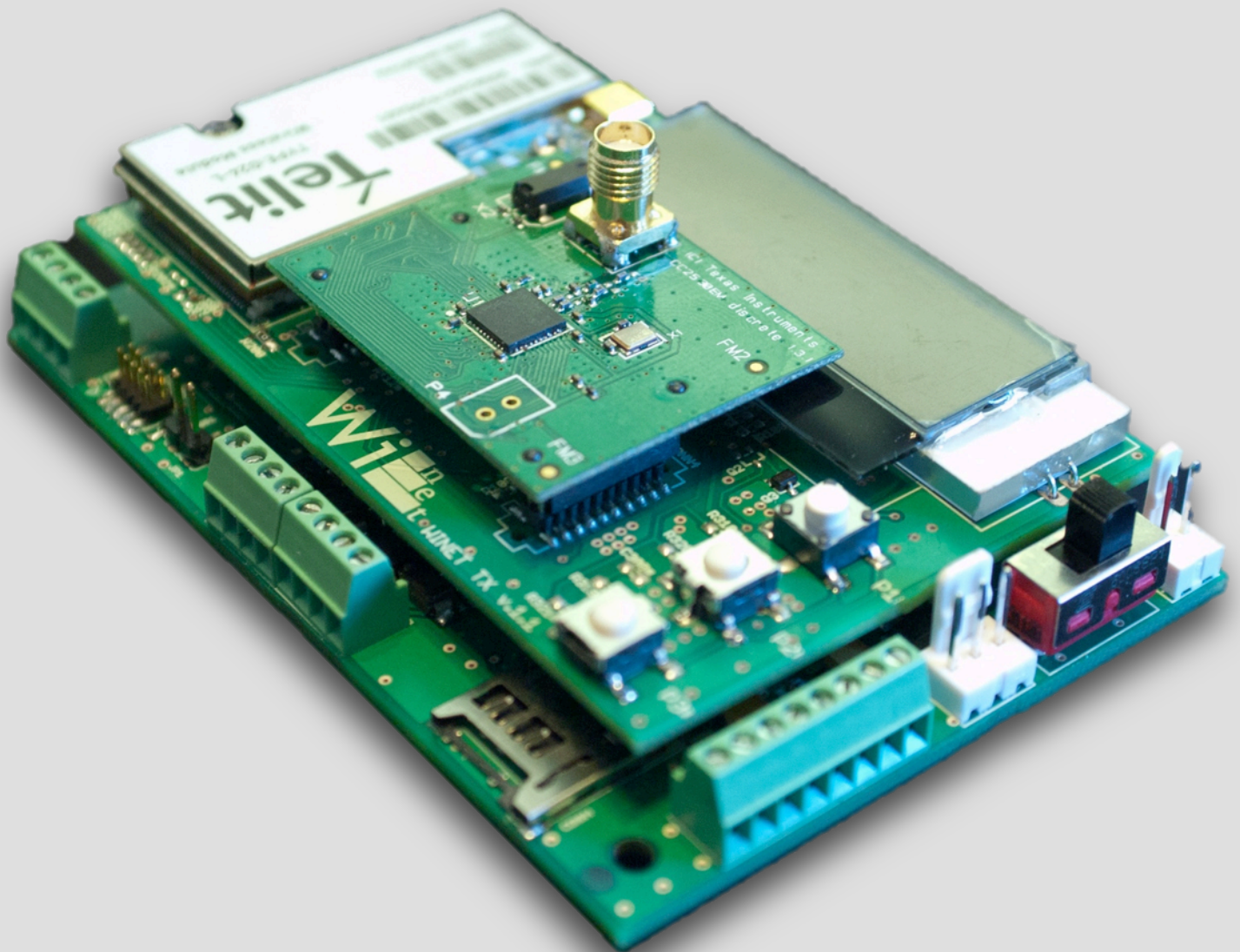


## Winet ON and GO!



**You just need to switch ON network nodes!**

## WinetTX – datasheet v1.0



Figure 1 - WinetTX

### General data:

- Suitable for rapid interface for WinetAQ/CC2530
- Telit G24L GPRS socket ready
- SIM Card reader
- 3.6V step-down modem voltage supply
- Low power display ( optional )
- Three configurable buttons ( optional )
- Ready for ATMega32 MCU

Dimensions: 85 x 57 x 15 mm

Temperature Range: [-10°C, +65°C]

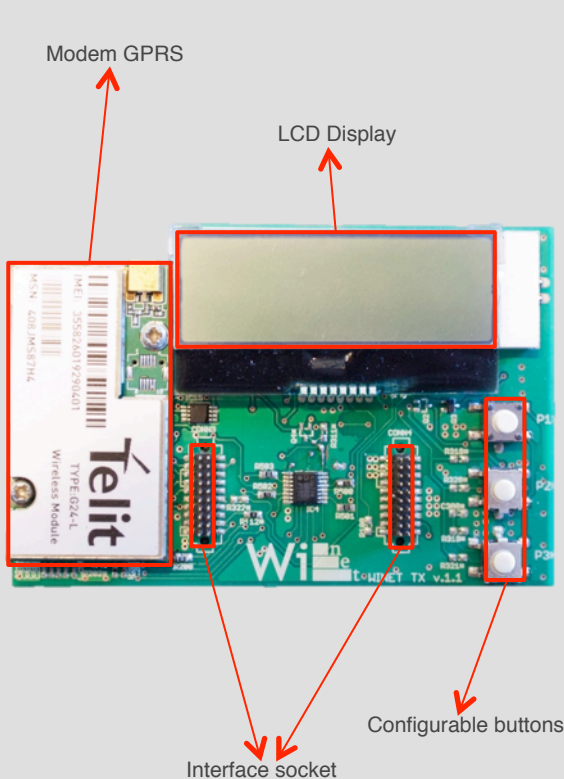


Figure 2 – WinetTX board top

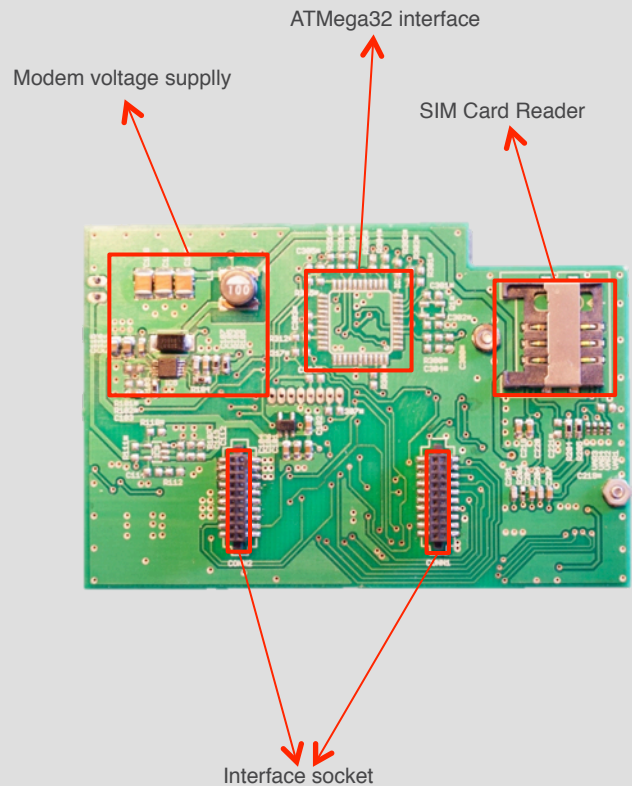


Figure 2 – WinetTX board bottom