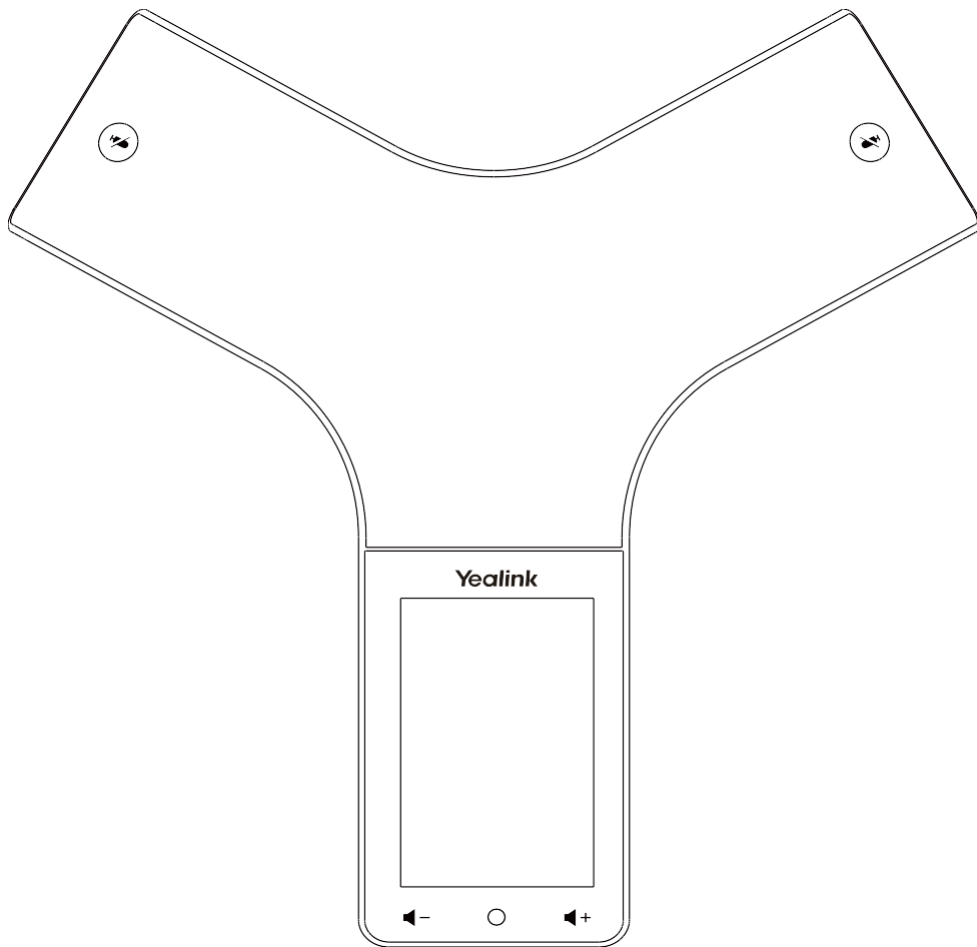


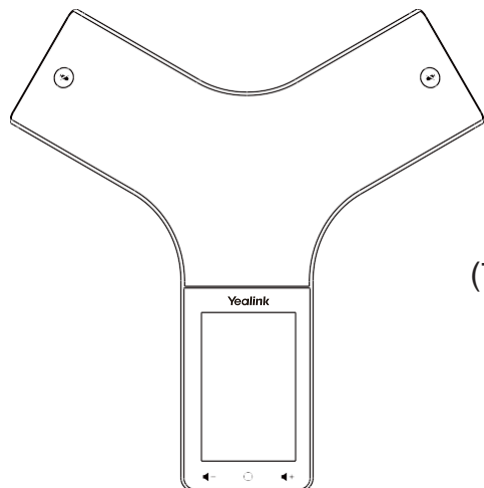
One Talk CP965

IP Conference Phone



Quick Start Guide

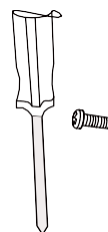
Package Contents



CP965



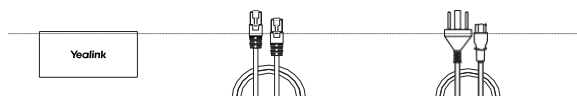
Ethernet Cable
(7.5m CAT5E UTP cable)



Screwdriver
and Screw

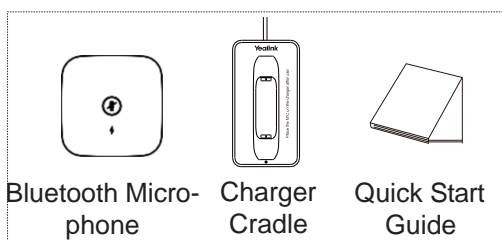


Quick Start
Guide



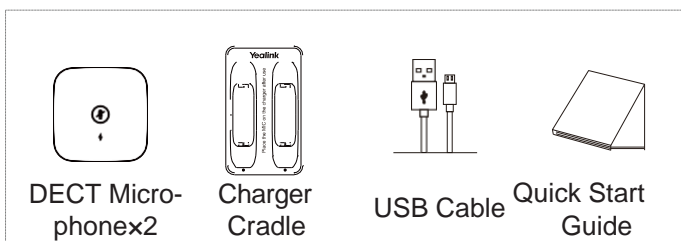
PSE Ethernet Cable
(2m CAT5E FTP cable) Power Cord

PoE Adapter YLPOE30
(Optional)



Bluetooth Micro-
phone Charger
Cradle Quick Start
Guide

Bluetooth Wireless Microphone
CPW25 (Optional)

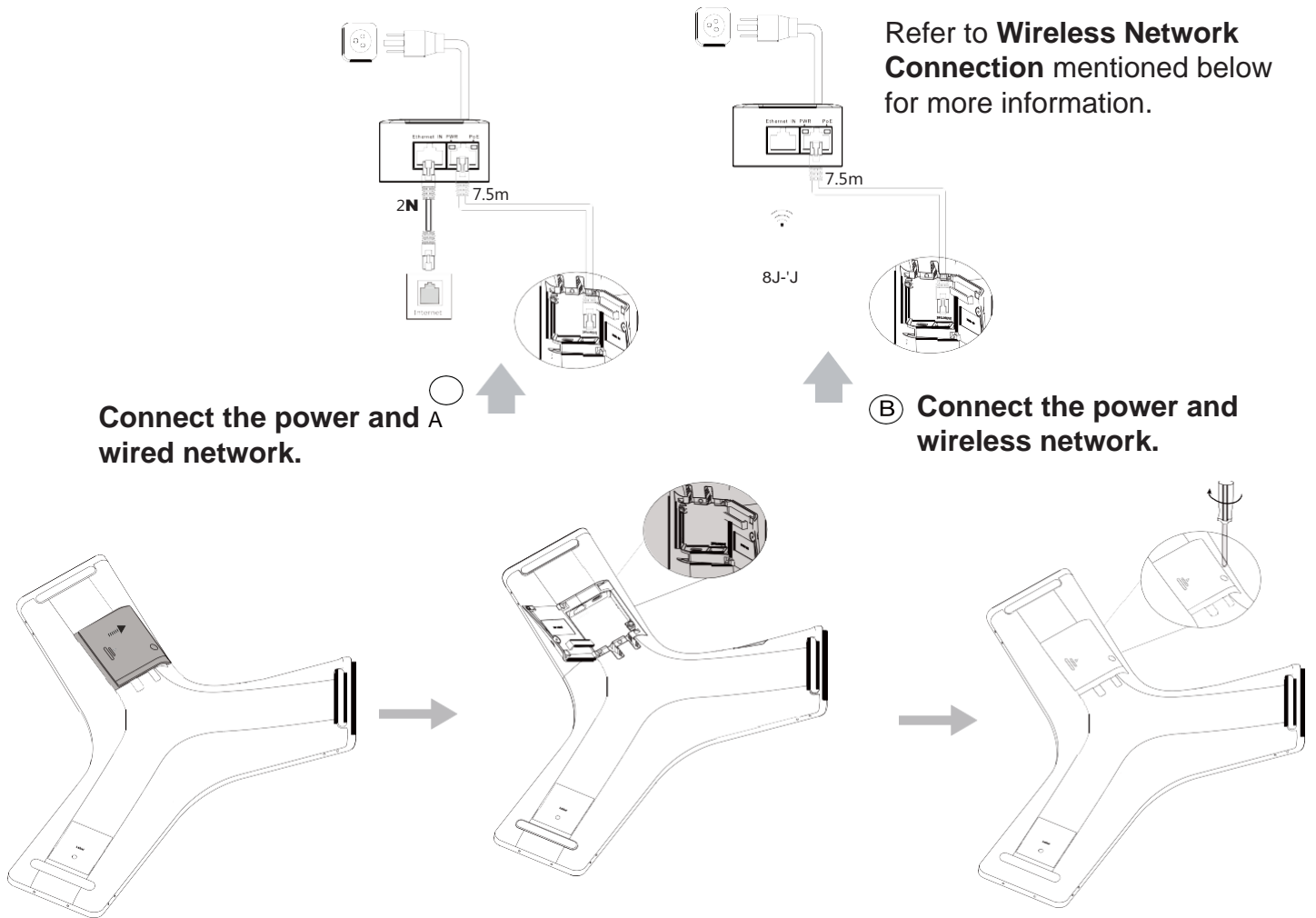


DECT Micro-
phonex2 Charger
Cradle USB Cable Quick Start
Guide

DECT Wireless Microphone
CPW65(Optional)

Note: We recommend that you use the accessories provided or approved by Yealink. The unapproved third-party accessories may result in reduced performance.

Assembling the Phone

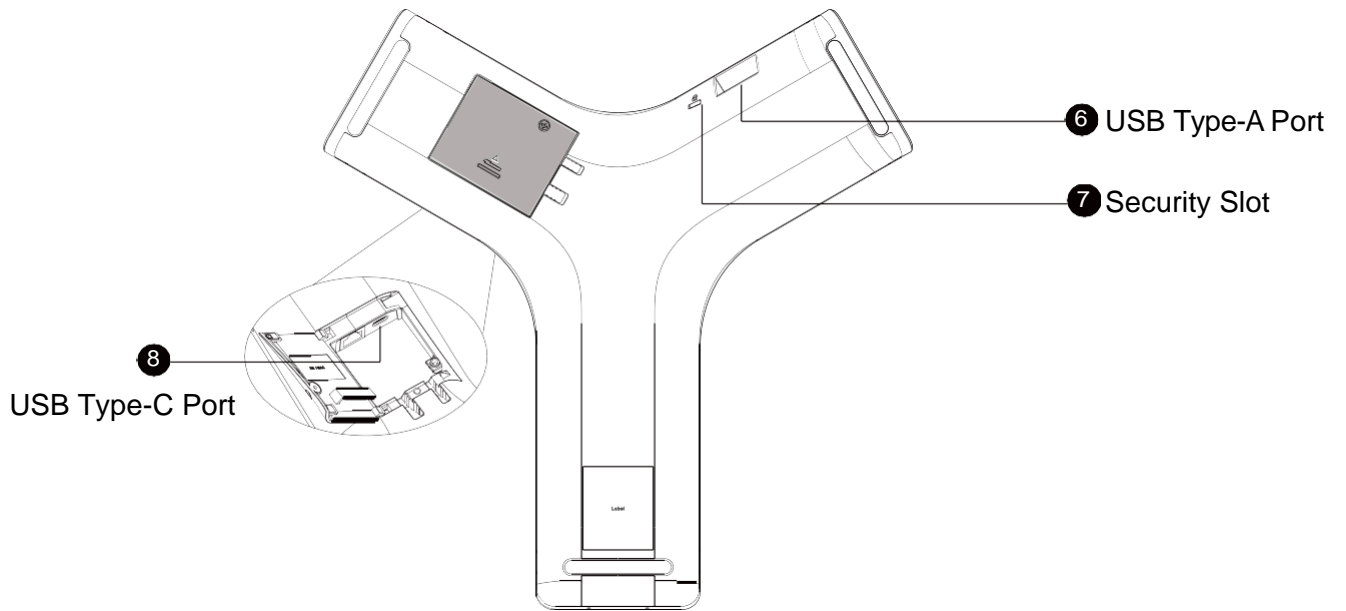
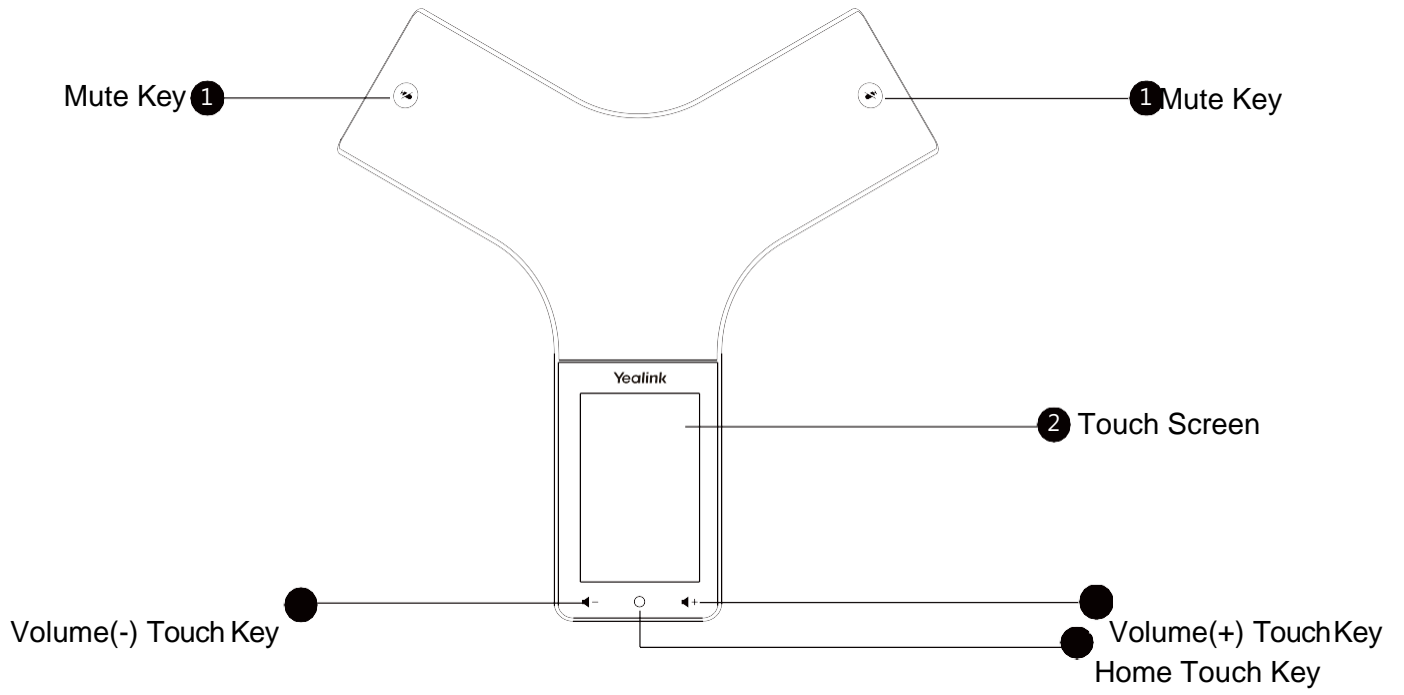


Note: The IP phone should be used with Yealink original PoE adapter (54V/0.56A) only. The use of the third-party PoE adapter may cause the damage to the phone.
The cable should be replaced at once if its skin is broken.

Wireless Network Connection

1. Swipe down from the top of the screen and long tap **Wi-Fi**, or tap **More->Settings->Wi-Fi**.
2. Turn **Wi-Fi** on.
The phone will automatically search for available wireless networks in your area.
3. Tap an available wireless network to connect.
4. If the network is secure, enter its password in the **Password** field, and then tap **Connect**.

Features



Regulatory Notices

Operating Ambient Temperatures

- Operating temperature: +14 to 122°F (-10 to 50°C)
- Relative humidity: 5% to 90%, noncondensing
- Storage temperature: -22 to +160°F (-30 to +70°C)