

# SADAR<sup>®</sup>-E

## REAL-TIME SUBSURFACE ACTIVITY DETECTION



SADAR<sup>®</sup>-E is an event-driven, seismic-acoustic monitoring technology solution that detects, classifies, locates, and tracks subsurface events of interest - automatically and in real-time. SADAR delivers greater range and accuracy with minimal uncertainty.

SADAR-E is a passive seismic acoustic system that persistently listens to a defined volume of earth for seismic sources of interest. SADAR-E uses phased arrays of seismic-acoustic sensors for three-dimensional detection of activities associated with micro-seismicity, hydraulic fracturing, groundwater and hydrogen storage, and carbon capture and storage.

### **THE SADAR<sup>®</sup> ANALYTIC SEQUENCE - Signal and Information Processing**

SADAR's coherent array processing offers several distinctive advantages. The already impressive performance of SADAR is enhanced by deploying a network of tuned SADAR arrays. A SADAR network adheres to a traditional event processing sequence of detect, associate, locate, and identify.

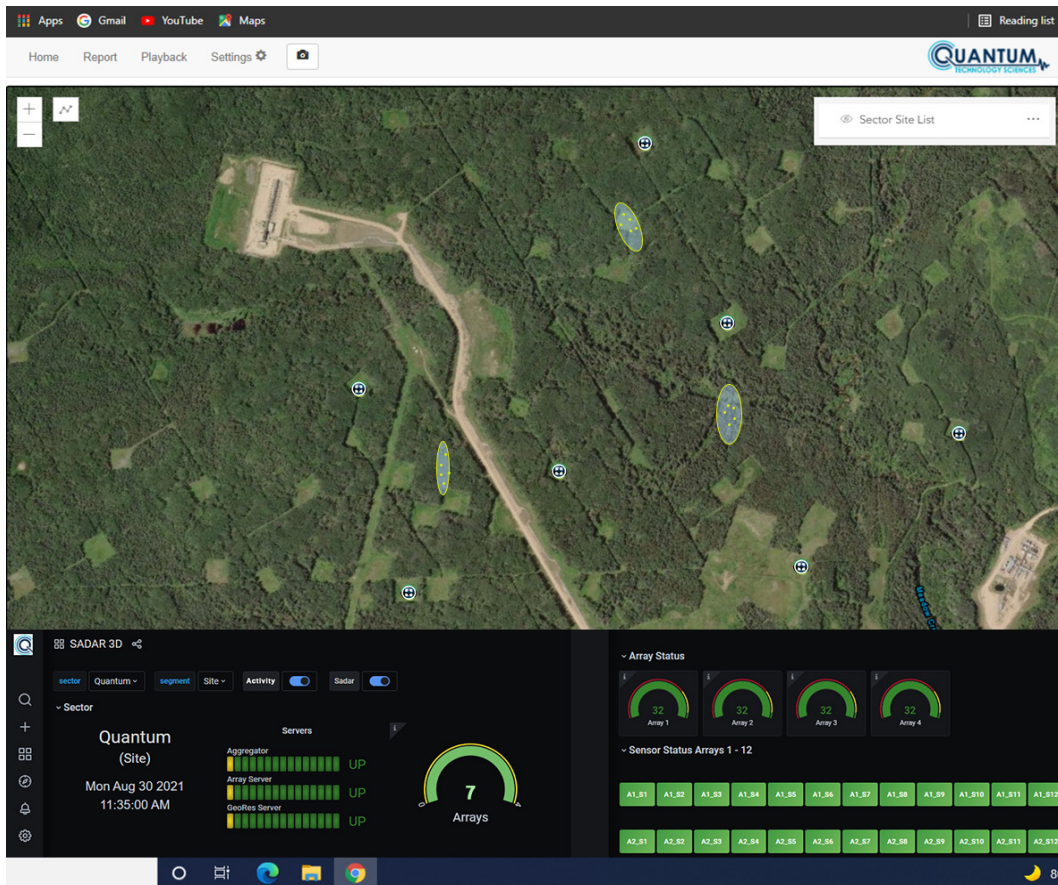
With the additional power of spatial analytics, SADAR operates simultaneously in both the time and frequency domains, while spatially filtering the persistent wavefield. This improves every aspect of analytic performance by exploiting the resulting enhanced signal-to-noise ratio (SNR) and three-dimensional direction-finding to the event.

# System Components

## GRAPHICAL USER INTERFACE

The user interface allows remote access to the system from a computer application or mobile device. It can graphically monitor the system as a whole or examine activities of individual SADAR-E arrays, as well as play back historical alerts. The user interface software provides an interactive map, a system state of health summary, and a message viewer.

The system automatically reports all events in real-time. At pre-programmed intervals, the system reports state-of-health messages to the monitoring device and record them internally. The monitoring device uses these reports to continuously update the user interface with the most current information.

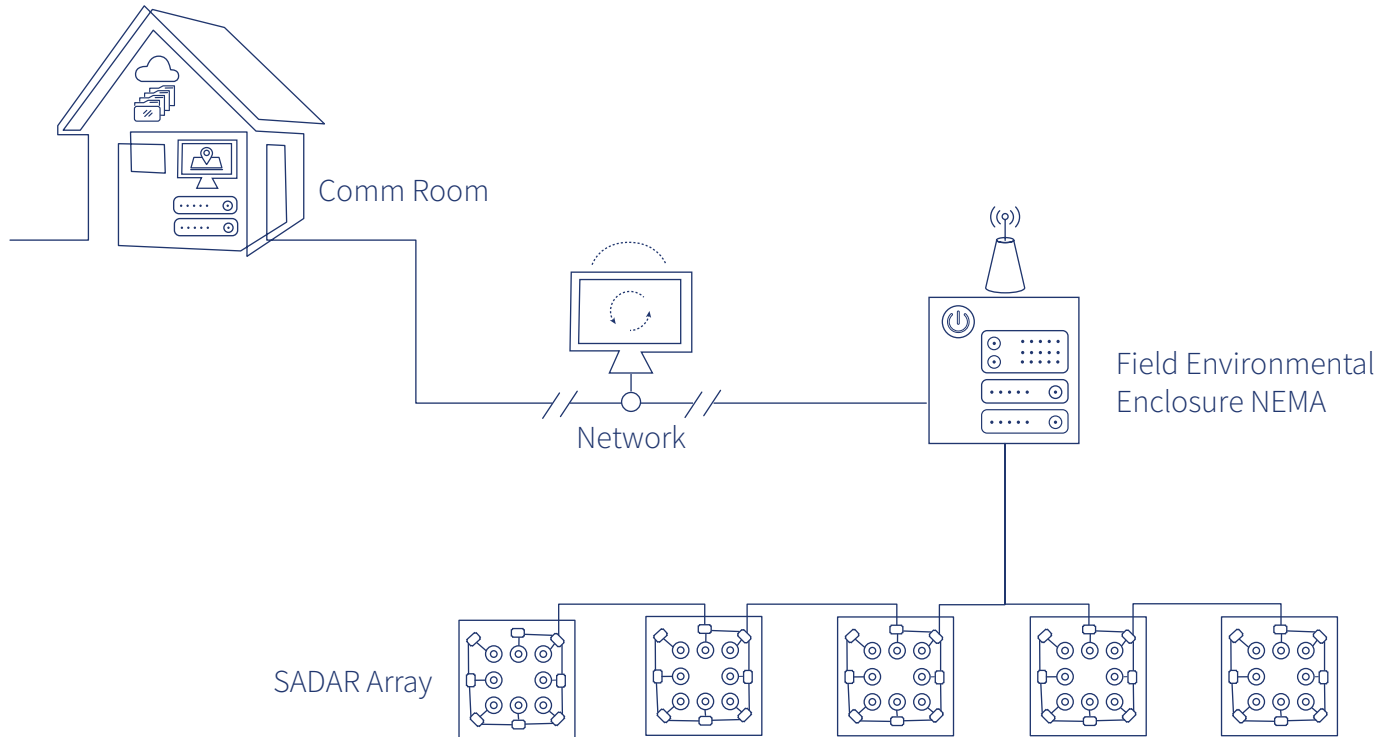


### User Interface Interactive Map Displays

- Array(s) location
- State-of-health status of individual SADAR arrays
- Detection, classification, and localization alerts

# System Components

## CONFIGURATION DIAGRAM



### Each SADAR-E system contains one or more of the following components:

- Ground Sensors
- Sensor Power Supply
- Mux/Demux and Line Conditioning Units
- Data Bunching and Conditioning Units
- Communication Devices
- Array Servers
- Aggregator Servers
- Timing Servers
- Data Storage Devices

# SADAR-E SPECIFICATIONS

## GeoRes S8 (Server)

19in Rack-Mount Chassis	4U
SADAR-E Array Line Support per Chassis	8
SADAR-E Arrays per Line	7
Operating Temperature	-20°C to 60°C
Input Voltage/Power	100-260 VAC, 10W
Array Power Supplied via 450-05290-xx	Passthrough
Dimensions	19 in (W) x 13.5 (D) x 7 in (H) 48.26 cm (W) x 34.29 cm (D) x 17.78 cm (H)
Weight	11 lbs/5 kg

## Geophone

### GS-ONE

### GS-ONE LF

Response Frequency	10 Hz, +/- 0.35 Hz	5 Hz, +/- 0.5 Hz
Spurious Frequency	240 Hz Typical	160 Hz Typical
Distortion at Vertical <sup>1</sup>	0.05% Typical	<0.10% Typical
Sensitivity with 20 kΩ load	2.00 V/in/s (78.7 V/m/s) Typical	2.27 V/in/s (89.4 V/m/s) Typical
Damping with 20 kΩ load	0.70 Typical	0.670 Typical
DC Resistance	1800 ohms +/- 5%	2450 ohms +/- 5%

<sup>1</sup>Distortion Measured @ 12 Hz with 0.7 in/s Pk-Pk Velocity

## Digitizer

Digitization	24-Bit Delta – Sigma
Sample Rate	0.5, 1, 2, 4 ms
Pre-amplifier Gains	0, 6, 12, 18, 24, 30, 36 dB
Maximum Input Signal for Sensor	26 mm/sec
Equivalent Input Noise	@ 2 ms sample rate 1.77 μmm/sec rms
Gain Accuracy	Better than 1%
Anti-alias Filter	83% Nyquist
Instantaneous Dynamic Range	124 dB @ 2 ms sample interval
Crossfeed Isolation	>90 dB
THD	<0.2%
System Timing Accuracy	GPS Disciplined Clock

7007 Pinemont Drive • Houston, Texas 77040 USA  
www.geospace.com • T: 713-986-4444 • F: 713-986-4445

**Geospace Technologies, Canada**  
2735 - 37th Avenue N.E.  
Calgary, Alberta,  
T1Y 5R8 Canada  
403 250-9600

**Geospace Technologies, China**  
Room 700, 7th Floor  
Lido Office Tower, Lido Place  
Jichang Road, Jiang Tai Road  
Beijing, 100004, P.R.China  
011 (86) 10 6437 8768

**Geospace Technologies**  
Sucursal Sudamericana  
Carrera 127-22 G 28 Int. 30  
Agrupación Industrial La Esperanza  
Bogotá, Colombia  
011-57-1-742-7414

**Geospace Technologies, Eurasia**  
Kirovogradskaya, 36  
Ufa, Baskortostan  
Russia 450001  
011 (7) 3472 25 39 73

**Geospace UK**  
F3 Bramingham Business Park,  
Enterprise Way, Luton  
Bedfordshire LU3 4BU, England  
011 44 (0) 7775 688 467