

## Product Highlights

### Power over Ethernet plus 10G/25G

#### 722XPM-48ZY8

- 48 x mGig (100M - 2.5Gb) RJ45 @ 60W
- Uplinks: 8x 25G
- MACsec (256-bit) support with downlink ports
- MACsec (256-bit) support with uplink ports

#### 722XPM-48Y4

- 48 x 10M-1GbE RJ45 @ 30W
- Uplinks: 4x 25G, 4 x10G
- MACsec (256-bit) support with downlink ports
- MACsec (256-bit) support with uplink ports

### MACsec 256bit

- AES static and dynamic MACsec
- 802.1x encryption

### Segmentation and Overlay

- 802.1Q VLANs
- IPv4/v6 VRFs
- VXLAN
- EVPN L2/3 (type 2/5)

### Traffic and Flow Monitoring

- Hardware accelerated monitoring
- sFlow and IPFIX
- FlowTracker to inventory devices and monitor conversations

### Cognitive Campus Resilience

- N+1 redundant power/cooling
- Active/Active MLAG aggregation
- Dynamic uplink load balancing
- SSU for software upgrades and hitless patching

### Arista Extensible Operating System (EOS®)

- Single binary image
- Fine-grained truly modular network OS
- Stateful Fault Containment (SFC)
- Stateful Fault Repair (SFR)
- Full access to Linux shell and tools
- Extensible platform - bash, python, C++ , GO, OpenConfig

## Overview

Designed for the demands of the interconnected IoT enabled campus, the CCS-722XPM series delivers wirespeed connectivity for all campus user workloads under the management and monitoring of Arista cognitive campus services. The Arista Cognitive Campus CCS-722XPM series switches can support MACsec on all ports. The CCS-722XPM offer a variety of connection options for user desktops, PoE appliances and IoT devices. Managed 802.3af/at/bt power services deliver up to 60W per RJ45 port and speeds ranging from 10Mbps to 2.5Gbps. A choice of 25G and 10G uplinks enable 100Mbps to 25Gbps deliver network design flexibility and scalability.



*Arista 722XPM Series PoE Switches*

Arista's common binary EOS provides a comprehensive, standards based, layer 2 and 3 feature set that includes EVPN virtualization and QoS services. EOS supports standards based 802.1X access control, and LLDP device identification services to automate admission and segmentation of users, appliances, plus all mission critical voice, video and general purpose applications in the campus. Together, Arista's family of switching and WiFi platforms are managed through a single Cognitive Campus management plane in CloudVision, providing sub-second real time telemetry, database archival and automated analytics to manage and monitor the infrastructure, users and applications in the Campus-Cloud Network.

## Cognitive Campus

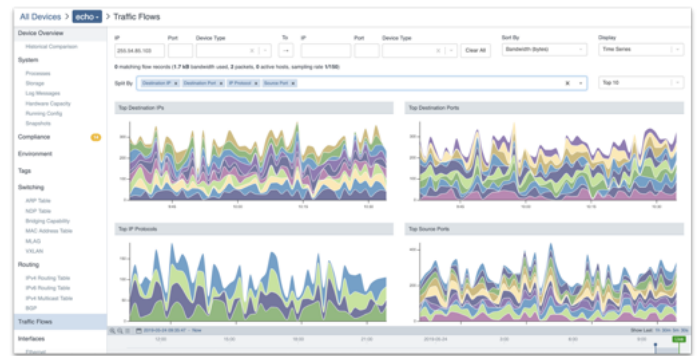
The Cognitive Management Plane (CMP) in Arista's EOS provides rich control and telemetry APIs used to simplify and automate the deployment, and maintenance of campus infrastructure while also providing real-time monitoring of campus users, applications and devices. As with all Arista platforms, EOS supports auto provisioning by way of Arista Zero Touch Provisioning (ZTP) to simplify device administration through CloudVision, or popular DevOps toolsets. In addition to legacy polling management, EOS CMP delivers real time telemetry to administrators using open gRPC/gNMI APIs used in OpenConfig, allowing administrators to create custom management tools.

## Arista EOS

The Arista 722XPM series runs the same Arista EOS software as all Arista products, simplifying network administration. Arista EOS is a modular switch operating system with a unique state sharing architecture that cleanly separates switch state from protocol processing and application logic. Built on top of a standard Linux kernel, all EOS processes run in their own protected memory space and exchange state through an in-memory database. This multi-process state sharing architecture provides the foundation for in-service-software updates and self-healing resiliency.

With Arista EOS, advanced monitoring and automation capabilities such as Zero Touch Provisioning, VMTracer and Linux based tools can be run natively on the switch.

Driving the campus CMP (Cloud Management Plane) in the CCS-722 is the FlowTracker hardware telemetry feature (IPFIX), native in the CCS-722 series non-blocking switching processor. FlowTracker delivers real time updates for all device state, performance statistics, and application flows, without burdening other system functions. Over a thousand unique flows can be concurrently tracked per switch, with hardware support to scale to 32K flows. Device fingerprinting features are also supported, allowing the 722XPM to identify connected device type, operating system and user id, helping facilitate security audits and workgroup/workload segmentation.

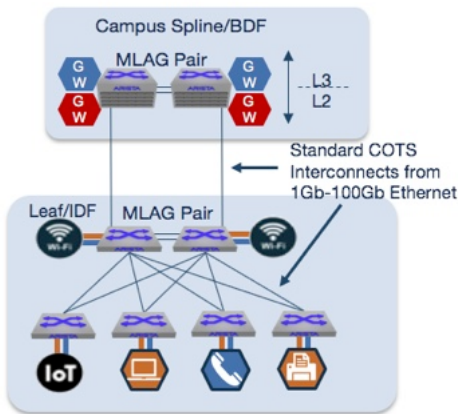
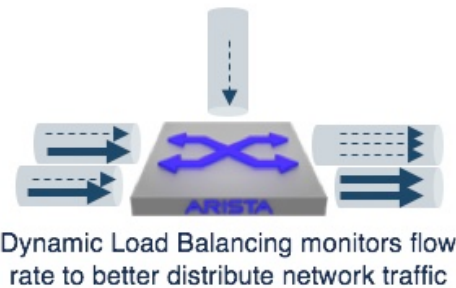


CloudVision Dashboard

With the rich telemetry of the CCS-722, Arista's CloudVision tracks application, user and device activity, measuring throughput and latency of key applications, user and device flows. CloudVision Device Analyzer (pictured above) baselines real time traffic to help alert administrators of performance or security outliers.

### Customizable Topologies for Optimized Performance

As with all Arista devices, the CCS-722 switches support open, standards based, L2 MLAG and L3 ECMP load balancing features. Administrators can employ either scheme to deliver high availability load sharing at the core building, or intermediate distribution frame. The CCS-722's Dynamic Load Balancing (DLB) feature improves on typical load sharing by dynamically tracking flow volumes and rebalancing them across shared links to optimize network utilization. DLB interoperates with other networking platforms, helping administrators improve the performance of their installed campus infrastructure.



The 722XPM uses standard RJ45, SFP+ and SFP25 interfaces for in closet and uplink interconnections, giving administrators the freedom to choose the right media type and speed that suits campus use cases and their budget. In addition to the variety of SFP25 and SFP+ copper and fiber modules that support speeds from 1Gb-25Gb are the 10G/25G multi-rate SFP optical modules. These optics allow administrators to invest in 25Gb but still run in 10Gb mode while connected to legacy infrastructure, thus simplifying campus migrations and reduce CapEx.

### Cognitive Segmentation

The CCS-722 series supports industry standard 802.1X and RADIUS authentication schemes, and interoperates with leading authentication solutions. Authorized users and devices can be automatically segmented into assigned 802.1Q or EVPN VXLAN segmented networks, facilitating infrastructure and data security. Wire-speed layer 3 VRF segmentation is also supported, giving administrators additional flexibility for supporting the most sophisticated campus use cases. The CCS-722 switches also help administrators with WiFi segmentation by providing hardware based VXLAN de-encapsulation of tunneled WiFi traffic.

### CloudVision

CloudVision is Arista's management plane solution for simplifying network operations. Built on a modern state-streaming architecture, CloudVision is a multi-function software platform that enables a suite of capabilities for automated provisioning, change control, continuous compliance, real-time telemetry, predictive analytics and 3rd party management plane orchestration. As a multi-domain solution, CloudVision is a single management platform across data center, campus, WiFi, multi-cloud, and routing interconnect use-cases. The same CloudVision software is offered as an on-prem appliance (virtual or physical) as well as CloudVision as-a-Service, which is a Arista-managed SaaS solution.

## Integrated MACsec Encryption

The CCS-722 Series supports encryption on all ports for dataplane security using industry standard MACsec encryption that avoids common threats including snooping in a zero trust environment. Every access port and uplink port supports 256 bit MACsec encryption, to secure communications between MACsec capable devices including Arista's MACsec capable WiFi access points and to the network campus core. MACsec is a separately licensed feature for each switch.

## Cognitive PoE for Mission Critical Services

Power efficiency, flexible options, power prioritization and constant PoE allow the CCS-722 series switches to support critical campus services like video security and emergency communications. 802.3af, at and bt power options deliver from 15-60W to RJ45 ports. The CCS-722 platinum rated power supplies, coupled with its low nominal consumption leaves an ample power budget for connected appliances and IoT devices. A choice of 650W or 1050W single or redundant AC power supply options allow administrators to customize power allocation and redundancy to meet their use cases and budget.

## Dynamic Power Management

Arista leverages state of the art switching and power management technology that not only delivers enhanced power delivery options supporting the latest standards, but does so more efficiently and reliably than standard PoE delivery, so administrators can support more devices cost effectively. Dynamic PoE management enhances power budgeting and allocation features to help economize power allocation to powered devices (PD) connected to each switch dynamically allocating PoE power based on priority settings. Load sharing Power Supplies allow customers to share a common PoE bank between the power supplies within a switch, optimizing unused power bank typically allocated for the board to power more PoE devices. Persistent PoE provides power to the powered device (PD) connected to a PoE port even when the Power Sourcing Equipment (PSE) is rebooting. With cognitive campus monitoring, power configuration and utilization are tracked in real time and archived, so administrators can accurately monitor and report service levels and infrastructure power demands

## Arista Optics and Cables

The Arista 722XPM series supports a wide range of 1G, 10G and 25G pluggable optics and cables. For details about the different optical modules and the minimum EOS Software release required for each of the supported optical modules, visit <https://www.arista.com/en/products/transceivers-cables>

## EOS Licensing

Arista 722XPM Series with EOS and CloudVision, are designed to provide flexibility both in the choice of the appropriate feature functionality and in the software consumption model. The base feature set of Arista EOS comes bundled with the Arista products and systems. A set of feature licenses are available to enable additional functionality in advanced feature sets. The traditional licensing procurement model employs a perpetual term for the right to use the feature, set at a fixed price. For Arista CloudVision the functionality is available as a monthly subscription, for an agreed upon term.

### **Routing:**

General Routing functionality (BGP, OSPF, Multicast, etc) is available in the EOS Enhanced (E) license. The EOS Flex-route (FLX) Lite license expands that to include key features like BGP-EVPN for VXLAN.

### **Automation/Visibility:**

CloudVision is the most complete offering for advanced automation and visibility. Arista also offers subsets of CloudVision Lite, for entry-level GUI functionality. CloudVision is offered as an on-premises appliance (virtual or physical appliance) or as a SaaS-based software application that is fully managed by Arista.

The EOS V2 license includes capability to run custom extensions natively or via containers in EOS. In addition, the V2 license gives customers an option of integrating with Arista's best of breed ecosystem for security, analytics, visibility, and other use-cases.

## Campus Overlay Scale

The CCS-722 series switches utilizes data center class virtualization features to provide hundreds of segmented networks to thousands of users and devices. In addition to 802.1Q VLANs, the CCS-722 delivers support for VXLAN overlay networks with CVX and EVPN control

### System Overview

#### Arista 722XPM-48ZY8

Provides:

- 48 x mGig (100M - 2.5GbE) RJ45 @ 60W
- Uplinks: 8 x 25G
- 640Gbps switching bandwidth
- MACsec performance of 100Gbps downlinks, 100Gbps uplinks



#### Arista 722XPM-48Y4

Provides:

- 48 x 10M - 1GbE RJ45 @ 30W
- Uplinks: 4 x 25G, 4 x 10G
- 376Gbps switching bandwidth
- MACsec performance of 50Gbps downlinks, 50Gbps uplinks



### Power supplies and Fans

Campus CCS-722 series switches support 1+1 redundant power supplies. The CCS-722 Series ship with one power supply by default, and a second power supply can be purchased initially or added at a later time to increase total power capacity and redundancy. If only one power supply is installed, it should always be in power supply bay #1. The switches also ship with three hot-swap field-replaceable fans.



*CCS-722XPM Rear (front to rear airflow)*



*PWR-621-AC-RED and PWR-1021-AC-RED  
(front to rear airflow)  
PWR-621-AC-BLUE (rear to front airflow)*



*FAN-7000 (front to rear)*

Power Supply Models	722XPM-48ZY8	722XPM-48Y4
Power Supplies Supported	650W 1050W 2000W 500W (DC)	650W 1050W 500W (DC)
Default Power Supply	1050W	1050W
System Power (Typical/Max)	134W/160W	83W/102W
Default Available PoE Power <sup>1</sup>	916W	967W
Single 650W AC PS <sup>1</sup>	516W/490W	567W/548W
Single 1050W AC PS <sup>1</sup>	916W/890W	967W/948W
Single 2000W AC PS <sup>1</sup>	1866W/1840W	-
Single 500W DC PS <sup>1</sup>	366W/340W	417W/398W
Dual 650W AC PS <sup>1</sup>	1069W/1043W	1120W/1101W
Dual 1050W AC PS <sup>1</sup>	1809W/1783W	1860W/1841W
Dual 2000W AC PS <sup>1</sup>	3666W/3640W	-
Dual 500W DC PS <sup>1</sup>	816W/790W	867W/848W

1. Net of system power

## Layer 2 Features

- 802.1w Rapid Spanning Tree
- 802.1s Multiple Spanning Tree Protocol
- Rapid Per VLAN Spanning Tree (RPVST+)
- 4096 VLAN IDs, 1024 active VLANs
- Q-in-Q
- 802.3ad Link Aggregation/LACP
- MLAG (Multi-Chassis Link Aggregation)
  - Uses IEEE 802.3ad LACP
- 802.1Q VLANs/Trunking
- 802.1AB Link Layer Discovery Protocol
- 802.3x Flow Control On Uplinks
- Jumbo Frames (9216 Bytes)
- IGMP v1/v2/v3 snooping
- Storm Control
- 802.1 AVB

## Layer 3 Features

- Routing Protocols: OSPF, OSPFv3, BGP, MP-BGP, IS-IS, and RIPv2
- 64-way Equal Cost Multi-path Routing (ECMP)
- Resilient ECMP Routes
- VRF
- Bi-Directional Forwarding Detection (BFD)
- Route Maps
- IGMP v2/v3
- PIM-SM / PIM-SSM / PIM-BiDiR
- Anycast RP (RFC 4610)
- VRRP
- Virtual ARP (VARP)
- Policy Based Routing (PBR)
- Unicast Reverse Path Forwarding (uRPF)
- GRE Tunnels

## Advanced Monitoring and Provisioning

- Latency Analyzer and Microburst Detection (LANZ)
- Configurable Congestion Notification (CLI, Syslog)
- Streaming Events (GPB Encoded)
- Capture/Mirror of congested traffic
- Zero Touch Provisioning (ZTP)
- Integrated packet capture/analysis with TCPDump
- Advanced Mirroring - Port Mirroring (4 sessions)
  - Enhanced Remote Port Mirroring
  - Mirror to CPU
  - L2/3/4 Filtering on Mirror Sessions
- Advanced Event Management suite (AEM)
  - CLI Scheduler
  - Event Manager
  - Event Monitor
  - Linux tools
- FlowTracker features
- RFC 3176 sFlow
- IPFIX support
- Restore & configure from USB
- Software Defined Networking (SDN)
  - Arista DirectFlow
  - eAPI
  - OpenStack Neutron Support

- IEEE 1588 PTP (Transparent Clock and Boundary Clock)

## Virtualization Support

- VXLAN Routing and Bridging
- VXLAN Tunnel Virtual Port Termination: 1K
- EOS CVX control plane
- EVPN type 2 and type 5

## Security Features

- 256bit MACsec
- MSS-G
- Service ACLs
- Control Plane Protection (CPP)
- Ingress / Egress ACLs using L2, L3, L4 fields
- Ingress / Egress ACL Logging and Counters
- MAC ACLs
- 802.1X Enhancements
  - Multi-Host 802.1X AUTH
  - MAC-Based AUTH (MAB)
  - Dynamic VLAN assignment
  - Named VLAN support
- ACL Deny Logging
- ACL Counters
- Atomic ACL Hitless restart
- DHCP Relay
- MAC access list security
- TACACS+
- RADIUS
- RadSec
- NDR switch sensor
- ARP trapping and rate limiting

## Quality of Service (QoS) Features

- Up to 8 queues per port
- 802.1p based classification
- DSCP based classification and remarking
- Explicit Congestion Notification (ECN)
- QoS interface trust (COS / DSCP)
- Strict priority queueing
- Weighted Round Robin (WRR) Scheduling
- ACL based DSCP Marking
- ACL based Policing
- Policing/Shaping
- Rate limiting

## PoE Capabilities

- LLDP enhancements for PoE including Media Endpoint Discovery (MED) attributes reporting
- PoE Controls
- VLAN for VoIP, QoS

## Network Management

- CloudVision
- Configuration session commit and rollback
- Smart System Upgrade (SSU)
- 100/1000 Management Port

- RS-232 Serial Console Port
- USB Port
- SNMP v1, v2, v3
- Management over IPv6
- Telnet and SSHv2
- Syslog
- AAA
- Industry Standard CLI
- Beacon LED for system identification
- System Logging
- Environment monitoring
- Maintenance mode

## Extensibility

- Linux Tools
  - Bash shell access and scripting
  - RPM support
  - Custom kernel modules
- Programmatic access to system state
  - Python
  - C++
  - Go
- Native KVM/QEMU support

## Standard Compliance

- 802.1D Bridging and Spanning Tree
- 802.1p QOS/COS
- 802.1Q VLAN Tagging
- 802.1w Rapid Spanning Tree
- 802.1s Multiple Spanning Tree Protocol
- 802.1AB Link Layer Discovery Protocol
- 802.3ad Link Aggregation with LACP
- 802.3x Flow Control
- 802.3u 100BASE-TX
- 802.3ab 1000BASE-T
- 802.3z 1000BASE-X
- 802.3bz 2.5/5GBASE-T
- 802.3ae 10 Gigabit Ethernet
- 802.3by 25 Gigabit Ethernet
- 802.3af/at 15W/30W Power over Ethernet (PoE)
- 802.3bt 60W Power over Ethernet (PoE)
- RFC 2460 Internet Protocol, Version 6 (IPv6) Specification
- RFC 2461 Neighbor Discovery for IP Version 6 (IPv6)
- RFC 2462 IPv6 Stateless Address Auto-configuration
- RFC 2463 Internet Control Message Protocol (ICMPv6) for the Internet Protocol Version 6 (IPv6) Specification
- IEEE 1588-2008 Precision Time Protocol
- 802.1AE: MAC Security (MACsec)

## SNMP

- RFC 3635 EtherLike-MIB
- RFC 3418 SNMPv2-MIB
- RFC 2863 IF-MIB
- RFC 2864 IF-INVERTED-STACK-MIB
- RFC 2096 IP-FORWARD-MIB
- RFC 4363 Q-BRIDGE-MIB

- RFC 4188 BRIDGE-MIB
- RFC 2013 UDP-MIB
- RFC 2012 TCP-MIB
- RFC 2011 IP-MIB
- RFC 2790 HOST-RESOURCES-MIB
- RFC 3636 MAU-MIB
- RMON-MIB
- RMON2-MIB
- HC-RMON-MIB
- LLDP-MIB
- LLDP-EXT-DOT1-MIB
- LLDP-EXT-DOT3-MIB
- ENTITY-MIB
- ENTITY-SENSOR-MIB
- ENTITY-STATE-MIB
- ARISTA-ACL-MIB
- ARISTA-QUEUE-MIB
- RFC 4273 BGP4-MIB
- RFC 4750 OSPF-MIB
- ARISTA-CONFIG-MAN-MIB
- ARISTA-REDUNDANCY-MIB
- RFC 2787 VRRPv2MIB
- MSDP-MIB
- PIM-MIB
- IGMP-MIB
- IPMROUTE-STD-MIB
- SNMP Authentication Failure trap
- ENTITY-SENSOR-MIB support for DOM (Digital Optical Monitoring)
- User configurable custom OIDs

## Table Sizes

Ingress / Egress Security ACL	2K / 512
MAC addresses	64K
IPv4/v6 Hosts	32K / 16K
IPv4/v6 Routes	16K / 6K
ECMP	64-way
STP Instances	64 (MST)/254 (RPVST+)
IGMP Groups	up to 4K

## Specifications

Feature/Model	722XPM-48ZY8	722XPM-48Y4
Ports	48 RJ45 8 25G SFP	48 RJ45 4 25G and 4 10G SFP
10M-1G UTP (30W) <sup>1</sup>	N/A	48
100M-2.5G UTP (60W) <sup>2</sup>	48	0
10G SFP	0	4
25G SFP	8	4
Throughput (2 way)	640Gbps (MACsec: 100Gbps down and 100Gbps up)	376Gbps (MACsec: 50Gbps down and 50Gbps up)
Packets/Second (2 way)	952 Mpps	559 Mpps
Latency (RJ-45)	1.2 microseconds	
CPU	Dual Core-x86	
System Memory	4GB	
System Flash	16GB	
Packet Buffer	8MB	4MB
USB Ports	1	
Console Ports	1	
100M/1G Management port	1	
Airflow	Front-Rear	Front-Rear Rear-Front
Power (Typical/Max excluding PoE) <sup>3</sup>	134W/160W	83W/102W
Size (WxHxD)	1U 17.5" x 1.75" x 16.8" (44.5 x 4.4 x 42.03cm)	1U 17.5" x 1.75" x 14.5" (44.5 x 4.4 x 36.37cm)
Weight	16.5 lbs (7.5kg)	15lbs (6.8kg)
Fans: 3 (N+1 redundant)	FAN-7000-F/R	FAN-7000-F/R
Maximum Power Supply	2	2
EOS License Group (LIC-FIX)	G3	G2
CloudVision License Group	G3	G2
Minimum EOS	4.27.2	4.27.2

1: 802.3af/at

2: 802.3bt

3: Nominal: 20% traffic @24C max:100% @46C



## Arista Optics and Cables

The Arista CCS-722 Series supports a wide range of 1G, 10G and 25G pluggable optics and cables in the SFP ports. For details about the different optical modules and the minimum EOS Software release required for each of the supported optical modules, visit <https://www.arista.com/en/products/transceivers-cables>

Multi-rate 10G/25G optics with extended reach for existing cable installations facilitate the easy migration from 10G to 25G with no changes to existing fiber cable plant.

### Supported Optics and Cables

10G		10G		25G		25G	
10GBASE-CR		SFP+ to SFP+: 0.5m-5m		25GBASE-CR		QSFP to SFP+: 1m-5m lengths	
10GBASE-AOC		SFP+ to SFP+: 3m-30m		25GBASE-AOC		SFP+ to SFP+: 3m-30m	
10GBASE-T		100m		25G-MR-XSR (10/25G Multirate)		up to 200M/300M over OM3/OM4	
10GBASE-SRL		100m		25GBASE-SR		70m	
10GBASE-SR		300m		25G-MR-LR (10/25G Multirate)		10km	
10GBASE-LRL		1km		25GBASE-LR		10km	
10GBASE-LR		10km					
10GBASE-ER		40km					
10GBASE-ZR		80km					
10GBASE-DWDM		80km					
100Mb TX, 1GbE SX/LX/TX		Yes					

## Environmental Characteristics

Operating Temperature <sup>1</sup>	0 to 40°C (32 to 104°F)
Storage Temperature	-40 to 70°C (-40 to 158°F)
Relative Humidity	5 to 95%
Operating Altitude	0 to 10,000 ft, (0-3,000m)
Measured sound (ISO 7779) declared (ISO 9296) at 50% & 100% power	Lwa (dB) 57.59/68.17 (1RU)

## Emissions and Safety Compliance

EMC FCC Class A, ICES-003, EN 55032, EN IEC 61000-3-2:2019, EN 61000-3-3

Immunity EN 55035  
EN 300 386

Safety EN 62368-1:2014 + A11:2017  
IEC-62368-1:2014

Certifications BSMI (Taiwan)  
CE (European Union)  
KCC (South Korea)  
NRTL (North America)  
RCM (Australia/New Zealand)  
UKCA (United Kingdom)  
VCCI (Japan)

European Union Directives 2014/53/EU Radio Equipment Directive  
2014/35/EU Low Voltage Directive  
2014/30/EU EMC Directive  
2012/19/EU WEEE Directive  
2011/65/EU RoHS Directive  
2015/863/EU Commission Delegated Directive

Further Information [Product Certification Portal](#)

## Power Supply Specifications

Power Supply	PWR-621-AC-RED PWR-621-AC-BLUE	PWR-1021-AC-RED
Output Power	650W	1050W
Input Voltage	100-240AC	100-240AC
Input Current	8 - 3.5A	12 - 5A
Input Frequency	50-60Hz	50-60Hz
Input Connector	IEC 60320 C16	IEC 60320 C16
Efficiency	80+ Platinum	80+ Platinum

1. Certain airflow configurations or the use of higher power or reduced temperature range optics may reduce maximum operating temperature.

Product Number	Product Description
CCS-722XPM-48ZY8-F	Arista 722XPM, 48x2.5G 60W POE, 8x25G SFP28 switch, front to rear air, MACsec, AC
CCS-722XPM-48ZY8-2F	Arista 722XPM, 48x2.5G 60W POE, 8x25G SFP28 switch, front to rear air, MACsec, AC (2)
CCS-722XPM-48ZY8#	Arista 722XPM, 48x2.5G 60W POE, 8x25G SFP28 switch, front to rear air, MACsec, Requires PSU/Fans
CCS-722XPM-48Y4-F	Arista 722XPM, 48x1G 30W POE, 4x25G, 4x10G SFP+ switch, front to rear air, MACsec, AC
CCS-722XPM-48Y4-2F	Arista 722XPM, 48x1G 30W POE, 4x25G, 4x10G SFP+ switch, front to rear air, MACsec, AC (2)
CCS-722XPM-48Y4#	Arista 722XPM, 48x1G 30W POE, 4x25G, 4x10G SFP+ switch, front to rear air, MACsec. Requires PSU/Fans.
CCS-722XPM-48ZY8-F-NA	Arista 722XPM, 48x2.5G 60W POE, 8x25G SFP28 switch, front to rear air, MACsec, AC, NA Power Cord
CCS-722XPM-48ZY8-2F-NA	Arista 722XPM, 48x2.5G 60W POE, 8x25G SFP28 switch, front to rear air, MACsec, AC (2), NA Power Cords
CCS-722XPM-48Y4-F-NA	Arista 722XPM, 48x1G 30W POE, 4x25G, 4x10G SFP+ switch, front to rear air, MACsec, AC, NA Power Cord
CCS-722XPM-48Y4-2F-NA	Arista 722XPM, 48x1G 30W POE, 4x25G, 4x10G SFP+ switch, front to rear air, MACsec, AC (2), NA Power Cords
CCS-722XPM-48ZY8-F-UK	Arista 722XPM, 48x2.5G 60W POE, 8x25G SFP28 switch, front to rear air, MACsec, AC, UK Power Cord
CCS-722XPM-48ZY8-2F-UK	Arista 722XPM, 48x2.5G 60W POE, 8x25G SFP28 switch, front to rear air, MACsec, AC (2), UK Power Cords
CCS-722XPM-48Y4-F-UK	Arista 722XPM, 48x1G 30W POE, 4x25G, 4x10G SFP+ switch, front to rear air, MACsec, AC, UK Power Cord
CCS-722XPM-48Y4-2F-UK	Arista 722XPM, 48x1G 30W POE, 4x25G, 4x10G SFP+ switch, front to rear air, MACsec, AC (2), UK Power Cords
CCS-722XPM-48ZY8-F-EU	Arista 722XPM, 48x2.5G 60W POE, 8x25G SFP28 switch, front to rear air, MACsec, AC, EU Power Cord
CCS-722XPM-48ZY8-2F-EU	Arista 722XPM, 48x2.5G 60W POE, 8x25G SFP28 switch, front to rear air, MACsec, AC (2), EU Power Cords
CCS-722XPM-48Y4-F-EU	Arista 722XPM, 48x1G 30W POE, 4x25G, 4x10G SFP+ switch, front to rear air, MACsec, AC, EU Power Cord
CCS-722XPM-48Y4-2F-EU	Arista 722XPM, 48x1G 30W POE, 4x25G, 4x10G SFP+ switch, front to rear air, MACsec, AC (2), EU Power Cords
CCS-722XPM-48ZY8-F-C14	Arista 722XPM, 48x2.5G 60W POE, 8x25G SFP28 switch, front to rear air, MACsec, AC, C14 Power Cord
CCS-722XPM-48ZY8-2F-C14	Arista 722XPM, 48x2.5G 60W POE, 8x25G SFP28 switch, front to rear air, MACsec, AC (2), C14 Power Cords
CCS-722XPM-48Y4-F-C14	Arista 722XPM, 48x1G 30W POE, 4x25G, 4x10G SFP+ switch, front to rear air, MACsec, AC, C14 Power Cord
CCS-722XPM-48Y4-2F-C14	Arista 722XPM, 48x1G 30W POE, 4x25G, 4x10G SFP+ switch, front to rear air, MACsec, AC (2), C14 Power Cords
CCS-722XPM-48ZY8-F-JPN	Arista 722XPM, 48x2.5G 60W POE, 8x25G SFP28 switch, front to rear air, MACsec, AC, JPN Power Cord
CCS-722XPM-48ZY8-2F-JPN	Arista 722XPM, 48x2.5G 60W POE, 8x25G SFP28 switch, front to rear air, MACsec, AC (2), JPN Power Cords
CCS-722XPM-48Y4-F-JPN	Arista 722XPM, 48x1G 30W POE, 4x25G, 4x10G SFP+ switch, front to rear air, MACsec, AC, JPN Power Cord
CCS-722XPM-48Y4-2F-JPN	Arista 722XPM, 48x1G 30W POE, 4x25G, 4x10G SFP+ switch, front to rear air, MACsec, AC (2), JPN Power Cords

Product Number	Product Description
LIC-FIX-G2-MACSEC	MACSEC Encryption License for Arista Fixed 1G/mG Group 2 Ethernet Switches, MACSEC capable ports
LIC-FIX-G3-MACSEC	MACSEC Encryption License for Arista Fixed 1G/mG Group 3 Ethernet Switches, MACSEC capable ports
LIC-FIX-G2-E	Enhanced License for Arista Fixed 1G/mG Group 2 Ethernet Switches (OSPF, ISIS, BGP, PIM)
LIC-FIX-G3-E	Enhanced License for Arista Fixed 1G/mG Group 3 Ethernet Switches (OSPF, ISIS, BGP, PIM)
LIC-FIX-G2-FLX-L	FLX-Lite License for Arista Fixed 1G/mG Group 2 Ethernet Switches - Full Routing upto 32K routes, EVPN, VXLAN (includes E Features)
LIC-FIX-G3-FLX-L	FLX-Lite License for Arista Fixed 1G/mG Group 3 Ethernet Switches - Full Routing Up to 32K Routes, EVPN, VXLAN (includes E Features)
LIC-FIX-G3-FLX	FLX License for Arista Fixed 1G/mG Group 3 Ethernet Switches - OSPF, ISIS, BGP/MP-BGP, PIM, 32K - 200K Routes, EVPN, VXLAN
LIC-FIX-G2-V2	EOS Segmentation and 3rd Party Integration Services license for Arista Fixed 1G/mG Group 2 Ethernet Switches
LIC-FIX-G3-V2	EOS Segmentation and 3rd Party Integration Services license for Arista Fixed 1G/mG Group 3 Ethernet Switches
SS-CV-G2-SWITCH-1M	CloudVision Subscription Lic for 1-Month for 1 Switch. Arista 1G/mG. Group 2 Platforms. Delivered via download only. Includes E, FLX-L
SS-CV-G3-SWITCH-1M	CloudVision Subscription Lic for 1-Month for 1 Switch. 1G/mG Group 3 Platforms. Delivered via download only.
SS-CV-LT-G2-SWITCH-1M	CloudVision Lite Subscription Lic for 1-Month for 1 Switch. Arista Fixed 1G/mG Group 2 Platforms. Delivered via download only.
SS-CV-LT-G3-SWITCH-1M	CloudVision Lite Subscription Lic for 1-Month for 1 Switch. Arista Fixed 1G/mG Group 3 Platforms. Delivered via download only.
SS-CVS-G2-SWITCH-1M	CloudVision as-a-Service Subscription Lic for 1-Month for 1 Switch. Arista Fixed 1G/mG Group 2 Platforms. Includes E, FLX-L.
SS-CVS-G3-SWITCH-1M	CloudVision as-a-Service Subscription Lic for 1-Month for 1 Switch. Arista Fixed 1G/mG Group 3 Platforms.
SS-CVS-LT-G2-SWITCH-1M	CloudVision Lite as-a-Service Subscription Lic for 1-Month for 1 Switch. Arista Fixed 1G/mG Group 2 Platforms.
SS-CVS-LT-G3-SWITCH-1M	CloudVision Lite as-a-Service Subscription Lic for 1-Month for 1 Switch. Arista Fixed 1G/mG Group 3 Platforms.
SS-CVSC-G2-SWITCH-1M	CloudVision CUE as-a-Service Subscription Lic for 1-Month for 1 Switch. Arista Fixed 1G/mG Group 2 Platforms.
SS-CVSC-G3-SWITCH-1M	CloudVision CUE as-a-Service Subscription Lic for 1-Month for 1 Switch. Arista Fixed 1G/mG Group 3 Platforms.

Product Number	Product Description
PWR-621-AC-RED	Spare 650 Watt AC power supply for Arista 722XPM 1RU Switches (front-to-rear airflow)
PWR-1021-AC-RED	Spare 1050 Watt AC power supply for Arista 722XPM 1RU Switches (front-to-rear airflow)
PWR-2021-AC-RED	Spare 2000 Watt AC power supply for Arista 722XPM 1RU Switches (front-to-rear airflow)
PWR-621-AC-BLUE	Spare 650 Watt AC power supply for Arista 722XPM 1RU Switches (rear-to-front airflow)
PWR-521-DC-RED	Spare 500W DC power supply for Arista 722XPM 1RU Switches (front-to-rear airflow)
FAN-7000-F	Spare fan module for Arista 722XPM, 7150, 7050X, and 7280 switches (front-to-rear airflow)
FAN-7000-R	Spare fan module for Arista 722XPM, 7150, 7050X, and 7280 switches (rear-to-front airflow)
CCS-722-PCVR	Spare Blank Cover for 720 Series Power Supply Slot
KIT-CCS-722-1RU	Spare accessory kit for Arista 720XPM 1RU Series switches
KIT-7010-4POST	Spare 4-post rack mount kit for 7010T, 720 and 722 switches
KIT-7010-2POST-23	Spare 2-post 23" rack mount kit for 7010T, 720 and 722 switches
CAB-C15-AUS	Power Cord, Australia, C15 to AS/NZS 3112, 8 Feet (2.5m)
CAB-C14-C15	Power Cord C15 to C14 (2m)
CAB-C15-EUR	Power Cord, Europe, C15 to CEE 7/7, 8 Feet (2.5m)
CAB-C15-IT	Power Cord, Italy, C15 to CEI 23-16, 8 Feet (2.5m)
CAB-C15-UK	Power Cord, United Kingdom, C15 to BS 1363/A, 8 Feet (2.5m)
CAB-C15-NA	Power Cord, North America, C15 to NEMA 5-15P, 8 Feet (2.5m)
CAB-C15-JPN	Power Cord, JAPAN, C15 to NEMA5-15P, 12A/125V, 1.25mm <sup>2</sup> , 1.8M, PSE
CAB-C15-ISR	Power Cord, Israel, C15-SI32, 10A/250V, 1.00mm <sup>2</sup> , 2.5M
CAB-C15-CHN	Power Cord, China, C15-GB2099, 10A/250V, 1.00mm <sup>2</sup> , 2.5M, CCC
CAB-C15-IND	Power Cord, India, C15-IA16A3, 10A/250V, 1.00mm <sup>2</sup> , 2.5M
CAB-C15-BRZ	Power Cord, Brazil, C15-NBR14136, 10A/250V, 1.00mm <sup>2</sup> , 2.5M
CAB-C15-SWZ	Power Cord, Swiss, C15-SEV1011, 10A/250V, 1.00mm <sup>2</sup> , 2.5M
CAB-C15-ARG	Power Cord, Argentina, C15-IRAM2073, 10A/250V, 1.00mm <sup>2</sup> , 2.5M

## Warranty

The Arista CCS-722 switches come with a one-year limited hardware warranty, which covers parts, repair, or replacement with a 10 business day turnaround after the unit is received.

## Service and Support

Support services including next business day and 4-hour advance hardware replacement are available. For service depot locations, please see: <http://www.arista.com/en/service>

### Headquarters

5453 Great America Parkway  
Santa Clara, California 95054  
408-547-5500

### Support

[support@arista.com](mailto:support@arista.com)  
408-547-5502  
866-476-0000

### Sales

[sales@arista.com](mailto:sales@arista.com)  
408-547-5501  
866-497-0000