

**KONAMI**®



**6 Player**

THE UNCANNY X-MEN and all Marvel characters: TM & copyright © 1992  
Marvel Entertainment Group, Inc. All Rights Reserved. © 1992 Konami.  
All Rights Reserved.

© Konami Inc. 1991 Konami® is a trademark of Konami Co., Ltd.

**Service & Parts**

**708-215-5100**

Jerry Korbecki (Service Manager) ext. 122

Bob Arauz ext. 123

George Limonez ext. 123

# **INSTRUCTION MANUAL**

*KONAMI® is a trademark of Konami Industry Co., Ltd.*

Part No. 065400

## X-MEN 6 PLAYER PARTS LIST

---

Part #	Description
065003	X-MEN P.C.B. 6 Player
065100	X-MEN Control Panel 6 Player
065101	X-MEN Coin Door Decal
065200	X-MEN Marquee 6 Player
065300	Top Right Side Decal
065301	Top Left Side Decal
065302	X-MEN Logo Side Decal
065303	Middle Left Side Decal
065304	Bottom Right Side Decal
065305	Bottom Left Side Decal
065306	Front Decal
065307	Middle Right Side Decal
065700	Lower Bezel Decal
065701	X-MEN Monitor Top Bracket
065702	X-MEN Marquee & Mirror Bracket
065703	X-MEN Shelf Bracket
065704	X-MEN Corner Bracket
065705	X-MEN Monitor Glass Z-Bracket
065706	X-MEN Monitor Mount Bracket
065707	X-MEN Top Mirror Bracket
065708	X-MEN Control Panel Hinge
065709	X-MEN Bottom Marquee Bracket
30254	White Micro Button
30255	Red Micro Button
30256	Yellow Micro Button
30258	Blue Micro Button
30261	Micro Switch
30262	Micro Palnuts
30323	Red Micro Joystick
30324	Blue Micro Joystick
30325	Yellow Micro Joystick
30326	Wine Red Micro Joystick
30327	Sky Blue Micro Joystick
30328	Violet Micro Joystick
35201	I.S.O. Trans
35404	Complete Power Supply
40123	Coin Door 3 Slot with Meter
40124	Coin Door 3 Slot without Meter
40358	2-Way Mirror 48-24
40359	Monitor Glass 48-24.5
40360	Marquee Glass 48-8.5
40524	25 Inch Monitor R.D.S.N.

# X-MEN 6 PLAYER TECHNICAL INFORMATION

---

## TECHNICAL INFORMATION

---

- (1) Required power capacity  
GND-Vcc 5V 6A or more  
GND-(+12V)  
\*See the Wiring Diagram.
- (2) Output  
R (red) analog, positive  
G (green) analog, positive  
B (blue) analog, positive  
SYNC. H-V complexed, negative
- (3) There is no sound volume knob on the PCB. Sound level should be adjusted in the Manual Test mode. (See page 6.)
- (4) Handle with care.

## PLAY INSTRUCTION

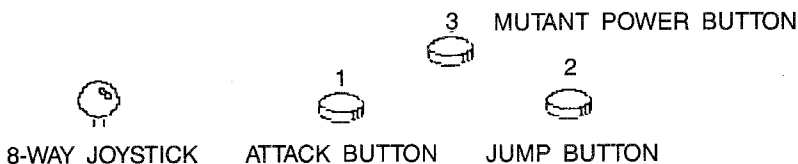
---

- 1 to 6 players can play at the same time.
- Choose the character you want to control out of the six individual X-MEN: Cyclops, Colossus, Wolverine, Storm, Nightcrawler and Dazzler.
- Deposit coins into the coin slot of the character you want and press ATTACK, JUMP or MUTANT POWER button to start.
- Control your character's movement using the 8-way joystick and attack enemies with ATTACK button. Press ATTACK button repeatedly to punch, kick, throw, back-attack the enemies. Use JUMP button to avoid enemy attack or defeat enemies from the air. Pressing JUMP button longer makes higher jump.
- Press ATTACK button while in the air for a flying attack.
- Press MUTANT POWER button to use a powerful Mutant Power of each individualistic character.
- Use of Mutant Power will consume 3 units of energy. When the energy left is less than 3 units, a power ball will be consumed instead. A bonus power ball can be obtained for defeating the boss enemy of each stage.
- Your energy will also be consumed when attacked by enemies. When it is used up, you will lose one life. The game is over when you have lost all the lives.
- There are 8 stages in all. You can continue the game as many times as you want. Any player can join at any time.

## CONTROL PANEL LAYOUT

---

Control panel should be equipped with six sets of an 8-way joystick and three function buttons.



## SELF TEST

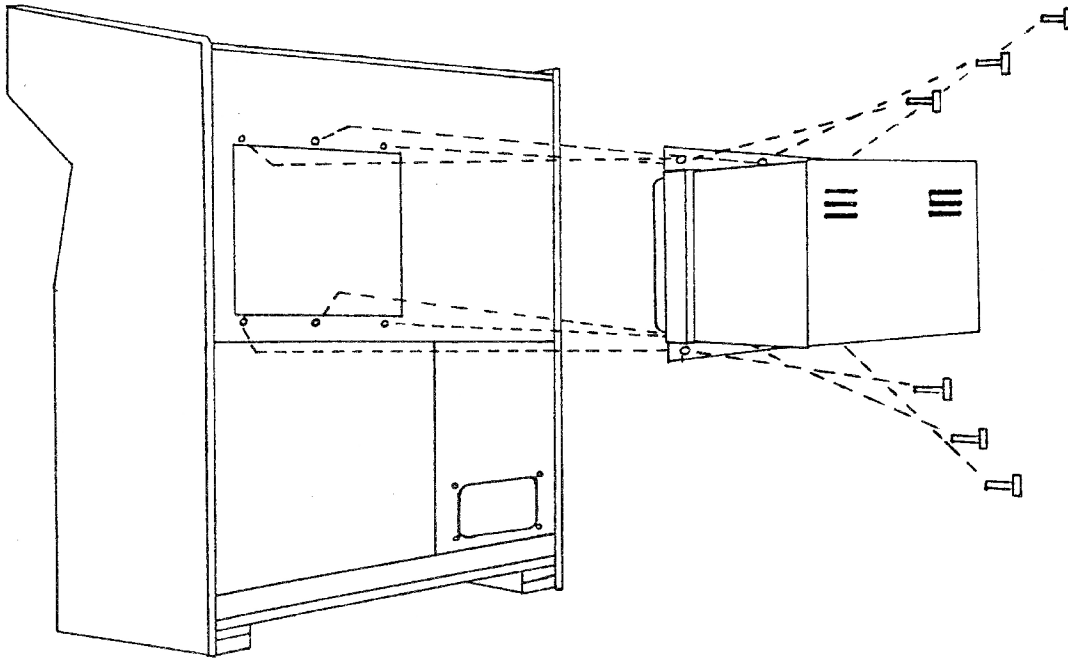
---

Normal: "OK" will be displayed. Then the game will start.

Abnormal: "BAD" will be displayed and self test will repeat. If "16B BAD" is displayed, switch off and switch on again with TEST SWITCH (on the PCB) pressed.

## X-MEN 6 PLAYER CABINET ASSEMBLY

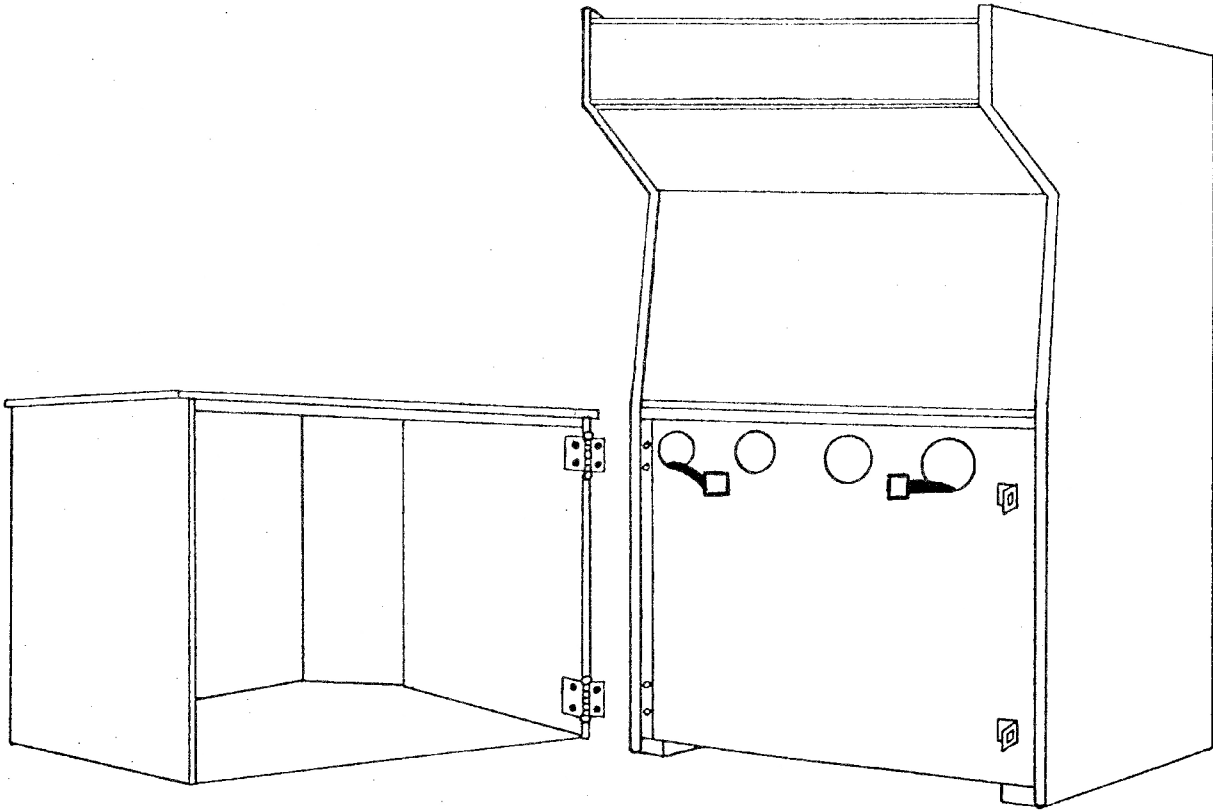
---



1. Remove back service door with a phillips head screwdriver.
2. Remove shipping cover from the rear of the cabinet.
3. The rear monitor is shipped inside of the main cabinet and should be unfastened by using a 7/16 inch nut driver.
4. Remove the back service door from the monitor box. There are 3 sets of wires and one ground strap that must be fed through the front opening so electrical connections can be made after the rear monitor is fastened to the cabinet.
5. Using 6 bolts fasten rear monitor to main cabinet (as seen above). This is a TWO PERSON JOB. A 1/2 inch nut driver will be required.
6. Reach in and connect the wiring.
  - 1—2 wire connector (A.C.)
  - 1—5 wire connector (R.G.B.)
  - 1—13 wire connector (up front monitor adjustments)
  - 1—ground strap

## X-MEN 6 PLAYER CABINET ASSEMBLY

---



1. Using the hinges bolted to the control panel box, attach them to the main cabinet with a 7/16 nut driver.
2. There are 4 electrical connections and one ground strap
  - 1—Attach ground strap to wing nut
  - 2—Attach the 6 position AMP connectors (R.G.B.)
  - 3—Attach the 9 position Molex connector (power)
  - 4—Attach the 4 position J.S.T. connector to the X-MEN PCB top right hand side (speakers)
  - 5—Attach the 6 position J.S.T. connector to the X-MEN PCB top left hand side (R.G.B.) (next to the 6th player control panel wires).
3. Latch the control panel box to the main cabinet via the coin door.

# X-MEN 6 PLAYER WIRING HARNESS

		← Solder Side	Parts Side →		
BLACK	GND	A	1	GND	BLACK
BLACK	GND	B	2	GND	BLACK
RED	+5V DC	C	3	+5V DC	RED
RED	+5V DC	D	4	+5V DC	RED
	NOT USED	E	5	NOT USED	
ORANGE	+12V DC	F	6	+12V DC	ORANGE
	*KEY	H	7	*KEY	
	(EMPTY)	J	8	COIN COUNTER	GREEN/VIOLET
	(EMPTY)	K	9	(EMPTY)	
	(EMPTY)	L	10	(EMPTY)	
	(EMPTY)	M	11	(EMPTY)	
WHITE/GREEN	VIDEO GREEN	N	12	VIDEO RED	RED/WHITE
WHITE	VIDEO SYNC	P	13	VIDEO BLUE	BLUE/WHITE
	(EMPTY)	R	14	VIDEO GROUND	BLACK
	(EMPTY)	S	15	TEST SWITCH	YELLOW
WHITE/VIOLET	COIN 2	T	16	COIN 1	BLUE/VIOLET
	NOT USED	U	17	NOT USED	
BLUE/YELLOW	2P UP	V	18	1P UP	ORANGE/WHITE
VIOLET/YELLOW	2P DOWN	W	19	1P DOWN	BLACK/WHITE
ORANGE/GREEN	2P LEFT	X	20	1P LEFT	RED/GRAY
ORANGE/YELLOW	2P RIGHT	Y	21	1P RIGHT	WHITE/GRAY
BLACK/YELLOW	2P ATTACK	Z	22	1P ATTACK	RED/WHITE
ORANGE/GRAY	2P JUMP	a	23	1P JUMP	GREEN/ORANGE
ORANGE	2P MUTANT POWER	b	24	1P MUTANT POWER	RED/BLUE
	NOT USED	c	25	NOT USED	
	NOT USED	d	26	NOT USED	
BLACK	GND	e	27	GND	BLACK
BLACK	GND	f	28	GND	BLACK

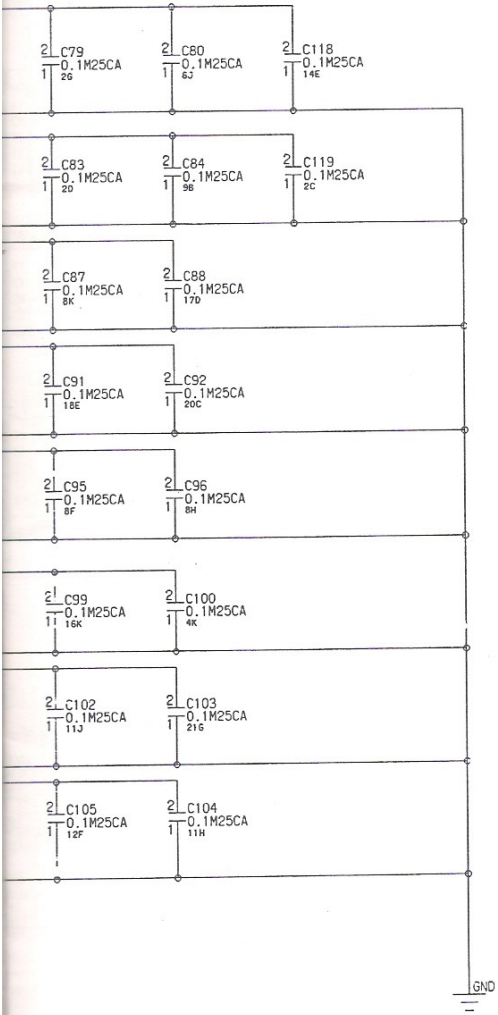
(BASE COLOR/LINE COLOR)

5

6

7

8



88 CN11  
DIN64SS



88 CN10  
B4P-SHF-1AA



88 CN9  
B15P-SHF-1AA



88 CN8  
B15P-SHF-1AA



88 CN7  
B15P-SHF-1AA



88 CN6  
B15P-SHF-1AA



88 CN5  
B6P-SHF-1AA



88 CN4  
DIN64SS



88 CN3  
DIN64SS



88 CN2  
DIN64SS



88 CN1  
JAMMA



A

B

C

D

E

F



KONAMI CO., LTD.

DRAWING

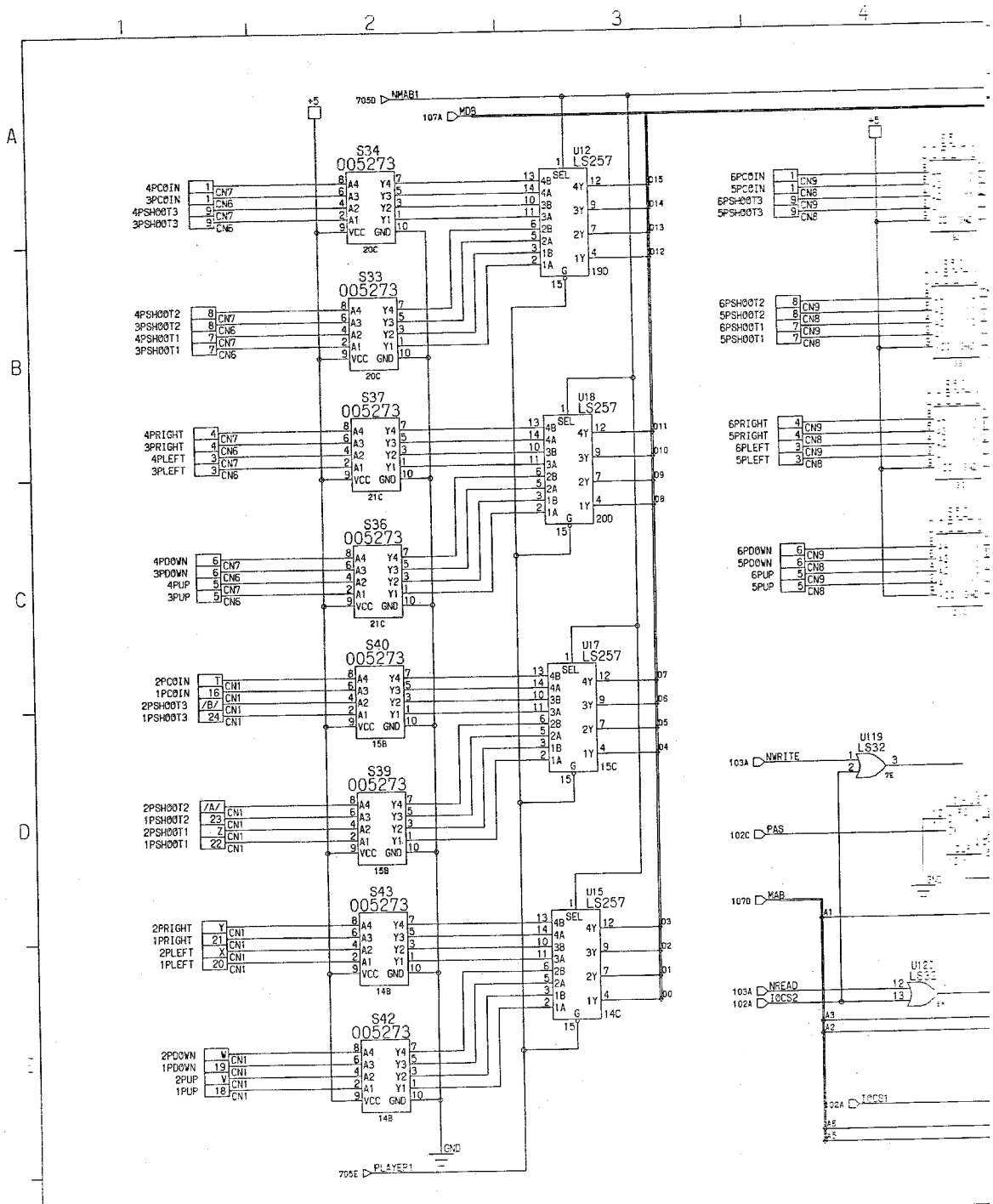
DESIGN	H. MATSUURA	TITLE	GX065-6P
DRAW	H. MATSUURA	SUBTITLE	90POWER
CHECK	<i>Hashima</i>	PAGE	
APPROVE	<i>H. Wano.</i>	CODE NO.	353105
SCALE		REG. TYPE	GX065 PWB352532B
TOLERANCE		SECURITY LEVEL	CONFIDENTIAL
DATE	1992. 1. 14		

F

C

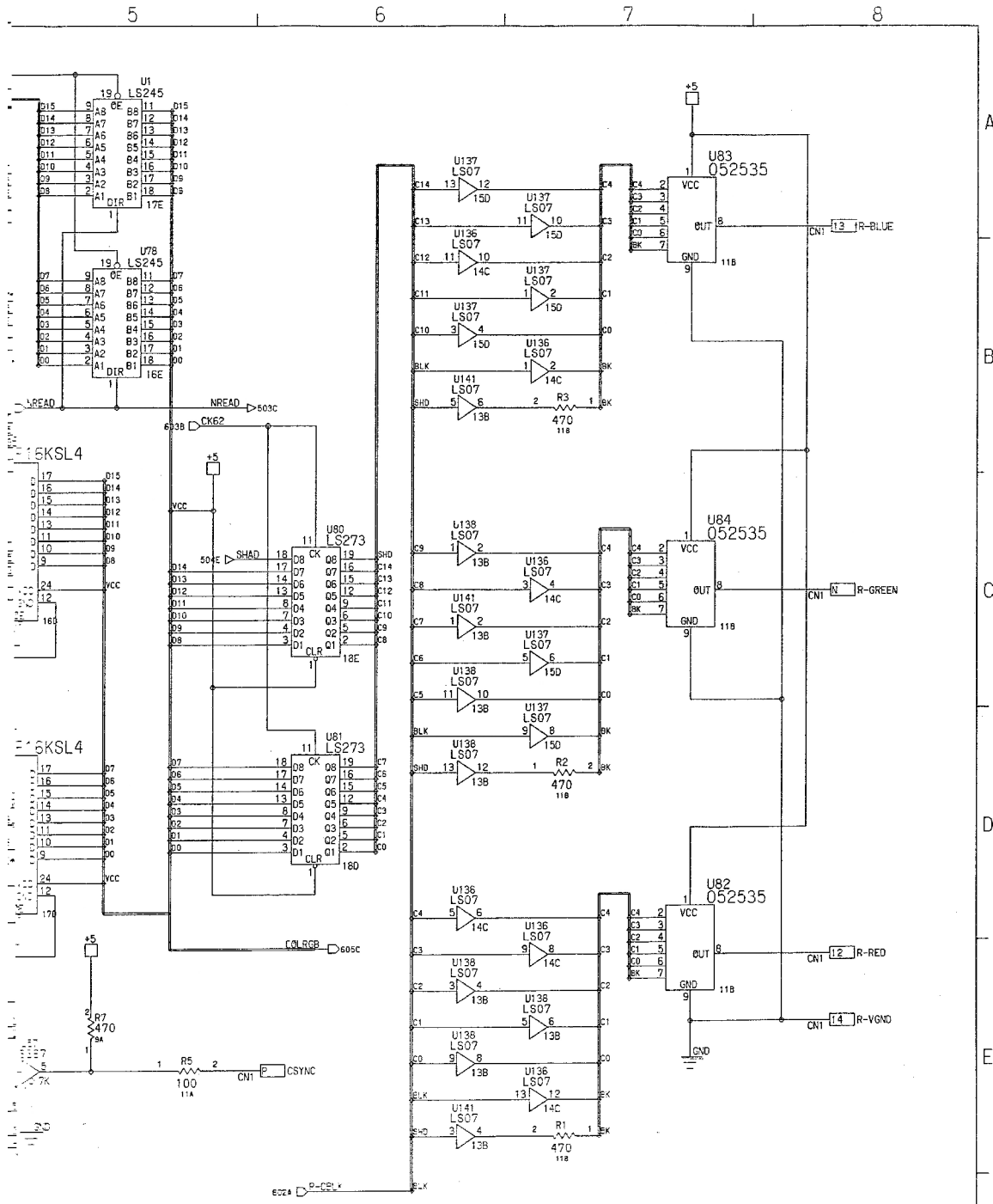
7

8



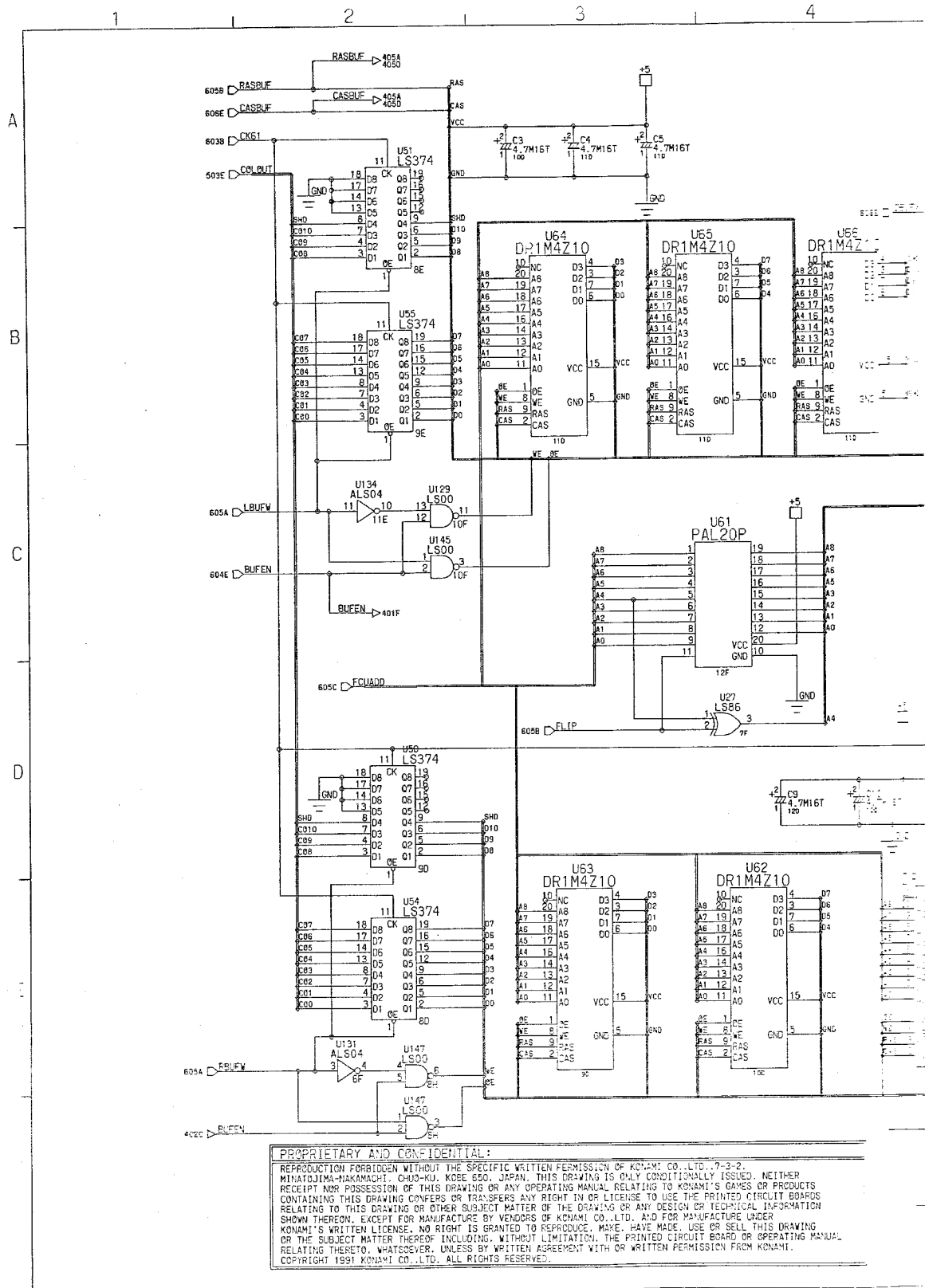
**PROPRIETARY AND CONFIDENTIAL:**  
 REPRODUCTION FORBIDDEN WITHOUT THE SPECIFIC WRITTEN PERMISSION OF KONAMI CO., LTD., 7-3-2, MINATOJIMA-NAKAMACHI, CHUO-KU, KOBE 650, JAPAN. THIS DRAWING IS ONLY CONDITIONALLY ISSUED. NEITHER RECEIPT NOR POSSESSION OF THIS DRAWING OR ANY OPERATING MANUAL RELATING TO KONAMI'S GAMES OR PRODUCTS CONTAINING THIS DRAWING CONFERES OR TRANSFERS ANY RIGHT IN OR LICENSE TO USE THE PRINTED CIRCUIT BOARDS RELATING TO THIS DRAWING OR OTHER SUBJECT MATTER OF THE DRAWING OR ANY DESIGN OR TECHNICAL INFORMATION SHOWN THEREON, EXCEPT FOR MANUFACTURE BY VENDORS OF KONAMI CO., LTD. AND FOR MANUFACTURE UNDER KONAMI'S WRITTEN LICENSE. NO RIGHT IS GRANTED TO REPRODUCE, MAKE, HAVE MADE, USE OR SELL THIS DRAWING OR THE SUBJECT MATTER THEREOF INCLUDING, WITHOUT LIMITATION, THE PRINTED CIRCUIT BOARD OR OPERATING MANUAL OR THE SUBJECT MATTER THEREOF, WHATSOEVER, UNLESS BY WRITTEN AGREEMENT WITH OR WRITTEN PERMISSION FROM KONAMI. COPYRIGHT 1991 KONAMI CO., LTD. ALL RIGHTS RESERVED.



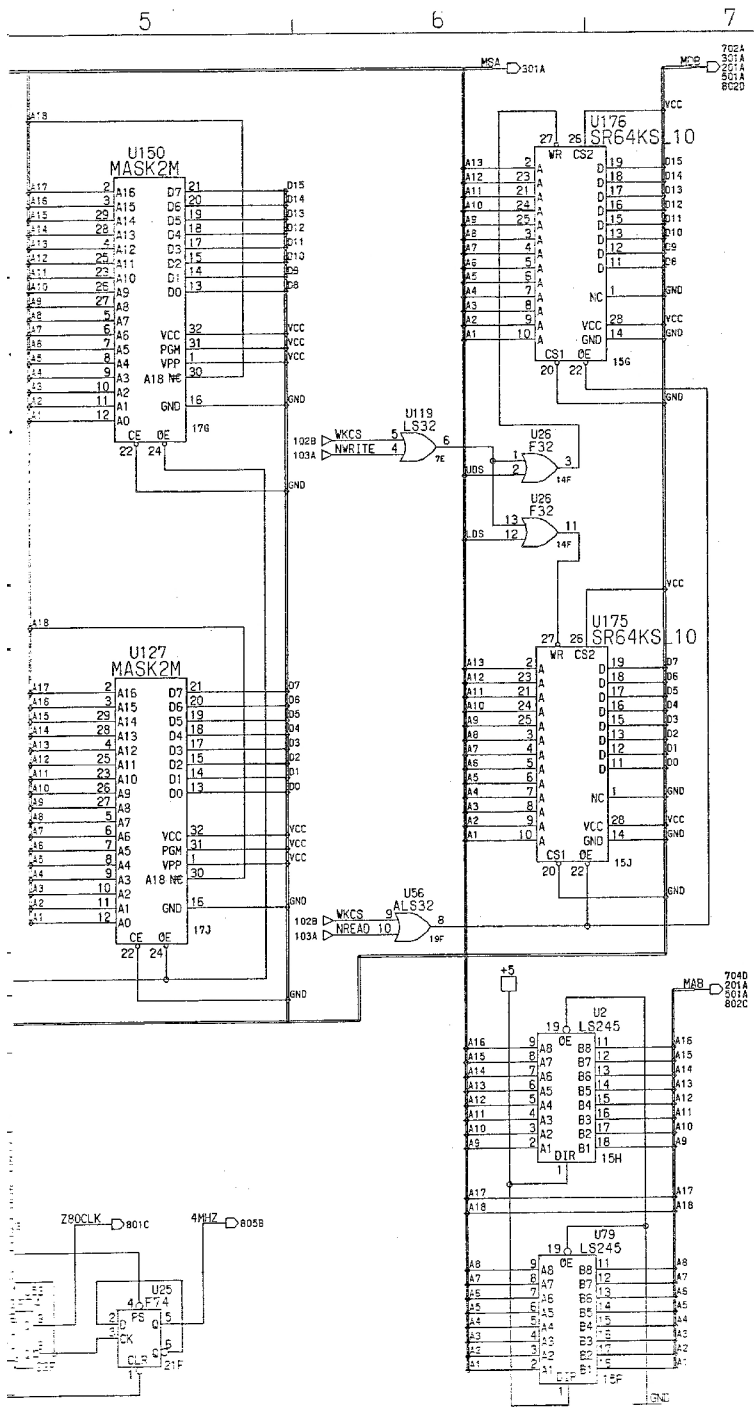


KONAMI CO., LTD.

DRAWING	DESIGN	H. MATSUURA	TITLE	GXC65-6F
	DRAW	H. MATSUURA	SUBTITLE	50FCU
	CHECK	<i>M. Matsumura</i>	PAGE	
	APPROVE	<i>H. Wano</i>	CODE NO.	353105
	SCALE		REG. TYPE	GXC65 PWB352532B
	TOLERANCE		SECURITY LEVEL	CONFIDENTIAL
	DATE	1992. 1. 14		



**PROPRIETARY AND CONFIDENTIAL:**  
 REPRODUCTION FORBIDDEN WITHOUT THE SPECIFIC WRITTEN PERMISSION OF KONAMI CO., LTD. 7-3-2,  
 MINATOJIMA-NAKAMACHI, CHUO-KU, KOBE 650, JAPAN. THIS DRAWING IS ONLY CONDITIONALLY ISSUED. NEITHER  
 RECEIPT NOR POSSESSION OF THIS DRAWING OR ANY OPERATING MANUAL RELATING TO KONAMI'S GAMES OR PRODUCTS  
 CONTAINING THIS DRAWING CONVEYS OR TRANSFERS ANY RIGHT IN OR LICENSE TO USE THE PRINTED CIRCUIT BOARDS  
 RELATING TO THIS DRAWING OR OTHER SUBJECT MATTER OF THE DRAWING OR ANY DESIGN OR TECHNICAL INFORMATION  
 SHOWN THEREON, EXCEPT FOR MANUFACTURE BY VENDORS OF KONAMI CO., LTD. AND FOR MANUFACTURE UNDER  
 KONAMI'S WRITTEN LICENSE. NO RIGHT IS GRANTED TO REPRODUCE, MAKE, HAVE MADE, USE OR SELL THIS DRAWING  
 OR THE SUBJECT MATTER THEREOF INCLUDING, WITHOUT LIMITATION, THE PRINTED CIRCUIT BOARD OR OPERATING MANUAL  
 RELATING THERETO, WHATSOEVER, UNLESS BY WRITTEN AGREEMENT WITH OR WRITTEN PERMISSION FROM KONAMI.  
 COPYRIGHT 1991 KONAMI CO., LTD. ALL RIGHTS RESERVED.



---NOTES---

- VCC(+5V)
- VCC(+12V)
- GND

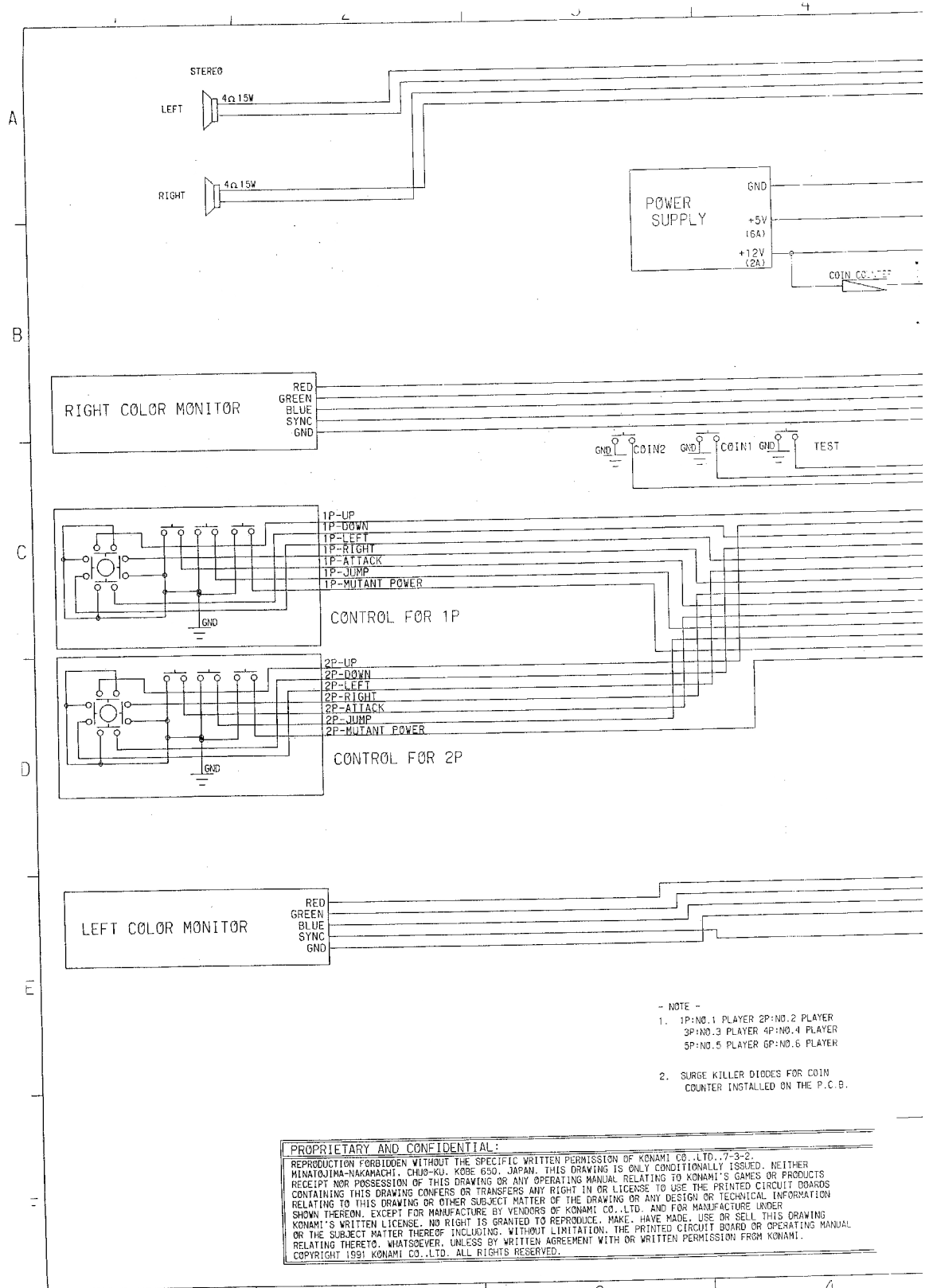
- CN1 JAMMA EDGE 56P
- CN2 64P DIN CONNECTOR
- CN3 64P DIN CONNECTOR
- CN4 64P DIN CONNECTOR
- CN5 6P NH CONNECTOR
- CN6 15P NH CONNECTOR
- CN7 15P NH CONNECTOR
- CN8 15P NH CONNECTOR
- CN9 15P NH CONNECTOR
- CN10 4P NH CONNECTOR
- CN11 64P DIN CONNECTOR

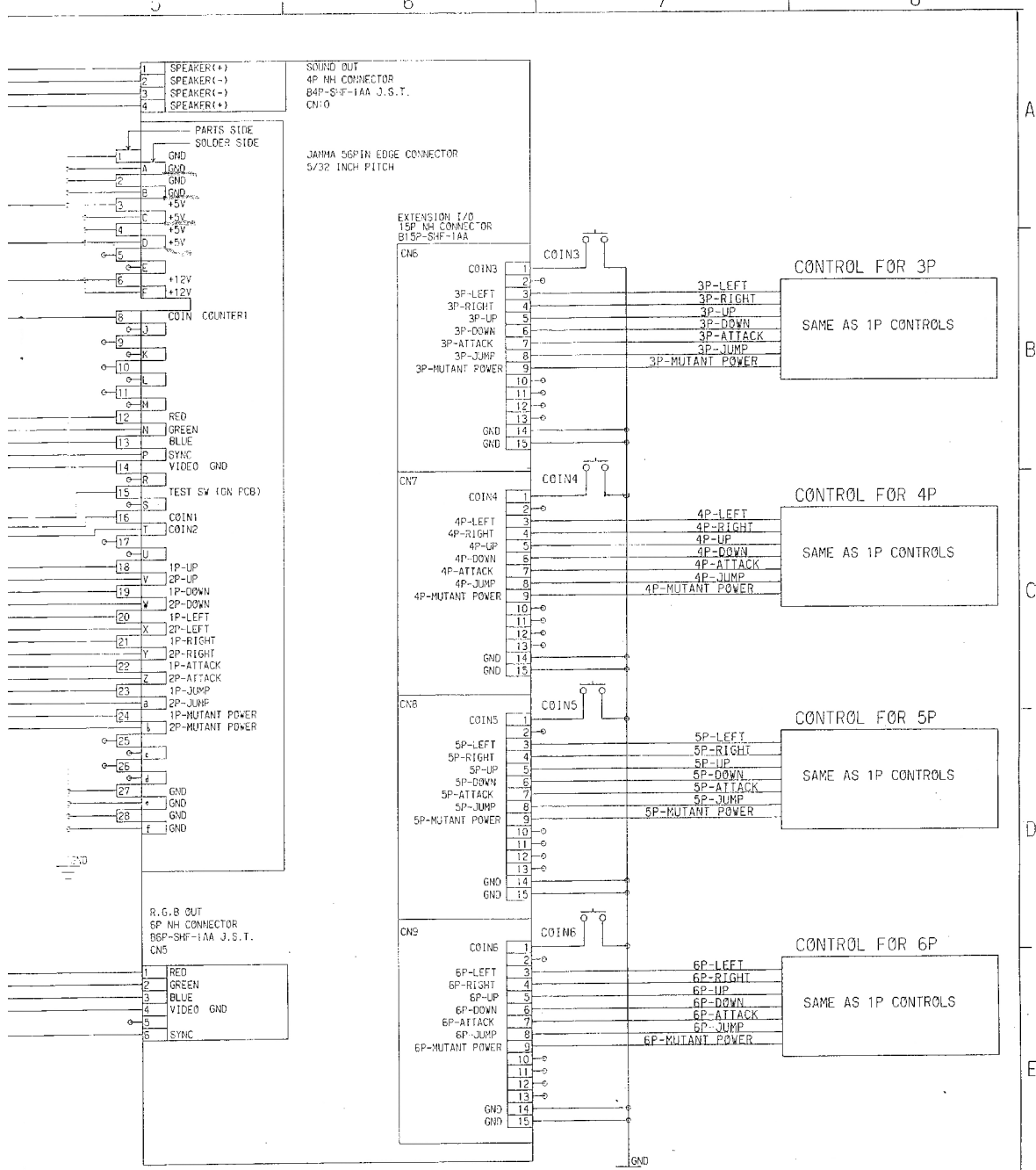
KINDS OF CAPACITOR

- C : CERAMIC
- E : ELECTROLYTIC
- M : MYLAR
- T : TANTALUM

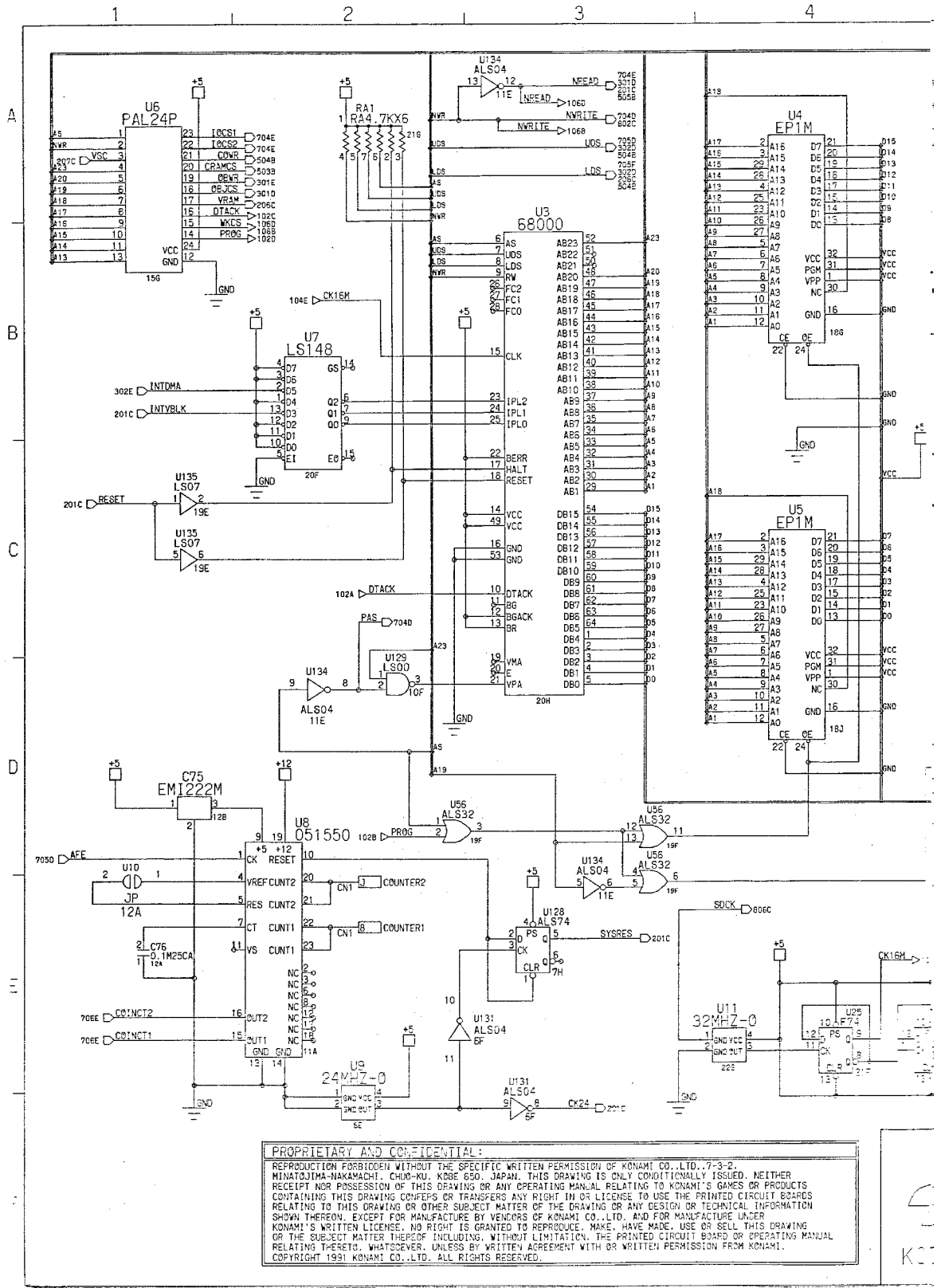


DESIGN	H. MATSURA	TITLE	GX065-6P
DRAW	H. MATSURA	SUBTITLE	10CPU
CHECK	<i>[Signature]</i>	PAGE	
APPROVE	<i>[Signature]</i>	CODE NO.	353105
SCALE		REG. TYPE	GX065 PWB352532B
TOLERANCE		SECURITY LEVEL	CONFIDENTIAL
DATE	1992. 1. 14		

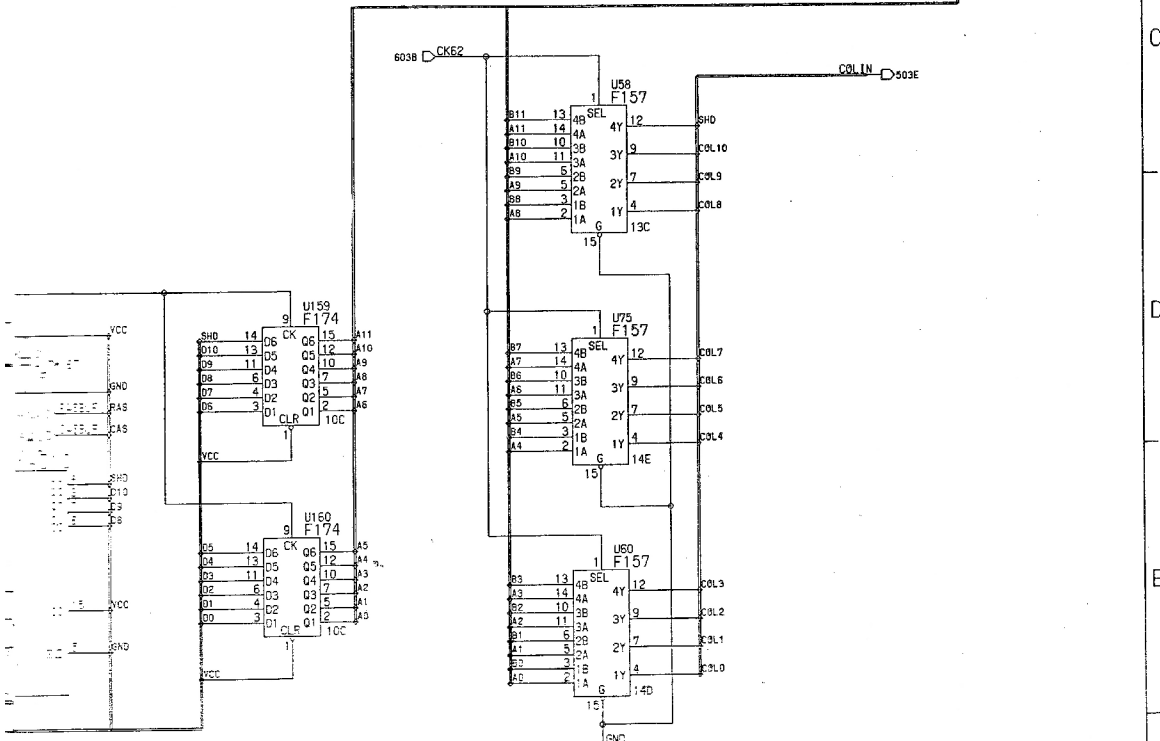
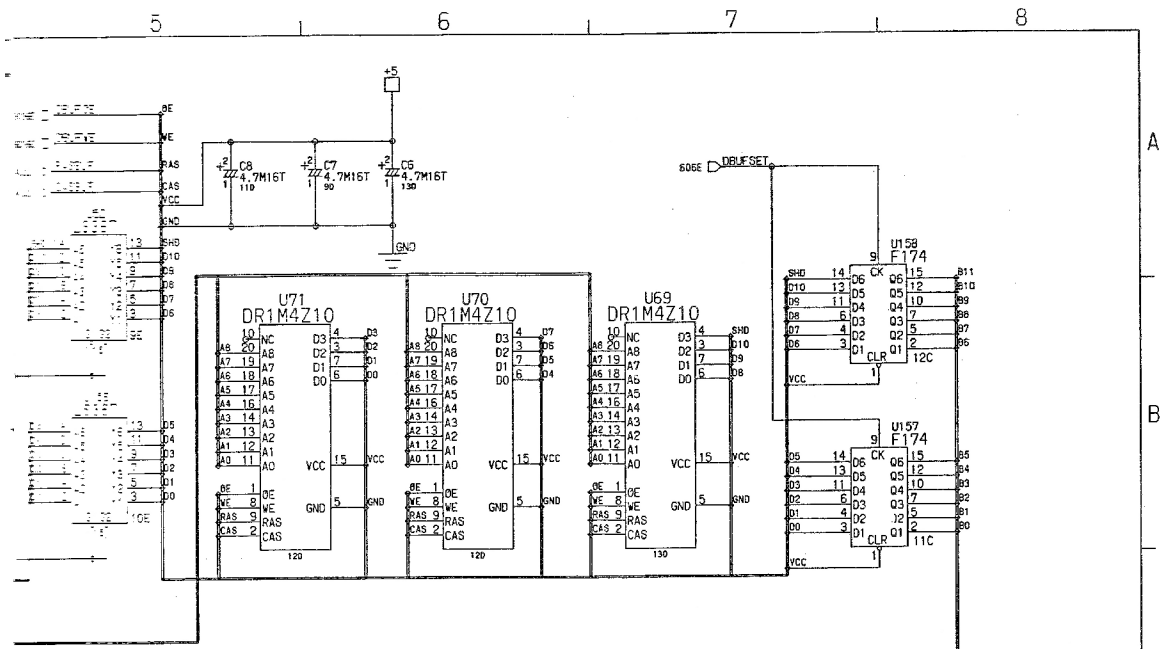




DRAWING	DESIGN	H. MATSUURA	TITLE	WIRING DIAGRAM
	DRAW	H. MATSUURA	SUBTITLE	GX065-6P
	CHECK	<i>H. Matsuura</i>	PAGE	
	APPROVE	<i>H. Matsuura</i>	CODE NO.	353079
	SCALE		REG. TYPE	GX065-UC
	TOLERANCE		SECURITY LEVEL	NORMAL
	DATE	1992. 1. 27		



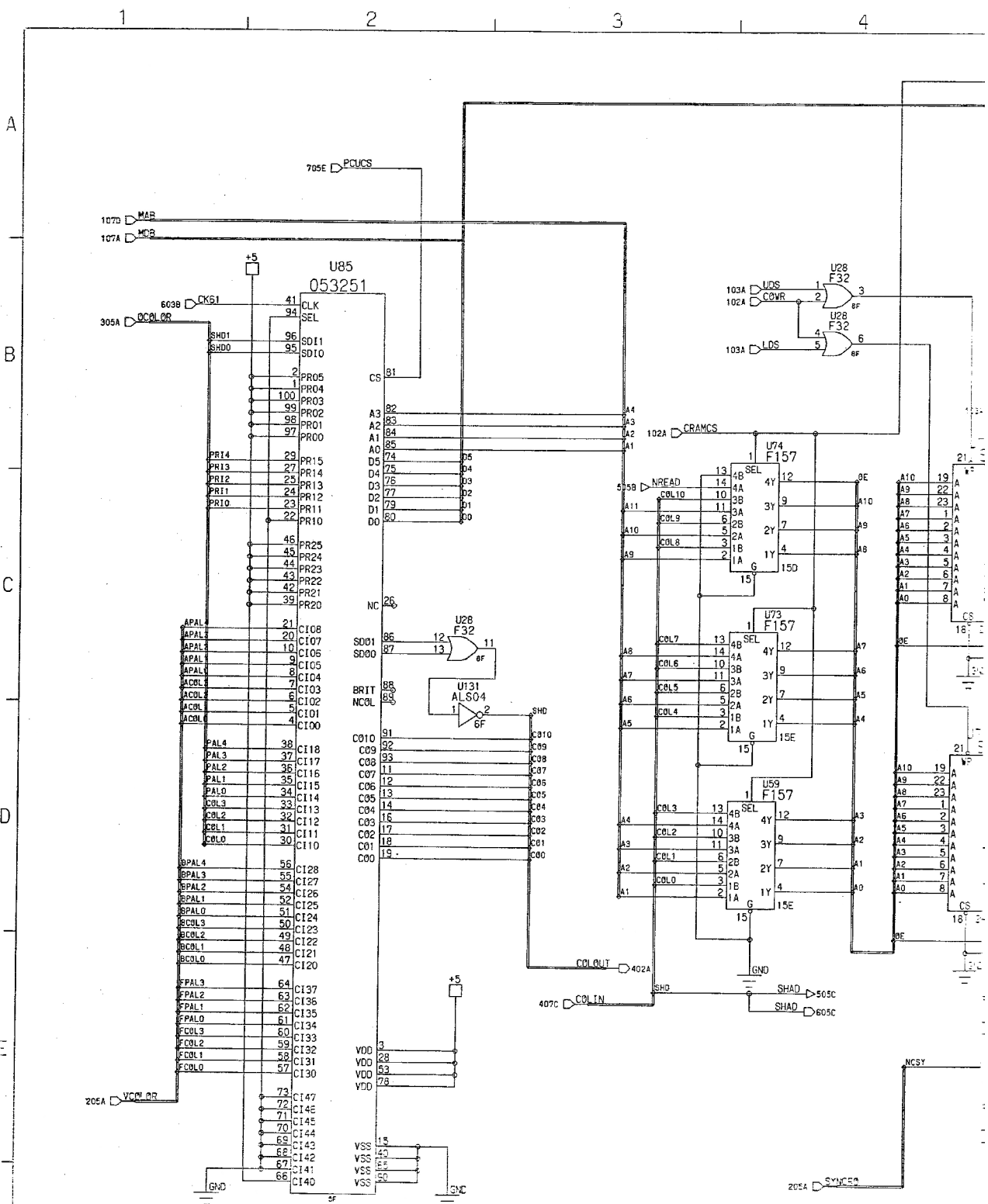
**PROPRIETARY AND CONFIDENTIAL:**  
 REPRODUCTION FORBIDDEN WITHOUT THE SPECIFIC WRITTEN PERMISSION OF KONAMI CO., LTD. 7-3-2,  
 MINATOJIMA-NAKAMACHI, CHUO-KU, KOBE 650, JAPAN. THIS DRAWING IS ONLY CONDITIONALLY ISSUED. NEITHER  
 RECEIPT NOR POSSESSION OF THIS DRAWING OR ANY OPERATING MANUAL RELATING TO KONAMI'S GAMES OR PRODUCTS  
 CONTAINING THIS DRAWING CONFERS OR TRANSFERS ANY RIGHT IN OR LICENSE TO USE THE PRINTED CIRCUIT BOARDS  
 RELATING TO THIS DRAWING OR OTHER SUBJECT MATTER OF THE DRAWING OR ANY DESIGN OR TECHNICAL INFORMATION  
 SHOWN THEREON. EXCEPT FOR MANUFACTURE BY VENDORS OF KONAMI CO., LTD. AND FOR MANUFACTURE UNDER  
 KONAMI'S WRITTEN LICENSE, NO RIGHT IS GRANTED TO REPRODUCE, MAKE, HAVE MADE, USE OR SELL THIS DRAWING  
 OR THE SUBJECT MATTER THEREOF INCLUDING, WITHOUT LIMITATION, THE PRINTED CIRCUIT BOARD OR OPERATING MANUAL  
 RELATING THERETO, WHATSOEVER, UNLESS BY WRITTEN AGREEMENT WITH OR WRITTEN PERMISSION FROM KONAMI.  
 COPYRIGHT 1991 KONAMI CO., LTD. ALL RIGHTS RESERVED.



**KONAMI**

KONAMI CO., LTD.

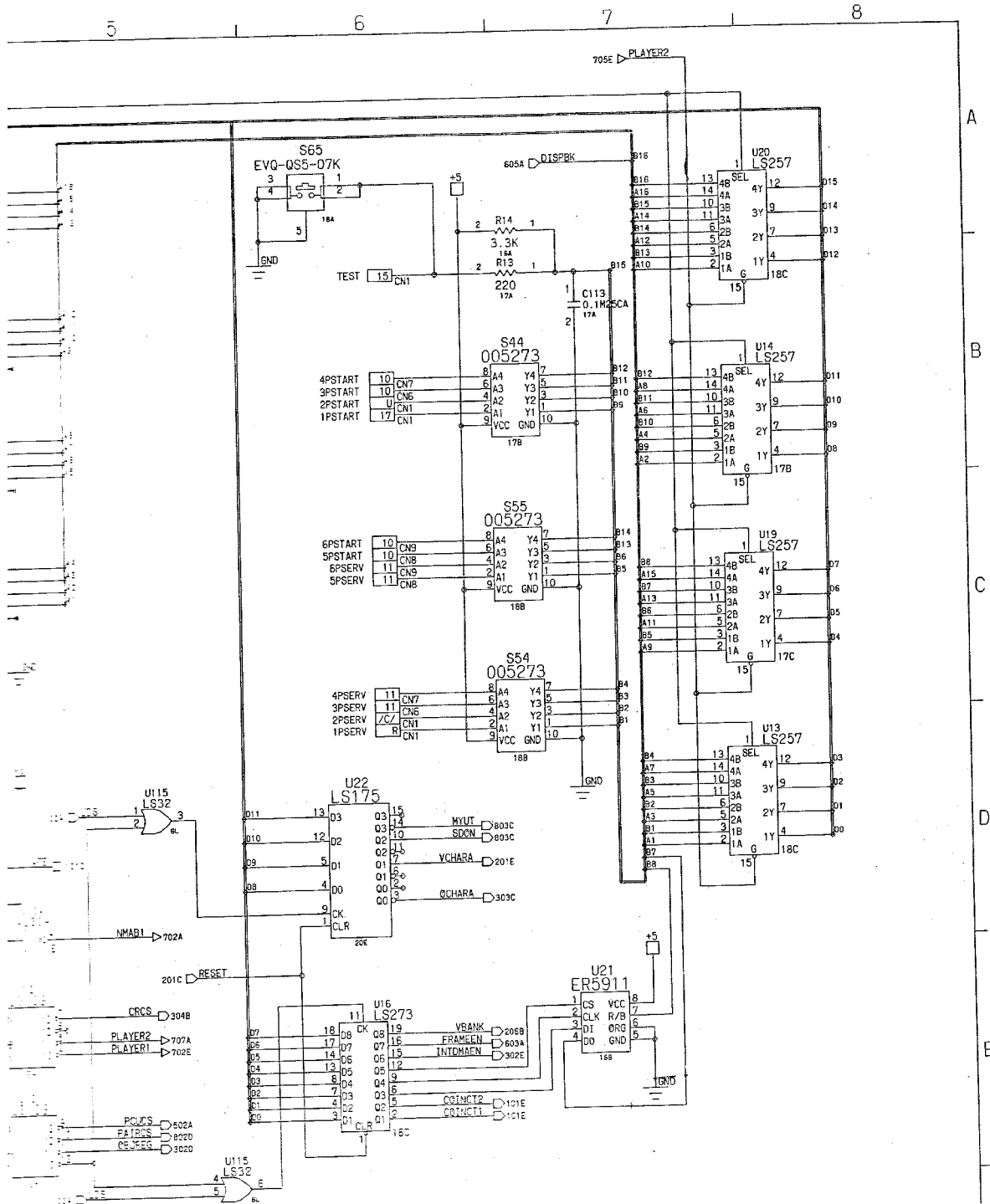
DRAWING	DESIGN	H. MATSUURA	TITLE	GX065-6P
	DRAW	H. MATSUURA	SUBTITLE	40DRAM
	CHECK	<i>[Signature]</i>	PAGE	
	APPROVE	<i>[Signature]</i>	CODE NO.	353105
	SCALE		REG. TYPE	GX065 PWB352532B
	TOLERANCE		SECURITY LEVEL	CONFIDENTIAL
	DATE	1992. 1.14		



**PROPRIETARY AND CONFIDENTIAL:**  
 REPRODUCTION FORBIDDEN WITHOUT THE SPECIFIC WRITTEN PERMISSION OF KONAMI CO., LTD. 7-3-2, MINATOJIMA-NAKAMACHI, CHUO-KU, KOBE 650, JAPAN. THIS DRAWING IS ONLY CONDITIONALLY ISSUED. NEITHER RECEIPT NOR POSSESSION OF THIS DRAWING OR ANY OPERATING MANUAL RELATING TO KONAMI'S GAMES OR PRODUCTS CONTAINING THIS DRAWING CONFERS OR TRANSFERS ANY RIGHT IN OR LICENSE TO USE THE PRINTED CIRCUIT BOARDS RELATING TO THIS DRAWING OR OTHER SUBJECT MATTER OF THE DRAWING OR ANY DESIGN OR TECHNICAL INFORMATION SHOWN THEREON, EXCEPT FOR MANUFACTURE BY VENDORS OF KONAMI CO., LTD. AND FOR MANUFACTURE UNDER KONAMI'S WRITTEN LICENSE. NO RIGHT IS GRANTED TO REPRODUCE, MAKE, HAVE MADE, USE OR SELL THIS DRAWING OR THE SUBJECT MATTER THEREOF INCLUDING, WITHOUT LIMITATION, THE PRINTED CIRCUIT BOARD OR OPERATING MANUAL RELATING THERETO, WHATSOEVER, UNLESS BY WRITTEN AGREEMENT WITH OR WRITTEN PERMISSION FROM KONAMI. COPYRIGHT 1991 KONAMI CO., LTD. ALL RIGHTS RESERVED.

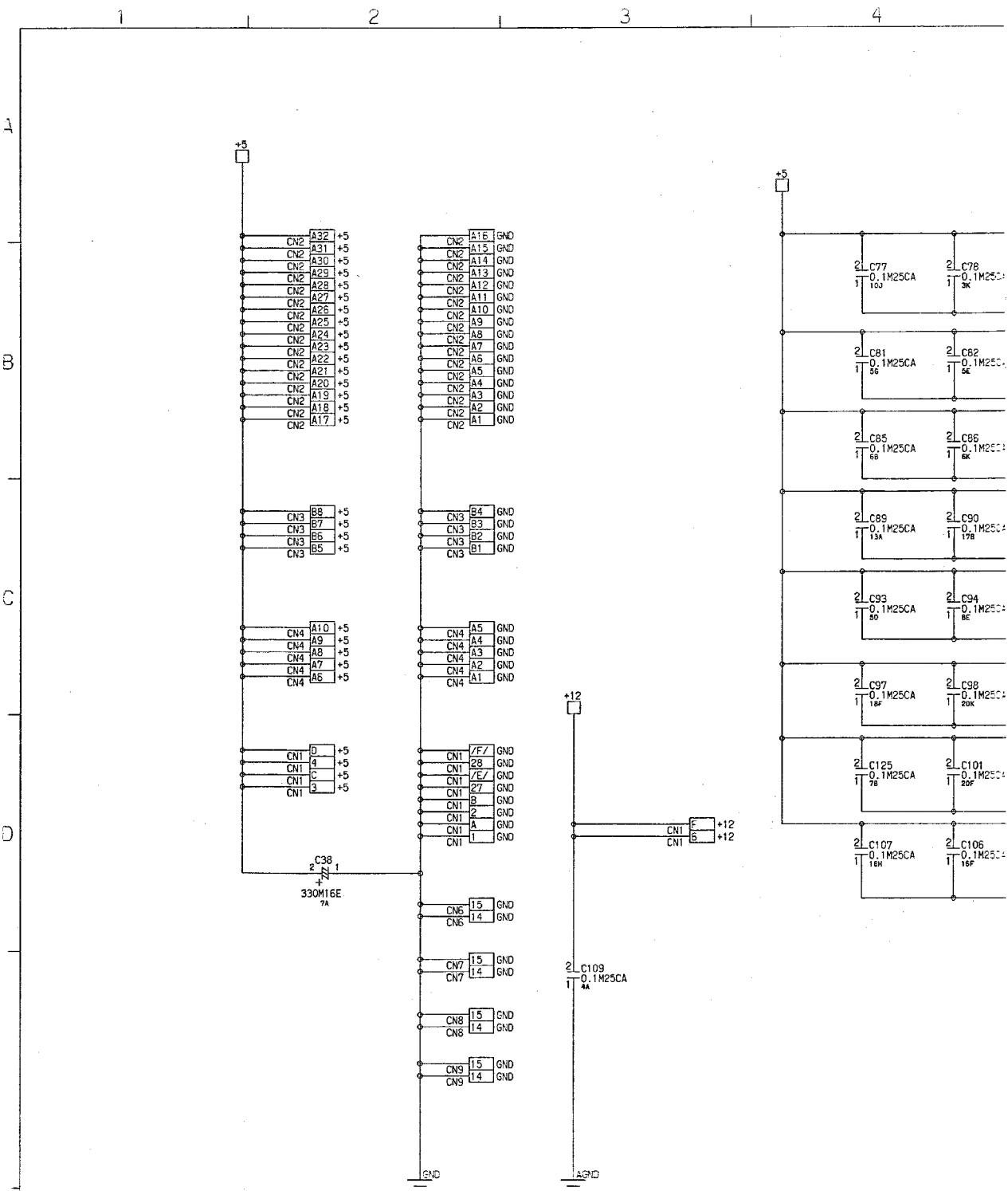
KC





KONAMI CO., LTD.

DRAWING	DESIGN	H. MATSUURA	TITLE	GX065-6P
	DRAW	H. MATSUURA	SUBTITLE	701/0
	CHECK	<i>Matsuura</i>	PAGE	
	APPROVE	<i>T. Ueno</i>	CODE NO.	353105
	SCALE		REG. TYPE	GX065 PWB352532B
	TOLERANCE		SECURITY LEVEL	CONFIDENTIAL
	DATE	1992. 1. 14		



**PROPRIETARY AND CONFIDENTIAL:**  
 REPRODUCTION FORBIDDEN WITHOUT THE SPECIFIC WRITTEN PERMISSION OF KONAMI CO., LTD., 7-3-2, MINATOJIMA-NAKAMACHI, CHUO-KU, KOBE 650, JAPAN. THIS DRAWING IS ONLY CONDITIONALLY ISSUED. NEITHER RECEIPT NOR POSSESSION OF THIS DRAWING OR ANY OPERATING MANUAL RELATING TO KONAMI'S GAMES OR PRODUCTS CONTAINING THIS DRAWING CONFERS OR TRANSFERS ANY RIGHT IN OR LICENSE TO USE THE PRINTED CIRCUIT BOARDS RELATING TO THIS DRAWING OR OTHER SUBJECT MATTER OF THE DRAWING OR ANY DESIGN OR TECHNICAL INFORMATION SHOWN THEREON. EXCEPT FOR MANUFACTURE BY VENDORS OF KONAMI CO., LTD. AND FOR MANUFACTURE UNDER KONAMI'S WRITTEN LICENSE, NO RIGHT IS GRANTED TO REPRODUCE, MAKE, HAVE MADE, USE OR SELL THIS DRAWING OR THE SUBJECT MATTER THEREOF INCLUDING, WITHOUT LIMITATION, THE PRINTED CIRCUIT BOARD OR OPERATING MANUAL RELATING THERETO, WHATSOEVER, UNLESS BY WRITTEN AGREEMENT WITH OR WRITTEN PERMISSION FROM KONAMI. COPYRIGHT 1991 KONAMI CO., LTD. ALL RIGHTS RESERVED.

LC  
 KC

# X-MEN 6 PLAYER SUB HARNESS FOR 3, 4, 5 & 6 PLAYERS

<b>CN3 3P CONTROLS</b>	1	Coin 3	Violet/White
	2	Empty	
	3	3P Left	White/Red
	4	3P Right	White/Yellow
	5	3P Up	White/Black
	6	3P Down	White/Blue
	7	3P Attack	White/Brown
	8	3P Jump	White/Orange
	9	3P Mutant Power	White
	10	Empty	
	11	Empty	
	12	Empty	
	13	Empty	
	14	Empty	
	15	Ground	Black

<b>CN5 5P CONTROLS</b>	1	Coin 5	Brown
	2	Empty	
	3	5P Left	Brown/White
	4	5P Right	Brown/Red
	5	5P Up	Brown/Yellow
	6	5P Down	Brown/Orange
	7	5P Attack	Brown/Blue
	8	5P Jump	Brown/Green
	9	5P Mutant Power	Blue/Black
	10	Empty	
	11	Empty	
	12	Empty	
	13	Empty	
	14	Empty	
	15	Ground	Black

<b>CN4 4P CONTROLS</b>	1	Coin 4	Blue
	2	Empty	
	3	4P Left	Yellow/Brown
	4	4P Right	Brown/Black
	5	4P Up	Yellow/Green
	6	4P Down	Yellow/Red
	7	4P Attack	Yellow/White
	8	4P Jump	Yellow/Blue
	9	4P Mutant Power	Yellow
	10	Empty	
	11	Empty	
	12	Empty	
	13	Empty	
	14	Empty	
	15	Ground	Black

<b>CN6 6P CONTROLS</b>	1	Coin 6	Green
	2	Empty	
	3	6P Left	Green/White
	4	6P Right	Green/Red
	5	6P Up	Green/Black
	6	6P Down	Green/Blue
	7	6P Attack	Green/Orange
	8	6P Jump	Blue/Red
	9	6P Mutant Power	Red/Black
	10	Empty	
	11	Empty	
	12	Empty	
	13	Empty	
	14	Empty	
	15	Ground	Black

# X-MEN 6 PLAYER

## MANUAL TEST

### (1) HOW TO START

After switching on the power, press the TEST SWITCH on the PCB or on the cabinet, and you will get the MAIN MENU of the Manual Test.

NOTE: Switching on with TEST SWITCH pressed causes the program in the EEPROM to be initialized to default.

### (2) HOW TO RETURN TO THE GAME MODE

Select "EXIT" on the MAIN MENU then press player 1 ATTACK button to return to the game mode.

### (3) ITEMS AND HOW TO SELECT

Use player 1 JOYSTICK to select the desired test and press player 1 ATTACK button to initiate testing. Press player 1 ATTACK button during or at the end of each test to return to the MAIN MENU.

I/O CHECK
SCREEN CHECK
COLOR CHECK
SOUND CHECK
MASK ROM CHECK
GAME OPTIONS
COIN OPTIONS
EXIT
PLAYER1 JOYSTICK=SELECT ITEM
PLAYER1 ATTACK=DO CHECK

### (4) EXPLANATION OF THE ITEMS

#### 1. I/O CHECK

Check all the joysticks and buttons to see "1" when switched on. Press player 1 and 2 ATTACK buttons at the same time to return to MAIN MENU.

#### 2. SCREEN CHECK

Adjust focus, alignment, size, etc. using the cross-hatch screen.

#### 3. COLOR CHECK

Adjust color brightness so that the specified area will be colorless.

#### 4. SOUND CHECK

When "SOUND SCALE CHECK" is selected, a music scale sounds. At "SOUND CODE," push player 1 JOYSTICK right/left to change sound code.

#### 5. MASK ROM CHECK

Roms will be checked one after another, and the message "OK" or "BAD" will be displayed on the screen.

#### 6. GAME OPTIONS

Following screen will appear. Use player 1 JOYSTICK up/down to select the item and push JOYSTICK right/left to modify setting. Factory settings are shown in green, and modified results in red. (Settings below are not always the factory settings.) After modification is completed, select "SAVE AND EXIT" and press player 1 ATTACK button to save and return to MAIN MENU.

# X-MEN 6 PLAYER


GAME OPTIONS

PLAYER'S LIFE                    1 CREDIT 2 LIVES

DIFFICULTY LEVEL                4/MEDIUM

MAXIMUM MUTANT POWER        9

SOUND VOLUME                    

SOUND IN ATTRACT MODE        ALL THE TIME

FACTORY SETTINGS

SAVE AND EXIT

EXIT

PLYR1 JOYSTICK UP/DOWN=SELECT OPTION  
PLYR2 JOYSTICK RIGHT/LEFT=MODIFY SETTING

- ...Select from 1 to 9 lives.
- ...Select out of 8 levels.
- ...Maximum 9 or 3
  
- ...Adjust volume level between 0 and 30.
  
- ...Select out of 4 types:  
"ALL THE TIME," "COMPLETELY OFF," "ONCE EVERY 3 CYCLES" or "ONCE EVERY 5 CYCLES"
- ...All the settings return to default.
- ...Save the modified settings.

If you select "EXIT" instead of "SAVE AND EXIT" after modifying some settings, the message appears: "YOU DID NOT SAVE. DO YOU WANT TO SAVE? YES/NO" When you choose "YES," the screen shows "NOW SAVING" and returns to MAIN MENU. If you select "NO," "NO MODIFICATION" is shown and then MAIN MENU appears.

## COIN OPTIONS

Selecting this item, the screen shows following options.

COIN OPTIONS

PREMIUM START                    YES 1

STARTING                            2 COINS 1 CREDIT

CONTINUATION                    1 COIN 1 CREDIT

FACTORY SETTINGS

SAVE AND EXIT

EXIT

PLYR1 JOYSTICK UP/DOWN=SELECT OPTION  
PLYR2 JOYSTICK RIGHT/LEFT=MODIFY SETTING

- ... "NO" or "YES 1" to "YES 4"
- (The number means the EXTRA coins necessary)

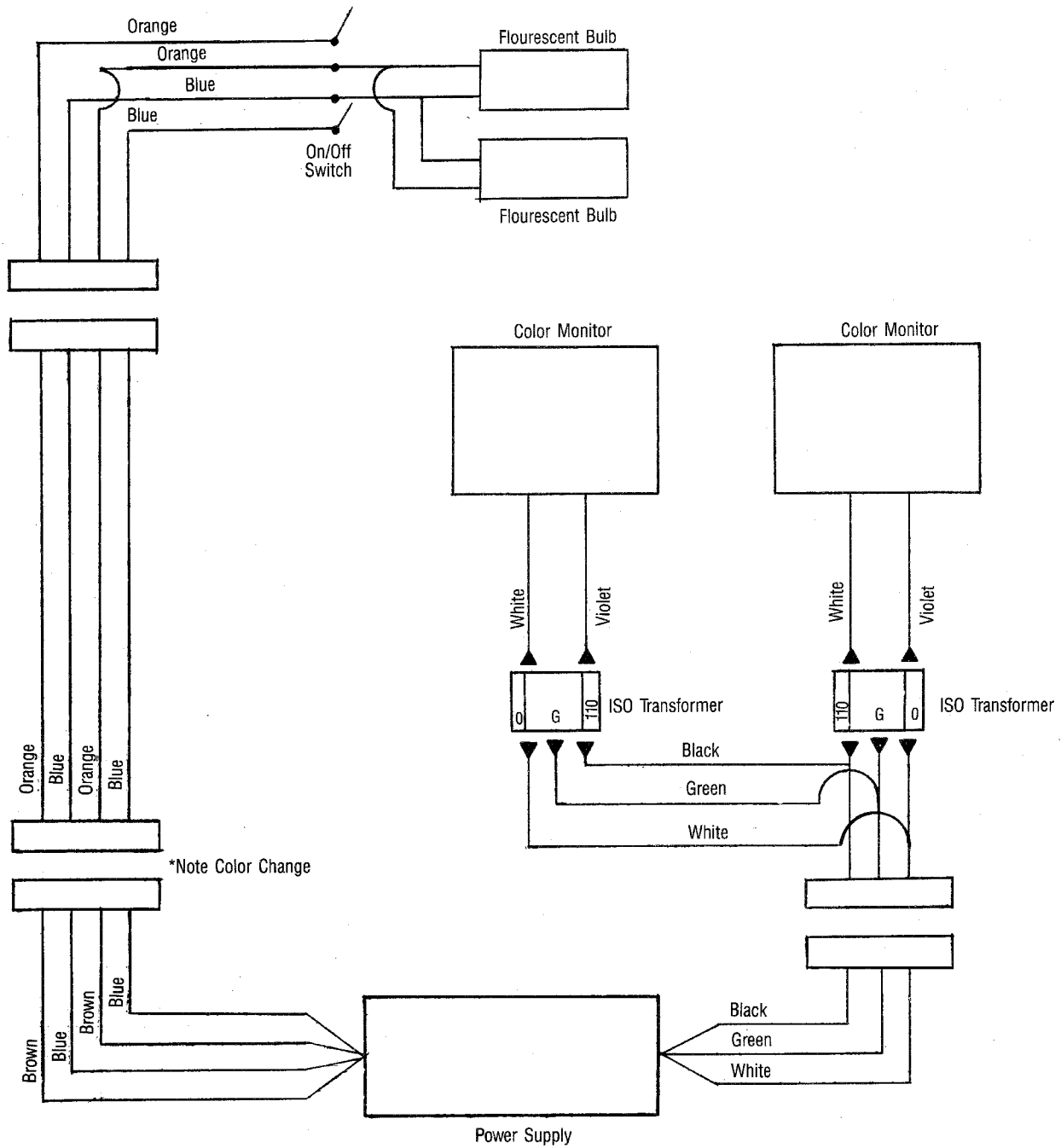
} Same as above "GAME OPTIONS"

When you want "PREMIUM START" setting, choose the number of extra coins necessary for starting, then decide the coin setting for continuation. The number of coins for starting will be the sum of both numbers. If you do not set premium start, the number of coins necessary for starting and continuation will be the same.

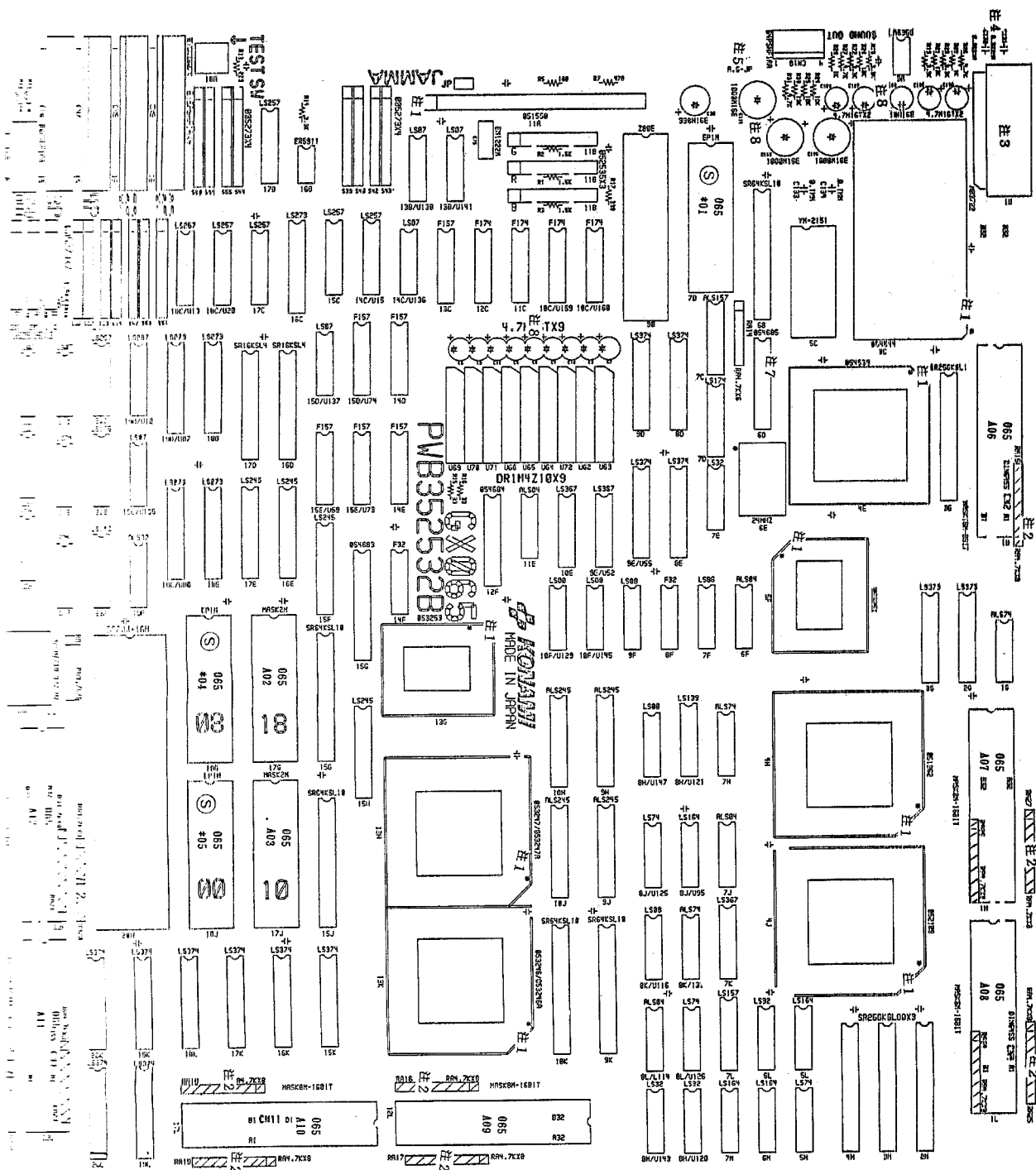
## COIN SETTING OPTIONS

Coin(s)	1	1	1	1	1	1	1	2	2	2	3	3	3	4	4	4
Credit(s)	1	2	3	4	5	6	7	1	3	5	1	2	4	1	3	5

# X-MEN 6 PLAYER A.C. WIRING HARNESS



# X-MEN 6 PLAYER PCB LAYOUT



THIS EQUIPMENT COMPLIES WITH THE REQUIREMENTS IN PART 15 OF FCC RULES FOR A CLASS A COMPUTING DEVICE. OPERATION OF THIS EQUIPMENT IN A RESIDENTIAL AREA MAY CAUSE UNACCEPTABLE INTERFERENCE TO RADIO AND TV RECEPTION REQUIRING THE OPERATOR TO TAKE WHATEVER STEPS ARE NECESSARY TO CORRECT THE INTERFERENCE. THIS DEVICE MUST ACCEPT ANY INTERFERENCE RECEIVED, INCLUDING INTERFERENCE THAT MAY CAUSE UNDESIRE OPERATION.

**KONAMI**®

900 Deerfield Parkway, Buffalo Grove, 60089-4510  
Telephone: (708) 215-5100, Telex: 6871385 KONAM UW, Fax: (708) 215-5122