



TEENAGE MUTANT NINJA


TURTLES®

4 PLAYER UPRIGHT INSTRUCTION MANUAL

TEENAGE MUTANT NINJA TURTLES
® © Mirage Studios, USA.

All rights reserved. Trademark use granted to Konami under license from Mirage Studios, USA.
Exclusively licensed by Surge Licensing, Inc.

© Konami Inc. 1989

 **KONAMI**® is a trademark of Konami Industry Co., Ltd.

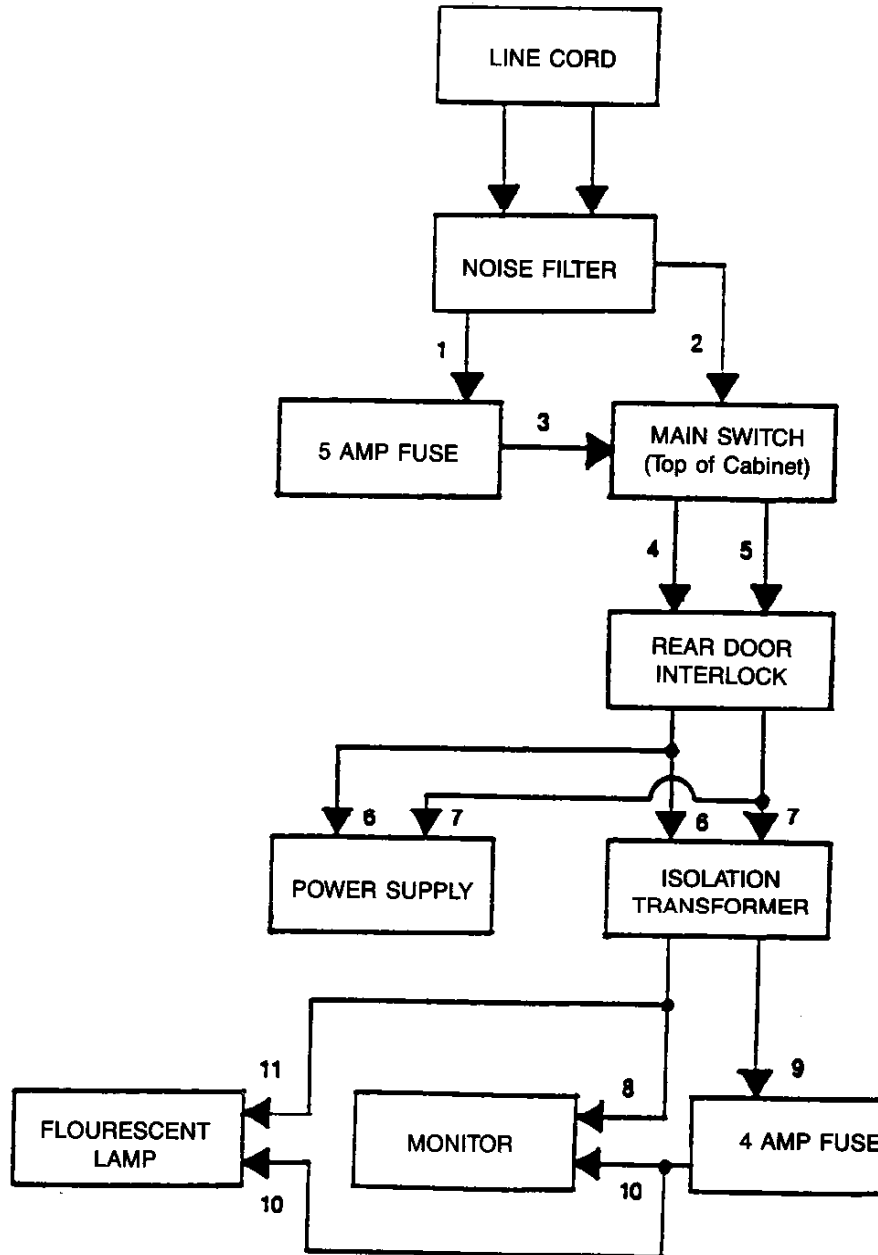
Part Number 963400

T.M.N.T.: PARTS LIST

Part #	Description
30110	Red Button
30112	Blue Button
30118	Yellow Button
30260	Violet Button
30202	Switch Holders
30250	Palnuts
30304	Red Joy Stick
30305	Blue Joy Stick
30307	Yellow Joy Stick
30321	Violet Joy Stick
30502	Control Panel Hinge
35101	Fuse 1 AMP
35104	Fuse 4 AMP
35105	Fuse 5 AMP
35201	ISO Transformer
35300	Line Filter
35403	Power Supply
40101	Coin Door W/Meter
40106	Coin Door No/Meter
40208	Marquee Bracket (Acute)
40209	Marquee Bracket (Obtuse)
40355	Marquee Plexi
40356	Tempered Glass
40505	25 Inch Monitor
40611	Bezel 25"
40700	Light Fixture
40702	Light Bulb
40946	A.C. Harness
963003	T.M.N.T. P.C.B.
963011	T.M.N.T. DC Harness
963100	T.M.N.T. CPO
963101	T.M.N.T. Instruction Decal
963200	T.M.N.T. Marquee
963304	T.M.N.T. Right Logo Side Decal
963305	T.M.N.T. Left Logo Side Decal
963306	T.M.N.T. Middle Right Side Decal
963307	T.M.N.T. Middle Left Side Decal
963308	T.M.N.T. Lower Right Side Decal
963309	T.M.N.T. Lower Left Side Decal
963400	T.M.N.T. Manual (4P)

T.M.N.T.: AC FLOW CHART

1. GREEN/YELLOW
2. BLACK
3. RED
4. BLUE
5. BROWN
6. RED/BLACK
7. BLACK/WHITE
8. WHITE
9. GREEN
10. VIOLET
11. ORANGE



T.M.N.T.: WIRING HARNESS

WIRE COLOR KEY:		← Solder Side	→ Parts Side		
BLACK	GND	A	1	GND	BLACK
BLACK	GND	B	2	GND	BLACK
RED	+5V DC	C	3	+5V DC	RED
RED	+5V DC	D	4	+5V DC	RED
	NOT USED	E	5	NOT USED	
ORANGE	+12V DC	F	6	+12V DC	ORANGE
	*KEY	H	7	*KEY	
	(EMPTY)	J	8	COIN COUNTER	GREEN/GRAY
	(EMPTY)	K	9	(EMPTY)	
YELLOW	SPEAKER (-)	L	10	SPEAKER (+)	BLUE
	(EMPTY)	M	11	(EMPTY)	
WHITE/GREEN	VIDEO GREEN	N	12	VIDEO RED	RED/WHITE
WHITE	VIDEO SYNC	P	13	VIDEO BLUE	BLUE/WHITE
	(EMPTY)	R	14	VIDEO GROUND	BLACK
	(EMPTY)	S	15	(EMPTY)	
VIOLET/WHITE	COIN 2	T	16	COIN 1	BLUE/BROWN
	NOT USED	U	17	NOT USED	
BLUE/YELLOW	2P UP	V	18	1P UP	ORANGE/WHITE
VIOLET/YELLOW	2P DOWN	W	19	1P DOWN	BLACK/WHITE
ORANGE/GREEN	2P LEFT	X	20	1P LEFT	RED/GRAY
ORANGE/YELLOW	2P RIGHT	Y	21	1P RIGHT	GRAY/WHITE
BLACK/YELLOW	<i>A</i> 2P JUMP	Z	22	1P JUMP <i>A</i>	RED/WHITE
ORANGE/GRAY	<i>B</i> 2P ATTACK	a	23	1P ATTACK <i>B</i>	GREEN/BROWN
	NOT USED	b	24	NOT USED	
	NOT USED	c	25	NOT USED	
	NOT USED	d	26	NOT USED	
BLACK	GND	e	27	GND	BLACK
BLACK	GND	f	28	GND	BLACK

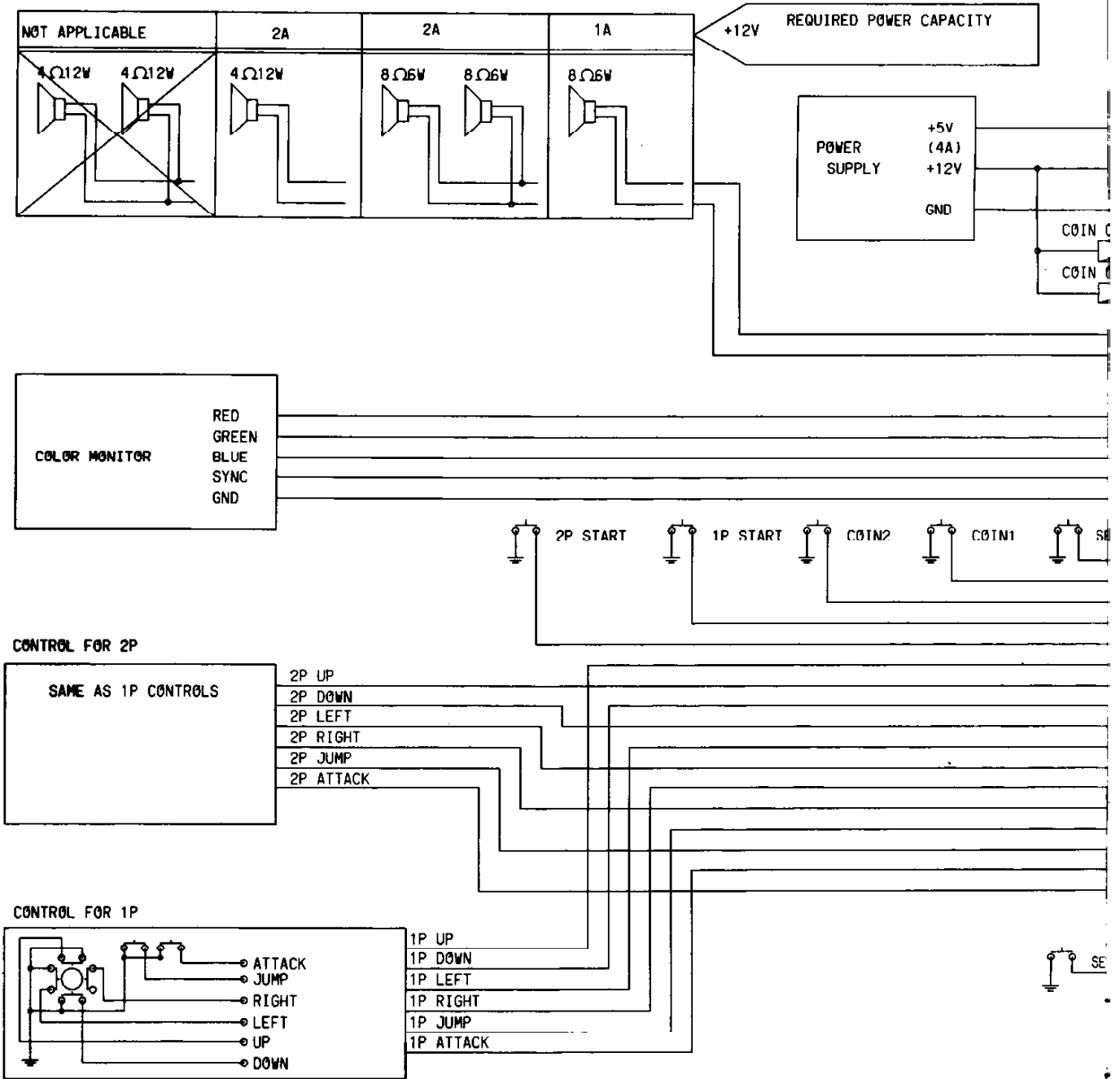
(BASE COLOR/LINE COLOR)

T.M.N.T.: SUB HARNESS FOR 3 PLAYERS & 4 PLAYERS

CN3 3P CONTROLS	1	Coin 3	White/Violet
	2	Empty	
	3	3P Left	White/Red
	4	3P Right	White/Yellow
	5	3P Up	White/Black
	6	3P Down	White/Blue
	7	3P Jump	White/Brown
	8	3P Attack	White/Orange
	9	Empty	
	10	Empty	
	11	Empty	
	12	Empty	
	13	Empty	
	14	Empty	
	15	Ground	Black

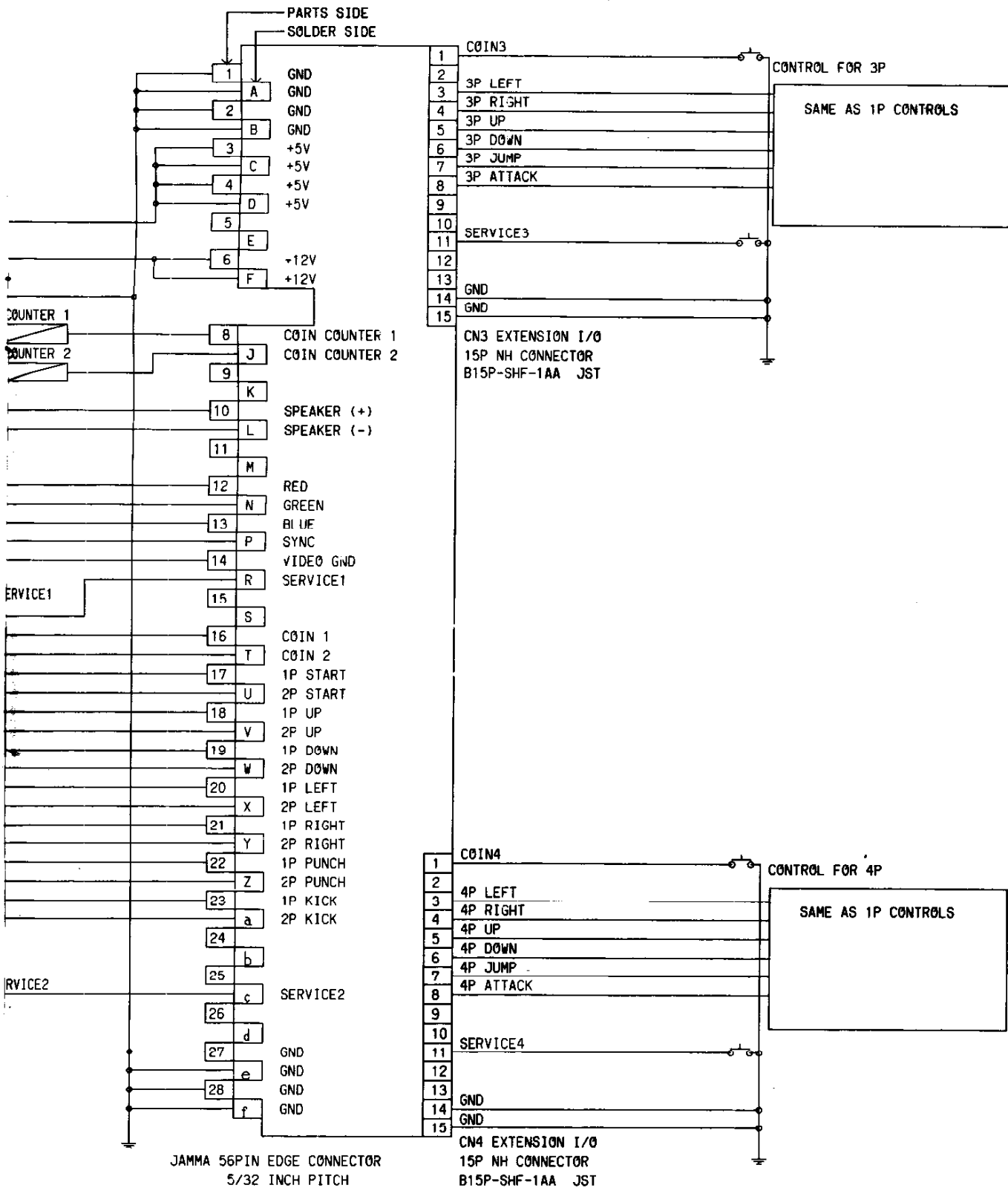
CN4 4P CONTROLS	1	Coin 4	Blue
	2	Empty	
	3	4P Left	Yellow/Black
	4	4P Right	Brown/Black
	5	4P Up	Green/Yellow
	6	4P Down	Yellow/Red
	7	4P Jump	Yellow/White
	8	4P Attack	Yellow/Blue
	9	Empty	
	10	Empty	
	11	Empty	
	12	Empty	
	13	Empty	
	14	Empty	
	15	Ground	Black

4P VERSION WIRING DIAGRAM



- NOTES -

- 1 1P:NO.1 PLAYER 2P:NO.2 PLAYER
3P:NO.3 PLAYER 4P:NO.4 PLAYER
- 2 SURGE KILLER DIODES FOR COIN COUNTER INSTALLED ON THE P.C.B.*



T.M.N.T. DIP SWITCH SETTINGS

DIP SWITCH NO. 1 SETTINGS

1. COIN SWITCH NO. 1 SETTINGS

SW	1	2	3	4	COIN	PLAY
○	OFF	OFF	OFF	OFF	1	1
	ON				1	2
	OFF	ON			1	3
	ON				1	4
	OFF	OFF	ON	OFF	1	5
	ON				1	6
	OFF	ON			1	7
	ON				2	1
	OFF	OFF	OFF	ON	2	3
	ON				2	5
	OFF	ON			3	1
	ON				3	2
	OFF	OFF	ON	ON	3	4
	ON				4	1
	OFF	ON			4	3
	ON				5	1

SW5 thru SW8 are not used.

DIP SWITCH NO. 2 SETTINGS

1. THE NUMBER OF PLAYER'S LIFE

SW	1	2	NUMBER
○	OFF	OFF	1
	ON		2
	OFF	ON	3
	ON		5

2. DIFFICULTY OF THE GAME

SW	6	7	DIFFICULTY
○	OFF	OFF	EASY
	ON		NORMAL
	OFF	ON	DIFFICULT
	ON		VERY DIFFICULT

3. SOUND IN ATTRACTIVE MODE

SW	8	SOUND
○	OFF	OFF
	ON	ON

SW3 thru SW5 are not used.

DIP SWITCH NO. 3 SETTINGS

1. VIDEO SCREEN FLIP

SW	1	
○	OFF	NORMAL
	ON	UPSIDE DOWN

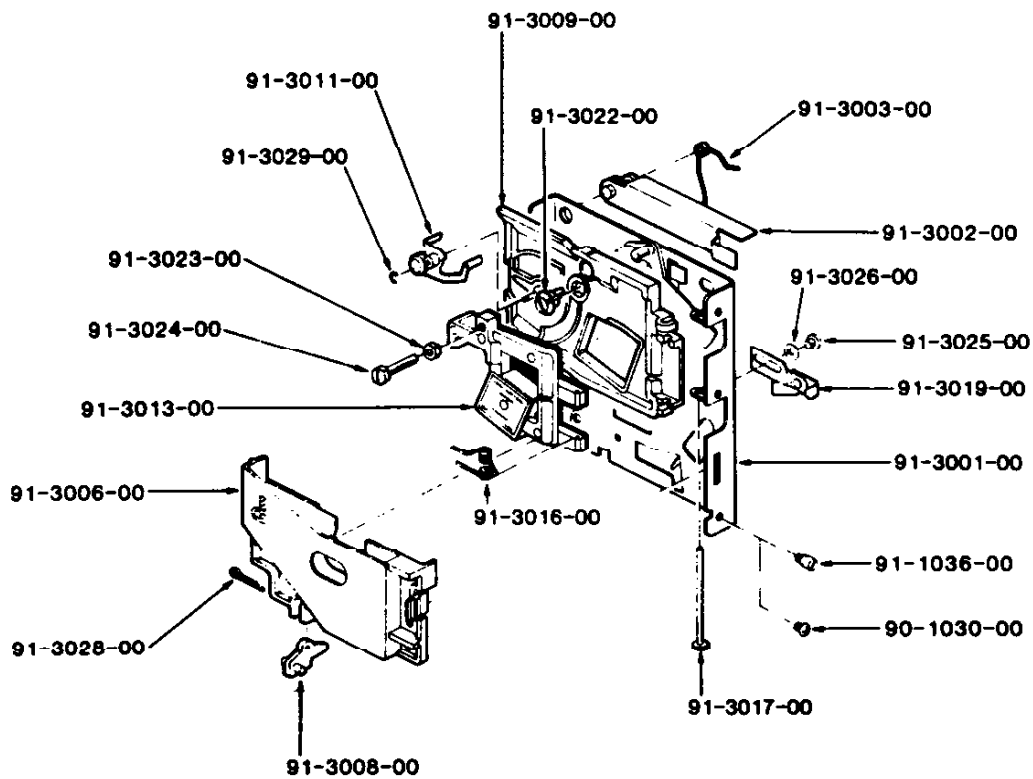
2. CHANGE OF MODE

SW	3	MODE
○	OFF	GAME MODE
	ON	TEST MODE

SW2 and SW4 are not used and should be kept OFF.

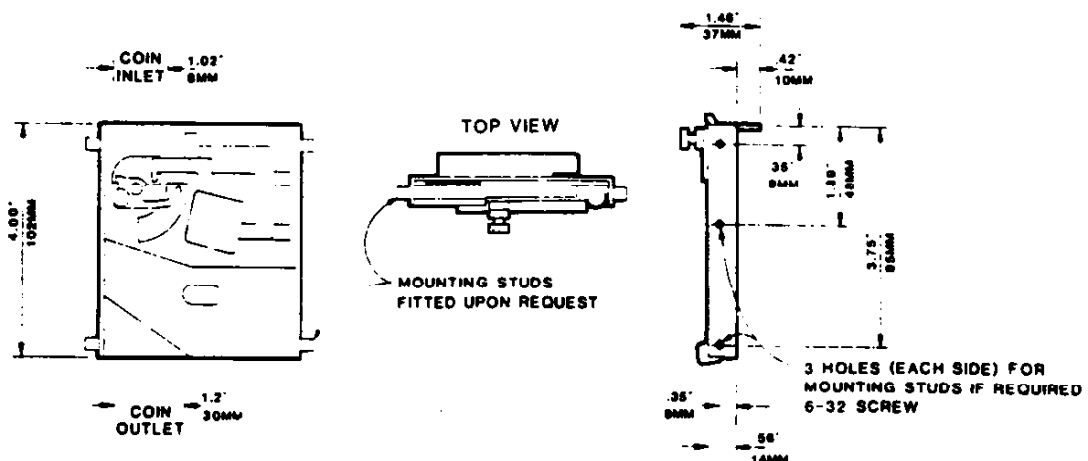
○ shows recommended settings.

Gold Mech Engineering Data and Parts List

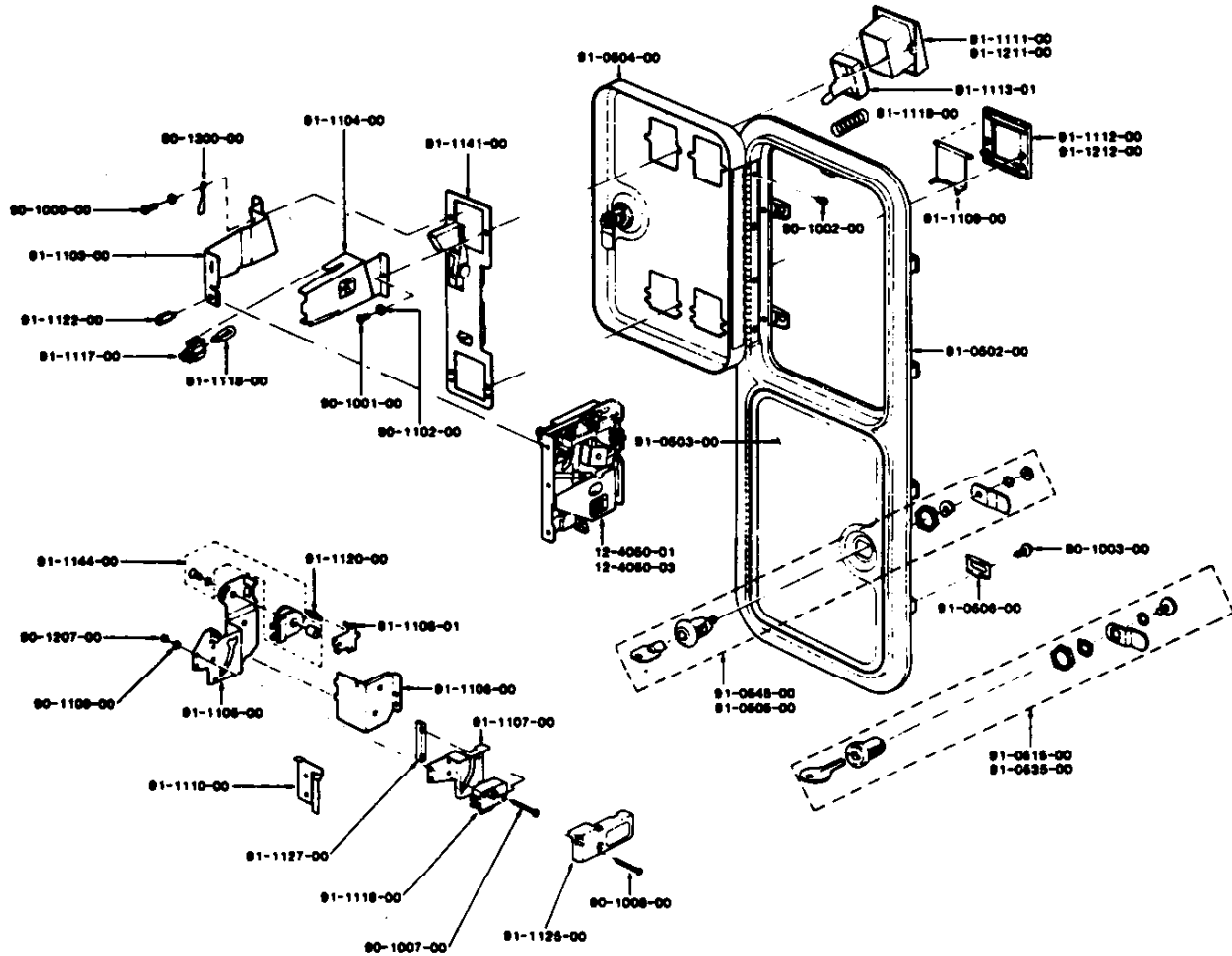


PARTS LIST

90-1030-00 Retaining Screw (#6-32"x.250")	91-3009-00 Gate	91-3023-00 Locknut-Magnet Holder
91-1036-00 Mounting Stud	91-3011-00 Cradle	91-3024-00 Screw-Magnet Holder
91-3001-00 Back Plate	91-3013-00 Magnet Holder with Magnet	91-3025-00 Screw Separator
91-3002-00 Reject Lever	91-3016-00 Gate Spring	91-3026-00 Washer
91-3003-00 Reject Lever Spring	91-3017-00 Gate Pin	91-3028-00 Cotter Pin for Anti-stringing Device
91-3006-00 Cover Plate	91-3019-00 Separator	91-3029-00 E-Clip for Cradle
91-3008-00 Anti-Stringing Device	91-3022-00 Diameter Adjustment	

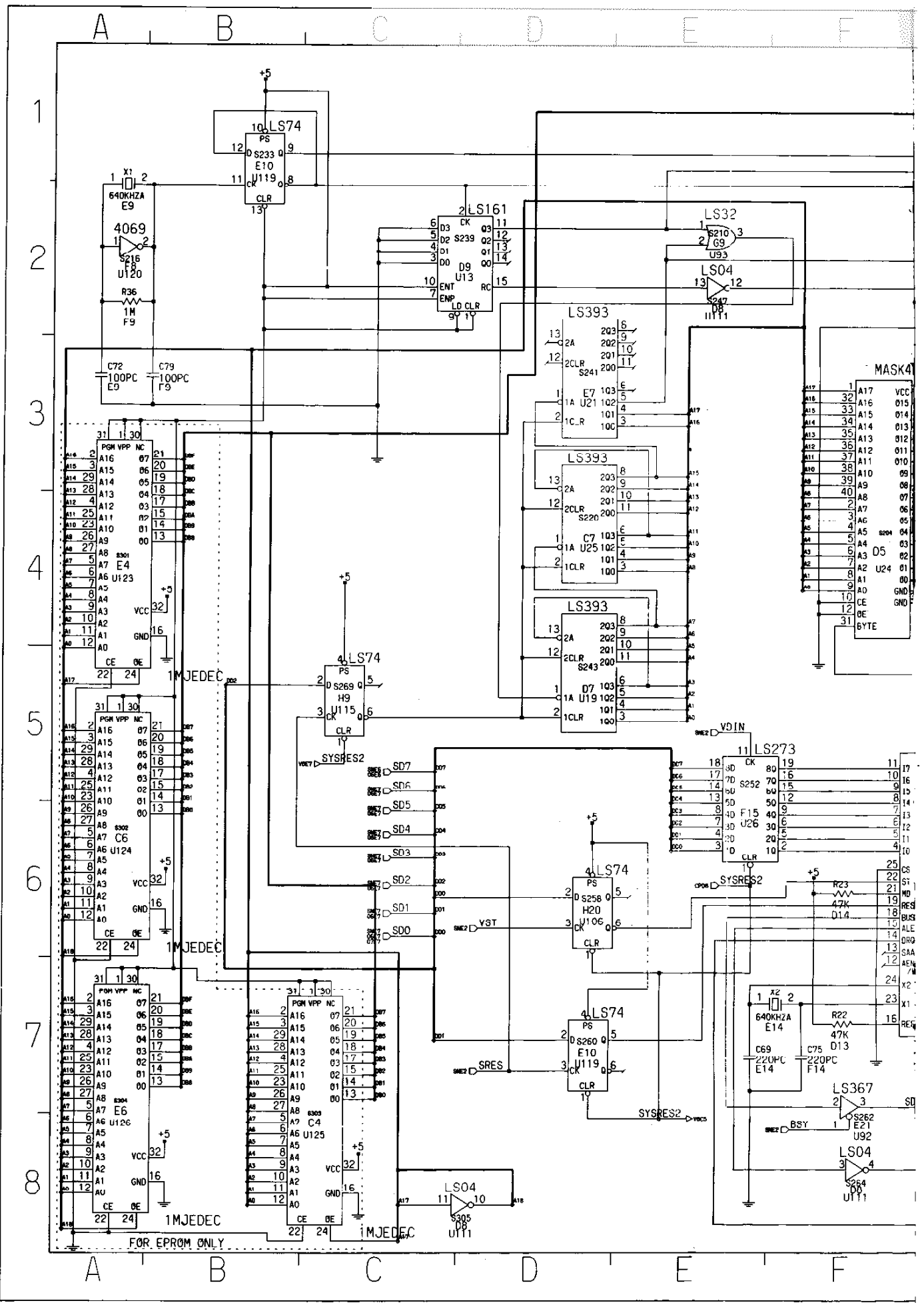


COMPLETE COIN DOOR ASSEMBLY EXPLODED VIEW



PARTS LIST

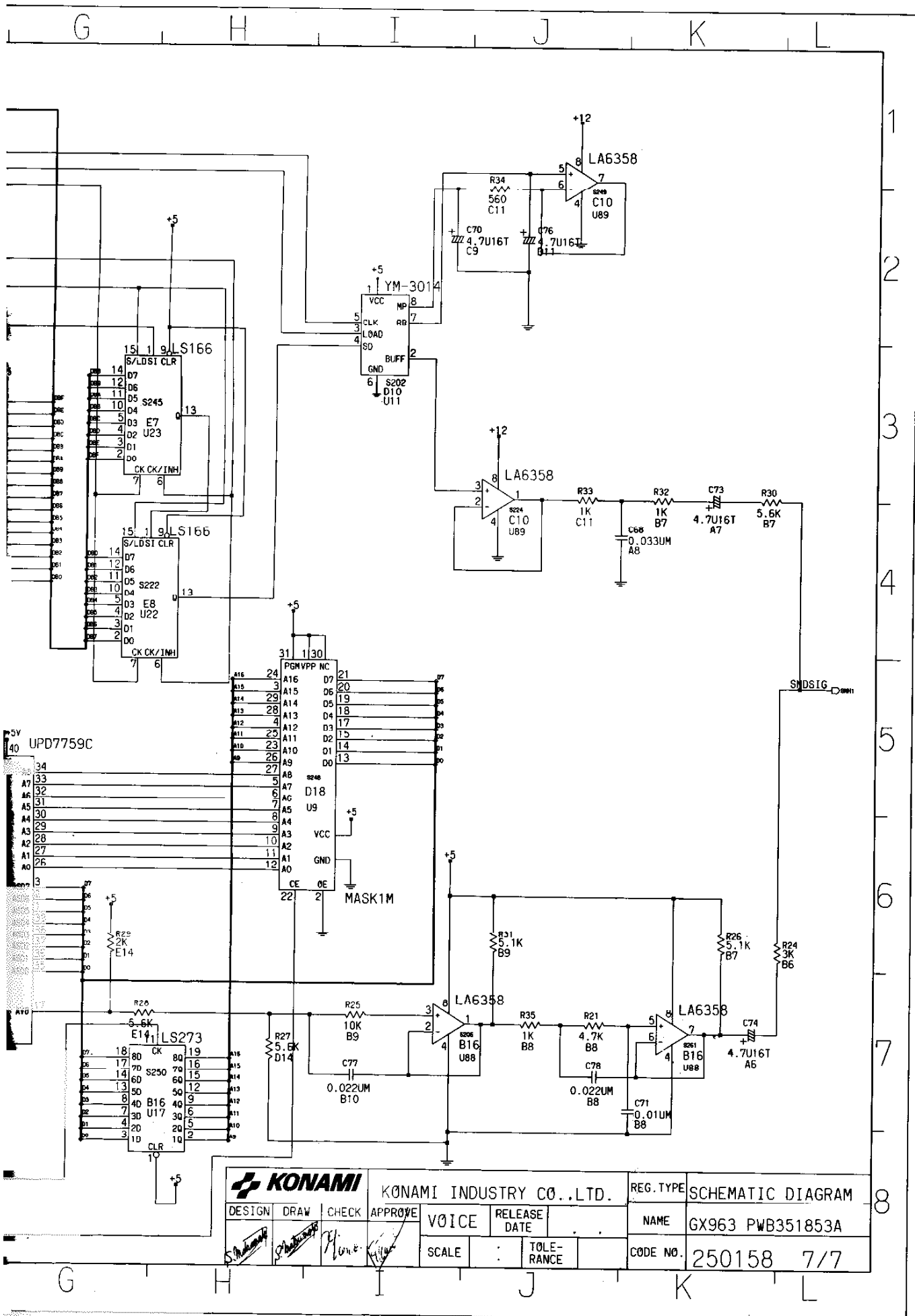
12-4050-01	S-10 Acceptor Body U.S. 25¢	90-1102-00	Washer for Bezel Screw	91-1103-00	Coin Inlet Lamp Side	91-1119-00	Button Spring
12-4050-03	S-10 Acceptor Body Canadian 25¢	90-1207-00	Nut for Microswitch Mounting Screw	91-1104-00	Coin Inlet Cover Side	91-1120-00	Lockout Spring
20-4177-00	Plastic Cash Box	90-1300-00	Keyhook	91-1105-00	Reject Cup Side Plate	91-1122-00	Retaining Screw for Acceptor Body
20-4179-00	Steel Enclosure	91-0502-00	Zinc Die Cast Frame	91-1106-00	Reject Cup Base Plate	91-1125-00	Clear Plastic Cover for Microswitch
22-1400-00	Locking Bar	91-0503-00	Lower Door	91-1107-00	Microswitch Bracket	91-1127-00	Plastic Switch Adjuster
24-1150-00	Wire Harness	91-0504-00	Upper Door	91-1108-01	Lockout Flap U.S. 25¢	91-1141-00	Base Plate With Pivot and Stud
90-1000-00	Keyhook Bezel Screw	91-0505-00	Round Lock and Cam Assembly	91-1109-00	Reject Flap	91-1144-00	6 Volt DC Lockout Coil Assembly
90-1001-00	Bezel Screw	91-0506-00	Clamp	91-1110-00	Metal Switch Adjuster	91-1211-00	Zinc Plated Button Bezel
90-1002-00	Hinge Screw	91-0515-00	Flat Lock and Cam Assembly	91-1111-00	Black Button Bezel	91-1212-00	Zinc Plated Reject Bezel
90-1003-00	Clamp Screw	91-0535-00	Flat Lock and Cam Assembly	91-1112-00	Black Reject Bezel		
90-1007-00	Flat Head Microswitch Mounting Screw	91-0545-00	Round Lock and Cam Assembly	91-1113-01	Entry/Reject Button U.S. 25¢		
90-1008-00	Panhead Microswitch Mounting Screw			91-1116-00	Microswitch (Black End Arm)		
				91-1117-00	Lampholder		
				91-1118-00	6 V Wedge Base Lamp		



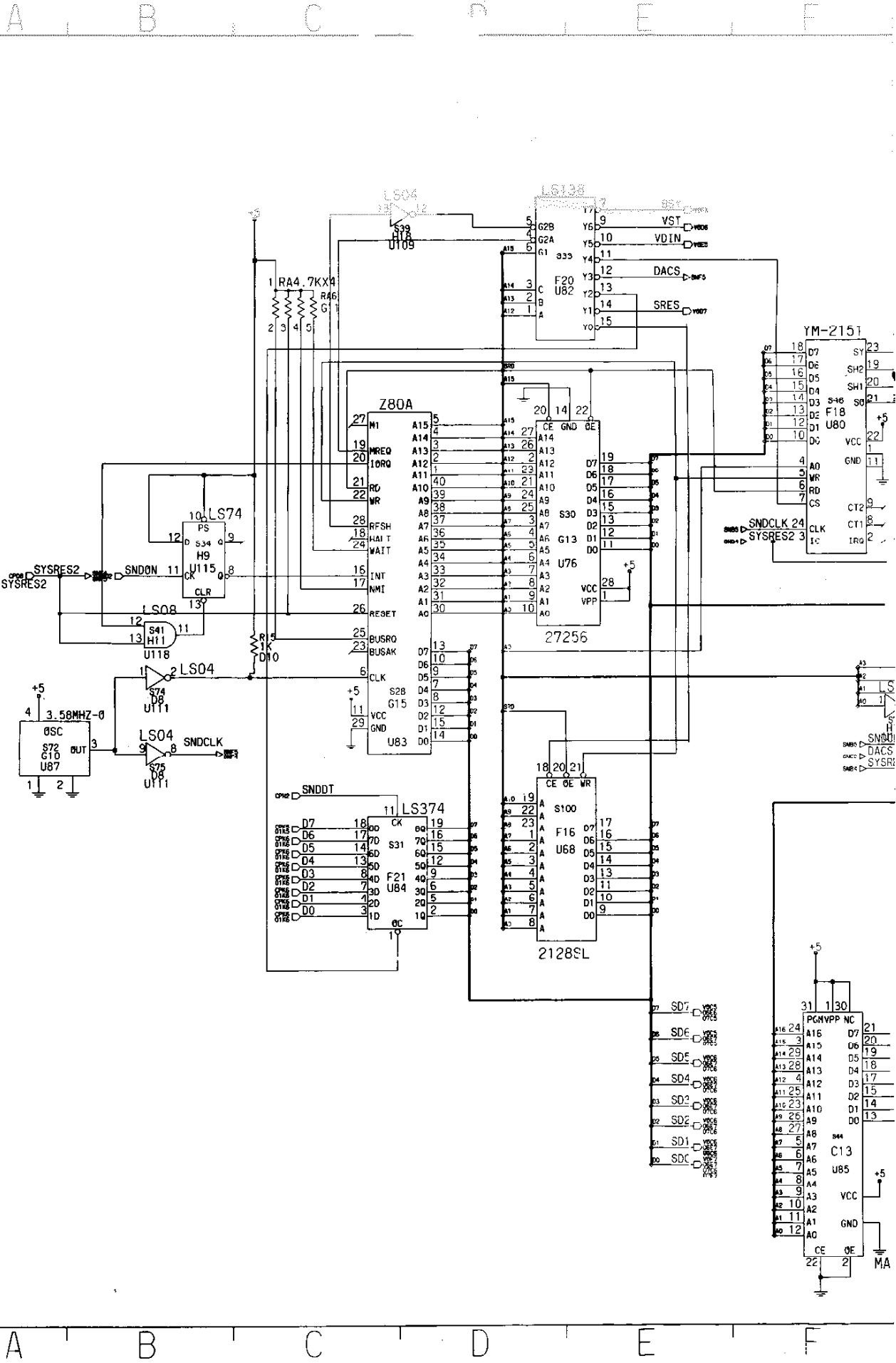
MASK4

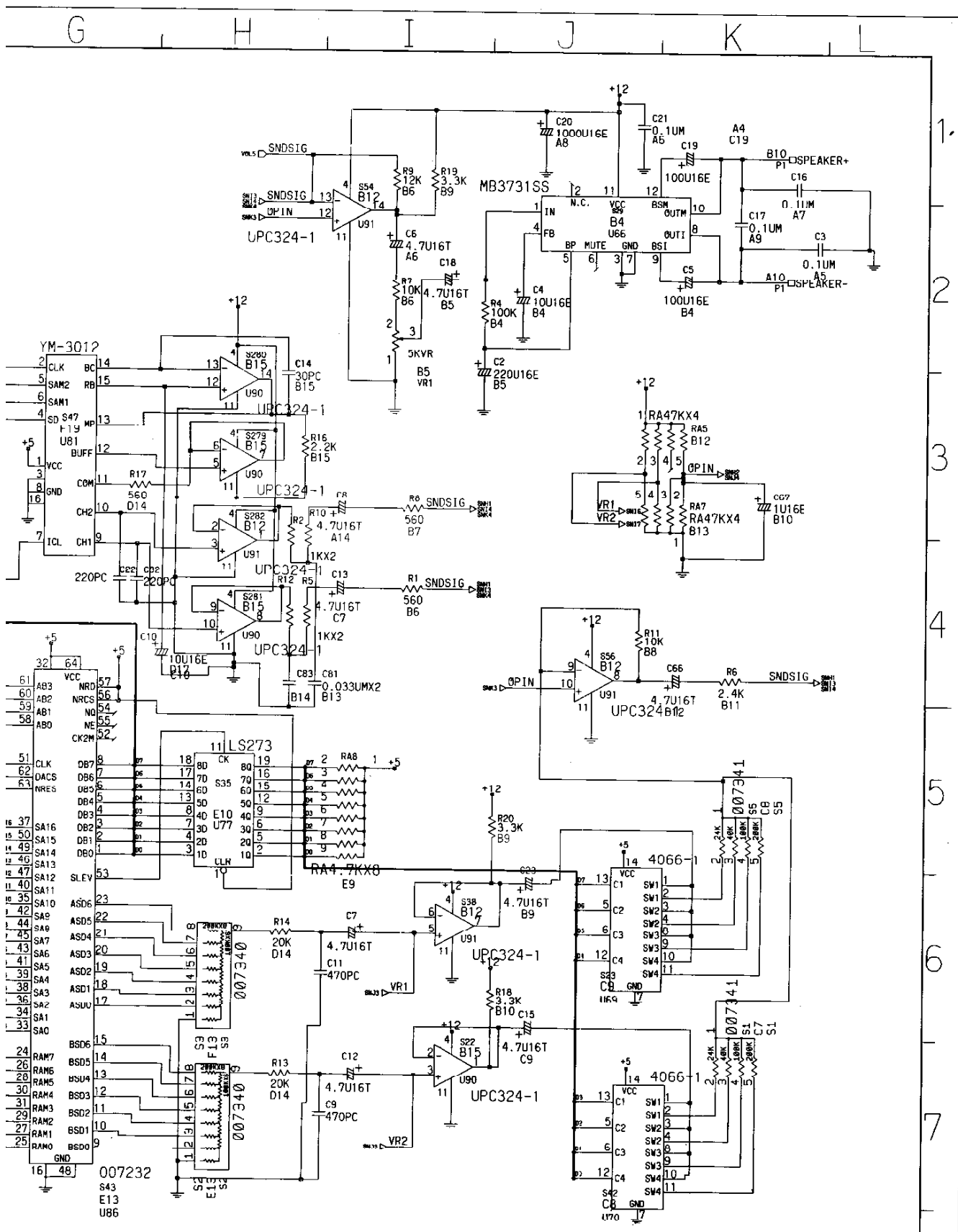
A17	1	A17	VCC
A16	32	A16	015
A15	33	A15	014
A14	34	A14	013
A13	35	A13	012
A12	36	A12	011
A11	37	A11	010
A10	38	A10	009
A9	39	A9	008
A8	40	A8	007
A7	2	A7	006
A6	3	A6	005
A5	4	A5	004
A4	5	A4	003
A3	6	A3	002
A2	7	A2	001
A1	8	A1	000
A0	9	A0	GND
	10		CE
	11		OE
	12		BYT
	13		
	14		
	15		
	16		
	17		
	18		
	19		
	20		
	21		
	22		
	23		
	24		
	25		
	26		
	27		
	28		
	29		
	30		
	31		

FOR EPROM ONLY

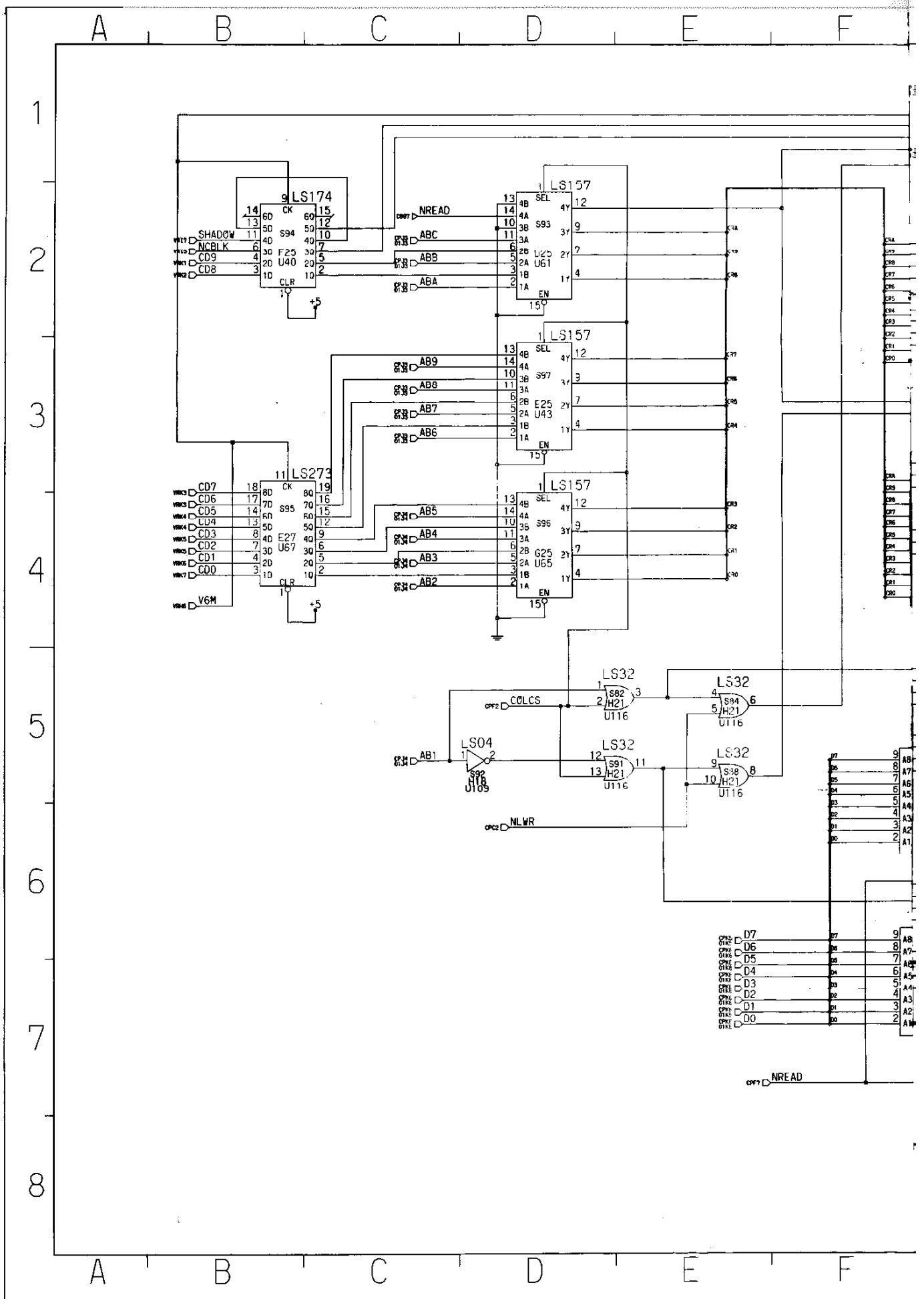


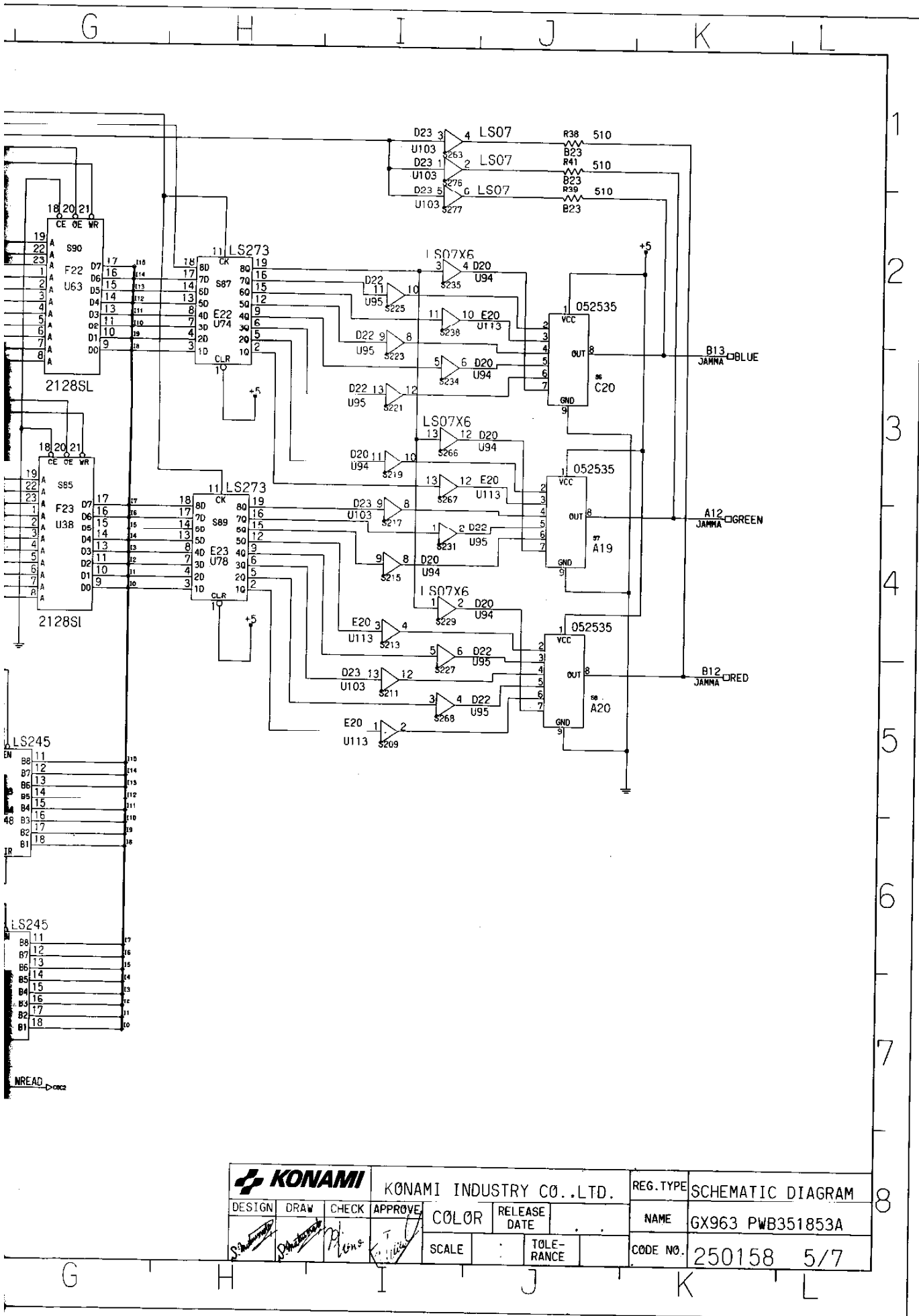
				KONAMI INDUSTRY CO., LTD.		REG. TYPE	SCHEMATIC DIAGRAM
DESIGN	DRAW	CHECK	APPROVE	VOICE	RELEASE DATE	NAME	GX963 PWB351853A
<i>[Signature]</i>	<i>[Signature]</i>	<i>[Signature]</i>	<i>[Signature]</i>			CODE NO.	250158 7/7
				SCALE	:	TOLE-RANCE	



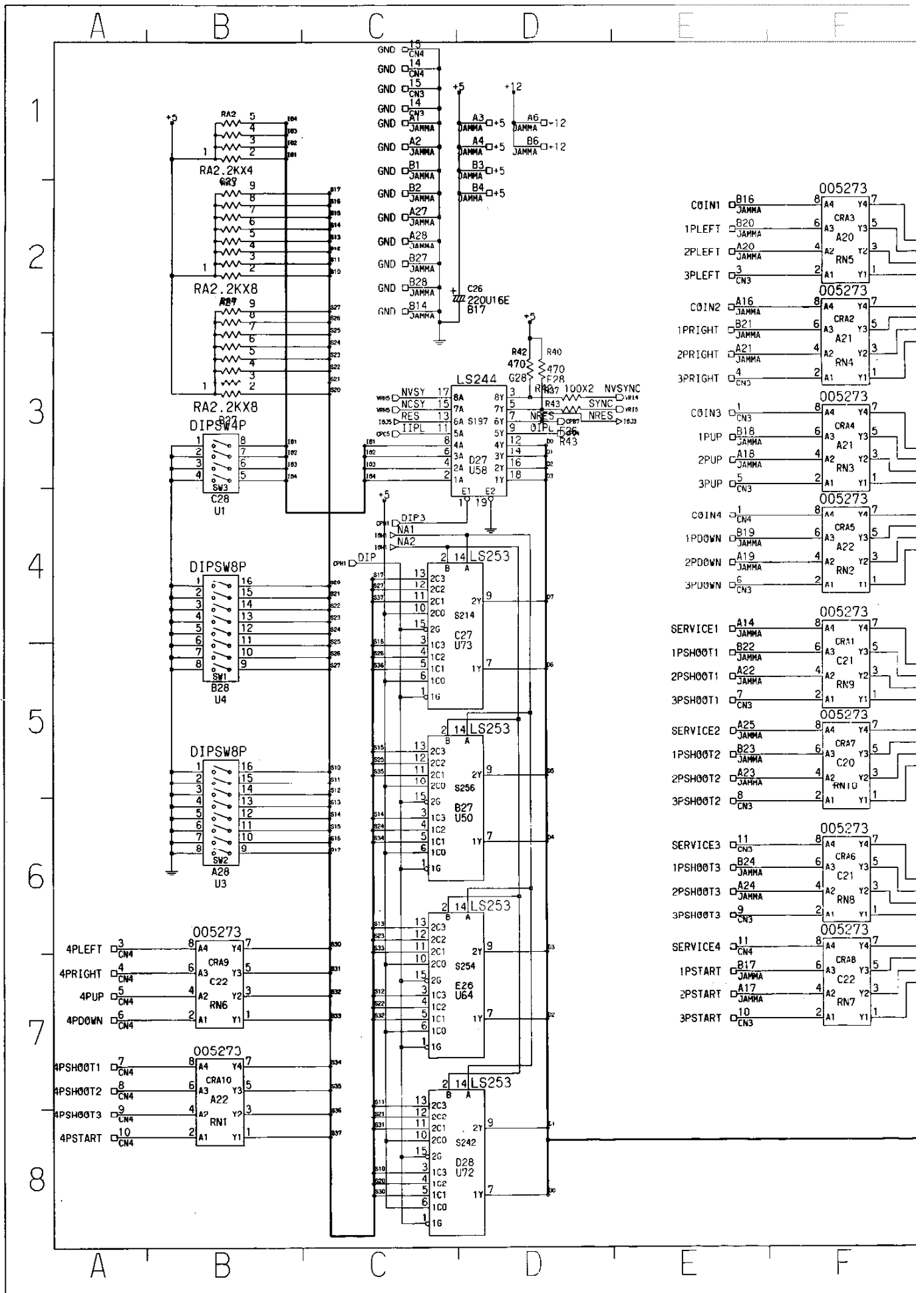


				KONAMI INDUSTRY CO., LTD.		REG. TYPE	SCHEMATIC DIAGRAM
DESIGN	DRAW	CHECK	APPROVE	SND	RELEASE DATE	NAME	GX963 PWB351853A
				SCALE	TOLE-RANCE	CODE NO.	250158 6/7

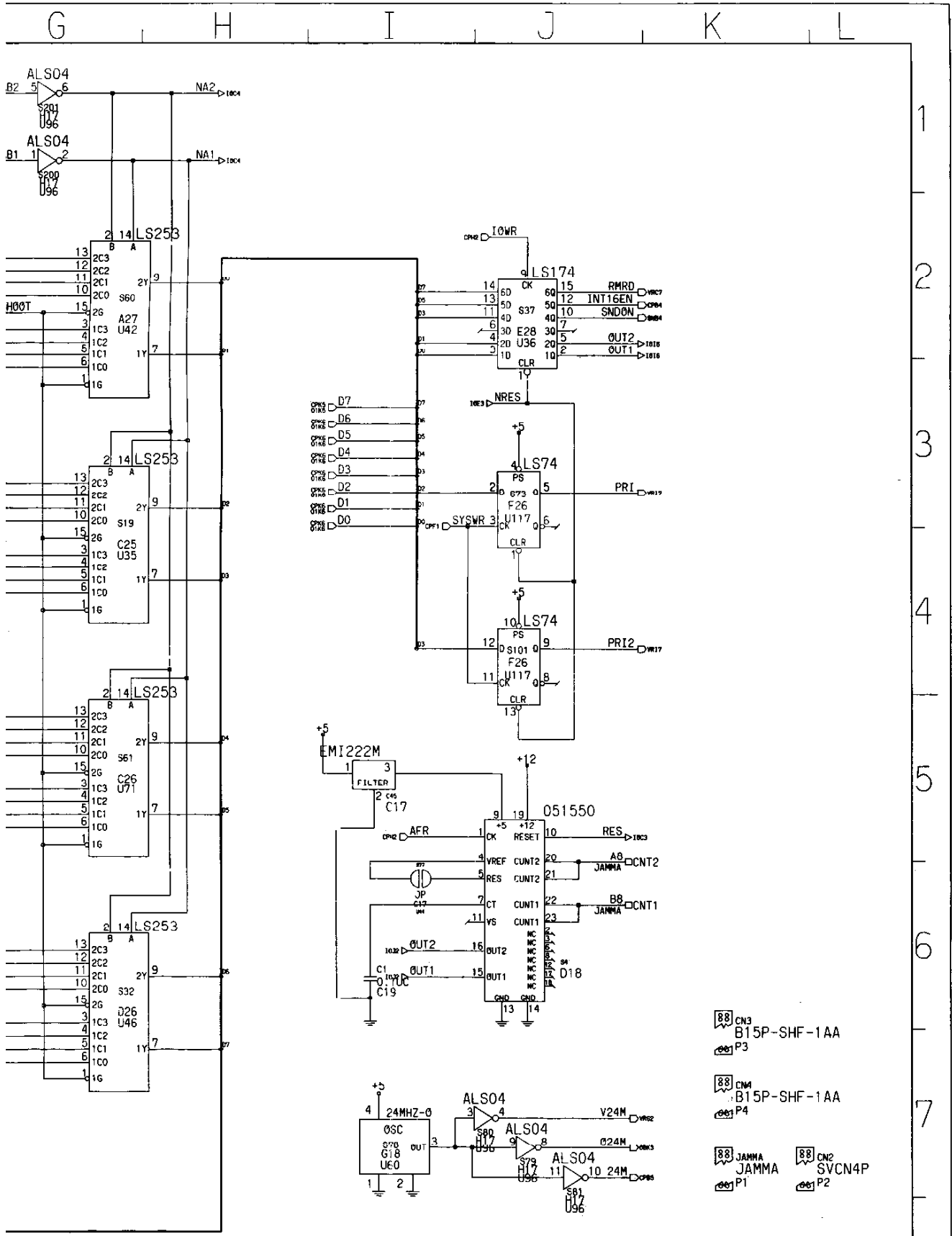




KONAMI				KONAMI INDUSTRY CO.,LTD.		REG. TYPE	SCHEMATIC DIAGRAM
DESIGN	DRAW	CHECK	APPROVE	COLOR	RELEASE DATE	NAME	GX963 PWB351853A
			SCALE	TOLE-RANCE	CODE NO.	250158 5/7	



- | | | | | | |
|----------|-----|---|----|------|---|
| COIN1 | B16 | 8 | A4 | Y4 | 7 |
| 1PLEFT | B20 | 6 | A3 | CRA3 | 5 |
| 2PLEFT | A20 | 4 | A2 | A20 | 3 |
| 3PLEFT | 3 | 2 | A1 | RN5 | 1 |
| COIN2 | A16 | 8 | A4 | Y4 | 7 |
| 1PRIGHT | B21 | 6 | A3 | CRA2 | 5 |
| 2PRIGHT | A21 | 4 | A2 | A21 | 3 |
| 3PRIGHT | 4 | 2 | A1 | RN4 | 1 |
| COIN3 | 1 | 8 | A4 | Y4 | 7 |
| 1PUP | B18 | 6 | A3 | CRA4 | 5 |
| 2PUP | A18 | 4 | A2 | A21 | 3 |
| 3PUP | 5 | 2 | A1 | RN3 | 1 |
| COIN4 | 1 | 8 | A4 | Y4 | 7 |
| 1PDOWN | B19 | 6 | A3 | CRA5 | 5 |
| 2PDOWN | A19 | 4 | A2 | A22 | 3 |
| 3PDOWN | 5 | 2 | A1 | RN2 | 1 |
| SERVICE1 | A14 | 8 | A4 | Y4 | 7 |
| 1PSHOOT1 | B22 | 6 | A3 | CRA1 | 5 |
| 2PSHOOT1 | A22 | 4 | A2 | C21 | 3 |
| 3PSHOOT1 | 7 | 2 | A1 | RN9 | 1 |
| SERVICE2 | A25 | 8 | A4 | Y4 | 7 |
| 1PSHOOT2 | B23 | 6 | A3 | CRA7 | 5 |
| 2PSHOOT2 | A23 | 4 | A2 | C20 | 3 |
| 3PSHOOT2 | 8 | 2 | A1 | RN10 | 1 |
| SERVICE3 | 11 | 8 | A4 | Y4 | 7 |
| 1PSHOOT3 | B24 | 6 | A3 | CRA6 | 5 |
| 2PSHOOT3 | A24 | 4 | A2 | C21 | 3 |
| 3PSHOOT3 | 9 | 2 | A1 | RN8 | 1 |
| SERVICE4 | 11 | 8 | A4 | Y4 | 7 |
| 1PSTART | B17 | 6 | A3 | CRA8 | 5 |
| 2PSTART | A17 | 4 | A2 | C22 | 3 |
| 3PSTART | 10 | 2 | A1 | RN7 | 1 |

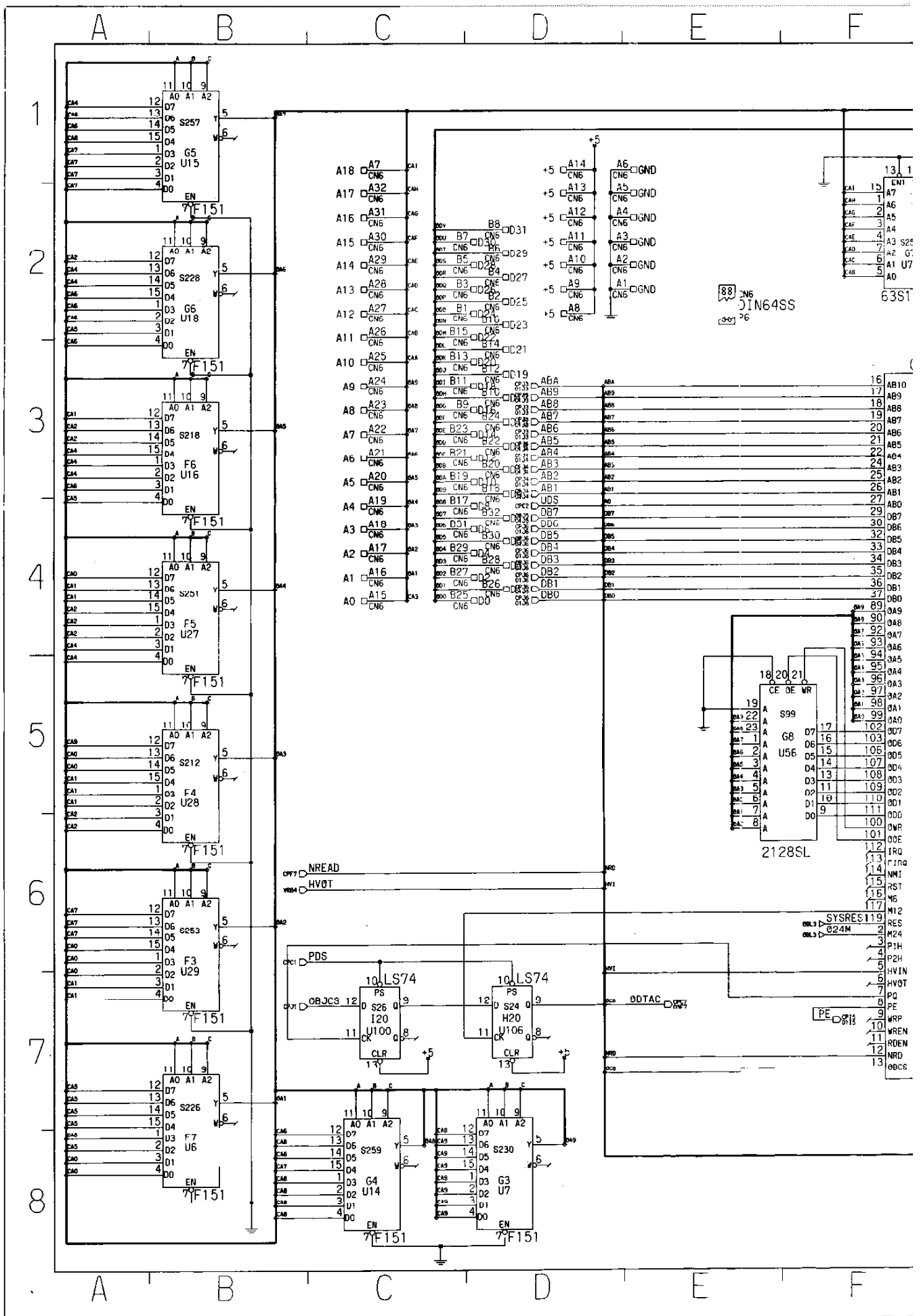


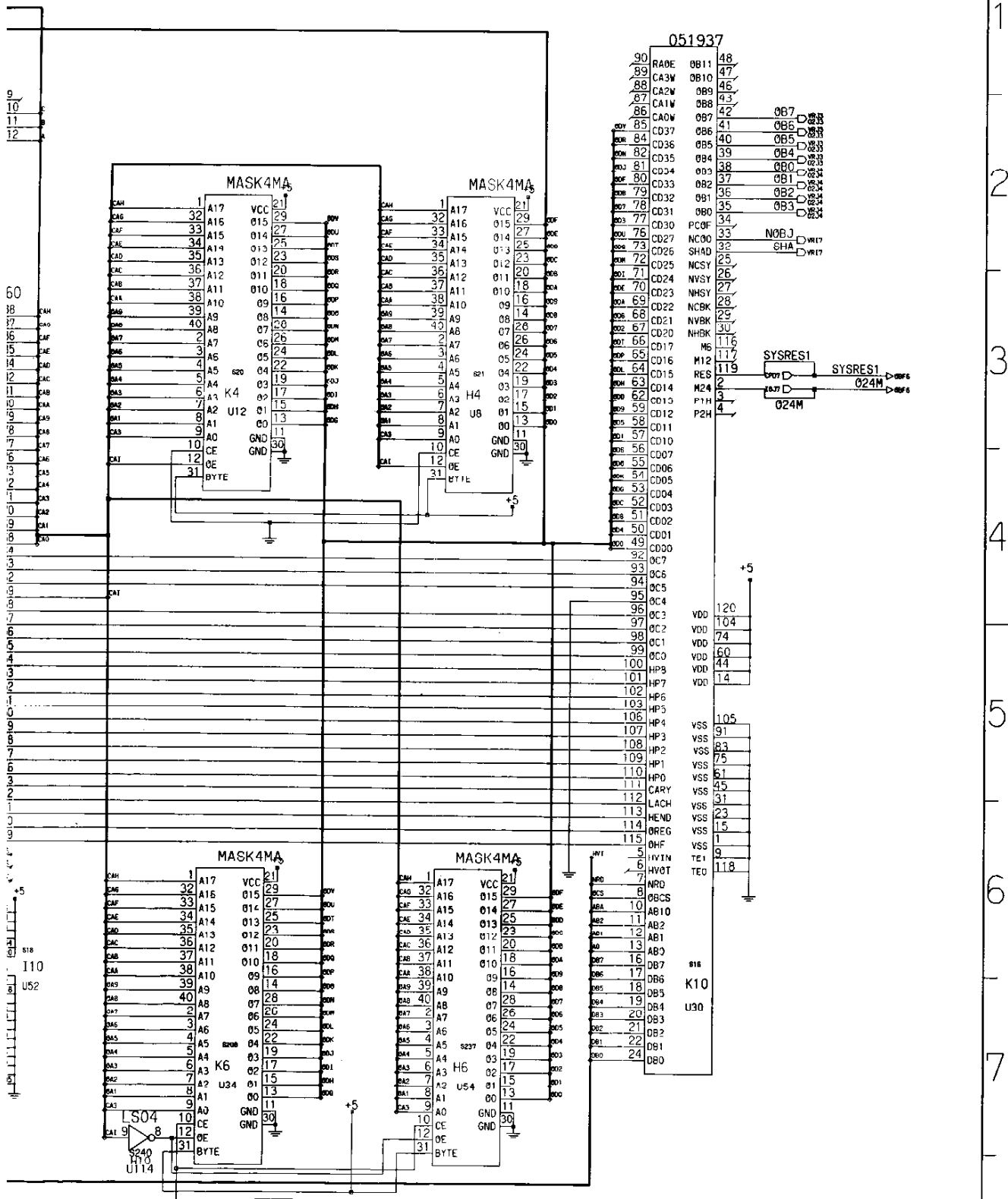
88 CN3 B15P-SHF-1AA
 P3

88 CN4 B15P-SHF-1AA
 P4

88 JAMMA P1
 88 CN2 SVCN4P
 P2

				KONAMI INDUSTRY CO.,LTD.		REG. TYPE	SCHEMATIC DIAGRAM	
DESIGN	DRAW	CHECK	APPROVE	I0	RELEASE DATE	NAME	GX963 PWB351853A	
				SCALE	TOLE-RANCE	CODE NO.	250158 4/7	

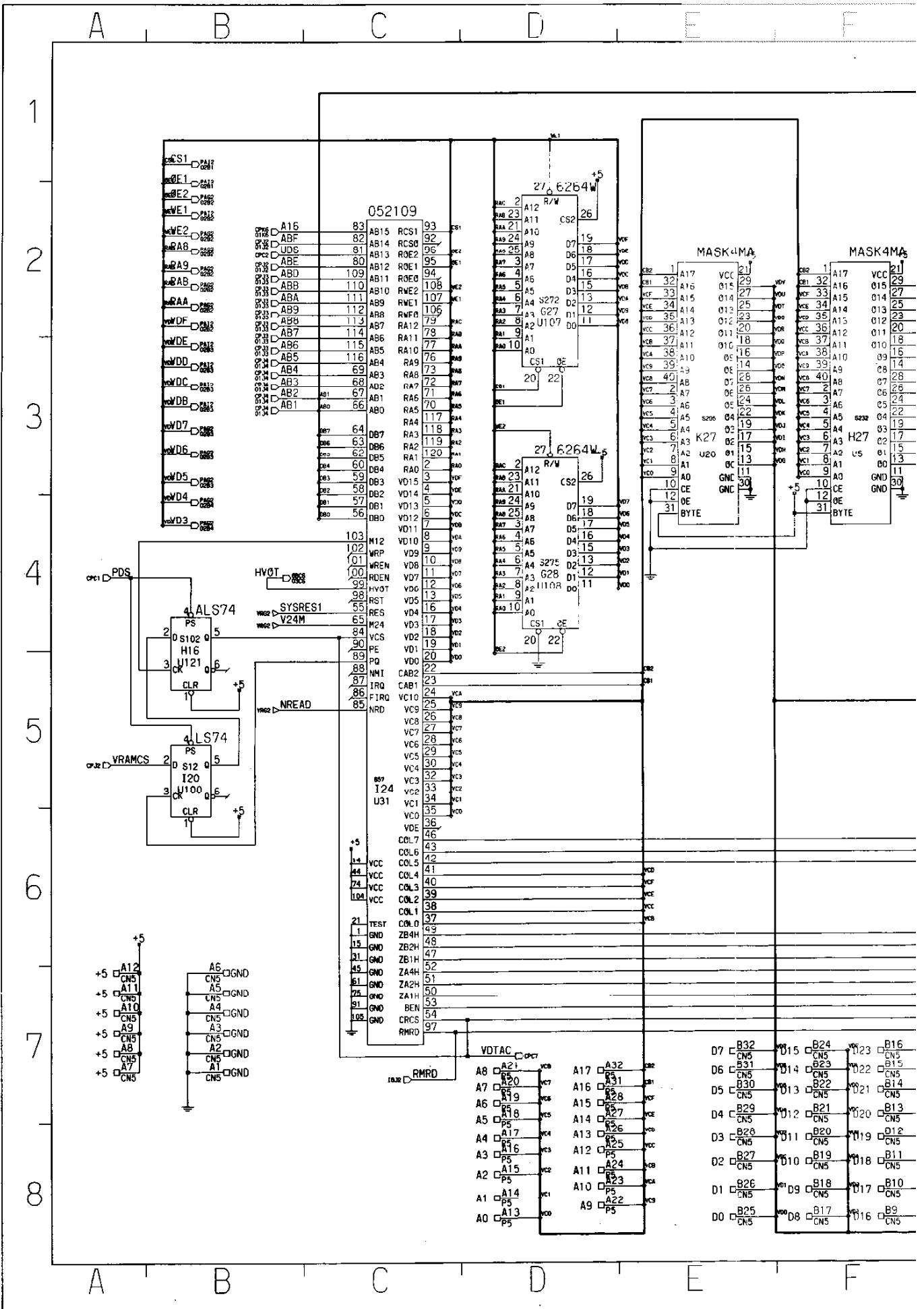


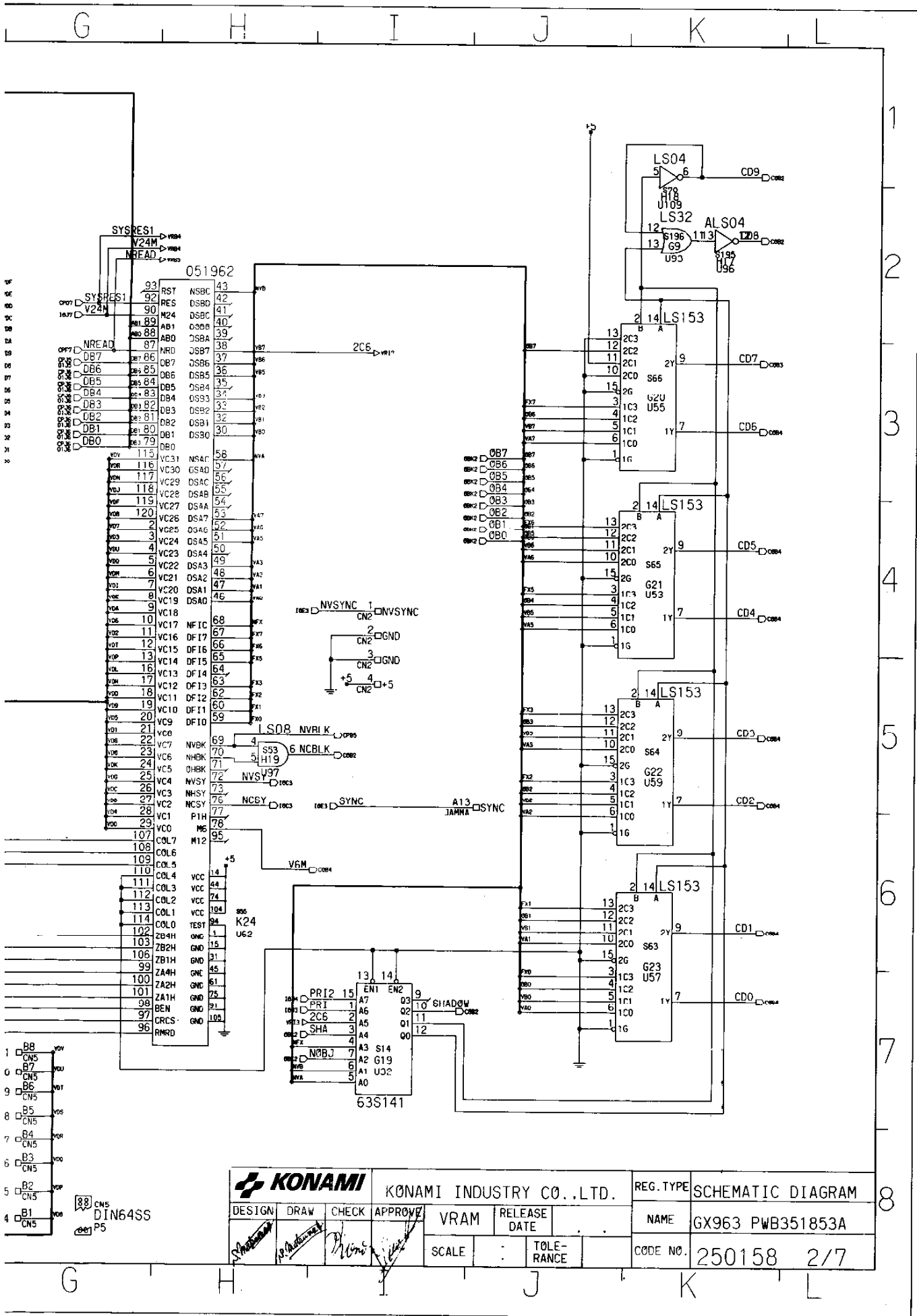


051937

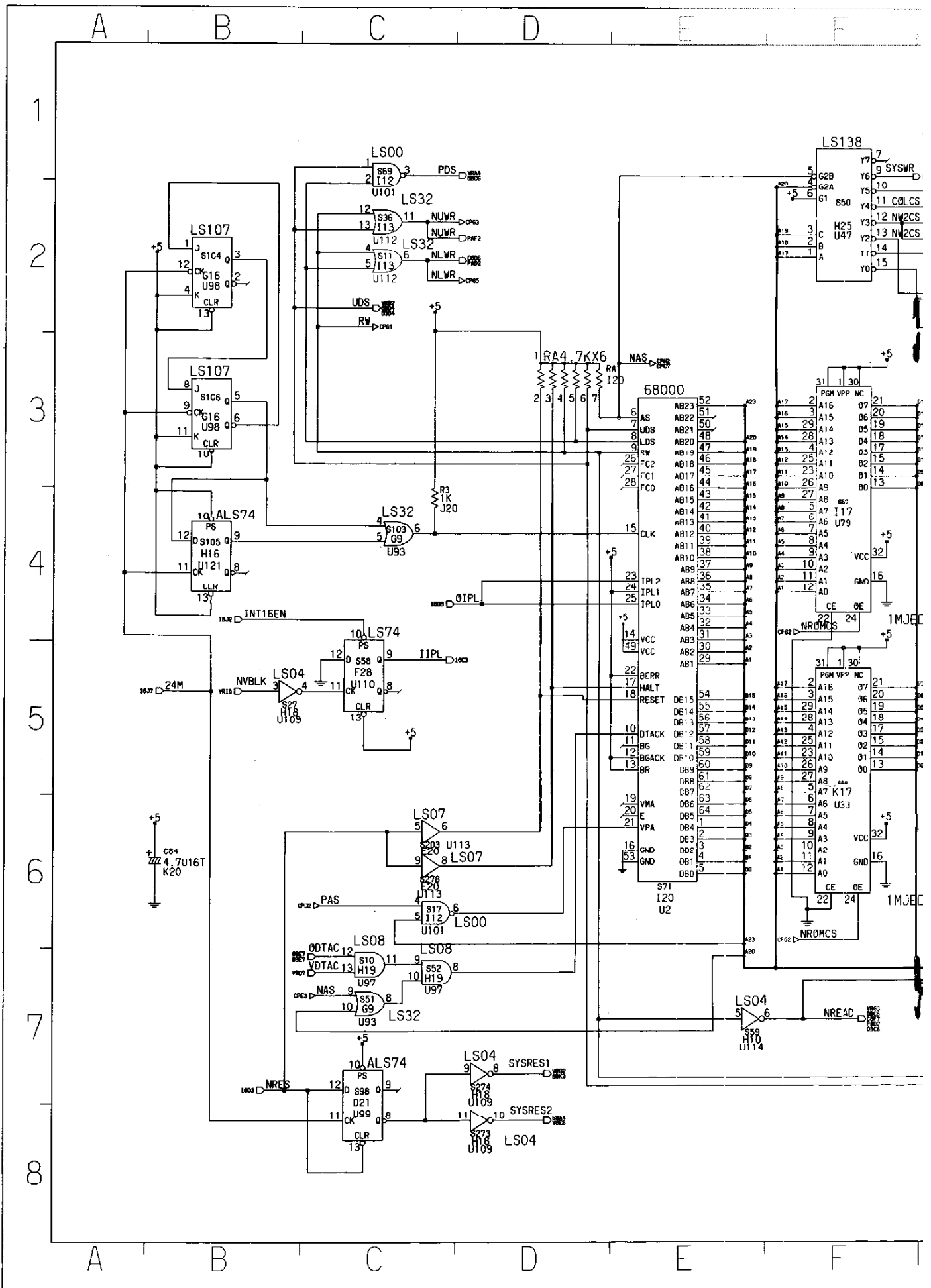
90	RADE	0B11	48
89	CA3W	0B10	47
88	CA2W	0B9	46
87	CA1W	0B8	45
86	CA0W	0B7	44
85	CO37	0B6	43
84	CO36	0B5	42
83	CO35	0B4	41
82	CO34	0B3	40
81	CO33	0B2	39
80	CO32	0B1	38
79	CO31	0B0	37
78	PCOF	0A7	36
77	NCOO	0A6	35
76	SHAD	0A5	34
75	CD25	0A4	33
74	CD24	0A3	32
73	CD23	0A2	31
72	CD22	0A1	30
71	CD21	0A0	29
70	CD20	09F	28
69	CD19	09E	27
68	CD18	09D	26
67	CD17	09C	25
66	CD16	09B	24
65	CD15	09A	23
64	CD14	099	22
63	CD13	098	21
62	CD12	097	20
61	CD11	096	19
60	CD10	095	18
59	CD09	094	17
58	CD08	093	16
57	CD07	092	15
56	CD06	091	14
55	CD05	090	13
54	CD04	08F	12
53	CD03	08E	11
52	CD02	08D	10
51	CD01	08C	9
50	CD00	08B	8
49	OC7	08A	7
48	OC6	089	6
47	OC5	088	5
46	OC4	087	4
45	OC3	086	3
44	OC2	085	2
43	OC1	084	1
42	OC0	083	0
41	HP8	082	118
40	HP7	081	117
39	HP6	080	116
38	HP5	07F	115
37	HP4	07E	114
36	HP3	07D	113
35	HP2	07C	112
34	HP1	07B	111
33	HP0	07A	110
32	CARY	079	109
31	LACH	078	108
30	HEND	077	107
29	VSS	076	106
28	VSS	075	105
27	VSS	074	104
26	VSS	073	103
25	VSS	072	102
24	VSS	071	101
23	VSS	070	100
22	VSS	06F	99
21	VSS	06E	98
20	VSS	06D	97
19	VSS	06C	96
18	VSS	06B	95
17	VSS	06A	94
16	VSS	069	93
15	VSS	068	92
14	VSS	067	91
13	VSS	066	90
12	VSS	065	89
11	VSS	064	88
10	VSS	063	87
9	VSS	062	86
8	VSS	061	85
7	VSS	060	84
6	VSS	05F	83
5	VSS	05E	82
4	VSS	05D	81
3	VSS	05C	80
2	VSS	05B	79
1	VSS	05A	78
0	VSS	059	77

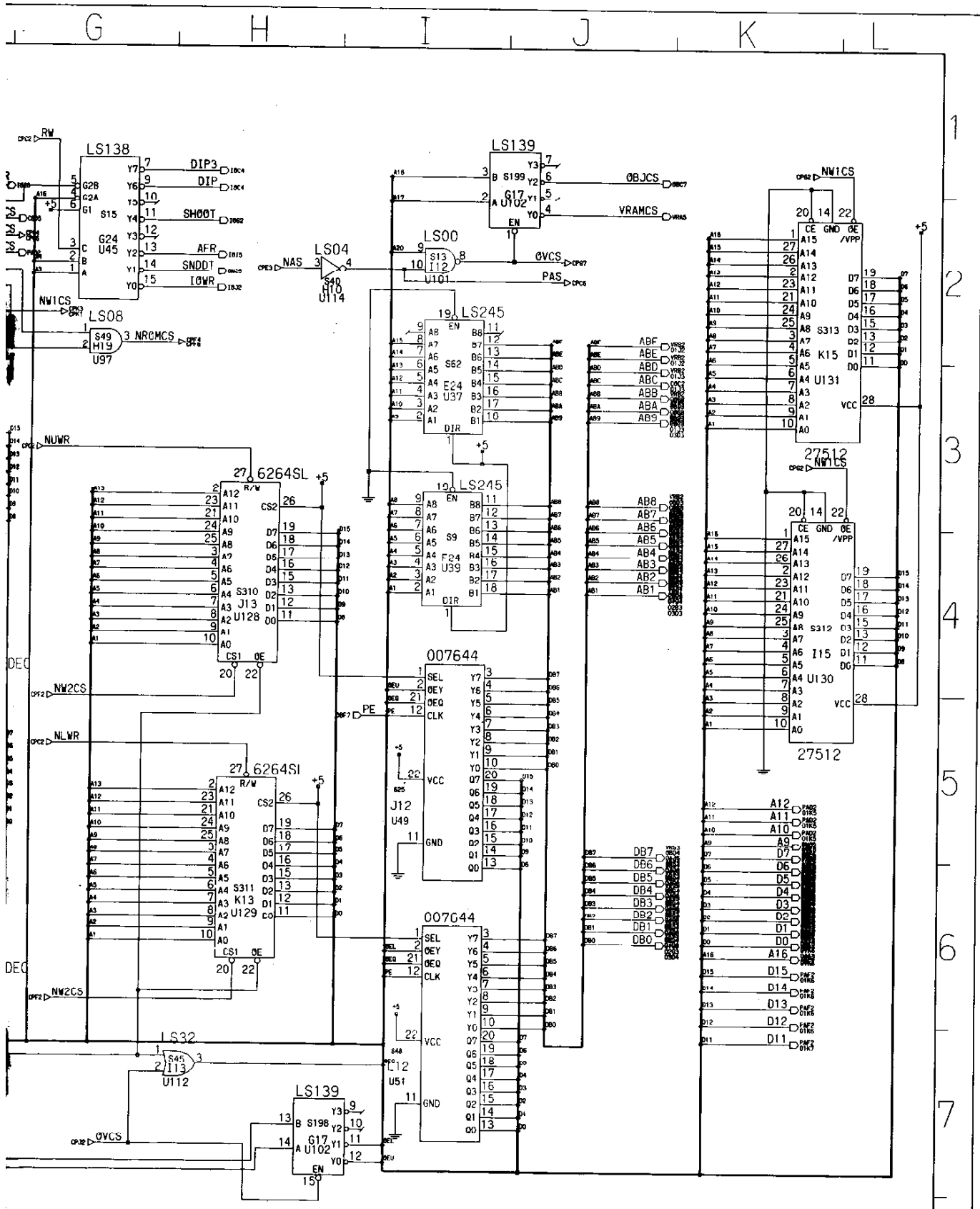
KONAMI				KONAMI INDUSTRY CO.,LTD.		REG. TYPE	SCHEMATIC DIAGRAM
DESIGN	DRAW	CHECK	APPROVE	OBJ	RELEASE DATE	NAME	GX963 PWB351853A
						CODE NO.	250158 3/7
				SCALE		TOL- RANCE	





KONAMI				KONAMI INDUSTRY CO.,LTD.		REG. TYPE	SCHEMATIC DIAGRAM
DESIGN	DRAW	CHECK	APPROVE	VRAM	RELEASE DATE	NAME	GX963 PWB351853A
				SCALE	TOLE-RANCE	CODE NO.	250158 2/7





KONAMI				KONAMI INDUSTRY CO., LTD.		REG. TYPE	SCHEMATIC DIAGRAM
DESIGN	DRAW	CHECK	APPROVE	CPU	RELEASE DATE	NAME	GX963 PWB351853A
				SCALE	TOLE-RANCE	CODE NO.	250158 1/7

USER INFORMATION
WARNING

F.C.C. REGULATION COMPLIANCE

THIS EQUIPMENT COMPLIES WITH THE REQUIREMENTS IN PART 15 OF FCC RULES FOR A CLASS A COMPUTING DEVICE. OPERATION OF THIS EQUIPMENT IN A RESIDENTIAL AREA MAY CAUSE UNACCEPTABLE INTERFERENCE TO RADIO AND TV RECEPTION, REQUIRING THE OPERATOR TO TAKE WHATEVER STEPS ARE NECESSARY TO CORRECT THE INTERFERENCE.



900 Deerfield Parkway, Buffalo Grove, Illinois 60089-4510
Telephone: (312) 215-5100, Telex: 6871385 KONAM UW, Fax: (312) 215-5122