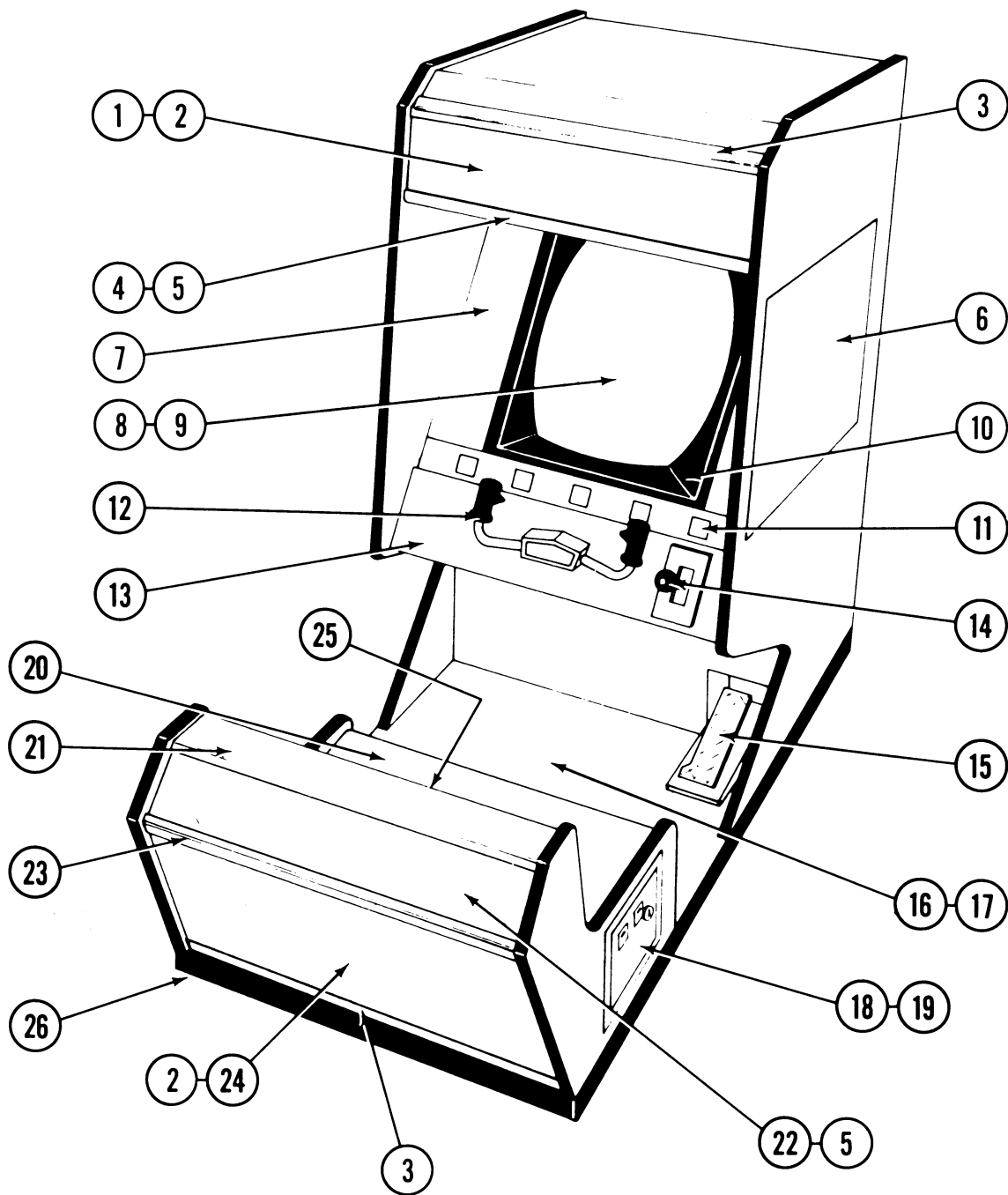


NO. 307 - SPY HUNTER SIT DOWN - FRONT



NOTE: DRAWING MAY DIFFER SLIGHTLY FROM ACTUAL ASSEMBLY

NO. 307 - SPY HUNTER SIT DOWN - FRONT PARTS LIST

ORDER BY PART NUMBER ONLY

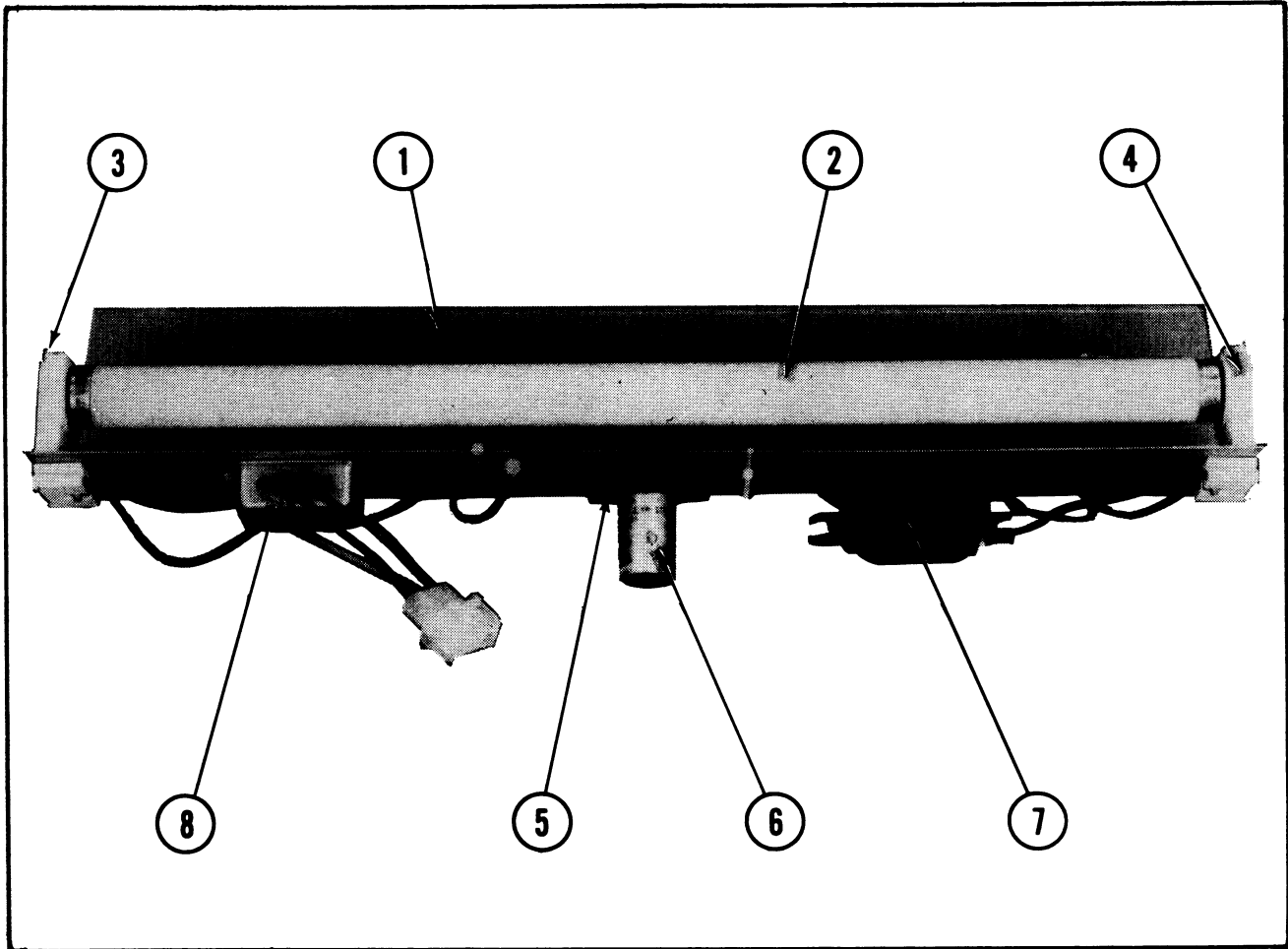
ITEM	PART NO.	DESCRIPTION
1	0307-00902-00XF	HEADER GLASS - MAIN
2	A595-00011-0000	HEADER FLUORESCENT LIGHT ASSY. (3 REQ'D)
3	0336-00103-00XF	HEADER RETAINER BRKT. (2 REQ'D)
	0017-00101-0138	#8X5/8 TORX PAN HD. TAMPER PROOF SCREW (4 REQ'D)
4	A307-00014-00XF	FRONT SPEAKER GRILLE ASSY.
5	0017-00003-0430	6"X9" SPEAKER 4 OHM, 10W (4 REQ'D)
	0017-00101-0136	#8-32X1-1/4 CARRIAGE BOLT (24 REQ'D)
	0017-00103-0061	#8-32 HEX NUT W/SEMS (24 REQ'D)
6	0307-00913-0100	DECAL - RIGHT
	0307-00913-0200	DECAL - LEFT
7	0307-00905-00XF	MAIN VIEWING GLASS
8	0017-00003-0339	ELECTROHOME - 19" COLOR HORIZ MONITOR (OR)
	0017-00003-0439	WELLS-GARDNER - 19" COLOR HORIZ MONITOR (OR)
	0017-00003-0454	ZENITH - 19" COLOR HORIZ MONITOR
	0349-00101-0000	MONITOR SUPPORT RAIL (2 REQ'D)
	0555-00901-0000	PLASTIC LOCATING PIN (4 REQ'D)
	0017-00101-0141	#8X11/16 UNSLOT HEX HD M.S. (8 REQ'D)
9	0314-00902-0000	PLEXI - GLASS
	0508-00901-0000	PLEXI - GLASS MTG CLIPS (4 REQ'D)
	0017-00101-0017	#6X1/2 BLK SLT HEX HD SCR (4 REQ'D)
10	0307-00918-0000	T.V. BEZEL
11	A307-00044-0000	LIGHT PANEL ASSY.
	0360-00935-0000	SMALL SHADOW BOX (5 REQ'D)
	0017-00003-0219	#194 WEDGE BASE LAMP -14V., .27A. (5 REQ'D)
	0017-00031-0030	WEDGE BASE LAMP SOCKET (5 REQ'D)
12	A307-00018-0000	WELD STUD & CONTROL SHELF ASSY.
	0307-00911-0000	DECORATIVE OVERLAY
	0307-00132-0100	CONTROL SHELF MTG. BRKT. - RIGHT
	0307-00132-0200	CONTROL SHELF MTG. BRKT. - LEFT
	0555-00901-0000	PLASTIC LOCATING PINS (4 REQ'D)
	0017-00009-0534	BASSICK CLAMP (2 REQ'D)
	0610-00132-00ZN	STRIKE (2 REQ'D)
	0017-00101-0141	#8X11/16 UNSLOT HEX HD SCR (12 REQ'D)
	0307-00117-00XF	CONTROL SHELF HINGE
13	A307-00042-0000	CONTROL HANDLE ASSY.
14	A307-00038-0000	GEAR SHIFT ASSY.
15	A307-00033-0000	ACCELERATOR PEDAL ASSY.
16	0307-00116-0000	FLOOR
17	0307-00917-0000	DECORATIVE FLOOR OVERLAY
	0017-00101-0138	#8X5/8 TORX PAN HD. TAMPER PROOF SCR (8 REQ'D)
18	A982-00014-0004	50¢ DOUBLE COIN DOOR & CABLE ASSY.
	0017-00009-0477	MOLDED CASH BOX
	A894-00025-0000	CASH BOX COVER ASSY.
	A894-00024-0000	CASH BOX SIDE CHANNEL ASSY. - LONG
	0894-00121-0000	CASH BOX SIDE CHANNEL - LONG
19	0090-00002-04BK	LARGE COIN DOOR FRAME
	0017-00101-0121	#6-32X5/16 PHIL TRS HD SCR. (3 REQ'D)(MOUNTS COIN DOOR TO FRAME)
20	0307-00919-0000	SEAT ARRANGEMENT

**NO. 307 - SPY HUNTER SIT DOWN - FRONT PARTS LIST**

ORDER BY PART NUMBER ONLY

ITEM	PART NO	DESCRIPTION
21	0307-00121-00XF	SEAT COPING
22	0307-00903-00XF	REAR SEAT HEADER - INSTRUCTIONS
23	0307-00119-00XF	REAR HEADER BRKT. - MIDDLE
	0017-00101-0138	#8X5/8 TORX PAN HD TAMPER PROOF SCREW (13 REQ'D)
24	0307-00904-00XF	DISPLAY HEADER REAR - BOTTOM
25	A307-00015-00XF	REAR SPEAKER GRILLE ASSY. (NOT SEEN)
26	0017-00102-0048	3/8-16X2" LEG LEVELERS (8 REQ'D)
	0017-00103-0026	3/8-16 LEG LEVELERS HEX NUTS (8 REQ'D)
		<b>ADDITIONAL PARTS LIST</b>
	A307-00007-0000	CARD RACK W/BOARDS ASSY.
	A084-91657-A307	SOUND I/O P.C. BOARD ASSY.
	A307-00025-0000	SHIELD & BARRIER ASSY.
	0017-00101-0339	#6-32X3/8 PHIL RND. HD. SCREW (4 REQ'D)
	A084-91442-AA27	C.P.U. MCR-3 P.C. BOARD ASSY.
	A307-00026-0000	SHIELD ASSY. - INNER
	A084-91433-AA27	VIDEO GEN. MCR-3 P.C. BOARD ASSY.
	A307-00027-0000	SHIELD ASSY. - OUTER
	0017-00101-0153	#6-32X1" PHIL RND. HD. SCREW (8 REQ'D)
	A088-00016-0000	INTERLOCK SWITCH & SPRING BRKT. ASSY.
	0303-00904-0000	INTERLOCK SWITCH COVER
	A945-00038-0000	ON-OFF SWITCH & PLATE ASSY.
	A307-00034-0000	MULTIFUNCTION SWITCH/BRACKET ASSY.
	A945-00020-0000	POWER CHASSIS ASSY. - 125VA., 115V
	A945-00019-0000	LINE CORD ASSY. - 115V
	A084-91648-A000	DUAL POWER AMP W/MIXER ASSY. (2 REQ'D)
	A084-91649-C000	ABSOLUTE POSITION P.C. ASSY.
	A084-91673-B000	LAMP DRIVER P.C. BOARD ASSY.
	A084-91671-AA27	CHEAP SQUEAK P.C.B. ASSY.
	A084-90412-D000	POWER SUPPLY - 125VA
	0624-00902-0100	P.C. SUPPORT BRKT. - 12" LG (2 REQ'D)
	0624-00902-0200	P.C. SUPPORT BRKT. - 10" LG (2 REQ'D)
	0624-00902-0400	P.C. SUPPORT BRKT. - 4" LG (2 REQ'D)
	0624-00902-0500	P.C. SUPPORT BRKT. - 6-1/2" LG (2 REQ'D)
	0017-00104-0037	#8 FLAT WASHER (20 REQ'D)
	0017-00101-0141	#8X11/16 UNSLOT HEX HD. SCR. (20 REQ'D)
	A097-00009-0000	BACK DOOR LOCK ASSY.
	0618-00117-00XF	VENT GRILLE (4 REQ'D) - BACK DOOR

### HEADER FLOURESCENT FIXTUTRE ASSY.

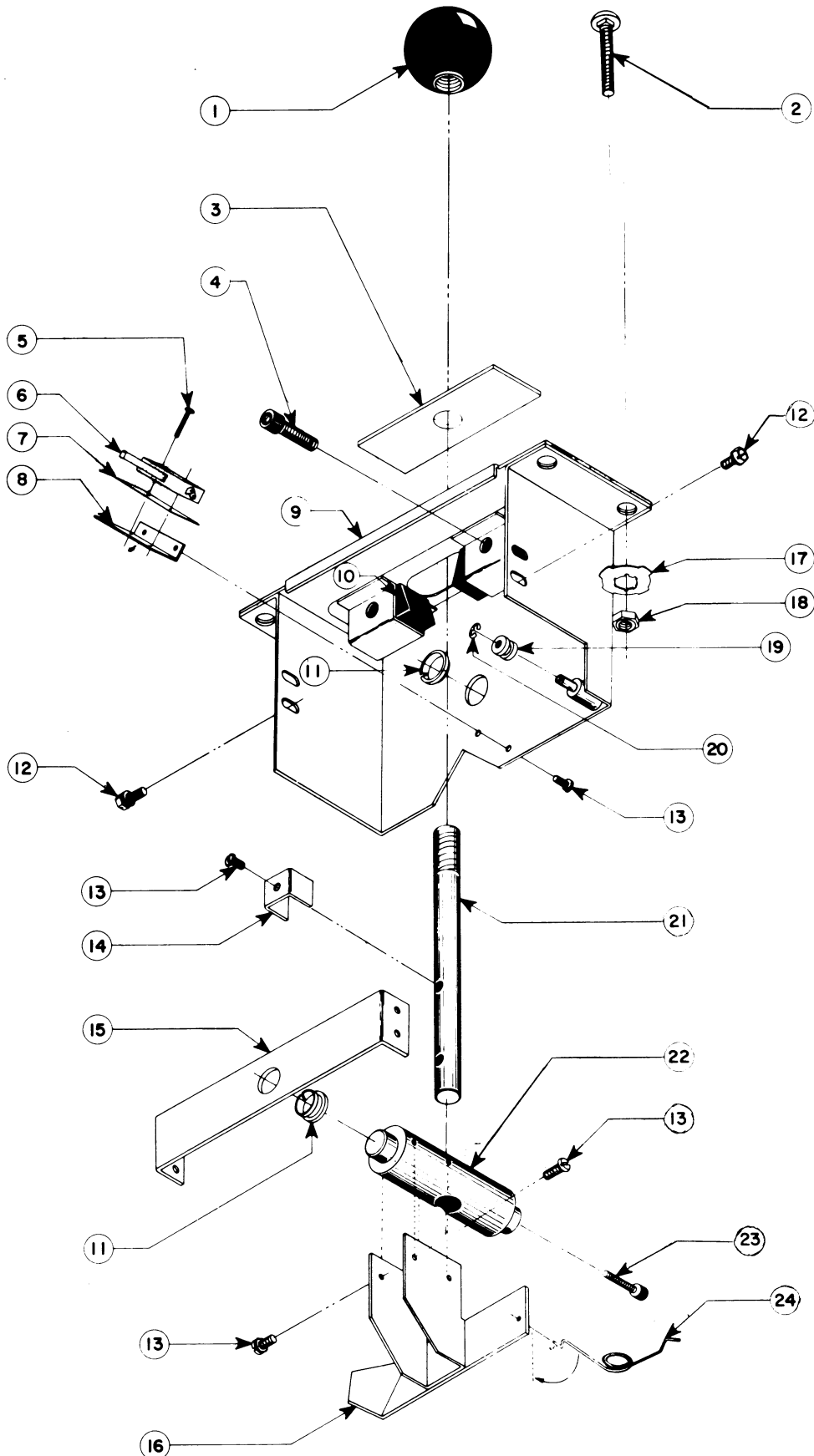


### HEADER FLOURESCENT FIXTUTRE ASSY. - PARTS LIST

ORDER BY PART NUMBER ONLY

ITEM	PART NO.	DESCRIPTION
1	0595-00105-0000	FLUORESCENT BRKT.
2	0017-00003-0043	18" COOL WHITE FLUORESCENT LAMP
3	0017-00003-0445	LAMP LOCKS (2 REQ'D.)
4	0017-00031-0036	FLUORESCENT SOCKET (2 REQ'D.)
5	0017-00003-0412	FLUORESCENT STARTER HOLDER W/LEADS
	0017-00101-0573	#6-32 x 1/2 PHIL. RND. HD. M.S. (4 REQ'D.)
	0017-00104-0009	#6 EXT. WASHER (4 REQ'D.)
6	0017-00003-0019	FLUORESCENT STARTER
7	0017-00003-0026	BALLAST
	0017-00101-0598	#8-32 x 5/16 SLT. HEX HD. SCR. (4 REQ'D.)
8	A961-00042-0000	LINE FILTER ASSY.

# SPY HUNTER - GEAR SHIFT ASSY.



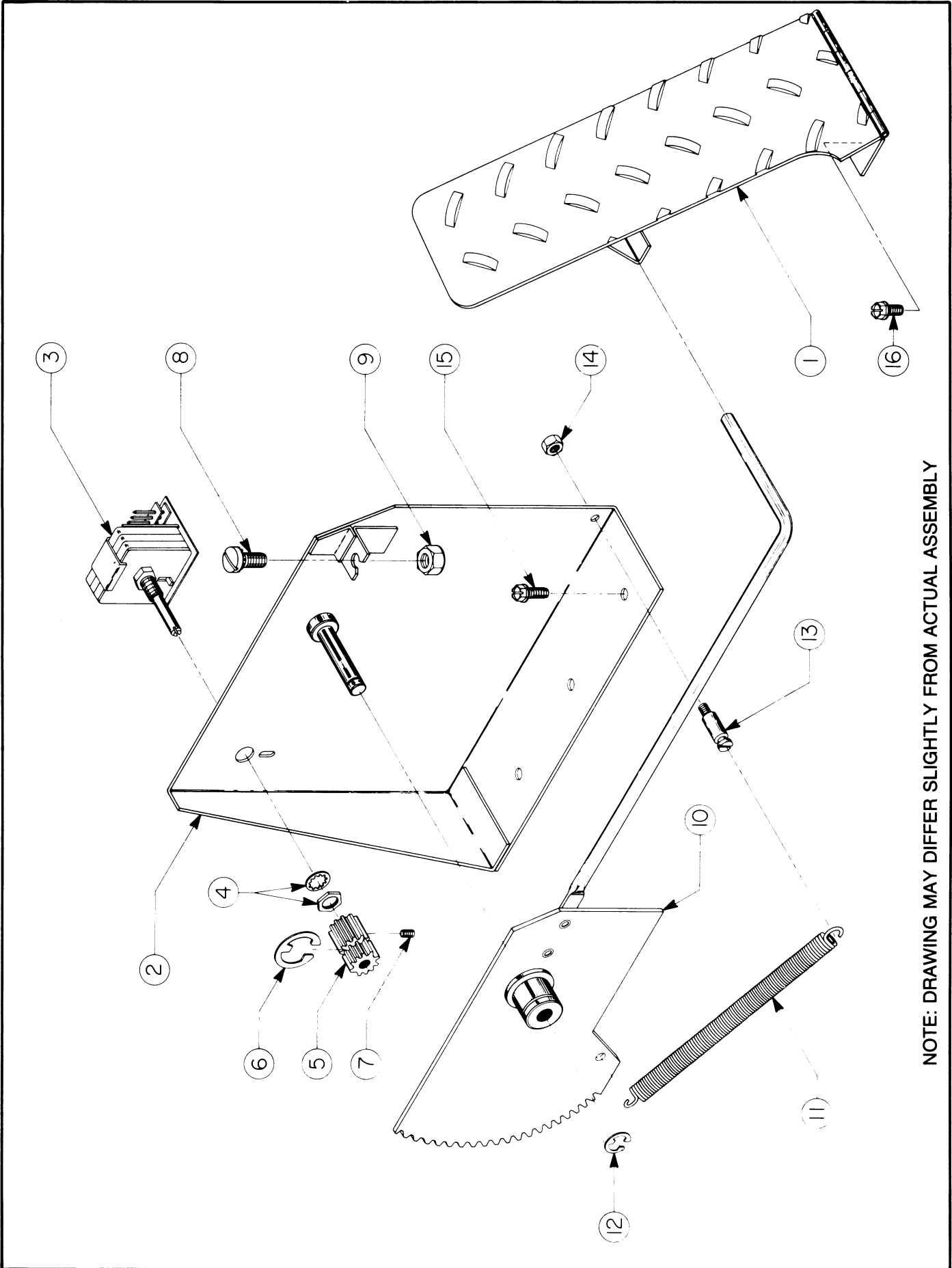
NOTE: DRAWING MAY DIFFER SLIGHTLY FROM ACTUAL ASSEMBLY

**SPY HUNTER - GEAR SHIFT ASSY. - PARTS LIST**

ORDER BY PART NUMBER ONLY

ITEM	PART NO.	DESCRIPTION
1	0017-00009-0561	BALL KNOB
2	0017-00102-0019	1/4-20X1-1/2 CARRIAGE BOLT (4 REQ'D)
3	0307-00912-0000	ROUND SLIDE
4	0017-00101-0668	#10-32X1" HEX SOCKET HD CAP SCREW (2 REQ'D)
5	0017-00101-0155	#4-40X9/16 PHIL PAN HD M.S. (2 REQ'D)
6	0017-00032-0006	CHERRY SWITCH
7	0307-00916-0000	SWITCH INSULATOR
8	0307-00133-0000	SWITCH MTG BRKT.
9	A307-00040-0000	CONTROL HOUSING/BEARING ASSY.
10	0941-00905-0000	BUMPERS (2 REQ'D)
11		NOT USED
12	0017-00101-0179	#10-32X3/8 PHIL PAN HD M.S. (4 REQ'D)
13	0017-00101-0593	#8-32X1/4 PAN HD M.S. W/SEMS (6 REQ'D)
14		NOT USED
15	A307-00041-0000	PLATE/BEARING ASSY.
16	A307-00036-0000	BRACKET & PLATE ASSY.
17	0017-00104-0014	PERIPHERY WASHER (4 REQ'D)
18	0017-00103-0018	1/4-20 HEX NUT (4 REQ'D)
19	0591-00702-0000	ROLLER SPRING
20	0017-00100-0015	5/32" E-RING
21	0307-00709-00XF	GEAR SHIFT ROD
22	0307-00702-00XF	PIVOT BUSHING
	A307-00039-0000	SHIFT & ROD ASSY. (ITEMS 21 & 22)
23		NOT USED
24	0010-00227-0000	TORSION SPRING

SPY HUNTER - ACCELERATOR PEDAL ASSY. SIT DOWN



NOTE: DRAWING MAY DIFFER SLIGHTLY FROM ACTUAL ASSEMBLY

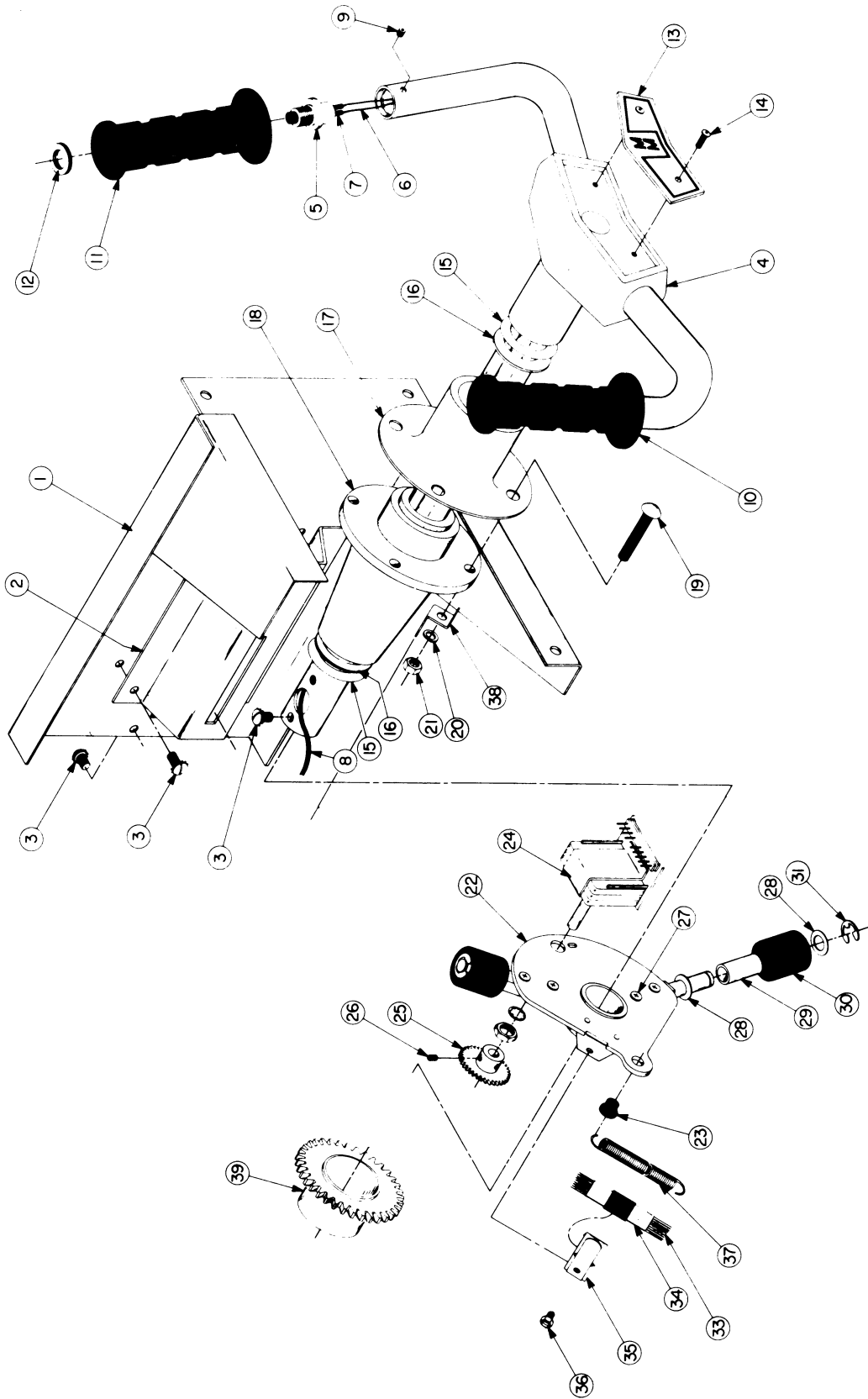
**SPY HUNTER - ACCELERATOR PEDAL ASSY. SIT DOWN - PARTS LIST**

ORDER BY PART NUMBER ONLY

ITEM	PART NO.	DESCRIPTION
1	A307-00016-00XF	ACCELERATOR PEDAL & HINGE ASSY.
2	A307-00017-0000	MOUNTING BRKT. ASSEMBLY
3	105E-00004-0002	POT
4		NOT USED
5	0307-00708-0000	GEAR
	A307-00032-0000	POT & GEAR ASSY. (ITEMS 3 & 5)
6		NOT USED
7		NOT USED
8	0017-00101-0785	1/4-20X1/4 SLT PAN HD EXT. M.S.
9	0653-00734-0000	STOP-POT LIMIT
10	A307-00024-0000	GEAR & LEVER ASSY.
11	0010-00228-0000	PEDAL SPRING
12	0017-00100-0122	E-RING
13	0307-00703-00XF	POST-PIVOT
14	0017-00103-0081	#10-32 HEX NUT W/SEMS
15	0017-00101-0769	#10X3/4 SLT HEX HD W/WASHER M.S. (3 REQ'D)
16	0017-00101-0598	#8-32X5/16 SLT HEX HD M.S. (2 REQ'D)
	0921-00700-0000	PLASTIC ACTUATOR - (GEAR & LEVER ASSY. SHAFT)
	0307-00125-00XF	ACCEL. PEDAL & CONTROL MTG. BRKT. - (FLOOR PLATE)
	0307-00124-00XF	PLATE COVER - (WALL PLATE)



SPY HUNTER - STEERING CONTROL ASSY.



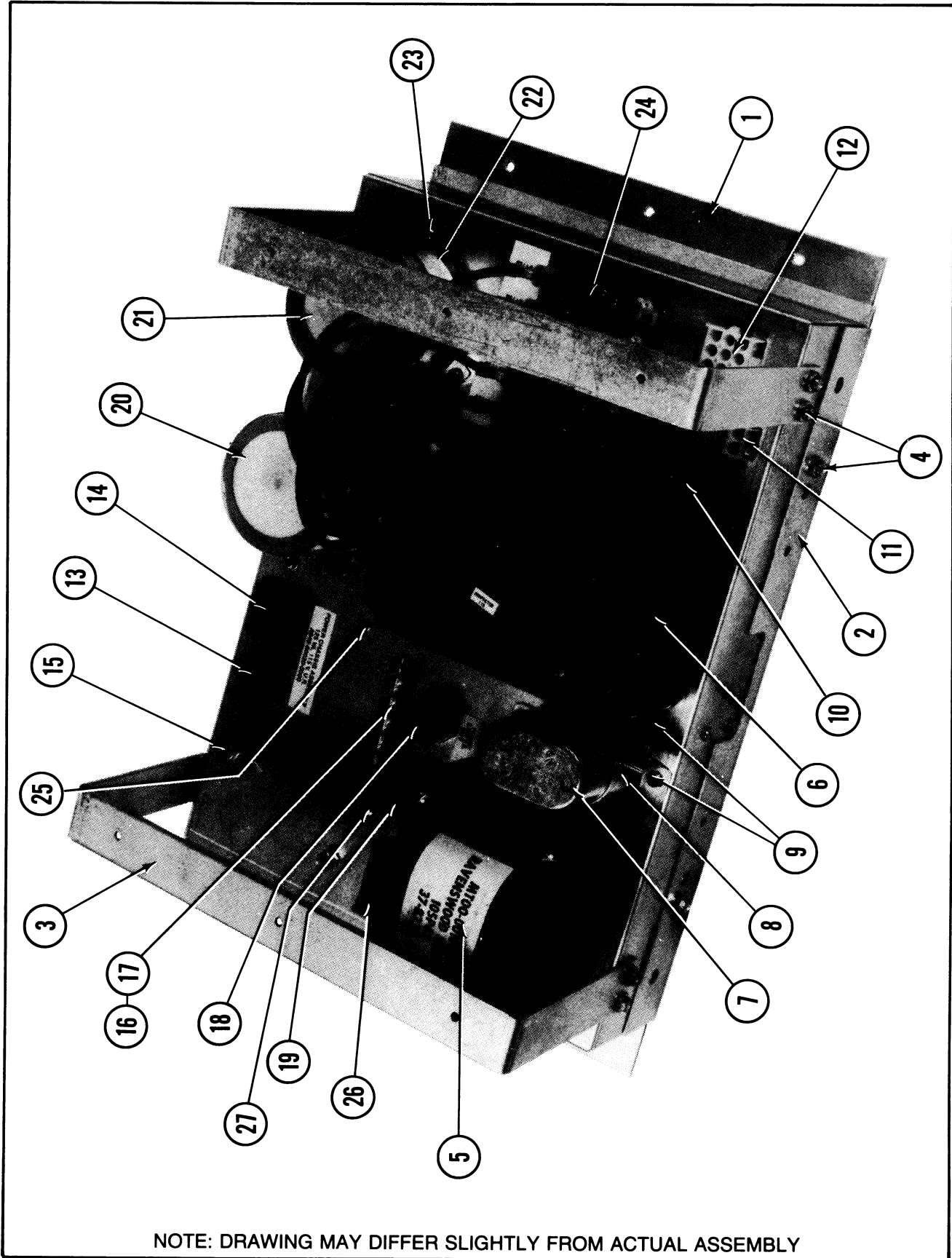
NOTE: DRAWING MAY DIFFER SLIGHTLY FROM ACTUAL ASSEMBLY

**SPY HUNTER - STEERING CONTROL ASSY. - PARTS LIST**

**ORDER BY PART NUMBER ONLY**

<b>ITEM</b>	<b>PART NO.</b>	<b>DESCRIPTION</b>
1	A307-00023-0000	BASE & BRACE ASSY.
2	0307-00114-0000	STOP BRKT.
3	0017-00101-0179	#10-32X3/8 PHIL PAN HD. S.M.S. (4 REQ'D)
4	A307-00028-0000	BASE, TUBE & HANDLE ASSY.
5	0017-00032-0130	PUSH BUTTON SWITCH (2 REQ'D)
	0017-00032-0132	MICRO SWITCH (2 REQ'D)
	0307-00909-0000	RED BUTTON (2 REQ'D)
	0307-00123-01XF	SWITCH MTG. BRKT. - RIGHT
	0307-00123-02XF	SWITCH MTG. BRKT. - LEFT
	0307-00908-0000	TRIGGER (2 REQ'D)
6-9		NOT USED
10	A307-00013-0200	GRIP ASSY. - LEFT
11	A307-00013-0100	GRIP ASSY. - RIGHT
12		NOT USED
13	0307-00100-00XF	STEERING WHEEL BASE PLATE
	0017-00032-0129	ILLUMINATED R.P.B. SWITCH
14	0017-00101-0149	#10-32X3/8 BUT. HD. M.S. (2 REQ'D)
	0307-00910-0000	7" BELLOW (MOUNTED ON HANDLE TUBE) (2 REQ'D)
15	0017-00041-0617	RING - NEOPRENE (2 REQ'D)
16	0645-00913-0000	WASHER - FRICTION (2 REQ'D)
17	0645-00905-0000	SHROUD
18	A645-00012-0000	PEDESTAL ASSY.
19	0017-00102-0019	1/4-20X1-1/2 CARRIAGE BOLT (4 REQ'D)
20	0017-00104-0005	1/4 - SPLIT LOCK WASHER (4 REQ'D)
21	0017-00103-0019	1/4-20 LOCK NUT (4 REQ'D)
22	A307-00022-0000	STOP PLATE ASSY.
23	0017-00042-0624	SNAP BUSHING - 3/16" (4 REQ'D)
24	105E-00004-0002	POT
25	0307-00708-0000	GEAR
	A307-00032-0000	POT & GEAR ASSY. (ITEMS 24-26)
26	0017-00007-0065	ROLL PIN
27	0017-00101-0658	#10-32X5/8 PHIL PAN HD. M.S. (4 REQ'D)
28	0017-00104-0032	FLAT WASHER (4 REQ'D)
29	0645-00906-0000	BEARING (2 REQ'D)
30	0307-00914-0000	RUBBER BUMPER (2 REQ'D)
31	0017-00100-0031	E-RING - 5/16" (2 REQ'D)
32-36		NOT USED
37	0010-00275-0379	EXTENSION SPRING (2 REQ'D)
38		NOT USED
39	0307-00705-0000	42 TOOTH GEAR
	0307-00113-0000	POT MTG. BRKT.
	A307-00046-0000	PLATE & BEARING ASSY.

— POWER CHASSIS ASSY. — 125VA., 115V.

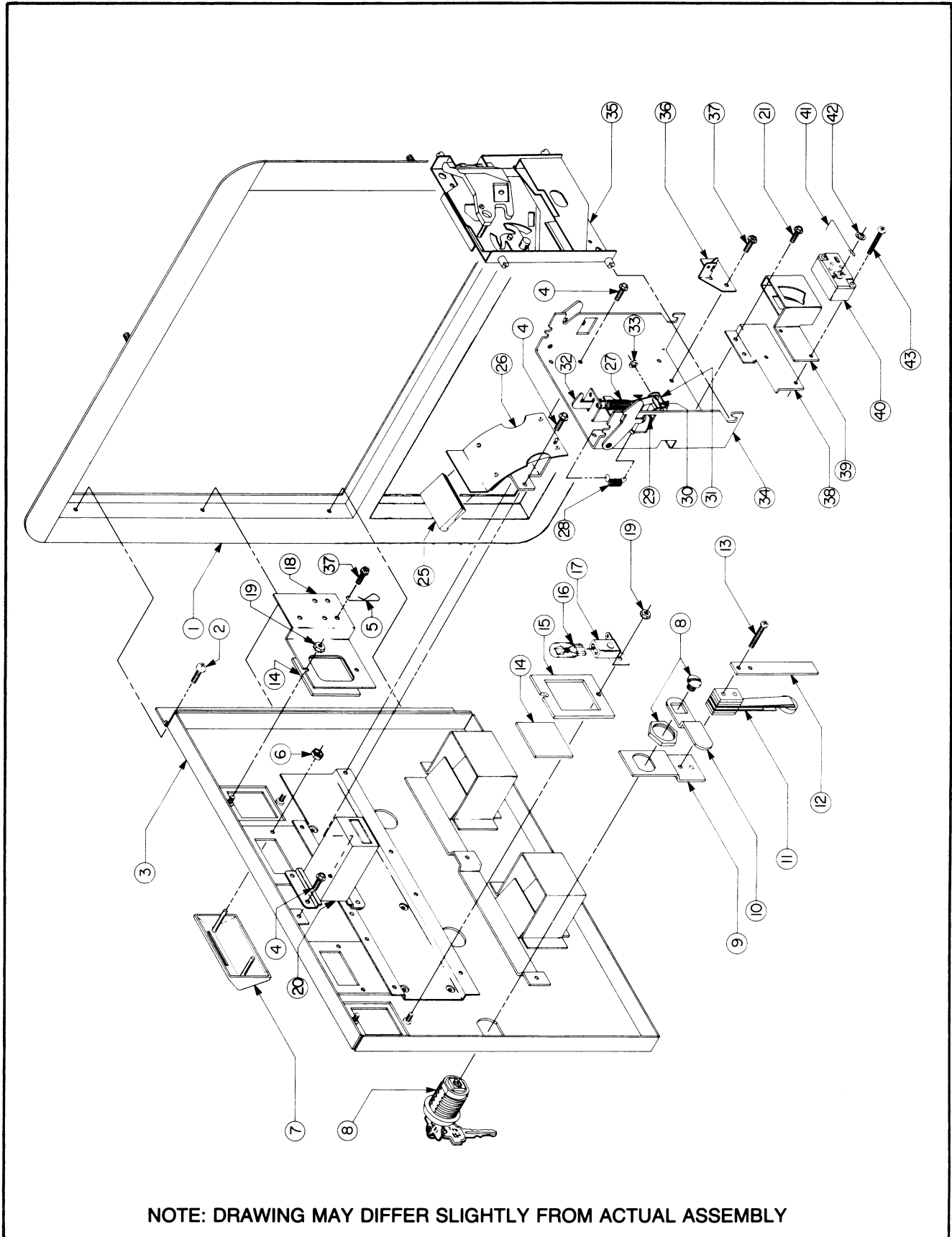


**POWER CHASSIS ASSY.—125VA., 115V.—PARTS LIST**

ORDER BY PART NUMBER ONLY

ITEM	PART NO.	DESCRIPTION
1	A945-00046-00XF	CHASSIS & PARTITION ASSY.
2	A945-00029-0100	MTG. PLATE & BARRIER ASSY.
3	0945-00107-01XF	STRAP (2 REQ'D.)
4	0017-00101-0123	#8 x 1/4 UNSLOT. HEX HD. SCR. (12 REQ'D.)
5	MT00-00101-A000	ISOLATION TRANSFORMER W/O SHIELD ASSY. — 115V., 50/60 HZ.
	0017-00103-0061	#8-32 HEX NUT W/SEMS (4 REQ'D.)
6	MT00-00099-A000	POWER TRANSFORMER ASSY. — 115V., 60 HZ.
	0017-00103-0084	#6-32 HEX NUT W/SEMS (4 REQ'D.)
7	0175-181T4-GXJK	CAPACITOR — 3.5 M.F., 440V.
8	0017-00009-0535	CLAMP
	0017-00101-0565	#6-32 x 7/16 SLT. PAN HD. SCR.
	0017-00103-0084	#6-32 HEX NUT W/SEMS
9	0017-00101-0067	#6 x 3/8 PHIL. PAN HD. SCR. (11 REQ'D.)
10	0945-00902-0000	SNAP BUSHING (3 REQ'D.)
11	0017-00021-0297	2 POSITION CONNECTOR
12	A945-00030-0100	CONNECTOR & CABLE ASSY. #1
13	A945-00030-0200	CONNECTOR & CABLE ASSY. #2
14	A945-00021-0000	CONVENIENCE OUTLET ASSY.
15	0017-00101-0573	#6-32 x 1/2 PHIL. RND. HD. SCR. (2 REQ'D.)
	0017-00103-0084	#6-32 HEX NUT W/SEMS (2 REQ'D.)
	A945-00025-0000	FILTER ASSEMBLY — 125V. — UNDER CHASSIS (NOT SEEN)
16	0017-00021-0510	TERMINAL STRIP
17	0017-00101-0140	#4-40 x 5/16 PHIL. PAN HD. SCR. (2 REQ'D.)
18	0017-00003-0263	SLO-BLO FUSE — 4A., 250V.
19	0017-00003-0005	FUSE — 2A., 250V.
	0017-00003-0444	QUICK CONN. FUSEHOLDER (2 REQ'D.) — FOR ABOVE FUSES
20	0945-00816-1902	CAPACITOR — 100,000 M.F.
21	0945-00816-1901	CAPACITOR — 55,000 M.F.
	0017-00104-0107	#10 FLAT WASHER (4 REQ'D.)
	0017-00103-0081	#10-32 HEX NUT W/SEMS (4 REQ'D.)
22	0017-00009-0422	CLAMP (2 REQ'D.)
	0017-00101-0758	#8-32 x 3/4 PHIL. RND. HD. SCREW (2 REQ'D.)
	0017-00103-0061	#8-32 HEX NUT W/SEMS (2 REQ'D.)
23	0017-00101-0067	#6 x 3/8 PHIL. PAN HD. SCR. (6 REQ'D.)
24	0945-00904-0000	5 POSITION FUSE HOLDER
	0017-00003-0263	SLO-BLO FUSE — 4A., 250V.
	0017-00003-0217	SLO-BLO FUSE — 2.5A., 250V. (2 REQ'D.)
	0017-00003-0007	SLO-BLO FUSE — 3A., 250V. (2 REQ'D.)
	0945-00903-0000	FUSE HOLDER BARRIER
	A945-00022-0000	HEATSINK & DIODE ASSY.
	0017-00101-0067	#6 x 3/8 PHIL. PAN HD. SCR. (2 REQ'D.)
25	0017-00101-0780	#6 x 1/2 PHIL. PAN HD. SCREW (2 REQ'D.)
	0017-00021-0629	5 POSITION TERMINAL STRIP — (UNDER CHASSIS)
	A945-00019-0000	LINE CORD ASSY. — 115V. (NOT SHOWN)
26	A945-00030-0500	CONNECTOR & CABLE ASSY.
27	0017-00101-0660	#10-32 x 3/4 PAN HD. SCREW
	0017-00104-0107	#10 FLAT WASHER
	0017-00103-0081	#10-32 HEX NUT W/SEMS

FRONT DOOR ASSEMBLY - U.S.A. 50¢



## FRONT DOOR ASSEMBLY - U.S.A. 50¢ - PARTS LIST

ORDER BY PART NUMBER ONLY

ITEM	PART NO.	DESCRIPTION
1	A090-00603-00XF	DOUBLE ENTRY COIN DOOR FRAME
2	0017-00101-0121	#6-32x5/16 PHIL. TRS. HD. SCR. (3 REQ'D)
3	A090-00073-02BK	DOUBLE ENTRY COIN DOOR W/DRESS PLATE
4	0017-00101-0123	#8x1/4 UNSLOT HEX HD. SCREW (12 REQ'D)
5	0017-00007-0019	KEY HOOK
6	0017-00103-0059	PUSH NUT (4 REQ'D)
7	0090-00912-0000	COIN ENTRY PLATE - 25¢ (2 REQ'D)
8	A097-00005-0000	DOOR LOCK & KEY W/SCREW & NUT (OR)
	A097-00006-0000	DOOR LOCK & KEY W/SCREW & NUT
9	0090-00128-00XF	DOOR TILT SWITCH BRKT.
10	0017-00005-0041	DOOR CAM
11	A090-00095-0000	DOOR TILT SWITCH
12	0090-00126-03XF	SWITCH BACK-UP PLATE
13	0017-00101-0525	#5-40x9/16" PHIL. HD. M.S. (2 REQ'D)
	A090-00096-0000	DOOR TILT SWITCH & BRKT. ASSY. (ITEMS 9 & 11 THRU 13)
14	0090-00903-4800	PLEXI PLATE 2x25 CENT 1 PLAY (2 REQ'D)
15	0090-00143-00XF	COIN PLEX RETAINER
16	0017-00003-0219	12 VOLT LAMP - G.E. #194 (2 REQ'D)
17	0017-00031-0048	WEDGE SOCKET W/BRKT. (2 REQ'D)
18	A090-00100-0000	BRKT. ASSY.
19	0017-00103-0084	#6-32 HEX NUT W/SEMS (4 REQ'D)
20	A090-00089-0000	COIN METER W/DIODE
21	0017-00101-0124	#6x1/4 UNSLOT HEX HD. SCR. (4 REQ'D)
25	0090-00911-0000	INSULATOR (2 REQ'D)
26	A090-00112-0000	COIN CHUTE & INSULATOR ASSY. (2 REQ'D)
27	0010-00134-0000	SPRING
28	0010-00181-0000	SPRING
29	0017-00007-0083	1/8x1-5/8 ROLL PIN
30	0090-00129-00XF	PIVOT POST
31	0090-00167-00XF	PIVOT LEVER
32	0090-00182-00XF	REJECT LEVER
33	0017-00100-0018	E-RING
	A090-00088-0000	REJECT LEVER ASSY. (2 REQ'D) (ITEMS 30 THRU 33)
34	A090-00117-0000	COIN ACCEPTOR FRAME ASSY. (2 REQ'D)
35	0017-00005-0003	COIN ACCEPTOR W/STRING CUTTER (2 REQ'D) (OR)
	0017-00005-0211	COIN ACCEPTOR W/ANTI STRING DEVICE (2 REQ'D) (OR)
	0017-00005-0214	COIN ACCEPTOR W/STRING CUTTER (2 REQ'D)
36	A090-00064-0000	ANTI-PENNY DEVICE
37	0017-00101-0099	#6x1/4 SLT. HEX HD. M.S. (2 REQ'D)
38	0090-00162-00XF	COIN SWITCH MTG. BRKT.
39	0017-00005-0203	COIN SWITCH CHUTE
40	0017-00005-0195	COIN SWITCH
41	0010-00599-0000	COIN SWITCH WIRE
42	0017-00007-0015	PUSH-ON RING
	A090-00059-0400	COIN SWITCH & WIRE ASSY. (ITEMS 40 THRU 42)
43	0017-00101-0147	#4-40x3/4 PHIL. PAN HD. M.S. (2 REQ'D)
	A090-00077-0000	COIN GUIDE & SWITCH ASSY. (ITEMS 38 THRU 43)