

TAITO®



© TAITO CORP. 1993

# 取扱説明書

TAITO CORPORATION®

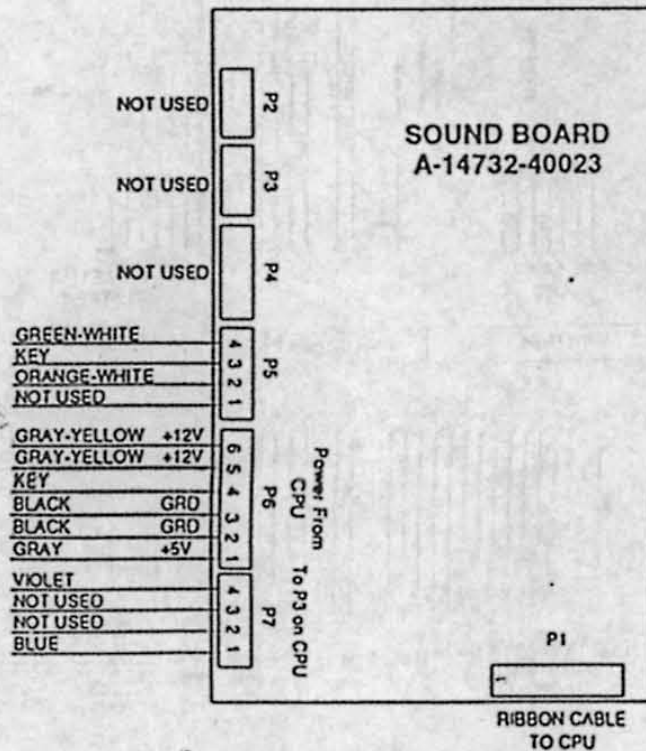
Ver. 1

G2001490A

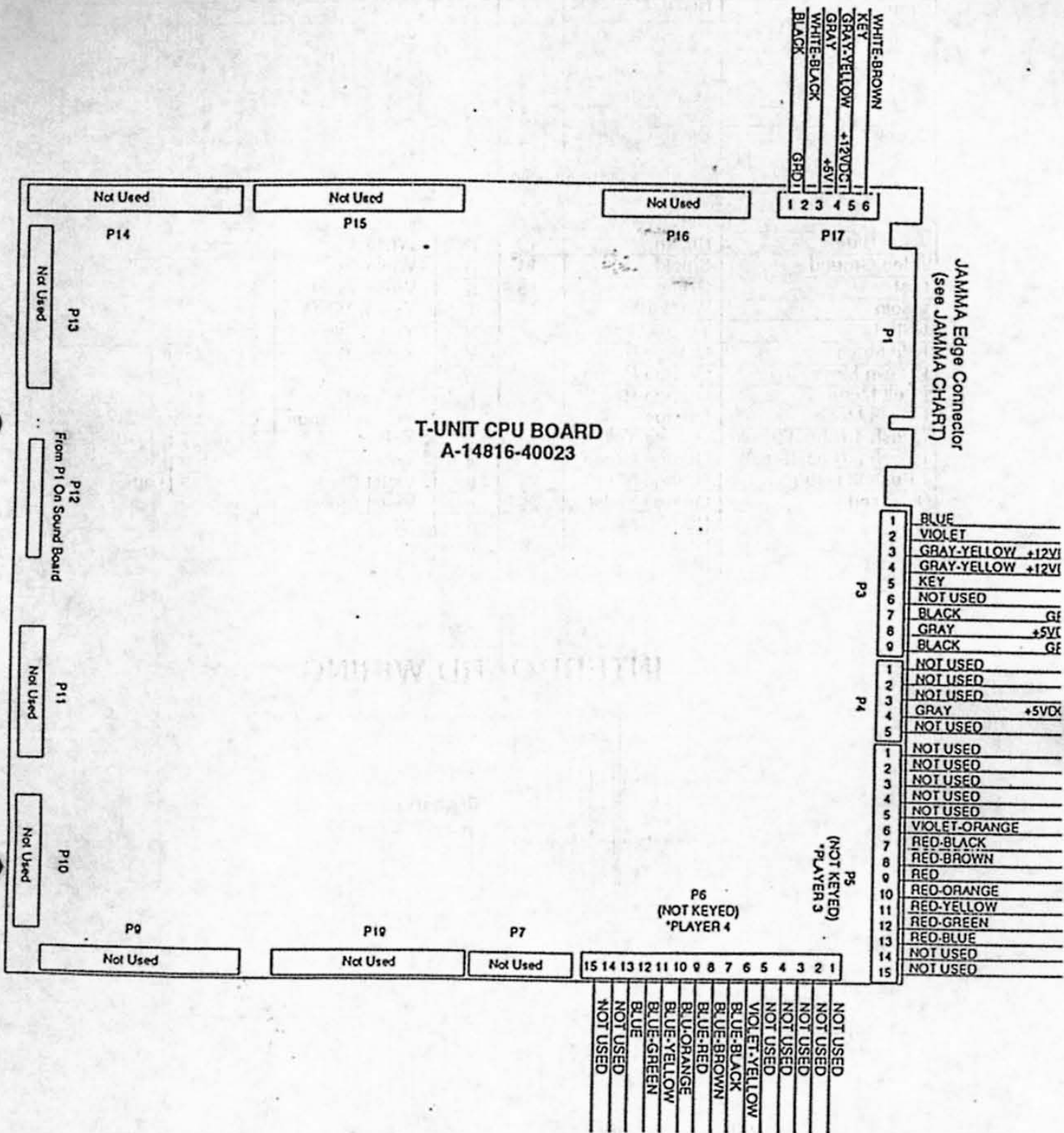
# JAMMA CHART

Function	Wire Color	Pin	Pin	Wire Color	Function
Ground	Black	1	A	Black	Ground
Ground	Black	2	B	Black	Ground
+5 Volts DC	Gray	3	C	Gray	+5 Volts DC
+5 Volts DC	Gray	4	D	Gray	+5 Volts DC
-5 Volts DC	Gray-Green	5	E	Gray-Green	-5 Volts DC
+12 Volts DC	Gray-Yellow	6	F	Gray-Yellow	+12 Volts DC
	Key	7	H	Key	
Counter 1	White-Orange	8	J	White-Green	Counter 2
	NC	9	K	NC	
Speaker (+)	Red-Violet	10	L	Green-Violet	Speaker (-)
	NC	11	M	NC	
Video Red	Red	12	N	Green	Video Green
Video Blue	Brown	13	P	White	Video Sync
Video Ground	Shield	14	R	White-Red	Service Credit
Test	Green	15	S	White-Violet	Slam Tilt
1 Coin	White-Blue	16	T	Yellow-White	2 Coin
1 Start	Yellow-Green	17	U	Yellow-Blue	2 Start
1 Up Move	Orange-Black	18	V	Yellow-Black	2 Up Move
1 Down Move	Orange-Brown	19	W	Yellow-Brown	2 Down Move
1 Left Move	Orange-Red	20	X	Yellow-Red	2 Left Move
1 Right Move	Orange	21	Y	Yellow-Orange	2 Right Move
1 Push 1 (Shoot/Block)	Orange-Yellow	22	Z	Yellow-Violet	2 Push 1 (Shoot/Block)
1 Push 2 (Pass/Steal)	Orange-Green	23	a	Yellow-Gray	2 Push 2 (Pass/Steal)
1 Push 3 (Turbo)	Orange-Blue	24	b	Violet-Black	2 Push 3 (Turbo)
Not Used	Orange-Violet	25	c	Violet-Brown	Not Used
	NC	26	d	NC	
	NC	27	e	NC	
Ground	Black	28	f	Black	Ground

## INTERBOARD WIRING

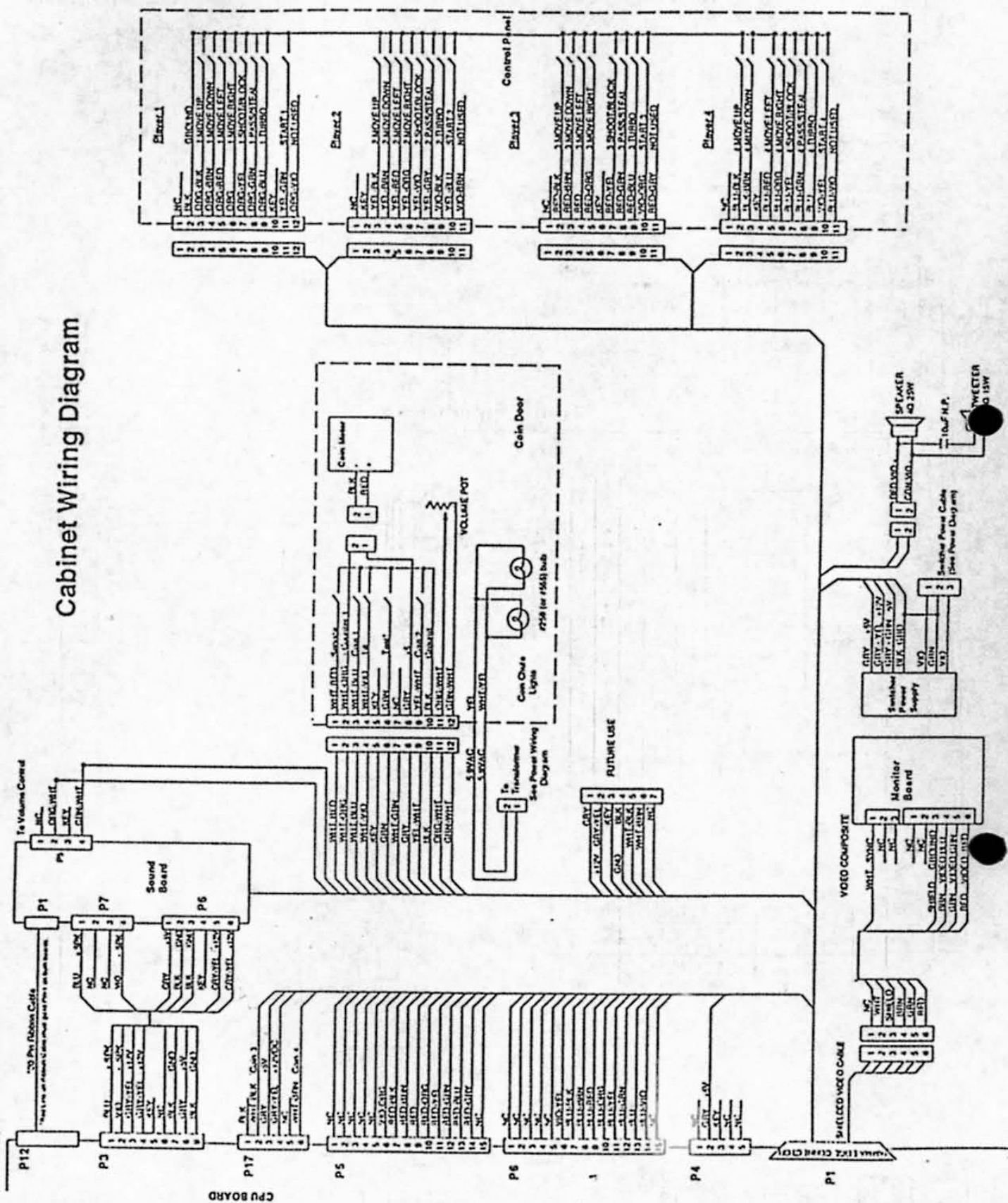


# INTERBOARD WIRING

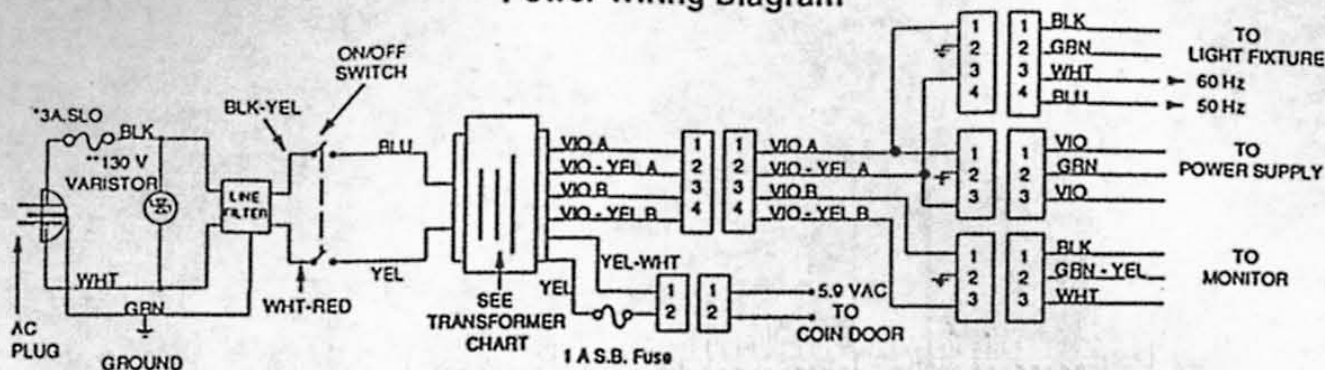


\*Cable Connectors are marked Player 3 and Player 4 for installation purposes.

# Cabinet Wiring Diagram



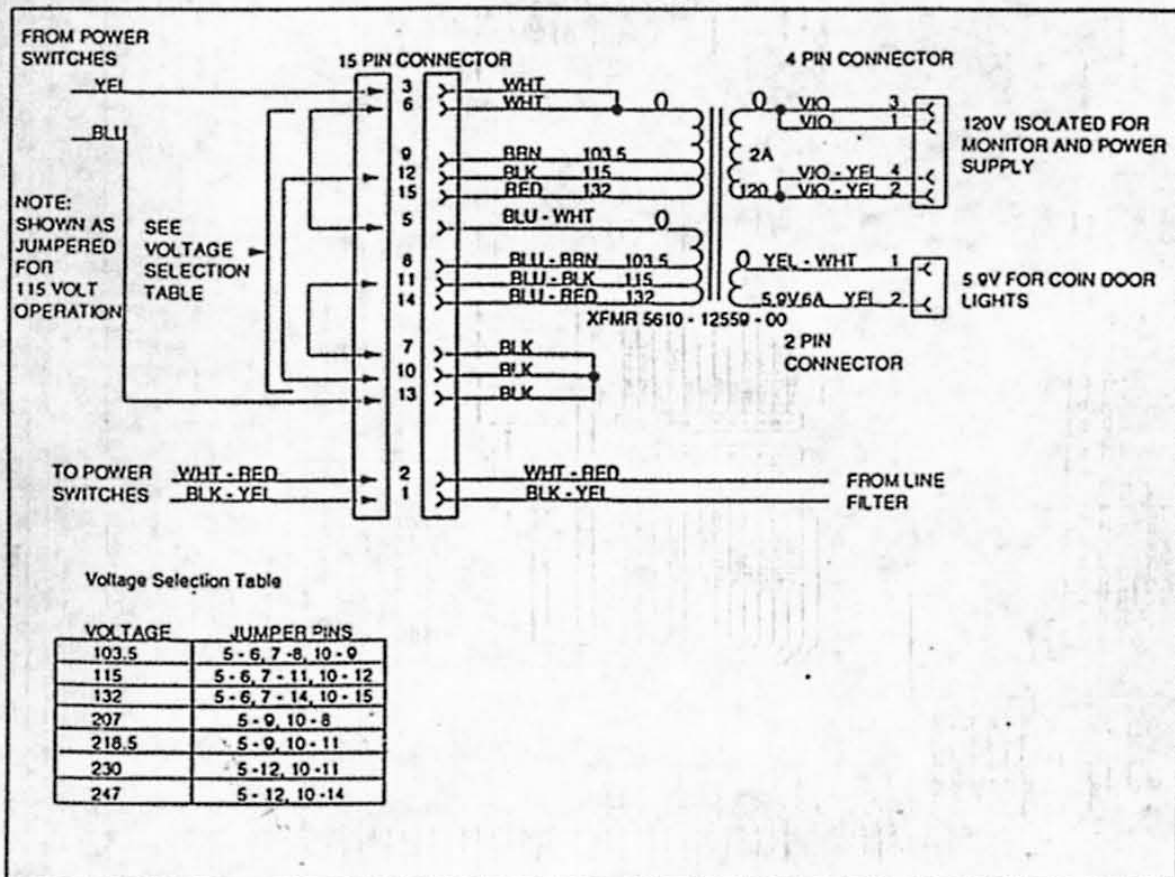
## Power Wiring Diagram

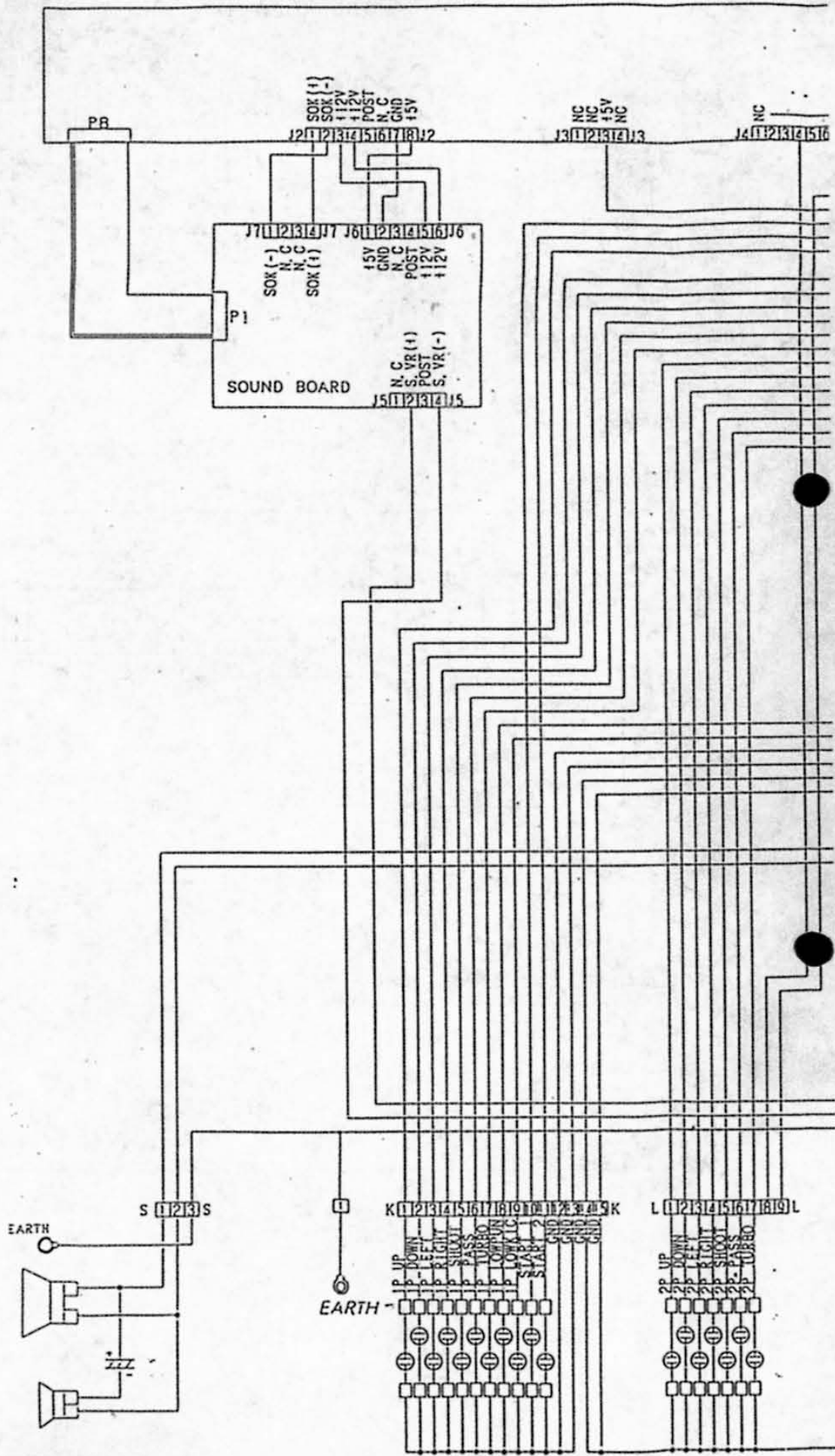


\*For 250V operation, use 2 Amp fuse.  
\*\*For 250V operation, use 250V varistor.

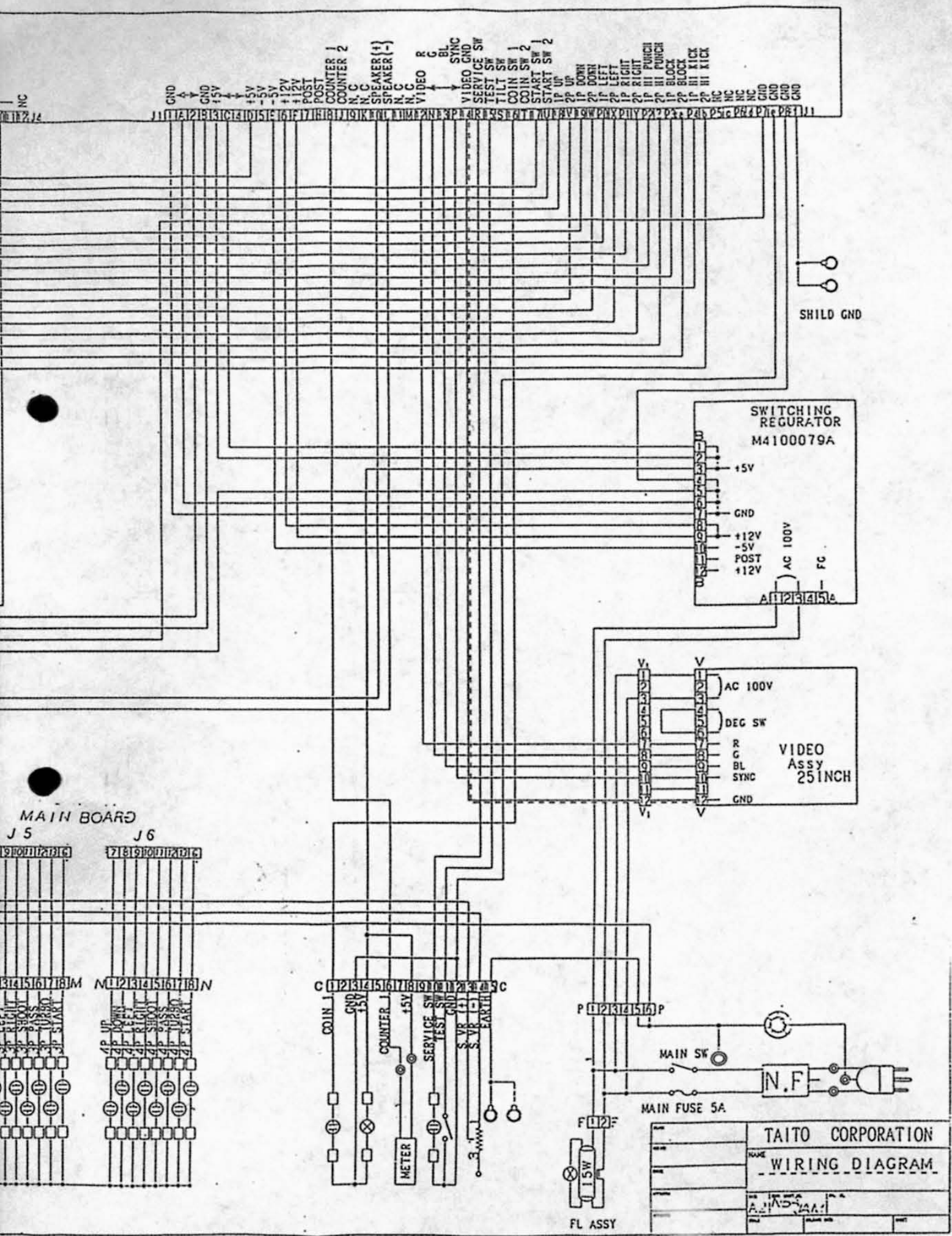
Note  
For 60HZ Operation, insert Vio-Yel wire into Pin 3.  
For 50HZ Operation, insert Vio-Yel wire into Pin 4.

## Transformer Chart





REVISIONS			
LTR	DESCRIPTION	DATE	BY



TAITO CORPORATION	
WIRING DIAGRAM	
DATE	
BY	