

Supplement to

The Adventures of
MAJOR HAVOC™

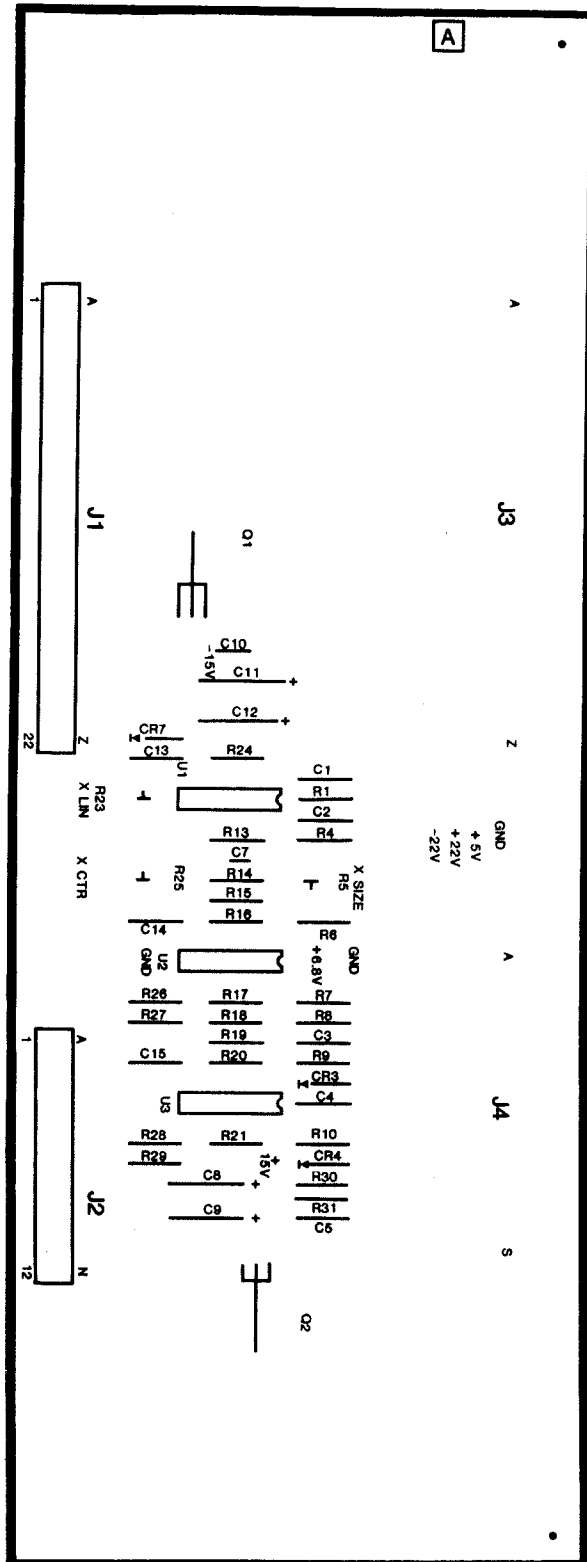
TM-267, 1st printing

Installation Instructions

This Supplement provides the assembly drawing, parts list, and schematic diagram for the Major Havoc Conversion printed-circuit board.



 A Warner Communications Company



NOTICE TO ALL PERSONS RECEIVING THIS DRAWING
CONFIDENTIAL - Reproduction forbidden without the specific written permission of Alari, Inc., Sunnyvale, CA. This drawing is only conditionally issued, and neither receipt nor possession thereof confers or transfers any right in, or license to use, the subject matter of the drawing or any design or technical information shown thereon, nor any right to reproduce this drawing or any part thereof. Except for manufacture by vendors of Alari, Inc., and for manufacture under the corporation's written license, no right is granted to reproduce this drawing or the subject matter thereof, unless by written agreement with or written permission from the corporation.

Figure 1 Conversion PCB Assembly
A042392-21 A

Conversion PCB Assembly Parts List

Designator	Description	Part No.
Capacitors		
C1	0.01 μ F, 50 V, Ceramic-Disc Capacitor	122005-103
C2-C5	0.1 μ F, 25 V, Ceramic-Disc Capacitor	122006-104
C7	39 pF, 100 V, Mica Capacitor	128002-390
C8	1 μ F, 50 V, Aluminum Electrolytic Capacitor	24-500105
C9	2.2 μ F, 35 V, Tantalum Capacitor	122000-225
C10	0.1 μ F, 25 V, Ceramic-Disc Capacitor	122006-104
C11	2.2 μ F, 35 V, Tantalum Capacitor	122000-225
C12	1 μ F, 50 V, Aluminum Electrolytic Capacitor	24-500105
C13-C15	0.1 μ F, 25 V, Ceramic-Disc Capacitor	122006-104
Diodes		
CR3	Type-1N754A Diode	131002-001
CR4	Type-1N100 Diode	31-1N100
CR7	Type-1N100 Diode	31-1N100
Integrated Circuits		
Q1	Type-7915 Regulator Integrated Circuit	37-7915
Q2	Type-7815 Regulator Integrated Circuit	37-7815
U1	Type-TL084 Operational Amplifier Integrated Circuit	37-347
U2, U3	Type-MC1495LS Integrated Circuit	37-1495
Resistors		
R1	100 Ω , \pm 5%, $\frac{1}{4}$ W Resistor	110000-101
R4	2.2 k Ω , \pm 5%, $\frac{1}{4}$ W Resistor	110000-222
R5	10 k Ω Potentiometer	119002-103
R6	2.2 k Ω , \pm 5%, $\frac{1}{4}$ W Resistor	110000-222
R7	5.6 k Ω , \pm 5%, $\frac{1}{4}$ W Resistor	110000-562
R8	680 Ω , \pm 5%, $\frac{1}{4}$ W Resistor	110000-681
R9	470 Ω , \pm 5%, $\frac{1}{4}$ W Resistor	110000-471
R10	3.9 k Ω , \pm 5%, $\frac{1}{4}$ W Resistor	110000-392
R13	10 k Ω , \pm 5%, $\frac{1}{4}$ W Resistor	110000-103
R14	5.6 k Ω , \pm 5%, $\frac{1}{4}$ W Resistor	110000-562
R15	3.9 k Ω , \pm 5%, $\frac{1}{4}$ W Resistor	110000-392
R16	2.2 k Ω , \pm 5%, $\frac{1}{4}$ W Resistor	110000-222
R17, R18	2.7 k Ω , \pm 5%, $\frac{1}{4}$ W Resistor	110000-272
R19	1 k Ω , \pm 5%, $\frac{1}{4}$ W Resistor	110000-102
R20	1.5 k Ω , \pm 5%, $\frac{1}{4}$ W Resistor	110000-152
R21	2.2 k Ω , \pm 5%, $\frac{1}{4}$ W Resistor	110000-222
R23	2 k Ω Potentiometer	119002-202
R24	VDR Resistor	110004-001
R25	10 k Ω Potentiometer	119002-103
R26-R29	470 Ω , \pm 5%, $\frac{1}{4}$ W Resistor	110000-471
R30, R31	150 Ω , \pm 5%, $\frac{1}{4}$ W Resistor	110000-151
Miscellaneous		
	44-Pin Connector	179073-044
	24-Pin Connector	179073-024
	Nylon Snap-In Fastener	81-4302

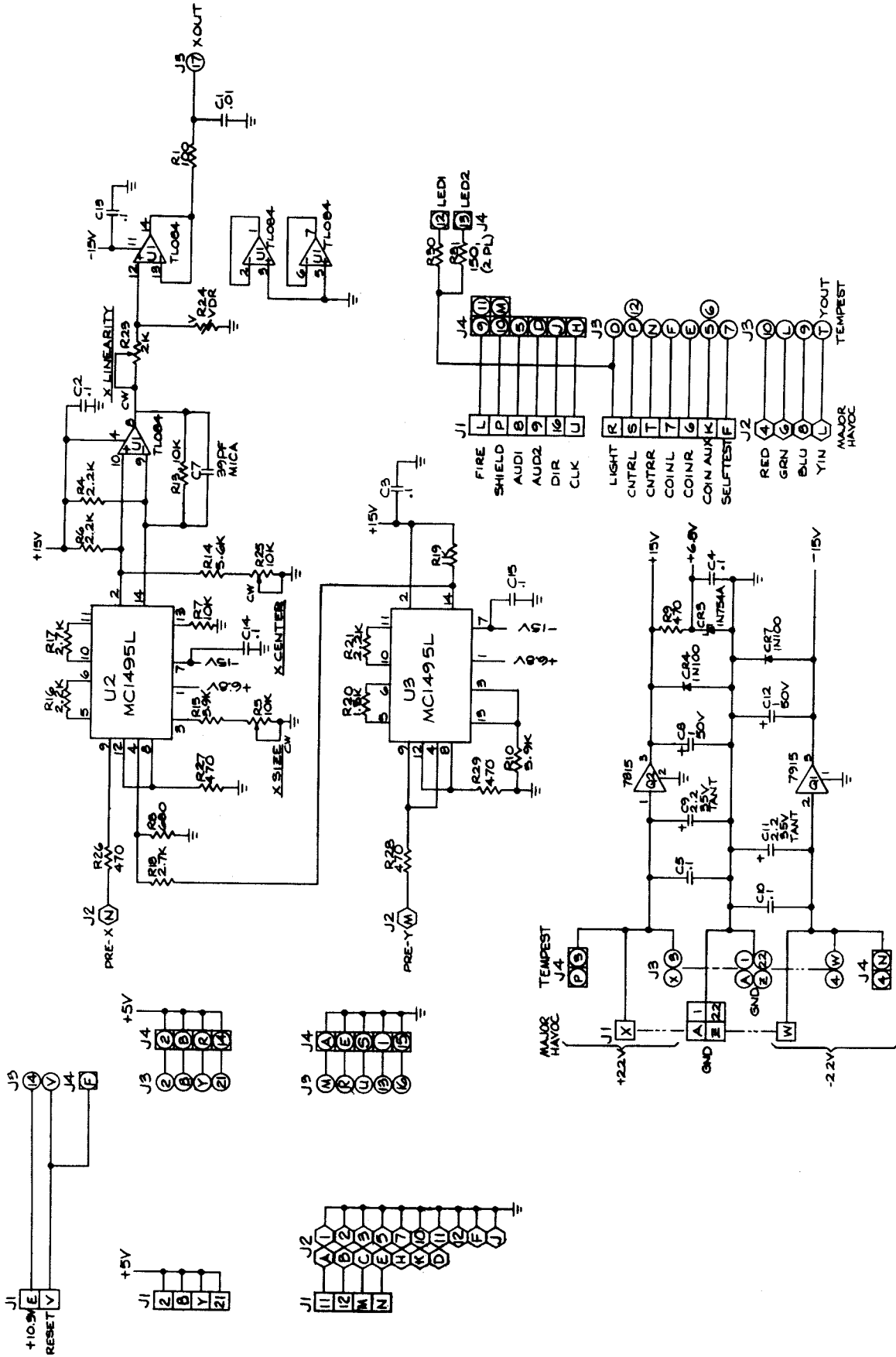


Figure 2 Conversion PCB
Schematic Diagram
A042393-01 A