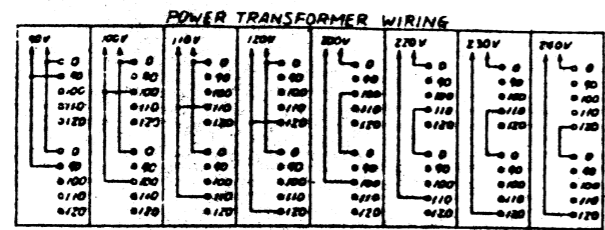
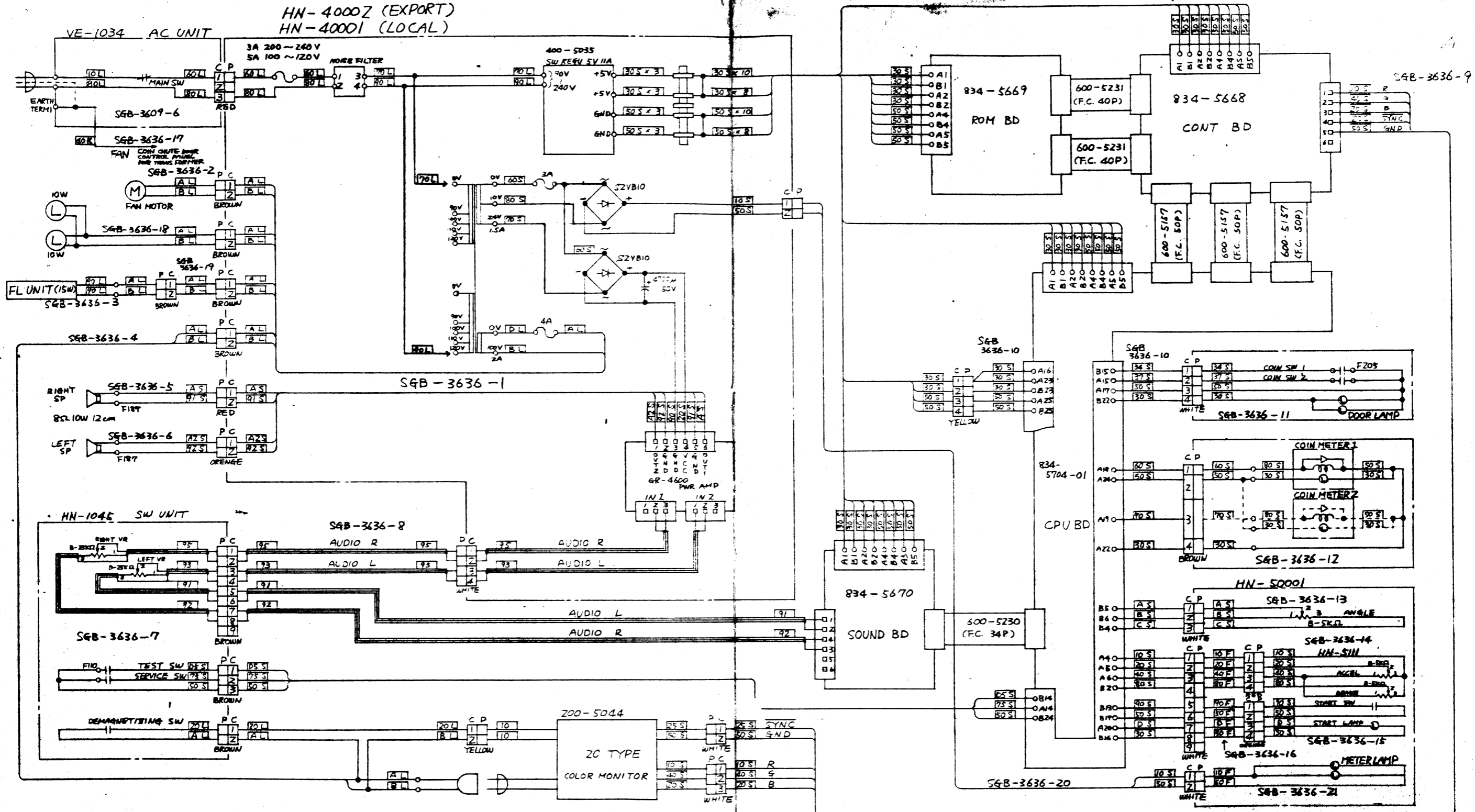


HN-4000Z (EXPORT)
HN-4000I (LOCAL)



95-2368

NO.	DESCRIPTION	DATE	BY
205	ALTERATION		
	1. WHITE BLUE		
	2. WHITE RED		
	3. WHITE BLUE		
	4. WHITE BLUE		
	5. WHITE BLUE		
	6. WHITE BLUE		
	7. WHITE BLUE		
	8. WHITE BLUE		
	9. WHITE BLUE		
	10. WHITE BLUE		
	11. WHITE BLUE		
	12. WHITE BLUE		
	13. WHITE BLUE		
	14. WHITE BLUE		
	15. WHITE BLUE		
	16. WHITE BLUE		
	17. WHITE BLUE		
	18. WHITE BLUE		
	19. WHITE BLUE		
	20. WHITE BLUE		
	21. WHITE BLUE		
	22. WHITE BLUE		
	23. WHITE BLUE		
	24. WHITE BLUE		
	25. WHITE BLUE		
	26. WHITE BLUE		
	27. WHITE BLUE		
	28. WHITE BLUE		
	29. WHITE BLUE		
	30. WHITE BLUE		
	31. WHITE BLUE		
	32. WHITE BLUE		
	33. WHITE BLUE		
	34. WHITE BLUE		
	35. WHITE BLUE		
	36. WHITE BLUE		
	37. WHITE BLUE		
	38. WHITE BLUE		
	39. WHITE BLUE		
	40. WHITE BLUE		
	41. WHITE BLUE		
	42. WHITE BLUE		
	43. WHITE BLUE		
	44. WHITE BLUE		
	45. WHITE BLUE		
	46. WHITE BLUE		
	47. WHITE BLUE		
	48. WHITE BLUE		
	49. WHITE BLUE		
	50. WHITE BLUE		
	51. WHITE BLUE		
	52. WHITE BLUE		
	53. WHITE BLUE		
	54. WHITE BLUE		
	55. WHITE BLUE		
	56. WHITE BLUE		
	57. WHITE BLUE		
	58. WHITE BLUE		
	59. WHITE BLUE		
	60. WHITE BLUE		
	61. WHITE BLUE		
	62. WHITE BLUE		
	63. WHITE BLUE		
	64. WHITE BLUE		
	65. WHITE BLUE		
	66. WHITE BLUE		
	67. WHITE BLUE		
	68. WHITE BLUE		
	69. WHITE BLUE		
	70. WHITE BLUE		
	71. WHITE BLUE		
	72. WHITE BLUE		
	73. WHITE BLUE		
	74. WHITE BLUE		
	75. WHITE BLUE		
	76. WHITE BLUE		
	77. WHITE BLUE		
	78. WHITE BLUE		
	79. WHITE BLUE		
	80. WHITE BLUE		
	81. WHITE BLUE		
	82. WHITE BLUE		
	83. WHITE BLUE		
	84. WHITE BLUE		
	85. WHITE BLUE		
	86. WHITE BLUE		
	87. WHITE BLUE		
	88. WHITE BLUE		
	89. WHITE BLUE		
	90. WHITE BLUE		
	91. WHITE BLUE		
	92. WHITE BLUE		
	93. WHITE BLUE		
	94. WHITE BLUE		
	95. WHITE BLUE		
	96. WHITE BLUE		
	97. WHITE BLUE		
	98. WHITE BLUE		
	99. WHITE BLUE		
	100. WHITE BLUE		

COIL LOCATIONS RELAY LOCATIONS INFORMATION USED WHEN COLOR CODED

SEGA HANGON SITDOWN (AC 100-240V 50/60Hz)

DESCRIPTION SCHEMATIC DIAGRAM NO. 869-1