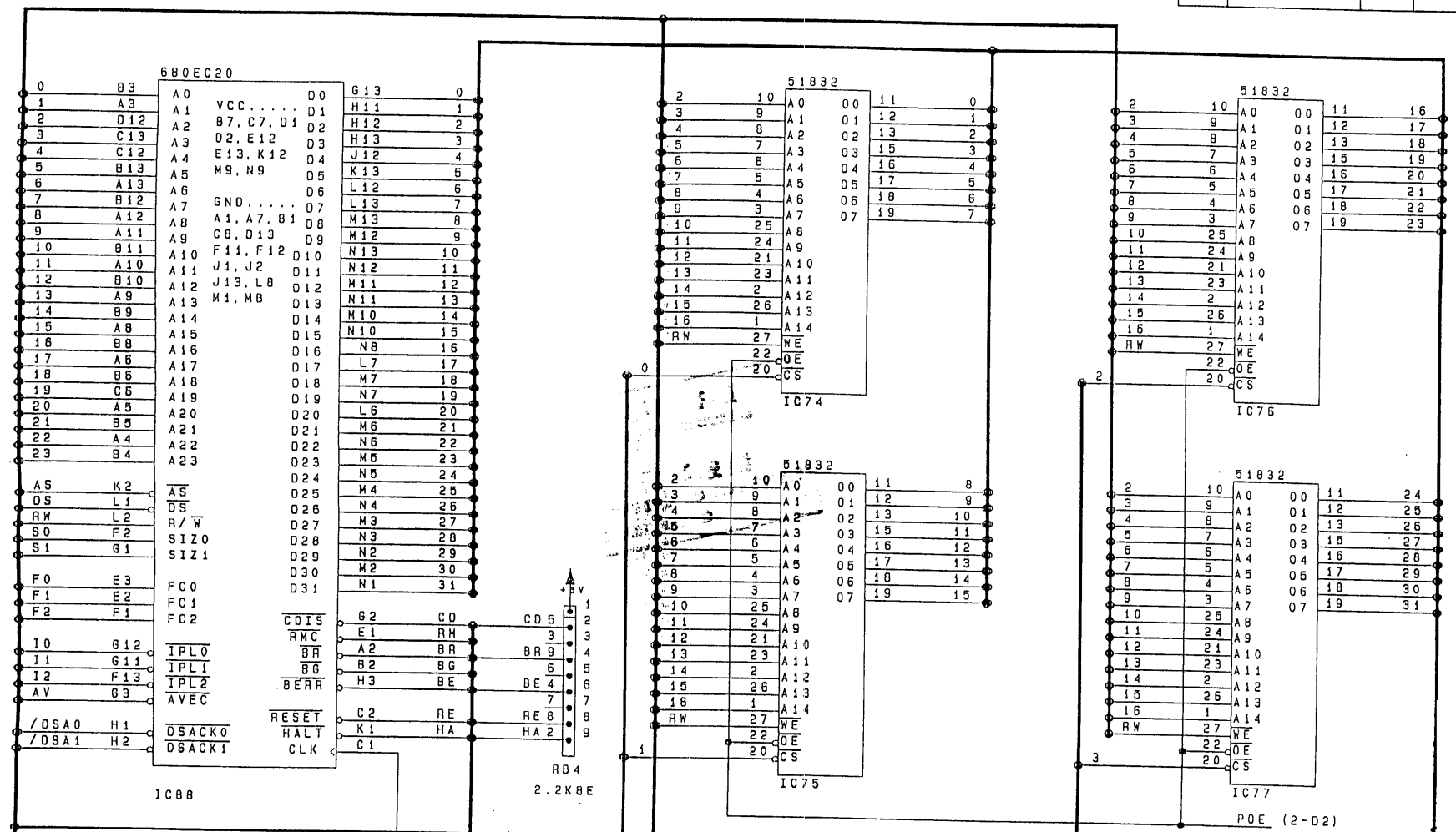


REVISIONS			
LTR	DESCRIPTION	DATE	APPRO

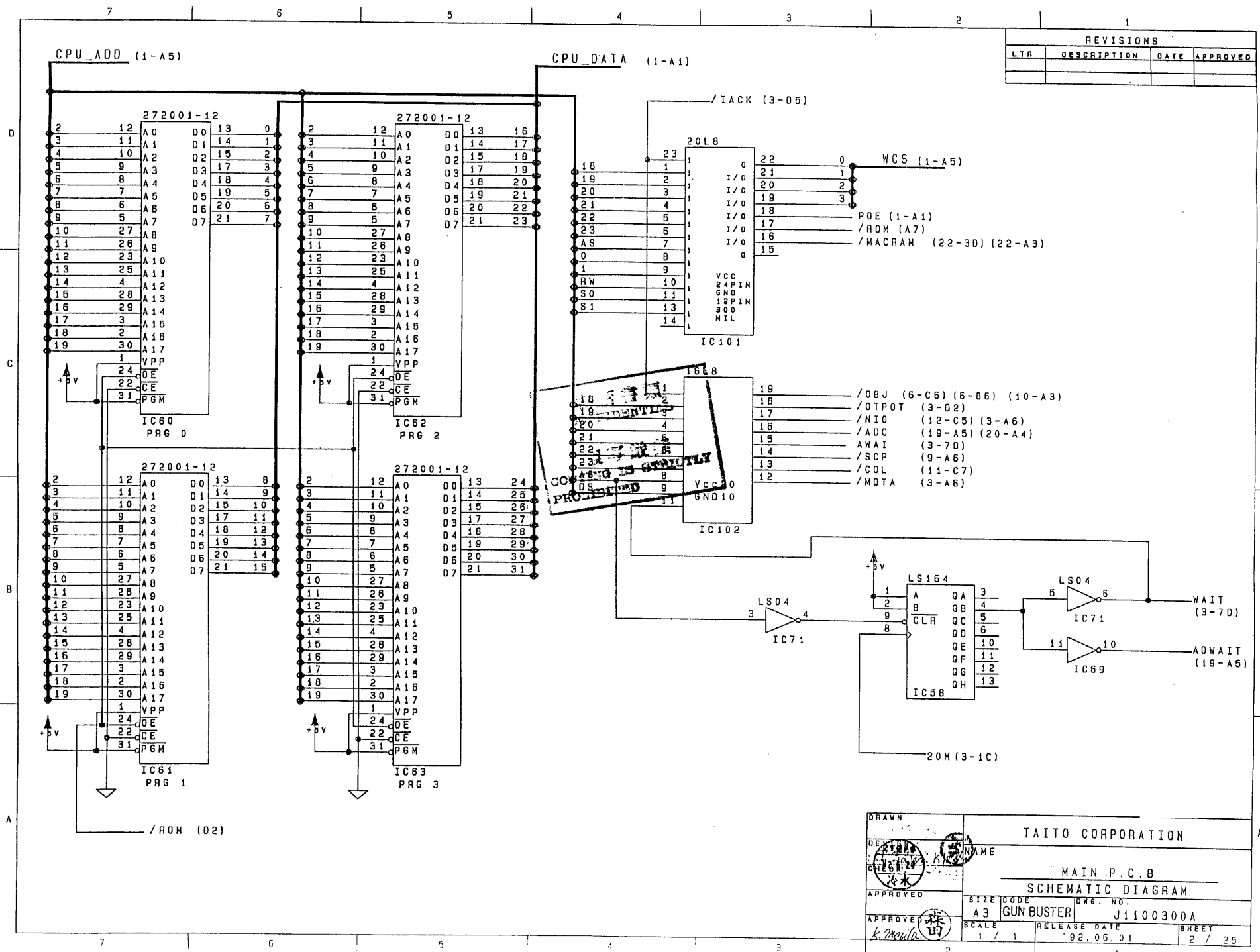


(2-02) WCS
 CPU_ADD
 (2-07) (3-D3)
 (6-07) (9-C7)
 (11-07) (12-C6)
 (22-C2) (20-07)
 (10-A3) (13-C3)
 (23-C3)

(23-C3, B5) CPU_DATA
 (21-A7) (22-C2)
 (2-04) (6-B1) (9-B7) (11-B7)
 (12-C6) (14-C2) (20-A7)

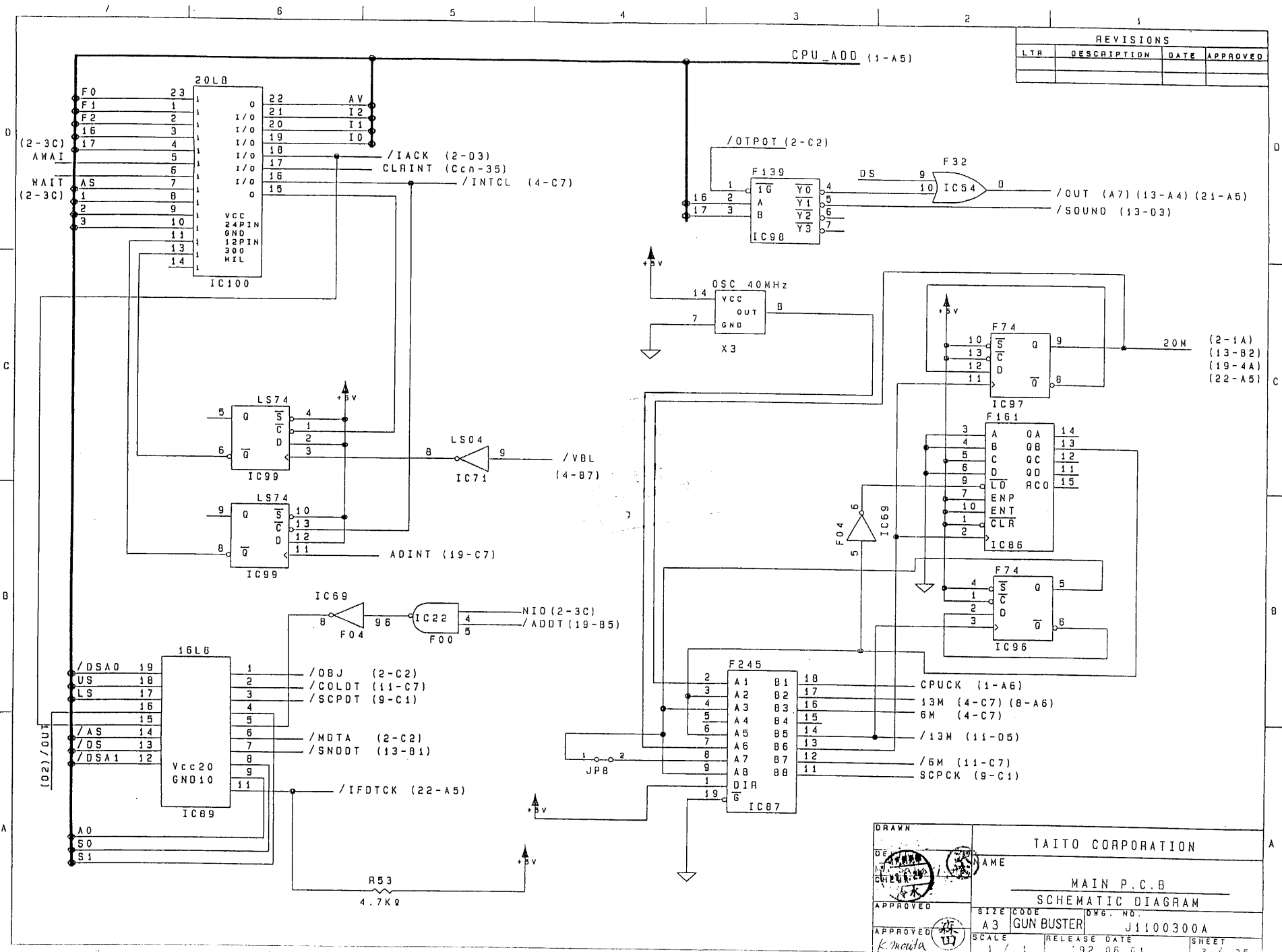
DRAWN		TAITO CORPORATION	
DESIGNED	NAME	MAIN PCB	
APPROVED	SCHEMATIC DIAGRAM		
APPROVED	SIZE CODE	DWG. NO.	
	A3	GUN BUSTER	J1100300A
SCALE	RELEASE DATE	SHEET	
1 / 1	92.06.01	1 / 25	

REVISIONS			
LTR	DESCRIPTION	DATE	APPROVED



DRAWN		TAITO CORPORATION	
DESIGNED	NAME	MAIN P.C.B	
APPROVED	SCALE	SCHEMATIC DIAGRAM	
APPROVED	SCALE	SIZE CODE	DWG. NO.
		A3	GUN BUSTER
			J1100300A
	RELEASE DATE		SHEET
	'92.06.01		2 / 25

REVISIONS			
LTR	DESCRIPTION	DATE	APPROVED



DRAWN		TAITO CORPORATION	
DESIGNED	NAME	MAIN P.C.B	
CHECKED	SCHEMATIC DIAGRAM		
APPROVED	SIZE CODE	DWG. NO.	
APPROVED	A3	GUN BUSTER	J1100300A
SCALE	RELEASE DATE	SHEET	
1 / 1	92.06.01	3 / 25	

REVISIONS			
LTR	DESCRIPTION	DATE	APPROVED

OBFD_BUS
(6-3A)

ST_BUS
(5-30)

OBJ_BUS
(7-7D)

OBA_BUS
(6-7D)

OA_BUS
(6-7B)

VPOSA_BUS
(5-60)

MIX_BUS (6-6A)

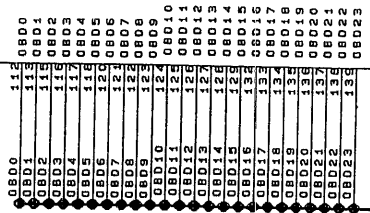
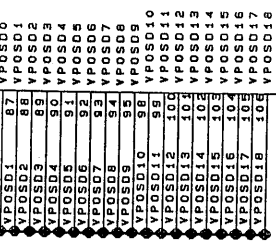
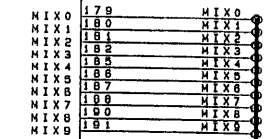
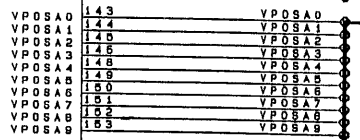
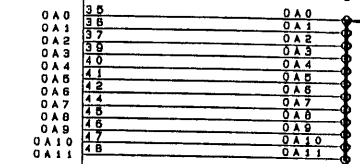
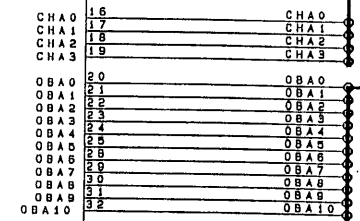
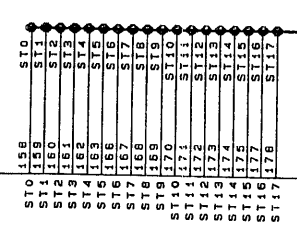
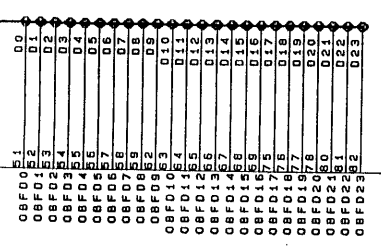
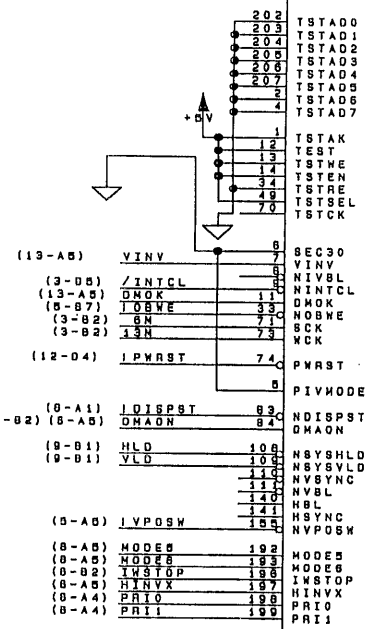
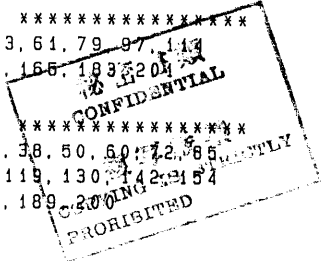
OBD_BUS (5-6A)

VPOSD_BUS
(5-4D)

TC0570SPC
208 PIN FLAT

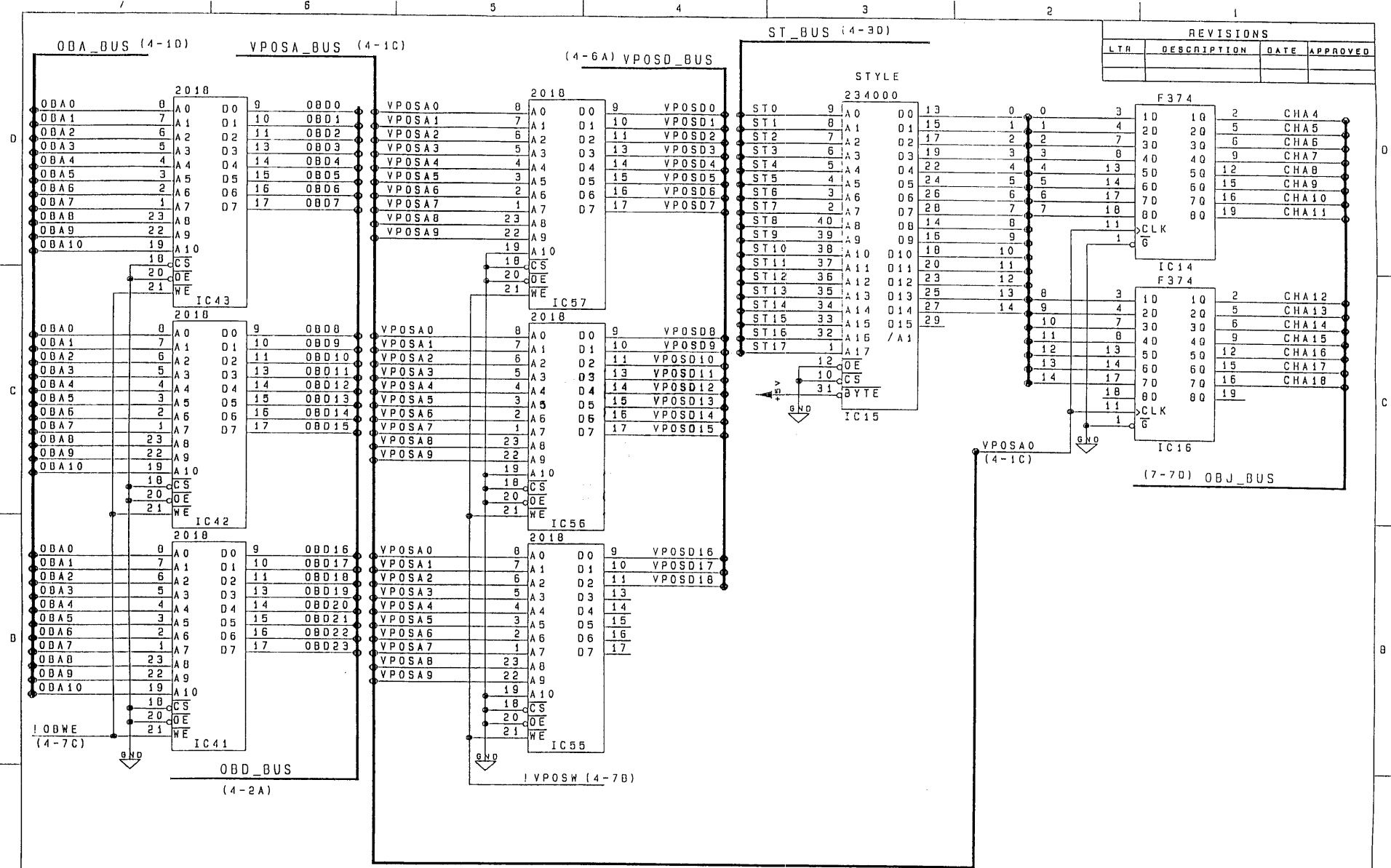
*** +5V *****
10, 27, 43, 61, 79, 97, 115, 133, 151, 169, 187, 205
*** GND *****
3, 15, 26, 38, 50, 62, 74, 86, 98, 110, 122, 134, 146, 158, 170, 182, 194, 206

IC40



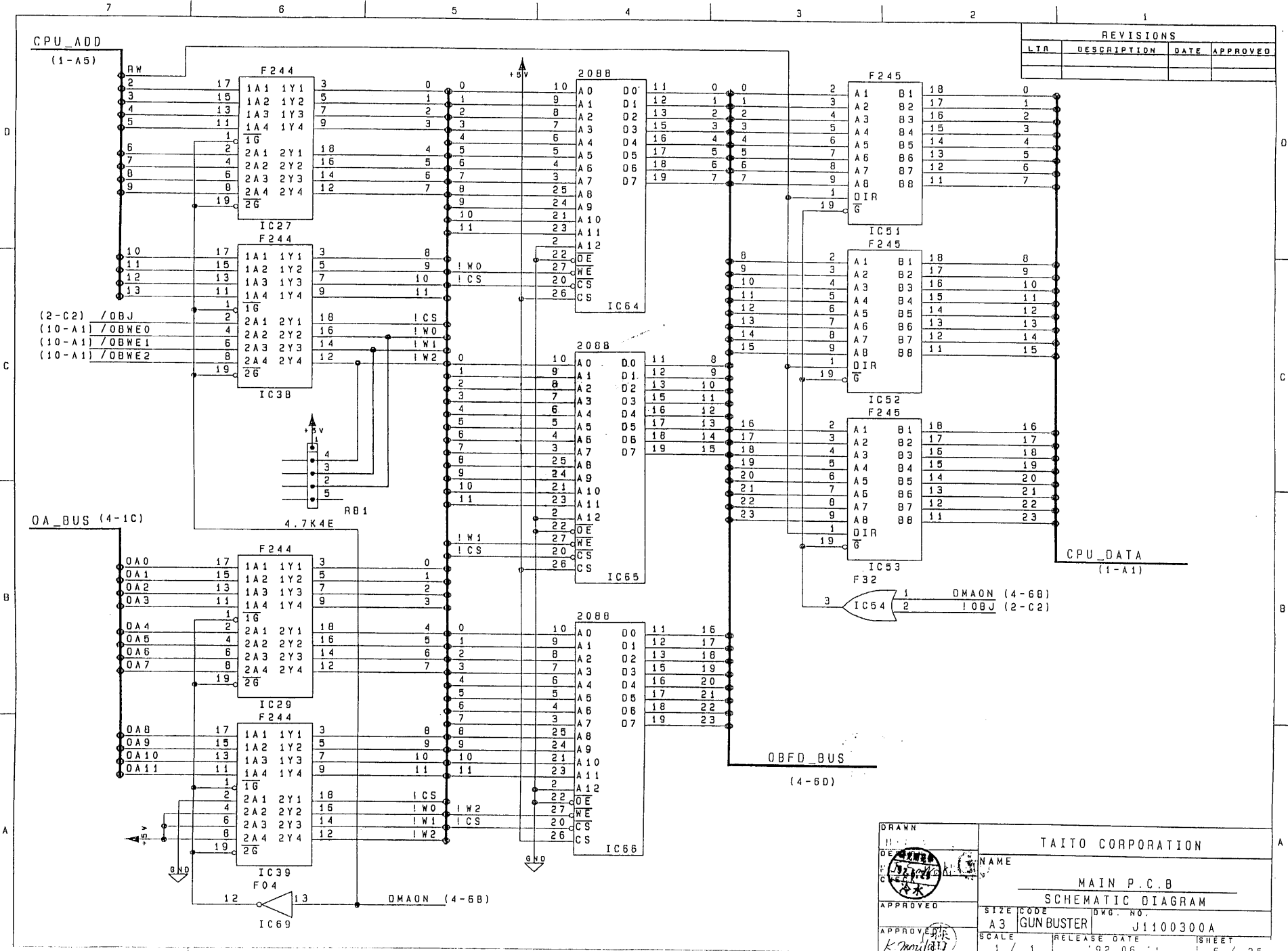
DRAWN		TAITO CORPORATION	
APPROVED		NAME	
APPROVED		MAIN P.C.B	
APPROVED		SCHEMATIC DIAGRAM	
APPROVED		SIZE CODE	DWG. NO.
APPROVED		A3 GUN BUSTER	J1100300A
APPROVED		SCALE	RELEASE DATE
APPROVED		1 / 1	'92.06.01
APPROVED		SHEET	
APPROVED		4 / 25	

REVISIONS			
LTR	DESCRIPTION	DATE	APPROVED



DRAWN	TAITO CORPORATION		
DESIGNED	NAME		
APPROVED	MAIN P.C.B		
APPROVED	SCHEMATIC DIAGRAM		
SIZE CODE	DWG. NO.		
A3	GUN BUSTER	J1100300A	
SCALE	RELEASE DATE	SHEET	
1	192.08.01	5 / 25	

REVISIONS			
LT#	DESCRIPTION	DATE	APPROVED



DRAWN		TAITO CORPORATION	
DESIGNED		NAME	
CHECKED		MAIN P.C.B.	
APPROVED		SCHEMATIC DIAGRAM	
APPROVED		SIZE CODE	DWG. NO.
K. Maki (1/17)		A3	GUN BUSTER J1100300A
SCALE		RELEASE DATE	SHEET
1 / 1		92.06.21	16 / 25

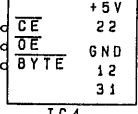
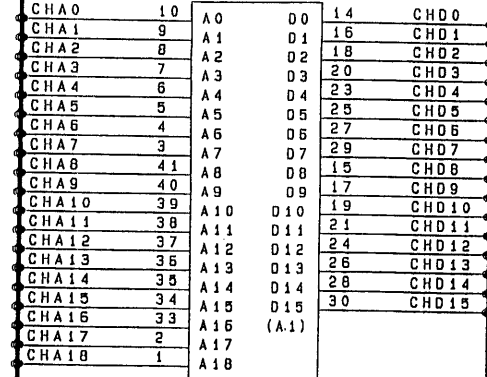
CHD_BUS (8-7D)

OBJ_BUS (4-10, 5-1C)

REVISIONS			
LTR	DESCRIPTION	DATE	APPROVED

OBJ0

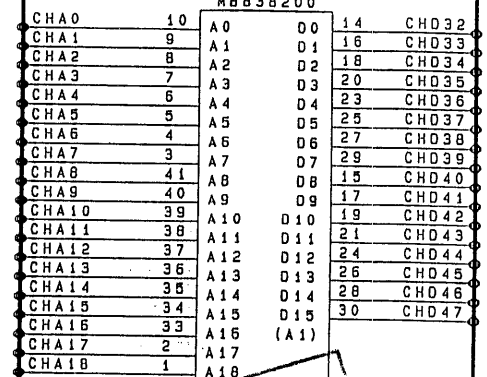
MB838200



IC4

OBJ2

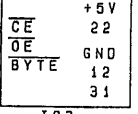
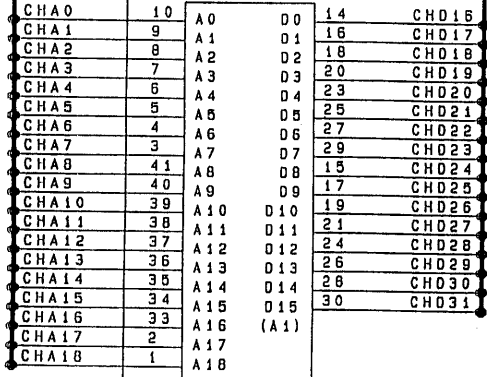
MB838200



複写禁止
COPYING IS STRICTLY PROHIBITED

OBJ1

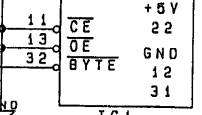
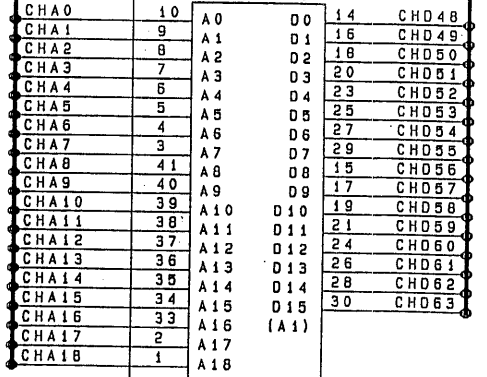
MB838200



IC3

OBJ3

MB838200

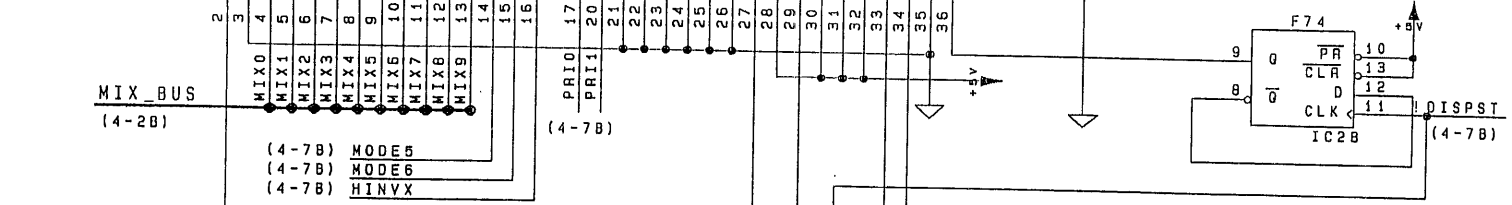
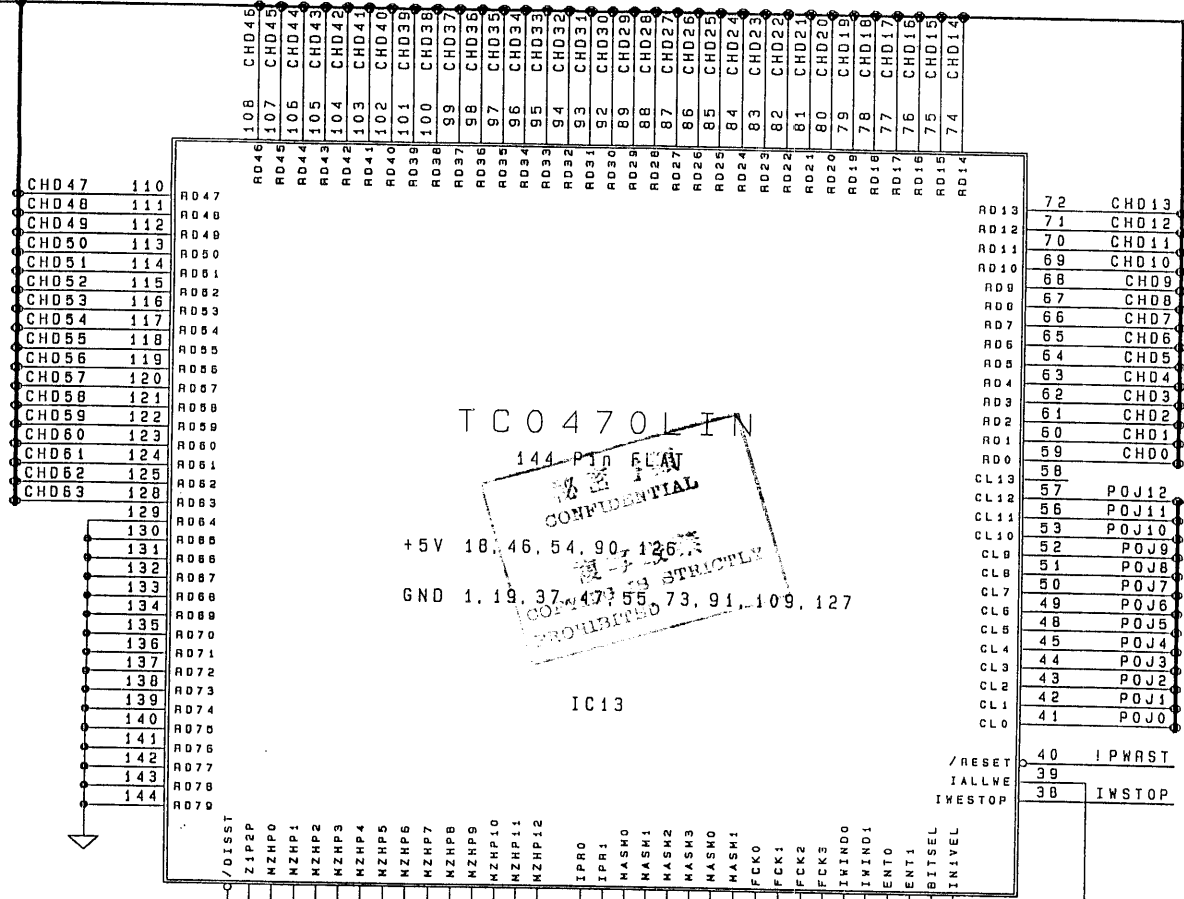


IC1

DRAWN DATE CHECKED	TAITO CORPORATION		
	NAME		
APPROVED	MAIN P.C.B		
	SCHEMATIC DIAGRAM		
APPROVED K. Mouri	SIZE CODE	DWG. NO.	
	A3	GUN BUSTER	J1100300A
SCALE	RELEASE DATE	SHEET	
1/1	'92.06.01	7 / 25	

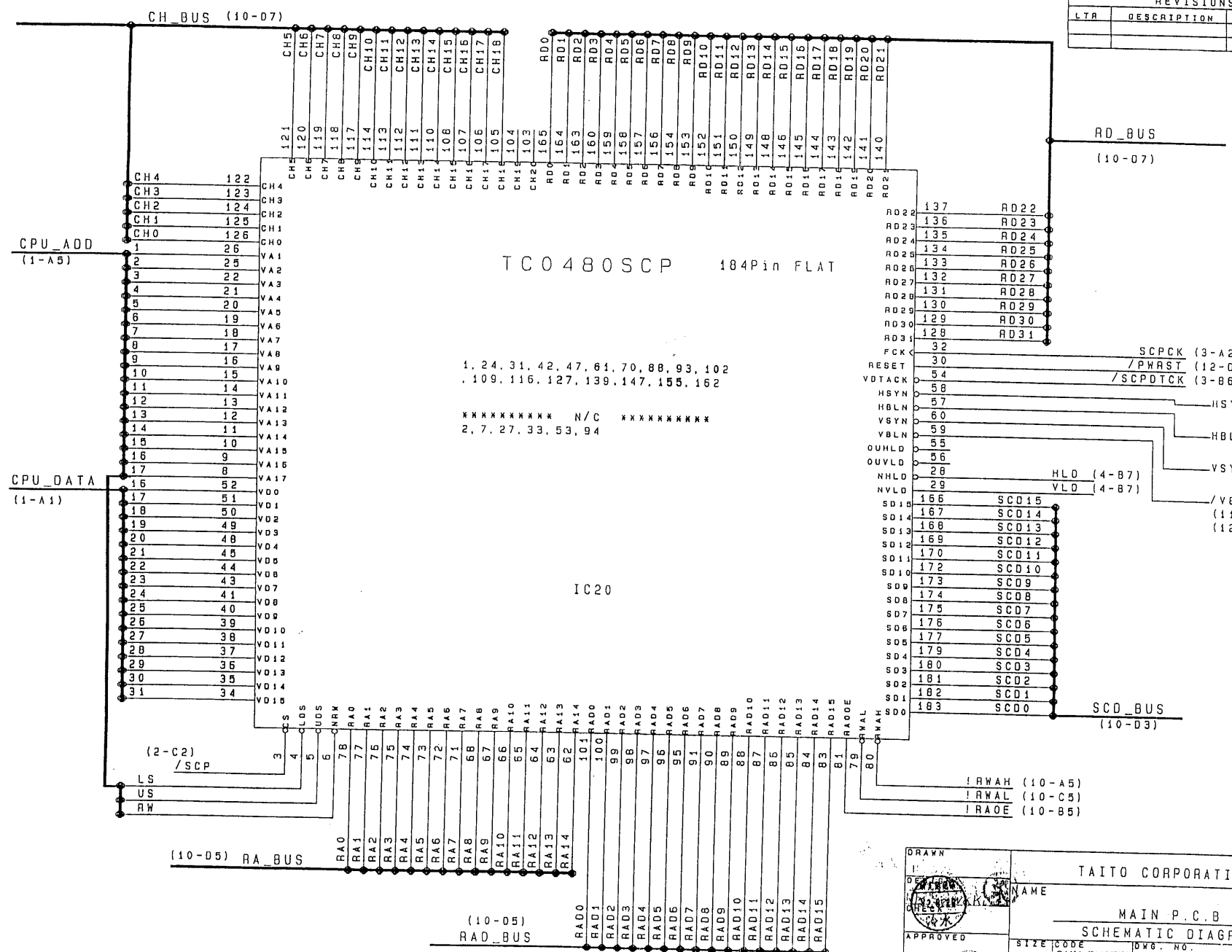
(7-70)
CHD_BUS

REVISIONS			
LTR	DESCRIPTION	DATE	APPROVED



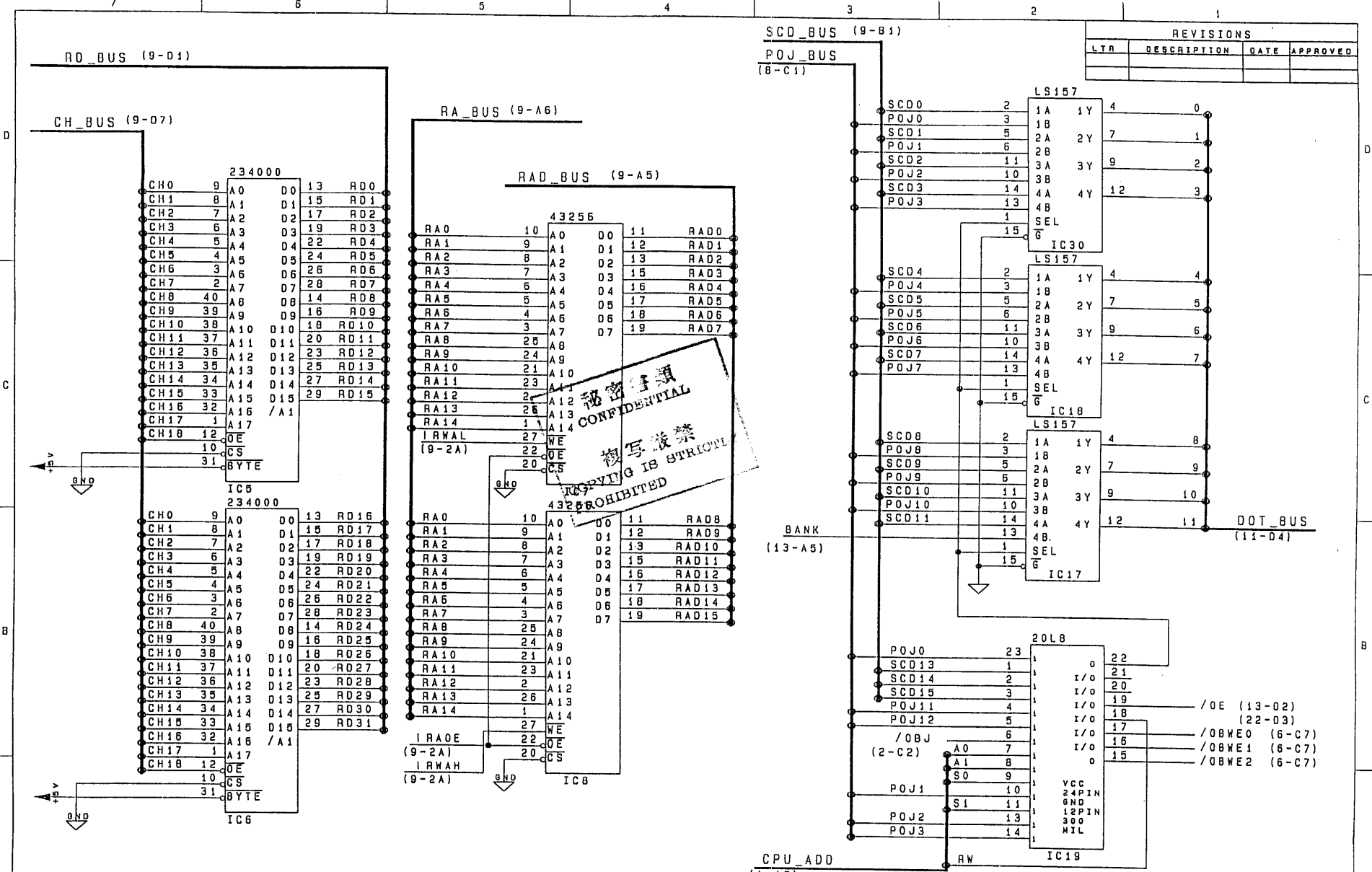
DRAWN DESIGNED CHECKED APPROVED APPROVED K. M.	TAITO CORPORATION NAME MAIN P.C.B SCHEMATIC DIAGRAM SIZE CODE A3 GUN BUSTER SCALE 1/1 DWG. NO. J1100300A RELEASE DATE '92.06.01 SHEET 8 / 25
---	---

REVISIONS			
LTR	DESCRIPTION	DATE	APPROVED



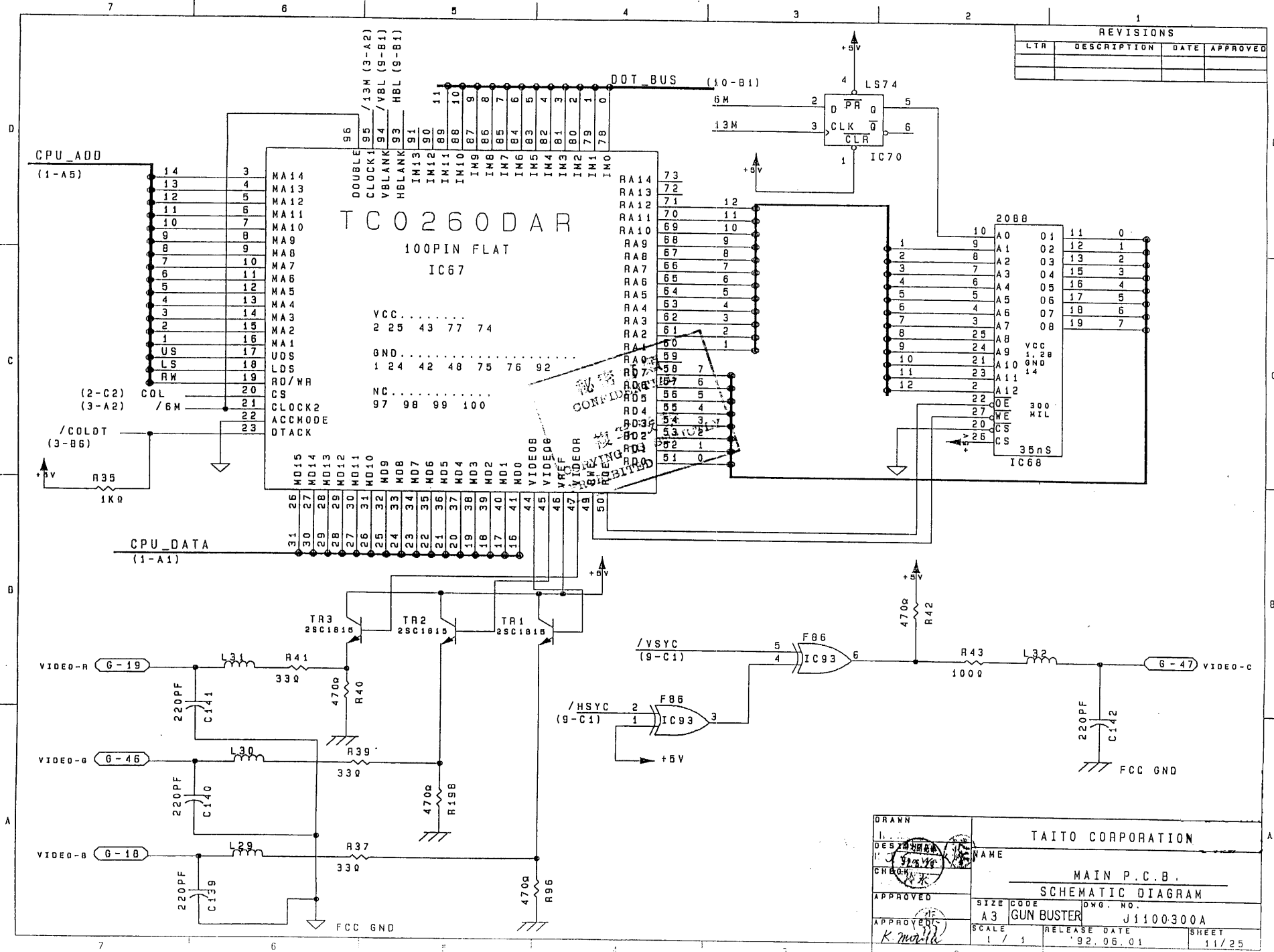
DRAWN DESIGNED CHECKED APPROVED APPROVED	TAITO CORPORATION NAME MAIN P.C.B SCHEMATIC DIAGRAM SIZE CODE A3 GUN BUSTER SCALE RELEASE DATE 92.06.31	DWG. NO. J1100300A SHEET 9 / 25
--	---	--

REVISIONS			
LTR	DESCRIPTION	DATE	APPROVED



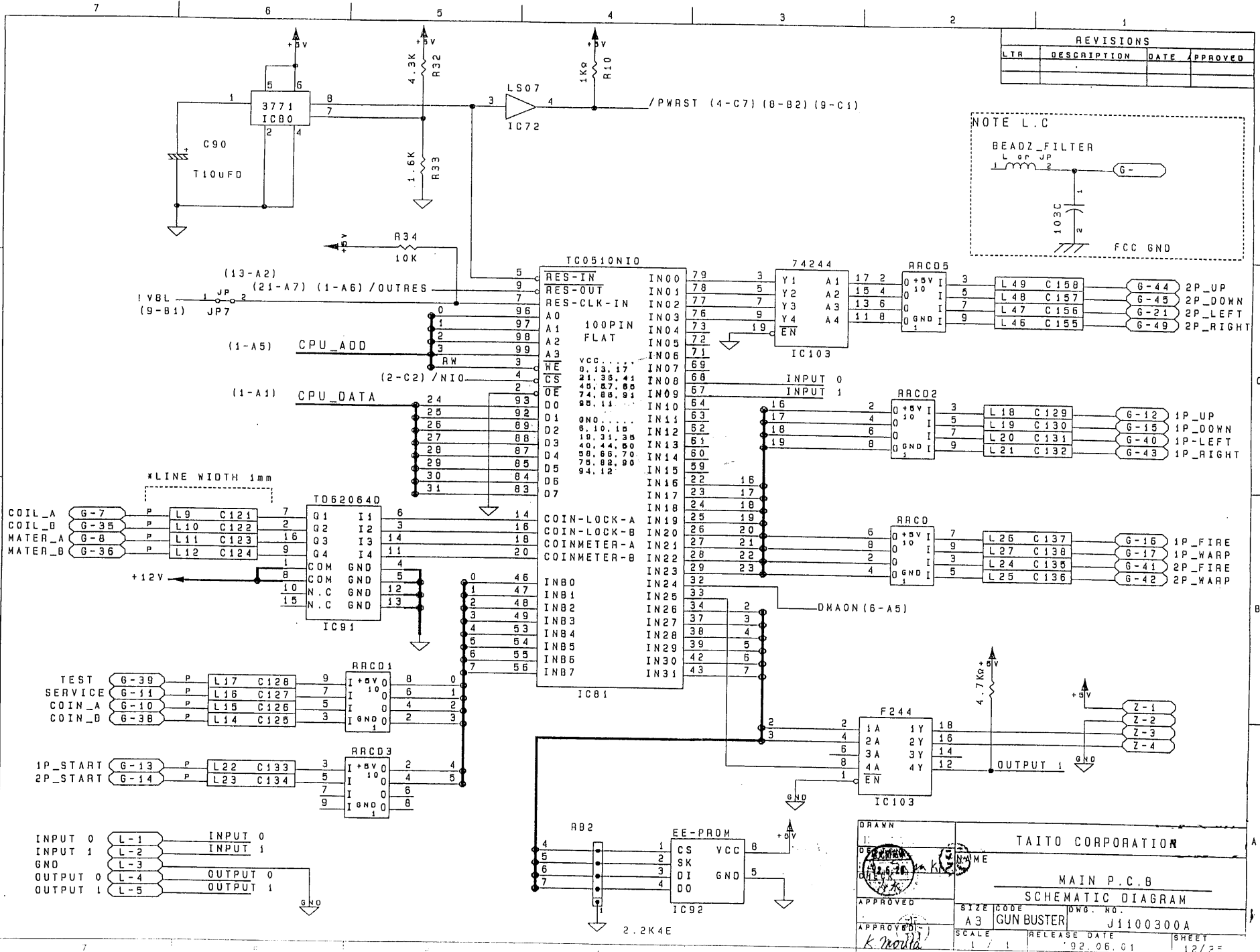
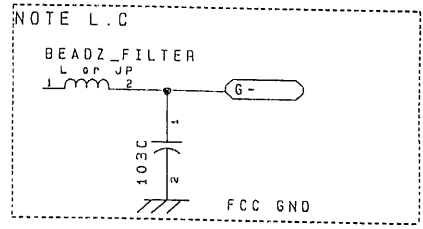
DRAWN		TAITO CORPORATION	
APPROVED		NAME	
APPROVED		MAIN P.C.B.	
APPROVED		SCHEMATIC DIAGRAM	
SIZE	CODE	DWG. NO.	
A3	GUN BUSTER	J1100300A	
SCALE		RELEASE DATE	SHEET
1 / 1		'92.06.01	10 / 25

REVISIONS			
LTR	DESCRIPTION	DATE	APPROVED



DRAWN		TAITO CORPORATION	
DESIGNER	NAME	MAIN P.C.B.	
CHIEF	NAME	SCHEMATIC DIAGRAM	
APPROVED	SIZE CODE	DWG. NO.	
APPROVED	A3	GUN BUSTER	J1100300A
SCALE	1/1	RELEASE DATE	'92.06.01
		SHEET	11/25

REVISIONS			
LTR	DESCRIPTION	DATE	APPROVED



(13-A2) (21-A7) (1-A6) /OUTRES
 !VBL JP 1 2
 (9-B1) JP7

(1-A5) CPU_ADD

(1-A1) CPU_DATA

*LINE WIDTH 1mm

COIL_A G-7 P
 COIL_B G-35 P
 WATER_A G-8 P
 WATER_B G-36 P

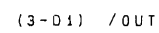
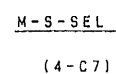
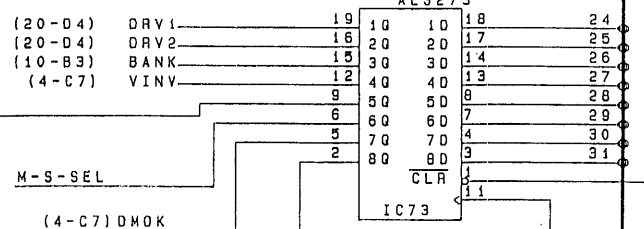
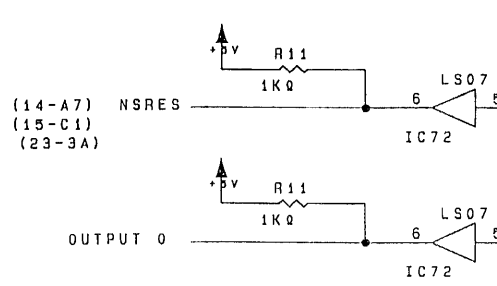
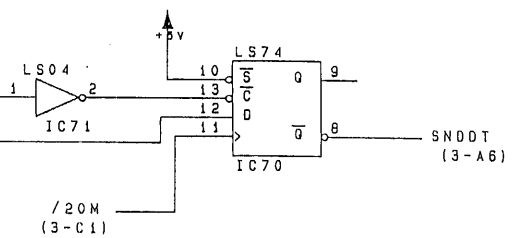
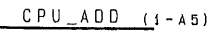
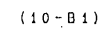
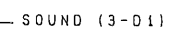
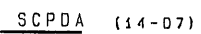
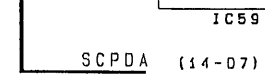
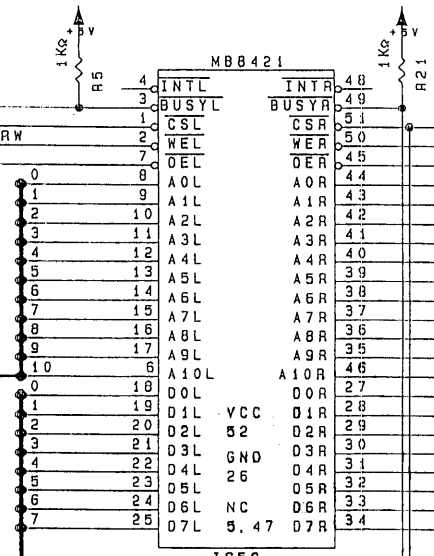
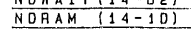
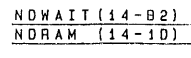
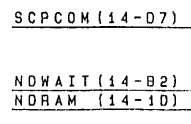
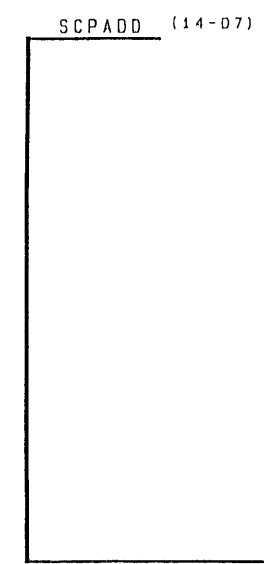
TEST G-39 P
 SERVICE G-11 P
 COIN_A G-10 P
 COIN_B G-38 P

1P_START G-13 P
 2P_START G-14 P

INPUT 0 L-1 INPUT 0
 INPUT 1 L-2 INPUT 1
 GND L-3
 OUTPUT 0 L-4 OUTPUT 0
 OUTPUT 1 L-5 OUTPUT 1

DRAWN
 TAITO CORPORATION
 MAIN P.C.B
 SCHEMATIC DIAGRAM
 APPROVED
 APPROVED
 SIZE CODE A3
 GUN BUSTER
 DWG. NO. J1100300A
 SCALE 1/1
 RELEASE DATE '92.06.01
 SHEET 12/25

REVISIONS			
LTR	DESCRIPTION	DATE	APPROVED



DRAWN		TAITO CORPORATION	
DESIGNER	NAME	MAIN P.C.B	
APPROVED		SCHEMATIC DIAGRAM	
APPROVED	SIZE CODE	OWG. NO.	
	A3	GUN BUSTER	J1100300A
SCALE	RELEASE DATE	SHEET	
1 / 1	'92.06.01	13 / 25	

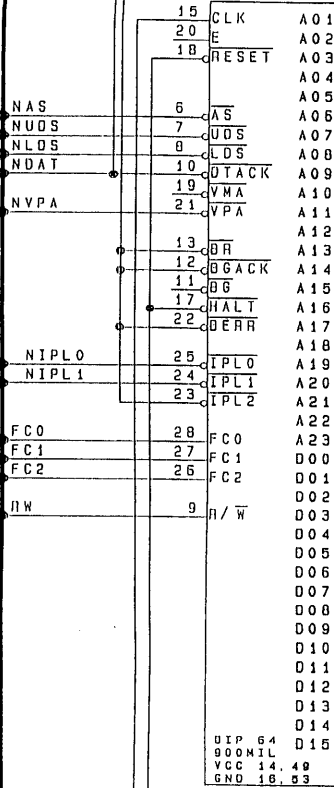
SCPDA (15-07) (13-04)

SCPADD (15-07) (13-07)

SCP COM

(15-07)
(16-A6)
(13-B7)

R3
1KΩ
R4
3.3KΩ
68000

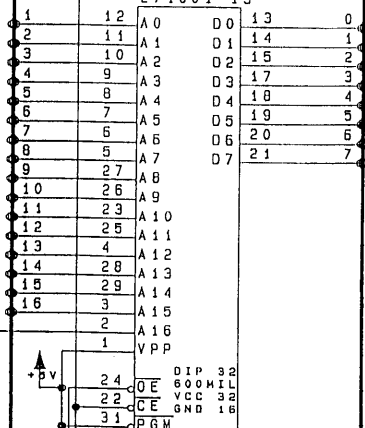


IC33

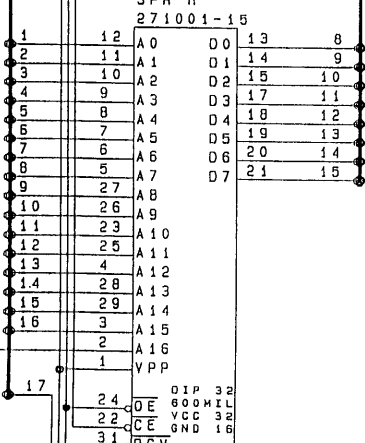
NSRES (13-A7)

M10 (15-A3)

SPR L
271001-15

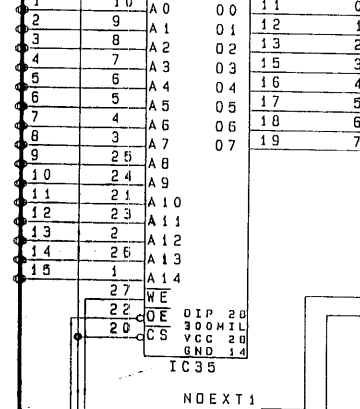


IC34
SPR H
271001-15



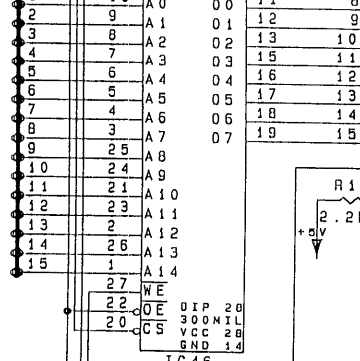
IC45

TC51832-85



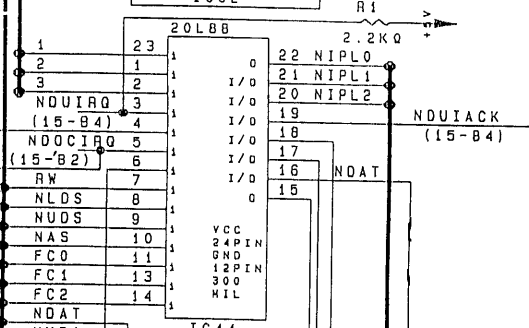
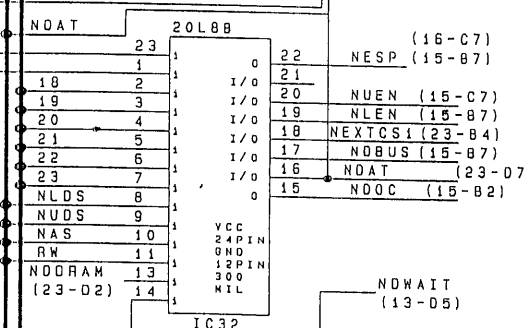
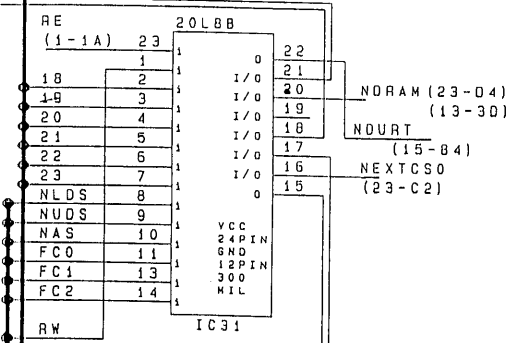
IC35

TC51832-85



IC46

REVISIONS			
LTR	DESCRIPTION	DATE	APPROVED



TAITO CORPORATION

NAME _____

MAIN P.C.B

SCHMATIC DIAGRAM

APPROVED: *K. Morita*

DESIGNER: *J. B. B. B.*

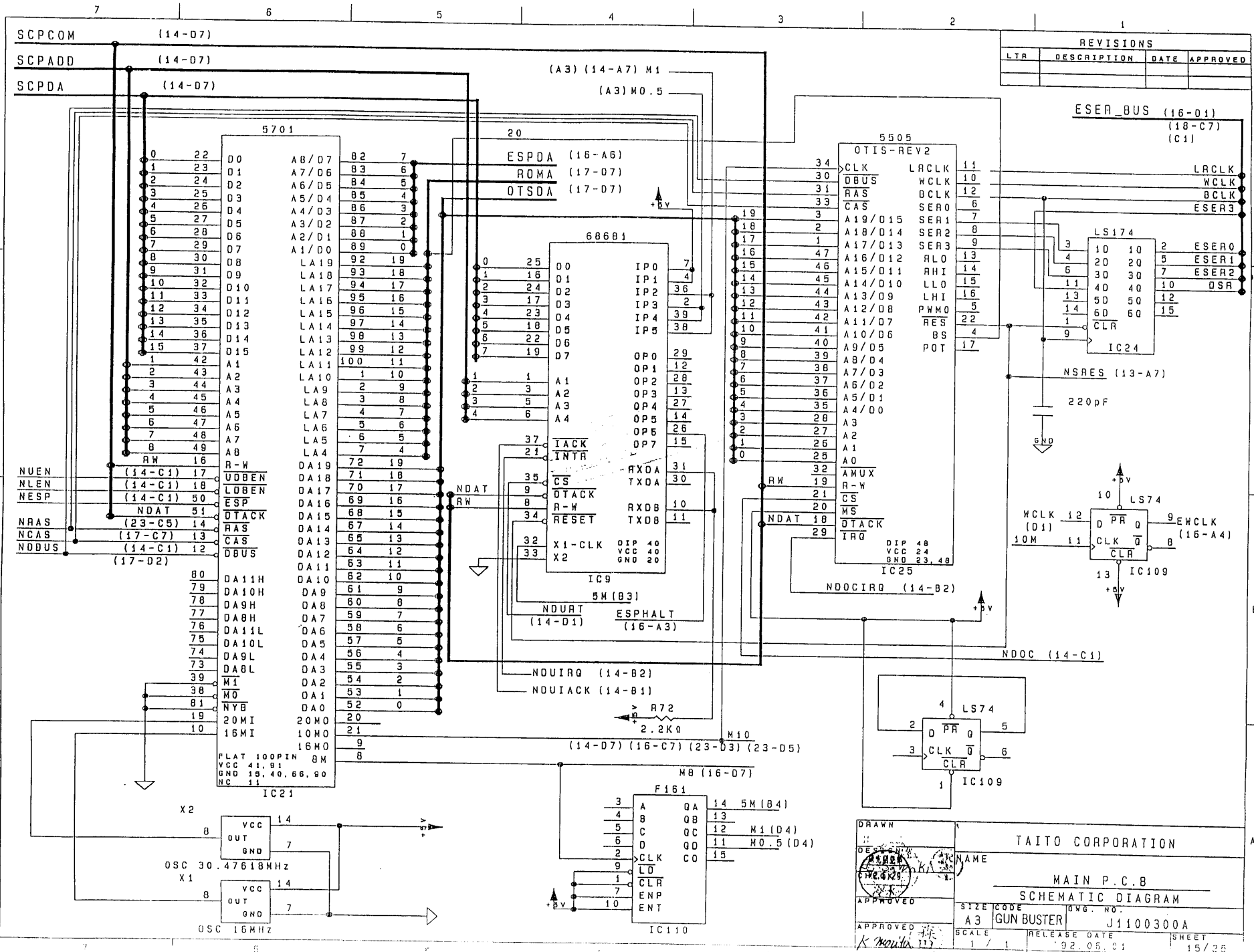
SIZE CODE: A3

SCALE: _____

DWG. NO. J1100300A

RELEASE DATE: 92.05.91

SHEET: 14/25



TAITO CORPORATION

NAME: _____

MAIN P.C.B.

SCHEMATIC DIAGRAM

SIZE CODE: A3 GUN BUSTER DWG. NO. J1100300A

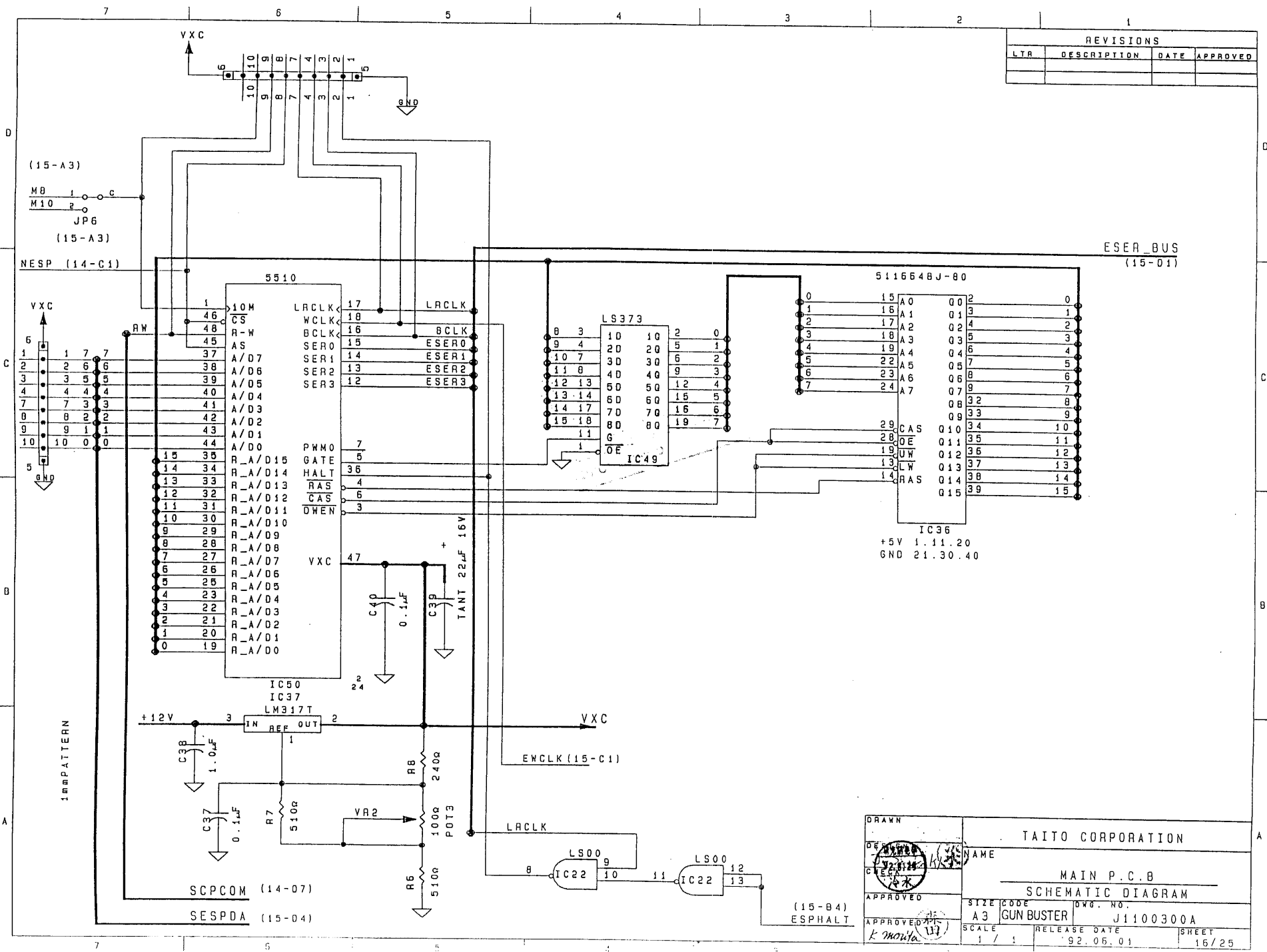
SCALE: 1/1 RELEASE DATE: 92.05.01 SHEET: 15/25

APPROVED: _____

DESIGNER: _____

DRAWN: _____

REVISIONS			
LTR	DESCRIPTION	DATE	APPROVED



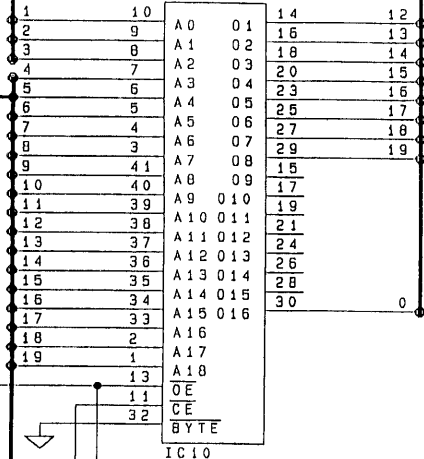
DRAWN		TAITO CORPORATION	
DESIGNED	NAME	MAIN P.C.B.	
CHECKED	NAME	SCHEMATIC DIAGRAM	
APPROVED	SCALE	SIZE CODE	DWG. NO.
APPROVED	1 / 1	A3 GUN BUSTER	J1100300A
K. M. Ohta		RELEASE DATE	SHEET
		92.05.01	16/25

OTSDA (15-04)

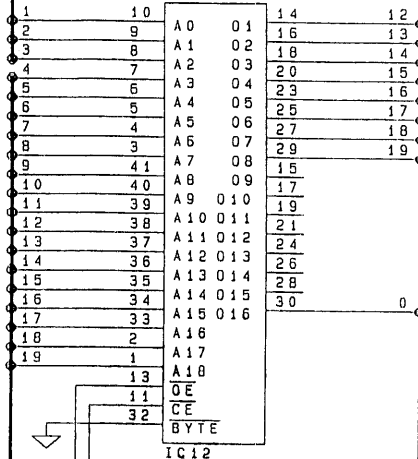
ROMA
(15-04)

(15-B7)
NCAS

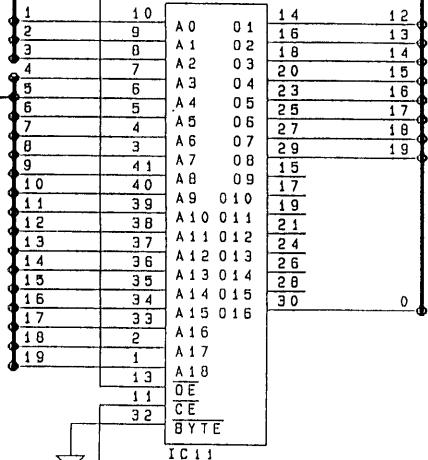
SNDO
838200



SND2
838200

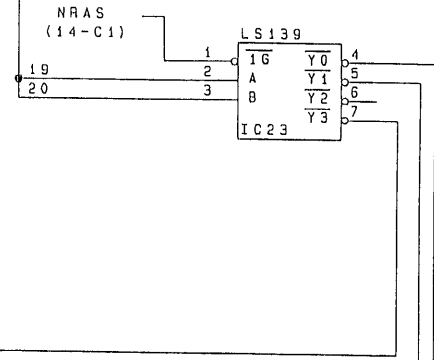


SND1
838200



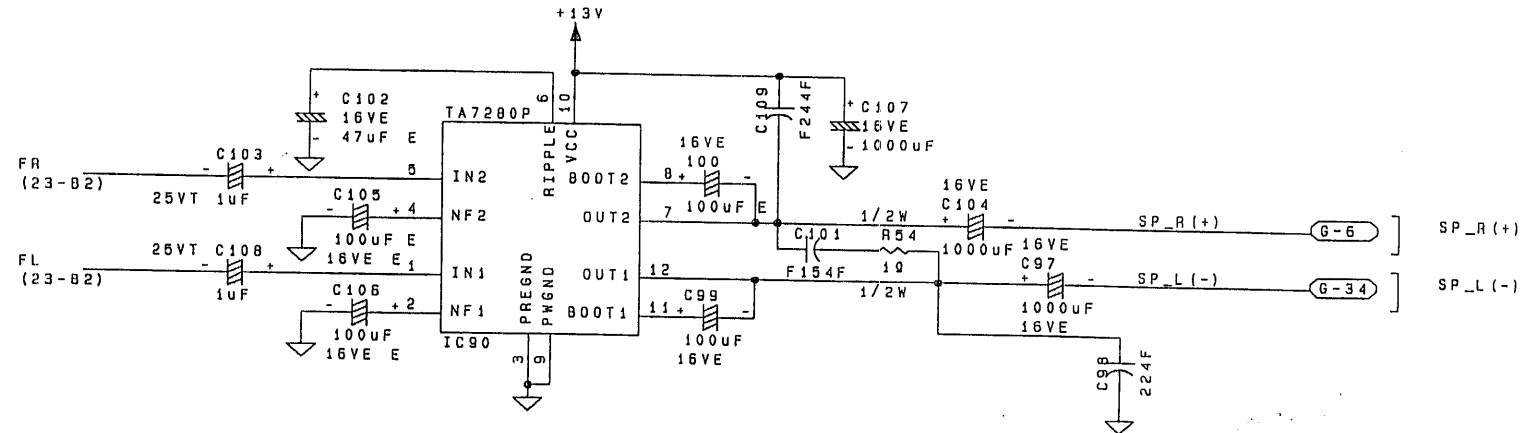
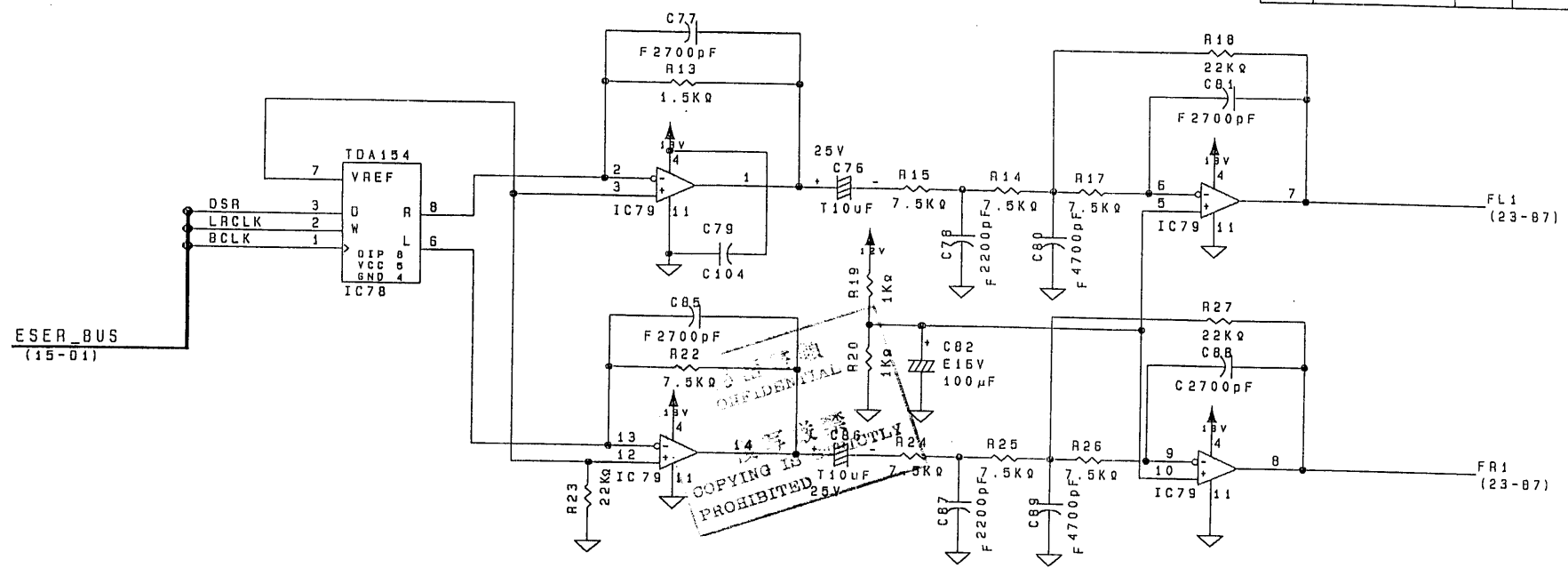
REVISIONS			
LTR	DESCRIPTION	DATE	APPROVED

LA_BUS (23-B5)



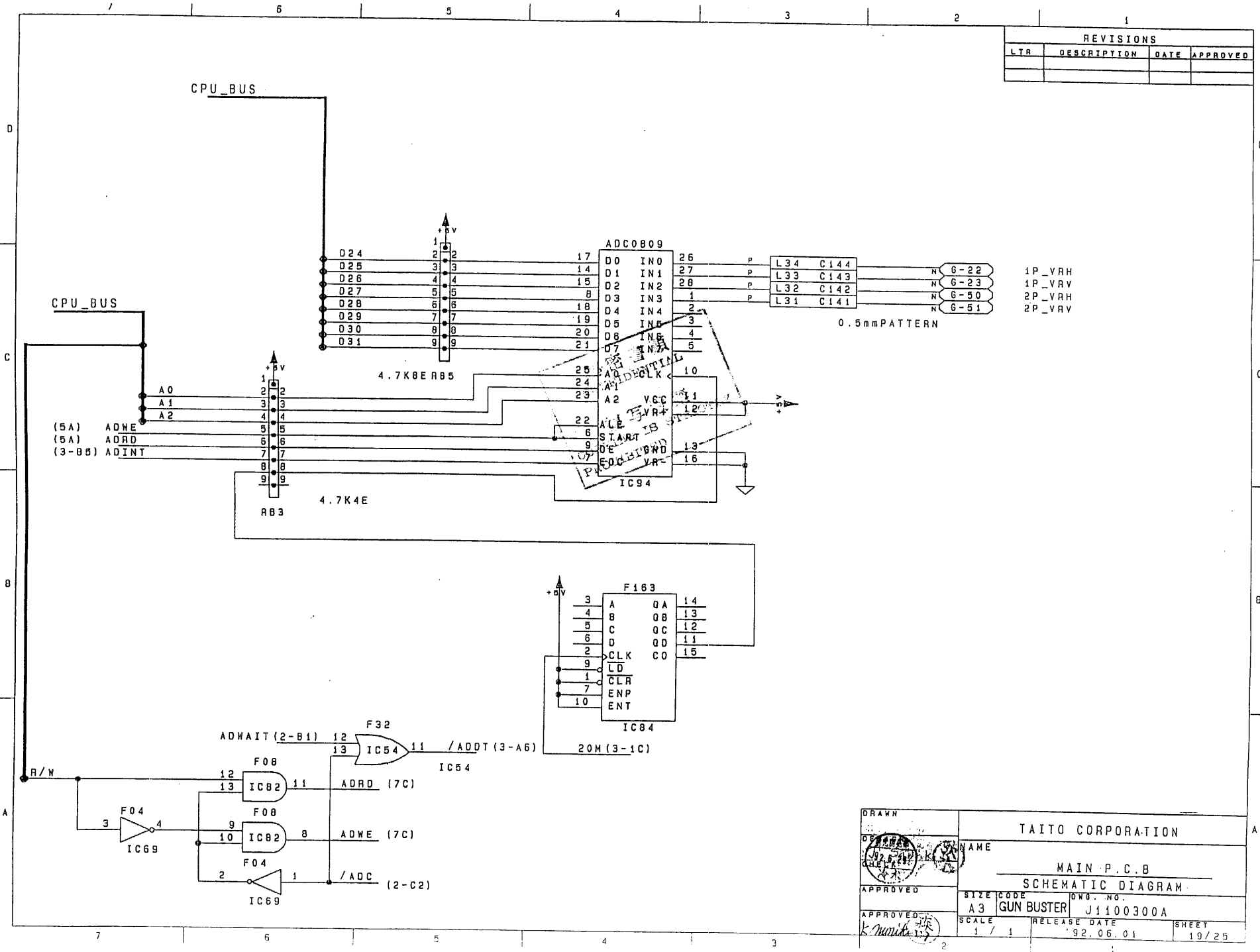
DRAWN		TAITO CORPORATION	
DESIGN		NAME	
CHECKED		MAIN P.C.B	
APPROVED		SCHEMATIC DIAGRAM	
APPROVED BY		SIZE CODE	DWG. NO.
K. Mouri		A3	GUN BUSTER J1100300A
SCALE		RELEASE DATE	SHEET
1		92.06.01	17/25

REVISIONS			
LTR	DESCRIPTION	DATE	APPROVED



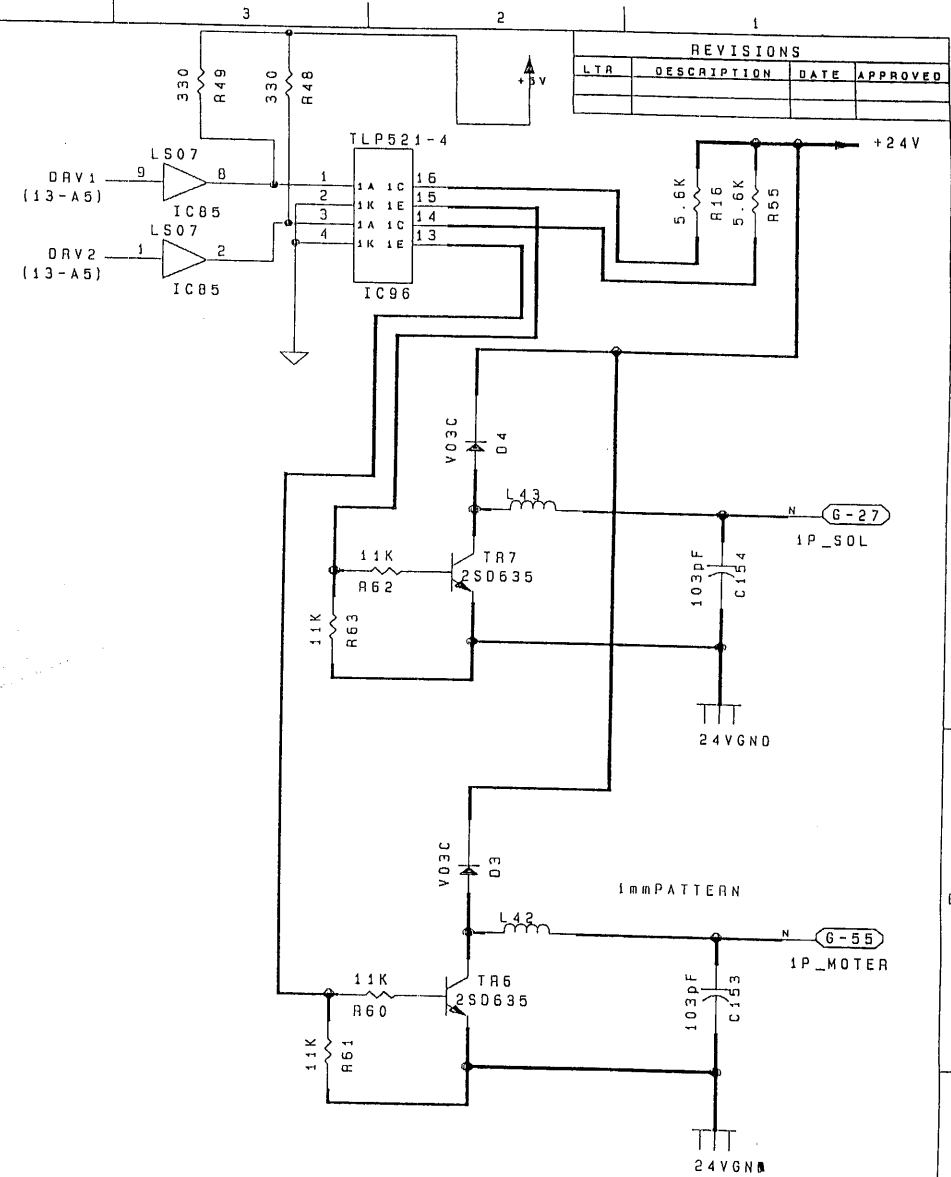
DRAWN		TAITO CORPORATION	
DESIGNED		NAME	
CHECKED		MAIN P.C.B.	
APPROVED		SCHEMATIC DIAGRAM	
APPROVED		SIZE CODE	DWG. NO.
K. Mura		A3	GUN BUSTER J1100300A
SCALE		RELEASE DATE	SHEET
1 / 1		'92.06.01	18 / 25

REVISIONS			
LTR	DESCRIPTION	DATE	APPROVED



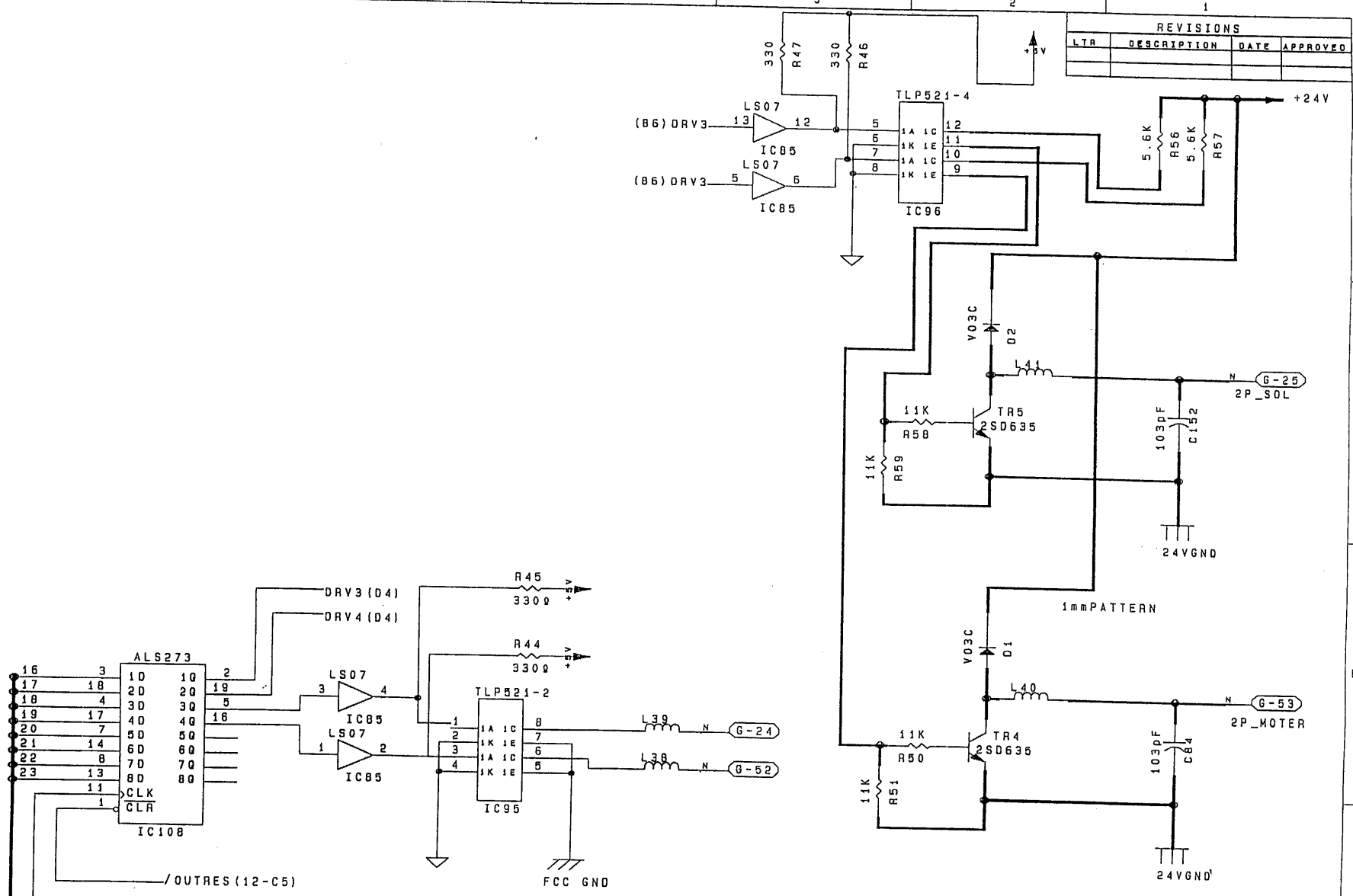
DRAWN		TAITO CORPORATION	
DATE		NAME	
APPROVED		MAIN P.C.B	
APPROVED		SCHEMATIC DIAGRAM	
SCALE		DWG. NO.	
1 / 1		A3 GUN BUSTER J1100300A	
RELEASE DATE		SHEET	
'92.06.01		19/25	

REVISIONS			
LTR	DESCRIPTION	DATE	APPROVED



DRAWN	TAITO CORPORATION		
DESIGNED	NAME	CPU P.C.B	
CHECKED	SCHEMATIC DIAGRAM		
APPROVED	SIZE CODE	DWG. NO.	
	A3	GUN BUSTER	J1100300A
APPROVED	SCALE	RELEASE DATE	SHEET
K. Motiwa	1 / 1	92.05.01	20/25

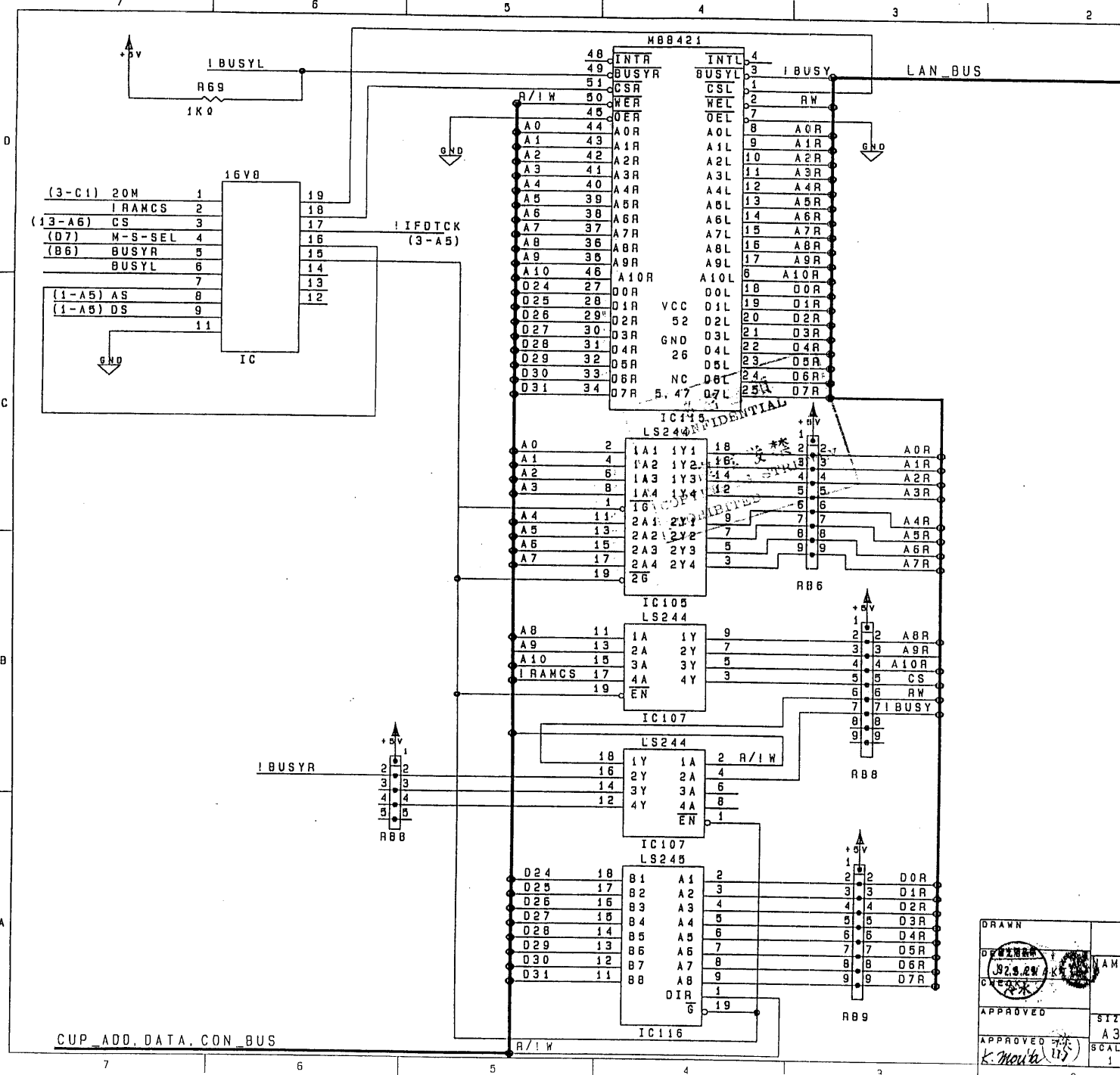
REVISIONS			
LTR	DESCRIPTION	DATE	APPROVED



DRAWN APPROVED APPROVED	TAITO CORPORATION NAME CPU P.C.B SCHEMATIC DIAGRAM SIZE CODE A3 GUN BUSTER SCALE 1/1 DWG. NO. J1100300A RELEASE DATE '92.06.01 SHEET 21/25
---------------------------------------	---

REVISIONS			
LTR	DESCRIPTION	DATE	APPROVED

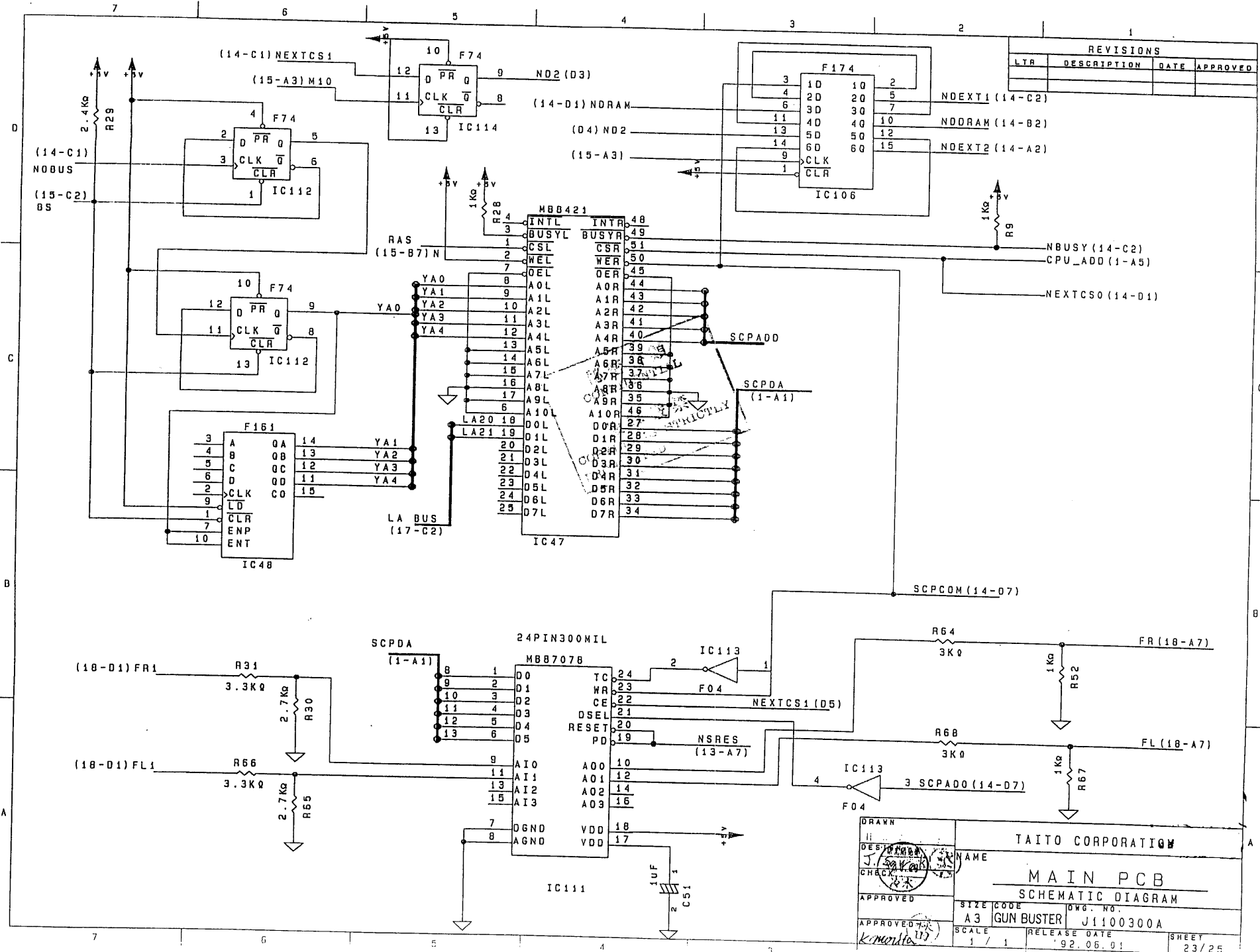
CS	N	C-1
RW	N	C-3
BUSY	N	C-5
A10R	N	C-7
A0R	N	C-9
A1R	N	C-11
A2R	N	C-13
A3R	N	C-15
A4R	N	C-17
A5R	N	C-19
A6R	N	C-21
A7R	N	C-23
A8R	N	C-25
A9R	N	C-27
D0R	N	C-29
D1R	N	C-31
D2R	N	C-33
D3R	N	C-35
D4R	N	C-37
D5R	N	C-39
D6R	N	C-41
D7R	N	C-43



CUP_ADD_DATA_CON_BUS

DRAWN		TAITO CORPORATION	
DESIGNED		NAME	
CHECKED		MAIN P.C.B	
APPROVED		SCHEMATIC DIAGRAM	
APPROVED		SIZE CODE	DWG. NO.
K. Mouta		A3	GUN BUSTER
SCALE		RELEASE DATE	SHEET
1 / 1		'92.06.04	22 / 25

REVISIONS			
LTR	DESCRIPTION	DATE	APPROVED



DRAWN		TAITO CORPORATION	
DESIGNED		NAME	
CHECKED		MAIN PCB	
APPROVED		SCHEMATIC DIAGRAM	
APPROVED		SIZE CODE	DWG. NO.
APPROVED		A3	GUN BUSTER J1100300A
APPROVED		SCALE	RELEASE DATE
APPROVED		1 / 1	'92.06.01
APPROVED		SHEET	
APPROVED		23/25	

REVISIONS			
LTR	DESCRIPTION	DATE	APPROVED

G CONNECTOR			
1	GND	29	GND
2	GND	30	GND
3	+5V	31	+5V
4	+5V	32	+5V
5	+13V	33	+13V
6	RSP (+)	34	LSP (-)
7	LOCK A	35	LOCK B
8	METER A	36	METER B
9	POST	37	POST
10	COIN A	38	COIN B
11	SERVICE	39	TEST
12	1P_UP	40	1P_LEFT
13	1P_START	41	2P_GUN
14	2P_START	42	2P_BONB
15	1P_DOWN	43	1P_RIGHT
16	1P_GUN	44	2P_UP
17	1P_BOMB	45	2P_DOWN
18	BLUE	46	GREEN
19	RED	47	COMP
20	GND	48	GND
21	2P_LEFT	49	2P_RIGHT
22	1P_VRH	50	2P_VRH
23	1P_VRV	51	2P_VRV
24	1P_LAMP	52	2P_LAMP
25	2P_SOL	53	2P_MOTER
26	+24V	54	+24V
27	1P_SOL	55	1P_MOTER
28	24V GND	56	24V GND

C CONNECTOR			
1	CS	2	GND
3	RW	4	GND
5	BUSY	6	GND
7	A10R	8	GND
9	A0R	10	GND
11	A1R	12	GND
13	A2R	14	GND
15	A3R	16	GND
17	A4R	18	GND
19	A5R	20	GND
21	A6R	22	GND
23	A7R	24	GND
25	A8R	26	GND
27	A9R	28	GND
29	D0R	30	GND
31	D1R	32	GND
33	D2R	34	GND
35	D3R	36	GND
37	D4R	38	GND
39	D5R	40	GND
41	D6R	42	GND
43	D7R	44	GND
45		46	GND
47		48	GND
49		50	GND

XG4A (DIP STRAIGHT 50P)

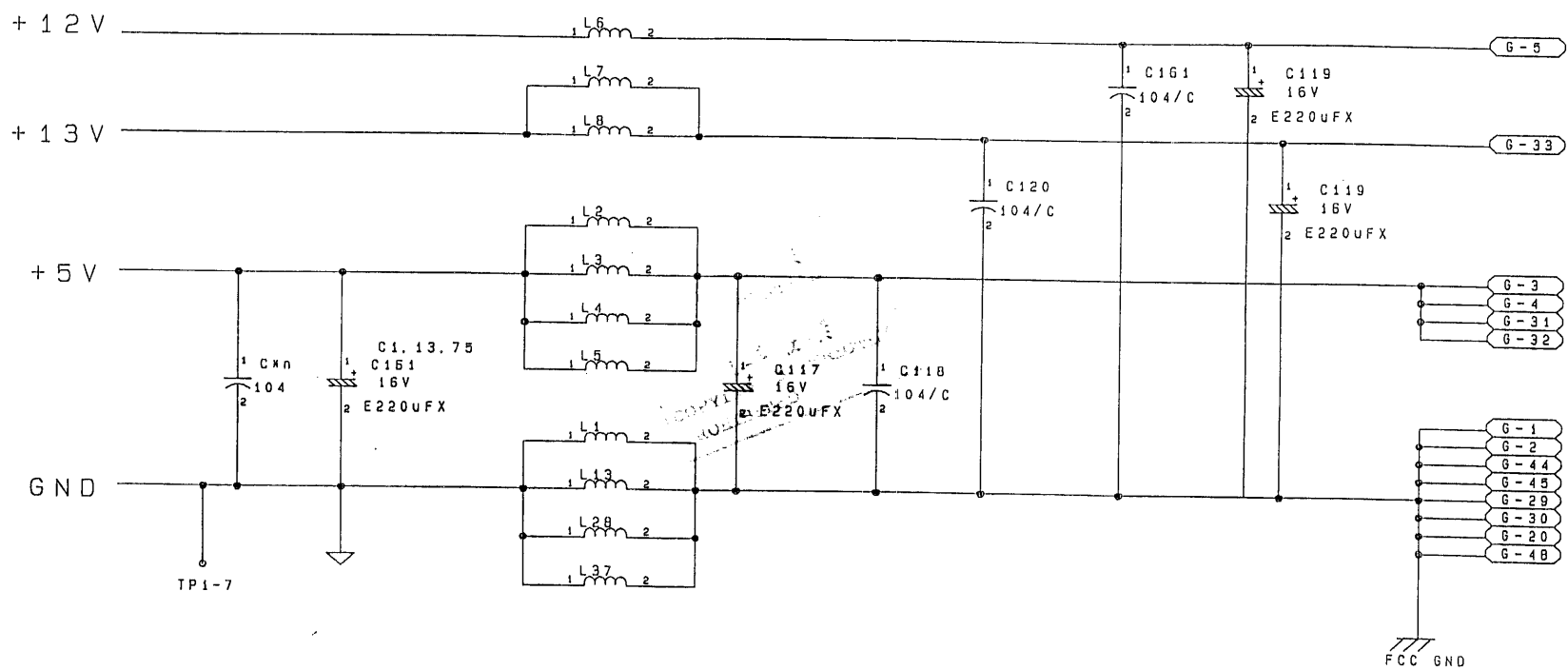
Z CONNECTOR	
1	+5V
2	GND
3	Z0
4	Z1

B04-SHF-1

L CONNECTOR	
1	INPUT 0
2	INPUT 1
3	GND
4	OUTPUT 0
5	OUTPUT 1

DRAWN DESIGNED CHECKED	TAITO CORPORATION		
	NAME		
APPROVED	MAIN P.C.B		
	SCHEMATIC DIAGRAM		
APPROVED BY	SIZE CODE	DWG. NO.	
	A3	GUN BUSTER	J1100300A
	SCALE	RELEASE DATE	SHEET
	1 / 1	'92.06.01	24/25

REVISIONS			
LTR	DESCRIPTION	DATE	APPROVED



DRAWN	TAITO CORPORATION		
DESIGNER	NAME	MAIN P.C.B	
CHECKER	SCHEMATIC DIAGRAM		
APPROVED	SIZE	CODE	DWG. NO.
	A3	GUN BUSTER	J1100300A
APPROVED	SCALE	RELEASE DATE	SHEET
	1/1	'92.05.01	25/25