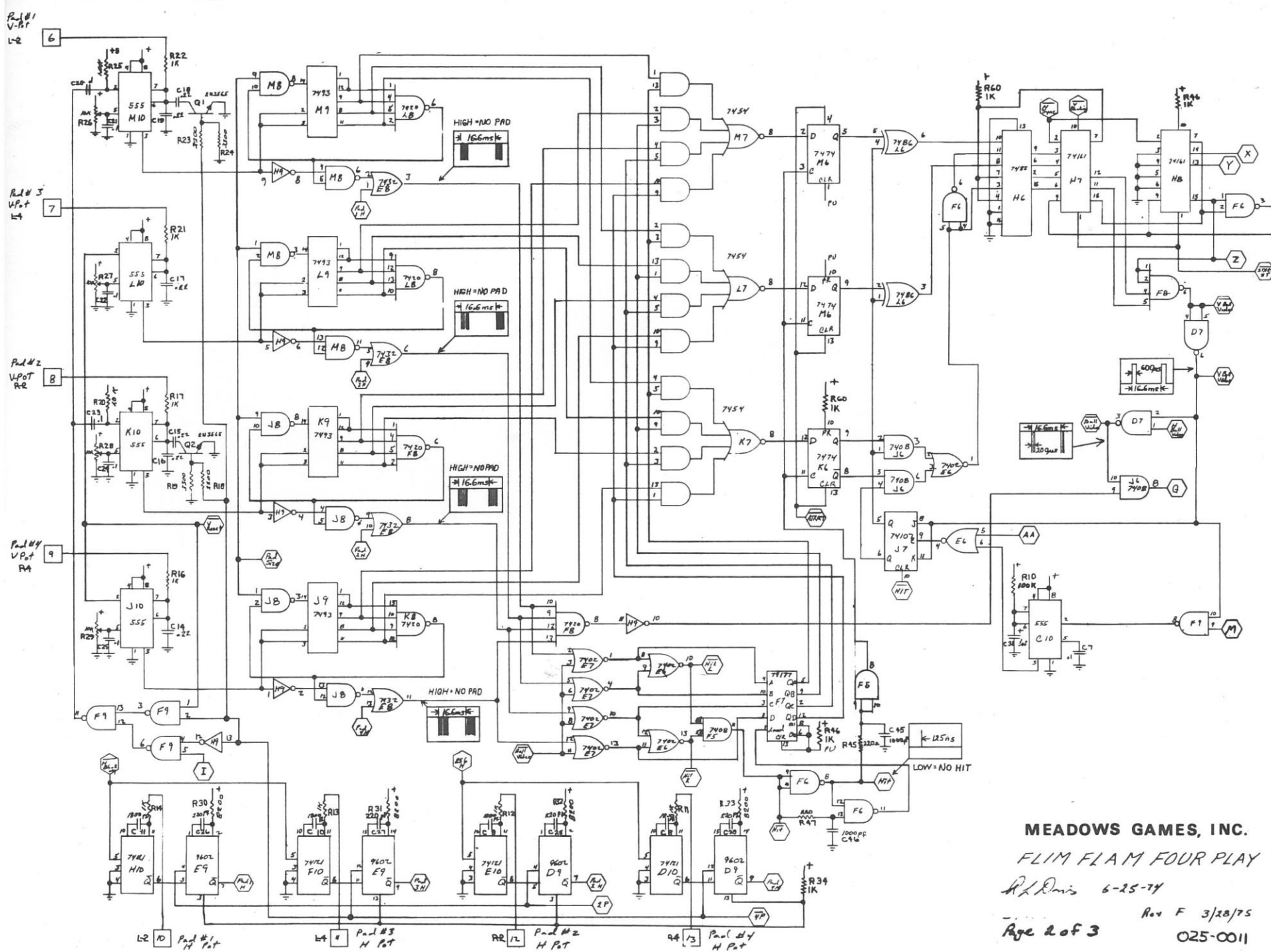
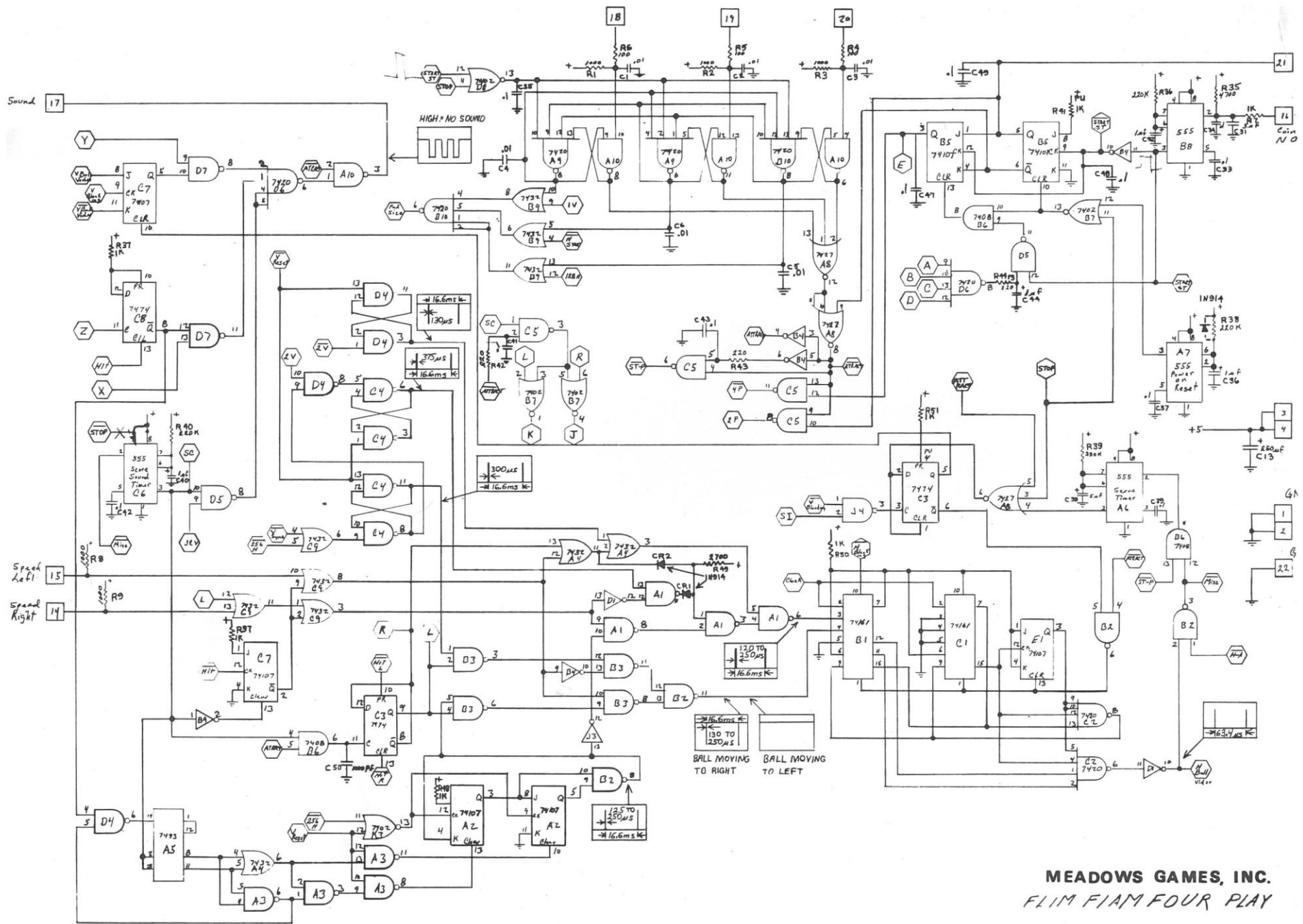


MEADOWS GAMES, INC
 FLIM FLAM FOUR PL,
 Rd. Drive 6-25-74 Rev F 3/2
 Age 1 of 3
 025-0011

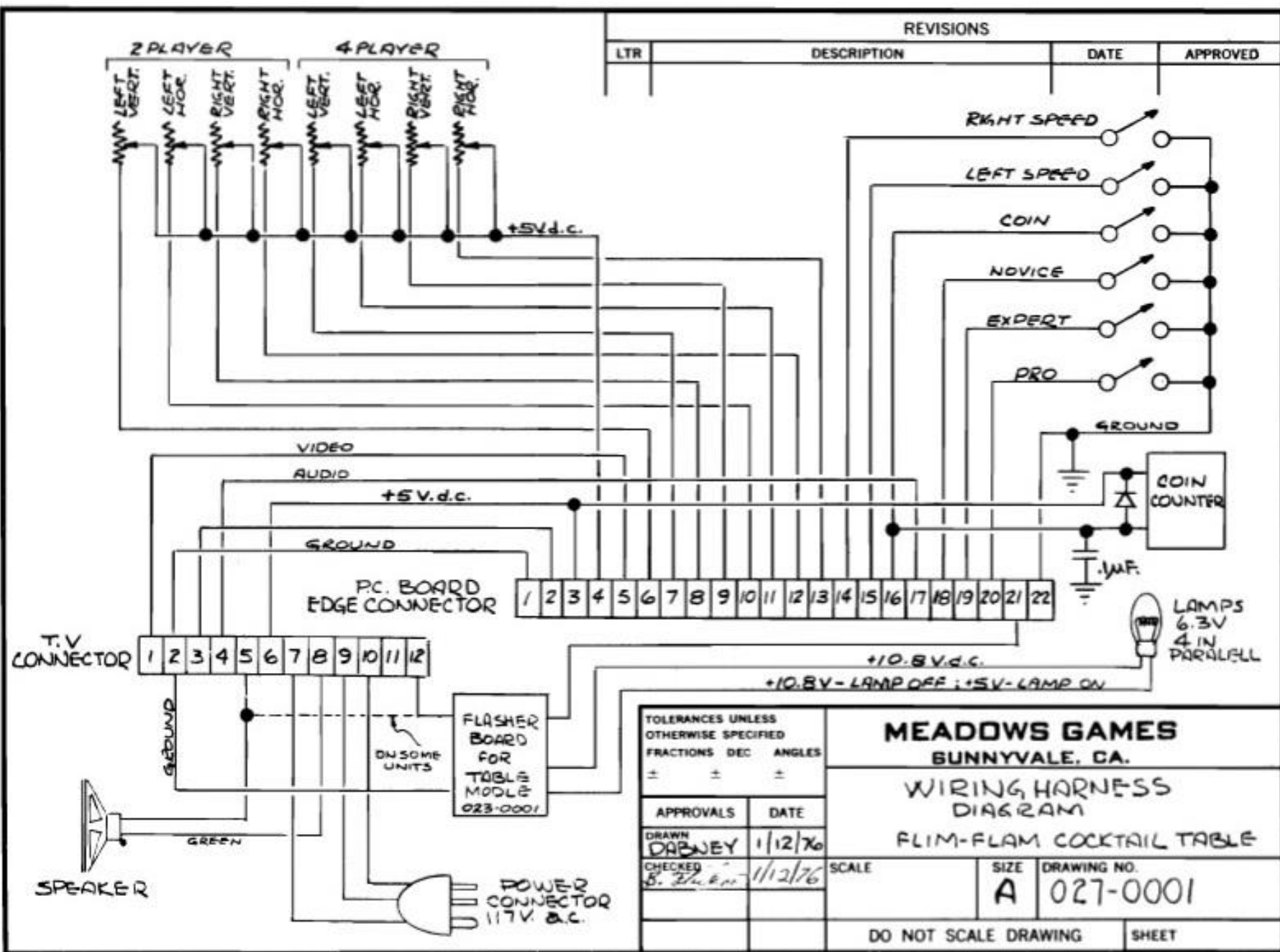


MEADOWS GAMES, INC.
 FLIM FLAM FOUR PLAY
 R.L. Davis 6-25-74
 Rev F 3/28/75
 Page 2 of 3
 025-0011



MEADOWS GAMES, INC.
FLIM FIAM FOUR PLAY

R.L. Davis 6-25-74
 Rev F 3/16/75
 Page 3 of 3 025-0011



REVISIONS			
LTR	DESCRIPTION	DATE	APPROVED

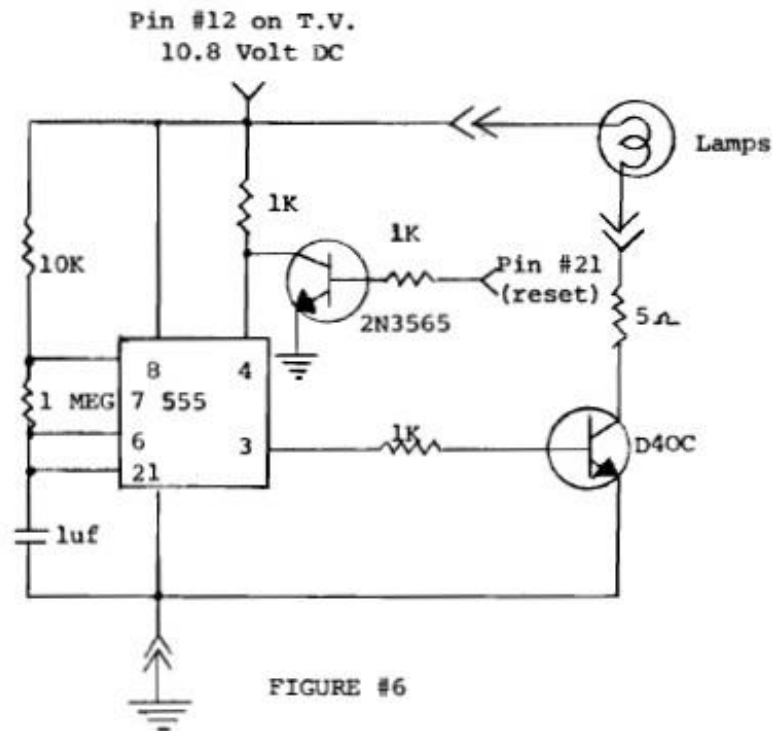


FIGURE #6

TOLERANCES UNLESS OTHERWISE SPECIFIED		FLASHER FOR COCKTAIL TABLE		
FRACTIONS	DEC	ANGLES		
±	±	±		
APPROVALS	DATE	MEADOWS GAMES, INC.		
DRAWN B.F.	6/18/75	SCALE	SIZE A	DRAWING NO. 25-0001
CHECKED		DO NOT SCALE DRAWING		SHEET

Film Flam POT conversion

To replace the blue Bourne pots with the modified Allen Bradley pots, first remove the wires from the joystick control, keeping the two pairs of wires separate. Mark the ones that come off the pot sticking out to the right. These are for the vertical control.

Next, remove the four screws that mount the joystick control unit to the game, and remove the control from the game.

Orienting the control like in fig. 1, remove the two screws holding the upper pot mounting and bail assembly (marked blue in the drawing). Slip off the bail assembly and remove the nut holding the pot in place. Referring to figure 2, discard parts 34, 18, 33, 32, and 23. Insert the new pot marked with blue in part #25, as in fig. 3. Fasten snugly in place with washer and nut 22 and 21. Slip on the bail assembly.

Repeat with the plain pot.

Reassembling the control unit, the plain pot is mounted first. Rotate the bail all the way from right to left and note that it will travel far enough only when rotated to the left. With the bail rotated all the way to the left, remount on the control base as normal. (fig. 1)

On the blue pot the bail must be rotated to the right. Mount as normal.

When reinstalling the control unit on the game, the plain pot must point to the right. Attach the vertical control wires to the plain pot. Attach the wires to the two straight terminals on each pot, (fig. 1).

Adjust paddle travel as you normally would by tuning the pot.

