

# Table of Contents

Table of Contents	Sheet 1A
Arabian Main Wiring Diagram (040285-01 A)	Sheet 1B
Arabian Regulator/Audio II PCB Schematic Diagram (035435-02 F), Color Raster Power Supply Wiring Diagram (037669-01 E)	Sheet 2A
Arabian Coin Door Wiring Diagram (A037542-01 E), Utility Panel Wiring Diagram (A038004-01 F), Fluorescent Light Wiring Diagram (035833-01 A)	Sheet 2B

## Display Schematics, Sheets 3A-4B

Atari Color Raster Display Wiring Diagram (200002-01 C)	Sheet 3A
Atari Color Raster Display Deflection PCB Schematic Diagram (2010222-01 C)	Sheet 3B
Atari Color Raster Display Neck PCB Schematic Diagram (201020-01 B)	Sheet 4A
Matsushita Color Raster Display Schematic Diagram	Sheet 4B

Arabian Memory Map	Sheet 5A
Arabian Block Diagram and Guide to PCB Schematics	Sheet 5B

## Game PCB Schematics, Sheets 6A-11B

Arabian Game Microprocessor, Game Power Input, Watchdog Enable	Sheet 6A
Arabian Address Decoders, Program ROM	Sheet 6B
Arabian Custom I/O Microprocessor RAM, RAM Control, Read/Write	Sheet 7A
Arabian Input Bus Driver, Custom I/O Microprocessor	Sheet 7B
Arabian Coin and Dip Switch Inputs, Sound Microprocessor	Sheet 8A
Arabian Clock, Sync Chain, and Timing Signals	Sheet 8B
Arabian Row/Column Address Select, Dynamic RAM Write Enable, Enable Logic Control	Sheet 9A
Arabian Dynamic RAM Flip Address Decoders, Dynamic RAM Address Decoders, Dynamic RAM Address Multiplexers	Sheet 9B
Arabian DMA Control	Sheet 10A
Arabian Picture ROM Address Decoder, Picture ROM, Dynamic RAM Data Selector	Sheet 10B
Arabian Red/Shade and Green/Blue Playfield RAM, Red/Shade and Green/Blue Motion Object RAM	Sheet 11A
Arabian Video Output Decoders, Video Output	Sheet 11B
Arabian EMI Shield PCB Schematic Diagram	Sheet 12A

### NOTE

An Arabian Troubleshooting Guide is included as part of this Schematic Package Supplement. The Arabian Troubleshooting Guide contains Atari CAT Box<sup>®</sup> troubleshooting procedures and signal name descriptions.



**NOTE**  
Remove this staple to separate  
the schematic diagrams from  
the Troubleshooting Guide.

## Schematic Package Supplement to

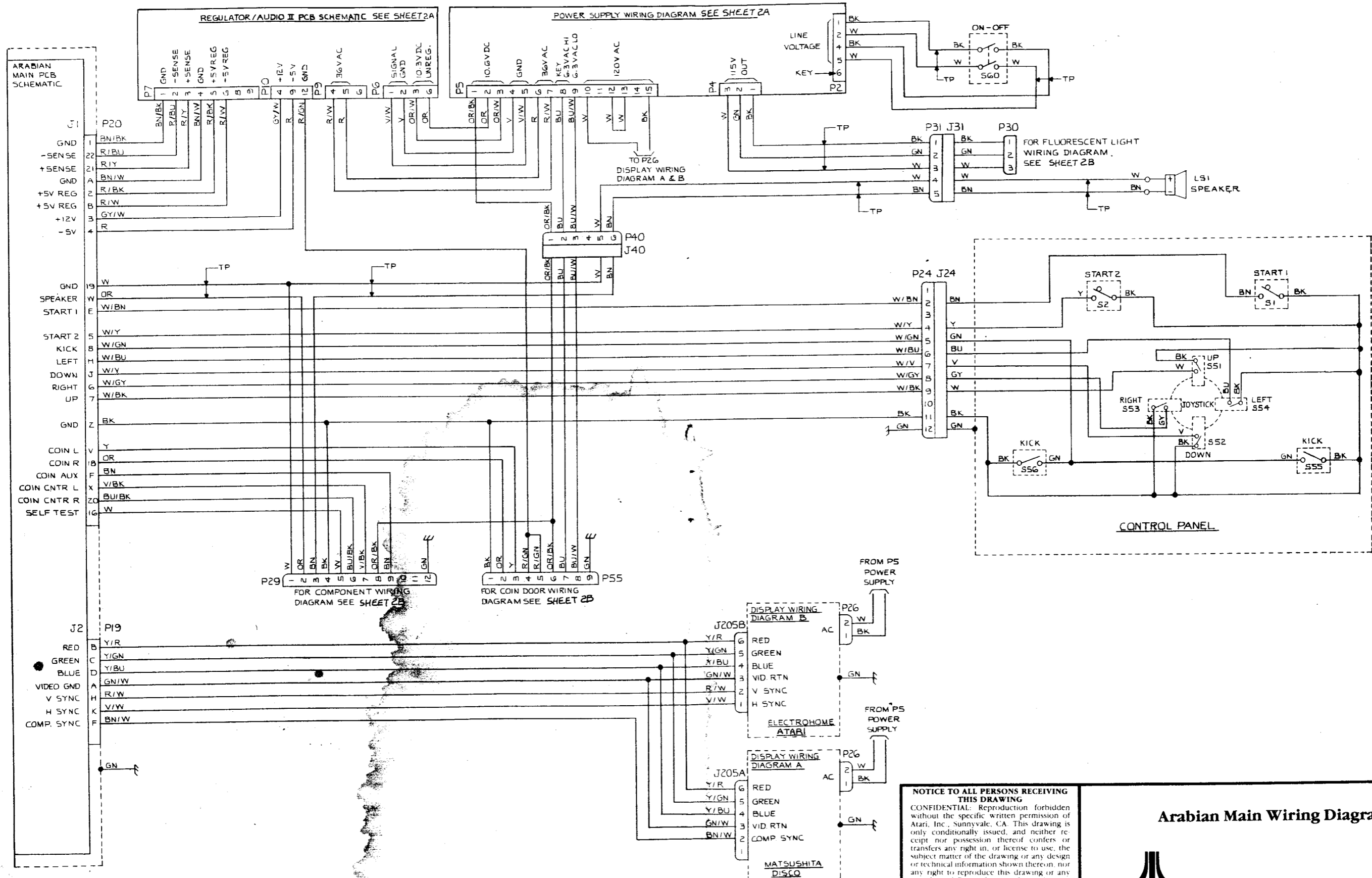
# ARABIAN<sup>TM</sup>

## Operators Manual

Includes  
Troubleshooting Guide

\*Manufactured under license from Sun Electronics Corporation.

ATM



**NOTICE TO ALL PERSONS RECEIVING THIS DRAWING**

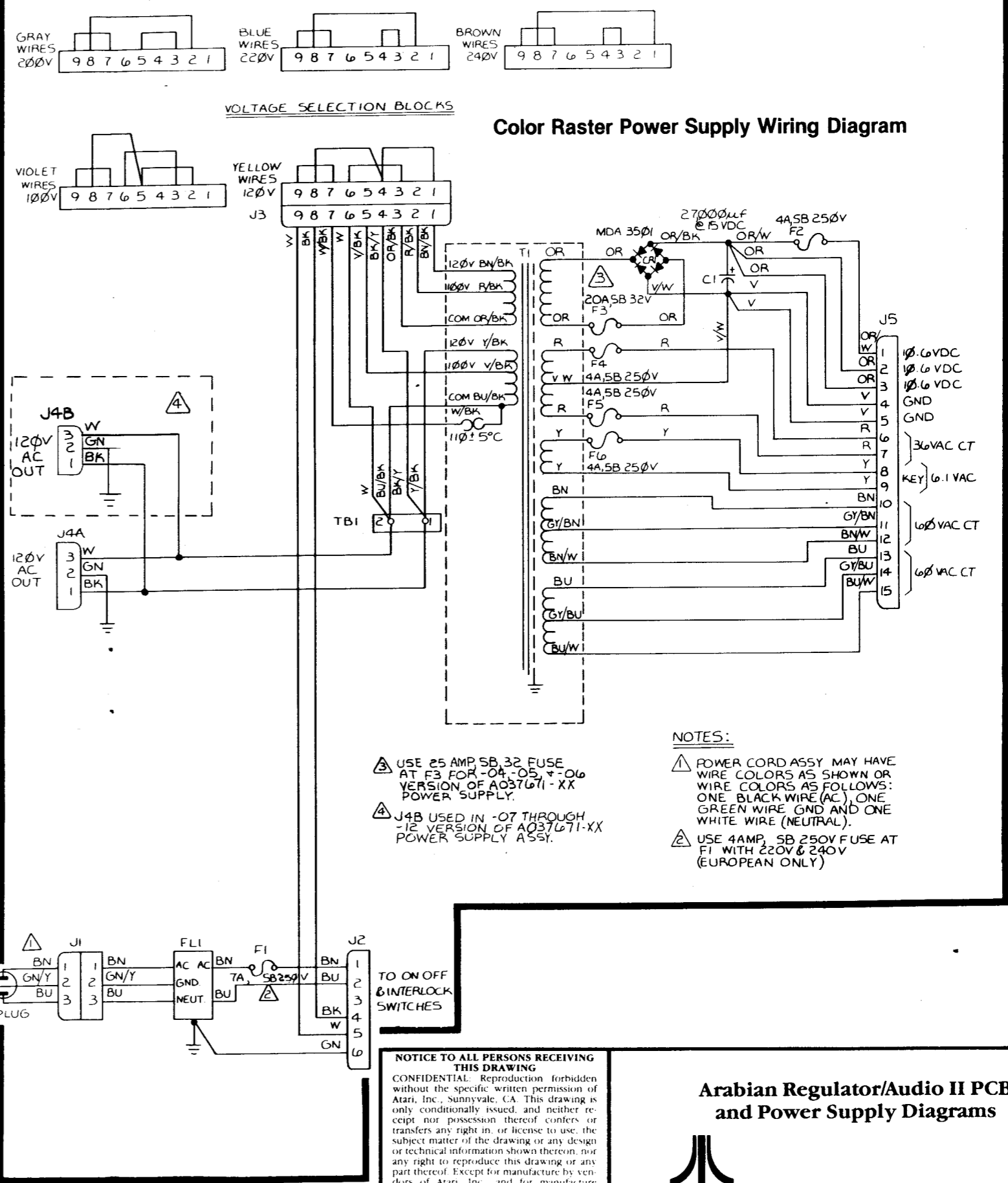
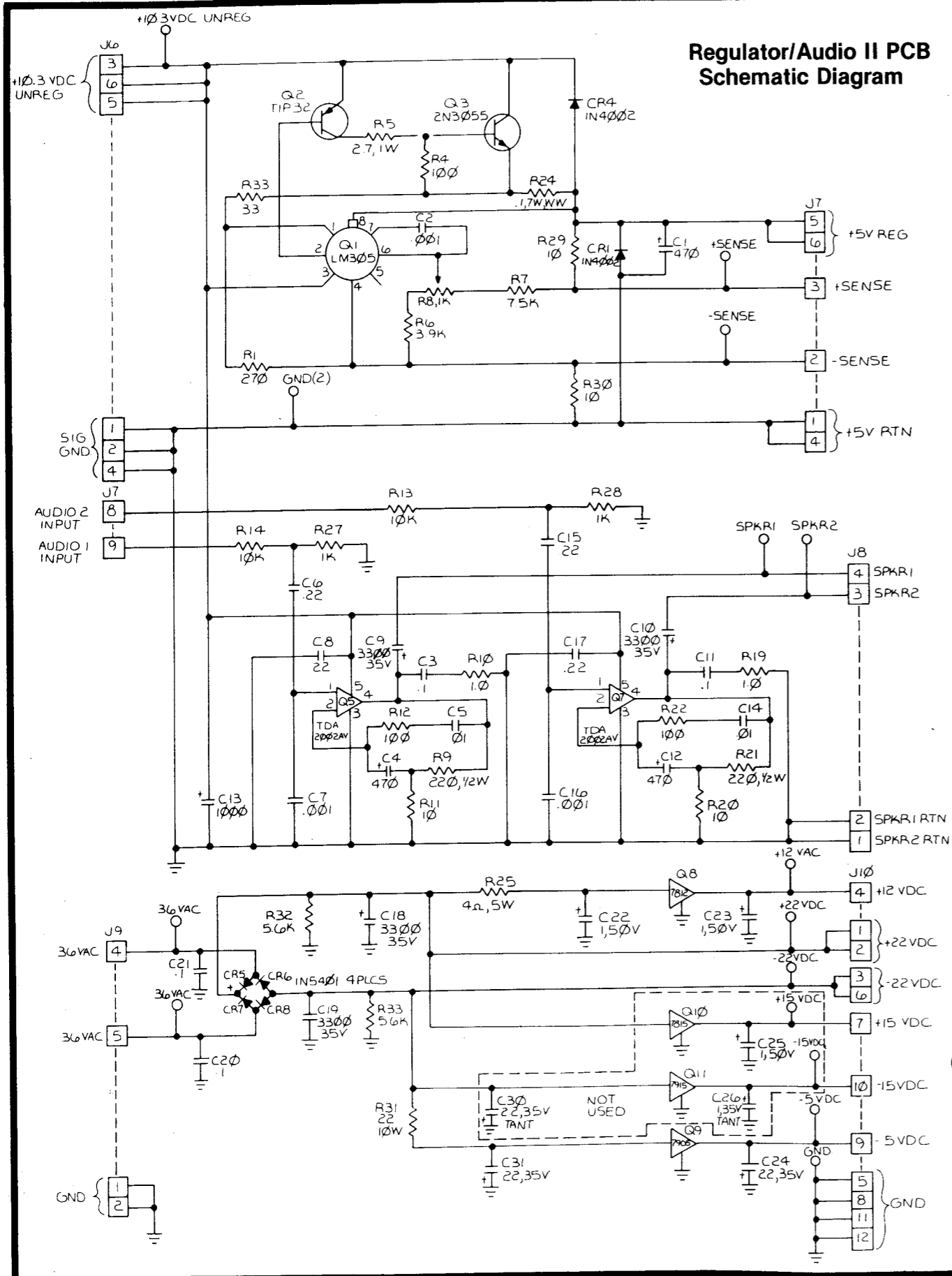
CONFIDENTIAL: Reproduction forbidden without the specific written permission of Atari, Inc., Sunnyvale, CA. This drawing is only conditionally issued, and neither receipt nor possession thereof confers or transfers any right in, or license to use, the subject matter of the drawing or any design or technical information shown thereon, nor any right to reproduce this drawing or any part thereof. Except for manufacture by vendors of Atari, Inc., and for manufacture under the corporation's written license, no right is granted to reproduce this drawing or the subject matter thereof, unless by written agreement with or written permission from the corporation.

**Arabic Main Wiring Diagram**

**ATARI**

ATARI INC. 1983

SP-237 Sheet 1B  
1st printing



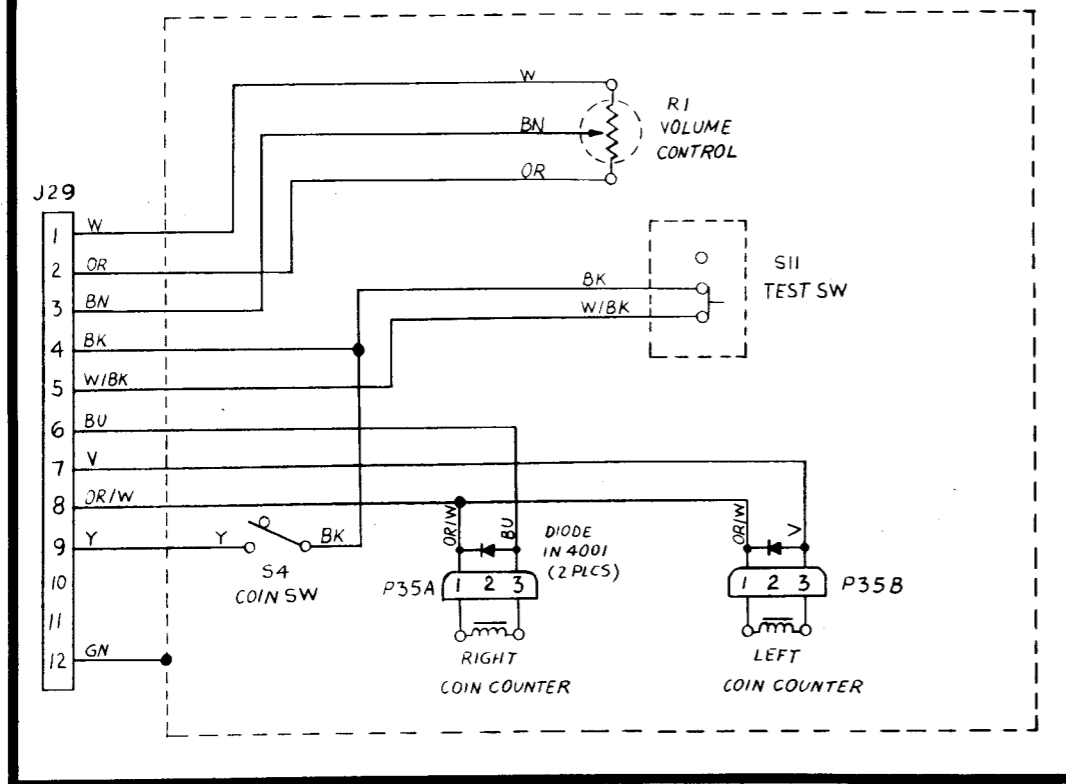
### Arabian Regulator/Audio II PCB and Power Supply Diagrams



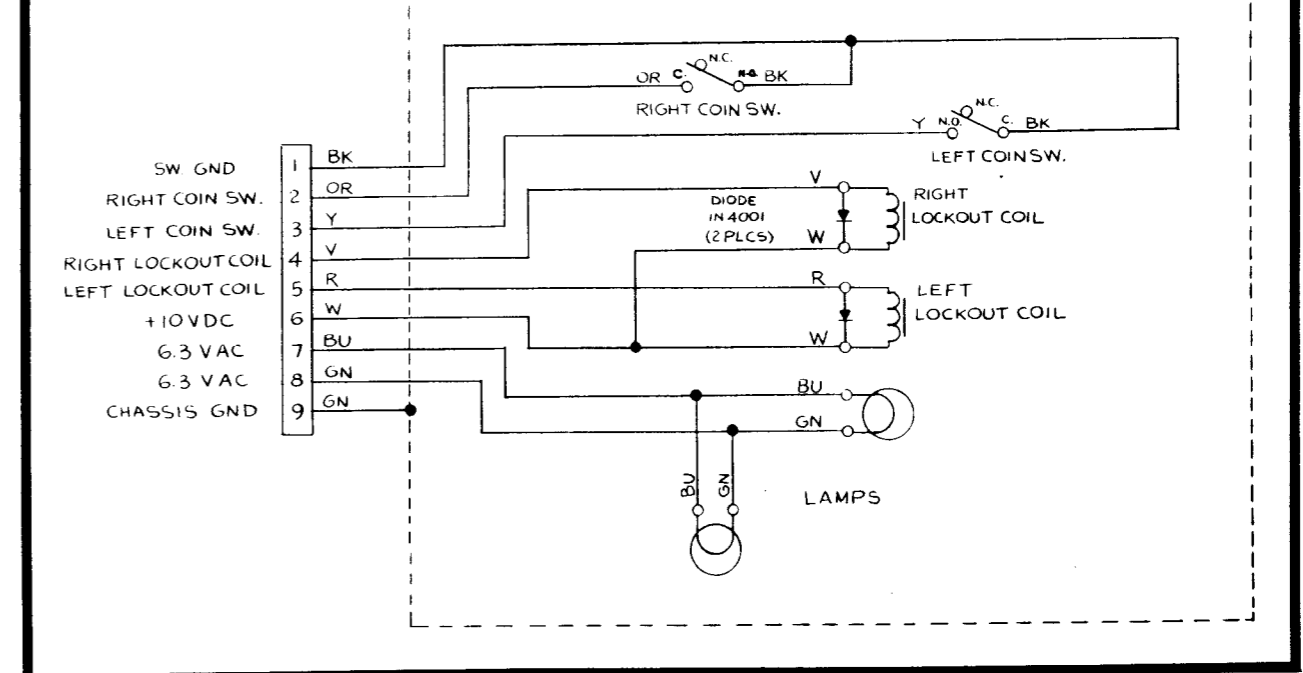
ATARI INC. 1983

SP-237 Sheet 2A  
1st printing

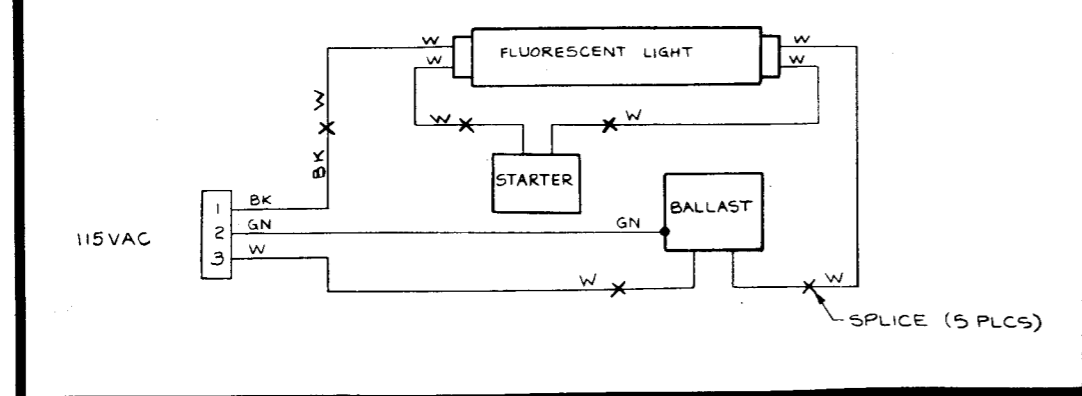
**Utility Panel Wiring Diagram**



**Coin Door Wiring Diagram**



**Fluorescent Light Wiring Diagram**



**NOTICE TO ALL PERSONS RECEIVING THIS DRAWING**

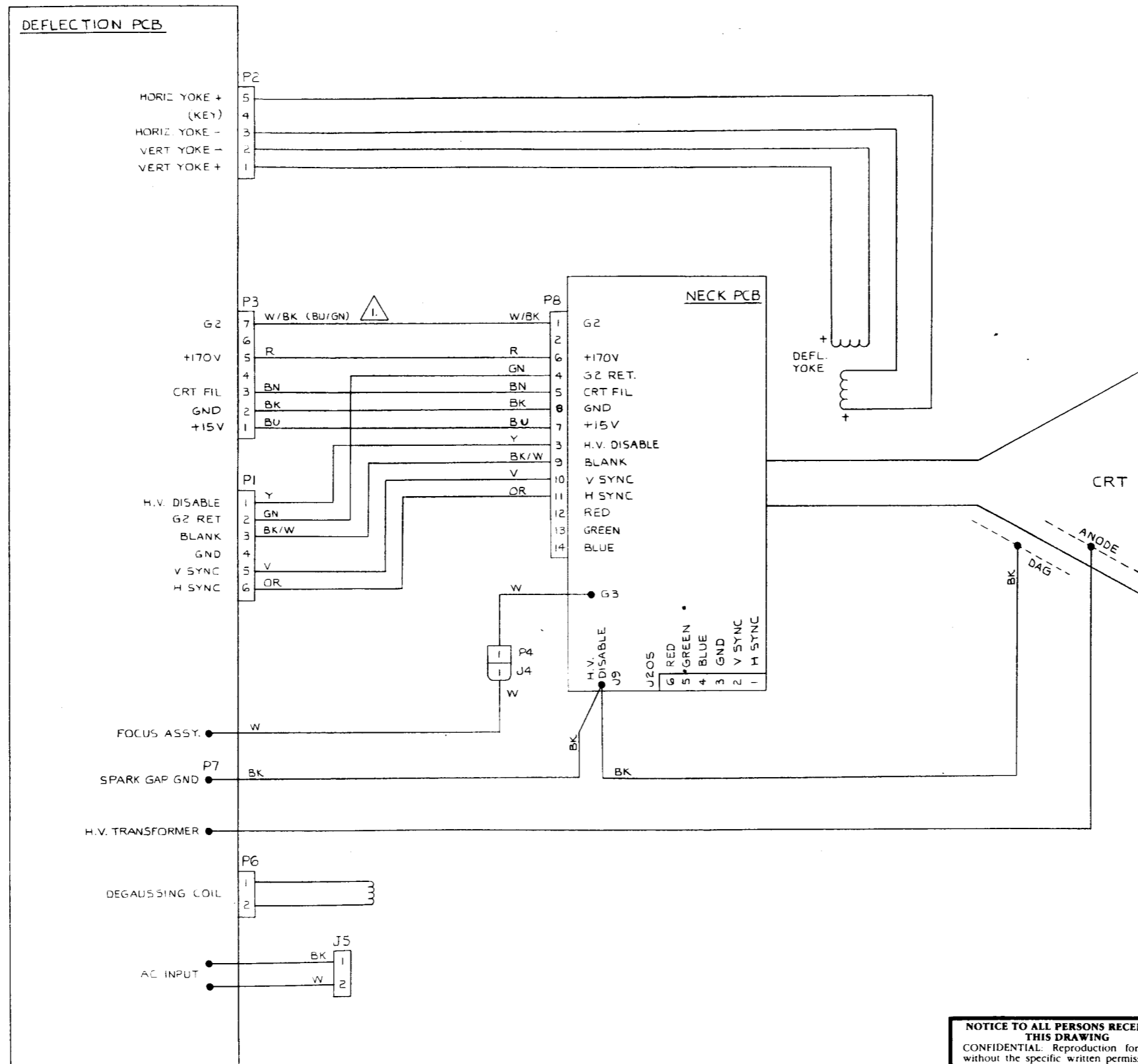
CONFIDENTIAL: Reproduction forbidden without the specific written permission of Atari, Inc., Sunnyvale, CA. This drawing is only conditionally issued, and neither receipt nor possession thereof confers or transfers any right in, or license to use the subject matter of the drawing or any design or technical information shown thereon, nor any right to reproduce this drawing or any part thereof. Except for manufacture by vendors of Atari, Inc., and for manufacture under the corporation's written license, no right is granted to reproduce this drawing or the subject matter thereof, unless by written agreement with or written permission from the corporation.

**Arabian Game Interfaces**



ATARI INC. 1983

SP-237 Sheet 2B  
1st printing



NOTE:  
<sup>1.</sup> ALTERNATE COLOR IN PARENTHESES ( ).

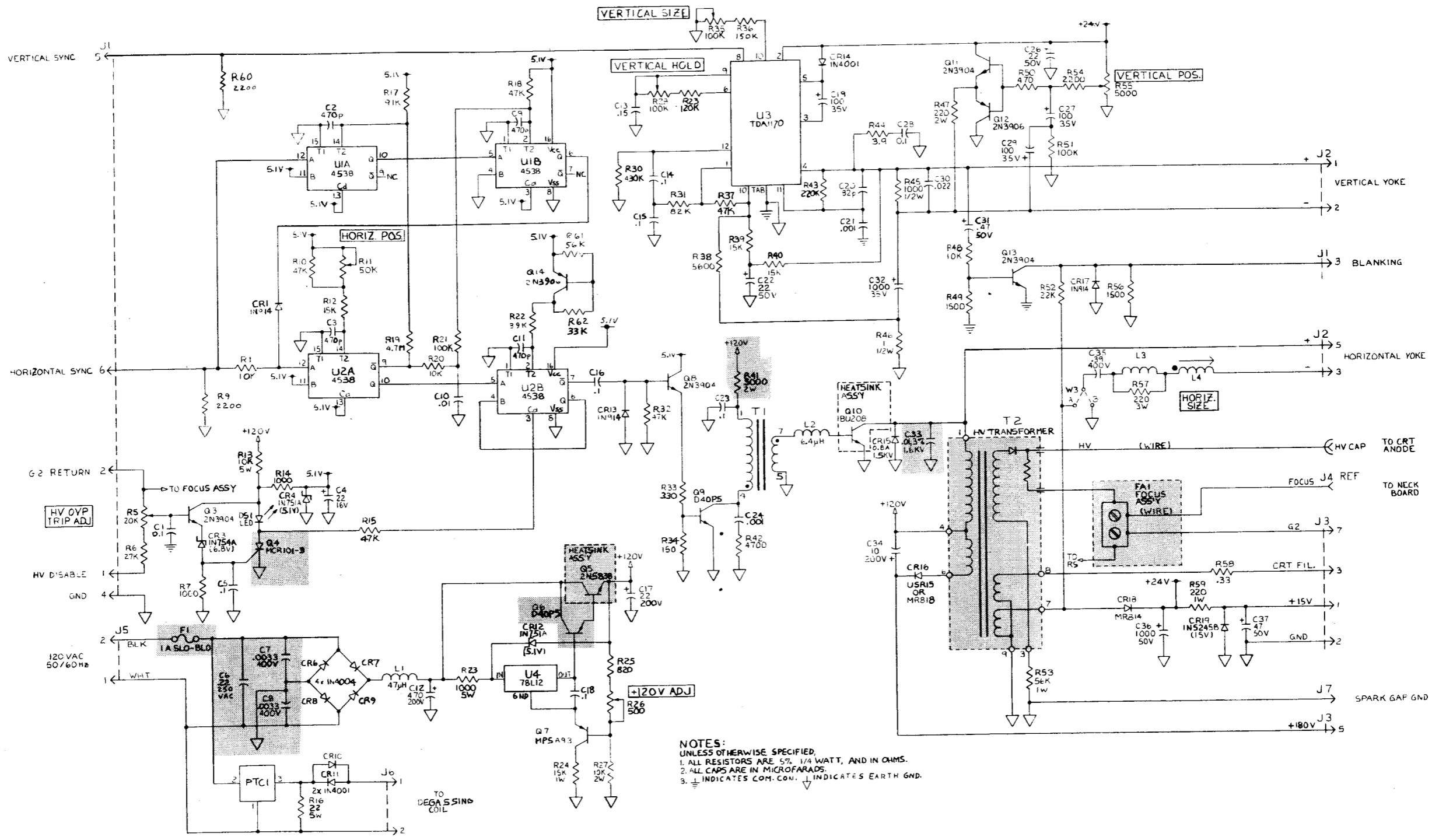
**NOTICE TO ALL PERSONS RECEIVING THIS DRAWING**  
 CONFIDENTIAL. Reproduction forbidden without the specific written permission of Atari, Inc., Sunnyvale, CA. This drawing is only conditionally issued, and neither receipt nor possession thereof confers or transfers any right in, or license to use, the subject matter of the drawing or any design or technical information shown thereon, nor any right to reproduce this drawing or any part thereof. Except for manufacture by vendors of Atari, Inc., and for manufacture under the corporation's written license, no right is granted to reproduce this drawing or the subject matter thereof, unless by written agreement with or written permission from the corporation.

**Atari Color Raster Display Wiring Diagram**



© ATARI INC. 1983

SP-237 Sheet 3A  
 1st printing



NOTES:  
 UNLESS OTHERWISE SPECIFIED,  
 1. ALL RESISTORS ARE 5% 1/4 WATT, AND IN OHMS.  
 2. ALL CAPS ARE IN MICROFARADS.  
 3. ⊕ INDICATES COM. CON. ⊥ INDICATES EARTH GND.

**PRODUCT SAFETY NOTICE**

The shaded areas of this schematic indicate components whose values are of special significance to product safety. Should any component in the shaded areas need to be replaced, use only the value given in the parts lists. Do not deviate from the resistance, wattage, and voltage values shown.

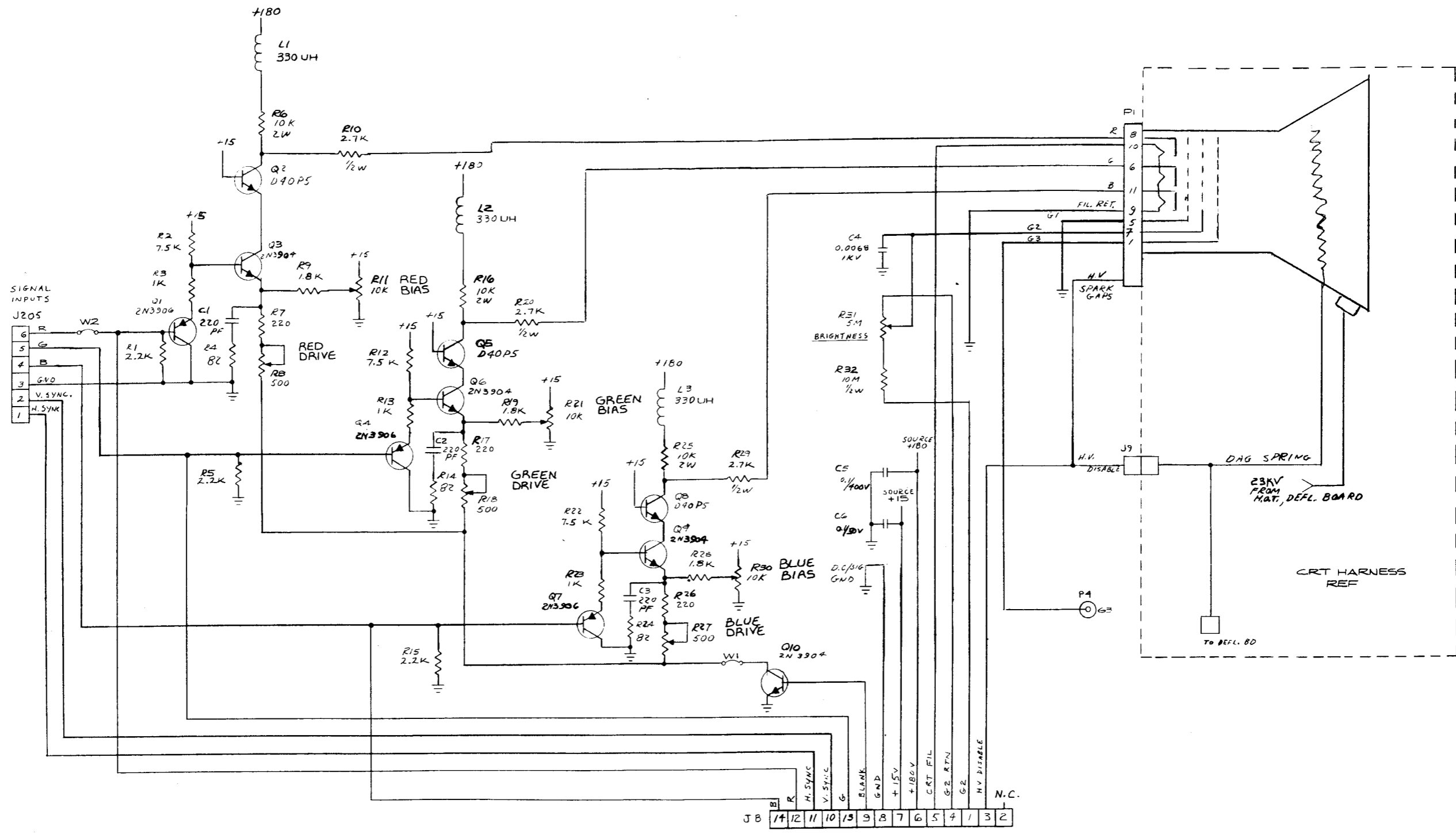
**NOTICE TO ALL PERSONS RECEIVING THIS DRAWING**  
 CONFIDENTIAL: Reproduction forbidden without the specific written permission of Atari, Inc., Sunnyvale, CA. This drawing is only conditionally issued, and neither receipt nor possession thereof confers or transfers any right in, or license to use, the subject matter of the drawing or any design or technical information shown thereon nor any right to reproduce this drawing or any part thereof. Except for manufacture by vendors of Atari, Inc., and for manufacture under the corporation's written license, no right is granted to reproduce this drawing or the subject matter thereof, unless by written agreement with or written permission from the corporation.

**Atari Color Raster Display Deflection PCB Schematic Diagram**



ATARI INC. 1983

SP-237 Sheet 3B  
 1st printing



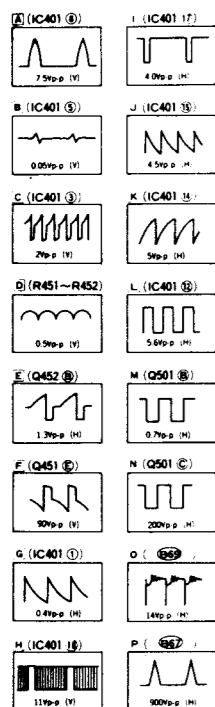
**NOTICE TO ALL PERSONS RECEIVING THIS DRAWING**  
 CONFIDENTIAL: Reproduction forbidden without the specific written permission of Atari, Inc., Sunnyvale, CA. This drawing is only conditionally issued, and neither receipt nor possession thereof confers or transfers any right in, or license to use the subject matter of the drawing or any design or technical information shown thereon, nor any right to reproduce this drawing or any part thereof. Except for manufacture by vendors of Atari, Inc. and for manufacture under the corporation's written license, no right is granted to reproduce this drawing or the subject matter thereof, unless by written agreement with or written permission from the corporation.

**Atari Color Raster Display Neck PCB Schematic Diagram**

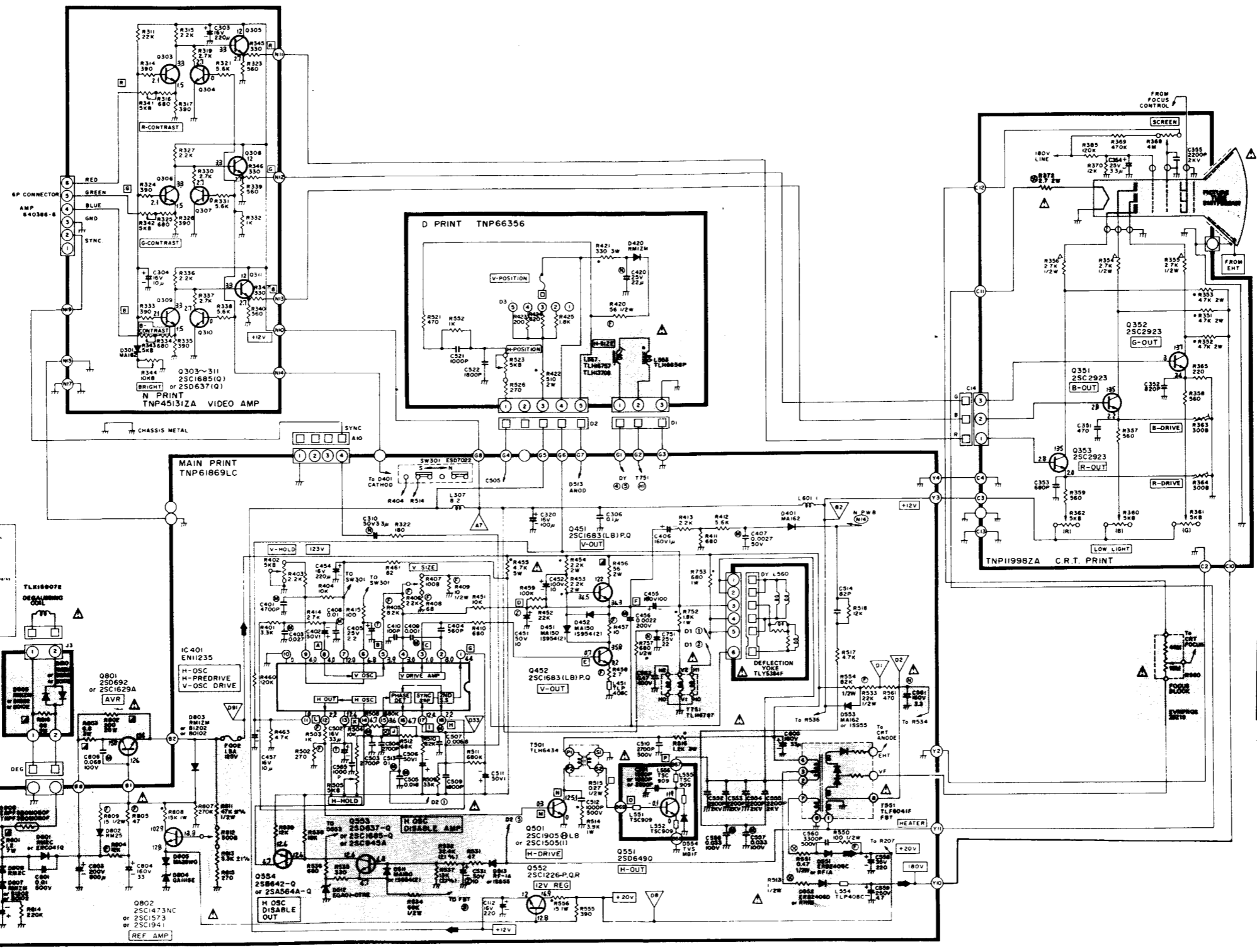
**ATARI**  
A Warner Communications Company

ATARI INC. 1983  
 SP-237 Sheet 4A  
 1st printing

**Waveform**



**NOTE**  
 1. RESISTOR  
 All resistors are carbon 1/8W unless otherwise noted. The following marks:  
 Unit of resistance is OHM (Ω), K = 1,000, M = 1,000,000.  
 □ Solid □ Wire Wound □ Metal Glaze □ Thermistor  
 ○ Solder ⊕ Non-Flammable ⊕ Capacitor  
 2. CAPACITOR  
 All capacitors are ceramic 50V dielectric unless otherwise noted. The following marks:  
 Unit of capacitance is µF unless otherwise noted.  
 □ Electronic □ Safety Vent □ Polyester □ Polystyrene  
 □ Paper □ Titanium Oxide □ Polypropylene □ Mica  
 □ Z-Value □ Temp. Compensation □ Mica Foil  
 3. COIL  
 Level of inductance in µH.  
 4. TEST POINT  
 T Test point position.



**WARNING**  
 Components identified by shading have special characteristics important to safety and must be replaced only with identical parts.

**NOTICE TO ALL PERSONS RECEIVING THIS DRAWING**  
 CONFIDENTIAL. Reproduction forbidden without the specific written permission of Atari, Inc., Sunnyvale, CA. This drawing is only conditionally issued, and neither receipt nor possession thereof confers or transfers any right in, or license to use, the subject matter of the drawing or any design or technical information shown thereon, nor any right to reproduce this drawing or any part thereof. Except for manufacture by vendors of Atari, Inc., and for manufacture under the corporation's written license, no right is granted to reproduce this drawing or the subject matter thereof, unless by written agreement with or written permission from the corporation.

**Matsushita Color Raster Display Schematic Diagram**

© ATARI INC. 1983

SP-237 Sheet 4B  
1st printing



## Arabic Memory Map

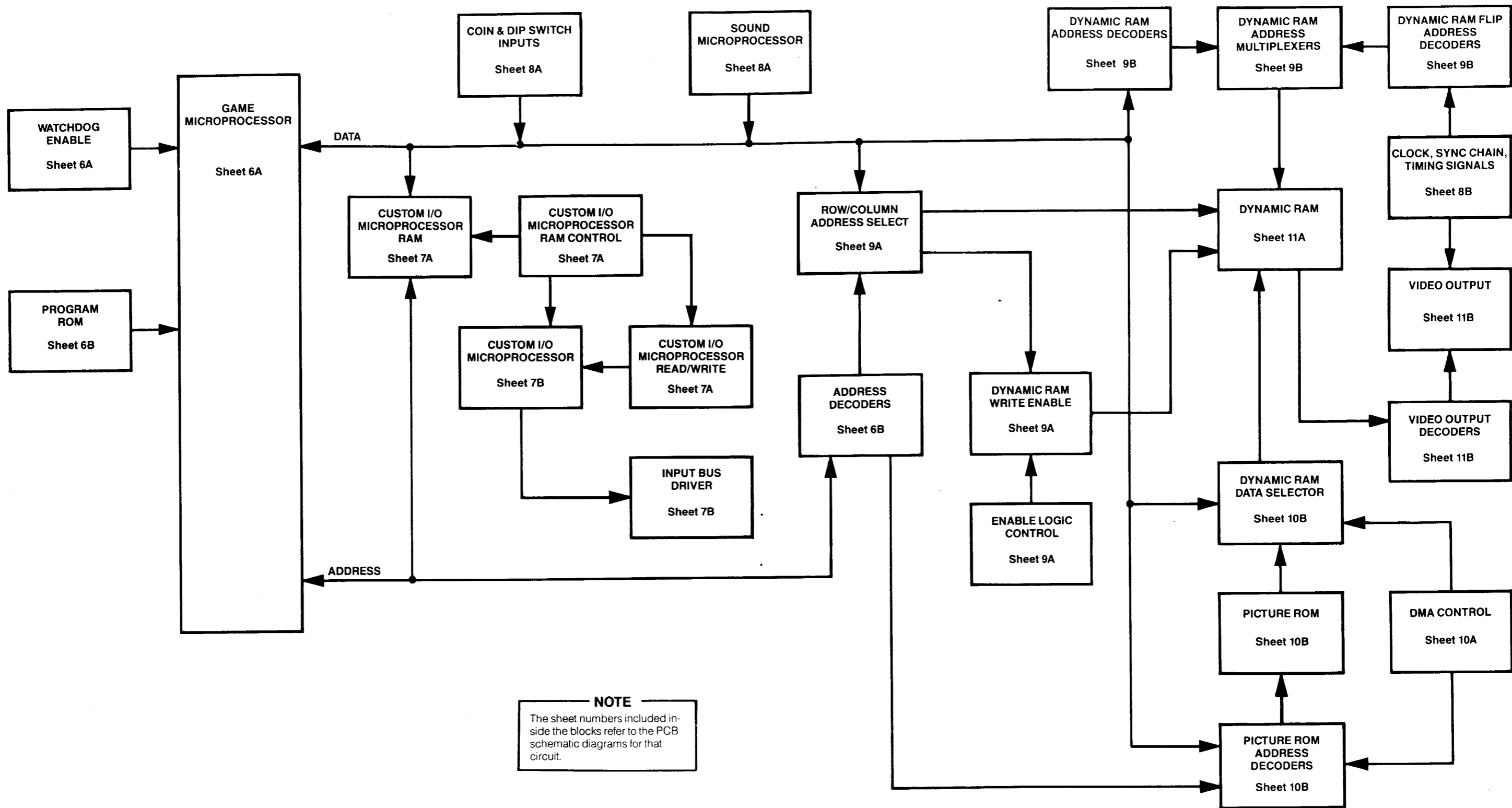
HEXA- DECIMAL ADDRESS	ADDRESS BUS SIGNAL LINES															READ/ WRITE	DATA BUS SIGNAL LINES								FUNCTION			
	A15	A14	A13	A12	A11	A10	A9	A8	A7	A6	A5	A4	A3	A2	A1		A0	D7	D6	D5	D4	D3	D2	D1		D0		
E006	1	1	1	0	A	A	A	A	A	A	A	A	A	1	1	0	W	D	D	D	D	D	D	D	D	$\overline{XY}$ (H)	Picture Size and DMA Start	
E005	1	1	1	0	A	A	A	A	A	A	A	A	A	1	0	1	W	D	D	D	D	D	D	D	D	$\overline{XY}$ (L)		
E004	1	1	1	0	A	A	A	A	A	A	A	A	A	1	0	0	W	D	D	D	D	D	D	D	D	$\overline{WR}$ (H)	DMA RAM Start Address	
E003	1	1	1	0	A	A	A	A	A	A	A	A	A	0	1	1	W	D	D	D	D	D	D	D	D	$\overline{WR}$ (L)		
E002	1	1	1	0	A	A	A	A	A	A	A	A	A	0	1	0	W	D	D	D	D	D	D	D	D	$\overline{RD}$ (H)	DMA ROM Start Address	
E001	1	1	1	0	A	A	A	A	A	A	A	A	A	0	0	1	W	D	D	D	D	D	D	D	D	$\overline{RD}$ (L)		
E000	1	1	1	0	A	A	A	A	A	A	A	A	A	0	0	0	W					D	D	D	D	BSEL Bank Select		
DFFF-D000	1	1	0	1	A	A	A	A	A	A	A	A	A	A	A	A	R/W	D	D	D	D	D	D	D	D	Custom Microprocessor RAM		
CA00	1	1	0	0	1	0	1	0	A	A	A	A	A	A	A	A	R/W	D	D	D	D	D	D	D	D	Sound Chip Data		
C800	1	1	0	0	1	0	0	0	A	A	A	A	A	A	A	A	W	D	D	D	D	D	D	D	D	Sound Chip Address		
C200	1	1	0	0	0	0	1	0	A	A	A	A	A	A	A	A	R					D	D	D	D	Option Switches		
C000	1	1	0	0	0	0	0	0	A	A	A	A	A	A	A	A	R					D	D	D	D	Coin Inputs		
BFFF-8000	1	0	1	1	A	A	A	A	A	A	A	A	A	A	A	A	R/W	D	D	D	D	D	D	D	D	Bit Map RAM		
6000-7FFF	0	1	1	A	A	A	A	A	A	A	A	A	A	A	A	A	R	D	D	D	D	D	D	D	D	$\overline{ROM}$ 3	Program ROM (Z-80)	
4000-5FFF	0	1	0	A	A	A	A	A	A	A	A	A	A	A	A	A	R	D	D	D	D	D	D	D	D	$\overline{ROM}$ 2		
2000-3FFF	0	0	1	A	A	A	A	A	A	A	A	A	A	A	A	A	R	D	D	D	D	D	D	D	D	$\overline{ROM}$ 1		
0000-1FFF	0	0	0	A	A	A	A	A	A	A	A	A	A	A	A	A	R	D	D	D	D	D	D	D	D	$\overline{ROM}$ 0		

**NOTICE TO ALL PERSONS RECEIVING THIS DRAWING**  
 CONFIDENTIAL: Reproduction forbidden without the specific written permission of Atari, Inc., Sunnyvale, CA. This drawing is only conditionally issued, and neither receipt nor possession thereof confers or transfers any right in, or license to use, the subject matter of the drawing or any design or technical information shown thereon, nor any right to reproduce this drawing or any part thereof. Except for manufacture by vendors of Atari, Inc., and for manufacture under the corporation's written license, no right is granted to reproduce this drawing or the subject matter thereof, unless by written agreement with or written permission from the corporation.

### Arabic Memory Map

ATARI INC. 1985


SP-237 Sheet 5A  
1st printing



**NOTE**  
The sheet numbers included inside the blocks refer to the PCB schematic diagrams for that circuit.

**NOTICE TO ALL PERSONS RECEIVING THIS DRAWING**  
CONFIDENTIAL - Reproduction forbidden without the specific written permission of Atari, Inc., Sunnyvale, CA. This drawing is only conditionally issued, and neither receipt nor possession thereof confers or transfers any right in or interest in the subject matter of the drawing or any design or technical information shown thereon, and any right to reproduce this drawing or any part thereof, except for the manufacture of parts of Atari, Inc., and its manufacturers under the supervision of a written contract, is hereby denied. This drawing is the property of Atari, Inc. and its manufacturers and is to be used only for the purposes specified in the contract. It is to be returned to Atari, Inc. upon completion of the contract.

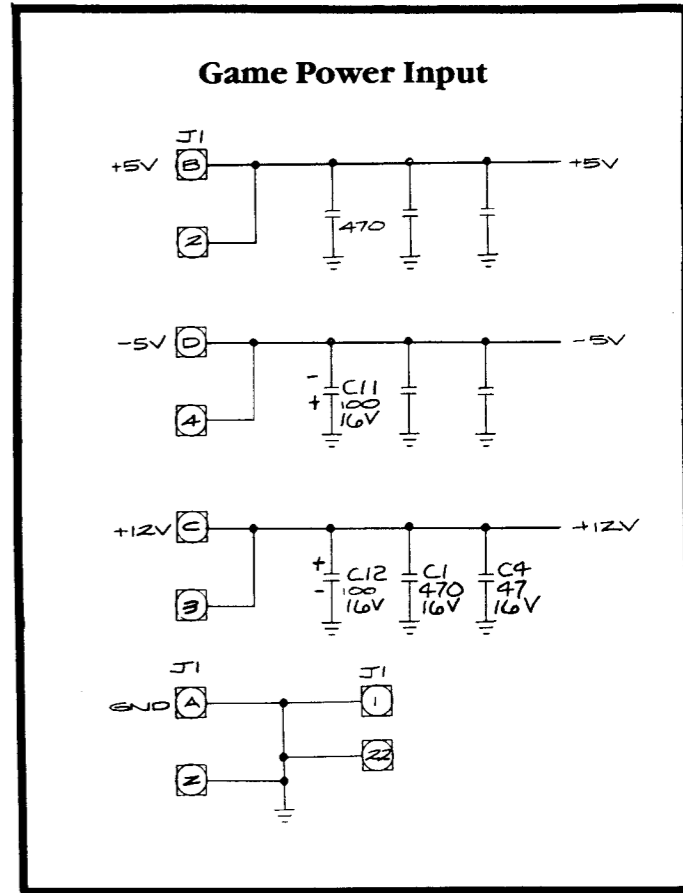
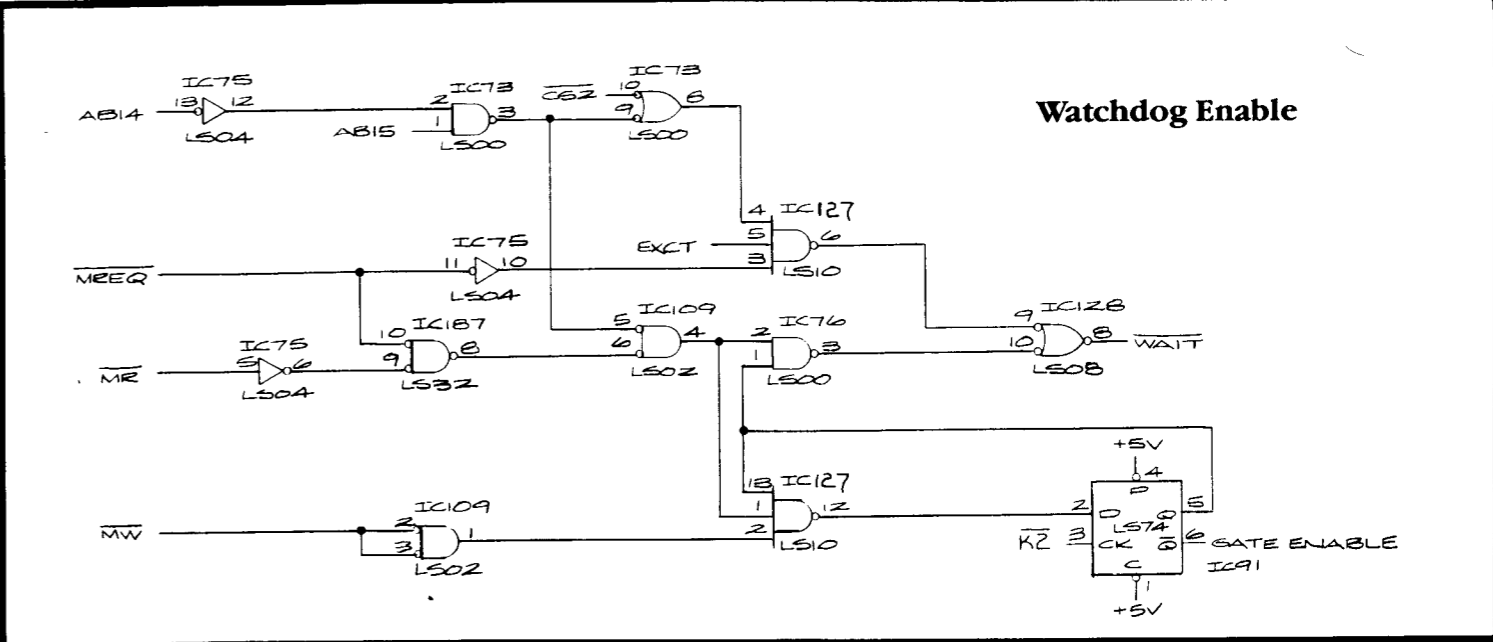
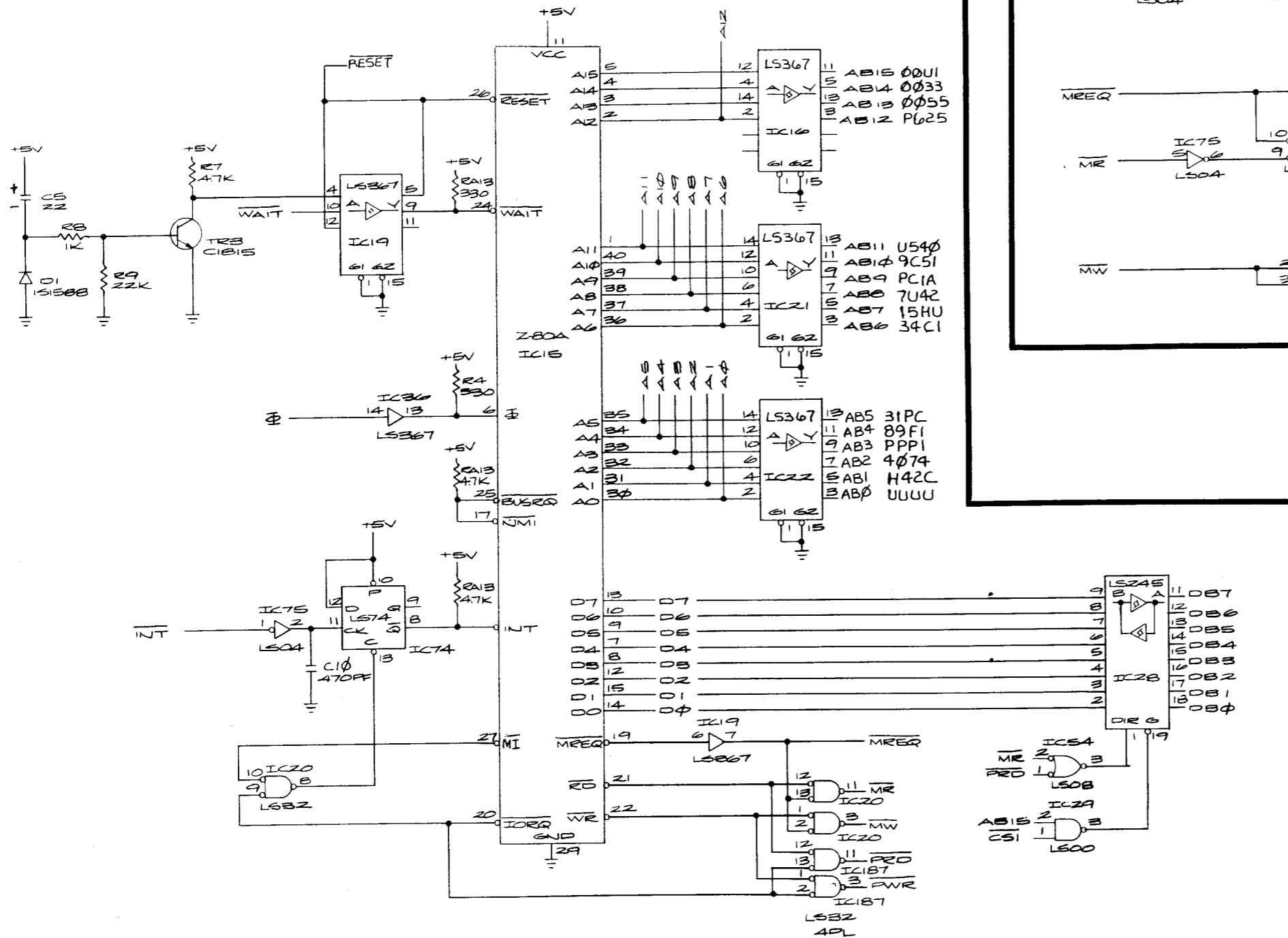
**Arabian Block Diagram/Guide to PCB Schematics**

  
**ATARI**<sup>®</sup>

ATARI, INC. 1984

SP-237 Sheet 5B  
1st printing

### Game Microprocessor



- NOTES:
- DENOTES J1 CONNECTOR
  - DENOTES J2 CONNECTOR

**NOTICE TO ALL PERSONS RECEIVING THIS DRAWING**  
 CONFIDENTIAL. Reproduction forbidden without the specific written permission of Atari, Inc., Sunnyvale, CA. This drawing is only conditionally issued, and neither receipt nor possession thereof confers or transfers any right in, or license to use, the subject matter of the drawing or any design or technical information shown thereon, nor any right to reproduce this drawing or any part thereof. Except for manufacture by vendors of Atari, Inc., and for manufacture under the corporation's written license, no right is granted to reproduce this drawing or the subject matter thereof, unless by written agreement with or written permission from the corporation.

**Arabian PCB Schematic Diagram**

ATARI®

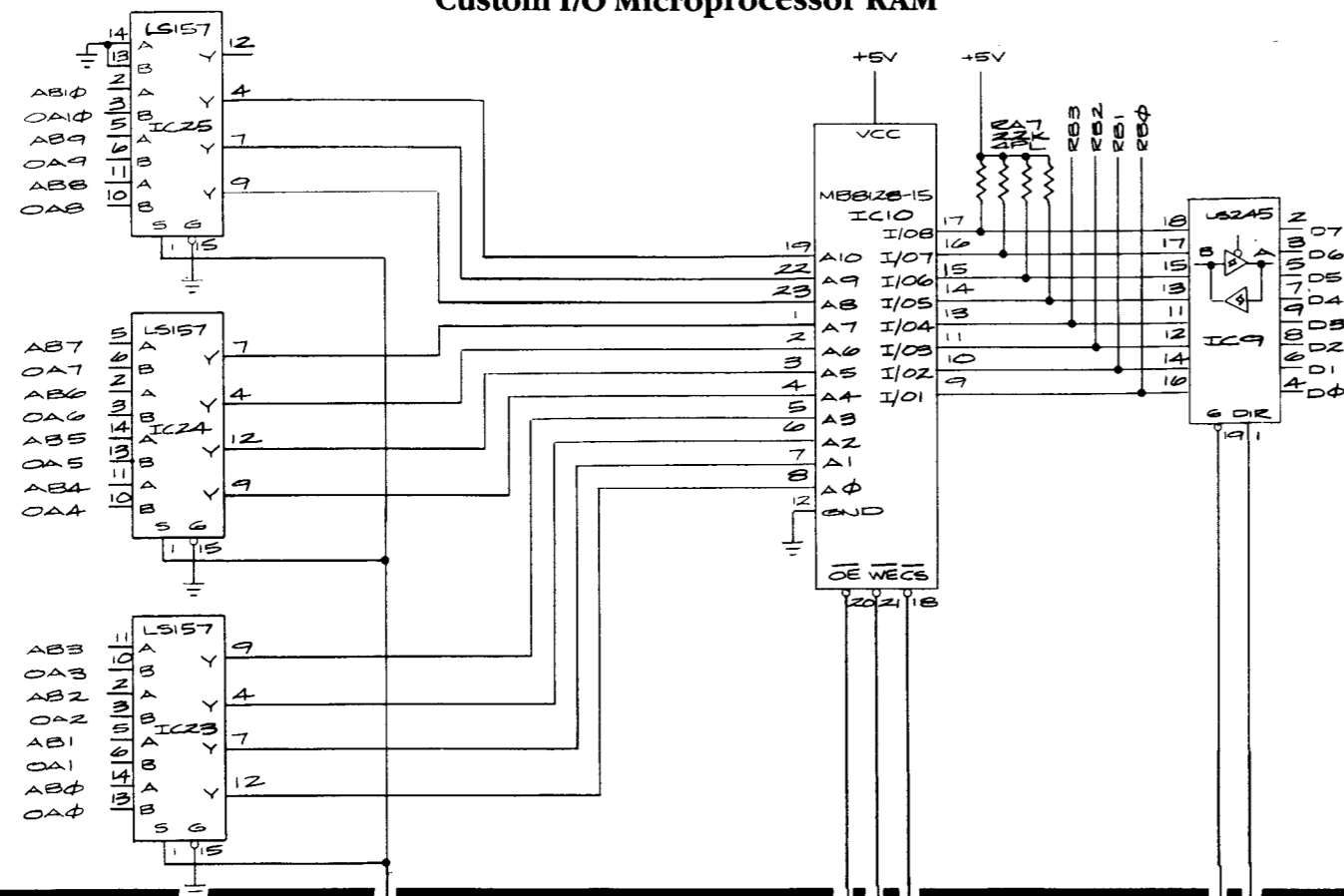
© ATARI INC. 1983

SP-237 Sheet 6A  
1st printing

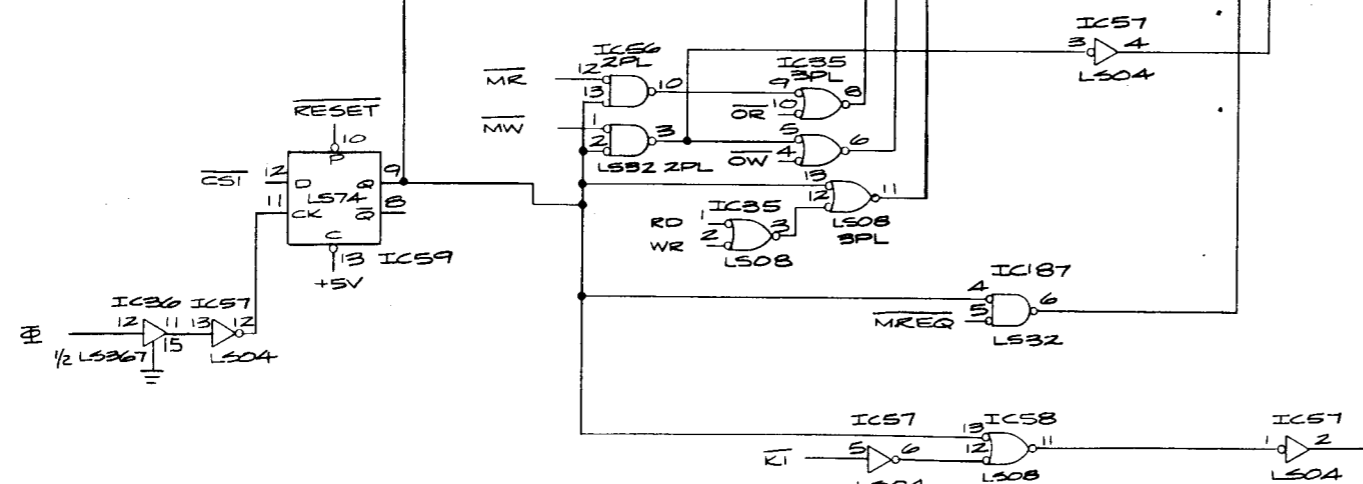
A Warner Communications Company



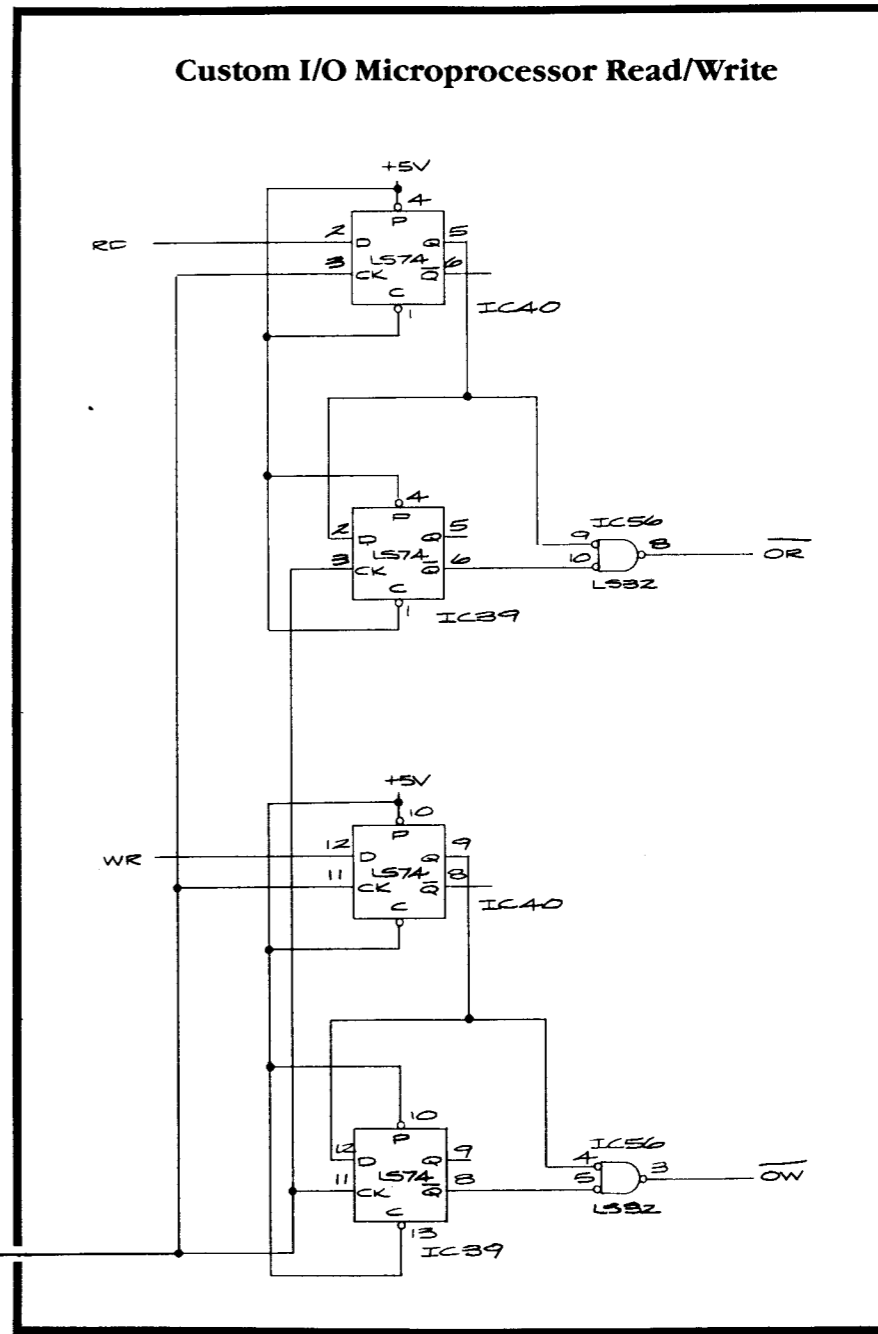
Custom I/O Microprocessor RAM



Custom I/O Microprocessor RAM Control



Custom I/O Microprocessor Read/Write



NOTICE TO ALL PERSONS RECEIVING THIS DRAWING

CONFIDENTIAL: Reproduction forbidden without the specific written permission of Atari, Inc., Sunnyvale, CA. This drawing is only conditionally issued, and neither receipt nor possession thereof confers or transfers any right in, or license to use, the subject matter of the drawing or any design or technical information shown thereon, nor any right to reproduce this drawing or any part thereof. Except for manufacture by vendors of Atari, Inc., and for manufacture under the corporation's written license, no right is granted to reproduce this drawing or the subject matter thereof, unless by written agreement with or written permission from the corporation.

Arabian PCB Schematic Diagram

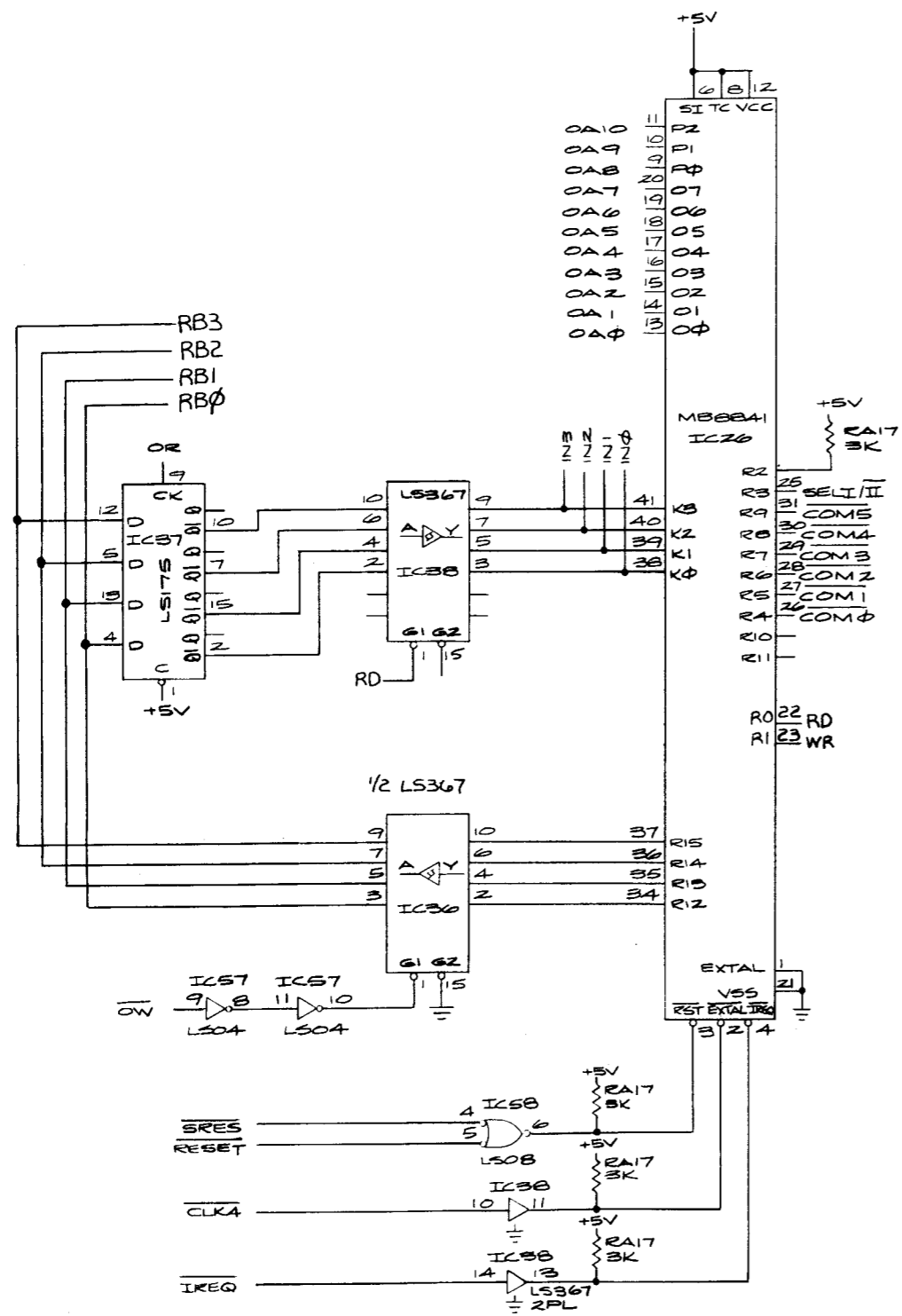


© ATARI INC. 1983

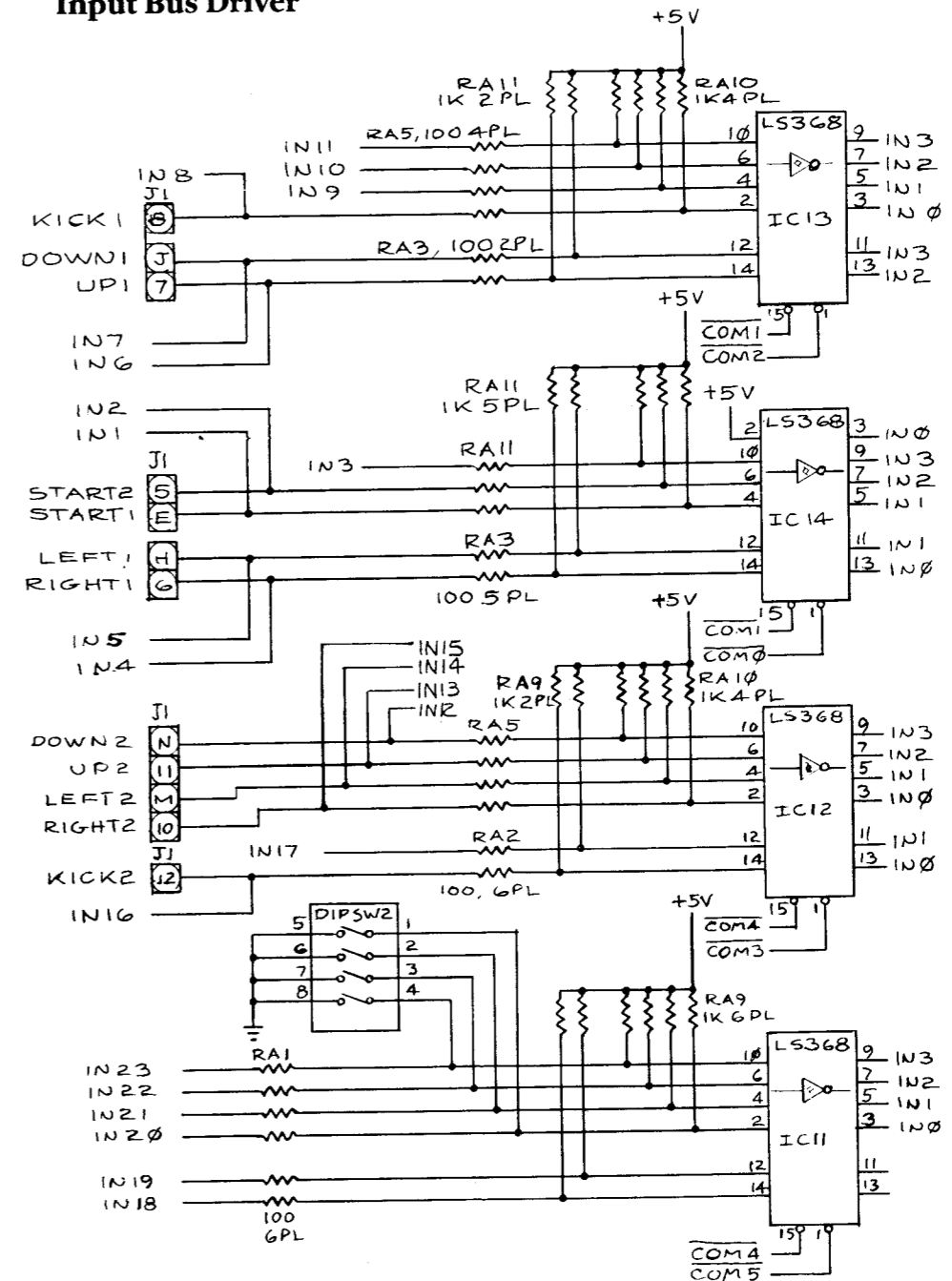
SP-237 Sheet 7A  
1st printing

A Warner Communications Company

### Custom I/O Microprocessor



### Input Bus Driver



**NOTICE TO ALL PERSONS RECEIVING THIS DRAWING**  
 CONFIDENTIAL: Reproduction forbidden without the specific written permission of Atari, Inc., Sunnyvale, CA. This drawing is only conditionally issued, and neither receipt nor possession thereof confers or transfers any right in, or license to use, the subject matter of the drawing or any design or technical information shown thereon, nor any right to reproduce this drawing or any part thereof. Except for manufacture by vendors of Atari, Inc., and for manufacture under the corporation's written license, no right is granted to reproduce this drawing or the subject matter thereof, unless by written agreement with or written permission from the corporation.

### Arabian PCB Schematic Diagram

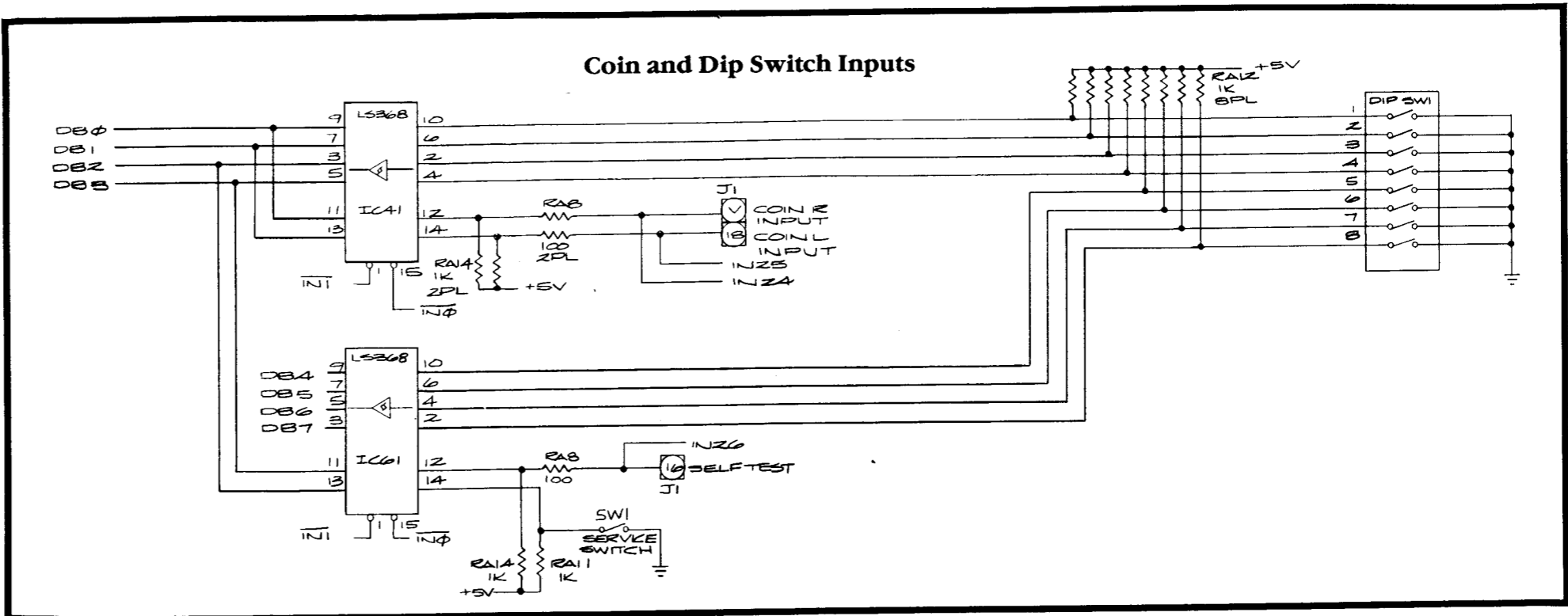


© ATARI INC. 1983

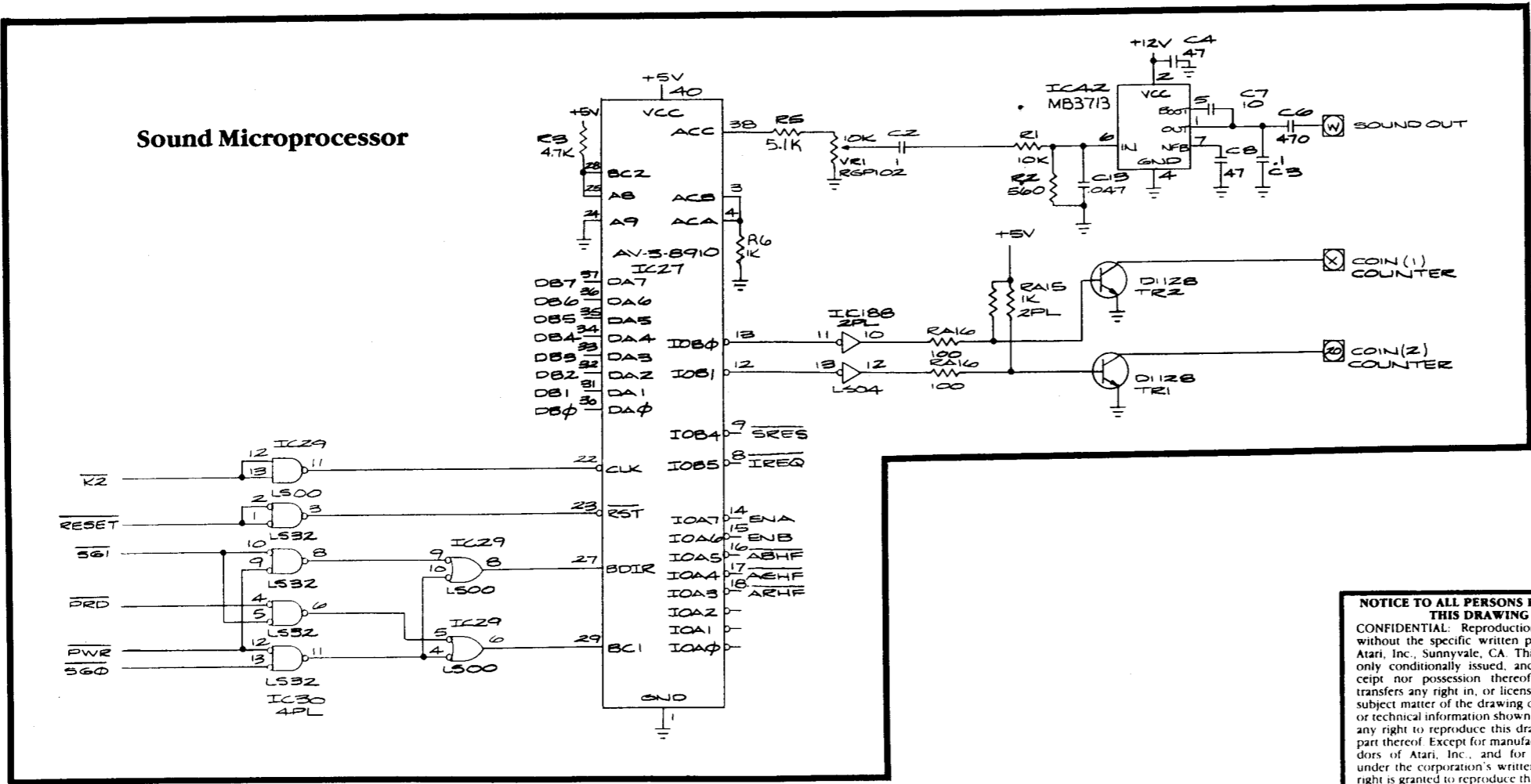
SP-237 Sheet 7B  
 1st printing

A Warner Communications Company

### Coin and Dip Switch Inputs




### Sound Microprocessor



**NOTICE TO ALL PERSONS RECEIVING THIS DRAWING**  
 CONFIDENTIAL: Reproduction forbidden without the specific written permission of Atari, Inc., Sunnyvale, CA. This drawing is only conditionally issued, and neither receipt nor possession thereof confers or transfers any right in, or license to use, the subject matter of the drawing or any design or technical information shown thereon, nor any right to reproduce this drawing or any part thereof. Except for manufacture by vendors of Atari, Inc., and for manufacture under the corporation's written license, no right is granted to reproduce this drawing or the subject matter thereof, unless by written agreement with or written permission from the corporation.

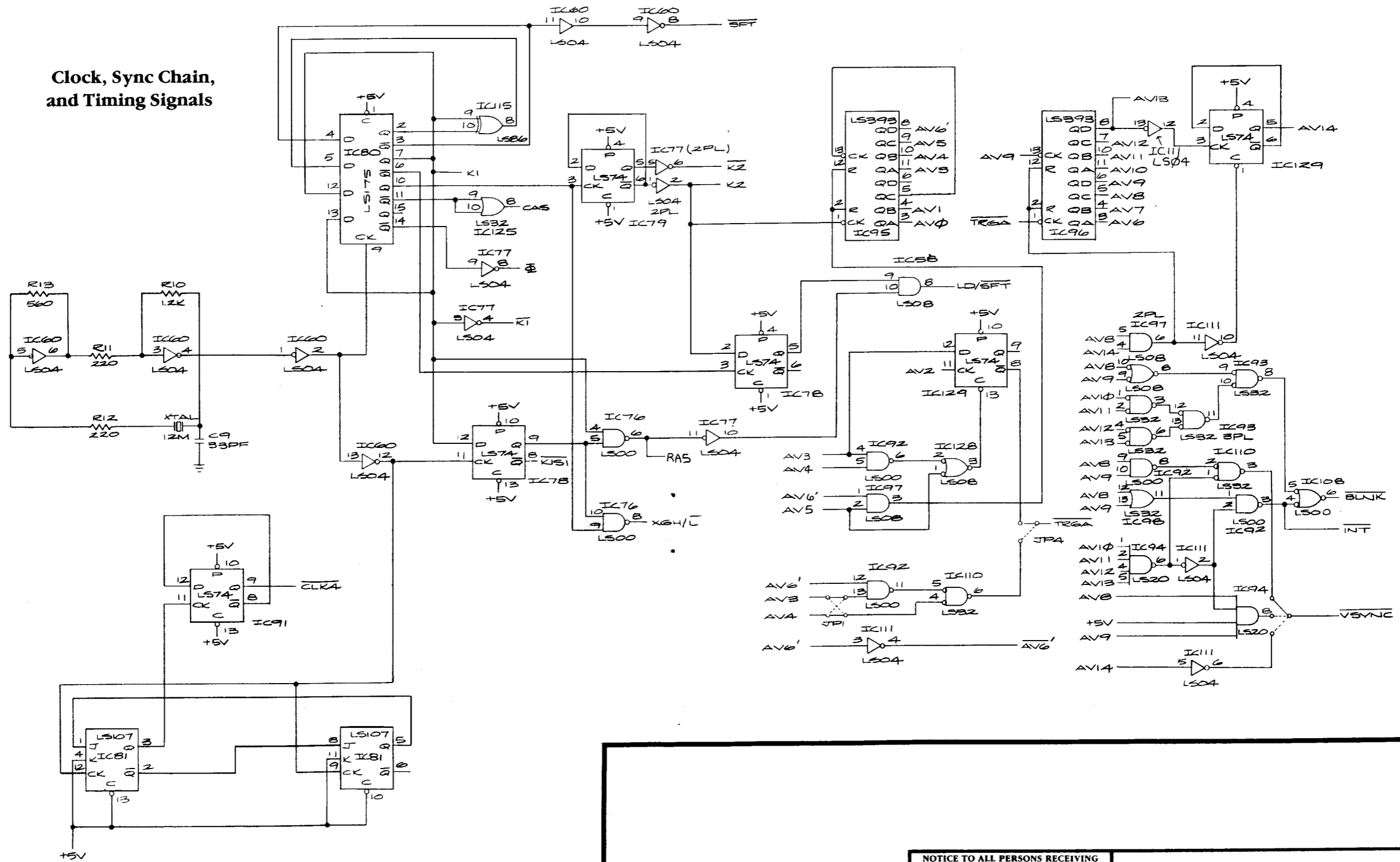
**Arabian PCB Schematic Diagram**



© ATARI INC. 1983

SP-237 Sheet 8A  
1st printing

**Clock, Sync Chain,  
and Timing Signals**



**NOTICE TO ALL PERSONS RECEIVING THIS DRAWING**  
 CONFIDENTIAL: Reproduction forbidden without the specific written permission of Atari, Inc., Sunnyvale, CA. This drawing is only conditionally issued, and neither receipt nor possession thereof confers or transfers any right in, or license to use, the subject matter of the drawing or any design or technical information shown thereon, nor any right to reproduce this drawing or any part thereof. Except for manufacture by vendors of Atari, Inc., and for manufacture under the corporation's written license, no right is granted to reproduce this drawing or the subject matter thereof, unless by written agreement with or written permission from the corporation.

**Arabic PCB Schematic Diagram**

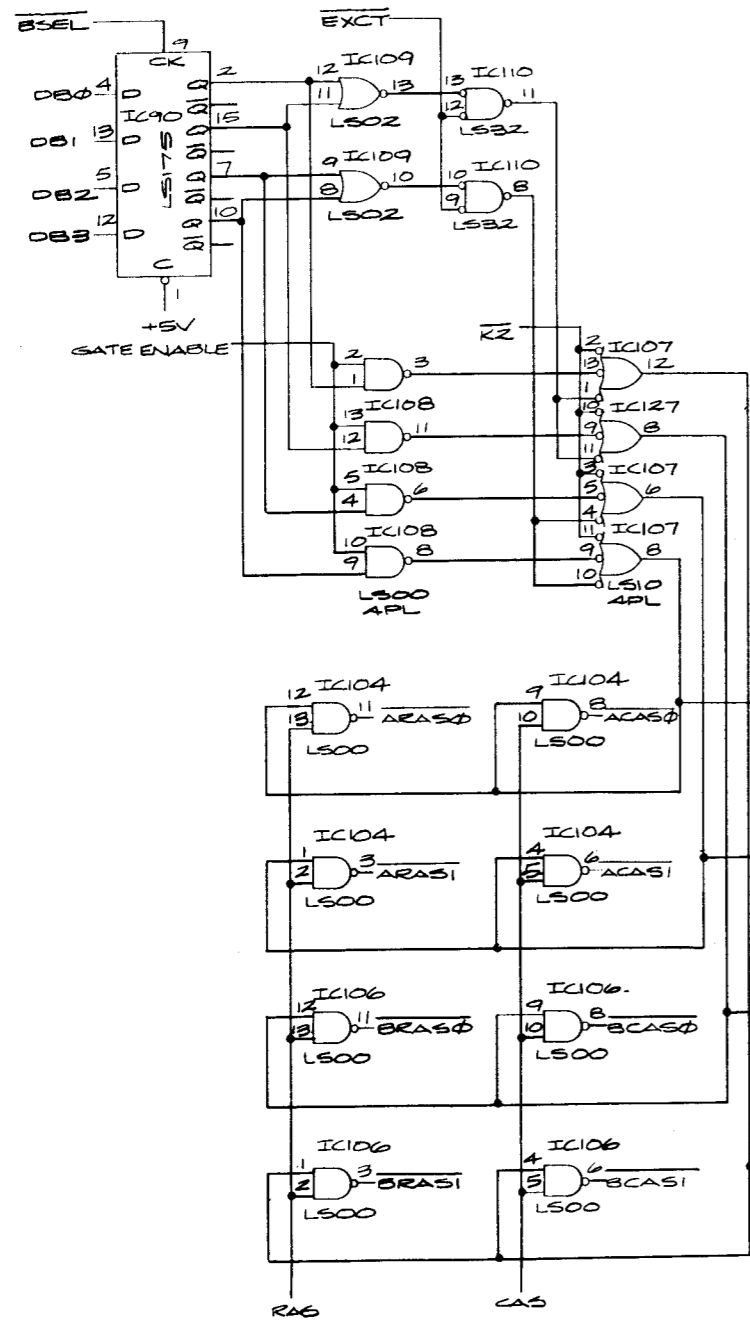


© ATARI INC. 1983

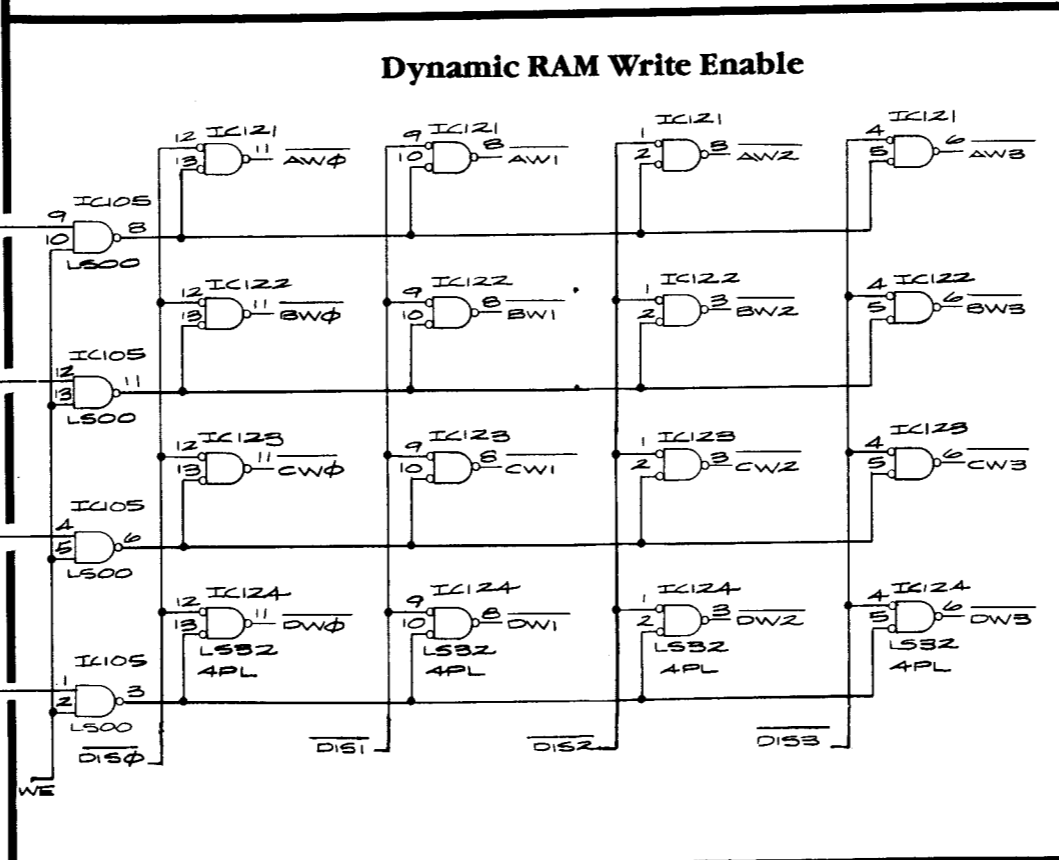
SP-237 Sheet 8B  
 1st printing



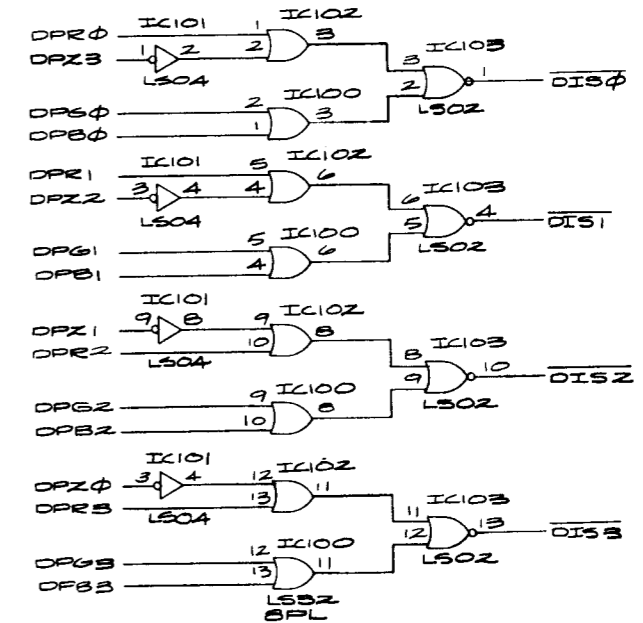
### Row/Column Address Select



### Dynamic RAM Write Enable



### Enable Logic Control



#### NOTICE TO ALL PERSONS RECEIVING THIS DRAWING

CONFIDENTIAL: Reproduction forbidden without the specific written permission of Atari, Inc., Sunnyvale, CA. This drawing is only conditionally issued, and neither receipt nor possession thereof confers or transfers any right in, or license to use, the subject matter of the drawing or any design or technical information shown thereon, nor any right to reproduce this drawing or any part thereof. Except for manufacture by vendors of Atari, Inc., and for manufacture under the corporation's written license, no right is granted to reproduce this drawing or the subject matter thereof, unless by written agreement with or written permission from the corporation.

#### Arabian PCB Schematic Diagram

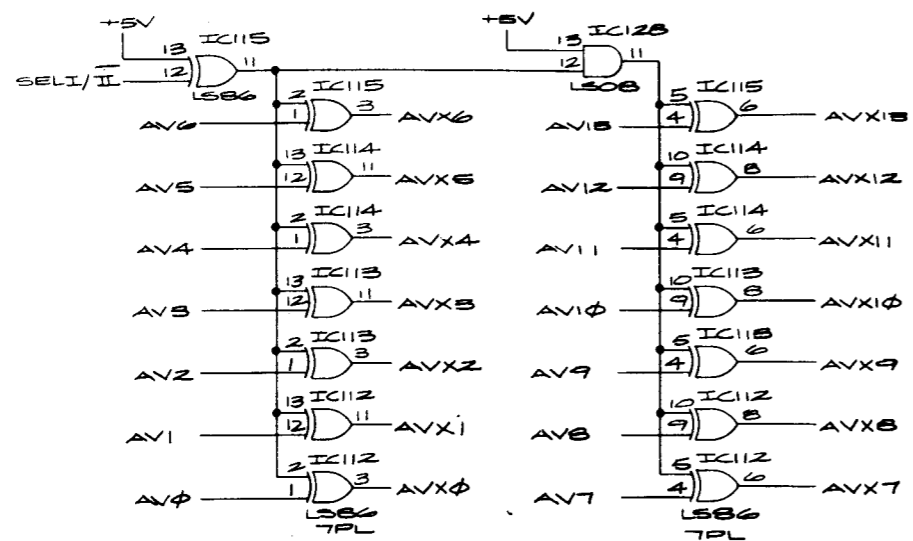


© ATARI INC. 1983

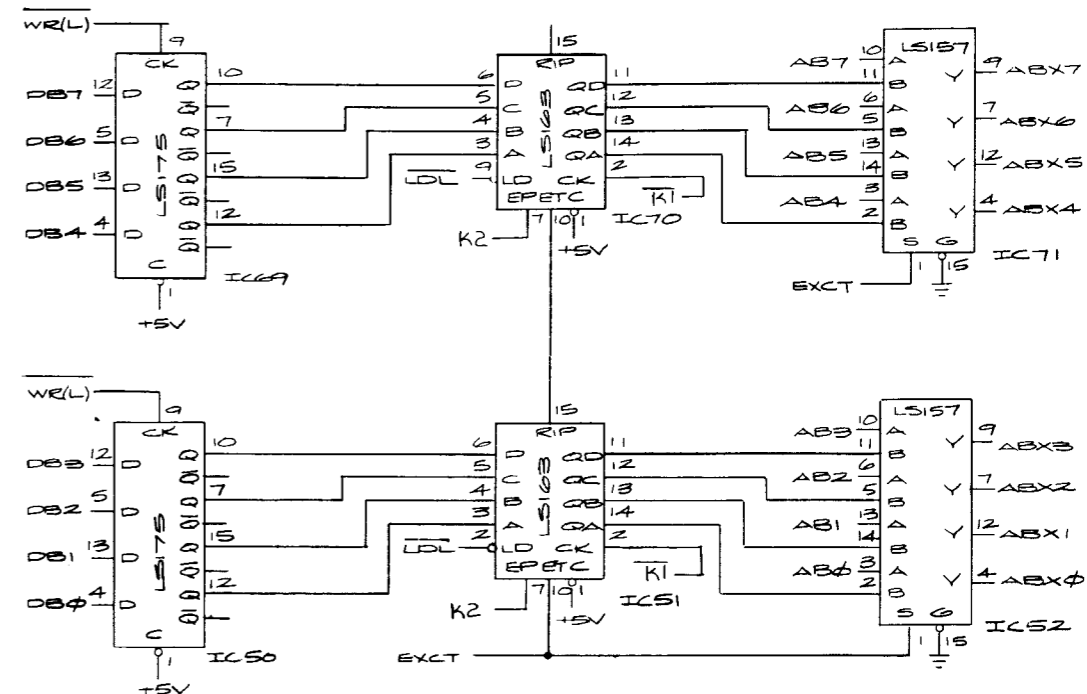
SP-237 Sheet 9A  
1st printing

A Warner Communications Company

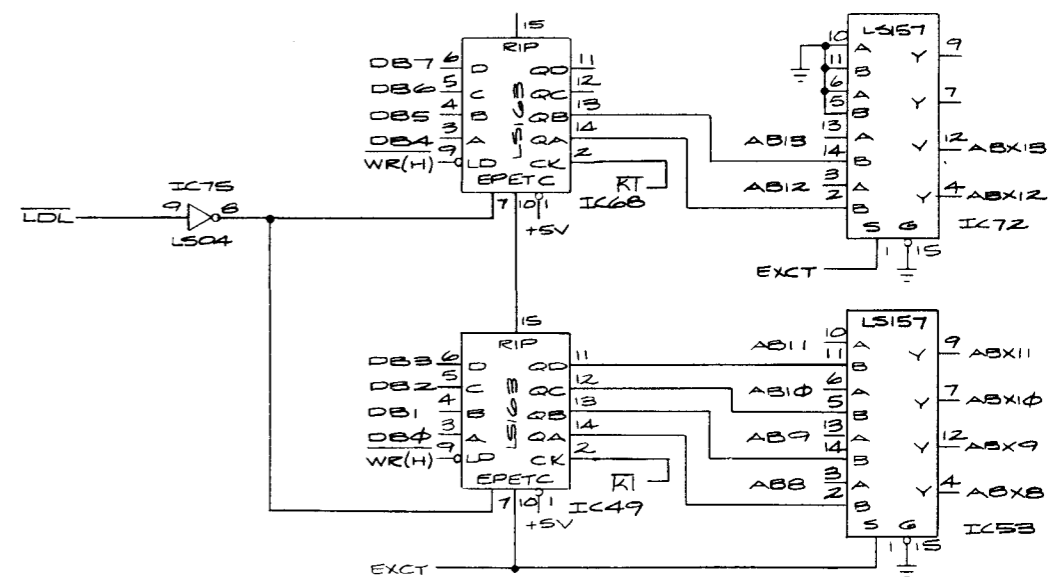
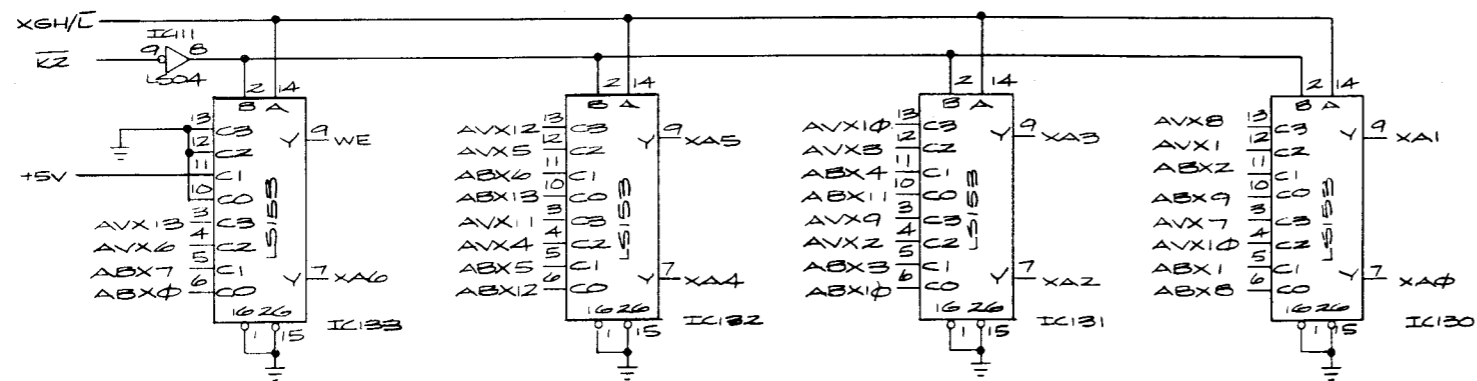
### Dynamic RAM Flip Address Decoders



### Dynamic RAM Address Decoders



### Dynamic RAM Address Multiplexers



**NOTICE TO ALL PERSONS RECEIVING THIS DRAWING**  
 CONFIDENTIAL: Reproduction forbidden without the specific written permission of Atari, Inc., Sunnyvale, CA. This drawing is only conditionally issued, and neither receipt nor possession thereof confers or transfers any right in, or license to use, the subject matter of the drawing or any design or technical information shown thereon, nor any right to reproduce this drawing or any part thereof. Except for manufacture by vendors of Atari, Inc., and for manufacture under the corporation's written license, no right is granted to reproduce this drawing or the subject matter thereof unless by written agreement with or written permission from the corporation.

### Arabian PCB Schematic Diagram

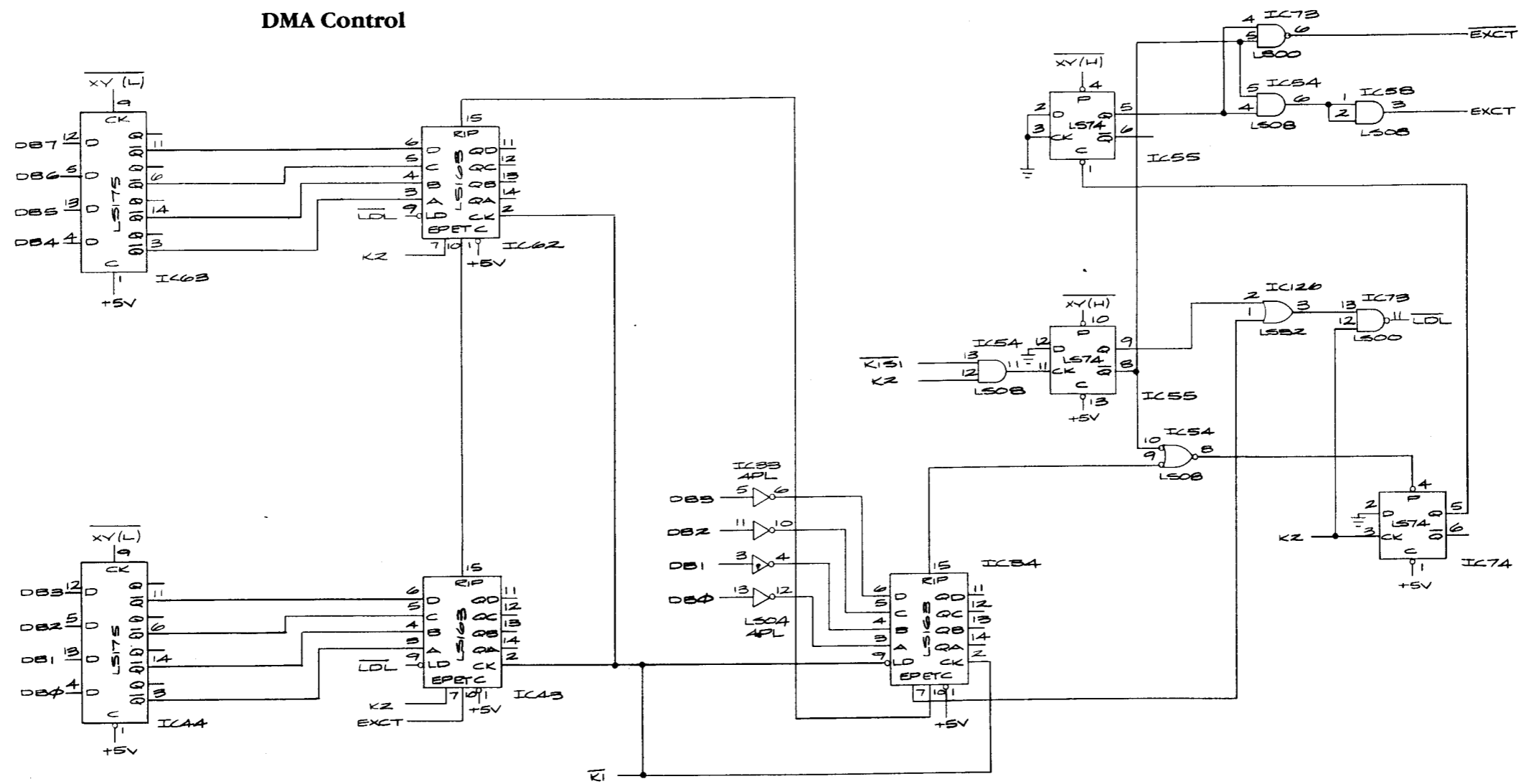


Warner Communications Company

ATARI INC. 1983

SP-237 Sheet 9B  
 1st printing

### DMA Control



**NOTICE TO ALL PERSONS RECEIVING THIS DRAWING**  
 CONFIDENTIAL: Reproduction forbidden without the specific written permission of Atari, Inc., Sunnyvale, CA. This drawing is only conditionally issued, and neither receipt nor possession thereof confers or transfers any right in, or license to use, the subject matter of the drawing or any design or technical information shown thereon, nor any right to reproduce this drawing or any part thereof. Except for manufacture by vendors of Atari, Inc., and for manufacture under the corporation's written license, no right is granted to reproduce this drawing or the subject matter thereof, unless by written agreement with or written permission from the corporation.

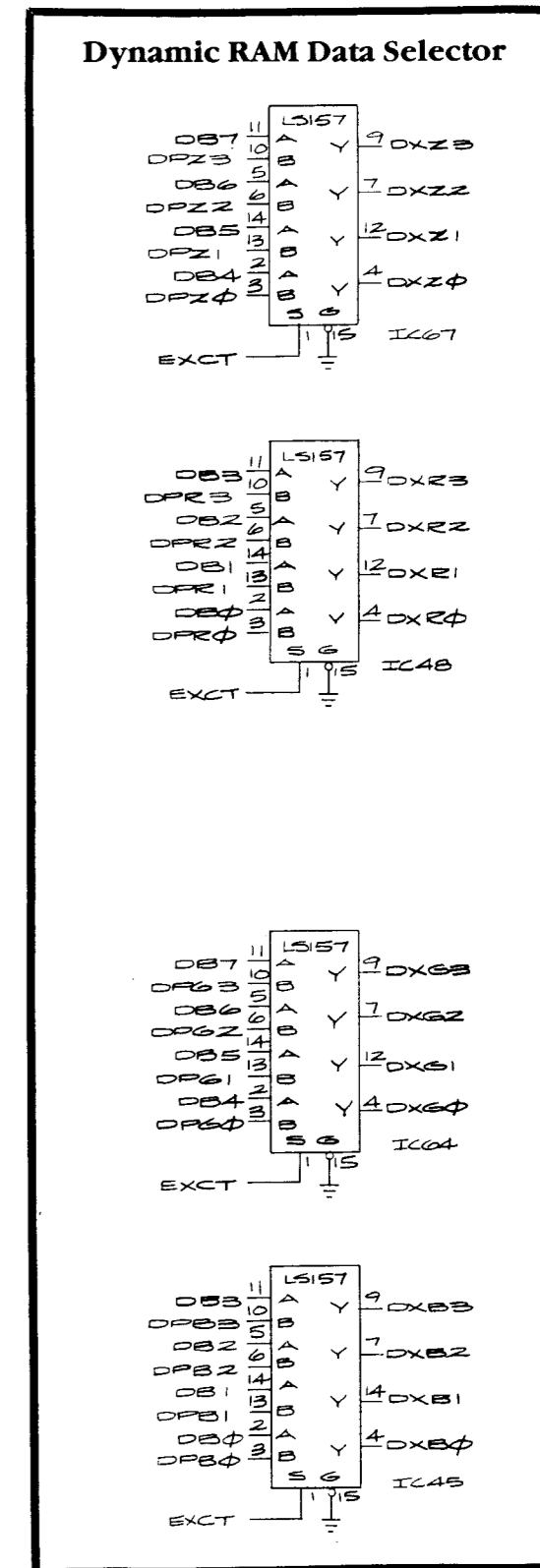
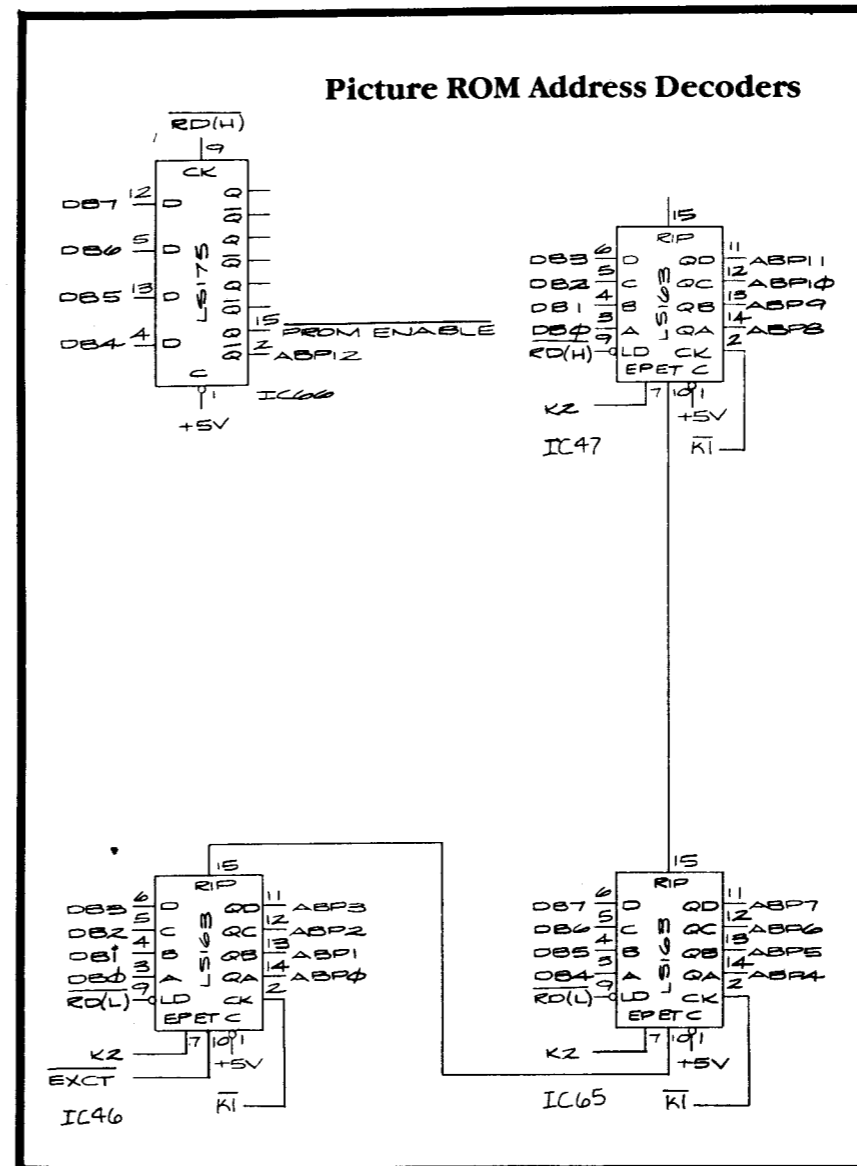
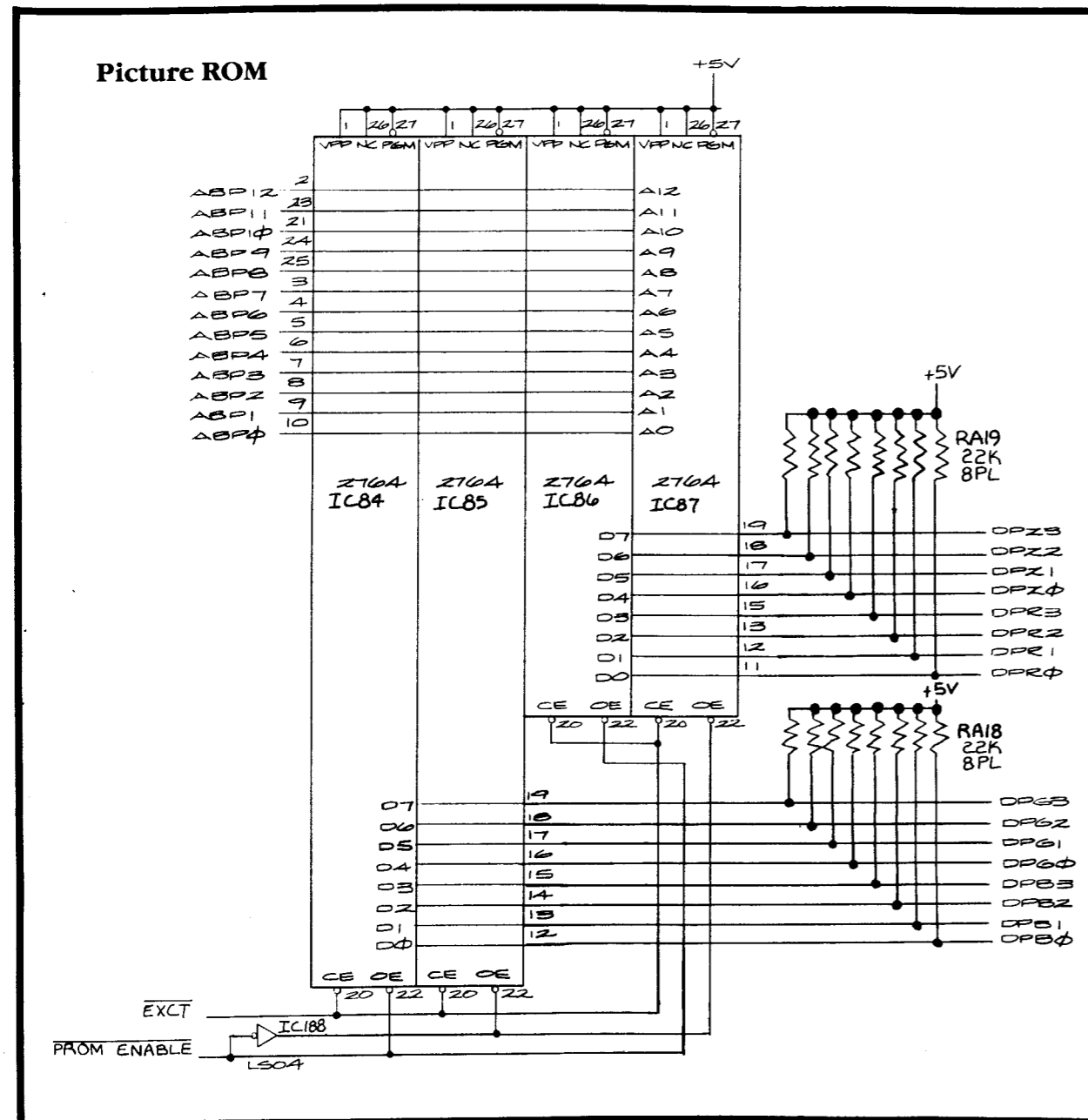
### Arabian PCB Schematic Diagram



© ATARI INC. 1983

SP-237 Sheet 10A  
 1st printing

A Warner Communications Company



**NOTICE TO ALL PERSONS RECEIVING THIS DRAWING**  
 CONFIDENTIAL: Reproduction forbidden without the specific written permission of Atari, Inc., Sunnyvale, CA. This drawing is only conditionally issued, and neither receipt nor possession thereof confers or transfers any right in, or license to use, the subject matter of the drawing or any design or technical information shown thereon, nor any right to reproduce this drawing or any part thereof. Except for manufacture by vendors of Atari, Inc., and for manufacture under the corporation's written license, no right is granted to reproduce this drawing or the subject matter thereof, unless by written agreement with or written permission from the corporation.

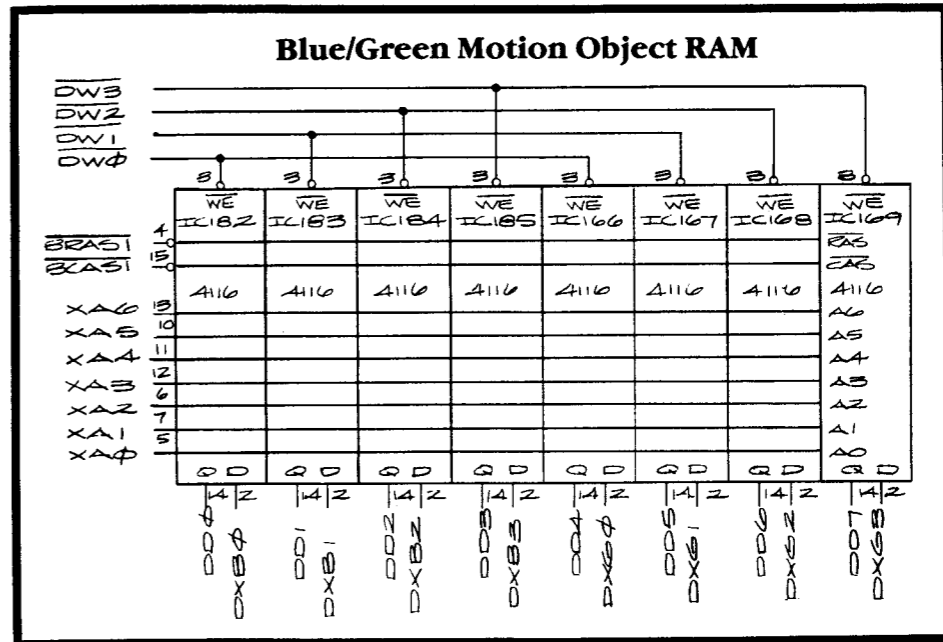
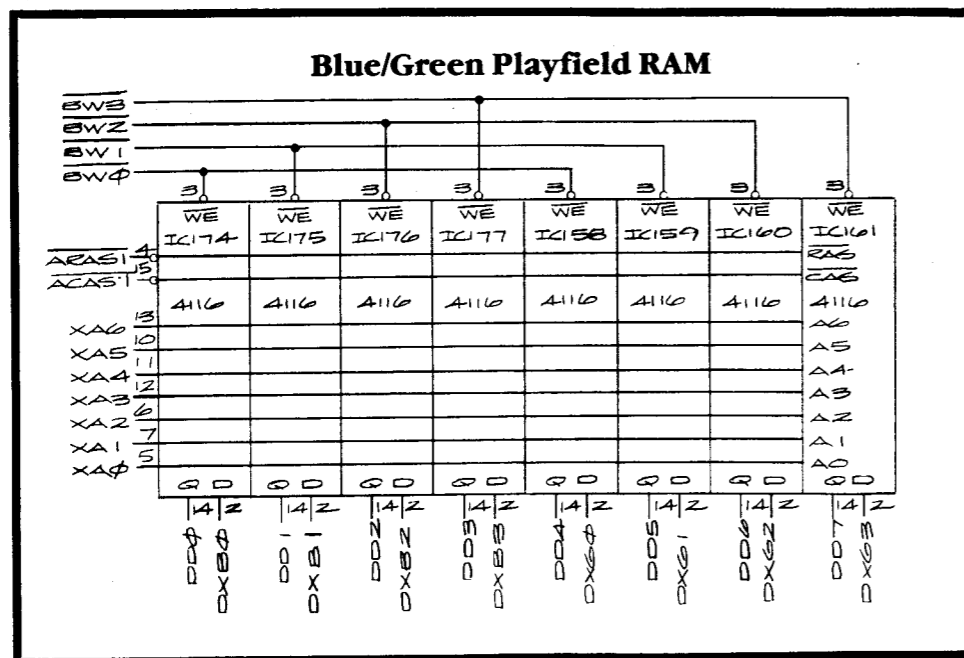
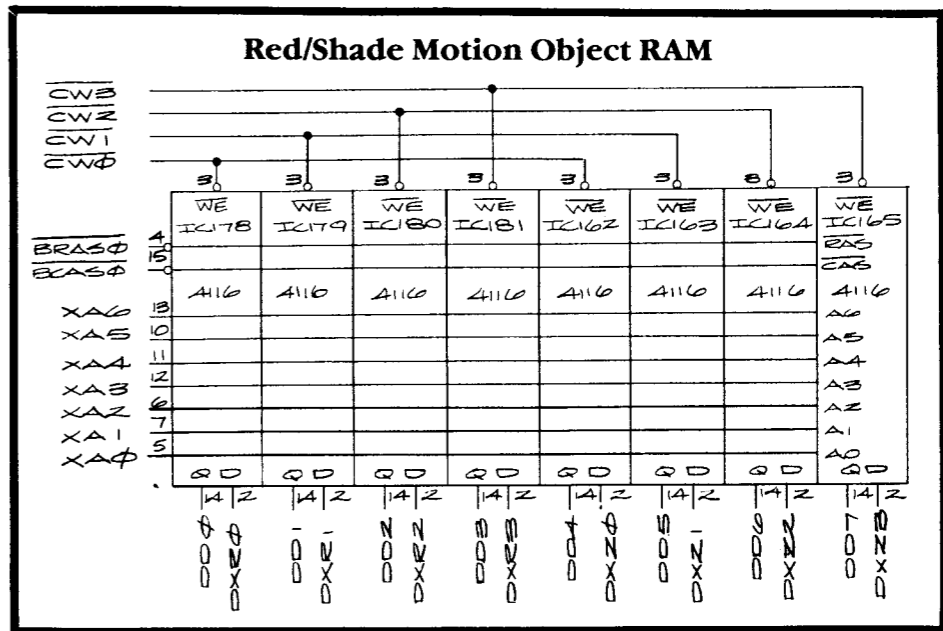
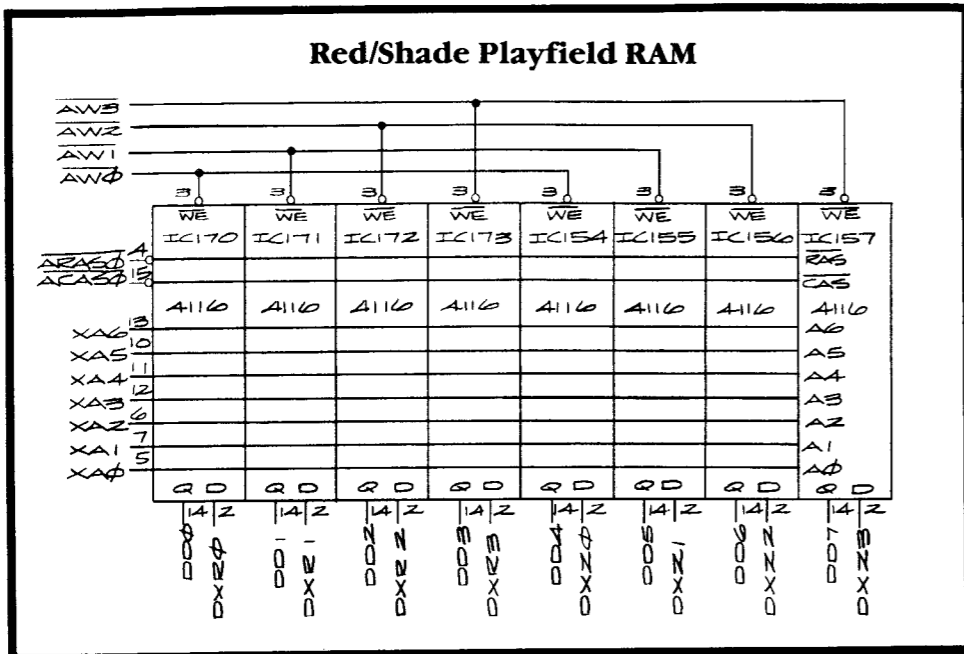
### Arabian PCB Schematic Diagram



© ATARI INC. 1985

SP-237 Sheet 10B  
1st printing

A Warner Communications Company



**NOTICE TO ALL PERSONS RECEIVING THIS DRAWING**  
 CONFIDENTIAL. Reproduction forbidden without the specific written permission of Atari, Inc., Sunnyvale, CA. This drawing is only conditionally issued, and neither receipt nor possession thereof confers or transfers any right in, or license to use, the subject matter of the drawing or any design or technical information shown thereon, nor any right to reproduce this drawing or any part thereof. Except for manufacture by vendors of Atari, Inc., and for manufacture under the corporation's written license, no right is granted to reproduce this drawing or the subject matter thereof, unless by written agreement with or written permission from the corporation.

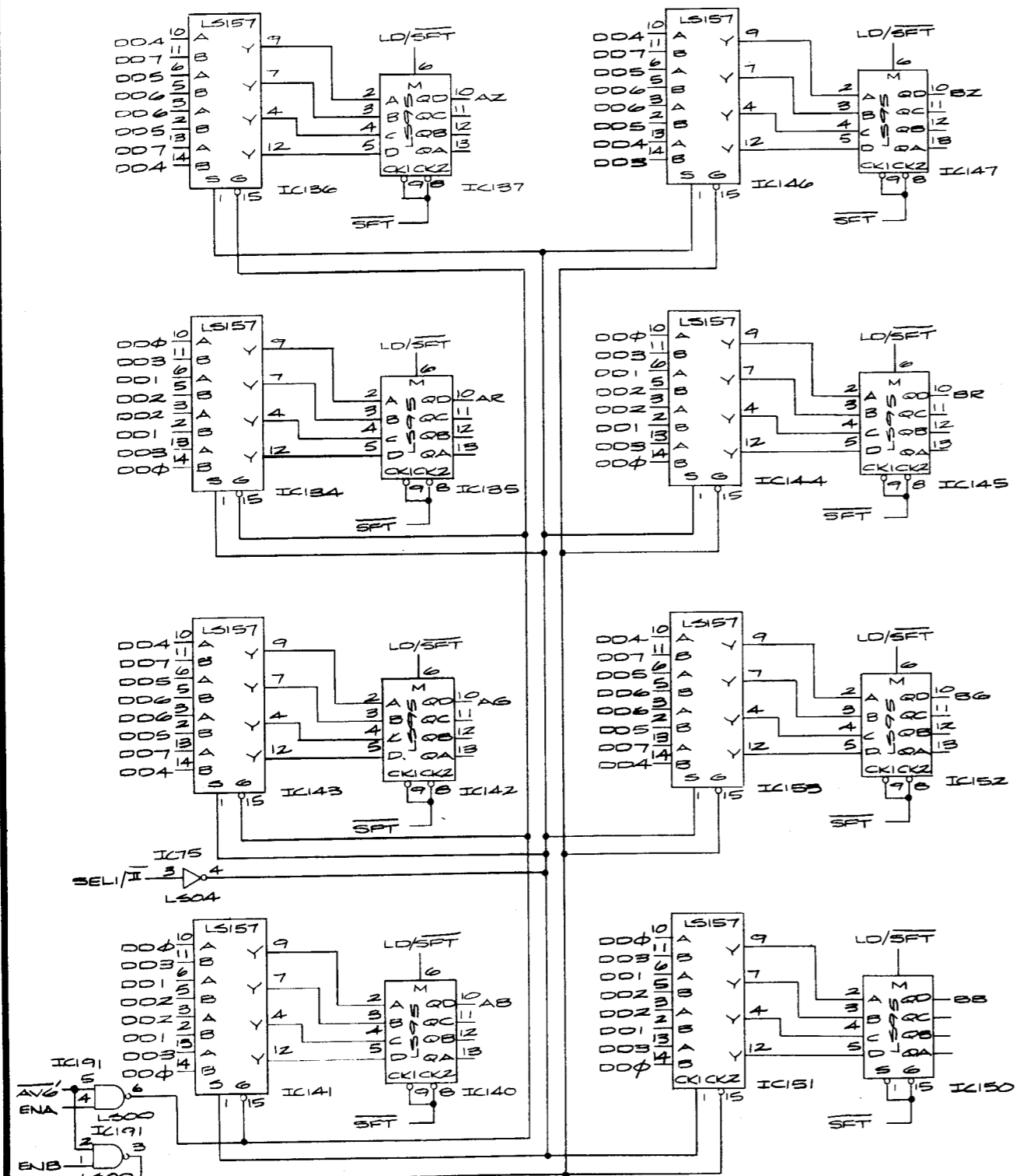
## Arabian PCB Schematic Diagram

**ATARI**

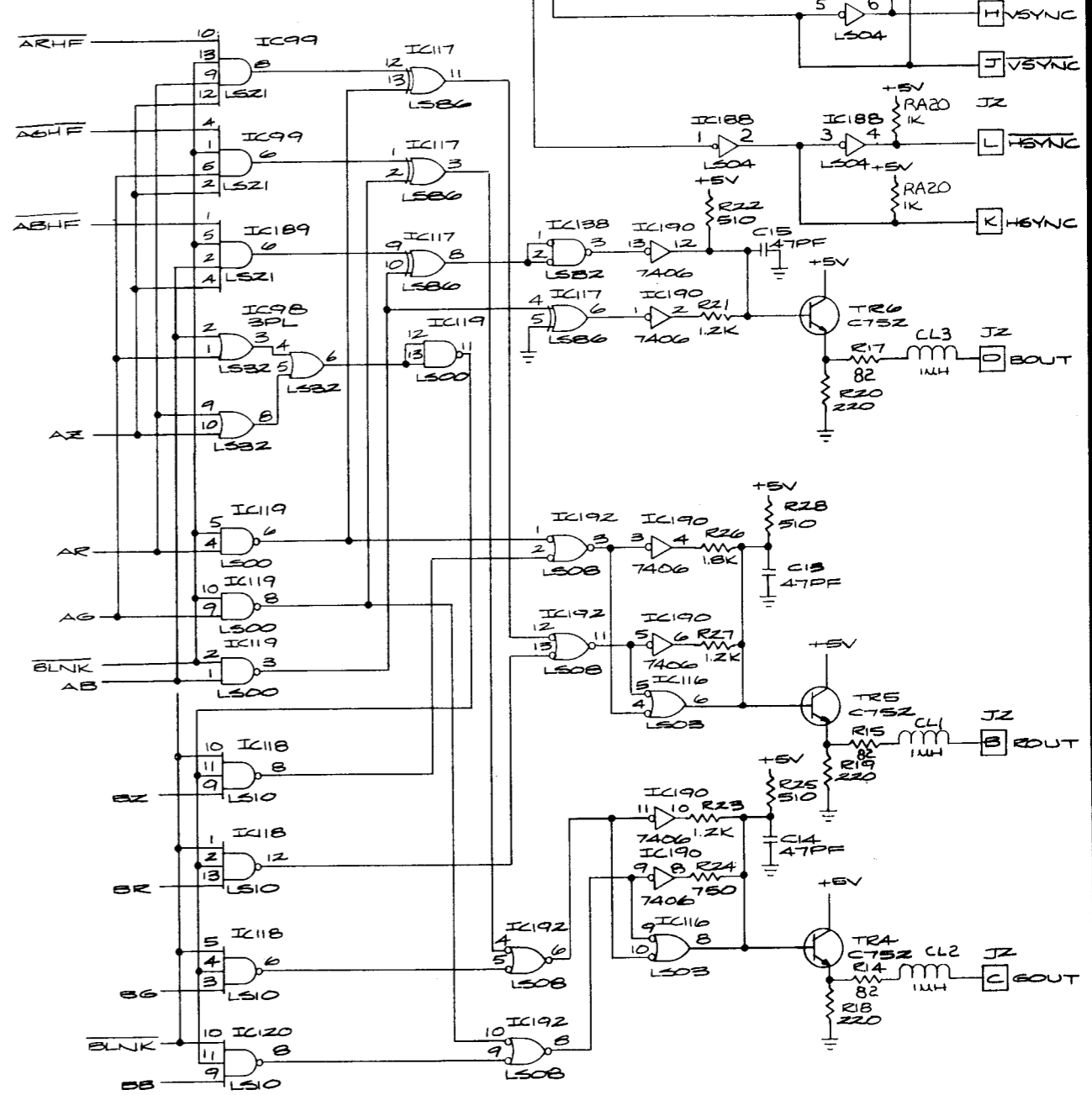
© ATARI INC. 1983

SP-237 Sheet 11A  
1st printing

### Video Output Decoders



### Video Output



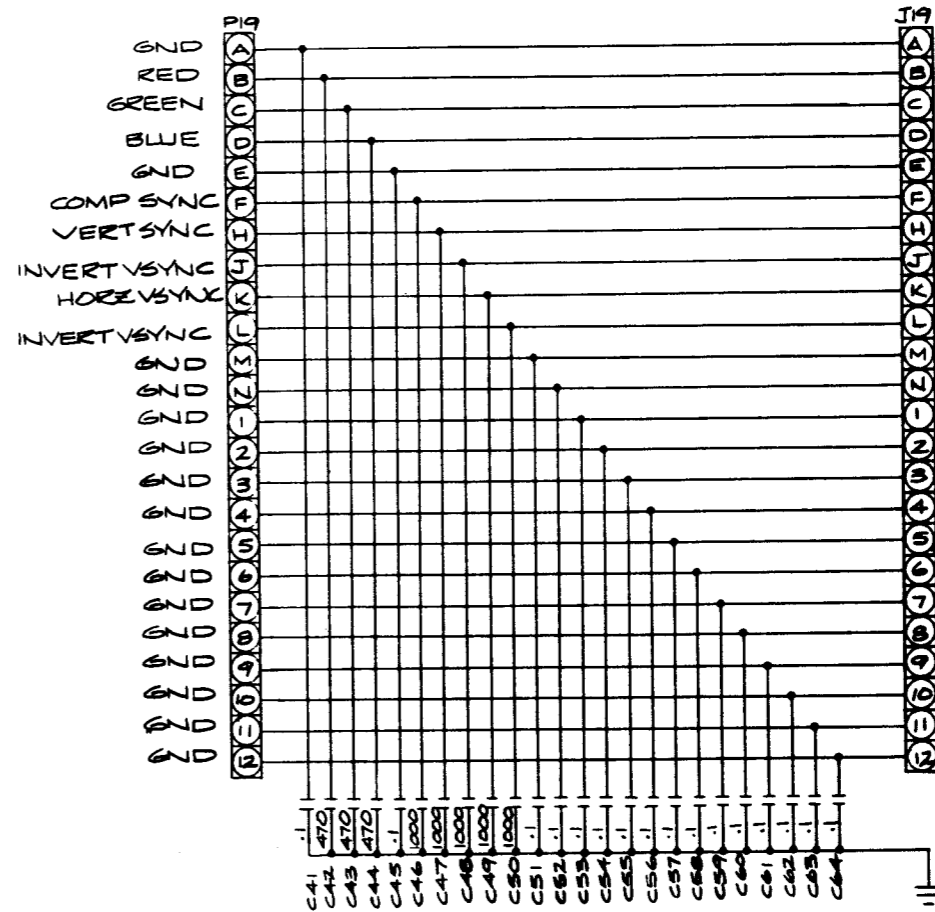
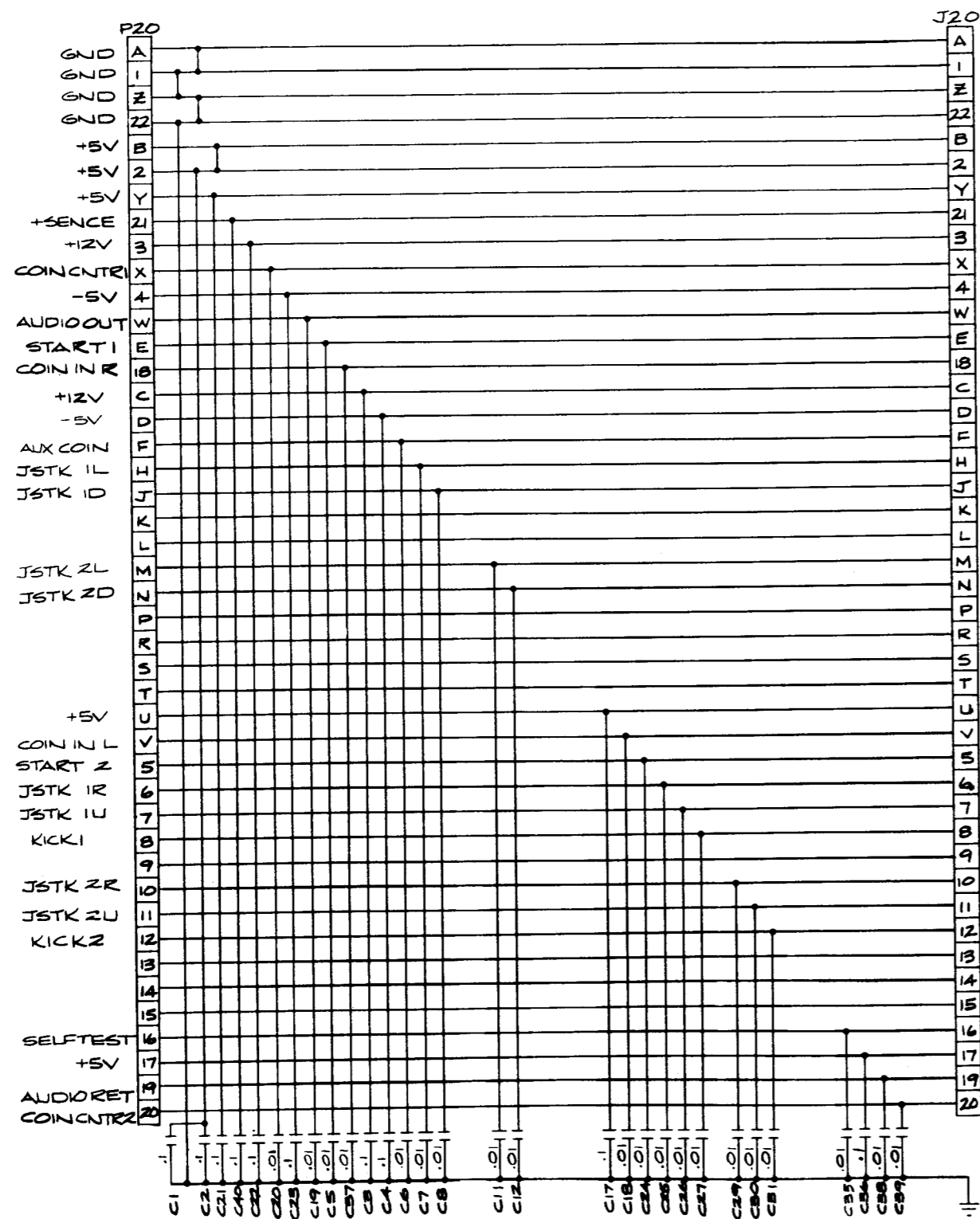
**NOTICE TO ALL PERSONS RECEIVING THIS DRAWING**  
 CONFIDENTIAL: Reproduction forbidden without the specific written permission of Atari, Inc., Sunnyvale, CA. This drawing is only conditionally issued, and neither receipt nor possession thereof confers or transfers any right in, or license to use, the subject matter of the drawing or any design or technical information shown thereon, nor any right to reproduce this drawing or any part thereof. Except for manufacture by vendors of Atari, Inc., and for manufacture under the corporation's written license, no right is granted to reproduce this drawing or the subject matter thereof, unless by written agreement with or written permission from the corporation.

### Arabian PCB Schematic Diagram



© ATARI INC. 1983

SP-237 Sheet 11B  
 1st printing



**NOTICE TO ALL PERSONS RECEIVING THIS DRAWING**

CONFIDENTIAL: Reproduction forbidden without the specific written permission of Atari, Inc., Sunnyvale, CA. This drawing is only conditionally issued, and neither receipt nor possession thereof confers or transfers any right in, or license to use, the subject matter of the drawing or any design or technical information shown thereon, nor any right to reproduce this drawing or any part thereof. Except for manufacture by vendors of Atari, Inc., and for manufacture under the corporation's written license, no right is granted to reproduce this drawing or the subject matter thereof, unless by written agreement with or written permission from the corporation.

**Arabian EMI Shield PCB Schematic Diagram**



A Warner Communications Company

© ATARI INC. 1983

SP-237 Sheet 12A  
1st printing