

1st PRINTING APR 00

# SEGA

# EIGHTEEN 18 WHEELER™

☆☆☆ AMERICAN PRO TRUCKER ☆☆☆

STD VERSION  
**OWNER'S MANUAL**



SEGA ENTERPRISES, INC. USA

MANUAL NO. 999-0921



## **Warranty**

Your new Sega Product is covered for a period of 90 days from the date of shipment. This certifies that the Printed Circuit Boards, Power Supplies and Monitor are to be free of defects in workmanship or materials under normal operating conditions. This also certifies that all Interactive Control Assemblies are to be free from defects in workmanship and materials under normal operating conditions. No other product in this machine is hereby covered.

Sellers sole liability in the event a warranted part described above fails shall be, at its option, to replace or repair the defective part during the warranty period. For Warranty claims, contact your Sega Distributor.

Should the Seller determine, by inspection that the product was caused by Accident, Misuse, Neglect, Alteration, Improper Repair, Installation or Testing, the warranty offered will be null and void.

Under no circumstances is the Seller responsible for any loss of profits, loss of use, or other damages.

This shall be the exclusive written Warranty of the original purchaser expressed in lieu of all other warranties expressed or implied. Under no circumstance shall it extend beyond the period of time listed above.

## TABLE OF CONTENTS

INTRODUCTION OF THE OWNERS MANUAL	1
GENERAL PRECAUTIONS	2~3
1. PRECAUTIONS TO BE HEDED FOR OPERATION	4~5
2. NAME OF PARTS	6
3. ACCESSORIES	7~8
4. ASSEMBLY AND INSTALLATION	9~13
5. PRECAUTIONS TO BE HEDED WHEN MOVING MACHINE	14
6. CONTENTS OF GAME	15~19
7. EXPLANATION OF TEST AND DATA DISPLAY	20~34
7-1 SWITCH UNIT AND COIN METER	21
7-2 SYSTEM TEST MODE	22~28
A C.R.T. TEST	23
B COIN ASSIGNMENTS	24~28
7-3 GAME TEST MODE	29~34
A INPUT TEST	30
B OUTPUT TEST	30
C SOUND TEST	31
D VOLUME SETTING	31
E GAME ASSIGNMENTS	32
F BOOKKEEPING	33
G BACKUP DATA CLEAR	34
8. HANDLE MECHA	35~39
8-1 REMOVING THE CONTROL MECHANISM	35~37
8-2 VOLUME ADJUSTMENT/REPLACEMENT	38~39
9. SHIFT LEVER	40~41
9-1 REMOVING THE SHIFT LEVER	40
9-2 SWITCH REPLACEMENT	41
10. ACCELERATOR & BRAKE	42~44
10-1 REMOVING THE ACCELERATOR AND THE BRAKE	42
10-2 ADJUSTING OR REPLACING THE VOLUME	43~44
10-3 GREASING	44
11. COIN SELECTOR	45~48
12. MONITOR	49~51
12-1 CAUTIONS/WARNINGS FOR HANDLING	49~50
12-2 CAUTIONS TO BE HEDED WHEN CLEANING	50
12-3 ADJUSTMENT METHOD	51
13. REPLACEMENT OF FLUORESCENT LAMP AND BUTTONS	52~53
14. PERIODIC INSPECTION TABLE	54
15. TROUBLESHOOTING	55
16. GAME BOARD	56~57
16-1 LOCATING THE GAME BOARD	56
16-3 COMPOSITION OF THE GAME BOARD	57
18. DESIGN RELATED PARTS	58
19. PARTS LIST	59~79
20. WIRING DIAGRAMS	XXX

## SPECIFICATIONS

Installation space:	34 in.(W) x 71 in.(D)
Height:	76 in.
Weight:	Approx. 450 lbs.
Power maximum current:	5 Amp AC 120V 60 Hz
MONITOR:	29" COLOR MONITOR

## INTRODUCTION OF THE OWNERS MANUAL

---

SEGA ENTERPRISES, LTD., has for more than 30 years been supplying various innovative and popular amusement products to the world market. This Owners Manual is intended to provide detailed descriptions together with all the necessary installation, game settings and parts ordering information related to 18 WHEELER 'AMERICAN PRO TRUCKER' STD TYPE, a new SEGA product.

This manual is intended for those who have knowledge of electricity and technical expertise, especially in ICs, CRTs, microprocessors, and circuit boards. Read this manual carefully to acquire sufficient knowledge before working on the machine. Should there be a malfunction, non-technical personnel should under no circumstances touch the interior system. Should the need arise, contact our main office, or the closest branch office listed below.

### **SEGA ENTERPRISES, INC. (USA)**

#### **Customer Service**

45133 Industrial Drive

Fremont, CA 94538

Phone 415-701-6580

Fax 415-701-6594

7:30 am - 4:00 pm, Pacific Standard Time

Monday thru Friday

## General Precautions

---

**Follow Instructions:** All operating and use instructions should be followed.

**Attachments:** Do not use attachments not recommended by the product manufacturer as they may cause hazards.

**Accessories:** Do not place this product on an unstable cart, stand, tripod, bracket, or table. The product may fall, causing serious injury to a child or adult, and serious damage to the product. Use only with a cart, stand, tripod, bracket, or table recommended by the manufacturer, or sold with the product. Any mounting of the product should follow the manufacturer's instructions, and should use only mounting accessories recommended by the manufacturer.

**Moving the Product:** This product should be moved with care. Quick stops, excessive force, and uneven surfaces may cause the product to overturn.

**Ventilation:** Slots and openings in the cabinet are provided for ventilation, to ensure reliable operation of the product and to protect it from overheating; these openings must not be blocked or covered. The openings should never be blocked by placing the product in a built-in installation such as a bookcase or rack unless proper ventilation is provided or the manufacturer's instructions have been adhered to.

**Power Sources:** This product should be operated only from the type of power source indicated on the marking label. If you are not sure of the type of power supply to your location, consult your local power company. For products intended to operate from battery power or other sources, refer to the operating instructions.

**Grounding or Polarization:** This product is equipped with a three-wire grounding-type plug, a plug having a third (grounding) pin. This plug will only fit into a grounding-type power outlet. This is a safety feature. If you are unable to insert the plug into the outlet, contact your electrician to replace your obsolete outlet. Do not defeat the safety purpose of the grounding-type plug.

**Power Cord Protection:** Power-supply cords should be routed so that they are not likely to be walked on or pinched by items placed upon or against them, paying particular attention to cords at plugs, convenience receptacles, and the point where they exit from the product.

**Overloading:** Do not overload wall outlets, extension cords, or integral convenience receptacles as this can result in a risk of fire or electric shock.

**Object and Liquid Entry:** Never push objects of any kind into this product through openings as they may touch dangerous voltage points or short-out parts that could result in a fire or electric shock. Never spill liquid of any kind on the product.

**Servicing:** Do not attempt to service this product yourself as opening or removing covers may expose you to dangerous voltage or other hazards. Refer all servicing to qualified service personnel.

**Damage Requiring Service:** Unplug this product from the wall outlet and refer servicing to qualified service personnel under the following conditions:

- a) If the power cord or plug is damaged;
- b) If liquid has been spilled, or objects have fallen into the product;
- c) If the product has been exposed to rain or water;
- d) If the product does not operate normally when following the operating instructions. Adjust only those controls that are explained in the operating instructions. An improper adjustment of other controls may result in damage and will often require extensive work by a qualified technician to restore the product to its normal operation;
- e) If the product has been dropped or damaged in any way;
- f) When the product exhibits a distinct change in performance; this indicates a need for service.

**Replacement Parts:** When replacement parts are required, be sure the service technician has used replacements parts specified by the manufacturer or that have the same characteristics as the original part. Unauthorized substitutions may result in fire, electric shock, or other hazards.

**Safety Check:** Upon completion of any service or repairs to this product, ask the service technician to perform safety checks to determine that the product is in proper operating condition.

**Heat:** The product should be situated away from heat sources such as radiators, heat registers, stoves, or other products (including amplifiers) that produce heat.

**Lithium Battery-** Dispose of batteries only in accordance with the battery manufacturer's recommendations. Do not dispose in an open flame condition, since the battery may explode.

**Cleaning:** When cleaning the monitor glass, use water or glass cleaner and a soft cloth. Do not apply chemicals such as benzene, thinner, etc.

**Location:** This is an indoor game machine, DO NOT install it outside. To ensure proper usage, avoid installing indoors in the places mentioned below:

- Places subject to rain/water leakage, or condensation due to humidity;
- In close proximity to a potential wet area;
- Locations receiving direct sunlight;
- Places close to heating units or hot air;
- In the vicinity of highly inflammable/volatile chemicals or hazardous matter;
- On sloped surfaces;
- In the vicinity of emergency response facilities such as fire exits and fire extinguishers;
- Places subject to any type of violent impact;
- Dusty places.

#### **INSTALLATION PRECAUTIONS**

- Verify the amperage of the branch circuit outlet before plugging in the power plug. Do not overload the circuit.
- Avoid using an extension cord. If one is required, use an extension cord of type SJT, 16/3 AWG rated min. 120 VAC, 7A.
- Moving this unit requires a minimum clearance (of doors, etc.) of 32" (W) by 77" (H).
- For the operation of this machine, secure a minimum area of 32" (W) by 42" (D).

#### **REGULATORY APPROVALS**

This game has been tested and found to comply with the Federal Communications Commission Rules.

This device complies with Part 15 of the FCC Rules. Operation is subject to the following two conditions: (1) This device may not cause harmful interference, and (2) this device must accept any interference received, including interference that may cause undesired operation.

This game has been tested and listed by Underwriters Laboratories, Inc., to ANSI/UL22.



# 1 . PRECAUTIONS TO BE HEDED FOR OPERATION

In order to prevent accidents, be sure to comply with the following points before and during operation.

## PRECAUTIONS TO BE HEDED FOR OPERATION BEFORE STARTING THE OPERATION



WARNING!

- In order to avoid accidents, check the following before starting the operation:  
Check if all of the adjusters are in contact with the surface. If they are not, the cabinet can move and cause an accident.



- Do not climb on the product. Climbing on the product can cause falling accidents. To check the top portion of the product, use a step.
- To avoid electric shock, check to see if door & cover parts are closed.
- To avoid electric shock, short circuit and or parts damage, do not put the following items on or in the periphery of the product:
- Flower vases, flower pots, cups, water tanks, cosmetics, and receptacles/containers/vessels containing chemicals and water.



CAUTION!

To avoid injury, be sure to provide sufficient space by considering the potentially crowded situation at the installation location. Insufficient installation space can cause the player to come into contact with or hit others and result in injury or trouble.

## PRECAUTIONS TO BE HEEDED DURING OPERATION



CAUTION!

To avoid injury and accidents, those who fall under the following categories are not allowed to play the game:

- \* Intoxicated persons
- \* Those who have high blood pressure or heart problems.
- \* Those who have experienced muscle convulsion or loss of consciousness when playing video games, etc.
- \* Persons susceptible to motion sickness.
- \* Persons whose acts runs counter to the products warning displays.

\* Instruct those who wear high-heeled shoes to refrain from playing the game by explaining that playing the game with high-heeled shoes is very dangerous and likely to cause a potentially hazardous situation.

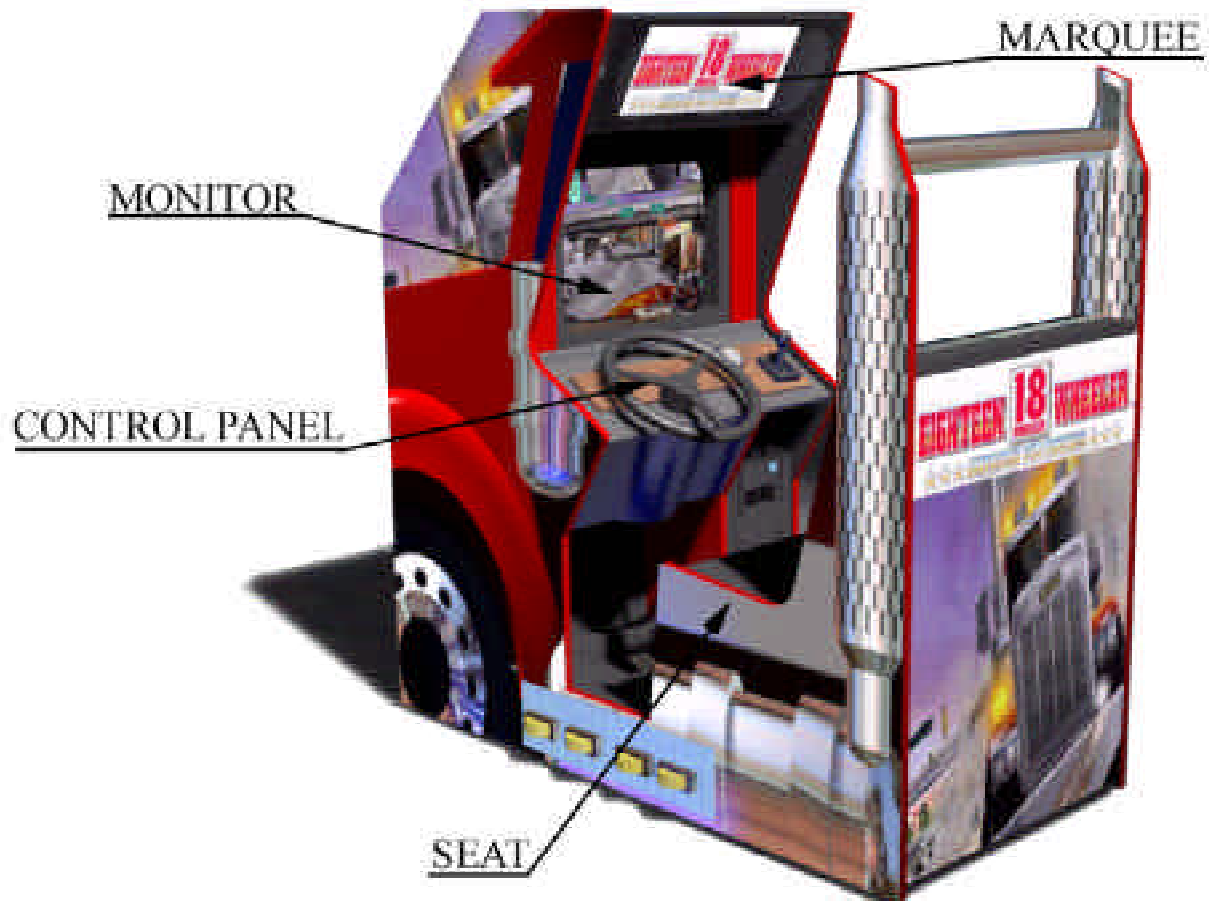


CAUTION!

- To avoid electric shock and short circuit, do not allow customers to put hands and fingers or extraneous matter in openings of the product or small openings in or around doors.
- To avoid electric shock and short circuit, do not allow the customers to unplug the power plug without a justifiable reason.
- Although this product has the accident preventive covering attached to potentially hazardous places where hand and fingers could be caught, small children are unable to perceive hazards. Use care so that small children do not come close to the product when in play.
- Immediately stop such violent acts as hitting and kicking the product. Such violent acts can cause parts damage and/or falling down, resulting in injury due to fragments and falling down.

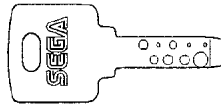
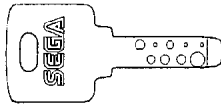
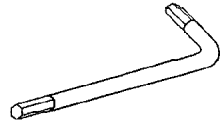


## 2 . NAME OF PARTS



GAME SPECIFICATIONS	WIDTH in.		LENGTH in.		HEIGHT in.	WEIGHT lbs.
	All measurements are and rounded UP					
DURING SHIPPING	40"	X	77"	X	84"	500 LBS.
WHEN ASSEMBLED	34"	X	71"	X	76"	450 LBS.

### 3. ACCESSORIES

<p>DESCRIPTION OWNERS MANUAL          Part No. (Qty.) 999-0921          Note          Figures          If Part No. has no description, the Number has not been registered or can not be registered. Such a part may not be obtainable even if the customer desires to purchase it. Therefore, ensure that the part is in safekeeping with you.</p>	<p>KEY MASTER          220-5576 (2)          For opening/closing          the doors</p> 	<p>KEY          (2)          For the CASHBOX DOOR</p> 
<p>TAMPERPROOF WRENCH          M8 540-0009-01 (1)          TOOL</p> 		

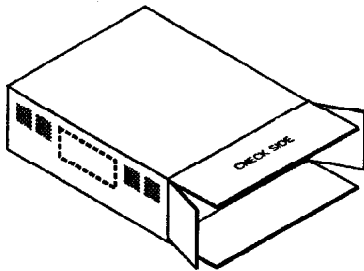


CAUTION!

**THE SHIPMENT METHOD DESCRIBED BELOW ONLY APPLIES TO 'MODEL 3' BOARDS CONTAINED IN THE FOLLOWING GAMES:**

LOST WORLD, VIRTUA FIGHTER 3, SUPER GT, SEGA BASS FISHING, STRIKER 2 HARLEY DAVIDSON, RALLY 2, DAYTONA 2, DIRT DEVILS, HOUSE OF THE DEAD 2, OCEAN HUNTER, STAR WARS TRILOGY, ZOMBIE REVENGE, CRAZY TAXI, AIRLINE PILOTS, **18 WHEELER**

**!!NEVER SHIP MODEL 3 / NAOMI GAME BOARDS OUTSIDE OF CAGE!!**

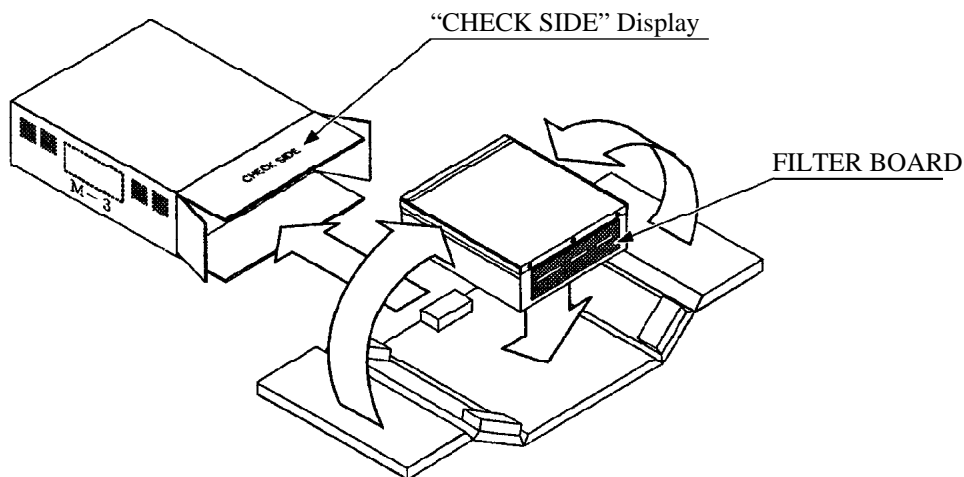


CARTON BOX

601-8928 (1)

Used for transporting the GAME BOARD.  
{ SUPPLIED WITH YOUR GAME }

**DO NOT SHIP GAME BOARD WITHOUT THIS BOX AS IT MAY DAMAGE THE GAME BOARD AND VOID YOUR WARRANTY.**



WARNING!

**NO OTHER GAMES BOARDS ARE TO BE SHIPPED IN THE CAGE AS THEY MAY BE DAMAGED BEYOND REPAIR. PLEASE SHIP THEM WITHOUT CAGE PROPERLY PROTECTED DURING SHIPPING.**

## 4 . ASSEMBLING AND INSTALLATION



CAUTION!

- Assembling should be performed as per this manual. Since this is a complex machine, erroneous assembling may cause damage to the machine, or malfunctioning to occur.
- When assembling, be sure to perform work by plural persons. Depending on the assembly work, there are some cases in which a single person performing the work can cause personal injury or parts damage.
- Be careful so as not to damage wirings. Damaged wiring can cause electric shock and short circuit hazards.

When carrying out the assembly work, follow the procedure in the following 5-item sequence:

- 1 ASSY OF THE CABINET
- 2 SECURING IN PLACE (ADJUSTER ADJUSTMENT)
- 3 POWER SUPPLY
- 4 ASSEMBLING CHECK

Note that the tools such as a phillips screwdriver and wrench for M16 hexagon bolt w/24 mm width across flats are required for the assembly work.



ASSY OF CABINET



CAUTION!

Permanently tightening the hex bolts should not be completed until the leg levelers are adjusted properly.

NOTE: Game is shipped fully assembled. No assembly required.

2

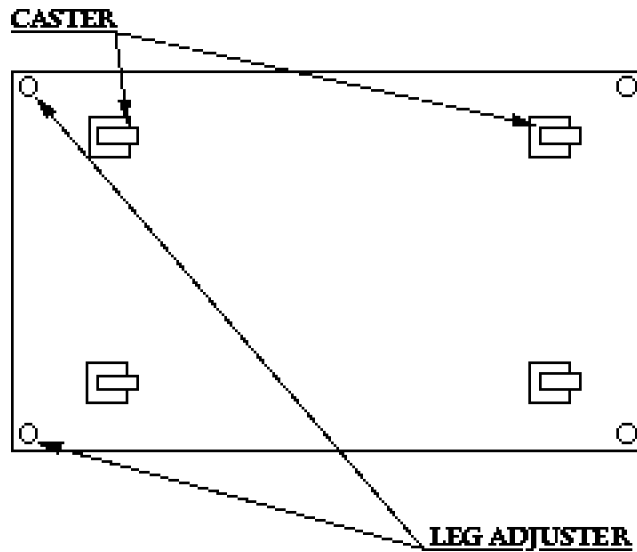
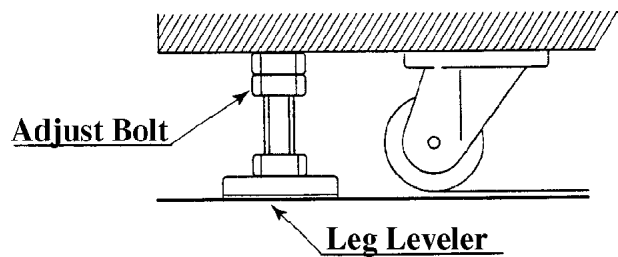
## SECURING IN PLACE (ADJUSTER ADJUSTMENT)



Be sure to have all the Adjusters make contact with the floor surface. Unless the Adjusters come into contact with the floor surface, the Cabinet can move of itself, causing an accident.

This machine has 4 each of casters and adjusters (shown below). When the installation position is determined, cause the adjusters to come into contact with the floor directly, make adjustments in a manner so that the casters will be raised approximately 5mm. from the floor and make sure that the machine position is level.

- 1 Move the machine to the installation position. Be sure to provide adequate space allowing the player to get on and off.
- 2 Have all of the Leg Adjusters make contact with the floor. Adjust the height of the Leg Adjusters by using a wrench so that the machine's position is kept level.
- 3 After making adjustments, fasten the leg Adjuster Nut upward and secure the height of the Leg Adjuster.



# 3

## POWER SUPPLY



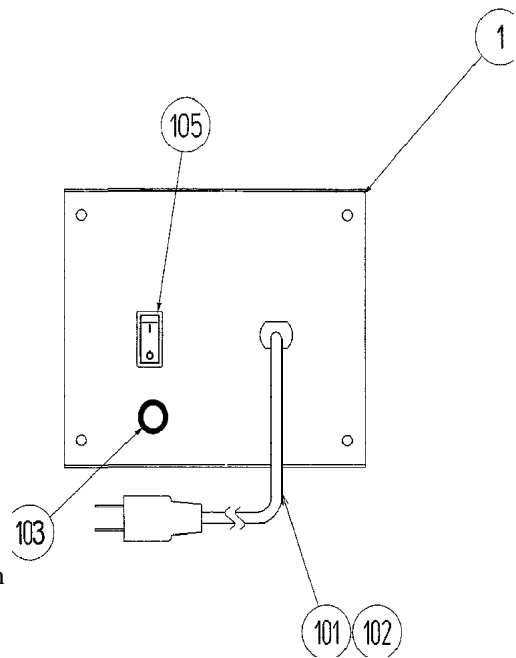
WARNING!

- Ensure that the power cord is not exposed on the surface (passage, etc.). If exposed, they can be caught and are susceptible to damage. If damaged, the cord can cause an electric shock or short circuit.
- Ensure that the wiring position is not in the customer's passage way or the wiring has protective covering.

Connect the game to the power supply and turn on power to the game. Before connecting power supply be sure that power switch is off

- ① Turning the AC unit's main switch on will cause the machine to start the power check and network check automatically.
- ② In the Power On check, the steering wheel turns left and right, and then returns to the centering position and stops. In this check, the values of the VR inside the control panel are corrected.
- ③ Until this check is finished, and the steering wheel stops, do not touch the steering wheel or play the game.

If you do, the steering reaction during the game (reaction at the time of course-out or crash) can not be obtained correctly. In the case of an abnormal reaction during the game, turn power on again from the beginning and complete the power on check.



# 4

## ASSEMBLING CHECK

In the TEST MODE, ascertain that the assembly has been made correctly and that the IC BOARD is satisfactory.

In the test mode, perform the following test:

### (1) MEMORY TEST

MEMORY TEST MODE

RAM TEST

IC29 GOOD	
IC34 GOOD	
IC16 GOOD	IC18 GOOD
IC20 GOOD	IC22 GOOD
IC9 GOOD	IC10 GOOD
IC11 GOOD	IC12 GOOD

PRESS TEST BUTTON TO EXIT

Selecting the RAM TEST item on the test mode menu screen causes the on-board memory to be tested automatically. The game board is satisfactory if the display beside each IC No. shows GOOD.

### (2) C.R.T. TEST

C.R.T. TEST 1/2

RED
GREEN
BLUE
WHITE

PRESS TEST BUTTON TO CONTINUE

In the TEST mode menu, selecting C.R.T. TEST allows the screen (on which the monitor is tested) to be displayed. Although the monitor adjustments have been made at the time of shipment from the factory, color deviation, etc., may occur due to the effects of geomagnetism, the location of the building's steel frames and other game machines in the periphery. By watching the test mode screen, make judgement as to whether an adjustment is needed. If it is necessary, adjust the monitor by referring to Chapter 12.

C.R.T. TEST 2/2

PRESS TEST BUTTON TO EXIT

### (3) INPUT TEST

INPUT TEST	
COIN CHUTE #1	OFF
COIN CHUTE #2	OFF
SERVICE	OFF
TEST	OFF
START	OFF
VIEW	OFF
HORN	OFF
SHIFT [L]	OFF
SHIFT [H]	OFF
SHIFT [R]	OFF
HANDLE	XXH
ACCEL	XXH
BRAKE	XXH

PRESS TEST + SERVICE BUTTON TO EXIT

Selecting the INPUT TEST on the test mode menu screen causes the screen (on which each switch is tested) to be displayed. Press each switch. For the coin switch test, insert a coin into the coin inlet with the coin chute door open. If the display beside each switch indicates "ON," the switch and wiring connections are satisfactory.

### (4) OUTPUT TEST

OUTPUT TEST	
START LAMP	OFF
VIEW LAMP	OFF
HORN LAMP	OFF
ROLL LEFT	OFF
ROLL RIGHT	OFF

->EXIT

SELECT WITH SERVICE BUTTON  
AND PRESS TEST BUTTON

Select OUTPUT TEST from the menu in the test mode to cause the screen (on which each lamp and wiring connection is tested) to appear. Ensure that each lamp lights up satisfactorily.

### (5) SOUND TEST

SOUND TEST	
B.G.M.	O/ XX
EFFECT	O/ XX
[_____]	
ICS	O/ XX
[_____]	

-> EXIT

SELECT WITH SERVICE BUTTON  
AND PRESS TEST BUTTON

In the TEST mode, selecting SOUND TEST causes the screen, on which sound related BD and wiring connections are tested, to be displayed. Be sure to check if the sound is satisfactorily emitted from each speaker and that the sound volume is appropriate.

Perform the above inspections also at the time of monthly inspection.



## 5 . PRECATIONS TO BE HEEDED WHEN MOVING THE MACHINE



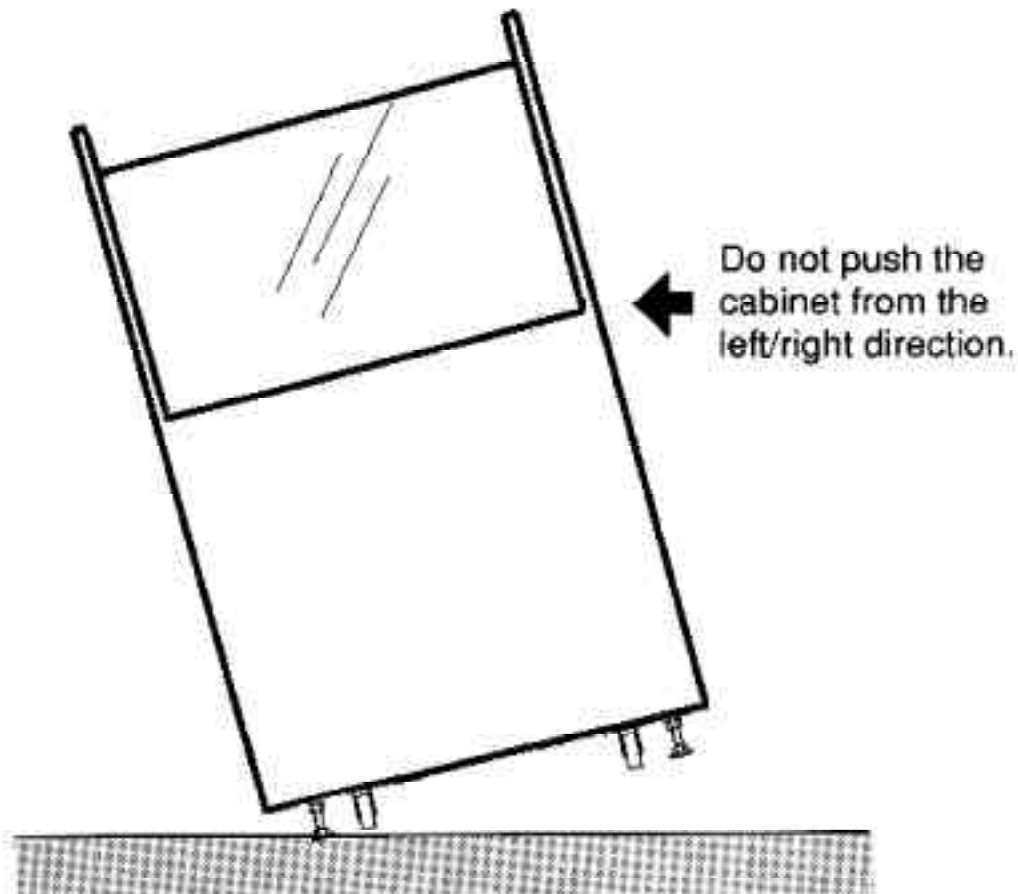
WARNING!

- When moving the machine, be sure to pull out the plug from the power supply. Moving the machine with the plug inserted can damage the power cord and cause a fire or electric shock.
- When moving the machine on the floor, retract the Adjusters and ensure that Casters make contact with the floor. During transportation, pay careful attention so that Casters do not tread power cords. Damaging the power cords can cause an electric shock and/or short circuit.
- When lifting the cabinet, be sure to hold the catch portions or bottom part. Lifting the cabinet by holding other portions can damage parts and installation portions, due to the empty weight of the cabinet, and cause personal injury.



CAUTION!

Do not push on the plastic parts. Doing so may damage the parts and cause injury due to fragments resulting from damage.



## 6 . CONTENTS OF GAME

The following explanations apply in the event the product is functioning satisfactorily. Should there be any moves different from the following contents, some sort of faults may have occurred. Immediately look into the cause of the fault and eliminate the cause thereof to ensure satisfactory operation.

When the product is energized, the Billboard's fluorescent lamp is always lit. During the advertise mode, the advertise screen is shown on the monitor and sound is emitted from the speakers. Setting to No Sound Output during the advertise mode is possible in the TEST mode.

### OUTLINE OF THE GAME

- This is a single, driving game in which the player competes with rivals by driving a Trailer Truck to cross America.
- When coins are inserted to gain credits, the START button starts flashing. Press the START button to proceed to the SELECTOR mode where you can select your truck and the trailer. The game starts upon selecting the truck and the trailer.
- Based on the setting made in the test mode, the number of coins inserted to obtain a credit counts as one credit in this product. The number of credits necessary to start the game and to continue the game can be set in the test mode.
- The game consists of the 4 kinds of driving stages and 3 kinds of parking stages (Bonus stages).
- When continued, the game is played at the beginning of the last stage that resulted in a game over.
- If your score falls within the top 5, you can enter your name.

### CONTENTS OF THE GAME

- Pass the checking point within a certain period of time and reach the goal, and you can clear the stage.
- The game finishes after clearing all 4 stages.
- If you can reach the goal ahead of your rival trailers in each stage (the 1st through the 3rd), then you can play the Parking game (Bonus game).

### GAME OVER

- If you fail to pass the checking point within a certain period of time or fail to goal, the game is over.
- Passing the checking point behind the rival trailers or failing on the Parking game does not result in a game over.

## OPERATION



### <STEERING WHEEL>

SELECTOR : Turn right or left to select an object.

GAME PLAY : Operate the Trailer Truck.

### <HORN AT THE DRIVER'S SEAT>

SELECTOR : Decide

GAME PLAY : Blow the horn to signal the car ahead to move out of the way or to have it increase the speed. Have the trailer ahead increase the speed.

### <ACCEL.>

SELECTOR : Decide

GAME PLAY : Increase your Trailer Truck speed, or stop it.

### <BRAKE>

SELECTOR : Void

GAME PLAY : Decrease your Trailer Truck speed, or stop it.

### <GEAR>

SELECTOR : Void

GAME PLAY : 3-position, HI (High), LOW, R (Reverse)

### <VIEW CHANGE>

SELECTOR : Void

GAME PLAY : Select either Driver's View or Bird's View.

### <START BUTTON>

The START button flashes when the number of coins that are worth one credit are inserted. While flashing, press the START button to proceed to the SELECTOR. It also flashes when one or more credit(s) remains after the game is over.

SELECTOR

TRUCK SELECT

Select the truck from among ASPHALT COWBOY, STREAMLINE, HIGHWAY CAT, LONG HORN, and NIHONMARU. Each truck's abilities in SPEED, TORQUE, and TOUGHNESS differ.



TRAILER SELECT

When starting in stage 2, 3, or 4, select the trailer for towing from the 2 trailers. The weight, the length, and the transportation fee differ. The heavier the trailer, the more the difficulty.



NAME ENTRY

If your score falls within the top 5, you can enter your name.



VIEWING THE GAME SCREEN

REARVIEW MIRROR

DESTINATION

TIME LIMIT



TRANSPORTATION FEE

GEAR CONDITION

GEAR CHANGE INDICATOR

TACHOMETER

**<DESTINATION>**

Name of the destination point.

**<TIME LIMIT>**

Indicates the player's playable time. Additional time will be added when passing the CHECKPOINT and obtaining TIME BONUS.

**<REARVIEW MIRROR>**

Indicates the rear condition while the DRIVER'S VIEW is selected.

**<TRANSPORTATION FEE>**

Indicates the fee you receive when you reach the destination. If you damage the trailer by hitting another car, etc., the fee will be reduced.

**<TACHOMETER>**

Indicates the speed of rotation.

**<GEAR CHANGE INDICATOR>**

Indicates the gear condition (4 positions total) with the lamp on the monitor.

**<GEAR CONDITION>**

Indicates the current gear condition. The three types of gears (REVERSE - LOW - HI) are available.

## 7 . EXPLANATION OF TEST AND DATA DISPLAY

By operating the switch unit, periodically perform the tests and data check. When installing the machine initially or collecting cash, or when the machine does not function correctly, perform checks in accordance with the explanations given in this section. The following shows tests and modes that should be utilized as applicable.

A NAOMI GAME BOARD is used for this product. This game board system allows another game board to be played by replacing the ROM Board Case mounted on the NAOMI CASE. As such, the test mode of this system consists of the System Test Mode for the system to execute SELF-TEST, COIN ASSIGNMENTS, etc. used in common for the machines employing the NOMI BOARD, and the Game Test Mode for the specific product to execute Input/Output test for the operation equipment, difficulty setting, etc. In this manual, explanations regarding the System Test Mode cover the settings for this product only. For the details of the System Test Mode, refer to the NAOMI SERVICE MANUAL.

TABLE EXPLANATION OF TEST MODE

ITEMS	DESCRIPTION	CHAPTERS
INSTALLATION OF MACHINE	When the machine is installed, perform the following: 1. Verify that each setting is per the standard settings at the time of shipment. 2. Check all Input equipment in the INPUT TEST mode. 3. Check all OUTPUT equipment in the OUTPUT TEST mode. 4. In the MEMORY TEST mode, check ICs on the IC Board.	SERVICE MANUAL 7-3A 7-3B 4-1
MEMORY	This test is automatically executed by selecting RAM TEST or ROM BOARD TEST in the Menu mode.	SERVICE MANUAL
PERIODIC SERVICING	Periodically perform the following: 1. MEMORY TEST 2. Ascertain each setting. 3. Test all Input equipment in the INPUT TEST mode. 4. Test all Output equipment in the OUTPUT TEST mode.	SERVICE MANUAL 4-1 4-1 7-3A 7-3B
CONTROL SYSTEM	1. Check all Input equipment in the INPUT TEST mode. 2. Adjust or replace all Input equipment. 3. If the problem remains unsolved, check the movement of each control mechanism.	SERVICE MANUAL 7-3B, F 10, 11, 12
MONITOR	In the MONITOR ADJUSTMENT mode, check to see if the MONITOR adjustment is appropriately made.	SERVICE MANUAL 12
IC BOARD	1. MEMORY TEST 2. In the SOUND TEST mode, check the sound related ROMs.	SERVICE MANUAL 4-1, 7-3C
DATA CHECK	Check such data as game play time and histogram to adjust the difficulty level, etc	SERVICE MANUAL 7-3F

## 7 - 1 SWITCH UNIT AND COIN METER



WARNING!

Never touch places other than those specified. Touching places not specified can cause electric shock and short circuit.

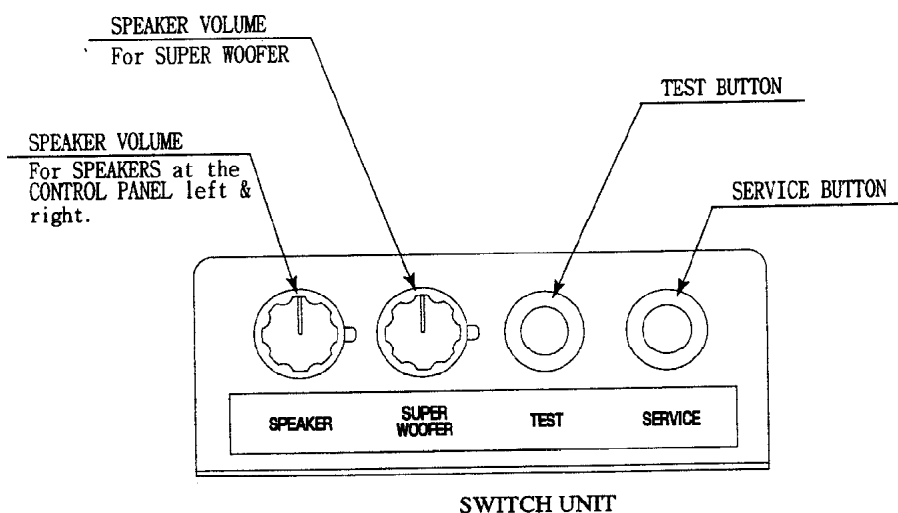


IMPORTANT!

- Adjust to the optimum sound volume by considering the environmental requirements of the installation location.
- If the COIN METER and the game board are electrically disconnected, game play is not possible.

Open the COIN CHUTE DOOR, and the switch unit shown will appear. The function of each switch is as follows:

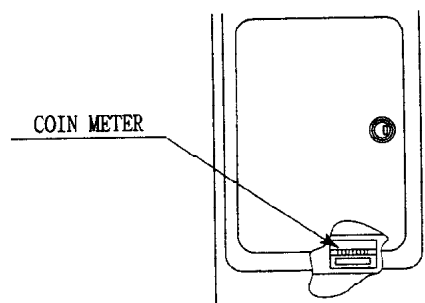
### SWITCH UNIT



- ① **SPEAKER VOLUME (SPEAKERS)**  
Controls the sound volume for the left/right CONTROL PANEL speakers.
- ② **SPEAKER VOLUME (SUPER WOOFER)**  
Controls the sound volume for the SUPER WOOFER and the BASE SHAKER under the seat.
- ③ **TEST BUTTON (TEST SW)**  
Enters to the test mode.
- ④ **SERVICE BUTTON (SERVICE SW)**  
Gives credits without registering on the coin meter.

### COIN METER

Open the Cashbox Door by using the key to have the Coin Meter appear underneath the Cashbox.



COIN METER



## 7 - 2 SYSTEM TEST MODE



IMPORTANT!

- The contents of settings changed in the TEST mode are stored when the TEST mode is finished from EXIT in the MENU mode. If the power is turned off before the TEST mode is finished, the contents of the setting changes do not take effect.
- Executing "BACKUP DATA CLEAR" in the SYSTEM TEST MODE does not clear the BOOKKEEPING data in the GAME TEST MODE.
- Entering the TEST mode clears fractional numbers of coins less than one credit and BONUS ADDER data.

The SYSTEM TEST mode mainly allows checks of the IC Board for accurate functioning , monitor adjustment, as well as CRT TEST and COIN ASSIGNMENTS, etc. The following assignments, however, should be designated for this product.

CABINET TYPE : 1 PLAYER (S)  
MONITOR TYPE : HORIZONTAL  
SERVICE TYPE : COMMON  
COIN CHUTE TYPE : COMMON

### TEST ITEM SELECT

SYSTEM MENU

RAM TEST  
JVS TEST  
SOUND TEST  
C.R.T. TEST  
SYSTEM ASSIGNMENTS  
COIN ASSIGNMENTS  
BOOKKEEPING  
BACKUP DATA CLEAR  
CLOCK SETTING

ROM BOARD TEST  
GAME TEST MODE  
[18 WHEELER]

->EXIT

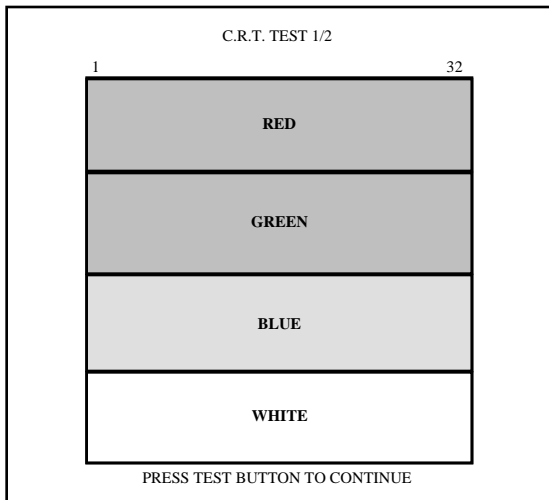
SELECT WITH SERVICE BUTTON  
AND PRESS TEST BUTTON

- ① After turning the power on, press the TEST button to display the test item menu shown above.
- ② Press the SERVICE button to move the arrow to the desired item and press the TEST button.
- ③ When finished, bring the arrow to EXIT and press the TEST button to return to the Game mode.

## A C.R.T. TEST

### 1) RGB COLOR ADJUSTMENT SCREEN

In this screen, monitor color can be checked.

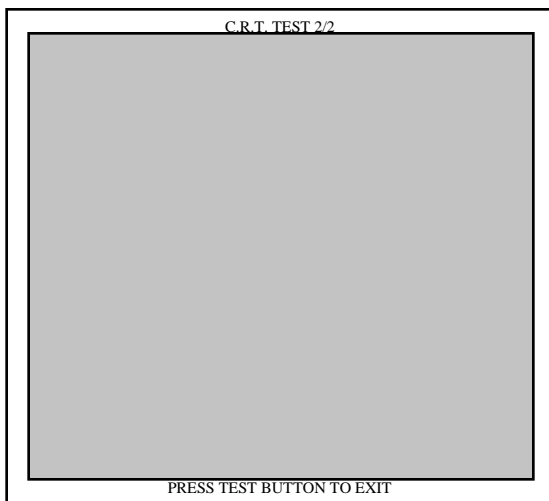


Each of red, green, and blue is the darkest at the leftmost end, and becomes brighter towards the right-hand end in 31 gradations. Monitor brightness is satisfactory if the white color bar is black at the left end and if it is white at the right end.

Press the TEST button to proceed to the next screen.

### 2) MONITOR SIZE ADJUSTMENT SCREEN

In this screen, monitor size can be checked.



Adjust the crosshatch frame line so that the checkered pattern does not extend beyond the screen.

Press the TEST button to return to the menu mode.

## **B** COIN ASSIGNMENTS

The “COIN ASSIGNMENTS” mode permits you to set the start number of credits, as well as the basic numbers of coins and credits. This mode expresses “how many coins correspond to how many credits.”

### SETTING CHANGE PROCEDURE



IMPORTANT!

Setting changes cannot be stored unless the TEST BUTTON is pressed while the arrow is on EXIT.

- ① Press the SERVICE BUTTON to move the arrow to the desired item.
- ② Change the desired item setting by using the TEST BUTTON.
- ③ To return to the MENU mode, move the arrow to EXIT and press the TEST BUTTON.

COIN ASSIGNMENTS	
COIN CHUTE TYPE	COMMON
COIN/CREDIT SETTING	#1
COIN CHUTE #1	
1 COIN 1 CREDIT	(A) (B)
COIN CHUTE #2	
1 COIN 1 CREDIT	
MANUAL SETTING	(C)
SEQUENCE SETTING	(D)
-> EXIT	
SELECT WITH SERVICE BUTTON AND PRESS TEST BUTTON	

(COMMON SETTING)

- (A) COIN CHUTE TYPE (COMMON, INDIVIDUAL)  
Set to COMMON.

Up to 2 Coin Chutes (#1 and #2) can be used and also, (B) COIN/CREDIT SETTING ratio can be set separately for #1 and #2.

- (B) COIN/CREDIT SETTING (#1 ~ #27)  
Sets the credit increase increment per coin insertion. There are 27 settings from #1 to #27, expressed in  $\text{OO}$  credit(s) as against  $\text{OO}$  coins inserted. #27 refers to FREE PLAY.

(C) MANUAL SETTING

The Credit's incremental increase settings as against a coin insertion are shown in further details than in (B) above (refer to Table 2). Also, note that when this MANUAL SETTING is performed, (B) COIN CREDIT setting becomes ineffective.

MANUAL SETTING

<b>COIN ASSIGNMENTS MANUAL SETTING</b>		
COIN TO CREDIT	1	(D)
BONUS ADDER	NO BONUS ADDER	(E)
COIN CHUTE #1 MULTIPLIER		(F)
1 COIN COUNT AS 1 COIN		
COIN	1 2 3 4 5 6 7 8 9	
CREDIT	1 2 3 4 5 6 7 8 9	
COIN CHUTE #2 MULTIPLIER		(F)
1 COIN COUNT AS 1 COIN		
COIN	1 2 3 4 5 6 7 8 9	
CREDIT	1 2 3 4 5 6 7 8 9	
SEQUENCE SETTING		(G)
-> EXIT		
SELECT WITH SERVICE BUTTON AND PRESS TEST BUTTON		

(D) COIN TO CREDIT

Determines COIN/CREDIT setting.

(E) BONUS ADDER

This sets how many coins should be inserted to obtain one SERVICE COIN.

(F) COIN CHUTE (#1/#2) MULTIPLIER

This sets how many tokens one coin represents.

Table 1: COIN/CREDIT SETTING (COIN CHUTE COMMON TYPE)

SETTING	FUNCTION OF CHUTE#1	
SETTING #1	1 COIN	1 CREDIT
SETTING #2	1 COIN	2 CREDITS
SETTING #3	1 COIN	3 CREDITS
SETTING #4	1 COIN	4 CREDITS
SETTING #5	1 COIN	5 CREDITS
SETTING #6	1 COIN	2 CREDITS
SETTING #7	1 COIN	5 CREDITS
SETTING #8	1 COIN	3 CREDITS
SETTING #9	1 COIN	4 CREDITS
SETTING #10	1 COIN	5 CREDITS
SETTING #11	1 COIN	6 CREDITS
SETTING #12	2 COINS	1 CREDIT
SETTING #13	1 COIN	1 CREDIT
SETTING #14	1 COIN	2 CREDITS
SETTING #15	1 COIN	1 CREDIT
	2 COINS	3 CREDITS
SETTING #16	1 COIN	3 CREDITS
SETTING #17	3 COINS	1 CREDIT
SETTING #18	4 COINS	1 CREDIT
SETTING #19	1 COIN	1 CREDIT
	2 COINS	2 CREDITS
	3 COINS	3 CREDITS
	4 COINS	5 CREDITS
SETTING #20	1 COIN	5 CREDITS
SETTING #21	5 COINS	1 CREDIT
SETTING #22	1 COIN	2 CREDITS
SETTING #23	2 COINS	1 CREDIT
	4 COINS	2 CREDITS
	5 COINS	3 CREDITS
SETTING #24	1 COIN	3 CREDITS
SETTING #25	1 COIN	1 CREDIT
	2 COINS	2 CREDITS
	3 COINS	3 CREDITS
	4 COINS	4 CREDITS
	5 COINS	6 CREDITS
SETTING #26	1 COIN	1 CREDITS
SETTING #27	FREE PLAY	

Table 2: MANUAL SETTING

COIN TO CREDIT	1 COIN	1 CREDIT
	2 COINS	1 CREDIT
	3 COINS	1 CREDIT
	4 COINS	1 CREDIT
	5 COINS	1 CREDIT
	6 COINS	1 CREDIT
	7 COINS	1 CREDIT
	8 COINS	1 CREDIT
	9 COINS	1 CREDIT

BONUS ADDER	NO BONUS ADDER
	2 COINS GIVE 1 EXTRA COIN
	3 COINS GIVE 1 EXTRA COIN
	4 COINS GIVE 1 EXTRA COIN
	5 COINS GIVE 1 EXTRA COIN
	6 COINS GIVE 1 EXTRA COIN
	7 COINS GIVE 1 EXTRA COIN
	8 COINS GIVE 1 EXTRA COIN
	9 COINS GIVE 1 EXTRA COIN

COIN CHUTE (#1/#2) MULTIPLIER	1 COIN COUNTS AS 1 COIN
	1 COIN COUNTS AS 2 COINS
	1 COIN COUNTS AS 3 COINS
	1 COIN COUNTS AS 4 COINS
	1 COIN COUNTS AS 5 COINS
	1 COIN COUNTS AS 6 COINS
	1 COIN COUNTS AS 7 COINS
	1 COIN COUNTS AS 8 COINS
	1 COIN COUNTS AS 9 COINS

(G) SEQUENCE SETTING

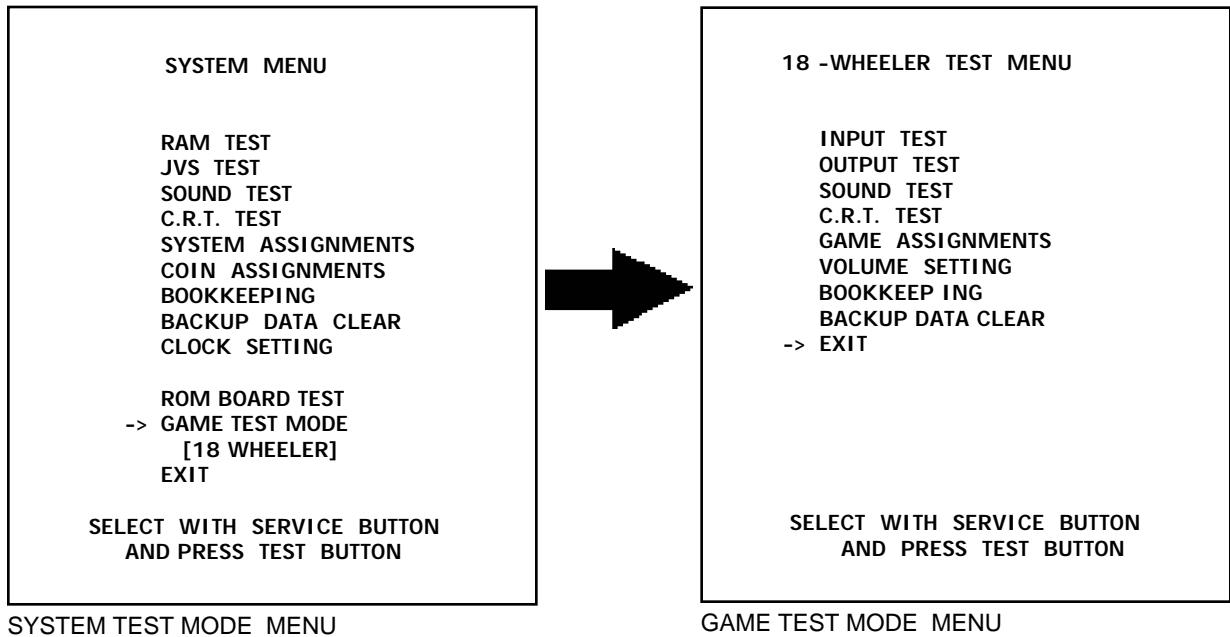
Number of credits required for starting a game, etc. can be set.  
Each sequence can be set between 1 ~ 5 credit(s).

<b>COIN ASSIGNMENTS SEQUENCE SETTING</b>	
SEQUENCE 1	2 CREDIT(S)
SEQUENCE 2	1 CREDIT(S)
SEQUENCE 3	1 CREDIT(S)
SEQUENCE 4	1 CREDIT(S)
SEQUENCE 5	1 CREDIT(S)
SEQUENCE 6	1 CREDIT(S)
SEQUENCE 7	1 CREDIT(S)
SEQUENCE 8	1 CREDIT(S)
EXIT	
[XXXXX XXXXX XXXXX XXXXX]	
<b>DESCRIPTION OF SEQUENCE</b>	
1	CREDIT TO START
2	CREDIT TO CONTINUE
3	NO USE
4	NO USE
5	NO USE
6	NO USE
7	NO USE
8	NO USE
<b>SELECT WITH SERVICE BUTTON AND PRESS TEST BUTTON</b>	

SEQUENCE 1:           Number of credits required for game to start.  
SEQUENCE 2:           Number of credits required for CONTINUE.  
SEQUENCE 3 ~ 8:       NOT USED.

## 7 - 3 GAME TEST MODE

### MENU MODE



- Press the TEST button to display the SYSTEM TEST MODE MENU.
- By pressing the SERVICE button, move the arrow (->) to select the GAME TEST MODE.
- Press the TEST button to enter GAME TEST MODE. The screen displays the GAME TEST MODE MENU.
- By pressing the SERVICE button, move the arrow (->) to select the desired item. Press the TEST button to execute the selected item.
- Select EXIT and press the TEST button to exit from the GAME TEST MODE and return to the SYSTEM TEST MODE MENU. Further, select EXIT and press the TEST button to finish SYSTEM TEST MODE and return to the normal mode.



## A. INPUT TEST

Select INPUT TEST to have the screen shown below appear and to observe the status of each switch on the Control Panel. In this mode, Periodically check the status of each switch.

INPUT TEST	
COIN CHUTE #1	OFF
COIN CHUTE #2	OFF
SERVICE	OFF
TEST	OFF
START	OFF
VIEW	OFF
HORN	OFF
SHIFT [L]	OFF
SHIFT [H]	OFF
SHIFT [R]	OFF
HANDLE	XXH
ACCEL	XXH
BRAKE	XXH

PRESS TEST AND SERVICE BUTTON TO EXIT

- By pressing each switch, if the display on the right-hand side of the name of each switch changes from OFF to ON, the SW and the wiring connections are satisfactory. Operate CONTROL WHEEL, THRUST LEVER, etc. to check Volume value display variation.
- To check COIN CHUTE 1 & COIN CHUTE 2, open the COIN CHUTE DOOR and insert a coin(s) in the slot.
- “HORN” is for the driver seat and the assistant driver seat. Because the same circuit is used for the HORN in both seats, if the switch and the wiring connection are satisfactory, pressing the HORN at either side changes the display from OFF to ON.
- For the steering wheel, the accelerator, and the brake, operate each input device and check to see if the value changes in accordance with operation. Items to be checked :  
 Each switch (COIN/SERVICE/TEST/START/VIEW CHANGE/HORN/SHIFT<H L R>)  
 Each volume (STEERING WHEEL/ACCELERATOR/ BRAKE)
- Press the TEST BUTTON and the SERVICE BUTTON simultaneously to return to the menu screen.

## B. OUTPUT TEST

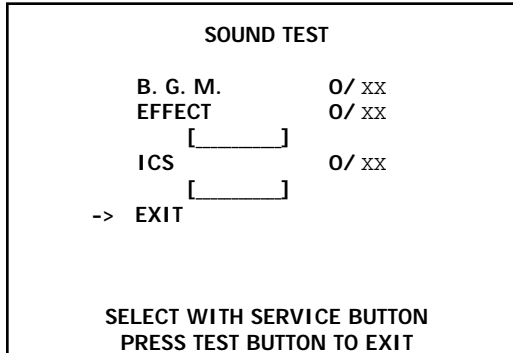
Select OUTPUT TEST to cause the following screen to appear, and to check the status of each lamp and motor. In this mode, periodically check each lamp and motor.

OUTPUT TEST	
START LAMP	OFF
VIEW LAMP	OFF
HORN LAMP	OFF
ROLL LEFT	OFF
ROLL RIGHT	OFF
-> EXIT	
SELECT WITH SERVICE BUTTON AND PRESS TEST BUTTON	

- Using the SERVICE button, bring the arrow to the desired item and press the TEST button. The display next to the item changes from OFF to ON, and the lamp lights up, or the motor functions.  
 LAMP item : If the lamp lights up, operation is satisfactory.  
 ROLL LEFT : If the motor moves so as to turn the steering wheel counterclockwise, operation is satisfactory.  
 ROLL RIGHT : If the motor moves so as to turn the steering wheel clockwise, operation is satisfactory.
- Bring the arrow to EXIT and press the TEST BUTTON to return to the menu screen.

## C. SOUND TEST

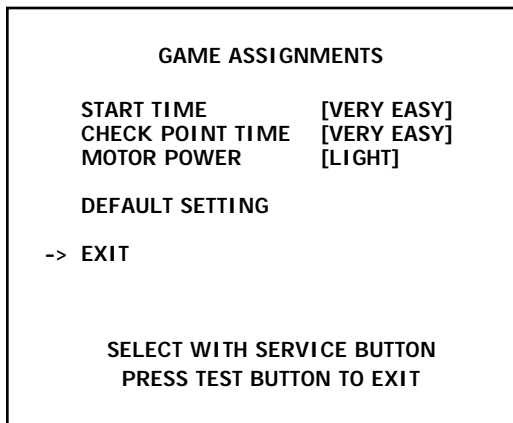
Selecting the SOUND TEST displays the following screen on the monitor. This test mode allows each sound used in the game to be checked.



- Press the SERVICE button to move the arrow and select an item. Every time the TEST button is pressed, a different sound is played.
  - B. G. M. : Sounds used in the game can be played.
  - EFFECT : Sound effects used in the game can be played.
  - ICS : Sound effects in a loop used in the game can be played
- Bring the arrow to EXIT and press the TEST button to return to the MENU screen.

## D. GAME ASSIGNMENTS

Selecting the GAME ASSIGNMENTS in the MENU mode causes the present game settings to be displayed and allows game setting changes (game difficulty, etc.) to be made. After setting changes, be sure to exit from the TEST mode; the settings are not renewed until the TEST mode is exited.

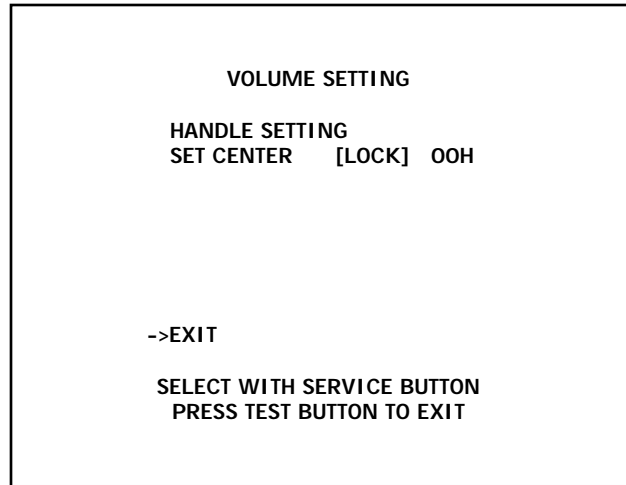


- START TIME : The time limit given to the player at the beginning of the stage can be set. Select from VERY EASY, EASY, NORMAL, HARD, and VERY HARD.
- CHECK POINT TIME : The additional time given to the player when passing the CHECK POINT can be set.
- MOTOR POWER : The feedback stiffness of the steering wheel can be selected from LIGHT, NORMAL, and HEAVY.
- DEFAULT SETTING : This makes each setting return to its default setting.

Bring the arrow to EXIT and press the TEST button to return to the MENU screen.

## E. VOLUME SETTING

Selecting the VOLUME SETTING displays the following screen on the monitor.  
The volume of the detection for the steering wheel operation can be manually set. The value will be stored upon exiting from the item.



### SETTING THE STEERING WHEEL VOLUME

- ① Press the SERVICE button to bring the arrow to SET CENTER.
- ② "SET CENTER [LOCK]" display changes to "SET CENTER [SET]."
- ③ Manually bring the steering wheel to the centering position.
- ④ Press the TEST button. The Volume value obtained at this time is stored as the steering wheel's centering value, and "SET CENTER [LOCK]" is displayed. If the value does not fall within 80+/- 5H at this time, perform volume adjustment by referring to 7-3E (above).

Bring the arrow to EXIT and press the TEST button to return to the MENU screen.

## F. BOOKKEEPING

Selecting BOOKKEEPING in the MENU mode displays the data of the present operating status on 2 pages. Press the TEST button to proceed to the next screen. Pressing the TEST button while the second page is showing returns the screen to the MENU mode.

<b>BOOKKEEPING</b>		<b>1/2</b>
<b>NUMBER OF GAMES</b>		<b>0</b>
<b>NUMBER OF CONTINUE</b>		<b>0</b>
<b>AVERAGE PLAY TIME</b>		<b>00M00S</b>
 <b>PRESS TEST BUTTON TO CONTINUE</b> 		

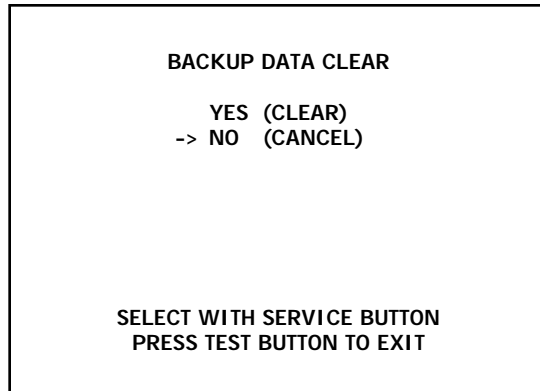
- **NUMBER OF GAMES** : Total number of plays.
- **NUMBER OF CONTINUE** : Total number of continues.
- **AVERAGE PLAY TIME** : Refers to the average game play time.

<b>BOOKKEEPING</b>		<b>2/2</b>
<b>TIME HISTOGRAM</b>		
<b>00M00S - 00M29S</b>	<b>-----</b>	<b>0</b>
<b>00M30S - 00M59S</b>	<b>-----</b>	<b>0</b>
<b>01M00S - 01M29S</b>	<b>-----</b>	<b>0</b>
<b>01M30S - 01M59S</b>	<b>-----</b>	<b>0</b>
<b>02M00S - 02M29S</b>	<b>-----</b>	<b>0</b>
<b>02M30S - 02M59S</b>	<b>-----</b>	<b>0</b>
<b>03M00S - 03M29S</b>	<b>-----</b>	<b>0</b>
<b>03M30S - 03M59S</b>	<b>-----</b>	<b>0</b>
<b>04M00S - 04M29S</b>	<b>-----</b>	<b>0</b>
<b>04M30S - 04M59S</b>	<b>-----</b>	<b>0</b>
<b>05M00S - 05M29S</b>	<b>-----</b>	<b>0</b>
<b>05M30S - 05M59S</b>	<b>-----</b>	<b>0</b>
<b>06M00S - 06M29S</b>	<b>-----</b>	<b>0</b>
<b>06M30S - 06M59S</b>	<b>-----</b>	<b>0</b>
<b>OVER</b>	<b>07M00S</b>	<b>0</b>
 <b>PRESS TEST BUTTON TO EXIT</b> 		

- In Page 2/2, Histogram of Number of Play as against Play Time is displayed.
- By-playtime play frequency bookkeeping is displayed in increments of 30 seconds from 00M00S to 06M59S. Playtime in excess of 7 minutes is displayed all in the category of OVER 07M00S.

## G. BACKUP DATA CLEAR

Selecting the BACKUP DATA CLEAR displays the following screen on the monitor. In the GAME TEST MODE, this allows the contents of BOOKKEEPING and Player Ranking data to be cleared. The COIN/CREDIT related data can be cleared in the BACKUP DATA CLEAR in the SYSTEM TEST MODE.



- When clearing, use the SERVICE BUTTON to bring the arrow to “YES (CLEAR)” and press the TEST BUTTON.
- “YES (CLEAR) COMPLETED” will be displayed, and “COMPLETED” will be flashing. When the data has been cleared, the display will stop flashing. After the data has been cleared, bring the arrow to “NO (CANCEL)” and press the TEST BUTTON to return the screen to MENU mode.
- Note that despite the “clear” execution, the settings of the GAME ASSIGNMENTS and VOLUME SETTINGS do not change.

## 8. HANDLE MECHA



WARNING!

- Be sure to turn power off before performing work, and avoid touching undesignated places. Failure to do so can result in electric shock and short circuit accidents.
- Be careful so as not to damage wirings. Damaged wiring can cause electric shock and short circuit hazards.
- Do not insert hand(s) into the mechanism so as not to cause hand(s) and fingers to be caught. Doing so can result in serious injury.
- When performing work such as parts replacement other than those specified in this manual, be sure to contact the company the product was purchased from and confirm the work procedures and find out any precautions prior to performing the work. Inappropriate parts replacement and/or installing with improper adjustment can cause an overload or the parts to come into contact, resulting in electric shock, short circuit, or fire.



CAUTION!

When putting on the HANDLE MECHA, do not put the gear or the sensor portion face down. Failure to observe this may damage the parts due the weight of the mechanism.



IMPORTANT!

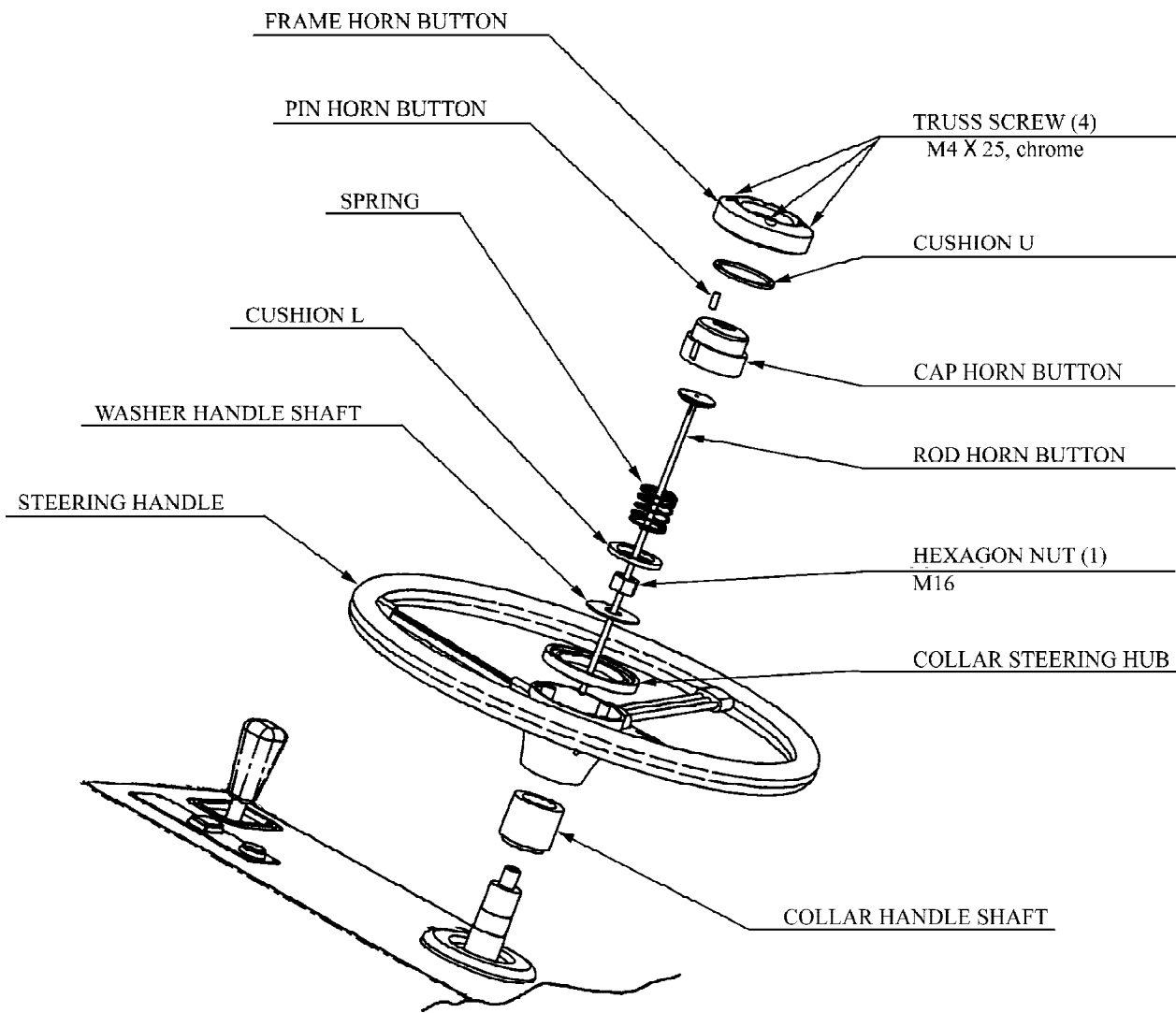
Be sure to perform the Volume value setting under Volume Setting in the Test Mode after replacing or adjusting the Volume.

### 8 - 1 REMOVING THE CONTROL MECHANISM

If the Steering operability is poor and the adjustment of VOLUME SETTING in the TEST mode is ineffective, the cause may be failure of the Volume Gear's mesh and/or Volume malfunctioning. By using the following procedure, adjust the Volume gear mesh, or replace the Volume. In this product, when the Steering Wheel is moved all the way to the left/right, and the Volume shaft rotates within the movable range, then the Volume is probably not damaged. When securing the Volume, be sure the Volume shaft is oriented as shown and the gears are appropriately engaged when the steering wheel is in the center position, allowing the truck to go straight forward.

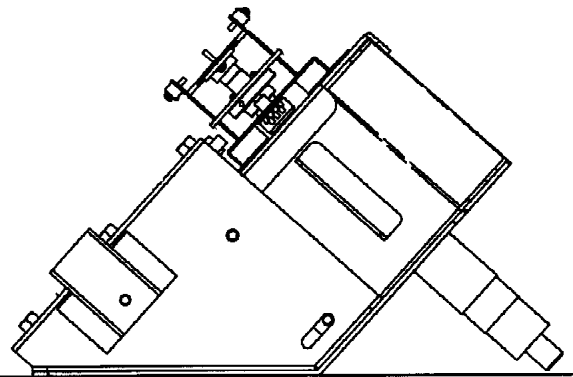
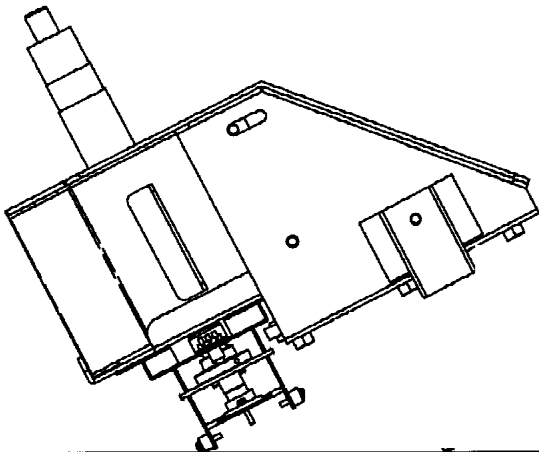
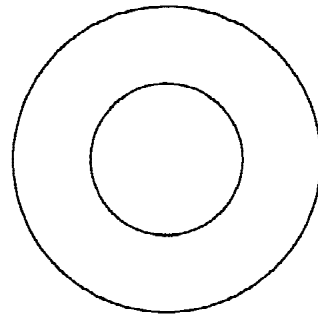
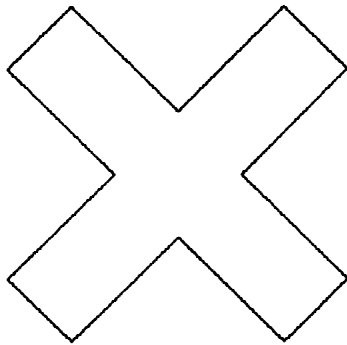
In order to replace or adjust the V.R., remove the HANDLE MECHA as per the following procedure.

- ① Turn the power **off**.
- ② Take out the 4 truss screws at the center of the steering wheel to remove the FRAME HORN BUTTON, CUSHION U and the CAP HORN BUTTON. A small part (called the PIN HORN BUTTON) is attached to the CAP HORN BUTTON. Be sure to keep it.
- ③ Pull out the ROD HORN BUTTON.
- ④ Remove the SPRING and the CUSHION L.
- ⑤ Take out the hexagon nut.
- ⑥ Remove the WASHER HANDLE SHAFT.
- ⑦ Pull the STEERING HANDLE out of the HANDLE SHAFT. The HANDLE and the SHAFT are a nesting of the gear-shaped spline holes and the shaft. Be sure to pull the STEERING HANDLE vertically so as not to damage the shaft.
- ⑧ Remove the COLLAR from the HANDLE SHAFT.



- ⑨ Remove the 4 Tamperproof screws, and the 4 Phillips screws (8 total) on the angled metal plate located in front of and below the control panel. Remove the panel.
- ⑩ Take out the 8 Tamperproof screws to remove the CONTROL PANEL . Use care so as not to damage the wiring inside the CONTROL PANEL COVER. .
- ⑪ Disconnect the 2 connectors inside the CONTROL PANEL, and remove the CONTROL PANEL.
- ⑫ Disconnect the HANDLE MECHA's wire connectors (to the Horn and Start Button)

- ⑬ Remove the HANDLE MECHA. Use **CAUTION** when performing this task.
- ⑭ When setting down the HANDLE MECHA, be sure to have the gear and sensor portions face up. Failure to do so may damage the parts due to the weight of the mechanism.



(may not appear as shown)



## 8 - 2 VOLUME ADJUSTMENT/REPLACEMENT



WARNING!

- Never touch places other than those specified. Touching unspecified places can cause electric shock and/or short circuit.
- After the replacement or adjustment of the VR, be sure to set the variable value of the VR in the test mode's Volume Setting.

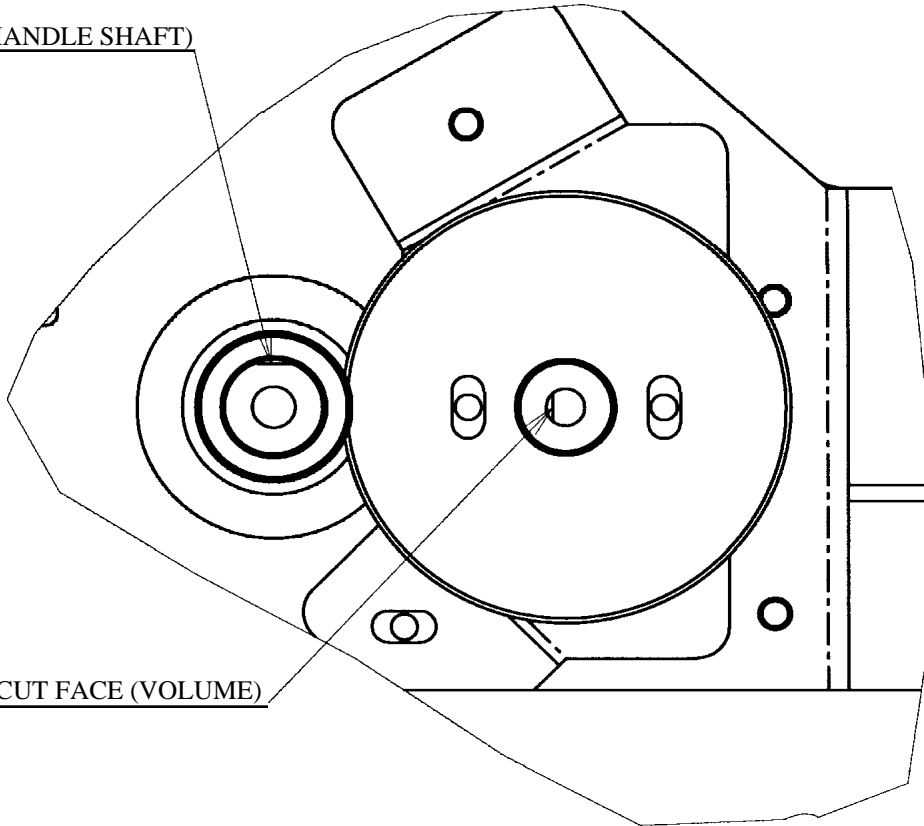
Volume adjustment/replacement should be performed after the HANDLE MECHA has been removed as per 8 - 1.

### ADJUSTMENT

- ① In order to turn the HANDLE SHAFT, insert the STEERING HANDLE into the HANDLE SHAFT.
- ② Secure the HANDLE at the centering position.
- ③ Loosen the 2 screws which secure the VOLUME BRACKET to push the gear out of mesh.
- ④ With the HANDLE SHAFT at the centering position, bring the gear into mesh so that the position of the volume's shaft is as shown in the Fig.
- ⑤ Fasten the screws securing the VOLUME BRACKET.
- ⑥ After the work is finished, perform Volume Setting in the Test mode.

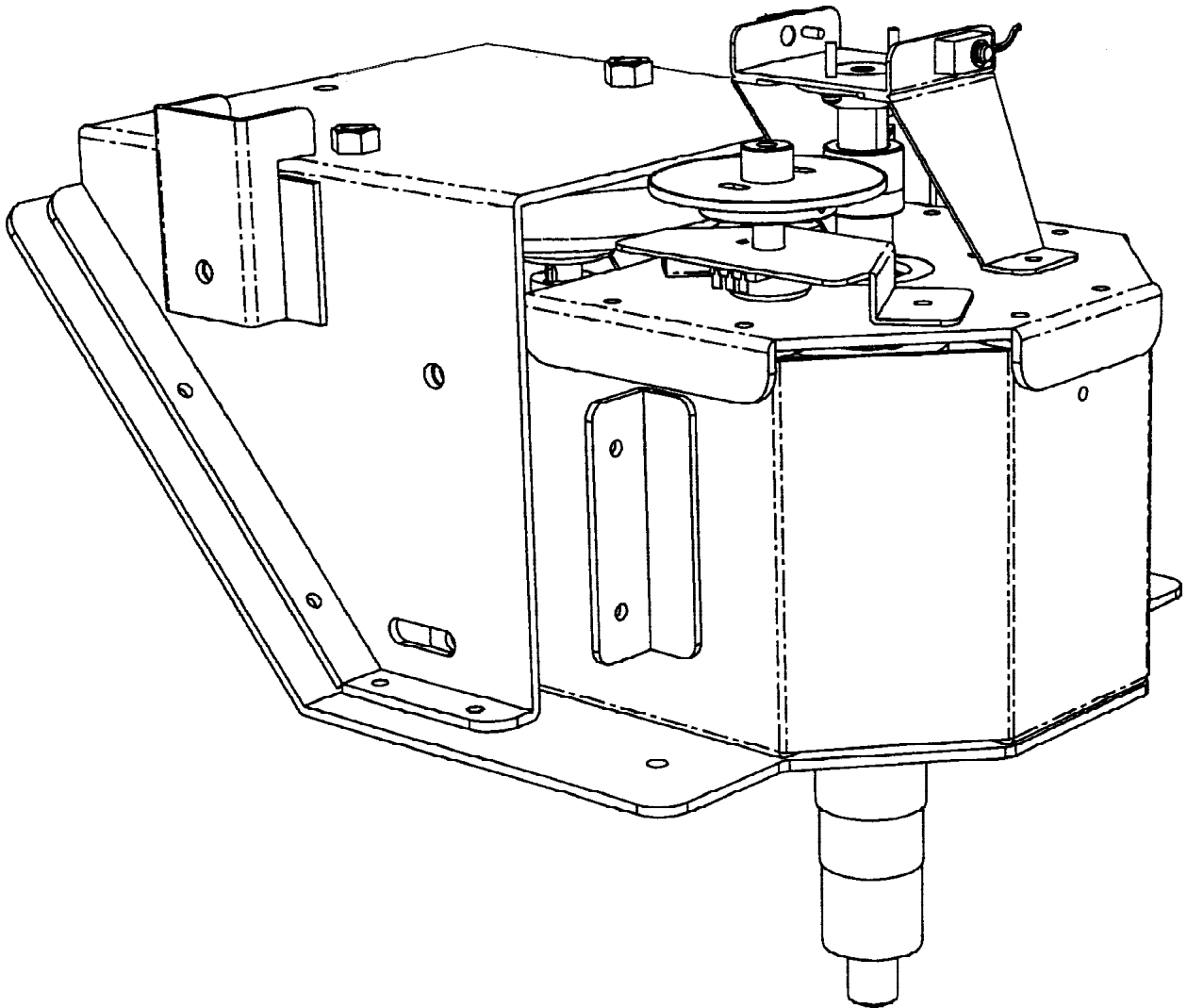
"D" CUT FACE (HANDLE SHAFT)

"D" CUT FACE (VOLUME)



## REPLACEMENT

- ① Disconnect the wiring connector.
- ② Take out the 2 screws which secure the VOLUME BRACKET to remove the BRACKET together with the Volume.
- ③ Take out the 2 screws, remove the Volume Gear, and replace the Volume.
- ④ With the HANDLE SHAFT at the centering position, bring the gear into mesh so that the position of the volume's shaft is as shown in the Fig.
- ⑤ Fasten the screws securing the VOLUME BRACKET.
- ⑥ After the work is finished, perform Volume Setting in the TEST mode.



MAY NOT APPEAR AS SHOWN

## 9. SHIFT LEVER



WARNING!

- In order to prevent electric shock and short circuit, be sure to turn off the power before performing work on the interior parts of the product.
- Be careful not to damage wiring. Damaged wiring can cause electric shock or short circuit.
- Do not touch places other than those specified. Touching unspecified places can cause an electric shock or short circuit.

If the Shift Lever operation is not satisfactory, remove the Shift Lever according to the following procedure and replace the microswitch.

### 9 - 1 REMOVING THE SHIFT LEVER

- ① By following “8-1 REMOVING THE HANDLE MECHA”, turn the power off, remove the STEERING HANDLE, and remove the CONTROL PANEL COVER.
- ② Take out the 4 Hexagon Bolts.

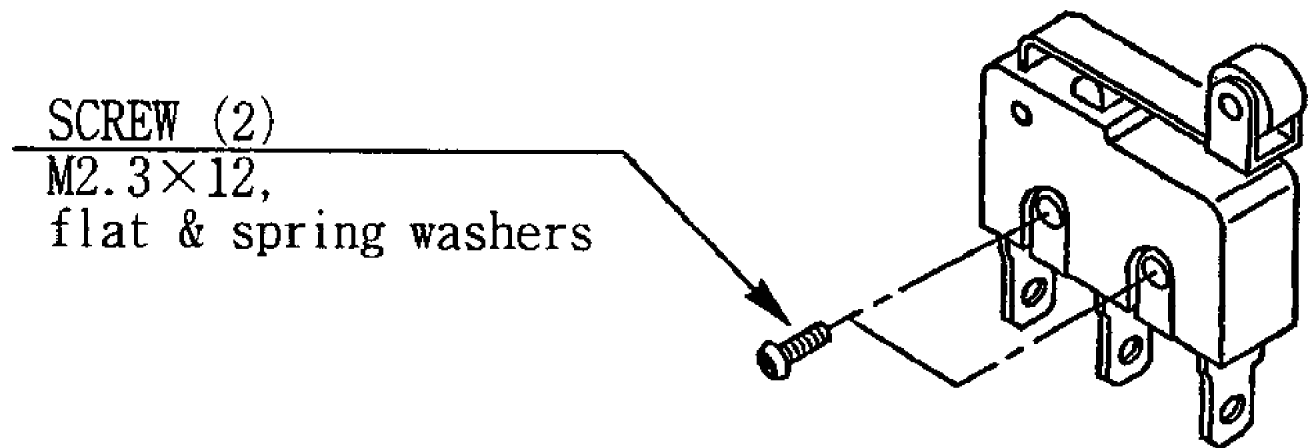


- ③ Pull up the SHIFT LEVER slowly until the 2 wiring connectors can be seen.
- ④ Disconnect the 2 connectors.



## 9 - 2 SWITCH REPLACEMENT

Each Microswitch is secured with 2 screws. Remove the 2 screws and replace the Microswitch.



After replacing the Switch, check its status in the Test Mode.

## 10. ACCELERATOR & BRAKE



- Be sure to turn power off before performing work, and avoid touching undesignated places. Failure to do so can result in electric shock and short circuit accidents.
- Be careful so as not to damage wirings. Damaged wiring can cause electric shock and short circuit hazards.
- When performing work such as parts replacement other than those specified in this manual, be sure to contact the company the product was purchased from and confirm the work procedures and find out any precautions prior to performing the work. Inappropriate parts replacement and/or installing with improper adjustment can cause an overload or the parts to come into contact, resulting in electric shock, short circuit, or fire.



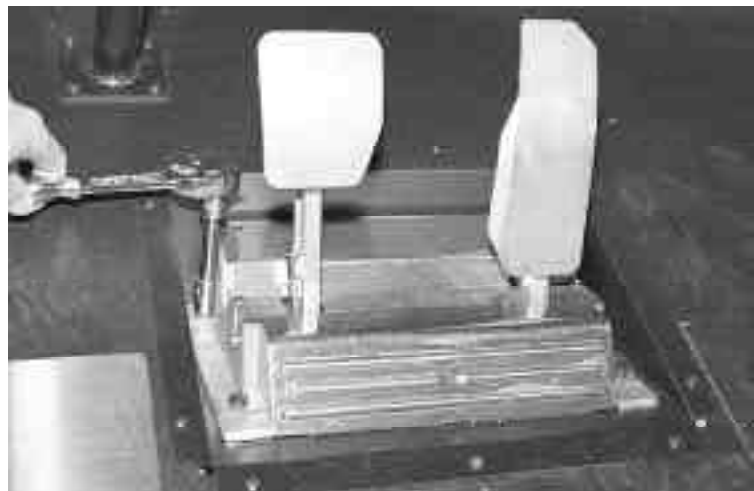
After having performed the adjustment or replacement of the volume, be sure to check the variation of the volume value under INPUT TEST in the test mode.

If Accel and Brake operation is not satisfactory, adjustment of Volume installation position or Volume replacement is needed. Also, be sure to apply greasing to the gear mesh portion once every 3 months.

### 10 - 1 REMOVING THE ACCELERATOR AND THE BRAKE

A socket wrench for M6 Hexagon bolts and an extension tool are necessary to remove the accelerator and the brake, in order to perform maintenance. When removing, be careful not to damage wiring or wiring connector inside the accelerator and the brake.

- ① Turn power off.
- ② Apply the extension tool to the socket wrench. Remove the 4 Hexagon bolts which secure the accelerator and the brake.
- ③ The two wire connectors are connected to the accelerator and the brake. Disconnect the connectors, and the accelerator and the brake can be removed. Since this work is performed inside the energized cabinet, be very careful not to touch undesignated parts.



## 10 - 2 ADJUSTING OR REPLACING THE VOLUME

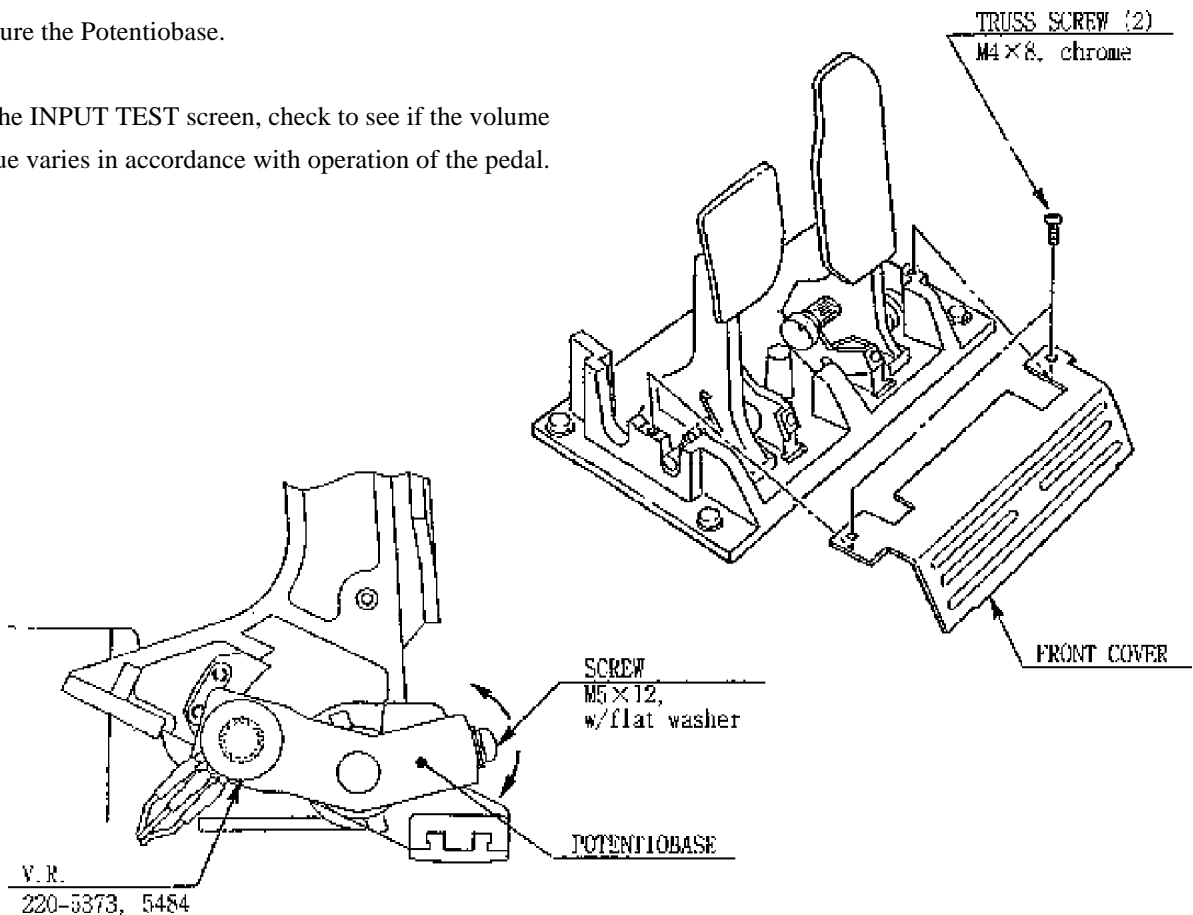
	When released:		When stepped on:
ACCEL. :	Under 30 H	↔	Over C0H
BRAKE :	Under 30 H	↔	Over C0H

Check Volume values in the Test Mode.

*Since work is performed inside the energized cabinet, be very careful not to touch undesigned portions. Touching places not specified can cause electric shock or short circuit.*

### ADJUSTMENT

- ① Take out the 2 truss screws and remove the Front Cover from the Accel. & Brake unit.
- ② Loosen the screw which secures the Potentiobase, and adjust the Volume Value by moving the Base.
- ③ Secure the Potentiobase.
- ④ In the INPUT TEST screen, check to see if the volume value varies in accordance with operation of the pedal.



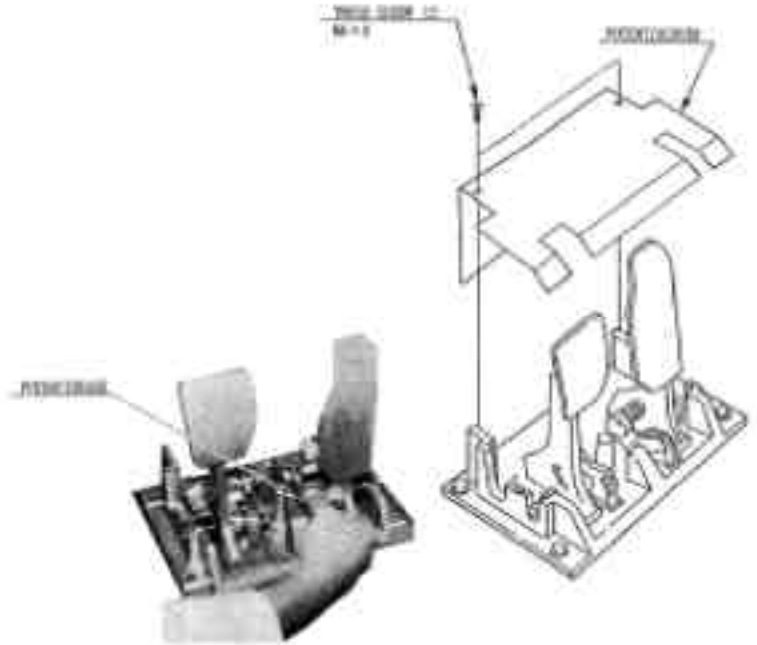
## REPLACEMENT



WARNING!

Be sure to turn the power off first, before performing work, and avoid touching unspecified places. Failure to do so can cause electric shock and/or short circuit.

- ① Turn power off.
- ② Take out the 2 truss screws and remove the Potentiocover.
- ③ Disconnect the connector of the volume to be replaced.
- ④ Remove the screw which secures the Potentiobase.
- ⑤ Remove the Potentiobase together with the volume attached.
- ⑥ Remove the base and the gear to replace the volume.
- ⑦ After replacing, check to see if the volume value varies in accordance with operation of the pedal.



## 10 - 3 GREASING



WARNING!

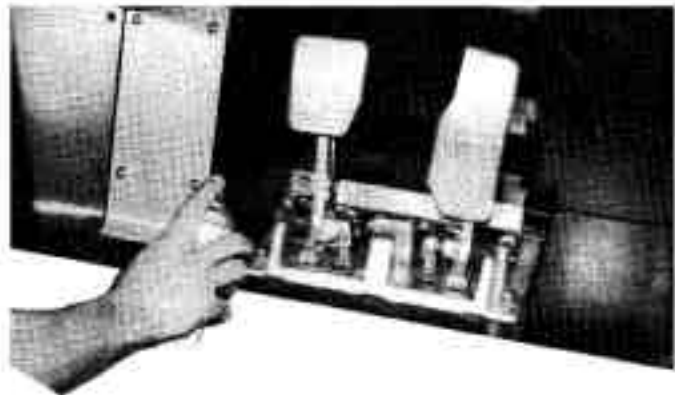
Be sure to turn the power off first, before performing work, and avoid touching unspecified places. Failure to do so can cause electric shock and/or short circuit.



IMPORTANT!

- Be sure to use the designated grease. Using undesignated grease can cause parts damage
- Do not apply greasing to undesignated places. Doing so can cause malfunctioning or quality deterioration of parts.

Apply greasing to the following portions once every three (3) months.  
For Spray Grease, use NOK GLUBER L60 or GREASE MATE (Part No. 090-0066).



# 11 . COIN SELECTOR

## HANDLING THE COIN JAM

If the coin is not rejected when the REJECT BUTTON is pressed, open the coin chute door and open the selector gate. After removing the jammed coin, put a normal coin in and check to see that the selector correctly functions.

## CLEANING THE COIN SELECTOR

The coin selector should be cleaned once every 3 months. When cleaning, follow the procedure below:

- ① Turn the power for the machine OFF. Open the coin chute door.
- ② Open the gate and dust off by using a soft brush (made of wool, etc.).
- ③ Remove and clean smears by using a soft cloth dipped in water or diluted chemical detergent and then squeezed dry.
- ④ Remove the CRADLE. When removing the retaining ring(E-ring), be very careful so as not to bend the shaft.
- ⑤ Remove stain from the shaft and pillow portions by wiping off with a soft cloth, etc.
- ⑥ After wiping as per #5 above, further apply a dry cloth, etc. to cause the coin selector to dry completely.

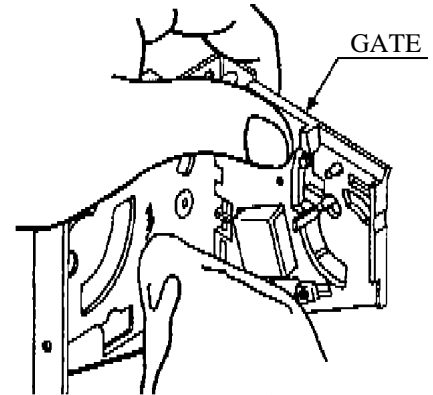


FIG. 11a

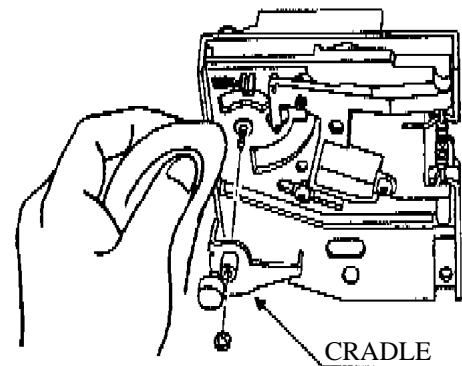


FIG.11b



IMPORTANT!

- Never apply machine oil, etc. to the coin selector
- After cleaning the Coin Selector, Insert a regular coin during the normal working status and ensure that the Selector functions correctly.

## COIN INSERTION TEST

Once a month, when performing the COIN SW TEST, simultaneously check the following:

- Does the Coin Meter count satisfactorily?
- Does the coin drop into the Cashbox correctly?
- Is the coin rejected when inserted while keeping the REJECT BUTTON is pressed down?

Insert a coin while keeping the Reject Button pressed down and check if it is rejected.

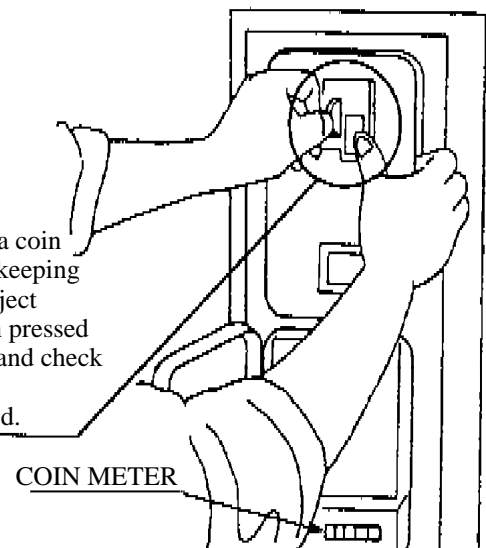


FIG. 11c



## OPTIONAL DOLLAR BILL ACCEPTOR

- THE COIN DOOR ASSEMBLY USED ON 18 WHEELER STD TYPE COMES EQUIPPED TO ACCEPT A DOLLAR BILL ACCEPTOR. ALL NEEDED WIRING CONNECTIONS ARE CONVENIENTLY LOCATED INSIDE THE GAME FOR THIS APPLICATION.
- THE COIN DOOR CAN ACCCOMMODATE THE FOLLOWING VALIDATOR(S):

FORWARD-MOST  
HOLE POSITION

Mars 2000 series

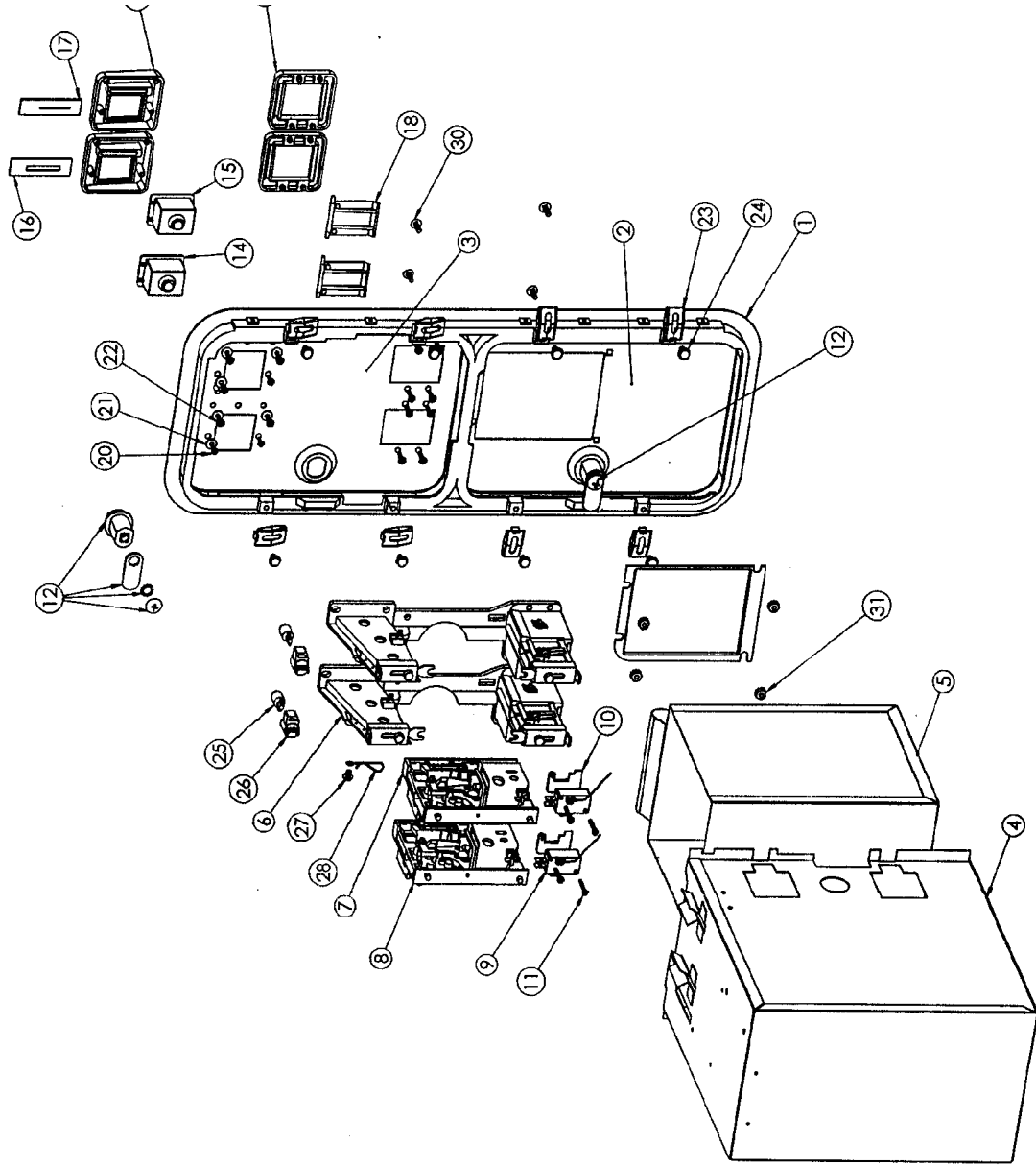
\*\*42-1155-00 MARS VALIDATOR \$1, 2, 5 300 CAP

The frame and cashbox enclosure on this coindoor has been modified to accomodate a Mars 2000 series upstacker. A 2000 series stacker can be added by simply removing the cut-out plate. This one entry door can be ordered through Happ Controls or one of Happ Controls authorized distributors. The part number is 40-6000-10EX. The Mars stacker can be obtained through an atherized Mars distibutor.

\*\*Happ part number

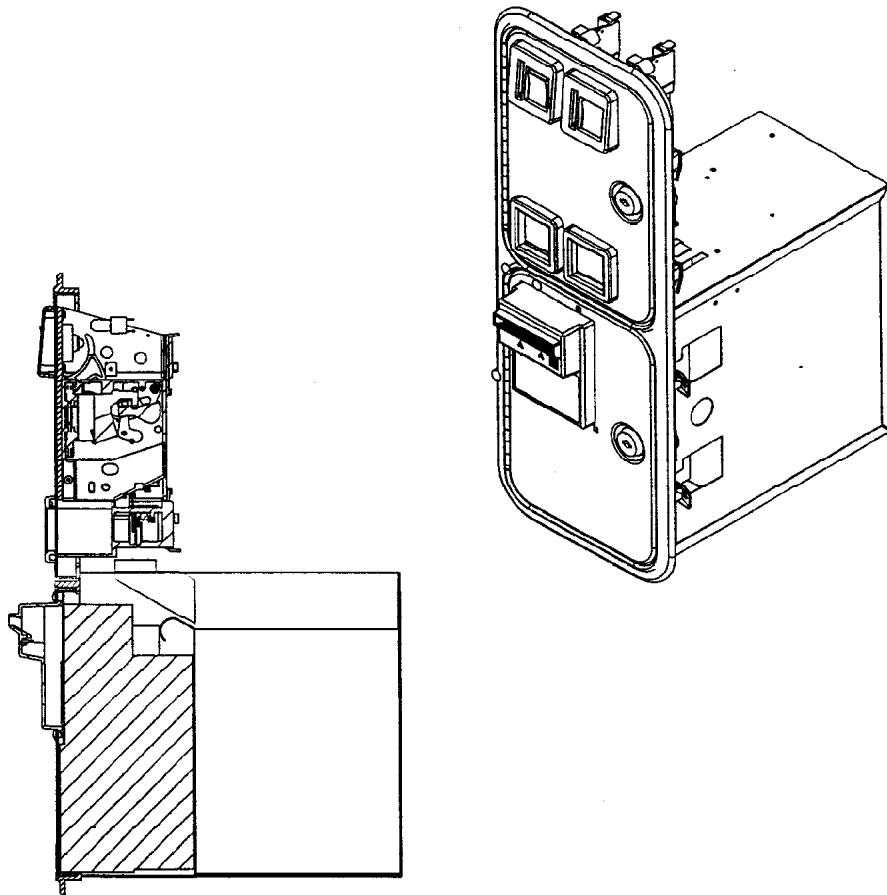
DRAWING NO.  
**40-6000-10EX**

ITEM NO.	QTY.	PART NO.	DESCRIPTION
1	1	42-8174-10	FRAME O/U DWN STICK VAL ON LW DR
2	1	42-8178-00	DOOR SMALL O/U F/DWN STICK VAL
3	1	42-7201-00	DOOR SMALL 2 ENTRY W/PEM STUD
4	1	42-8176-00	COINBOX ENCLOSURE O/U DR W/DWNSTICK VAL
5	1	42-8177-00	COINBOX METAL O/U DR W/VAL ON LW DR
6	2	42-7355-00	MECH HOLDER
7	1	42-3079-00	COIN MECH ULTIMECH
8	1	42-7466-00	COIN MECH FOR 28MM/1.10 TOKEN
9	2	42-7087-00	SWITCH ASSEMBLY
10	2	42-3286-00	SWITCH PLATE
11	4	43-0136-00	SCREW #4 X 3/16
12	2	42-0641-100	LOCK ASSEMBLY
13	2	42-0231-00	ENTRY BEZEL
14	1	42-0695-05	\$1.00 REJECT BUTION ASY., YELLOW
15	1	42-1044-00	REJECT BUTTON, HAPP
16	1	42-0405-04	COIN RESTRICTOR, 27MM
17	1	42-0405-00	COIN ENTRY RESTRICTOR
18	2	42-0119-00	RETURN DOOR FLAP
19	2	42-0232-00	RETURN BEZEL
20	4	43-1003-00	SCREW, PLASTIC #4 X .42
21	6	43-1002-00	WASHER, FLAT #6
22	12	48-1000-00	SCREW FOR BEZEL
23	8	42-0288-00	DOOR CLIP
24	8	43-0047-00	SCREW, M5 X 10MM HEX WASHER HD
25	2	91-1319-00	LAMP #555 6.3V
26	2	42-0351-00	LAMP HOLDER
27	1	42-0065-00	SCREW 8 X 1/4
28	1	42-0069-00	KEY HOOK
29	1	42-0526-00	BLANKING PLATE
30	4	43-0021-00	CARRIAGE BOLT 8-32 X 1/2
31	4	42-0082-00	NUT, KEPS 8-32



NOTE:  
KEY IS PART OF 42-0641-100, NOT SHOWN

\*\*Coin door shown with optional dollar bill validator insered\*\*



## 12. MONITOR

### 12 - 1 CAUTIONS AND WARNINGS CONCERNING THE SAFETY FOR HANDLING THE MONITORS



**CAUTION!**

When performing such work as installing and removing the monitor, inserting and disconnecting the external connectors to and from monitor, be sure to disconnect the power connector (plug) before starting work. Proceeding the work without following this instruction can cause electric shock or malfunctioning.

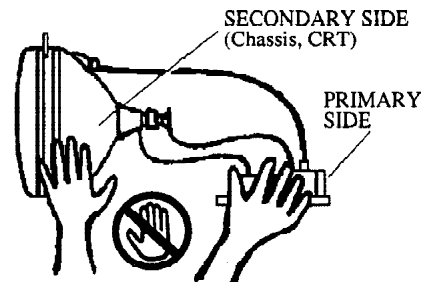
Using the monitor by converting it without obtaining a prior permission is not allowed. SEGA shall not be liable for any malfunctioning and accident caused by said conversion.



**WARNING!**

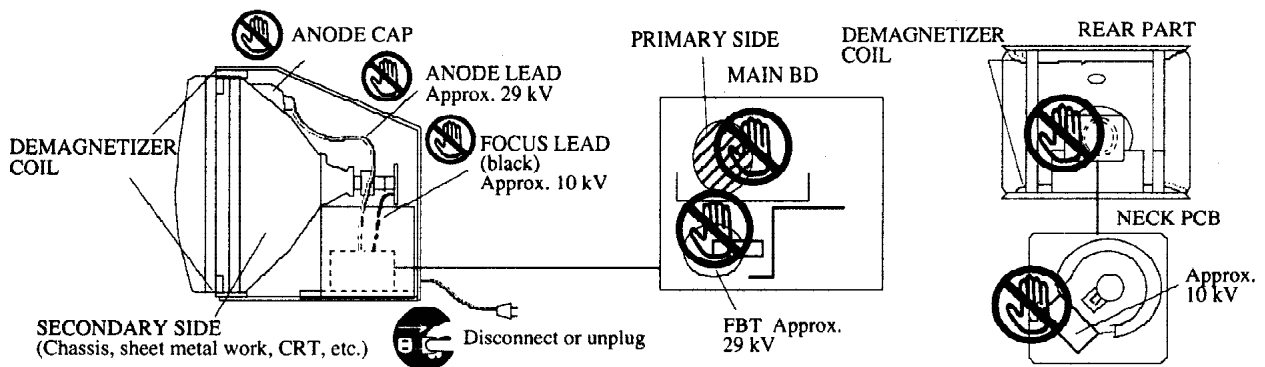
#### Primary side and secondary side

The monitor's circuit which is divided into the Primary side and secondary side, is electrically isolated. Do not touch the primary side and the secondary side simultaneously. Failing to observe the instruction can cause electric shock, and this is very dangerous. When making monitor adjustments, use a non-conductive driver and make adjustment without touching any other part other than the Adjustment V.R. and Knob. Also, be sure not to cause a short-circuit to the Primary side and the Secondary side. If short-circuited, it can cause electric shock or malfunctioning, which is very dangerous.



#### High tension Voltage

Some of the parts inside the monitor are subject to high-tension voltage in excess of 20,000 volts and very dangerous. Therefore, do not touch the monitor interior. Should soldering & paper wastes, etc. be mixed in the monitor, turn the power off so as not to cause malfunctioning or fire hazard.



#### Connecting the CRT and PCB

For combining the CRT and PCB, use the specified part No. to maintain the status of adjustments made at the factory. The anode of the CRT itself will be accumulatively charged as time elapses, generating high tension voltage which is very dangerous. The monitor should be used with the Chassis, CRT and PCB assembled. When repair, etc. is required at the time of malfunctioning, be sure to send it in an "as assembled" condition. If these are disassembled, what's charged to said high tension voltage can be discharged, causing a very hazardous situation. Therefore, under no circumstances should it be disassembled.



**CAUTION!**

#### Static Electricity

Touching the CRT surface sometimes causes you to slightly feel electricity. This is because the CRT surfaces are subject to static and will not adversely affect the human body.

#### Installation and removal

Ensure that the Magnetizer Coil, FBT (Fly-Back Transformer), Anode Lead and Focus Lead are not positioned close to the sheet metal work's sharp edges, etc. and avoid damaging the insulated portions so as not to cause an electric shock and malfunctioning. (For the name of parts, refer to the above figures.)



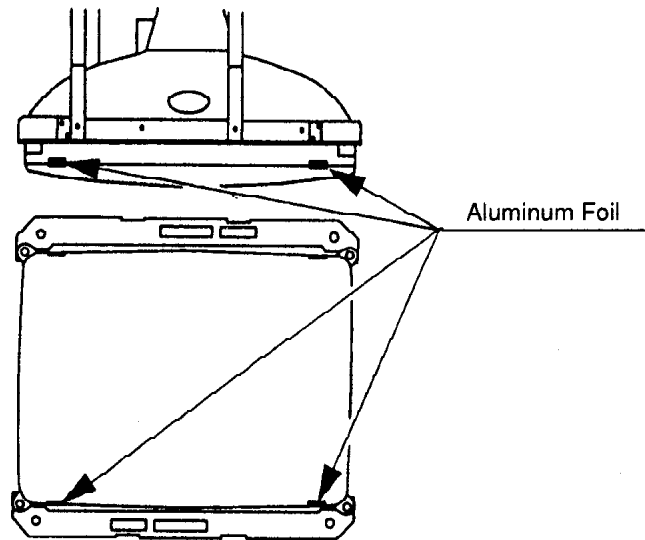
CAUTION!

For the purpose of static prevention, special coating is applied to the CRT face of this product. To protect the coating, pay attention to the following points. Damaging the coating film can cause electric shock to the customers. For the caution to be heeded when clearing, refer to the Section of Periodic inspection Table.

Do not apply or rub with a hard item (a rod with pointed edge, pen, etc.) to or on C.R.T. surfaces.

Avoid applying stickers, seals, etc. on the C.R.T. face.

Do not remove aluminum foils from the C.R.T. corners. Removing the aluminum foils can cause static prevention effects to be lowered.



CAUTION!

Monitor adjustments have been made at the time of shipment. Therefore do not make further adjustment without a justifiable reason. Adjusting the monitor which contains high tension parts is dangerous work. Also, an erroneous adjustment can cause deviated synchronization and image fault, resulting in malfunctioning.

When making adjustment, utilize a resinous Alignment Rod. Servicing with bare hands or using conductive tools can cause electric shock.

## 12 - 2 CAUTIONS TO BE HEDED WHEN CLEANING THE CRT SURFACES



CAUTION!

Static preventive coating is applied to the CRT surfaces. Peeling off this coating can cause electric shock. When cleaning, pay attention to the following points:

- Remove smears by using a dry, soft cloth (flannels, etc.). Do not use a coarse gauze, etc.
- For smear removing solvent, alcohol (ethanol) is recommended. When using chemical detergent, e sure to folow instructions below:
  - Dilute chemical detergent with water and dip a soft cloth in and then thoroughly wring it to wipe smears off.
  - Do not use a chemical detergent containing an abrasive, powder or bleaching agent.
  - Do not use alkaline chemical detergents such as "glass cleaner" available on the market or solvents such as thinner, etc.
- Do not rub or scratch the CRT face with hard items such as scrub brushes, etc.

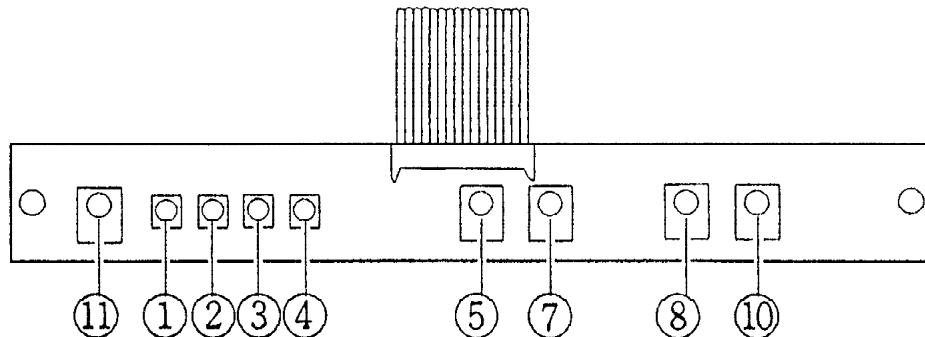
Clean the CRT surfaces once a week. When cleaning, pay attention to the above cautions so that the antistatic coating will not come off.

## 12 - 3 ADJUSTMENT METHOD

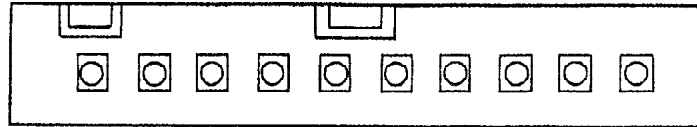


- Monitor adjustments are made at the time of shipment. Therefore, do not make further adjustments without a justifiable reason. Adjusting a monitor which contains high tension parts is dangerous work. Also, an erroneous adjustment can cause deviated synchronization and image fault, resulting in malfunction.
- When making adjustments, utilize a resinous Alignment Rod. Servicing with bare hands or using tools made of conductive material can cause electric shock.

NANAO monitor: 2 0 0 - 5 2 4 2 - 2 4 - 0 4 (24K mode)



SANWA monitor: 2 0 0 - 5 2 4 3 - 2 4 (24K mode)



① ② ③ ④ ⑤ ⑥ ⑦ ⑧ ⑨ ⑩

R GAIN G GAIN B GAIN BRIGHT H SIZE H HOLD H POSI V SIZE V HOLD V POSI

- ① R-GAIN
- ② G-GAIN ..... Controls colors.
- ③ B-GAIN
- ④ BRIGHT ..... Controls screen brightness.
- ⑤ H. SIZE ..... Controls horizontal screen size.
- ⑥ H. HOLD ..... Provides horizontal synchronization, i.e., controls right/left hold.
- ⑦ H. POSI ..... Controls horizontal display position on screen.
- ⑧ V. SIZE ..... Controls vertical screen size.
- ⑨ V. HOLD ..... Provides vertical synchronization, i.e., controls up-down hold.
- ⑩ V. POSI ..... Controls vertical display position on screen.
- ⑪ CONTRAST .... Adjusts image contrast.

## 13. REPLACING THE FLUORESCENT LAMP AND BUTTONS



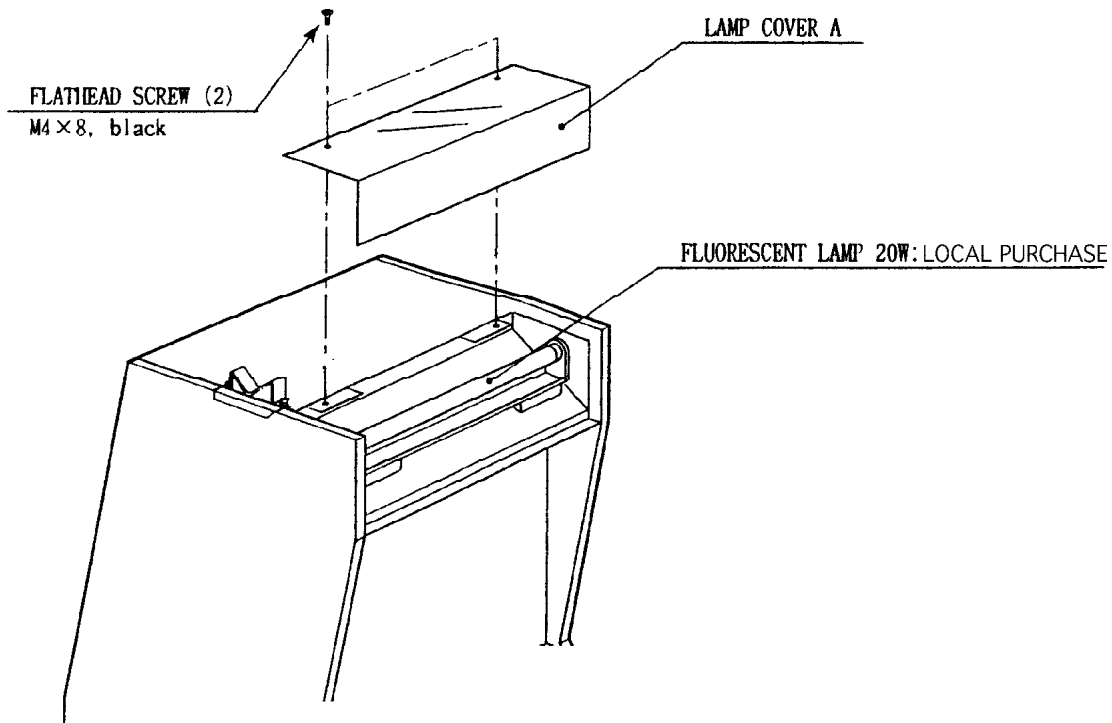
- When performing the work, be sure to turn power off. Working with power on can cause an electric shock or short circuit accident.
- The Fluorescent Lamp, when it gets hot, can cause burns. Be very careful when replacing the Fluorescent Lamp.



To perform work safely and securely, be sure to use a step which is in a secure and stable condition. Not using a step or using an unstable step can cause violent falling accidents.

### THE FLUORESCENT LAMP

- ① Take out the 2 Truss Screws and remove the Plate Holder.
- ② Lower the Billboard Plate and replace the Fluorescent Lamp.



### START BUTTON AND VIEW CHANGE BUTTON

Use care so as not to damage the wiring connection inside the start button and the view change button.

- ① Turn power off.
- ② Take out the 4 truss screws.
- ③ Disconnect the connector attached to the start button and view change button, and the VR BUTTON START AND VIEW 1 can be removed.

- ④ The lamp is on the PCB side. Turn the metallic parts of the 2 buttons, unlock and remove the PCB from the buttons.



- ⑤ With the lamp pressed down, turn it counterclockwise to remove.





## 14. PERIODIC INSPECTION TABLE

The items listed below require periodic checks and maintenance in order to retain the performance of this machine and ensure safe operation.



**WARNING!**

- Be sure to check once a year to see if Power Cords are damaged, the Plug is securley inserted, dust is accumulated between the Socket Outlet and the Power Plug, etc. Using the product when dust has accumulated can cause a fire or electrical shock.
- Once a year, request an interior cleaning from the place of contact stated herin or from the Distributer from which the product was purchased. Using the product when dust has accumulated in the interior can result in a fire or short circuit accident. Note that cleaning the interior parts can be performed on an individual pay-basis.

	Item	Interval
CABINET	Check Adjusters' contact with surface.	Daily
HANDLE MECHA	Check lamp.	Monthly
	Check VOLUME VALUE.	Monthly
	Check ADJUST GEAR engagement.	Trimonthly
	Greasing of GEAR.	Trimonthly
ACCEL. & BRAKE	Check VOLUME value.	Monthly
	Check ADJUST GEAR engagement.	Trimonthly
	Gear and Spring portion greasing.	Trimonthly
SHIFT LEVER	Check switches.	Monthly
COIN CHUTE TOWER	Check COIN SW.	Monthly
	Coin insertion test.	Monthly
	Cleaning of COIN SELECTOR.	Trimonthly
MONTTOR	Check adjustments.	Monthly or when moving.
	Cleaning of CRT surfaces.	Weekly
SEAT	Antistatic measures	Bimonthly
GAME BD	MEMORY TEST.	Monthly
	Check settings.	Monthly
Cabinet surfaces	Cleaning	As occasion arises.
INTERIOR	Cleaning	Annually
POWER SUPPLY PLUG	Inspection and cleaning	

### CLEANING CABINET SURFACES

If the cabinet is badly stained, use a cloth which is dipped in the chemical detergent liquid diluted with water and then squeezed dry. Do not use thinner, benzine, alcohol or chemical dustcloths, as these can damage the Cabinet surfaces.

## 15. TROUBLESHOOTING

Should trouble occur, first check connector connections.

PROBLEMS	CAUSE	COUNTERMEASURES
With Main SW ON, no activation	Power is not supplied. Power supply/voltage is not correct. AC main fuse causes the power to be cut off due to momentary overload.	Plug in correctly Make sure that power supply/voltage is correct. Check fuse. Remove the cause of overload and replace fuse
Operation is unsatisfactory	Volume Setting Failure Poor mesh of V.R. gear. Spring failure due to secular change of Accelerator and Brake Mecha.	Perform Volume setting Adjust or replace V.R. Adjust Gear mesh.. Replace the Spring.
Irregular sound emitted from inside Rear Cabinet	Greasing to gear mesh portion is not satisfactory, or extraneous matter mixed in.	Apply greasing or eliminate extraneous matter.
No sound is emitted.	Sound Volume adjustment is not appropriate. Sound BD and speaker are malfunctioning.	Adjust sound volume. (see Chapter 7-1). Perform sound test to find and replace defective parts.(Refer to Chapter 7-3E).
No sound from Cockpit.	In correct Cabinet Type Setting.	Correct Cabinet Type Setting.
The Fluorescent lamp does not light up.	The Fluorescent tube is burnt out.	Replace the Fluorescent tube (Refer to Section 11).
Shift lever does not operate satisfactorily.	Shift SW malfunctioning.	Replace SW
Operation of Accel. and Brake Pedals are not satisfactory.	V.R. malfunctioning. Adjust Gear not engaged properly.	Replace the V.R. Adjust the engagement of the Adust Gear.

## 16. GAME BOARD



WARNING!

- In order to prevent an electrical shock, be sure to turn power off before performing work.
- Be careful so as not to damage wirings. Damaged wiring can cause an electric shock or short circuit accident.



CAUTION!

In this product, setting changes are made during the test mode. The Game BD need not be operated. Use the Game BD, etc. with the same settings made at the time of shipment. **Do not expose the Game BD, etc. without good reason.**

### 16-1 LOCATING THE GAME BOARD

- ① Turn power off.
- ② Take out a total of 6 Truss Screws and unlock to remove the Seat.
- ③ The GAME BOARD is located at the position shown in the photo below.



Use two or more persons when performing work.

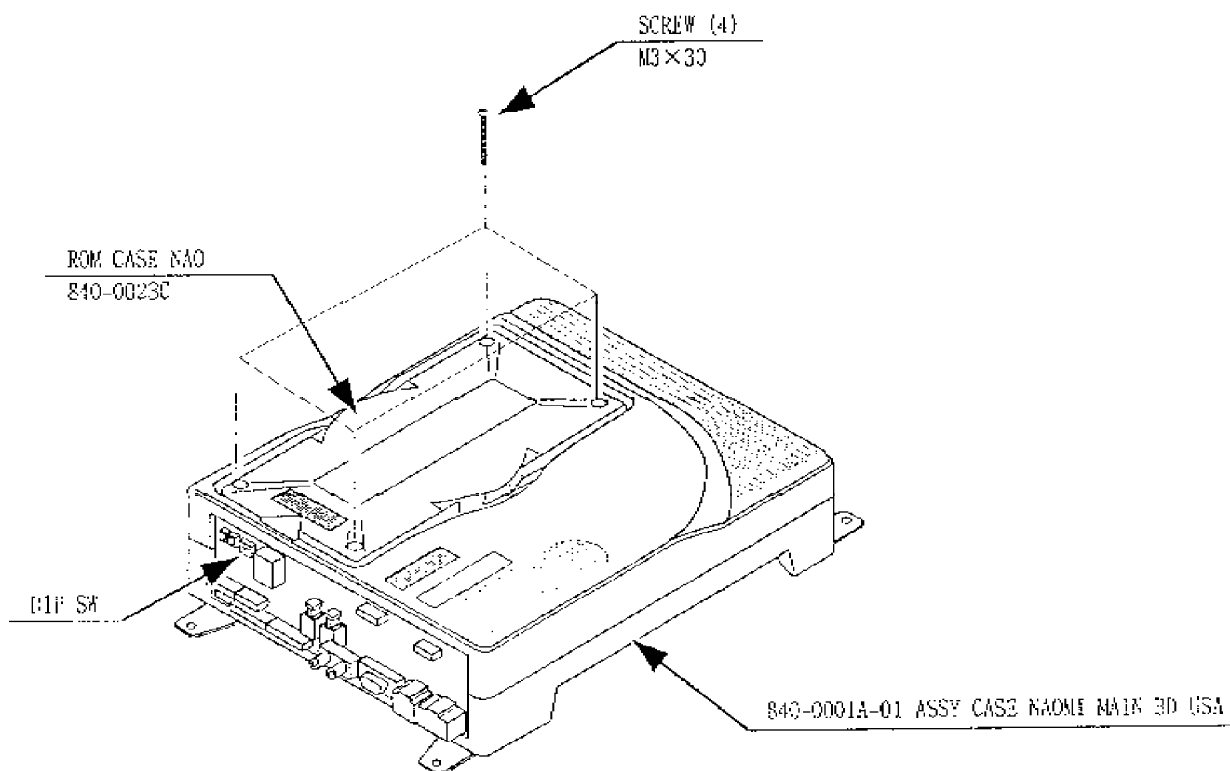
## 16 - 2 COMPOSITION OF GAME BOARD



IMPORTANT!

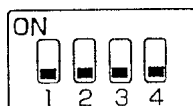
Be sure to use the specified settings for the DIP SWes on the Filter Board. Failure to do so may cause irregularities or malfunctioning, such as unsatisfactory images displayed on the screen.

ASSY CASE NAO PTR USA (840-00023D-01)

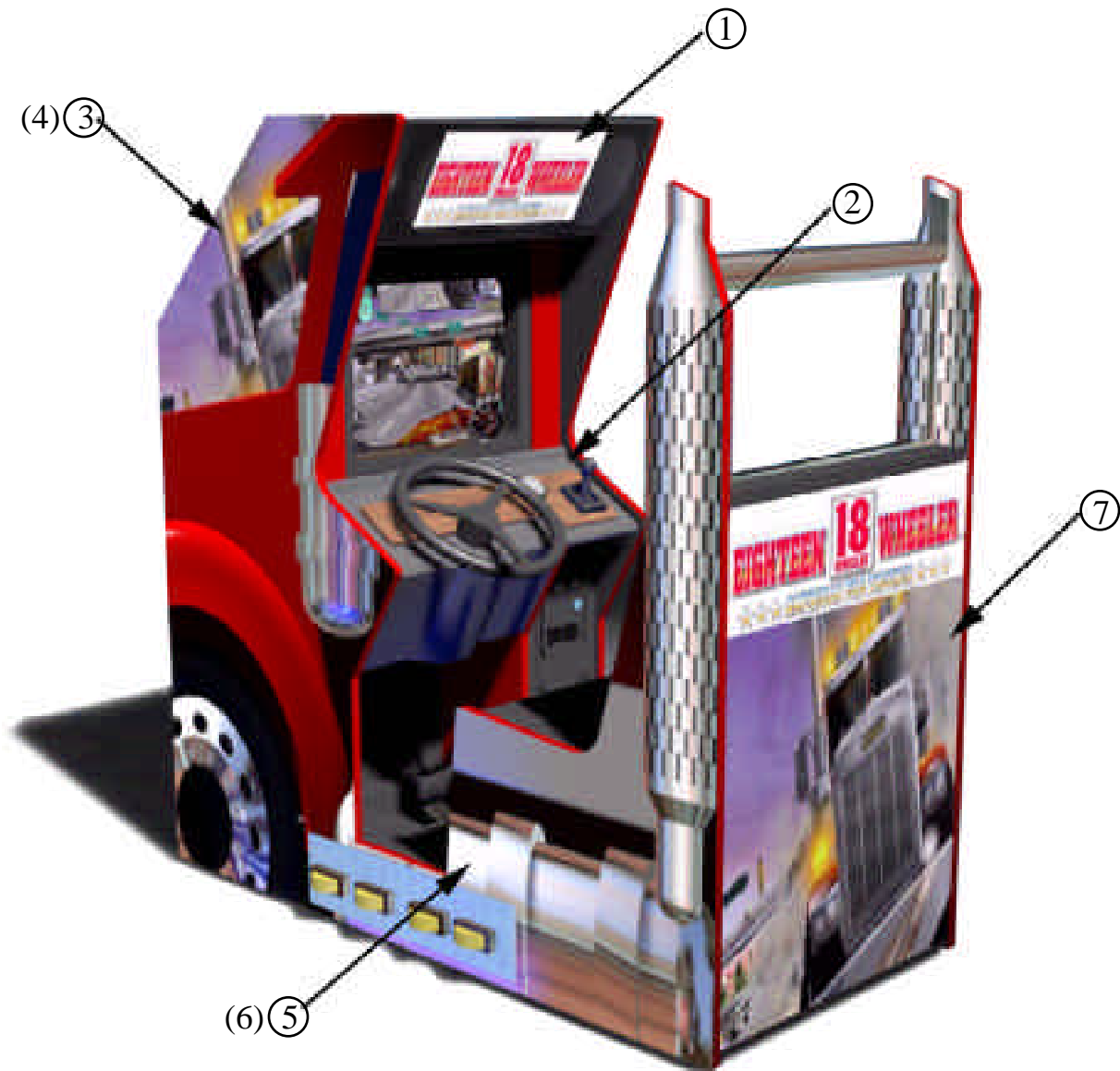


### DIP SW SETTING

In this product, be sure to set all of the DIP SWes to OFF.



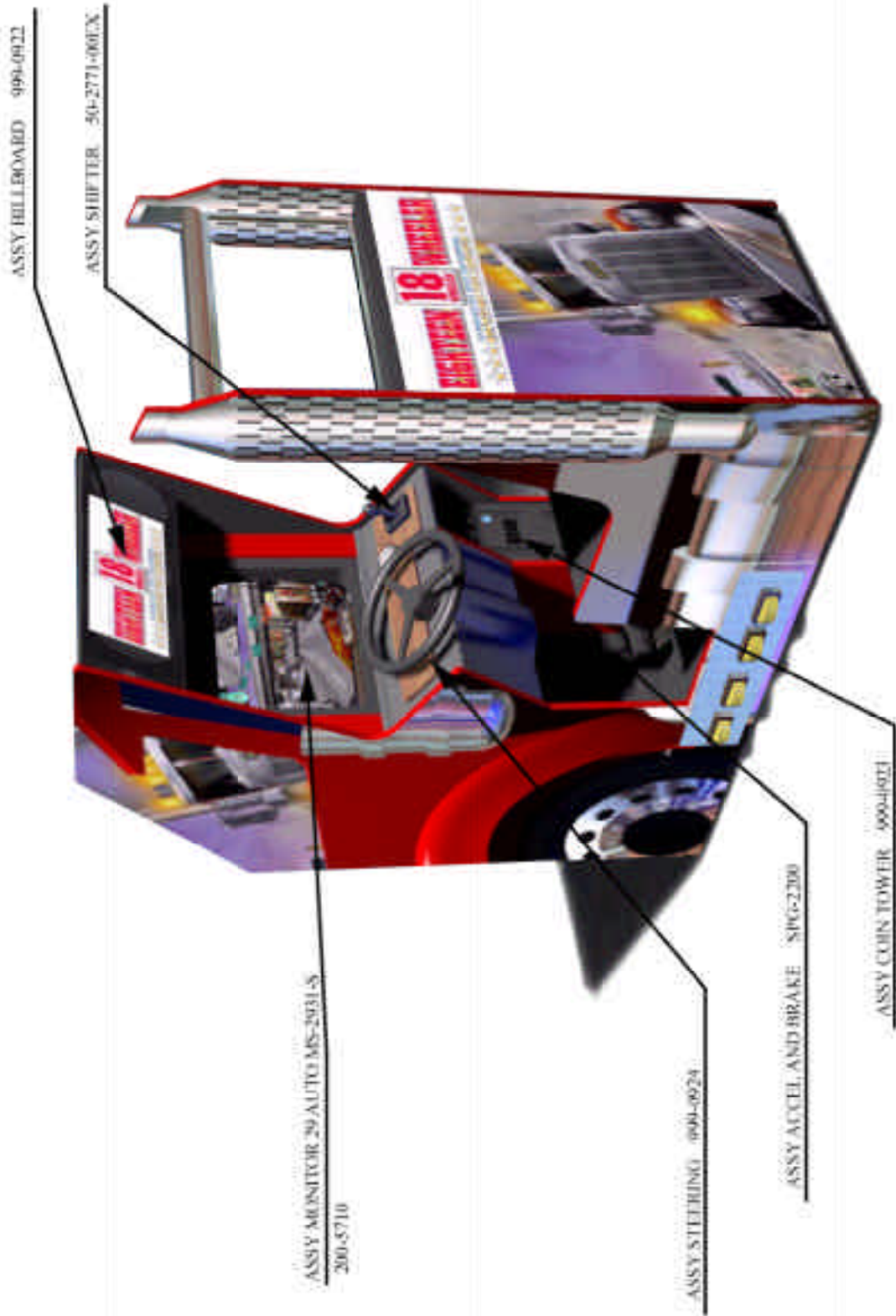
## 17. DESIGN RELATED PARTS



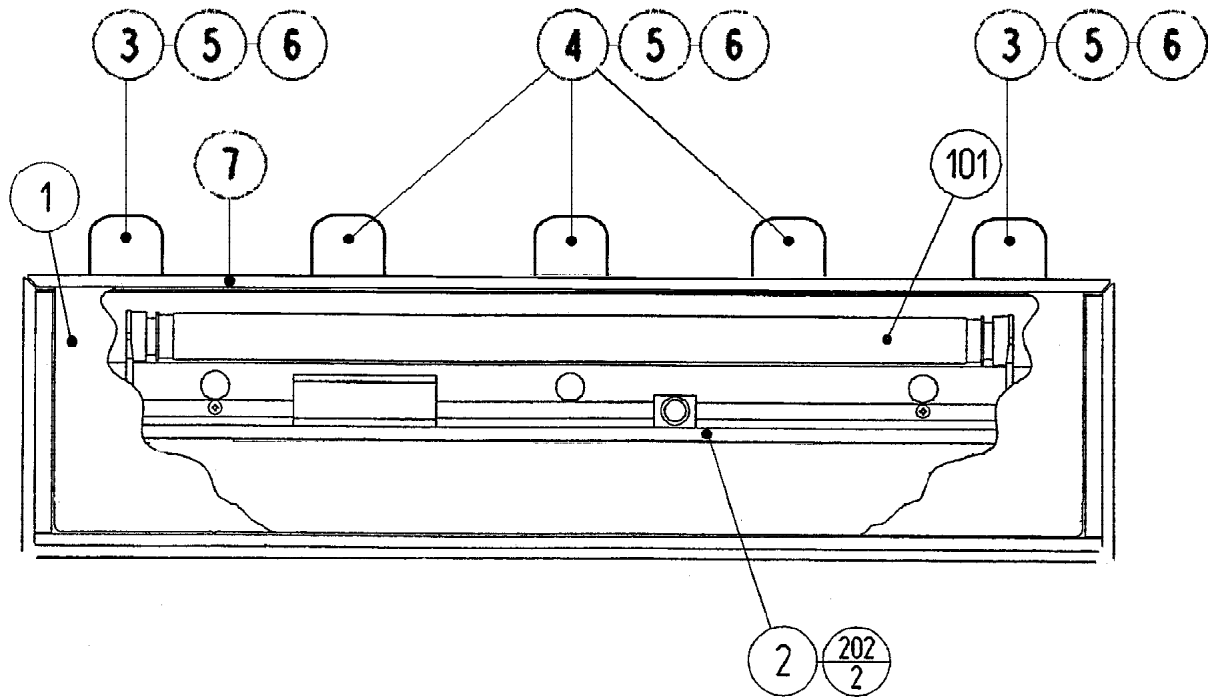
ITEM NO.	PART NO.	DESCRIPTION
1	999-0916	MARQUEE PLEXI (MACHINED)
2	999-0915	OVERLAY - CONTROL PANEL
3	999-0910	DECAL - MAIN CAB L
4	999-0911	DECAL - MAIN CAB R
5	999-0912	DECAL - SEAT OUTSIDE L (INCL. EXHAUST)
6	999-0913	DECAL - SEAT OUTSIDE R (INCL. EXHAUST)
7	999-0914	DECAL - SEAT BACK

# 18. PARTS LIST

TOP ASSEMBLY PTR

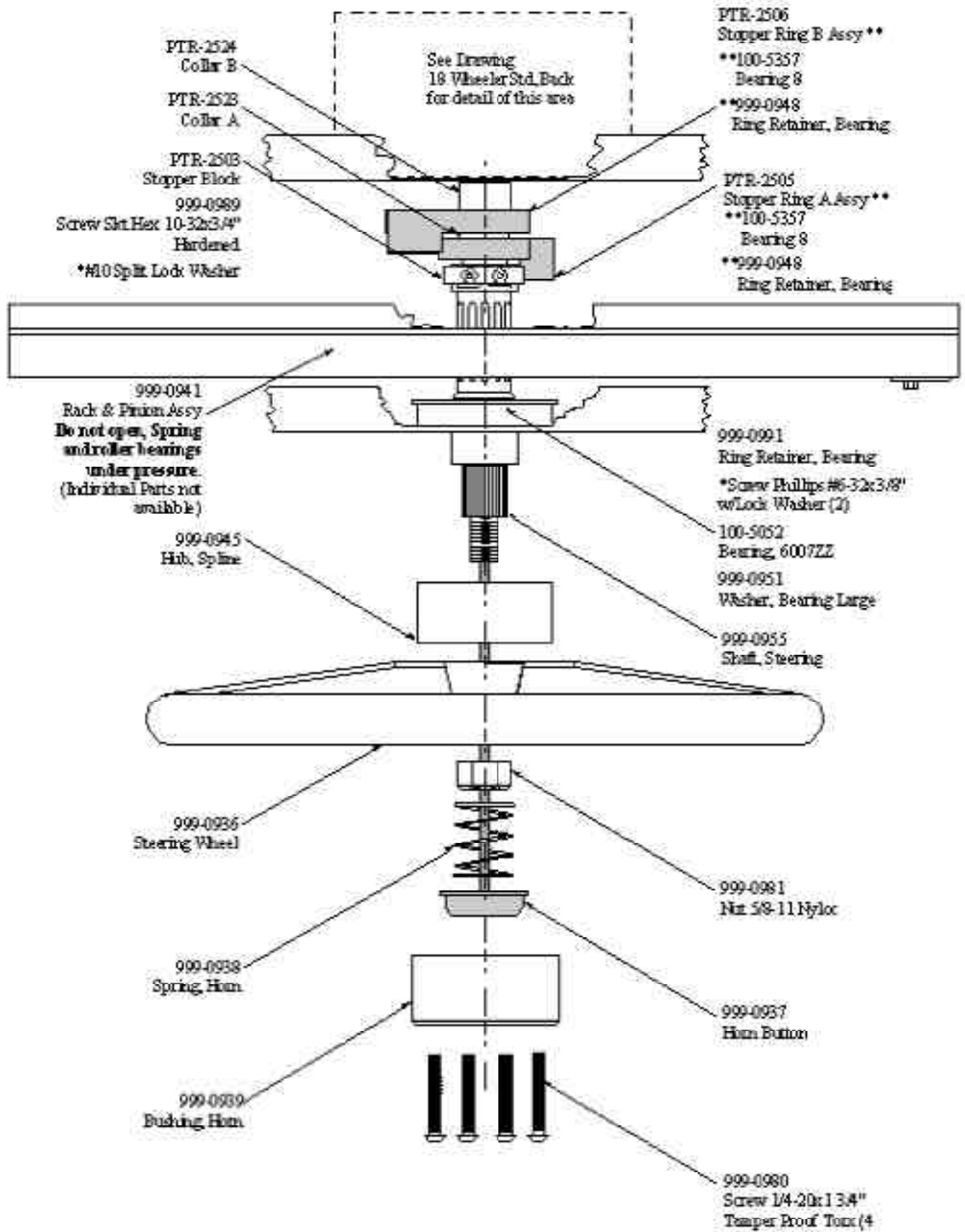


ASSY BILLBOARD (999-0922)



ITEM NO.	PART NO.	DESCRIPTION
1	999-0916	MARQUEE PLEX
2	Local Purchase	ASSY FL FIXTURE
3	999-0925	LENS COVER RED
4	999-0926	LENS COVER YELLOW
5	Local Purchase	14 V LIGHT BULB (#293 IMPERIAL)
6	999-0928	14 V SOCKET FOR BULB
7	999-0927	LIGHT STRIP PLATE
101	Local Purchase	ASSY FL 15W W/CONN HIGH L
202	Local Purchase	8 X 32 MACHINE SCREW

ASSY STEERING UNIT



\* Local Purchase  
 \*\* Included in Assembly



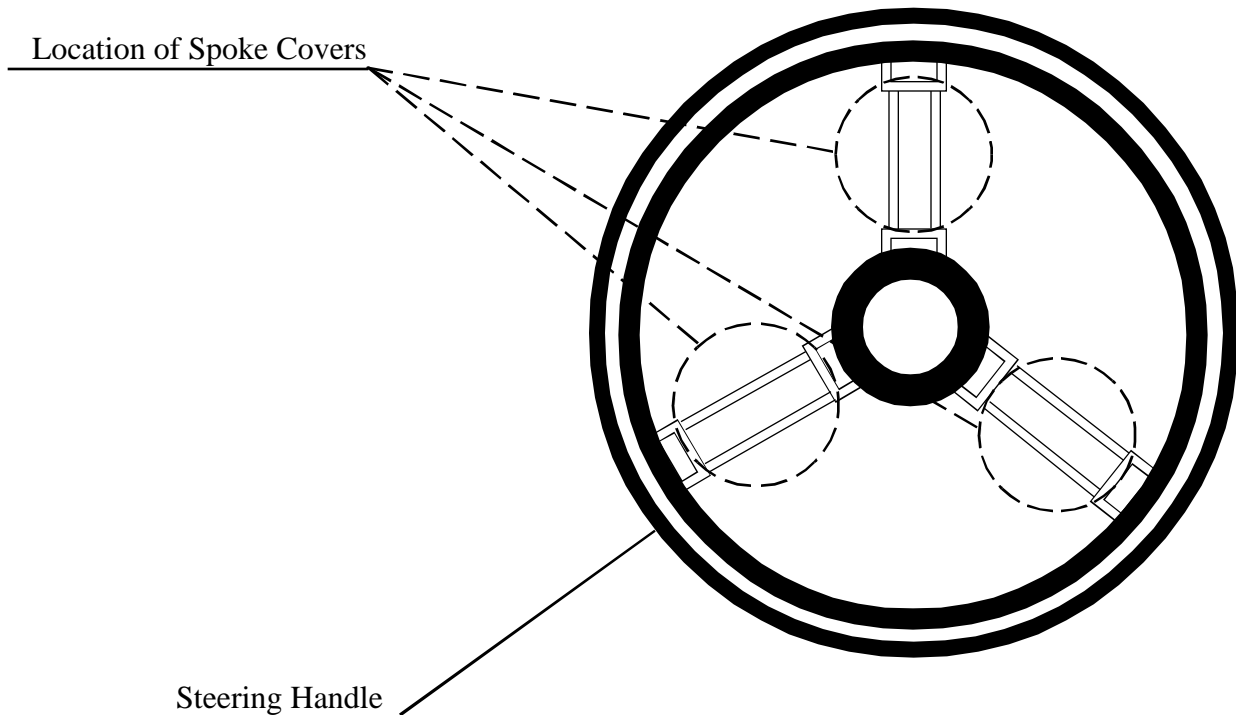
**MODIFICATIONS TO PARTS ASSY #PTR-1000 (ASSY CHANGED TO PTR1-1000)**

*PART NOT LISTED OR SHOWN IN DRAWING #999-0903 (3) Steering Spoke Cover Upper*

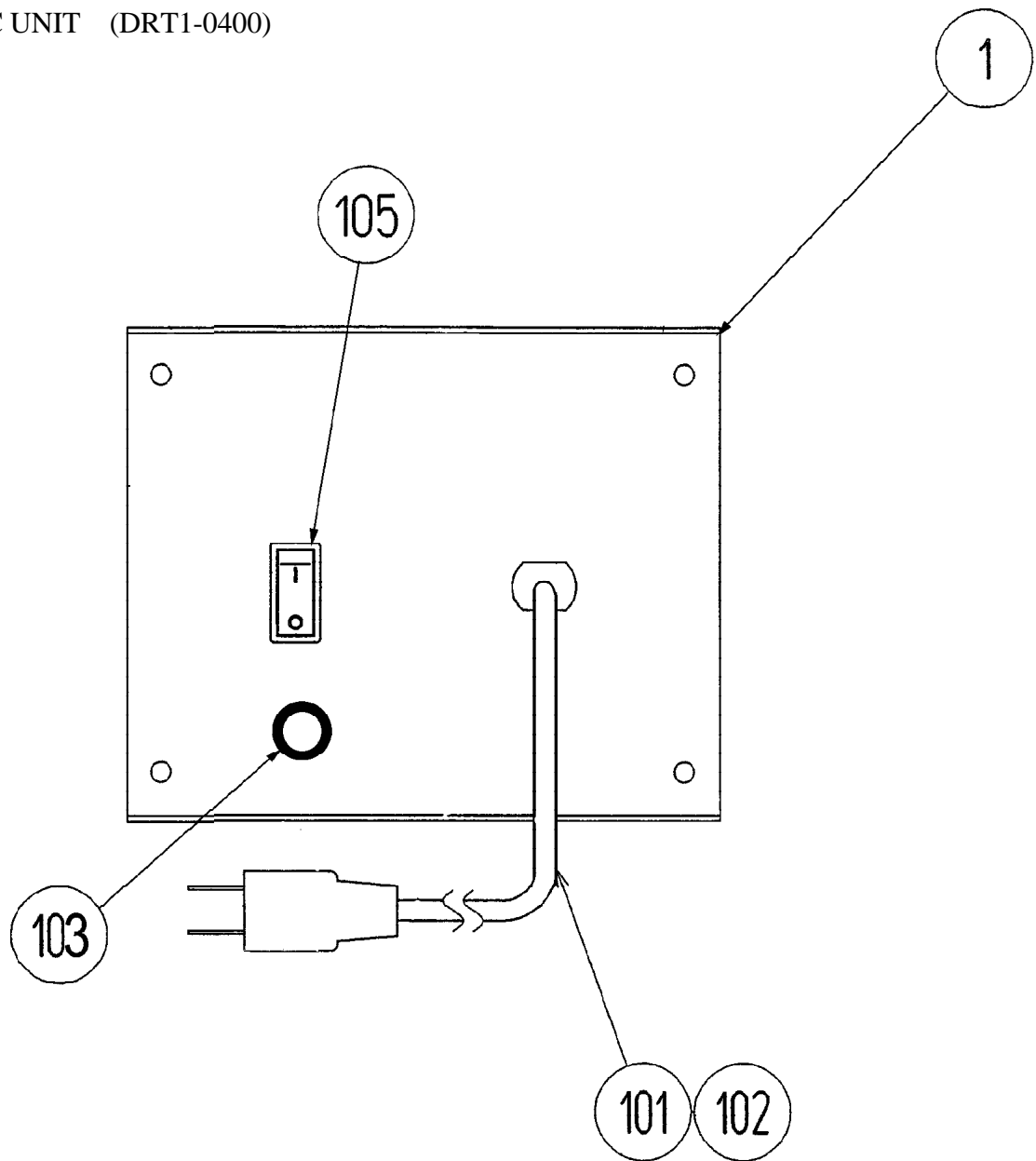
*PART NOT LISTED OR SHOWN IN DRAWING #999-0904 (3) Steering Spoke Cover Lower*

Attached to Item #32 (Part No. PTR-2501 STEERING HANDLE)

These parts are used for extra support/safety and are included in all US manufactured games.

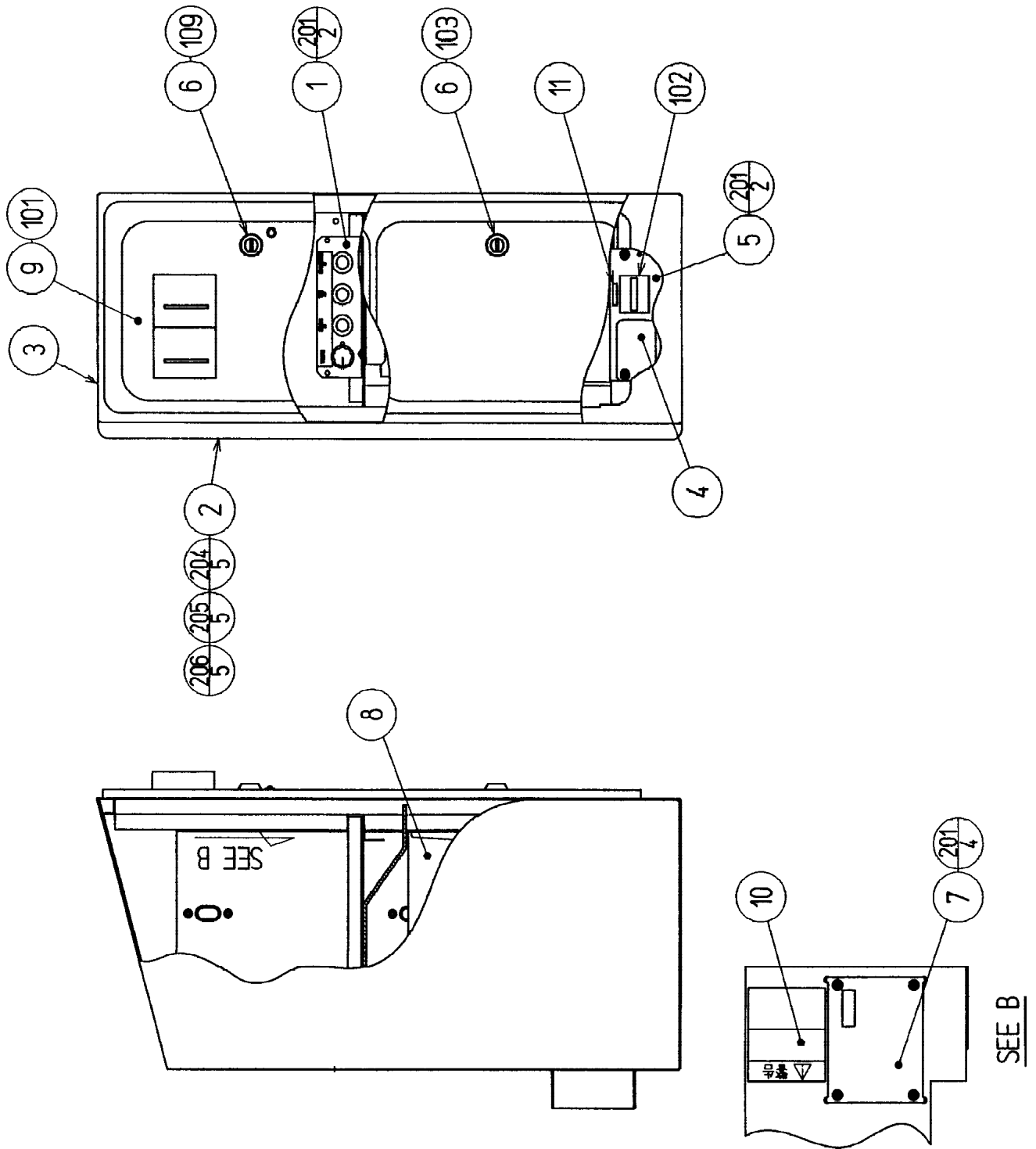


ASSY AC UNIT (DRT1-0400)



ITEM NO.	PART NO.	DESCRIPTION
1	SPG5-0401	AC BRKT
101	600-5843-25	CA & PLUG ASSY 15A W/F-L=2.5M
102	280-5143-6N34	BUSHING STRAIN RELIEF 6N34
103	Local Purchase	FUSE 5000 MA UL
105	509-5453-91-V-B	SW ROCKER J8 V-B

ASSY COIN CHUTE TOWER (999-0923)



ASSY COIN CHUTE TOWER (999-0923)

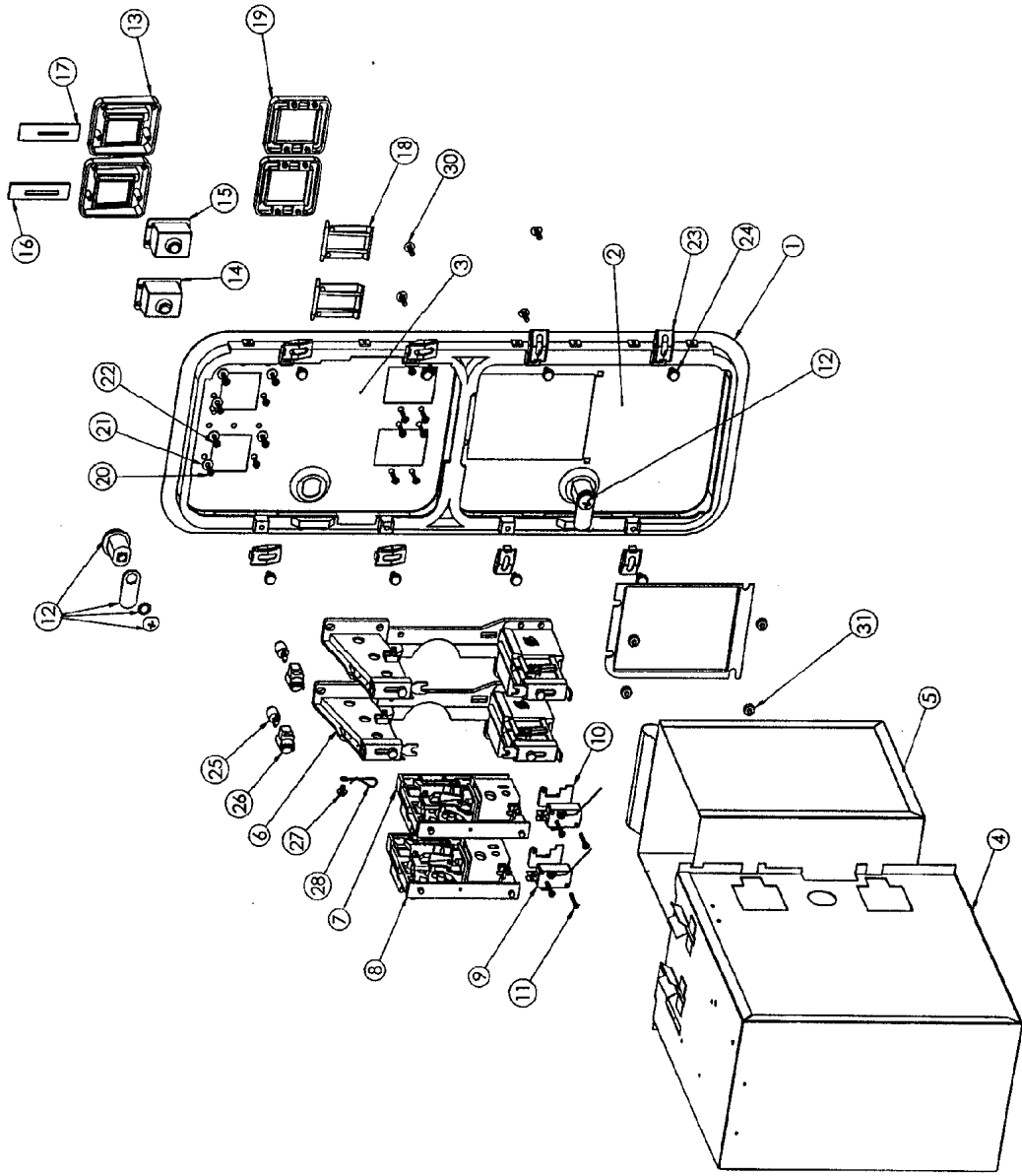
ITEM NO.	PART NO.	DESCRIPTION
1	INY-1180	SW UNIT
2	PTR-1201	TOWER COVER L
3	APC-0301	COINCHUTE TOWER
4	APC-0302	METER HOLE LID
5	DRT-0301X	COIN METER BRKT
6	DP-1167	TNG LKG
7	105-5171	CHUTE PLATE SINGLE
8	253-5366	CASH BOX
9	421-7501-02	STICKER 6.3V 0.15A
10	440-WS0002XEG	STICKER W POWER OFF ENG
11	421-6591-01	STICKER COIN METER
101	40-6000-10EX	ASSY C.C 2DR *SEE IMAGE NEXT PAGE
102	220-5643-01	MAG CNTR DC5V 6P WH MZ-674-D04
103	220-5574	CAM LOCK W/KEYS
107	310-5029-F20	SUMITUBE F F 20MM
108	601-6231-C045	EDGING NEW TYPE
109	220-5575	CAM LOCK MASTER W/O KEY
201	000-P00408-W	M SCR PG W/FS M4 X 8
202	000-P00408-S	M SCR PG W/S M4 X 8
203	060-F00400	FLT WSHR M4
204	050-H00800	HEX NUT M8
205	068-852216	FLT WSHR 8.5-22 X 1.6
206	060-S00800	SPR WSHR M8

\* SEE IMAGE OF COIN DOOR ASSY ON THE FOLLOWING PAGE,

DRAWING NO.

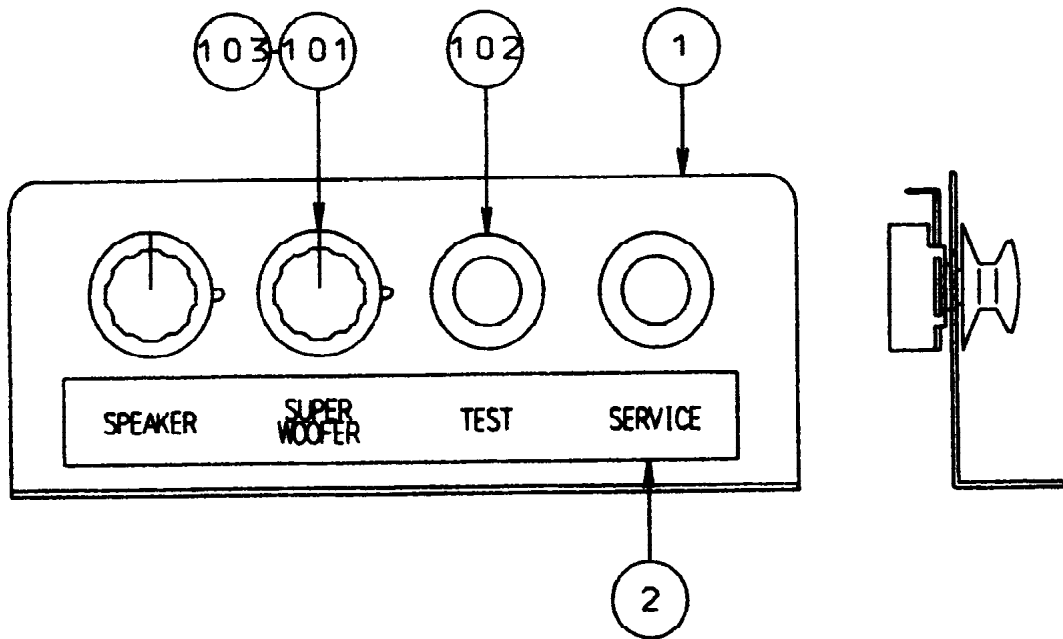
# 40-6000-10EX

ITEM NO.	QTY.	PART NO.	DESCRIPTION
1	1	42-8174-10	FRAME O/U DWN STCK VAL ON LW DR
2	1	42-8178-00	DOOR SMALL O/U F/DWN STCK VAL
3	1	42-7201-00	DOOR SMALL 2 ENTRY W/PEM STUD
4	1	42-8176-00	COINBOX ENCLOSURE O/U DR W/DWNSTICK VAL
5	1	42-8177-00	COINBOX METAL O/U DR W/VAL ON LW DR
6	2	42-7355-00	MECH HOLDER
7	1	42-9079-00	COIN MECH ULTIMECH
8	1	42-7466-00	COIN MECH FOR 28MM/1.10 TOKEN
9	2	42-7087-00	SWITCH ASSEMBLY
10	2	42-5286-00	SWITCH PLATE
11	4	43-0136-00	SCREW #4 x 3/16
12	2	42-0441-100	LOCK ASSEMBLY
13	2	42-0231-00	ENTRY BEZEL
14	1	42-0695-05	\$1.00 REJECT BUTTON ASY., YELLOW
15	1	42-1044-00	REJECT BUTTON, HAPP
16	1	42-0405-04	COIN RESTRICTOR, 27MM
17	1	42-0405-00	COIN ENTRY RESTRICTOR
18	2	42-0119-00	RETURN DOOR FLAP
19	2	42-0232-00	RETURN BEZEL
20	4	43-1003-00	SCREW, PLASTIC #4 X .42
21	6	43-1002-00	WASHER, FLAT #6
22	12	48-1000-00	SCREW FOR BEZEL
23	8	42-0288-00	DOOR CLIP
24	8	43-0047-00	SCREW, M5 X 10MM HEX WASHER HD
25	2	291-1319-00	LAMP #555 6.3V
26	2	42-0351-00	LAMP HOLDER
27	1	42-0065-00	SCREW 8 X 1/4
28	1	42-0063-00	KEY HOOK
29	1	42-0526-00	BLANKING PLATE
30	4	43-0021-00	CARRIAGE BOLT 8-32 x 1/2
31	4	42-0082-00	NUT, KEPS 8-32



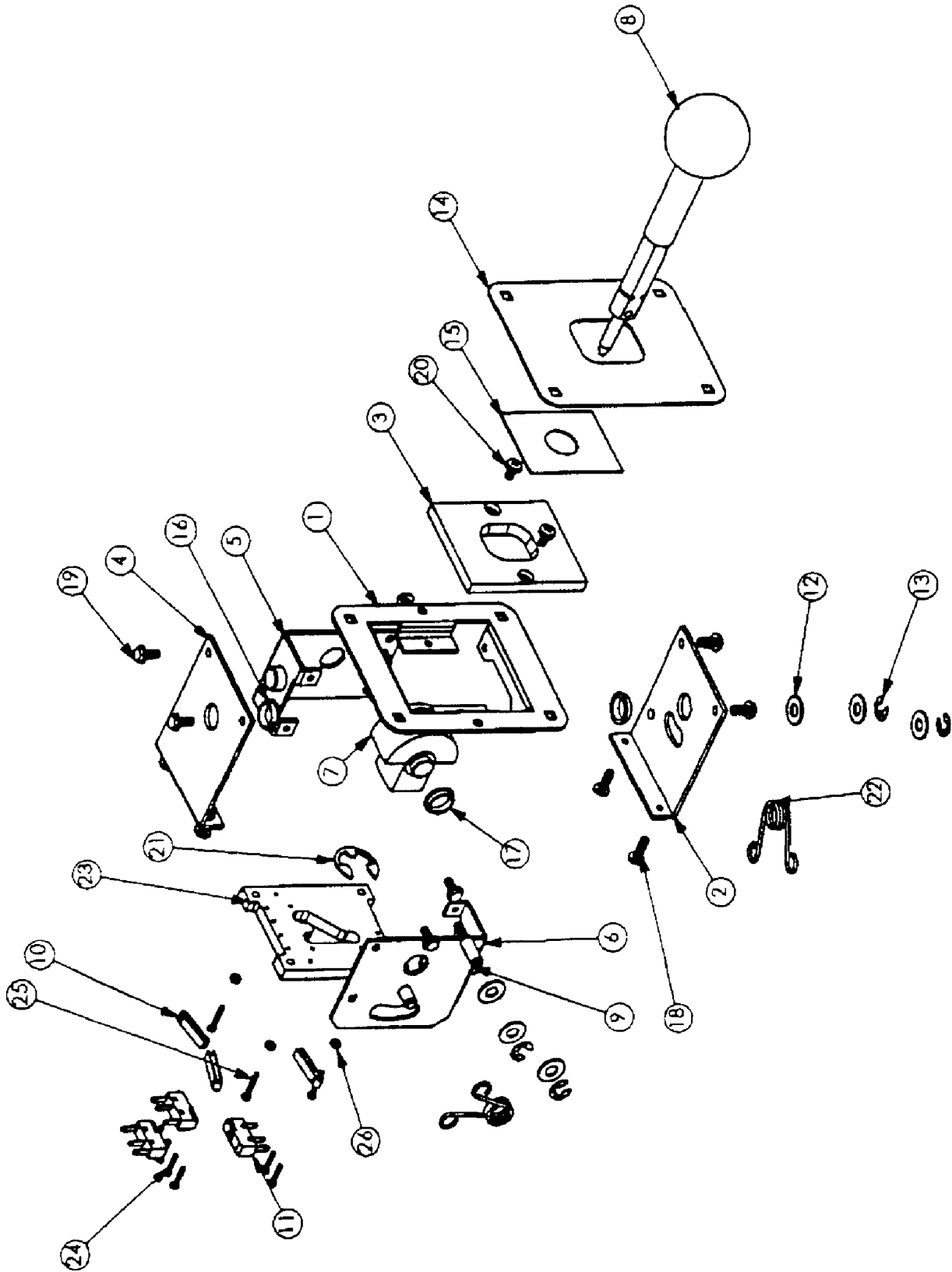
NOTE:  
KEY IS PART OF 42-0641-100, NOT SHOWN

ASSY SWITCH UNIT (INY-1180)



ITEM NO.	PART NO.	DESCRIPTION
1	INY-1181	SW BRKT
2	421-8911	STICKER SW UNIT
101	220-5179	VOL CONT B-5K OHM
102	509-5028	SW PB 1M
103	601-0042	KNOB 22 MM
104	310-5029-D20	SUMITUBE F D 20 MM

ASSY HI/LOW/BACK SHIFTER (50-2771-00EX)



ASSY HI/LOW/BACK SHIFTER (50-2771-00EX)

ITEM NO.	PART NO.	DESCRIPTION
1	96-0094-00	BASE PLATE 4 SPD SHFT BLK
2	96-0095-00	SIDE BRACKET W/PIN CLR ZNC PLT
3	96-0084-00	GATE BLOCK UPPER MOLDED
4	96-0092-00	SIDE BRACKET NO PIN CLR ZNC PLT
5	50-8390-00	INNER BOX A, SUB ASSY, PLT
6	50-8418-00	INNER BOX B, ASSY
7	50-8346-00	TRUNNION FOR I.L. TURBO SHIFTER
8	96-0090-00	KNOB & SHAFT ASSY 1-3/4 BLK BALL KNOB
9	50-8299-00	ANCHOR PIN, HANDLE BLK OXD.
10	96-0089-00	ACTUATOR, SPRING STEEL (QTY.3)
11	95-4118-00	MS. DA3 90 GRMS. F. (QTY. 3)
12	43-0133-00	#145 BRS FLAT WSH .26X.56X.04 (QTY. 6)
13	43-0118-00	E-RING, 1/4" SHAFT DIA (QTY. 4)
14	50-8413-00	TOP PLATE, BLACK NO ART
15	50-8422-00	GUIDE WASHER, 4 SPD SHIFTER
16	50-8406-00	BUSHING, NYLINER, F/.078 THK MAT. (QTY. 2)
17	50-8491-00	BUSHING, NYLINER, F/.072/.135 THK MAT. (QTY. 2)
18	43-1016-00	SCREW, 8-32 X 1/2 PHMS (QTY. 4)
19	43-0252-00	SCREW, 8-32 X 3/8 HEX HEAD (QTY. 8)
20	43-0134-00	SCREW, 8-32 X 5/16" PH HD MS W/SEMS E-WISH (QTY. 2)
21	50-8118-00	E-RING FOR GEAR SHIFTER M15
22	50-8294-00	SPRING, HAIRPIN, HLR SHFTR, SHORT (QTY. 2)
23	96-0088-52	LOWER GATE BLOCK W/INSERTS
24	43-0001-00	SCREW, 2-56 X 1/2 PPMS (QTY. 6)
25	43-0417-00	SCREW, 2-56 X 5/8 PPMS (QTY. 3)
26	43-0755-00	NUT, 2-56 NYLOCK (QTY. 3)

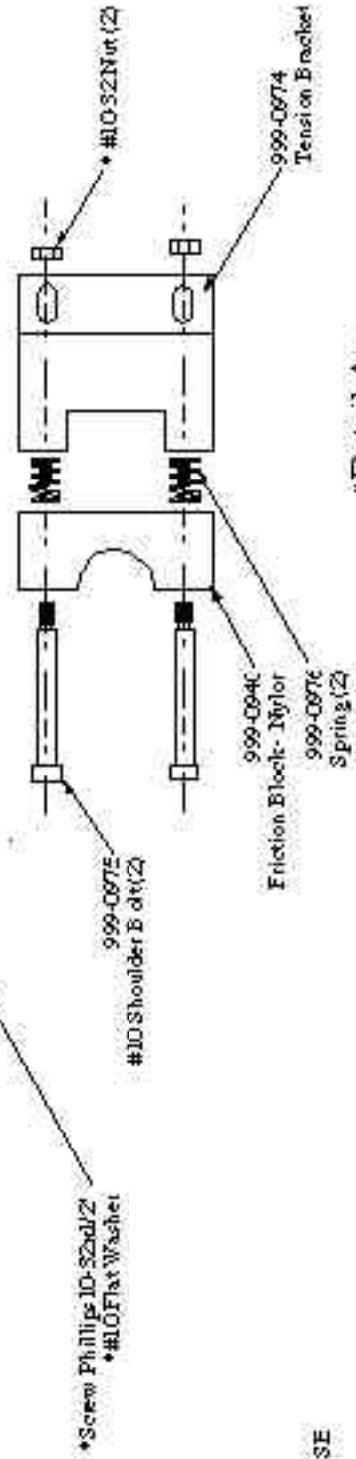
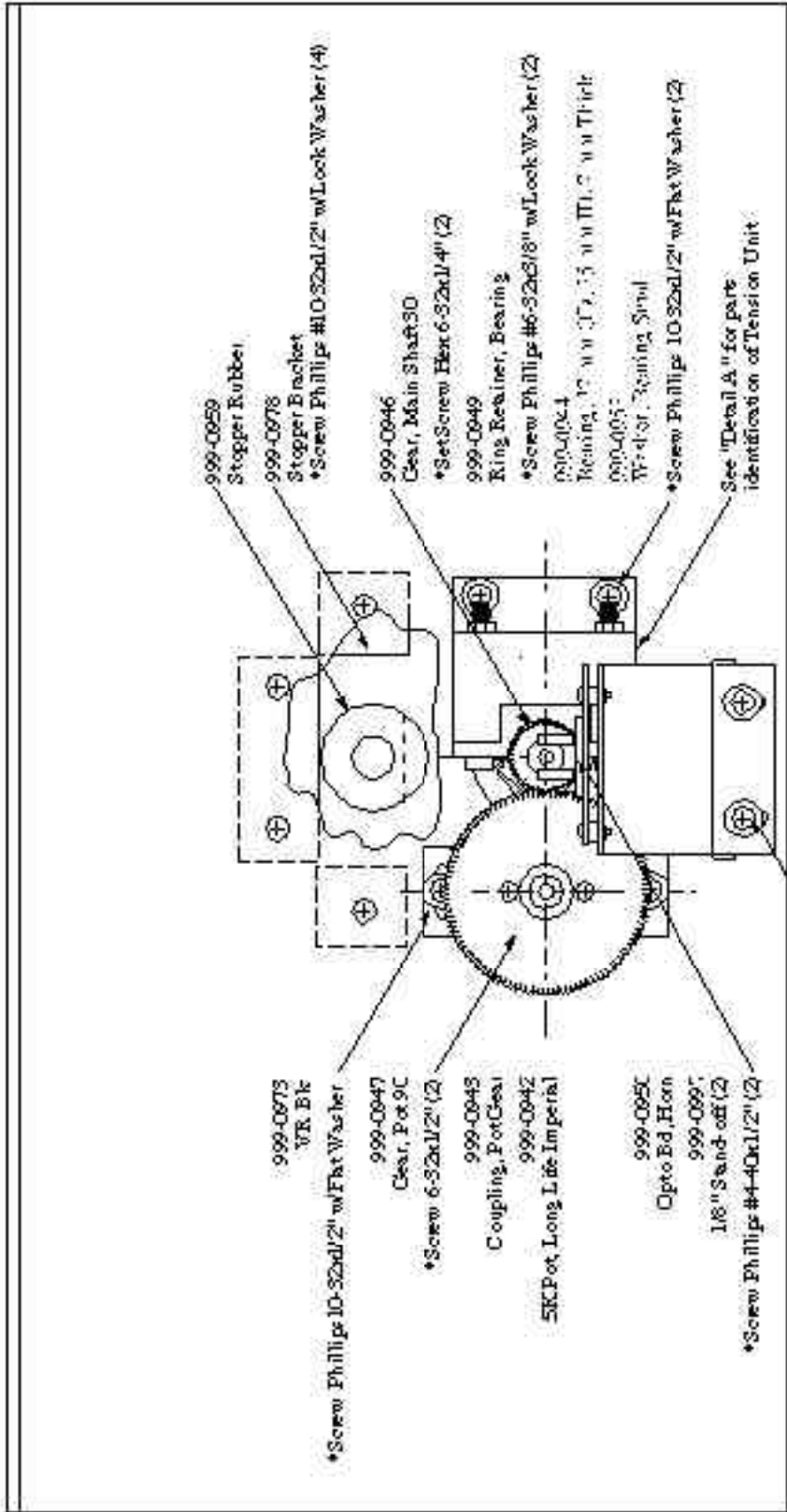




ASSY ACCEL AND BRAKE (SPG-2200)

ITEM NO.	PART NO.	DESCRIPTION
1	SPG-2201	BASE
2	SPG-2202	ACCEL PEDAL
3	SPG-2203	BRAKE PEDAL
4	SPG-2204	ACCEL SPRING
5	SPG-2205	BRAKE SPRING
6	SPG-2206	SHAFT
7	SPG-2207	ACCEL GEAR
8	SPG-2208	BRAKE GEAR
9	SPG-2209	NEUTRAL STOPPER
10	SPG-2210	VR PLATE ACCEL
11	SPG-2211	VR PLATE BRAKE
12	SPG-2212	AMPL GEAR
13	SPG-2213	GEAR SHAFT
14	SPG-2214	STOPPER
15	SPG-2215	RUBBER CUSHION
16	SPG-2216	COVER
17	SPG-2217	VR COVER
19	SPG-2219	GEAR STAY
20	SPG-2220	WSHER
21	SPG-2221	NEUTRAL STOPPER D
101	100-5263	BEARING 12
102	220-5484	VOL CONT B-5K OHM
104	601-7944	GEAR 15
105	310-5029-F15	SUMITUBE F F 15MM
201	028-A00304-P	SET SCR HEX SKT CUP P M3 X 4
202	020-000520-OZ	HEX SKT H CAP SCR BLK M5 X 20
203	000-P00420	M SCR PH M4 X 2
204	000-P00508-W	M SCR PH W/FS M5 X 8
205	000-T00408-0C	M SCR TH CRM M4 X 8
206	FAS-450005	SPR PIN BLK OZ 6 X 10
207	000-P00405	M SCR PH M4 X 5
208	FAS-000001	M SCR TH CRM M3 X 6
209	050-H00500	HEX NUT M5
210	060-F00400	FLT WSHR M4

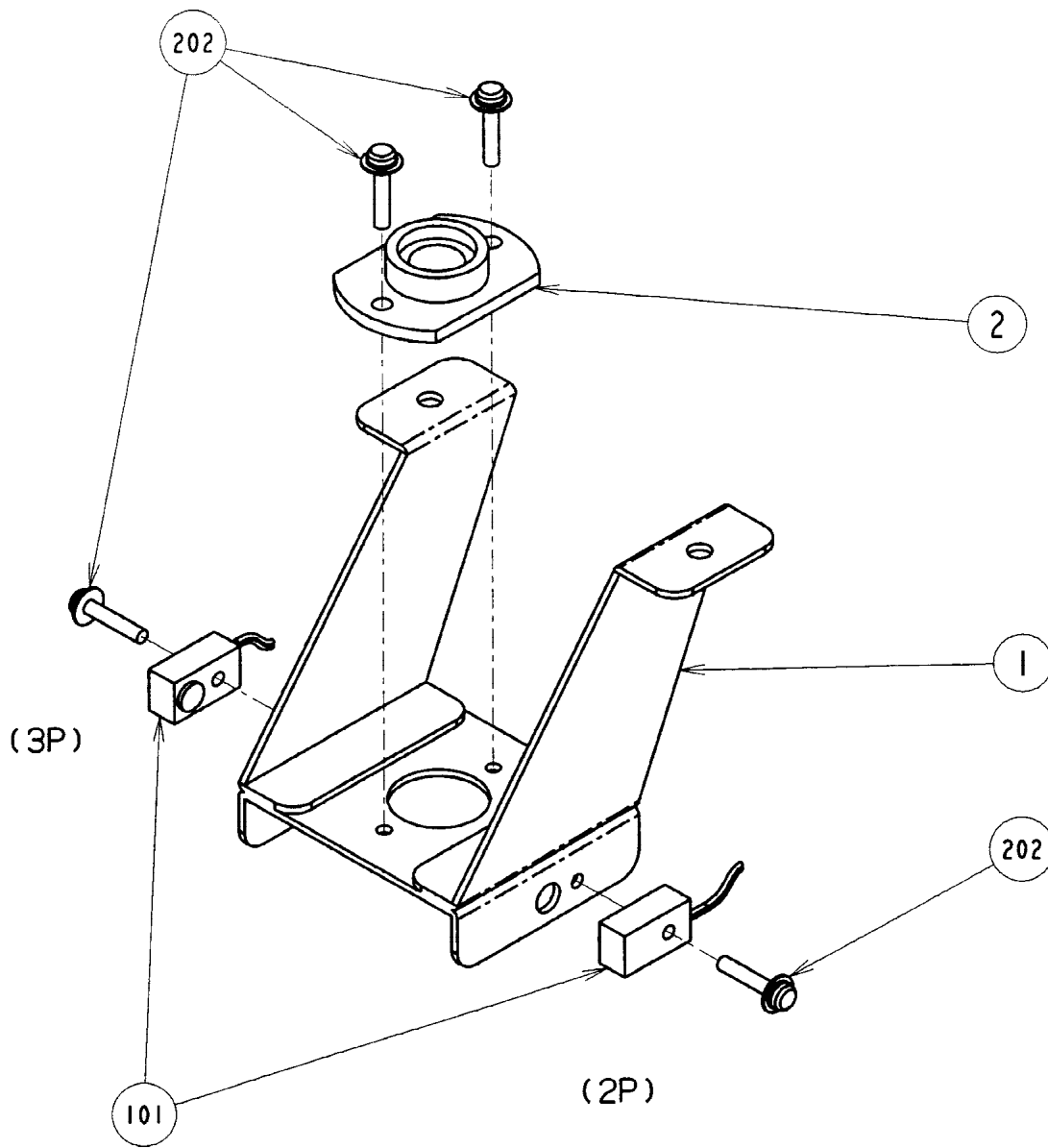
# 18 Wheeler Standard Steering Assembly Back



\* LOCAL PURCHASE

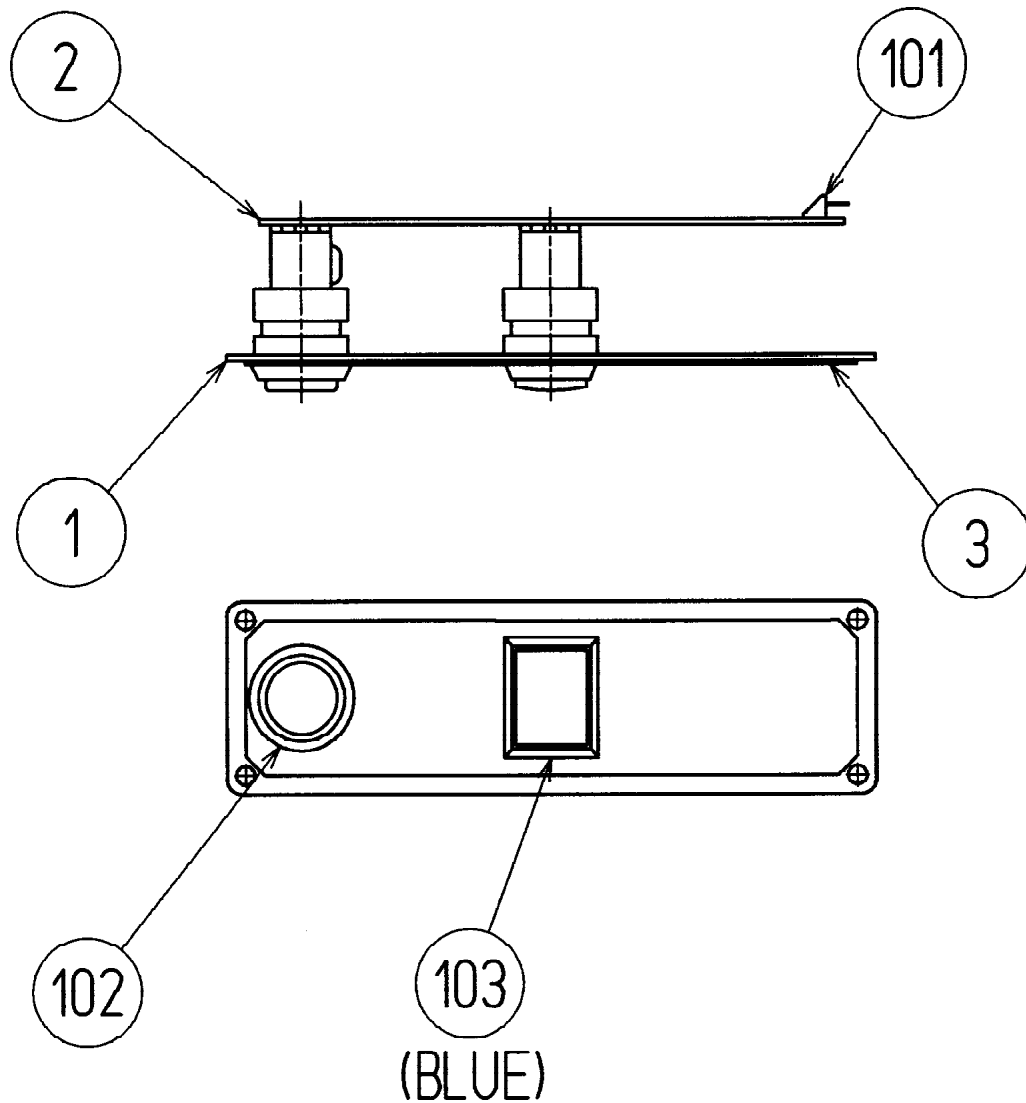
"Detail A"

ASSY SENSOR UNIT (PTR-2550)



ITEM NO.	PART NO.	DESCRIPTION
1	PTR-2551	SENSOR BEKT
2	PTR-2552	GUIDE RING
101	370-5226	PHOTO SENSOR OMT-01DAMP NEW
202	000-P00312-W	M SCR PH W/FS M3 X 12

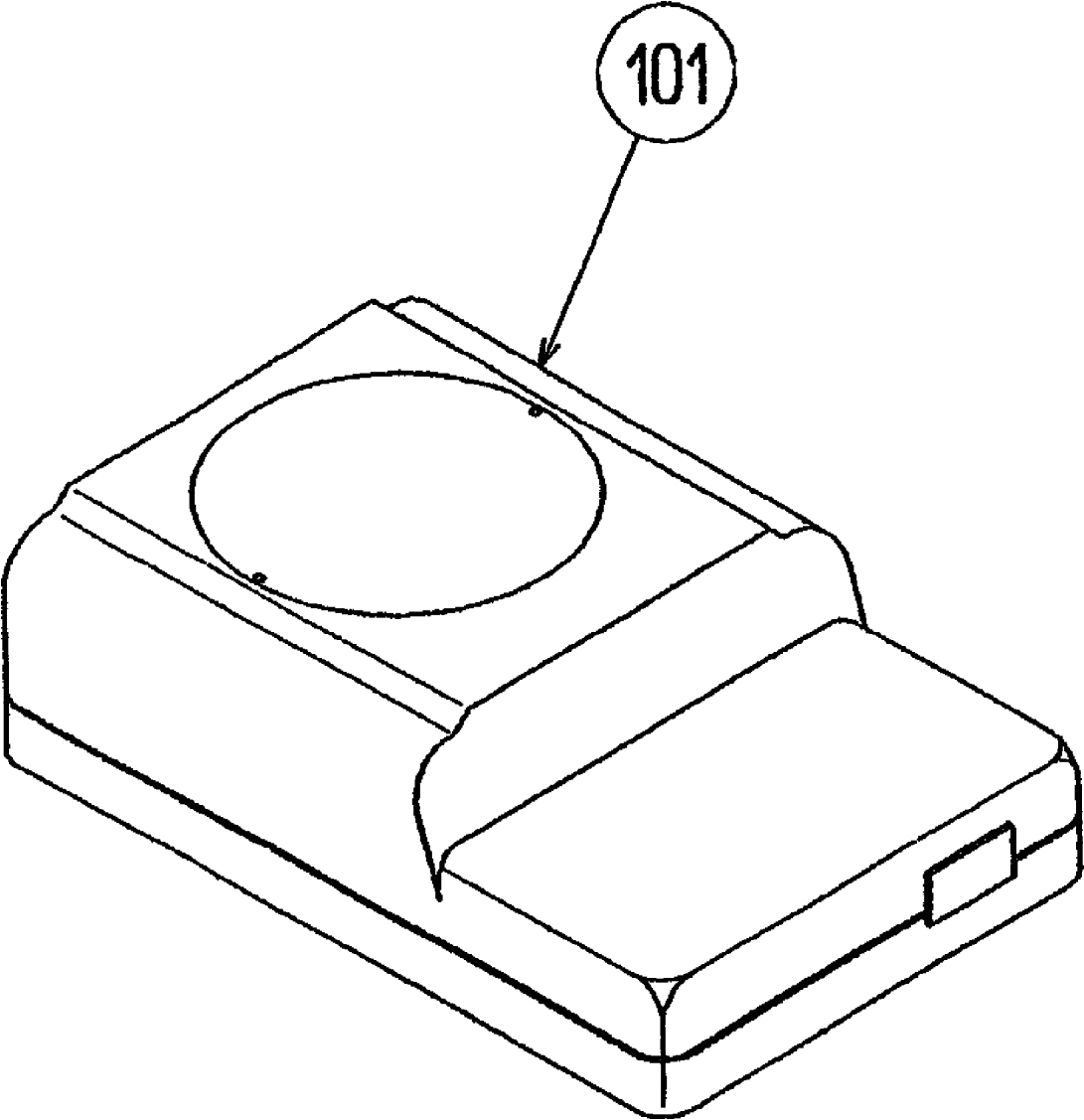
ASSY VR BUTTON START AND 1 VIEW (PTR-2600)



ITEM NO.	PART NO.	DESCRIPTION
1	APC-2151X	VR BUTTON BRKT
2	171-6478B	PC BD LIGHTING SWX5
3	PTR-2601	STICKER VR BUTTON
101	212-5205-12	CONN JST M 12P RTA
102	**54-0006-25	SM ROUND YELLOW 5V #161 MICRO
103	**54-0006-42	SQUARE BLUE 5V #161 MICRO

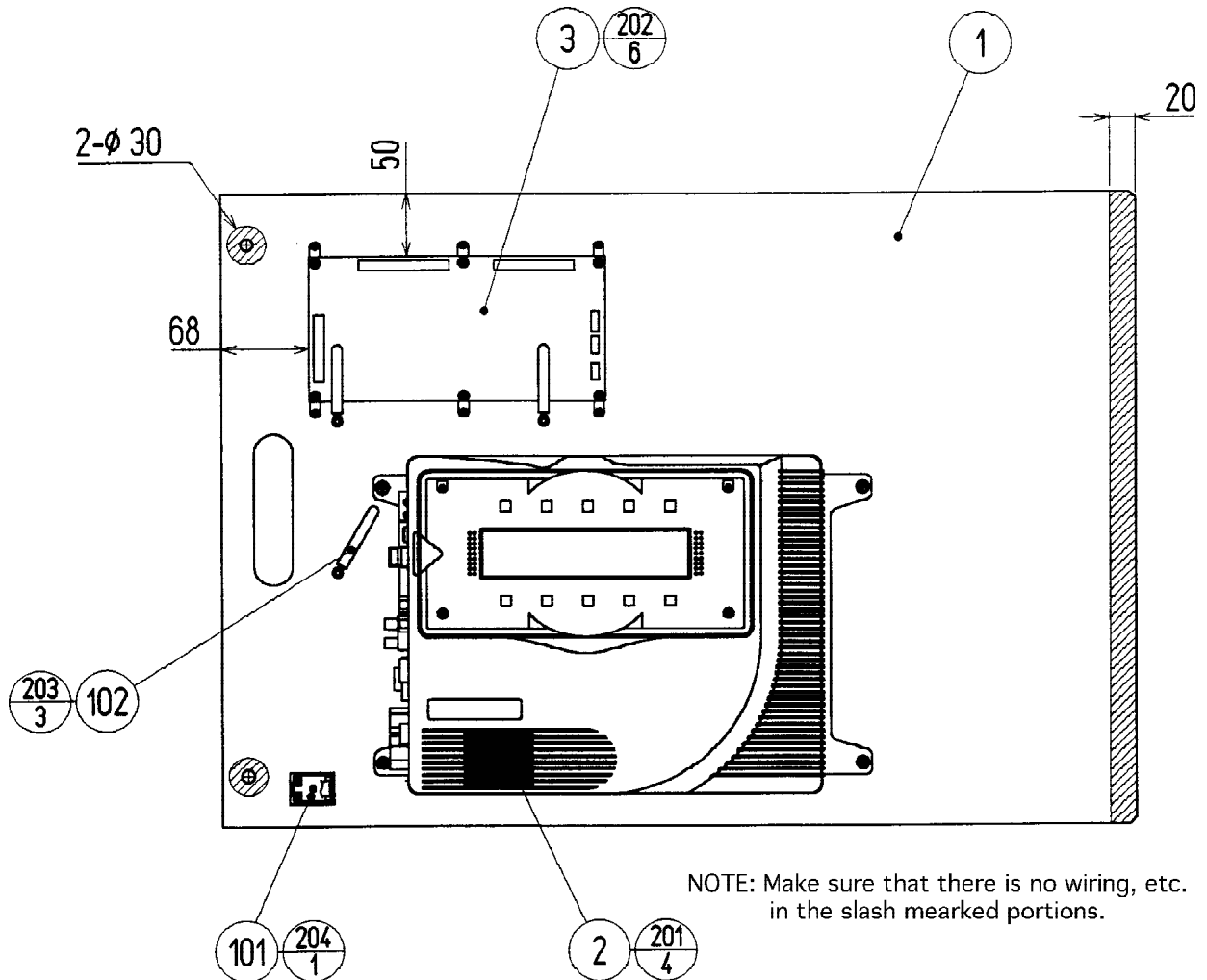
\*\*HAPP PART NUMBER

ASSY WOOFER (999-0929)



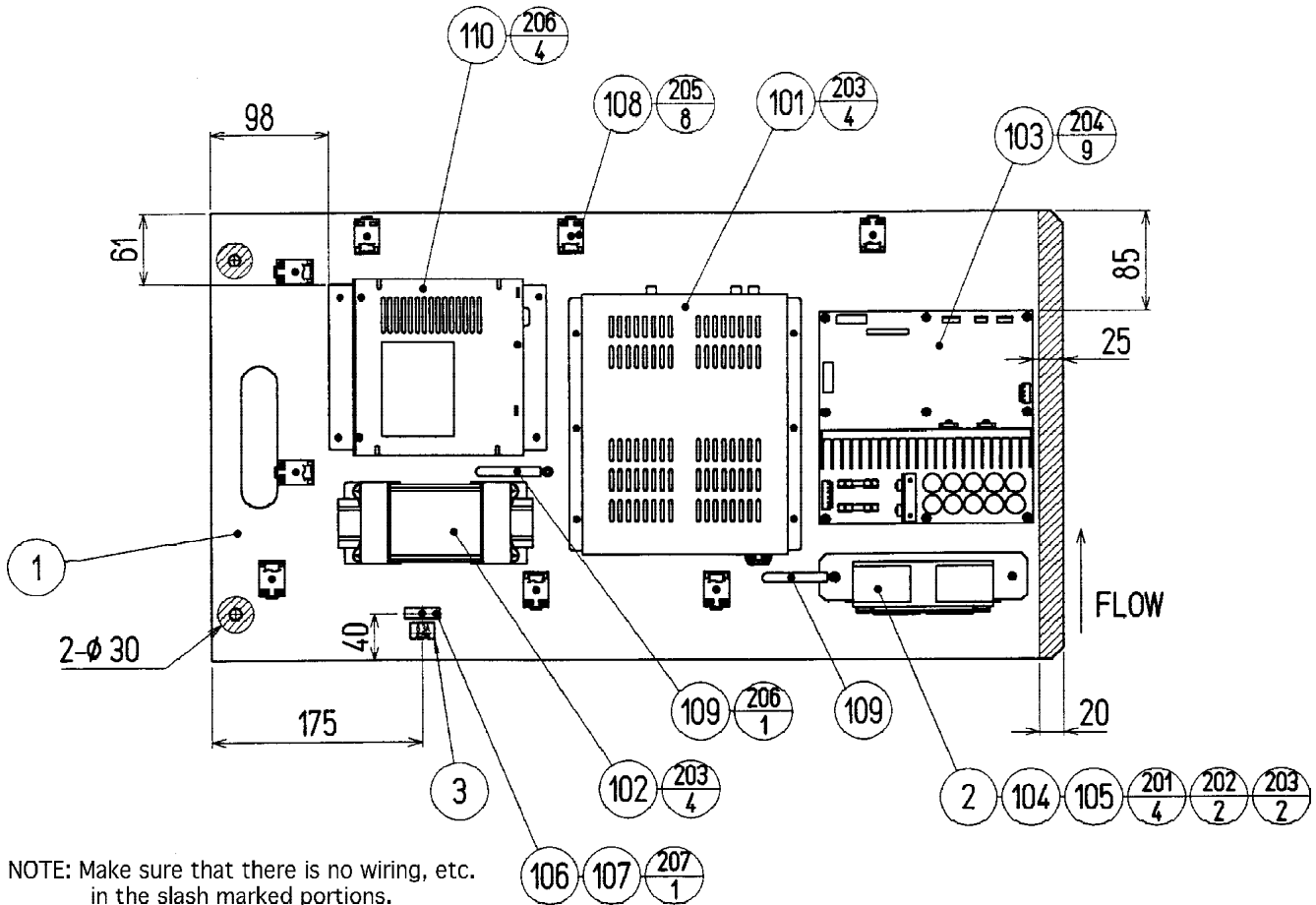
ITEM NO.	PART NO.	DESCRIPTION
101	999-0929	SUB WOOFER 4 OHM 25W

ASSY MAIN BOARD (PTR-4000)



ITEM NO.	PART NO.	DESCRIPTION
1	PTR-4001	MAIN BD BASE
2	840-0023D-01	ASSY CASE NAO PTR EXP
3	837-13844	I/O CONTROL BD 2 FOR JVS FRI
201	000-P00416-W	M SCR PH W/FS M4 X 16
202	011-T00316	TAP SCR TH 3 X 16
203	011-T03512	TAP SCR TH 3.5 X 12
204	011-F00312	TAP SCR FH 3 X 12
301	600-7141-050	CABLE JVS TYPE A-B 050CM

ASSY AMP BOARD (PTR1-4200)

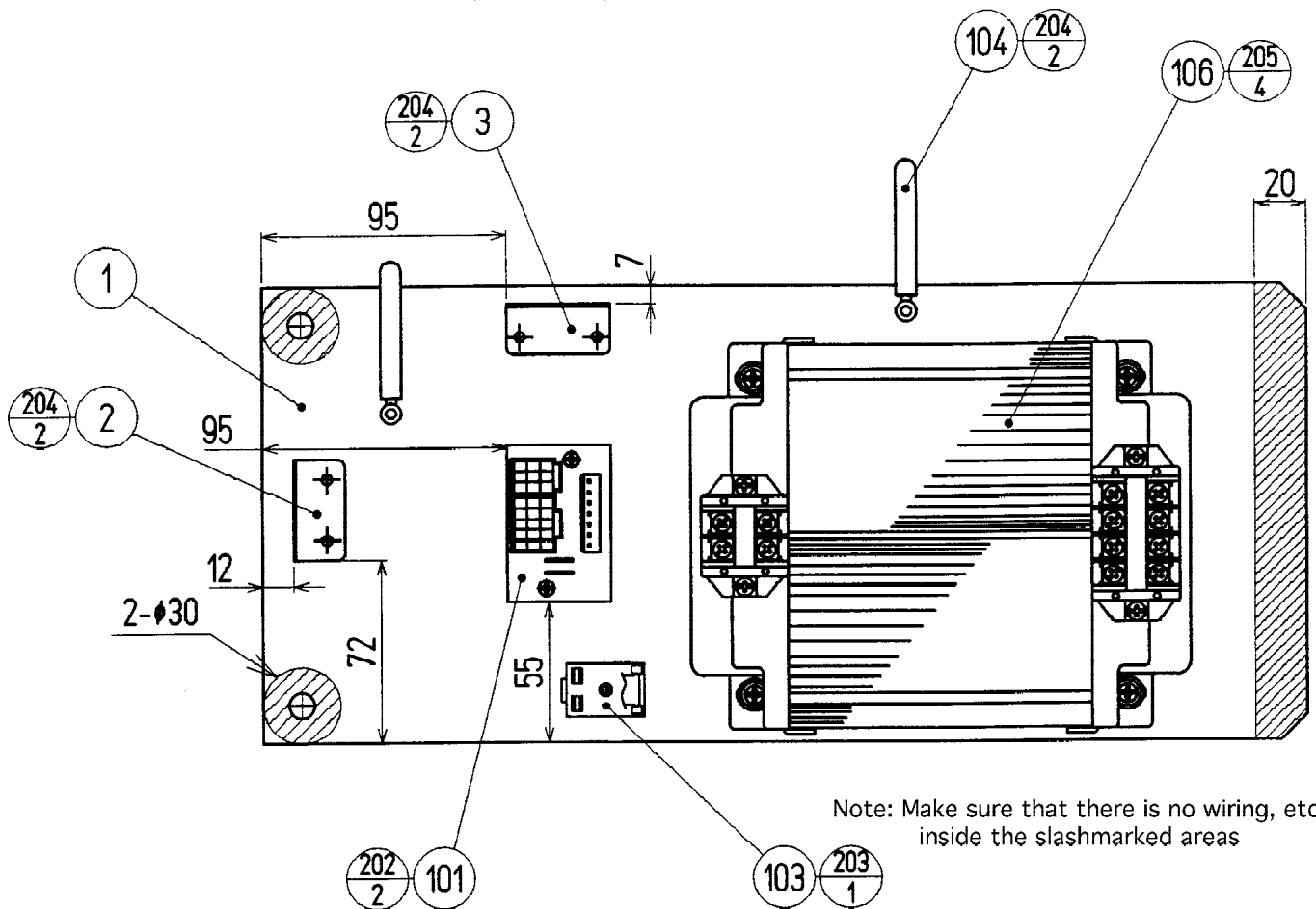


NOTE: Make sure that there is no wiring, etc. in the slash marked portions.

ITEM NO.	PART NO.	DESCRIPTION
1	PTR-4201	AMP BD BASE
2	DRT-4502	FAN MOTOR BRKT
3	421-7914-250630	STICKER AC 250V 6.3A
101	601-10369	STEREO PWR AMP 47
102	560-5419-V	XFMR 100V 23V 9.6A X 2
103	838-13723	WOOFER AMP 50W X 2
104	260-0011-02	AXIAL FLOW FAN AC100V 50-60HZ
105	601-8543	FAN GUARD
106	514-5086-6300	FUSE S.B 6.25A 250V HBC CE
107	514-5084	FUSE HOLDER F-60B W/F-60
110	400-5397-01	SW REGU FOR JVS VA
112	310-5029-D20	SUMITUBE F D 20 MM
201	000-P00312-W	M SCR PH W/FS M3 X 12
202	050-F00300	FLG NUT M3
203	000-P00416-W	M SCR PH W/FS M4 X 16
204	011-P00325	TAP SCR PH 3 X 25
205	011-F00312	TAP SCR FH 3 X 12
206	011-T03512	TAP SCR TH 3.5 X 12
207	011-F00312	TAP SCR #1 FH 3 X 12

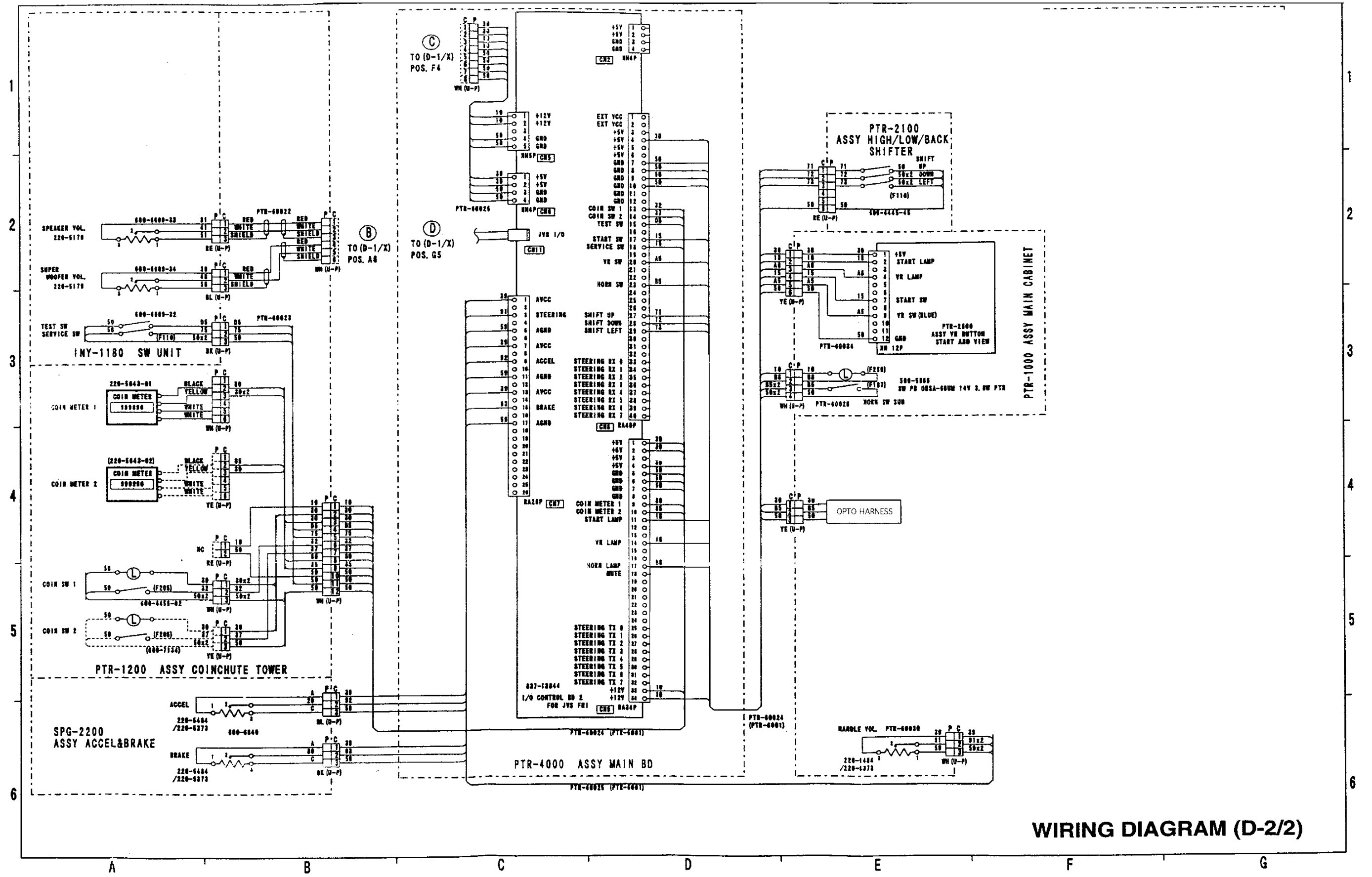


ASSY OF POWER SUPPLY (PTR-4300)



ITEM NO.	PART NO.	DESCRIPTION
1	PTR-4301	PWR SPLY BASE
2	PTR-4302	CONN BRKT VL3P
3	PTR-4303	CONN BRKT UP18P
101	838-11856-UL	CONNECT BD UL
106	560-5384	XFMR 100-200V 100V 10A WB AC 110 ~ 120V AREA
202	011-P00325	TAP SCR PH 3 X 25
203	011-F00310	TAP SCR FH 3 X 10
204	011-T03512	TAP SCR TH 3.5 X 12
205	000-P00616-W	M SCR PH W/FS M6 X 16





WIRING DIAGRAM (D-2/2)

# VISIT OUR WEBSITE!

Netscape: SEU SERVICE HOMEPAGE

Go To: <http://www.seuservice.com/SEGASERVICE/mainpage.html> What's Related

**SEGA SERVICE**

[\[What's new\]](#) | [\[Manuals\]](#) | [\[Bulletins\]](#) | [\[Part Numbers\]](#) | [\[Game Monitors\]](#) | [\[Board Systems\]](#) | [\[Mailing List\]](#) | [\[SEGA Distributors\]](#) | [\[Service Staff\]](#) | [\[Darl's Office\]](#) | [\[Samples\]](#)



WHAT'S NEW  
MANUALS  
BULLETINS  
PART NUMBERS  
GAME MONITORS  
BOARD SYSTEMS  
MAILING LIST  
SEGA DISTRIBUTORS  
SERVICE STAFF  
DARL'S OFFICE  
**HOME**

[\[Y2K COMPLIANCE\]](#)

Sega Enterprises Inc., USA  
Service Department  
Phone (650)-632-7580  
Fax (650)-632-7594

Best Viewed with 

**Coin-Op Links:**

[Star Tech Journal](#)

[Amusement Industry Mega Site](#)

*If you have any questions about this Home Page please  
E-Mail to:*

[darl.davidson@seu.sega.com](mailto:darl.davidson@seu.sega.com)  
OR  
[han.rockhill@seu.sega.com](mailto:han.rockhill@seu.sega.com)

A total of **13910** people have accessed this page.

THIS WEB SITE POWERED BY  
**WebSTAR 3**  



**SEGA ENTERPRISES, INC. (USA)**

45133 Industrial Drive  
Fremont, CA 94538  
**(650) 632-7580** phone  
**(650) 632-7594** fax