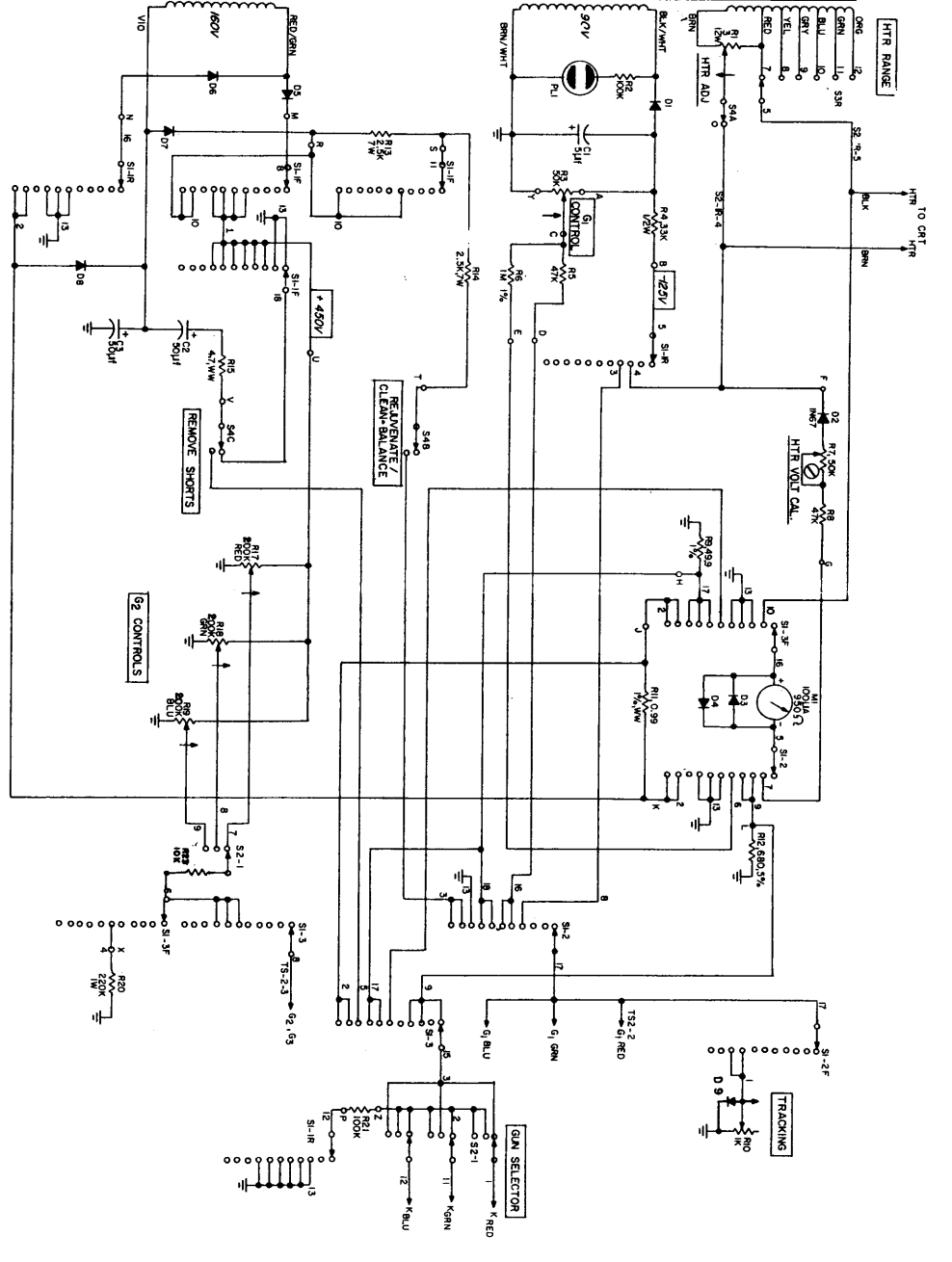
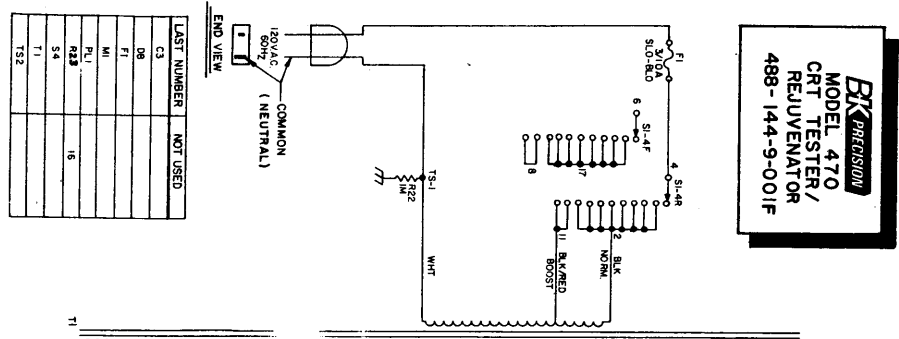


BK PRECISION
MODEL 470
CRT TESTER /
REjuvenATOR
488-144-9-001F



WIRE COLOR	FUNCTION	MIN	MAX
BLK	HTV	1	1
GRY	HTV	2	2
WHT	HTV	3	3
RED	HTV	4	4
BLU	HTV	5	5
GRN	HTV	6	6
ORP	HTV	7	7
YEL	HTV	8	8
BRN	HTV	9	9
PUR	HTV	10	10
SLV	HTV	11	11
WHI	HTV	12	12

FUNCTION	FUNCTION
S1	POWER OFF
S2	HTV VOLTAGE
S3	HTV CURRENT
S4	HTV LEAKAGE
S5	HTV SET POINT
S6	HTV SET POINT
S7	HTV SET POINT
S8	HTV SET POINT
S9	HTV SET POINT
S10	HTV SET POINT
S11	HTV SET POINT
S12	HTV SET POINT
S13	HTV SET POINT
S14	HTV SET POINT
S15	HTV SET POINT
S16	HTV SET POINT
S17	HTV SET POINT
S18	HTV SET POINT
S19	HTV SET POINT
S20	HTV SET POINT
S21	HTV SET POINT
S22	HTV SET POINT
S23	HTV SET POINT
S24	HTV SET POINT
S25	HTV SET POINT
S26	HTV SET POINT
S27	HTV SET POINT
S28	HTV SET POINT
S29	HTV SET POINT
S30	HTV SET POINT
S31	HTV SET POINT
S32	HTV SET POINT
S33	HTV SET POINT
S34	HTV SET POINT
S35	HTV SET POINT
S36	HTV SET POINT
S37	HTV SET POINT
S38	HTV SET POINT
S39	HTV SET POINT
S40	HTV SET POINT
S41	HTV SET POINT
S42	HTV SET POINT
S43	HTV SET POINT
S44	HTV SET POINT
S45	HTV SET POINT
S46	HTV SET POINT
S47	HTV SET POINT
S48	HTV SET POINT
S49	HTV SET POINT
S50	HTV SET POINT
S51	HTV SET POINT
S52	HTV SET POINT
S53	HTV SET POINT
S54	HTV SET POINT
S55	HTV SET POINT
S56	HTV SET POINT
S57	HTV SET POINT
S58	HTV SET POINT
S59	HTV SET POINT
S60	HTV SET POINT
S61	HTV SET POINT
S62	HTV SET POINT
S63	HTV SET POINT
S64	HTV SET POINT
S65	HTV SET POINT
S66	HTV SET POINT
S67	HTV SET POINT
S68	HTV SET POINT
S69	HTV SET POINT
S70	HTV SET POINT
S71	HTV SET POINT
S72	HTV SET POINT
S73	HTV SET POINT
S74	HTV SET POINT
S75	HTV SET POINT
S76	HTV SET POINT
S77	HTV SET POINT
S78	HTV SET POINT
S79	HTV SET POINT
S80	HTV SET POINT
S81	HTV SET POINT
S82	HTV SET POINT
S83	HTV SET POINT
S84	HTV SET POINT
S85	HTV SET POINT
S86	HTV SET POINT
S87	HTV SET POINT
S88	HTV SET POINT
S89	HTV SET POINT
S90	HTV SET POINT
S91	HTV SET POINT
S92	HTV SET POINT
S93	HTV SET POINT
S94	HTV SET POINT
S95	HTV SET POINT
S96	HTV SET POINT
S97	HTV SET POINT
S98	HTV SET POINT
S99	HTV SET POINT
S100	HTV SET POINT

NOTES:
 UNLESS OTHERWISE SPECIFIED
 ALL RESISTORS 1/2W, 5%,
 3 ARROWS ON POT WAFERS INDICATE DIRECTION OF
 COUNTERCLOCKWISE ROTATION.
 4 SPHERICAL IS SUBJECT TO CHANGE WITHOUT NOTICE.

⊕ CHASSIS CONNECTION

