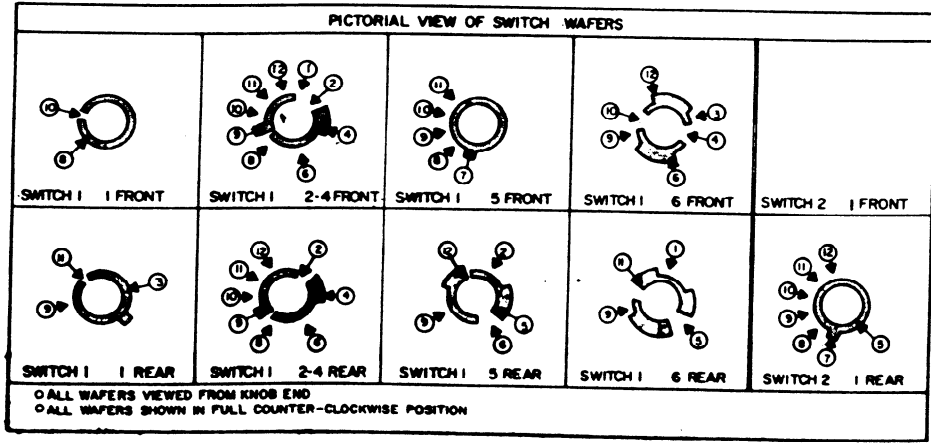


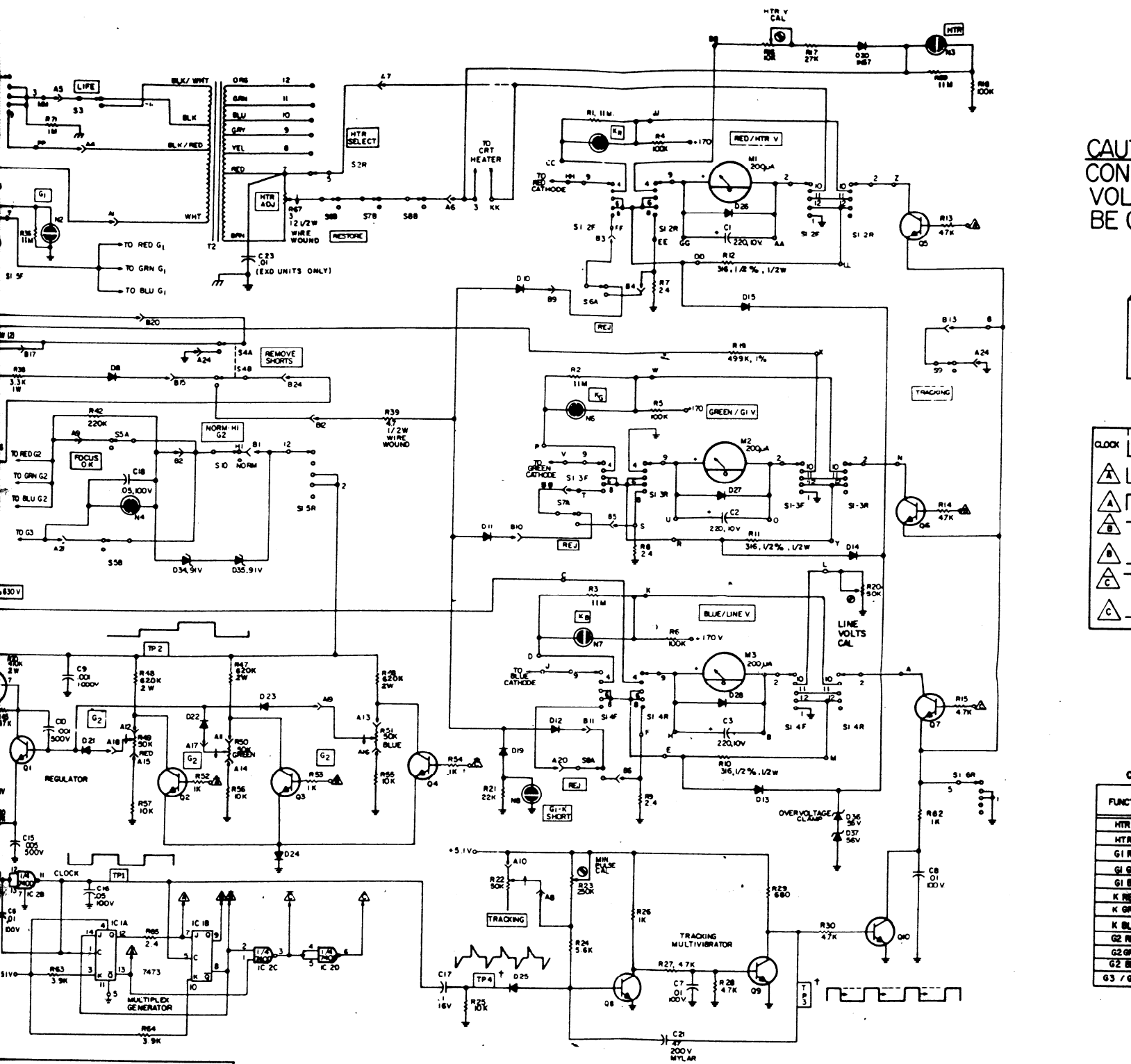
PICTORIAL VIEW OF SWITCH WAFERS



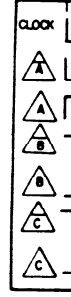
○ ALL WAFERS VIEWED FROM KNOB END
 ○ ALL WAFERS SHOWN IN FULL COUNTER-CLOCKWISE POSITION

SWITCH LEGEND (S1)

| POSITION | FUNCTION |
|----------|------------|
| 1 | POWER OFF |
| 2 | SET UP |
| 3 | SET CUTOFF |
| 4 | TEST |
| 5 | RESTORE |

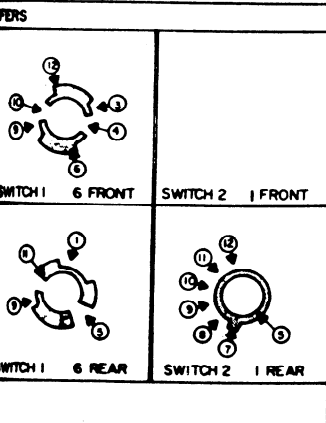


CAUTION
CONNECTIONS
VOLTS
BE CAREFUL



FUNCTION

| |
|--------|
| MTR |
| MTR |
| G1 R |
| G1 B |
| K R |
| K GR |
| K BL |
| G2 R |
| G2 GR |
| G2 B |
| G3 / 0 |



SWITCH LEGEND (S1)

| POSITION | FUNCTION |
|----------|------------|
| 1 | POWER OFF |
| 2 | SET UP |
| 3 | SET CUTOFF |
| 4 | TEST |
| 5 | RESTORE |

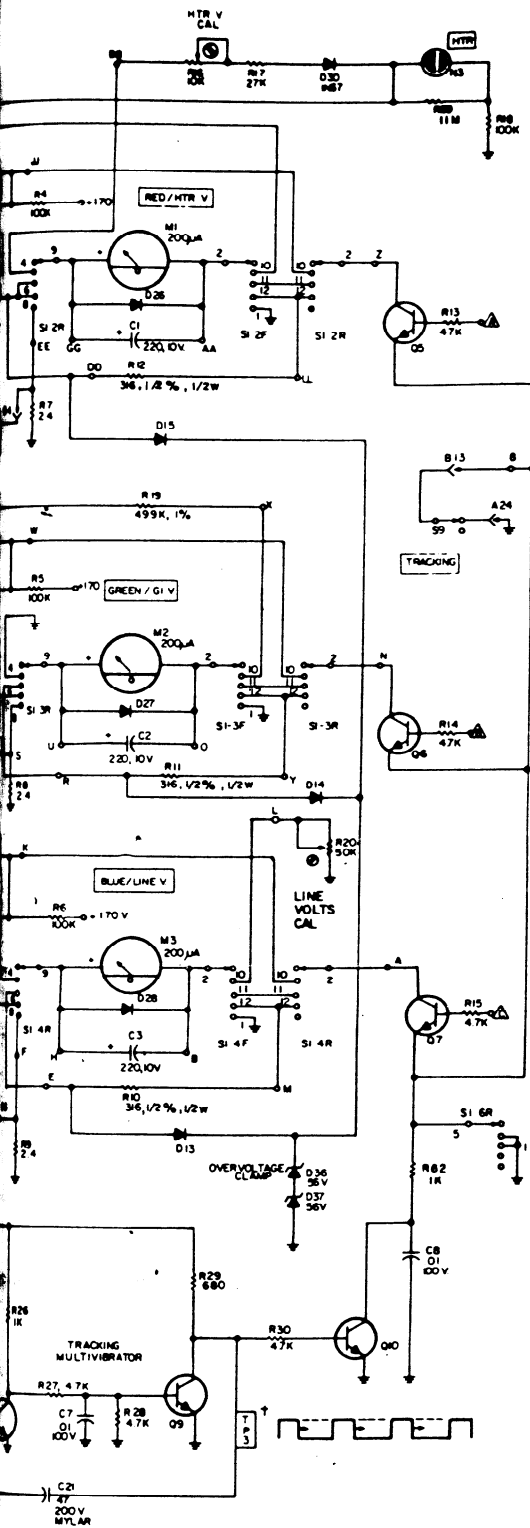
NOTE:

- ALL RESISTORS ARE 5%, 1/4W, UNLESS OTHERWISE SPECIFIED.
- ALL 1% RESISTORS ARE 1/2W, UNLESS OTHERWISE SPECIFIED.
- ALL CAPACITORS SHOWN IN MICROFARADS.
- ARROWS ON POT WIPERS INDICATE CLOCKWISE ROTATION.

5 THIS SCHEMATIC SUBJECT TO CHANGE WITHOUT NOTICE.
 6 Δ AND ∇ INDICATE LOGIC SYMBOLS
 7 ↓ CIRCUIT GND TO CHASSIS
 (T VARIES WITH CONTROL SETTINGS)

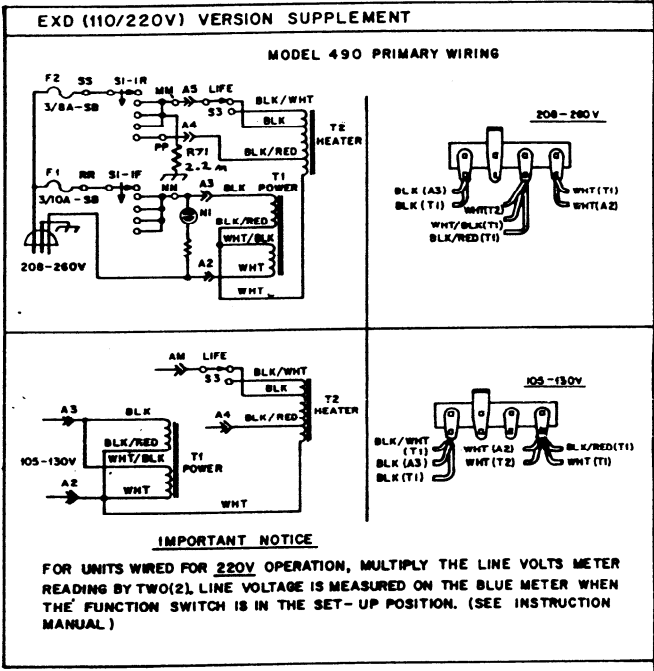
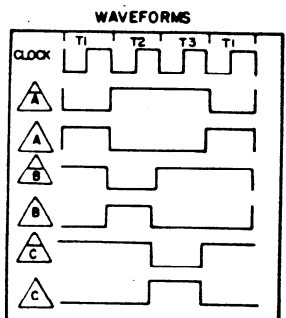
CIRCUIT

| |
|------------------|
| LAST NUMBER USED |
| C 23 |
| D 28 |
| I 2 |
| IC 2 |
| M 3 |
| N 8 |
| Q 10 |
| R 72 |
| S 11 |
| F 2 |
| T 2 |



CAUTION: THIS UNIT CONTAINS HIGH VOLTAGE SUPPLIES. BE CAUTIOUS WHEN SERVICING.

BK PRECISION
MODEL 490
488-318-9-001 C



OUTPUT CABLE

| FUNCTION | WIRE COLOR | PIN NO. |
|----------|------------|---------|
| HTR | BLK | 1 |
| HTR | BRN | 2 |
| GI RED | GRY | 3 |
| GI GRN | TAN | 4 |
| GI BLU | PUR | 5 |
| K RED | RED | 6 |
| K GRN | GRN | 7 |
| K BLU | BLU | 8 |
| G2 RED | ORG | 9 |
| G2 GRN | YEL | 10 |
| G2 BLU | PINK | 11 |
| G3 / G4 | WHT | 12 |

CIRCUIT SYMBOL LEGEND

| LAST NUMBER USED | NOT USED |
|------------------|----------|
| C 23 | 4 |
| D 28 | 16 |
| I 2 | |
| IC 2 | |
| M 3 | |
| N 6 | |
| Q 10 | |
| R 72 | |
| S 11 | |
| F 2 | |
| T 2 | |

NOTE:
 ALL RESISTORS ARE 5%, 1/4W, UNLESS OTHERWISE SPECIFIED.
 ALL 1% RESISTORS ARE 1/2W, UNLESS OTHERWISE SPECIFIED.
 ALL CAPACITORS SHOWN IN MICROFARADS.
 ARROWS ON POT. WIPERS INDICATE CLOCKWISE ROTATION.
 THIS SCHEMATIC SUBJECT TO CHANGE WITHOUT NOTICE.
 Δ AND □ INDICATE LOGIC SYMBOLS
 ↓ CIRCUIT GND (CHASSIS)
 ⊕ WITH CONTROL SETTINGS

| | |
|-------|--|
| ISSUE | SHEET 1 OF 1 |
| C | 488 318 9 001 |
| A | RELD FOR PURCHASE EK 10-26-88 |
| B | SHOW 3 WIRE CORD SET AT MAIN DIAGRAM RK 12-9-91 CN 781 |
| C | SHOW ALT R71 VALUE AT STD WIRING RK 7-29-92 CN 890 |

DYNASCAN CORPORATION
 1901 W. BELLE PLANE CHICAGO, ILLINOIS 60613

TITLE SCHEMATIC, 490

UNLESS OTHERWISE INDICATED:
 1. ALL DIMENSIONS ARE IN INCHES
 2. ALL DIMS ARE SHOWN UNLESS OTHERWISE SPECIFIED
 3. TOLERANCES:
 FRACTIONS ± .100
 DECIMALS ± .005
 HOLE ± .005
 ANGLES ± 0° 30'

ISSUE C

DATE 10-26-88

BY [Signature]

CHECKED [Signature]

APPROVED [Signature]

ISSUE C

SHEET 1 OF 1

488 318 9 001