

AD9361 Reference Manual

GENERAL INFORMATION

Complete specifications for the [AD9361](#) part can be found in the [AD9361](#) data sheet, which is available from Analog Devices, Inc., and should be consulted in conjunction with this user guide when using the evaluation board.

Additional information about the [AD9361](#) registers can be found in the [AD9361 Register Map Reference Manual](#). While the register map is provided as a convince and informational for those who want to understand the low level operation of the part, it is not recommended to attempt to create your own software. Analog Devices provides complete drivers for the [AD9361](#) for both bare metal/No-OS and operating systems (Linux). The [AD9361](#) and [AD9364](#) share the same API. The [AD9361](#) and [AD9364](#) drivers can be found at:

- [Linux](#) wiki page
- [No-OS](#) wiki page

Support for these drivers can be found at:

- [Linux](#) engineer zone page
- [No-OS](#) engineer zone page

TABLE OF CONTENTS

General Information	1	External LO	19
Revision History	4	Baseband PLL (BBPLL)	19
Introduction	5	BBPLL VCO	20
Terminology	5	BBPLL Charge Pump	21
Register and Bit Syntax	5	BBPLL Loop Filter	21
Initialization and Calibration	6	Fast Lock Profiles	22
Overview	6	Overview	22
Initialization Calibrations	7	Fast Lock Initial Wider BW Option	22
BBPLL VCO Calibration	8	Configuring and Using a Fast Lock Profile	23
RF Synthesizer Charge Pump Calibration	8	Fast Lock Pin Select	24
RF Synthesizer VCO Calibration	8	Enable State Machine Guide	25
Baseband Rx Analog Filter Calibration	9	Overview	25
Baseband Tx Analog Filter Calibration	10	ENSM State Definitions	25
Baseband Tx Secondary Filter	11	Modes of Operation	26
Rx TIA Calibration Equations	11	Sleep State	30
Rx ADC Setup	11	Filter Guide	31
Baseband DC Offset Calibration	11	Overview	31
Baseband DC Offset Tracking	11	Tx Signal Path	31
RF DC Offset Calibration	12	Tx Digital Filter Blocks	31
Rx Quadrature Tracking Calibration	13	Tx Analog Filter Blocks	32
Tx Quadrature Calibration	13	Rx Signal Path	33
Reference Clock Requirements	14	Rx Analog Filter Blocks	33
Overview	14	Rx Digital Filter Blocks	33
DCXO Setup and Operation	14	Digital Rx Block Delay	34
Reference Clock Setup and Operation	15	Gain Control	35
Phase Noise Specification	15	Overview	35
RF and BBPLL Synthesizer	16	Gain Control Threshold Detectors	36
Overview	16	LMT Overload Detector	36
RFPLL Introduction	16	ADC Overload Detector	36
AD9361 PLL Architecture	16	Low Power Threshold	36
Reference Block	16	Average Signal Power	36
Main PLL Block	17	Settling Times	37
Charge Pump Current	18	Peak Overload Wait Time	37
RFPLL Loop Filter	18	Settling Delay	37
VCO Configuration	18	Gain Table Overview	37
VCO Calibration	18	Full Table Mode	37
VCO Vtune Measurement	18	Split Table Mode	38
Lock Detector	18	Digital Gain	38
Synthesizer Look Up Table	19	MGC Overview	38
TDD Mode Faster Lock Times	19	Slow Attack AGC Mode	40

Slow Attack AGC Gain Update Time.....	40	Factory Calibrations	71
Overloads in Slow Attack AGC Mode.....	41	Overview	71
Slow Attack AGC and Gain Tables	41	Internal DCXO.....	71
Hybrid AGC Mode	42	Tx RSSI (Tx Monitor).....	71
Fast Attack AGC Mode.....	42	Rx RSSI	71
State 0: RESET	43	Rx GM/LNA Gain Step Calibration	72
State 1: Peak Overload Detect	43	Tx Power Out vs. Tx Attenuation and Tx Power Out vs. Carrier Frequency.....	72
State 2: Measure Power and Lock Level Gain Change	44	Control Output.....	73
State 3: Measure Power and Peak Overload Detect.....	44	Overview	73
State 4: Unlock Gain	44	Description of Control Output Signals	74
State 5: Gain Lock and Measure Power	45	0x035 = 0x00 (Calibration Busy and Done).....	74
Custom Gain Tables.....	47	0x035 = 0x01 (PLL Lock).....	75
Overview	47	0x035 = 0x02 (Calibration Busy)	75
RF DC Cal Bit.....	49	0x035 = 0x03 (Rx Gain Control)	75
Maximum Full Table/LMT Table Index.....	49	0x035 = 0x04 (Rx Gain Control)	76
External LNA	49	0x035 = 0x05 (Rx Gain Control)	76
Received Signal Strength Indicator (RSSI)	50	0x035 = 0x06 (Rx Gain Control)	76
Overview	50	0x035 = 0x07 (Rx Gain Control)	76
Mode Select and Measurement Duration	50	0x035 = 0x08 (Rx Gain Control)	76
RSSI Weighting.....	50	0x035 = 0x09 (RxOn, TxOn, RSSI)	77
RSSI Delay and RSSI Wait.....	50	0x035 = 0x0A (Digital Overflow)	77
RSSI Preamble and RSSI Symbol	51	0x035 = 0x0B (Calibration and ENSM States).....	77
RSSI RFIR.....	51	0x035 = 0x0C (Gain Control)	77
RSSI Gain Step Calibration.....	51	0x035 = 0x0D (Tx Quadrature and RF DC Calibration Status)	78
Transmit Power Control.....	55	0x035 = 0x0E (Rx Quadrature and BB DC Calibration Status)	78
Overview	55	0x035 = 0x0F (Gain Control)	78
Tx Attenuation Words	55	0x035 = 0x10 (Gain Control and RSSI)	78
Attenuation Word Update Options	55	0x035 = 0x11 (AuxADC Digital Output)	78
Tx Power Monitor	56	0x035 = 0x12 (Gain Control, Power Word Ready).....	78
Overview	56	0x035 = 0x13 (Gain Control, Power Word Ready).....	79
Tx Power Monitor Description	56	0x035 = 0x14 (Digital Overflow)	79
Input Matching/Attenuation Network.....	57	0x035 = 0x15 (DC Offset Tracking)	79
Tx Power Monitor Gain Control.....	58	0x035 = 0x16 (Gain Control)	79
TPM Dynamic Range	59	0x035 = 0x17 (Gain Control)	80
Example of Tx Mon Configuration and Measurement of TPM Transfer Function.....	59	0x035 = 0x18 (DC Offset Tracking, Power Word Ready)	80
TPM Test Mode.....	60	0x035 = 0x19 (Charge Pump Calibration States)	80
RF Port Interface	61	0x035 = 0x1A (Rx VCO and ALC Calibration States)	80
Overview	61	0x035 = 0x1B (Tx VCO and ALC Calibration States)	80
Rx Signal Path Interface	62	0x035 = 0x1C (Rx VCO Calibration States).....	80
Tx Signal Path Interface	69		

0x035 = 0x1D (Tx VCO Calibration States)	80	Dual Port TDD Functional Timing (CMOS)	101
0x035 = 0x1E (Gain Control, Temp Sense Valid, AuxADC Valid)	81	Dual Port Full Duplex Mode (CMOS)	103
0x035 = 0x1F (Gain Control).....	81	Dual Port FDD Functional Timing (CMOS)	104
AuxADC/AuxDAC/GPO/Temp Sensor	82	Data Bus Idle and Turnaround Periods (CMOS)	105
Overview.....	82	Data Path Timing Parameters (CMOS)	105
AuxDAC	82	LVDS Mode Data Path and Clock Signals	106
AuxADC	83	LVDS Mode Data Path Signals	107
Internal Temperature Sensor	84	LVDS Maximum Clock Rates and Signal Bandwidths	108
General Purpose Output Control.....	85	Dual Port Full Duplex Mode (LVDS).....	109
Baseband Synchronization	87	Data Path Functional Timing (LVDS).....	109
Overview.....	87	Data Path Timing Parameters (LVDS)	111
Multichip Synchronization.....	87	Serial Peripheral Interface (SPI)	113
Procedure.....	88	Additional Interface Signals.....	116
Synchronization Verification	89	Power Supply and Layout Guide	117
Digital Interface Specification.....	90	Overview	117
Overview.....	90	PCB Material And Stack Up Selection	117
CMOS Mode Data Path and Clock Signals.....	91	RF Transmission Line Layout.....	118
CMOS Maximum Clock Rates and Signal Bandwidths.....	92	Fan-out and Trace Space Guidelines	119
Single Port Half Duplex Mode (CMOS).....	93	Component Placement and Routing Guidelines	120
Single Port TDD Functional Timing (CMOS)	94	Power Management and System Noise Considerations.....	120
Single Port Full Duplex Mode (CMOS)	97	Power Distributions for Different Power Supply Domains	124
Single Port FDD Functional Timing (CMOS)	99	Rx LO Frequency Deviations Due to Power Supply	
Dual Port Half Duplex Mode (CMOS).....	100	Transients	126
		Related Links.....	128

REVISION HISTORY

6/15—Rev. 0 to Rev. A

Change to Table 50	108
--------------------------	-----

3/14—Revision 0: Initial Version

INTRODUCTION

TERMINOLOGY

AGC

Automatic gain control where an algorithm in the [AD9361](#) controls the receive path gain.

BBP

Baseband processor (or digital baseband).

BB

Baseband. Baseband received signals are those that have already been downconverted from RF. Baseband transmit signals are those that have not yet been upconverted to RF.

BB DC Cal

Baseband DC calibration. An on-chip calibration that reduces the DC power in the received data by adding digital correction words to the data between the Half-Band 1 filter and the receive FIR filter. See the Initialization and Calibration section for more information.

BBP

Baseband processor (or, digital baseband).

Cal

Calibration.

DC

Literally direct current. In this document, DC refers to undesired received power in the center of the complex received baseband spectrum.

ENSM

Enable state machine. This on-chip state machine moves the [AD9361](#) through its states and it also controls other functions within the [AD9361](#). See the Enable State Machine Guide section for more information.

FDD

Frequency division duplex in which transmit and receive signals can be present at the same time but use different frequencies

LMT

LNA, mixer, TIA. LMT refers to the LMT gain table as well as an analog peak detector that monitors the signal level at the input of the analog LPF. See the Gain Control section for more information.

LO

Local oscillator, which refers to the desired RF carrier frequency for the receiver and the transmitter.

LPF

Low-pass filter, which refers to the third-order analog low-pass filter preceding the receive ADC and following the transmit DAC.

LUT

Look up table, several calibration and functions depend on either reading or storing look up tables for future use.

MGC

Manual gain control where the BBP controls some or all of the gain control parameters in the [AD9361](#).

PLL

Phase locked loop. The [AD9361](#) uses PLLs to generate the various clock rates within the chip as well as the Tx and Rx LO frequencies.

RF

Radio frequency.

RF DC Cal

Radio frequency DC calibration is an on-chip calibration that reduces DC power in the received data by applying a compensating voltage between the LNA and the mixer. See the Initialization and Calibration section for more information.

TDD

Time division duplex in which transmit and receive signals can be present on the same frequency but at different times.

VCO

A voltage controlled oscillator (VCO) is a circuit in which the output frequency of the oscillator is controlled by an input voltage level. These VCOs are part of the PLLs on the [AD9361](#). The [AD9361](#) must calibrate the VCOs before the frequency they produce is accurate and stable.

REGISTER AND BIT SYNTAX

When a register with absolute bit locations is described in this user guide, the format is always in hex for the register and [Dx:Dy] for the bits. This format is best described by an example such as 0x016[D0], which equates to Register 0x016 (hex), and only the lowest bit of this register. Thus, the register and the bit locations are specifically delineated.

When describing the value of just a few bits, the following format is used: x'byyy.

where

x equals the number of bits described.

b indicates binary.

yyy represents three digital bits with values of 0 or 1.

As an example, if two bits equal 2'b01, then the LSB = 1 and the next higher bit = 0.

INITIALIZATION AND CALIBRATION

OVERVIEW

The AD9361 powers up into a sleep state for minimal power consumption. Before the AD9361 is operational, its clocks must be enabled and initial calibrations completed. The purpose of this section is to describe in detail the operation of the different initialization calibrations.

Table 1 lists the initialization calibrations documented in this section.

Table 1. Initialization Calibrations Detailed in this Section

Calibration	Run Frequency	Calibration Done Bit
BBPLL VCO calibration	Once; any time BBPLL frequency changes	0x5E[7], 1 when locked
RF synthesizer charge pump calibration	Once	Rx: 0x244[7], 1 when done Tx: 0x284[7], 1 when done
RF synthesizer VCO calibration	Occurs automatically when integer frequency word written. In TDD, occurs when TXNRX changes logic level.	Rx: 0x247[1], 1 when locked Tx: 0x287[1], 1 when locked
Baseband Rx analog filter tune	Once; update when BW changes	0x016[7], self clears when done
Baseband Tx analog filter tune	Once; update when BW changes	0x016[6], self clears when done
Baseband Tx secondary filter tune	Once; manual equations, update when BW changes	
Rx TIA calibration	Once; manual equations, update when BW changes	
Rx ADC setup	Once; manual LUT or equations, update when ADC sampling rate changes	
Baseband DC offset	Once	0x016[0], self clears when done
RF DC offset	Any time LO frequency changes more than 100 MHz	0x016[1], self clears when done
Rx quadrature calibration	Any time LO frequency changes more than 100 MHz	Tracking runs continuously
Tx quadrature calibration	Any time LO frequency changes more than 100 MHz	0x016[4], self clears when done

INITIALIZATION CALIBRATIONS

Initialization calibrations are calibrations that must be run each time the AD9361 device is powered up or hard reset using the RESETB pin. Several of the calibrations only need to run once during initialization and do not re-run during operation.

Others are dependent on the carrier frequency, temperature, or other parameters and need to run initially and when certain events occur (such as changing the carrier frequency more than 100 MHz). As long as power is applied to the AD9361 device, the calibration results are stored, including while in the SLEEP state.

The six calibrations in the calibration control are part of a calibration sequence state machine. After a calibration completes, the bit that was set to initialize the calibration will self clear. If more than one calibration is enabled in a single register write, the calibrations will progress in a set order controlled by a state machine in the AD9361. Table 2 shows the sequence of calibrations. When the calibration sequence state holds a value of 0x1, the calibrations are complete. Some calibrations depend on the results of previously run calibrations. The Rx baseband filter and Tx baseband filter calibrations are not part of the calibration sequence state machine, and should run only when all other calibrations are not running.

Table 2. Automatic Calibration Sequence and Calibration Status

Calibration Sequence State[3:0]	Active Calibration
0x0	Calibration WAIT state
0x1	Calibrations done
0x2	Baseband DC offset calibration
0x3	RF Rx DC offset calibration
0x4	Tx1 quadrature calibration
0x5	Tx2 quadrature calibration
0x6	Rx1 quadrature calibration
0x7	Rx2 quadrature calibration
0x8	Tx monitor calibration (DC offset)
0x9	Rx GM\LNA gain step calibration
0xA to 0xF	Flush states

BBPLL VCO CALIBRATION

The BBPLL VCO calibration must be run during initialization of the AD9361 device. This calibration is run as part of the `ad9361_bbpll_set_rate` function. The maximum calibration time is calculated in Equation 1.

$$BBPLL_{\max VCOcalTime} = \left(\frac{\text{DivideSetting}}{\text{REF_CLK} \times \text{Scale}} \right) \times 3456 \quad (1)$$

RF SYNTHESIZER CHARGE PUMP CALIBRATION

The charge pump calibration must be run once during initialization of the AD9361 device. This calibration matches the up and down currents for the RF PLL's charge pump, and is run during the `ad9361_txrx_synth_cp_calib` function. This calibration must be run the first time the AD9361 device enters the ALERT state. The calibration completes after a maximum of 36864 (`Scaled_REF_CLK_IN`) cycles.

RF SYNTHESIZER VCO CALIBRATION

The AD9361 contains two synthesizers. When using TDD mode, the Rx synthesizer is only enabled when TXNRX is low. The Tx synthesizer is only enabled when TXNRX is high. During initial calibrations, it is recommended to set the AD9361 device into FDD mode to enable both synthesizers while in the ALERT state to simplify calibrations.

The VCO calibration is run during the `ad9361_set_rx_lo_freq` and `ad9361_set_tx_lo_freq` functions. First, set up any synthesizer setup registers, then write the fractional frequency words, followed by the integer frequency word last. The calibration time can be traded off with calibration accuracy. It is recommended for FDD applications, to use the longest calibration for better accuracy since once in the FDD state, it may be a long time before a synthesizer VCO calibration occurs again. In TDD, the calibration time will need to be set to meet the TDD turnaround time, while achieving the most accurate calibration possible. In TDD, the Rx VCO calibration will occur each time the receiver synthesizer is powered up (when TxRNX switches from high to low logic level). The Tx VCO calibration will occur each time the transmitter synthesizer is powered up (when TXNRX switches from low to high logic level). See Equation 2 for the calibration time.

The VCO calibrations can be masked (disabled) for certain cases such as the fast lock synthesizer mode, or when an HFDD application is required. Using the FDD Synth LUT instead of the TDD Synth LUT could be used to acquire a temperature stable lock for cases where there is not time to run the VCO calibration in TDD.

Calibration completion can be detected by reading the Rx PLL Lock bit and the Tx PLL Lock bit. The lock bits will read Logic 1 when the PLLs are locked. The bits are also available on the control output pins.

$$RFPLL_{\max VCOcalTime,us} = 2_{us} + wait_2 + \left(\frac{12 + N_{count}}{\text{REF_CLK} \times \text{Scale}} + wait_{ALC} \right) \times 9 \quad (2)$$

where:

$$wait_2 = \frac{8}{REF_{CLK}} + \frac{18}{(REF_{CLK} \times \text{Scale})}$$

$$wait_{ALC} = \left(\frac{40}{REF_{CLK} \times \text{Scale}} \right)$$

$$N_{count} = 2^{(7 + \text{VCO Cal Count})}$$

Table 3. Example Calculated VCO Calibration Times for FDD Default Settings

VCO Cal Count	REF_CLK	Scale	wait ₂ (μs)	wait _{ALC} (μs)	N _{count}	Calibration Time (μs)
3	19.20	2	0.885	1.042	1024	255.073
3	30.72	2	0.553	0.651	1024	160.171
3	40.00	2	0.425	0.500	1024	123.475

Table 4. Example Calculated VCO Calibration Times for TDD Defaults

VCO Cal Count	REF_CLK	Scale	wait ₂ (μs)	wait _{ALC} (μs)	N _{count}	Calibration Time (μs)
1	19.20	2	0.885	1.042	256	75.073
1	30.72	2	0.553	0.651	256	47.671
1	40.00	2	0.425	0.500	256	37.075

BASEBAND Rx ANALOG FILTER CALIBRATION

The baseband Rx analog filter calibration tunes the cutoff frequency of the third-order Butterworth Rx anti-aliasing filter. The Rx filter is located just before the ADC in the Rx signal path and is normally calibrated to 1.4× the baseband channel bandwidth (BBBW). This calibration is important for Rx interferer rejection. Note that the BBBW is half the complex bandwidth and coerced between 28 MHz to 0.20 MHz for the equations used in this filter tuning. To calibrate this filter, the BBPLL is divided down using a divide by 1 to 511 divider dedicated to the Rx tuner block.

$$Divider = \text{ceiling} \left(\frac{BBPLL_{MHz} \times \ln(2)}{BBBW_{DESIRED, MHz} \times 2.8 \times \pi} \right) \quad (3)$$

The Rx baseband analog filter calibration runs during the `ad9361_set_rx_rf_bandwidth` function. Calibration completion can be monitored on a control output pin or by reading the calibration control register until the Rx baseband filter calibration bit self clears.

Because the filter calculation uses a ceiling function to generate the divider there will be some quantization of the corner frequency. If the quantization is too large it may be necessary to adjust the desired BBBW to compensate.

$$BBBW_{ACTUAL, MHz} = \frac{BBPLL_{MHz} \times \ln(2)}{2.8 \times \pi \times Divider} \quad (4)$$

$$Calibration\ Time_{\mu s} = 610 \times \frac{\ln(2)}{BBBW_{ACTUAL, MHz} \times 2.8 \times \pi} \quad (5)$$

Table 5. Typical Rx Baseband Filter Calibration Times

Standard	Desired BBBW (MHz)	BBPLL Frequency (MHz)	RxBBF Divider (decimal)	Actual BBBW (MHz)	Maximum Calibration Time (μs)
LTE 5 MHz	2.5	983.04	31	2.499	19.236
LTE 10MHz	5	983.04	16	4.841	9.928
LTE 15 MHz	7.5	737.28	8	7.262	6.619
LTE 20 MHz	10	983.04	8	9.683	4.964

BASEBAND Tx ANALOG FILTER CALIBRATION

The baseband Tx analog filter calibration tunes the cutoff frequency of the third-order Butterworth Tx anti-imaging filter. The Tx filter is located just after the DAC in the Tx signal path and is normally calibrated to 1.6× the BBBW. Note that the BBBW is half the complex bandwidth and coerced between 20 MHz to 0.625 MHz for the equations used in this filter tuning. To generate this Tx tune clock, the BBPLL is divided down using a divide by 1 to 511 divider dedicated to the Tx tuner block.

$$Divider = ceiling \left(\frac{BBPLL_{MHz} \times \ln(2)}{BBBW_{DESIRED, MHz} \times 3.2 \times \pi} \right) \quad (6)$$

The Tx baseband analog filter calibration runs as part of the `ad9361_set_tx_rf_bandwidth`. Calibration completion can be monitored on a control out pin or by reading calibration control until the Tx baseband filter calibration bit self clears.

$$BBBW_{ACTUAL, MHz} = \frac{BBPLL_{MHz} \times \ln(2)}{3.2 \times \pi \times Divider} \quad (7)$$

$$Calibration\ Time_{\mu s} = 355 \times \frac{\ln(2)}{BBBW_{ACTUAL, MHz} \times 3.2 \times \pi} \quad (8)$$

Similar to the baseband Rx analog filter, there is quantization of the corner frequency for the Tx analog filter as well. If the quantization becomes too large it may be necessary to adjust the desired BBBW.

Table 6. Typical Tx Baseband Filter Calibration Times

Standard	Desired BBBW (MHz)	BBPLL Frequency (MHz)	TxBBF Divider (decimal)	Actual BBBW (MHz)	Max Calibration time (μs)
LTE 5 MHz	2.5	983.04	28	35.1086	10.1115
LTE 10MHz	5	983.04	14	70.2171	5.0558
LTE 15 MHz	7.5	737.28	7	105.326	3.3705
LTE 20 MHz	10	983.04	7	140.434	2.5278

BASEBAND Tx SECONDARY FILTER

The baseband Tx secondary filter is a tunable single pole filter after the baseband Tx analog filter. The Tx secondary filter corner is ideally set to 5 times the baseband bandwidth to help filter out of band Tx noise emissions. This filter is programmed when the `ad9361_set_tx_rf_bandwidth` function is called.

Rx TIA CALIBRATION EQUATIONS

The Rx transimpedance amplifier (TIA) is located between the mixer and Rx baseband analog filter. The TIA has two gain settings (0 dB gain and -6 dB gain), and applies a single pole filter with a corner at 2.5× the baseband bandwidth. The corner frequency of the Rx TIA is programmed when the `ad9361_set_rx_rf_bandwidth` function is called. When the gain index in the [AD9361](#) Rx gain table changes the Rx TIA gain setting, the [AD9361](#) device will automatically scale the amplifier to maintain the same corner frequency.

Rx ADC SETUP

The receive ADC is a third-order continuous time delta-sigma modulator and is highly programmable. The values in many of the ADC registers change with sampling clock frequency while others do not change but the correct initial settings are critical for proper operation. The ADC is programmed with the `ad9361_set_rx_rf_bandwidth` function.

BASEBAND DC OFFSET CALIBRATION

It is recommended to run the baseband DC offset calibration once during device initialization in the ALERT state. Since the

baseband signal path does not change with different wireless standards or clock frequencies, it should not need to be run again. The baseband DC offset correction values are stored for all of the Rx analog baseband filter gain steps. The correction words are applied as the Rx gain changes based on the current Rx gain table index. This calibration is run during the `ad9361_bb_dc_offset_calib` function call.

The one-shot baseband DC offset calibration will complete in a finite time depending on the device settings. The calibration time is 404,000 ClkRF cycles.

BASEBAND DC OFFSET TRACKING

Baseband DC offset tracking should be used in conjunction with the RF DC offset tracking option. A high-pass filter loop is utilized to track DC changes caused by the RF DC offset and Rx quadrature correction block. The speed and accuracy of the BB DC tracking loop are configurable. Also, an option exists for the BB DC offset tracking to attack/settle quickly after a gain change and then after a certain time switch to slower DC offset tracking updates. When using the tracking mode, first run an initial one-shot baseband DC offset calibration to minimize any static DC offsets in the signal chain. Then enable tracking along with the desired tracking loop settings. Baseband DC offset tracking is enabled in the `ad9361_tracking_control` function call.

RF DC OFFSET CALIBRATION

The RF DC offset calibration should be run once during initialization, or potentially when moving to a new carrier frequency that is more than 100 MHz away from the previous carrier frequency. This calibration should be run in the ALERT state while the Rx synthesizer is enabled. The calibration is run during the `ad9361_rf_dc_offset_calib` function. The internal calibration results LUT stores separate results for the RF Rx A input. If using the RF Rx B or C inputs along with the RF Rx A input, you should run the calibration twice, once with each input band selected. After calibrating each band, switching between from the A input to the B or C input should not require another calibration. Since the B and C inputs use the same calibration results, switching from Input B to Input C may require running the RF DC offset calibration.

When using the full Rx gain table, the RF DC offset calibration only calibrates at gain indexes that are designated to calibrate in the Rx gain table. This is because several consecutive gain steps may leave the front end gain at the same setting, while only changing baseband gain settings. The RF DC offset correction is only designed to remove DC offset due to the RF parts of the signal chain. By only running the calibration at gain indexes

that actually change the front end gain, the calibration time is reduced. If the LUT does not hold a DC correction value for the current Rx gain index, it will use the DC offset correction for the next higher gain index that was calibrated. In the case of a split Rx gain table, the calibration runs at each LMT gain index.

The RF DC offset tracking is enabled by with the `ad9361_tracking_control` function. The tracking triggers an RF DC offset update based on three events: Rx gain change, no energy detected, or when the ENSM exits the Rx state. The DC Offset Update bit field setting allows enabling or disabling any combination of these events. Disabling RF DC offset tracking would use the initially calibrated RF DC offset and never update the correction words.

The calibration time and accuracy is calculated using Equation 9 and Equation 10. The calibration begins at minimum gain (index = 0) and moves toward maximum gain. The RF DC offset correction for each enabled Rx gain index is stored in a LUT and applied when the Rx gain index is used. If the full Rx gain table is used, the RF DC offset is calibrated only at gain indexes specified to calibrate in the Rx gain table. If the Rx gain table is split, the Number of Enabled Gain indexes in Equation 10 equals 41 gain steps.

$$\text{Length Of Each Average} = \{(\text{RF DC Offset Count} \times 256) + 255\} + 32 \quad (9)$$

$$\text{Total Calibration time}_{(\text{CLKRF Clock Cycles})} = 21 \times \text{Length Of Each Average} \times (\text{Number of Enabled Gain indexes} + 1) \quad (10)$$

Rx QUADRATURE TRACKING CALIBRATION

The Rx quadrature tracking uses the Rx data to continuously minimize the phase and gain error in the receive path. The tracking algorithm is configured and enabled in the `ad9361_tracking_control` function. As soon as the AD9361 ENSM enters the Rx or FDD state, the tracking will begin minimizing the quadrature error.

Tx QUADRATURE CALIBRATION

The Tx quadrature calibration uses a calibration signal internally to minimize the Tx DC offset, gain, and phase errors to improve the performance of the transmit chain. The `ad9361_tx_quad_calib` function configures and runs this calibration during initialization in the ALERT state. Completion of the calibration can be monitored by reading the Calibration Control register until the appropriate bit self clears. When changing the carrier frequency, a much faster refresh calibration can be initiated if desired to update the Tx offset, gain and phase error corrections. It is also recommended to refresh the calibration results if the device temperature changes dramatically. The AuxADC can be used to measure the device temperature using the internal temperature sensor, and to know when to refresh the Tx quadrature calibration.

The Tx quadrature calibration is a convergence algorithm, but has a maximum calibration time described in the following paragraphs. Equation 11 calculates the number of CLKRF clock

cycles used for maximum calibration time. CLKRF is the clock rate at the output of the Tx FIR filter (after Tx FIR interpolation).

$$TX_{QuadcalTime(CLKRFclockcycles)} = \#TxChannels \times 94464 \quad (11)$$

The Tx quadrature calibration stores a separate set of calibration results for the Tx_A and Tx_B output paths. If using both the Tx_A output and the Tx_B outputs, run the calibration twice, once with each output path selected.

To setup the Tx quadrature calibration first make sure that the NCO frequency is within the Rx baseband filter bandwidth. Depending on the digital filter configuration, it may be necessary to sweep the NCO phase offset to find the optimal setting. More information on the setup of this phase sweep can be found in the Tx Quad Cal FAQ on the AD9361 Engineer Zone website.

If using a custom Rx gain table, verify that the Tx quadrature calibration gain index in register Tx quad full/LMT gain points to an index with the TIA index = 1 and LPF index = 0. When using a split gain table, Register Tx Quad Full/LMT Gain should point to a gain index with TIA index = 1. For a split gain table, set the LPF index in Register Tx Quad LPF Gain to a value of 0x00.

REFERENCE CLOCK REQUIREMENTS

OVERVIEW

The AD9361 uses fractional-n phase locked loops (PLLs) to generate the transmitter and receiver local oscillator (LO) frequencies as well as the oscillator (the baseband PLL) used for the data converters, digital filters, and I/O port. These PLLs all require a reference clock input, which can be provided by an external oscillator or by an external crystal (XO) and a digitally programmable on-chip variable capacitor. The capacitor fine-tunes the resulting reference clock frequency. This combination of XO and trimming capacitor is collectively referred to as the DCXO.

Applications such as wireless base stations require that the reference clock lock to a system master clock. In these situations, use an external oscillator such as a VCTCXO in conjunction with a synchronizing PLL such as the AD9548. Wireless user equipment (UE), however, does not typically need to be locked to a master clock but they do need to adjust the LO frequency periodically to maintain connection with a base station. The base station (BTS) occasionally informs the UE of its frequency error relative to the BTS. By adjusting the trimming capacitor, the baseband processor can adjust the reference clock frequency and thus the LO frequency as needed.

The RFPLLs and the BBPLL should maintain minimal frequency drift with temperature. However, typical XOs have an S curve response of frequency vs. temperature, making it more difficult for a baseband processor to correct the frequency error at startup and during operation.

This section describes the setup, operation, and recommended specification of the DCXO and reference clock.

DCXO SETUP AND OPERATION

To use the DCXO, connect an external crystal (XO) between the XTALP and XTALN pins of the AD9361. Valid crystal resonant frequencies range from 19 MHz to 50 MHz. The crystal must be an AT cut fundamental mode of vibration with a load capacitance of 10 pF.

By adjusting a capacitor within the AD9361, the resulting DCXO frequency can be adjusted to compensate for XO frequency tolerance and stability. This adjustment is enabled using the `ad9361_set_dcxo_tune` function. The resolution of the DCXO varies with coarse word with a worst-case resolution (at coarse word = 0) of 0.0125 ppm. Using both coarse and fine words, the DCXO can vary the frequency over a ± 60 ppm range.

Using a bench test, nominal DCXO trimming words should be determined and then used in during initialization. These nominal words should be written before the BBPLL is calibrated. After initialization (after the BBPLL and RFPLLs are programmed, calibrated, and locked), the DCXO words may be written at any time.

Figure 1 shows the variation of DCXO frequency over all possible variations of coarse and fine word. The XO nominal frequency used in this test was 40 MHz.

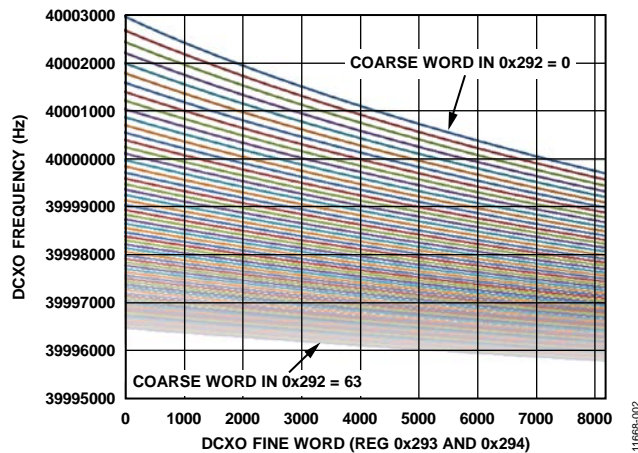


Figure 1. DCXO Frequency vs. Coarse and Fine Words

REFERENCE CLOCK SETUP AND OPERATION

If the DCXO is not used, an external reference clock needs to be ac-coupled to XTALN (Pin M12). XTALP (Pin M11) is not connected (leave floating). The clock frequency must be between 5 MHz and 320 MHz, and can be scaled by $1\times$, $\frac{1}{2}\times$, $\frac{1}{4}\times$ and $2\times$ using BBPLL, Rx and Tx reference dividers. The valid frequency range for the RFPLL phase detectors is 10 MHz to 80 MHz, and the scaled frequency of the reference clock must be within this range. For optimum phase noise it is recommended to operate the scaled clock as close to 80 MHz as possible. The selection between DCXO and external reference clock is made in the `ad9361_init` function.

The level for the clock should be 1.3 V p-p maximum (lower swings can be used but will limit performance). This signal can be a clipped sine wave or a CMOS signal. The best performance will be seen with the highest slew rate possible.

The XTALN (Pin M12) has an input resistance of $\sim 10\text{ k}\Omega$ in parallel with 10 pF.

PHASE NOISE SPECIFICATION

The AD9361 Rx and Tx RFPLLs use the DCXO or external clock as their reference clock as well. For this reason, it is extremely critical that the crystal or clock source have very low phase noise. The recommended phase noise specification is shown in Figure 2.

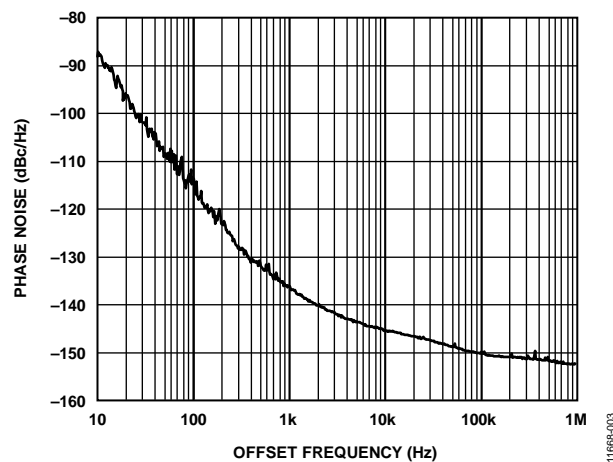


Figure 2. Phase Noise vs. Offset Frequency

RF AND BBPLL SYNTHESIZER

OVERVIEW

The AD9361 transceiver contains two identical RFPLL synthesizers to generate the required LO signals, which are programmed independently. One is programmed for the Rx channel and the other for the Tx channel. The transceiver also contains a BBPLL synthesizer to generate the required sampling and internal operational clocks. The PLL synthesizers are all of fractional-N architecture with completely integrated VCOs and loop filters. They require no external parts to cover the entire frequency range of the device. This configuration allows the use of any convenient reference frequency for operation on any channel with any sample rate. For FDD operation, the frequency of Tx and Rx can be the same or different, and both RFPLL synthesizers operate simultaneously. For TDD operation, the RFPLL synthesizers alternately turn on as appropriate for Rx and Tx frames.

RFPLL INTRODUCTION

The fundamental frequency of the RFPLLs is from 6 GHz to 12 GHz. Local oscillator frequencies ranging from 47 MHz to 6 GHz are created by dividing the PLL frequency. The Rx PLL is configured and calibrated using the `ad9361_set_rx_lo_freq` function, and the Tx PLL is configured using the `ad9361_set_tx_lo_freq` function. Each synthesizer must be configured and calibrated separately.

AD9361 PLL ARCHITECTURE

The following sections show block diagrams of the AD9361 PLL that consist of the reference block, the main PLL block, and the LO GEN output block. The VCO always operates between 6 GHz to 12 GHz.

REFERENCE BLOCK

The reference frequency can be generated via the on-chip DCXO or an external clock source can provide this input to the device. A MUX selects the desired source. The reference is then split and applied to three independent conditioning blocks also known as ref dividers. The conditioning blocks provide four options such that the PLL reference frequency, F_{REF} , (the loop reference applied to the PLL phase detector) is either buffered, doubled, halved, or divided by 4. Independent blocks make it possible to have a different F_{REF} for the RF and BBPLLs. The reference scalers will be set by the `ad9361_init` function. For best RFPLL performance, Analog Devices recommends selecting a reference clock or crystal that will be able to scale as close to 80 MHz as possible.

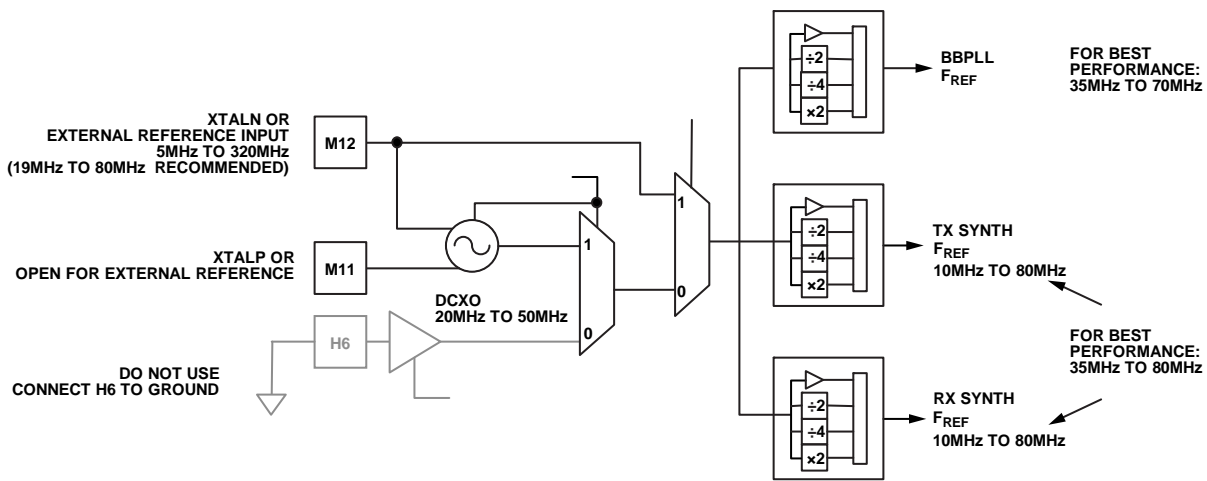


Figure 3. PLL Reference Block

1168B-004

MAIN PLL BLOCK

The independent Rx and Tx PLLs use fractional-N techniques to achieve the channel synthesis. The entire PLL is integrated on-chip, including the VCO and the loop filter. The PLL always operates over the range of 6 GHz to 12 GHz. The charge pump current is programmable as are all of the loop filter components allowing optimization of performance parameters for almost any application.

Configuration for a given frequency consists of a combination of calculating the required divider values and referring to an Analog Devices supplied lookup table to configure the VCO for stable performance over temperature. The main PLL output is divided by the VCO divider block to create the frequency bands that allow the device to operate continuously from 70 MHz to 6 GHz. Figure 5 shows how the bands are created. The synthesizer configuration registers, loop filter, integer and fractional words, and VCO divider are calculated in the `ad9361_rx_lo_freq` and `ad9361_tx_lo_freq` function calls.

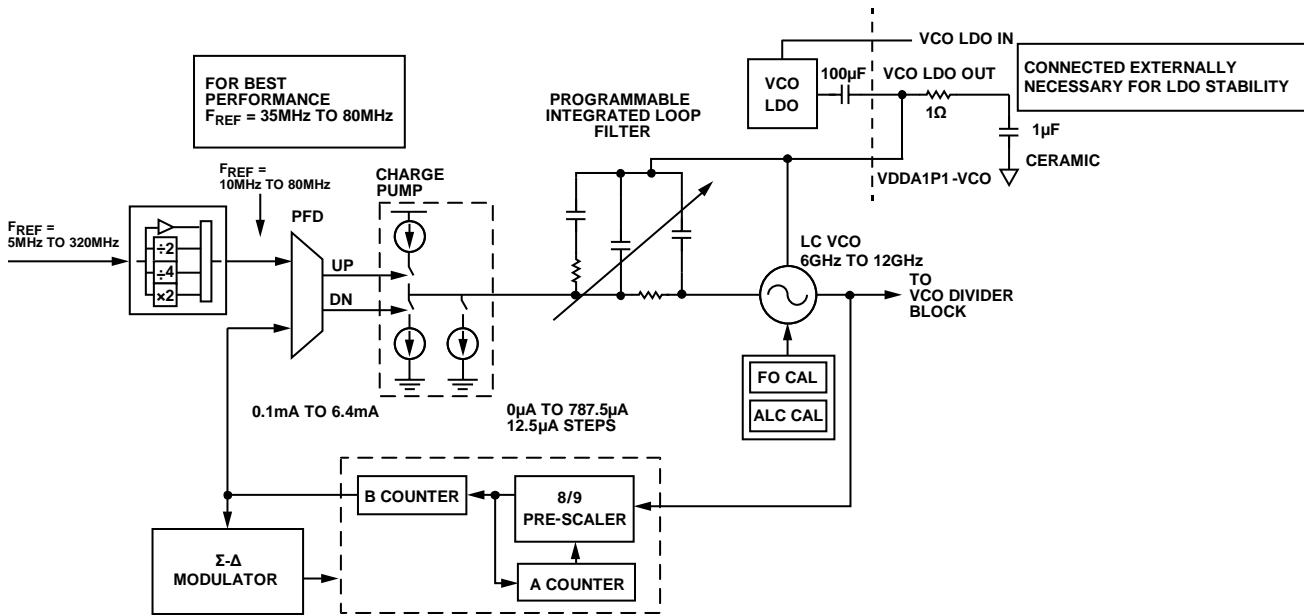


Figure 4. PLL Synthesizer Block Diagram (Rx and Tx Synthesizers are Identical)

11668-005

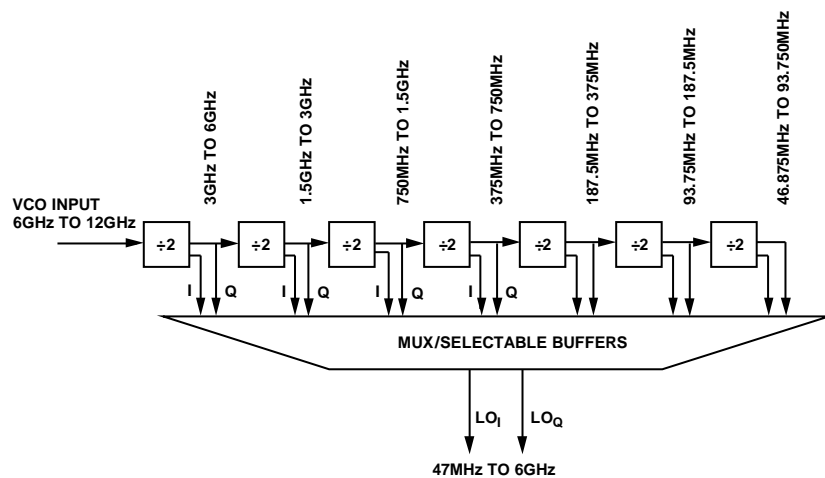


Figure 5. VCO Divider

11668-006

CHARGE PUMP CURRENT

The charge pump current is 6-bit programmable and varies from 0.1 mA to 6.4 mA with 0.1 mA steps. The charge pump current needs to be calibrated during initialization, and can then use the Analog Devices supplied LUTs during operation.

RFPLL LOOP FILTER

The RFPLL loop filter is fully integrated on-chip and is a standard passive Type II third-order filter with five 4-bit programmable components (see Figure 6). The loop filter values are included in the Analog Devices provided synthesizer LUTs and should not be modified.

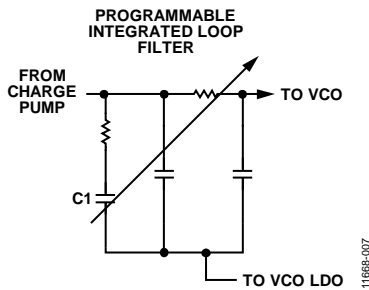


Figure 6. Loop Filter

VCO CONFIGURATION

VCO configuration consists of writing a few static registers from an Analog Devices provided lookup table and then enabling an automatic calibration procedure to configure the VCO tune voltage (Vtune) and ALC. The VCO calibration is triggered in one of three ways: when going from wait state to alert state, when going from the synthesizer power-down state to the alert state (TDD), or writing the LSBs of the Rx or Tx frequency integer word. All LUT writes for the VCO, loop filter, and other synthesizer settings should be written into the chip before triggering the VCO calibration. Note that charge pump calibration should be completed before a VCO calibration is started.

When in TDD mode using hardware (ENABLE/TXNRX) control and the device state machine is in the ALERT state, the synthesizers power up and down with the state of the TXNRX control line. A typical example sequence for TDD operation is Rx-ALERT-Tx-ALERT-Rx. The BB controller sets the level of the TXNRX line in ALERT to steer the device into the correct next state. Then state machine advances to the next state with the following ENABLE edge. During ALERT, as the BB controller changes the level of TXNRX from low to high, the Rx synthesizer turns off, the Tx synthesizer will turn on, and a Tx VCO calibration will be triggered. Similarly, during a following cycle, as the BB controller changes the state of TXNRX from HIGH to LOW, the Tx synthesizer turns off, the Rx synthesizer will turn on, and a Rx VCO calibration will be triggered. Operationally, the BB processor should transition the TXNRX line shortly after entering the alert mode so that the synthesizer has as much of the time as possible between frames to calibrate and lock. Typical TDD calibration plus lock times are on the

order of 45 μ s to 60 μ s. For faster lock times, refer to the TDD Mode Faster Lock Times section.

VCO CALIBRATION

The time the calibration takes to complete is programmable. Usually a fast calibration is appropriate for TDD systems, and a slow calibration is appropriate for FDD. For TDD, the synthesizer will only be on for a short time, so the danger that temperature drift would cause it to lose lock is small. For FDD, the synthesizer could potentially be locked indefinitely, so a longer more accurate calibration is called for to ensure that Vtune is sufficiently centered. Example calibration times are shown in the RF Synthesizer VCO Calibration section.

The device includes a Fast Lock mode that makes it possible to achieve faster than normal frequency changes by storing all synthesizer programming information, including the VCO cal result of this section, into either device registers or the BB processor memory space to be recalled at a later time. See the Fast Lock Profiles section for details.

VCO VTUNE MEASUREMENT

For debug purposes, the Vtune voltage can be output to a package pin. The Vtune voltage is MUXed with the corresponding (Rx or Tx) EXT_LO_IN pin. This is configured by setting the Vtune Out bit, 0x23B[6] (Rx) or 0x27B[6] (Tx). For normal operation, these bits should be cleared.

LOCK DETECTOR

A lock detector bit is provided to indicate that the corresponding synthesizer has achieved lock in the configured number of clock. The lock detector is configured by setting the mode and count values in the Lock Detect Config registers.

The Lock Detect Count bits set the maximum time allowed for the RFPLL to lock. If it locks within the specified time, the lock bits go high. The time is measured in reference clock cycles per Table 7. It is recommended to use at least 1024 reference clock cycles.

Table 7. Lock Detect Count

Lock Detect Count (decimal)	Reference Clock Cycles
0	256
1	512
2	1024
3	2048

The Lock Detect Mode bits set the lock detect mode of operation per Table 8. It is recommended to use run lock detect continuously mode.

Table 8. RFPLL Lock Detect Mode

Lock Detect Mode (Decimal)	RFPLL Lock Detect Mode
0	Disable lock detect
1	Run lock detect once, when RFPLL is enabled
2	Run lock detect continuously
3	Do not use

SYNTHESIZER LOOK UP TABLE

Analog Devices provides synthesizer LUTs to generate the static register writes needed for the VCO and loop filter. There is a set of tables for FDD operation and a set of tables for TDD operation. Each set of tables covers the entire VCO frequency range, as well three different RFPLL loop reference frequencies. The FDD tables enable the VCO temperature compensation with the intent that the user will use longer, more accurate calibration times for the device to remain in operation indefinitely. In the TDD tables, the temperature compensation is not enabled, because it is assumed that the VCO will be calibrated between Tx and Rx frames. If temperature compensation is required in a TDD operation then the FDD tables can be used during the TDD synthesizer calibrations.

The provided LUTs are separated into three tables for 40 MHz, 60 MHz, and 80 MHz reference frequencies. The correct table to use is the one that closest matches the loop F_{REF} for the operating mode. Refer to Table 9 for LUT selection based on scaled reference frequency.

Table 9. Lookup Table Reference

RFPLL F_{REF}	Use Lookup Table
35 MHz to 50 MHz	40 MHz
50 MHz to 70 MHz	60 MHz
70 MHz to 80 MHz	80 MHz

TDD MODE FASTER LOCK TIMES

In TDD mode, the Rx and Tx synthesizers are alternately turned on and off, following the state of the TXNRX control line. Typically, the synthesizer is set to trigger a VCO calibration every time it powers up so that it has a fresh calibration value. If the LO frequency in TDD does not change from frame to frame, it is not necessary to recalibrate the VCO every time. The synthesizers retain the VCO calibration result even after the synthesizer is powered down. When bursting between Tx/ALERT/Rx ... on the same LO frequency, the synthesizer only needs to relock and can possibly be completed in 25 μ s or less, depending on the loop bandwidth.

To setup synthesizer in this mode:

1. Setup the VCO for an FDD calibration.
2. Perform VCO calibration.
3. Set the Disable VCO Cal bit.

Step 3 disables the triggering of all VCO calibrations, including writing of new Integer word. If a new calibration is needed, this must be cleared.

Note that if the LO frequency is changed, the VCOs will need to be recalibrated so it will retain the information pertaining to the new frequency.

EXTERNAL LO

Unlike the internal synthesizers that always operate from 6 GHz to 12 GHz no matter the RF tune frequency, the frequency applied when an External LO is used is $2\times$ the desired RF LO frequency. The range of the EXT LO signal is from 140 MHz to 8 GHz, covering the RF tune frequency range of 70 MHz to 4 GHz. To setup the external LO use the `ad9361_trx_ext_lo_control` function.

There are two separate EXT LO inputs, one for Rx and the other for Tx. The recommended power level for the EXT LO signal at the AD9361 pin is $-3 \text{ dBm} \leq \text{pin} \leq +3 \text{ dBm}$, and the maximum pin must not exceed +6 dBm.

Note that the EXT_LO_IN package pins are multi-purposed and they can take on a different functionality (Vtune measurement) when the device is using internal synthesizers. See the VCO Vtune Measurement section for information.

BASEBAND PLL (BBPLL)

The BBPLL is a fractional-N synthesizer used to synthesize the digital clocks for the AD9361 chip. The BBPLL synthesizes an integer multiple of the Rx ADC clock, the Tx DAC clock, all analog calibration clocks, as well as the clocks used in the digital section. The BBPLL operates of the range of 715 MHz to 1.430 GHz, which allows practically any sample rate to be generated from any reference frequency. Table 10 is a listing of common communication systems showing the system sample rate and the corresponding BBPLL frequency. The output of the BBPLL drives a programmable divider chain to result in the desired sample rate and bus communication rate. The required BBPLL frequency is usually back-calculated by deciding how the channel filtering will be accomplished and then selecting the appropriate output divider that allows the BBPLL to operate within range. Refer to the Filter Guide section for available filtering and decimation/integration setups.

Table 10. Clock Rates for the Rx and Tx Digital Data Paths Plus the Appropriate BBPLL Output Frequencies

System	Sample Rate (MSPS)	BBPLL (MHz)
GSM	0.542	832
LTE 1.4	1.92	983.04
LTE 3.0	3.84	983.04
LTE 5	7.68	983.04
LTE 10	15.36	983.04
LTE 15	23.04	737.28
LTE 20	30.72	983.04
WiMAX 1.75	2	1024
WiMAX 3.5	4	1024
WiMAX 4.375	5	1280
WiMAX 7	8	1024
WiMAX 8.75	10	1280
WiMAX 5	5.6	716.8
WiMAX 10	11.2	716.8
WiMAX 20	22.4	1075.2
802.11a	20	1280
802.11n	40	1280

BBPLL VCO

The BBPLL VCO is a multiband ring oscillator with K_v of 550 MHz/V that requires a frequency calibration before operation. The calibration is configured and run with the `ad9361_bbpll_set_rate` function.

Figure 7 is a block diagram of the BBPLL. The reference frequency for the loop is the output of the reference scaler

block, which is identical to, but independent from the reference scaler blocks for the RFPLLs. The reference block is configured to buffer, multiply, or divide the device reference frequency before passing to the BBPLL phase detector. For best performance, it is recommended that the BBPLL reference scaler block be configured such that the resulting BBPLL F_{REF} is between 35 MHz to 70 MHz.

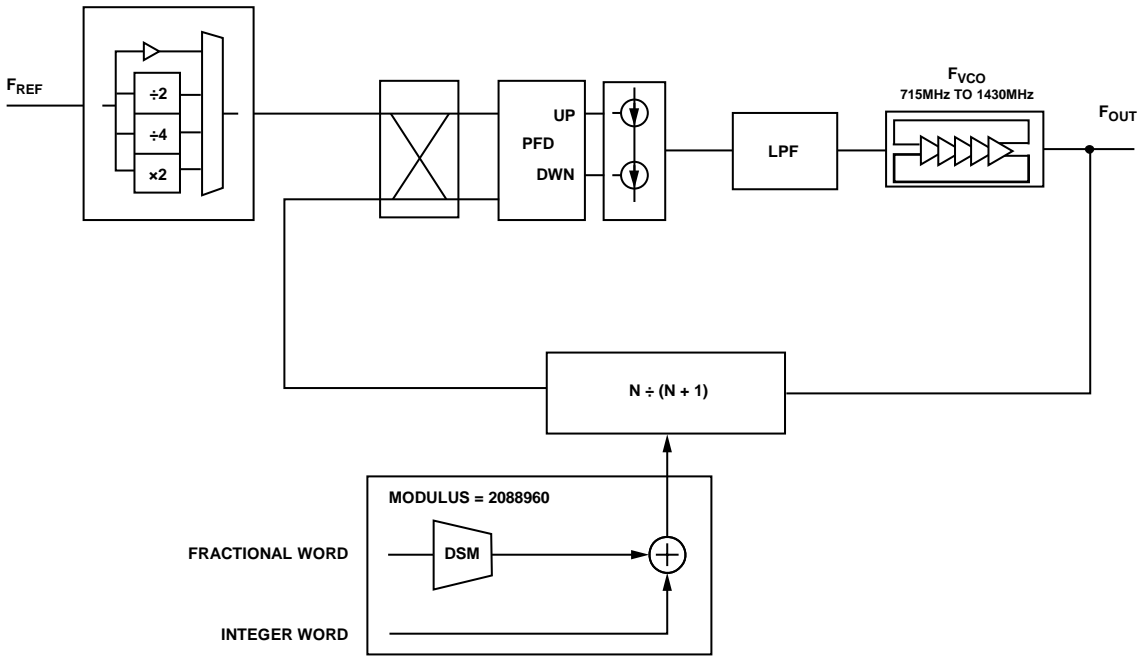


Figure 7. BBPLL Block Diagram

11668-008

BBPLL CHARGE PUMP

The charge pump has programmable output current from 25 μA to 1575 μA in 25 μA steps. In addition, a programmable bleed current is available. This is an NMOS current source programmable from 0 μA to 316 μA .

BBPLL LOOP FILTER

The loop filter is fully integrated on-chip and is a standard passive Type II third-order filter with five programmable components. The filter is programmed by the `ad9361_bbpll_set_rate` function.

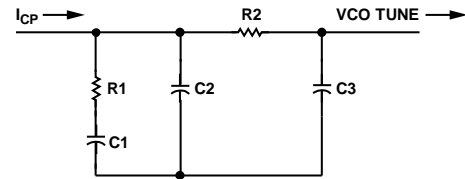


Figure 8. BBPLL Internal Loop Filter (R2 and C3 Can Be Bypassed)

1166E-009

FAST LOCK PROFILES

OVERVIEW

The AD9361 includes a fast lock mode that makes it possible to achieve faster than normal frequency changes by storing sets of synthesizer programming information (called profiles) either into device registers or the BB processor's memory space to be recalled at a later time. The fast lock mode eliminates most of the overhead of synthesizer programming by allowing up to 8 full Rx profiles and 8 full Tx profiles of frequency configuration information (including VCO calibration results) to be stored in the device for faster frequency changes.

To use a particular profile, first it must be configured. Typically, this would be accomplished at power-up, but a new or updated profile can be defined at any convenient time.

To define a profile, the synthesizer is configured, calibrated, and allowed to lock at a particular frequency. The VCO calibration time should be set to the longest, most accurate time period (FDD mode) since these values are to be stored for future use. Once the synthesizer has been configured and the VCO calibration has completed, the baseband processor transfers the resulting information from the synthesizer registers into the fast lock memory space by profile number. This is repeated for each desired profile (0 to 7 Rx and 0 to 7 Tx).

If more than the 8 on-chip profiles are needed, the synthesizer is tuned and calibrated as if the information were to be stored in a profile, but instead it is stored in baseband processor memory space and written into the desired profile at a later, more convenient time. In this way, an unlimited number of profiles can be available, and a given profile can be changed or updated at any appropriate time during operation.

In addition, the user can also define a higher initial charge pump current and R1 value of the loop filter to increase the synthesizer's bandwidth for a programmable amount of time to further reduce lock time. These values are defined in the profile information as well.

A profile can be recalled by either issuing a single SPI command that contains the desired profile number and transfer bit, or alternatively, a profile can be selected in hardware by setting the appropriate code on control input pins. At that time, all the on-chip stored profile information is transferred into the synthesizer registers, the synthesizer is immediately configured, and it is released to lock as quickly as the loop BW allows.

FAST LOCK INITIAL WIDER BW OPTION

The fact that the VCO calibration is eliminated in fast lock may provide fast-enough synthesizer locking for a particular application. However, when a profile is selected, it is also possible to initially have different loop filter values and charge pump current resulting in a wider loop BW for a programmable time period, possibly resulting in an even faster lock mode. After the time period expires, the loop filter values take on the steady state narrow values of the profile. If this feature is not needed or desired, simply program the init values the same as the narrow values.

Assuming the same phase margin for wide (init) and narrow BW is desired,

For a BW Ratio, $N = \text{Init BW} / \text{Narrow BW}$,

$$CP_current_init = CP_current_narrow \times N^2$$

$$R1_init = R1_narrow / N$$

In practice, CP_current_init will probably max out before it could actually be the square of the narrow value. Even though this occurs, a lock time advantage is still possible; the absolute values that result in the fastest lock and settling times will need optimization by the customer during product development. Note that charge pump currents and all loop filter components can be completely different between wide (initial) and narrow values, so exercise care when configuring to result in optimum and stable performance in both wide and narrow BW modes. The amount of time the wider BW is active is programmed into the Fast Lock Setup Init Delay register in increments of 250 ns per bit.

CONFIGURING AND USING A FAST LOCK PROFILE

The Fast Lock registers (Address 0x25C through Address 0x25F for Rx, Address 0x29C through Address 0x29F for Tx) allow access to the internal memory area. Refer to Table 11 for Rx and Table 12 for Tx fast lock register contents. The following procedure describes how to define a particular profile to the currently programmed synthesizer frequency:

1. If using faster lock (wide BW), determine fast lock delay and N. If not using wide BW, then delay is not important and N = 1.
2. To configure profiles:
 - a. For each profile (Rx and Tx are independent),
 - i. Calibrate the synthesizer to the desired frequency using FDD calibration settings
 - ii. Create the profile and store in the [AD9361](#) using the `ad9361_fastlock_store` function.
 - iii. If the profile also needs to be stored in the BBP then use the `ad9361_fastlock_save` function.
3. To use profiles:
 - a. To use a profile that is stored inside the [AD9361](#) use the `ad9361_fastlock_recall` function.
 - b. If the profile is stored in the BBP then first load it into the [AD9361](#) by using the `ad9361_fastlock_load` function, and then use the recall function to use the profile.

Table 11. Rx Fast Lock Internal Addressing

Program Address[7:4]	Assignment	Program Address[3:0]	Assignment (Written to 0x25D)	Location of Setup Words
0	profile0	0	Synthesizer Integer Word[7:0]	0x231[D7:D0]
1	profile1	1	Synthesizer Integer Word[10:8]	0x232[D2:D0]
2	profile2	2	Synthesizer Fractional Word[7:0]	0x233[D7:D0]
3	profile3	3	Synthesizer Fractional Word [15:8]	0x234[D7:D0]
4	profile4	4	Synthesizer Fractional Word [22:16]	0x235[D6:D0]
5	profile5	5	VCO Bias Ref[2:0] shift left by 4 +	0x242[D2:D0]
6	profile6	6	VCO Varactor [3:0] VCO Bias Tcf[1:0] shift left by 3 +	0x239[D3:D0] 0x242[D4:D3]
7	profile7	7	Charge Pump Current (Init)[5:0] Charge Pump Current[5:0]	Set per Init N calculation 0x23B[D5:D0]
8	Not used	8	Loop Filter R3[3:0] shift left by 4 +	0x240[D3:D0]
9	Not used	9	Loop Filter R3 (Init)[3:0] Loop Filter C3[3:0] shift left by 4 +	Set desired Init value 0x23F[D3:D0]
A	Not used	A	Loop Filter C3 (Init)[3:0] Loop Filter C1[3:0] shift left by 4 +	Set desired Init value 0x23E[D3:D0]
B	Not used	B	Loop Filter C2[3:0] shift right by 4 Loop Filter R1[3:0] +	0x23E[D7:D4]) 0x23F[D7:D4]
C	Not used	C	Loop Filter R1 (Init)[3:0] VCO Varactor Reference Tcf[2:0] +	Set per Init N calculation 0x250[D6:D4]
D	Not used	D	Rx VCO Divider[3:0] VCO Cal Offset[3:0] shift left by 1 +	0x005[D3:D0] 0x238[D6:D3]
E	Not used	E	VCO Varactor Reference[3:0]	0x251[D3:D0]
F	Not used	F	Force VCO Tune[7:0] Force ALC word[6:0] shift left by 1 +	0x237[D7:D0] 0x236[D6:D0]
			Force VCO Tune[8]	0x238[D0]

Table 12. Tx Fast Lock Internal Addressing

Program Address[7:4]	Assignment	Program Address[3:0]	Assignment (written to 0x25D)	Location of Setup Words
0	profile0	0	Synthesizer Integer Word[7:0]	0x271[D7:D0]
1	profile1	1	Synthesizer Integer Word[10:8]	0x272[D2:D0]
2	profile2	2	Synthesizer Fractional Word[7:0]	0x273[D7:D0]
3	profile3	3	Synthesizer Fractional Word[15:8]	0x274[D7:D0]
4	profile4	4	Synthesizer Fractional Word[22:16]	0x275[D6:D0]
5	profile5	5	VCO Bias Ref[2:0] shift left by 4 +	0x282[D2:D0]
6	profile6	6	VCO Varactor[3:0] VCO Bias Tcf[1:0] shift left by 6 +	0x279[D3:D0] 0x282[D4:D3]
7	profile7	7	Charge Pump Current (Init)[5:0]	Set per Init N calculation
8	Not used	8	Charge Pump Current[5:0] Loop Filter R3[3:0] shift left by 4 +	0x27B[D5:D0] 0x280[D3:D0]
9	Not used	9	Loop Filter R3 (Init)[3:0] Loop Filter C3[3:0] shift left by 4 +	Set per Init N calculation 0x27F[D3:D0]
A	Not used	A	Loop Filter C3 (Init)[3:0] Loop Filter C1[3:0] shift left by 4 +	Set per Init N calculation 0x27E[D3:D0]
B	Not used	B	Loop Filter C2[3:0] shift right by 4 Loop Filter R1[3:0] +	0x27E[D7:D4]) 0x27F[D7:D4]
C	Not used	C	Loop Filter R1 (Init)[3:0] VCO Varactor Reference Tcf[2:0] +	Set per Init N calculation 0x290[D6:D4]
D	Not used	D	Rx VCO Divider[3:0] VCO Cal Offset[3:0] shift left by 1 +	0x005[D7:D4] 0x278[D6:D3]
E	Not used	E	VCO Varactor Reference[3:0]	0x291[D3:D0]
F	Not used	F	Force VCO Tune[7:0] Force ALC word[6:0] shift left by 1 +	0x277[D7:D0] 0x276[D6:D0]
			Force VCO Tune[8]	0x278[D0]

FAST LOCK PIN SELECT

The previous example demonstrated how to setup profiles and select a profile using SPI commands. It is also possible to use hardware control to select a particular profile if desired. The control input pins in this mode are used to select the desired profile. This mode is enabled by setting Bit D1, Fast Lock Profile Pin Select in Rx Register 0x25A and/or Tx Register 0x29A along with enabling fast lock mode in the same registers. When this is set, CTRL_IN0 through CTRL_IN2 select the profile (if both pin select bits are set, profiles are selected in parallel). In the system design, it should be noted that CTRL_IN pins are configurable for other functions as well so they are not available for other functions simultaneously.

ENABLE STATE MACHINE GUIDE

OVERVIEW

The AD9361 transceiver includes an enable state machine (ENSM), allowing real time control over the current state of the device. The ENSM has two possible control methods—SPI control and pin control. The ENSM is controlled asynchronously by writing SPI registers to advance the current state to the next state. The ENABLE and TXNRX pins allow real time control of the current state. The ENSM also allows TDD or FDD operation. The `ad9361_set_en_state_machine_mode` function configures the ENSM.

The gray states displayed in Figure 9 require no user control and will fall through to the next state after a set time. The TO_ALERT signal is a setting in the ENSM Config 1 register. To move to the WAIT state, clear the TO_ALERT bit while in the Rx or Tx states. In that configuration when moving out of the Rx, Tx, or FDD states, the ENSM will transition to the WAIT state. If the bit is set the ENSM will transition to the ALERT state. The SLEEP state is the WAIT state with the AD9361 clocks disabled. To enter the sleep state, transition to the WAIT state, then disable the AD9361 clocks in the BPLL register.

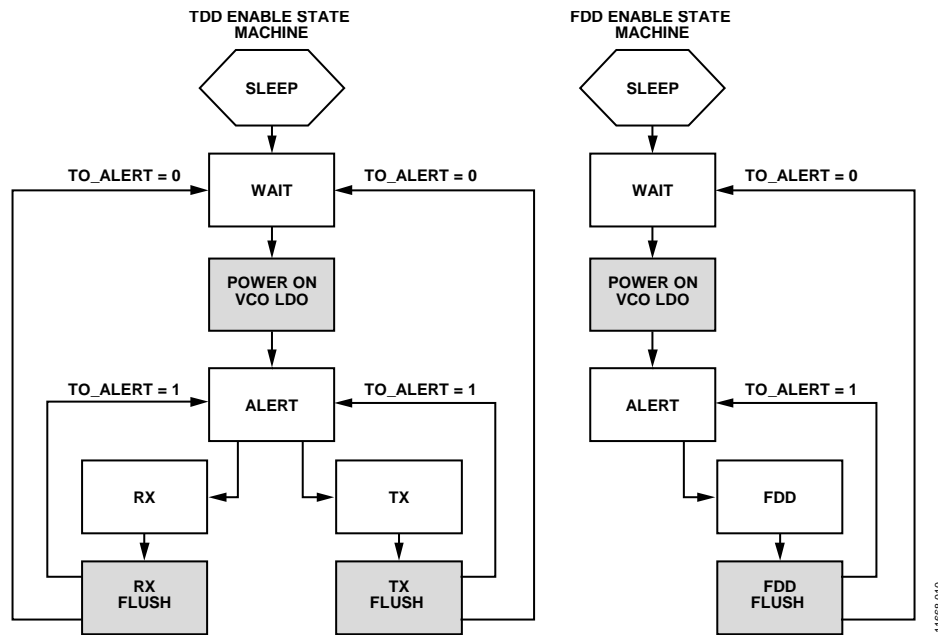


Figure 9. TDD and FDD State Diagrams for the Enable State Machine

ENSM STATE DEFINITIONS

The enable state machine contains the states shown in Table 13.

Table 13. ENSM State Values

ENSM State Name	Value in ENSM State (decimal)	Description
SLEEP	0	WAIT state with AD9361 clocks/BBPLL disabled
WAIT ¹	0	Synthesizers disabled (power saving mode)
CALIBRATION	1, 2, 3	
WAIT to ALERT delay	4	Fixed delay set by Register 0x024 and Register 0x025
ALERT ¹	5	Synthesizers enabled.
Tx ¹	6	Tx signal chain enabled
Tx FLUSH	7	Time to allow digital filters and signal path to flush
Rx ¹	8	Rx signal chain enabled
Rx FLUSH	9	Time to allow digital filters and signal path to flush
FDD ¹	10	Tx and Rx signal chains enabled
FDD FLUSH	11	Time to allow digital filters and signal path to flush

¹ These states require user interaction to move to the next state.

MODES OF OPERATION

The ENSM can either be controlled by SPI writes or the ENABLE/TXNRX pins. SPI control is considered asynchronous to the DATA_CLK because the SPI_CLK can be derived from a different clock reference and still function properly. The SPI control ENSM method is recommended when real time control of the synthesizers is not necessary. SPI control can be used for real time control as long as the BBP has the ability to perform timed SPI writes accurately. The ENABLE/TXNRX pin control method is recommended if the BBP has extra control outputs that can be controlled in real time, allowing a simple two-wire interface to control the state of the AD9361 device. The ENABLE pin can be driven by either a pulse (edge detected internal to the AD9361) or a level to advance the current state of the ENSM to the next state. If a pulse is used on the ENABLE pin, it must have a minimum pulse width of one FB_CLK cycle. In level mode, the ENABLE and TXNRX pins are also edge detected in the AD9361, and must meet the same minimum pulse width requirements of one FB_CLK cycle.

SPI Control

SPI control is disabled by default and can be enabled in the ENSM Config 1 register. Once in the ALERT state, the AD9361 enables its RF synthesizers for the transmitters and receivers. If for some reason the synthesizers did not calibrate correctly, the ENSM will not be able to transition to the Rx or Tx states. This feature protects the AD9361 from transmitting or receiving data when the synthesizers are not calibrated properly, protecting the wireless spectrum.

Once in the ALERT state, with the RFPLLs properly calibrated, the ENSM is ready to move into the Rx, Tx, or FDD state. To move from ALERT to Rx, set the Force Rx On bit. To move back to ALERT or WAIT, clear the bit. To move from ALERT to Tx or FDD, set the Force Tx On bit. To move back to ALERT or WAIT clear the bit. In FDD mode, the Force Rx On bit is ignored. While in TDD, the ENSM must transition to the ALERT state between Rx and Tx states. The ENSM cannot move from Rx directly to Tx, or Tx directly to Rx.

After sending the Force Alert State bit from the WAIT state, allow the ENSM time to pass through ENSM State 4 before sending another command. The time for State 4 to complete depends on the time setting written into the Rx and Tx Load Synth Delay registers. This delay is 2 μ s.

After sending the SPI write to exit the Rx or Tx states, allow six ADC_CLK/64 clock cycles of flush time before sending another ENSM SPI command. If a SPI command is received during an intermediate ENSM state, the command will be ignored.

ENABLE/TXNRX Pin Control

ENABLE/TXNRX Pin Control mode is enabled by default. The ENABLE pin can operate with a pulse or a level to transition the ENSM state to the next state. In pulse mode, a pulse with minimum width of one FB_CLK cycle is necessary to advance the current ENSM state. The BBP sends an ENABLE pulse to move into Rx or Tx, and then another pulse when it is time to move back to the ALERT or WAIT state. In TDD, the state of the TXNRX pin controls whether the AD9361 will transition from ALERT to Rx or ALERT to Tx. If TXNRX is high, the device will move into the Tx state. If TXNRX is low, the device will move into the Rx state. The TXNRX pin level should be set during the ALERT state. The logic level of TXNRX must not change during the Rx, Tx, or FDD states.

In level mode, the ENABLE pin level controls the ENSM state. The falling edge of the ENABLE pin moves the AD9361 device into the ALERT state. TXNRX must be set or cleared while in the ALERT state. The rising edge of the ENABLE pin moves the AD9361 into the Rx state if TXNRX is low, or the Tx state if

TXNRX is high. In FDD, the logic level of TXNRX is ignored. The ENSM will exit the Rx, Tx, or FDD states when the ENABLE pin is pulled back to a logic low. If the To Alert bit is clear the device will move from Rx, Tx, or FDD to the WAIT state. To move from WAIT to ALERT in level mode, the BBP can drive a pulse on the ENABLE pin or perform a SPI write to the Force Alert State bit. If an ENABLE pulse is used, it must have a pulse width larger than one FB_CLK cycle wide. The rising edge of the ENABLE pulse advances the ENSM state from WAIT to ALERT. The falling edge of the ENABLE pulse is ignored in ALERT. See Figure 10, Figure 11, Figure 12, and Figure 13 for simplified graphical references.

When moving from WAIT to ALERT, time must be allowed for State 4 to complete before sending another ENABLE pulse. The time required to wait depends on the Rx and Tx Load Synth Delay. Also, after the Rx, Tx, and FDD states, allow six ADC_CLK/64 clock cycles for each corresponding FLUSH state to complete.

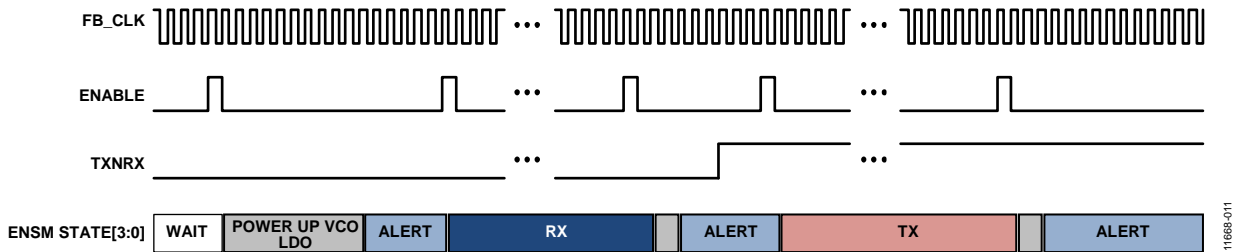


Figure 10. ENABLE Pulse Mode, TDD (Minimum Pulse Width = One FB_CLK Cycle)

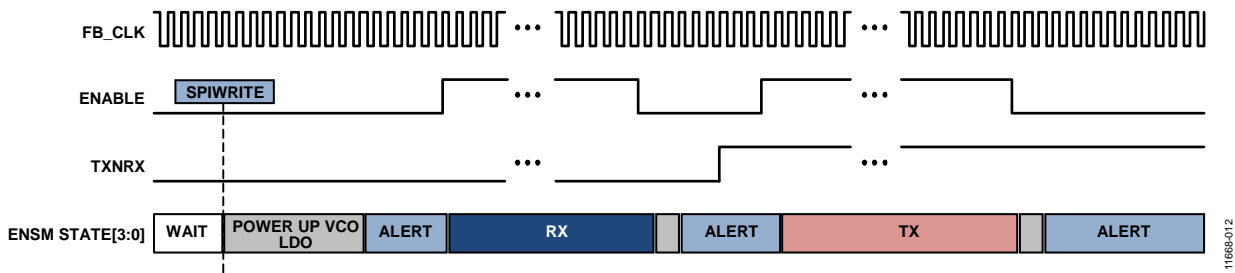


Figure 11. ENABLE Level Mode (TDD)

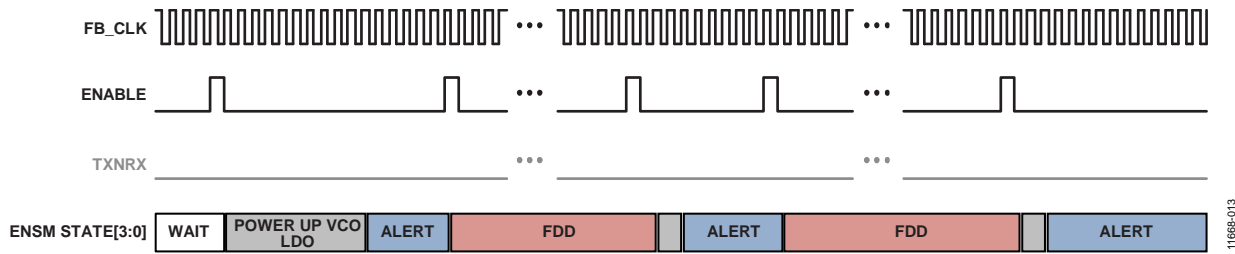


Figure 12. ENABLE Pulse Mode, FDD (Minimum Pulse Width = One FB_CLK Cycle)

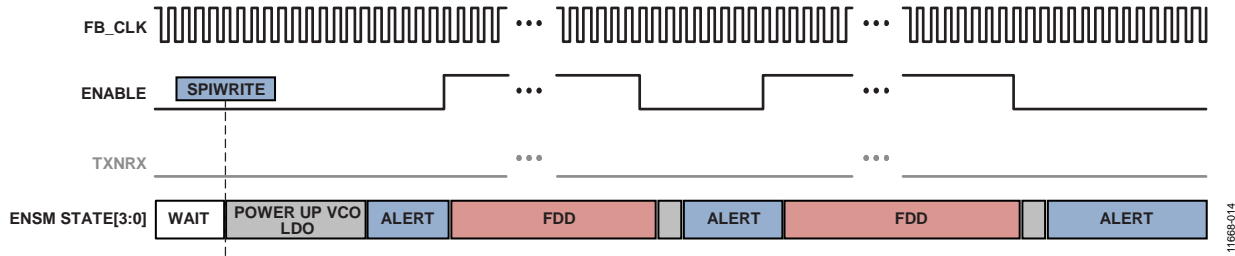


Figure 13. ENABLE Level Mode, FDD

FDD Independent Control

When the AD9361 is in FDD mode, the FDD independent control option allows the receive chain and transmit chain to be enabled independently. This mode is enabled by setting the FDD External Control Enable bit (0x015[D7]). Note that SPI writes must be used to move the ENSM into the FDD state. Then the ENABLE and TXNRX pins are internally remapped to Force Rx On and Force Tx On, respectively. Once in the FDD state, the control combinations in Table 14 are allowed.

Table 14. ENABLE/TXNRX Pin Alternative Functionality

Pin Level	Description
ENABLE low, TXNRX low	Rx and Tx signal chains disabled (Operates like ALERT state)
ENABLE high, TXNRX low	Rx signal chain enabled, Tx signal chain disabled (Operates like Rx state)
ENABLE low, TXNRX high	Rx signal chain disabled, Tx signal chain enabled (Operates like Tx state)
ENABLE high, TXNRX high	Rx signal chain enabled, Tx signal chain enabled. (Operates like FDD state)

Note that since the ENSM always stays in the FDD state, it never moves to the FDD FLUSH state. Therefore, the BBP must allow enough time after enabling the receive chain for the digital filters to flush, and enough time after sending Tx data for the Tx to finish its transmission before disabling the corresponding signal chain. If Tx_FRAME is held low, the data port in the AD9361 will force zeros into the Tx data path.

Note that in pulse mode the BBP should send pulses on the ENABLE pin to enable/disable the Rx signal chain. Pulses sent on the TXNRX pin will enable/disable the Tx signal chain. When using a SPI write to move from ALERT into the FDD state, both the Rx and Tx signal chains start disabled until the first pulse is received. The pulse should have a minimum pulse width of one FB_CLK cycle. No maximum pulse width is defined; the pulse is edge detected and internally generates a one cycle wide pulse.

ENSM and RF VCO Calibrations

The ENSM controls an internal signal that tells the Rx and Tx synthesizers when to calibrate. In FDD, both the Rx and Tx synthesizers calibrate when moving from WAIT to ALERT and when the integer RF frequency word is written. Otherwise, the synthesizers remain powered on and locked.

Similar to FDD, in TDD the enabled synthesizer (depending on TXNRX logic level) will be calibrated when moving from WAIT to ALERT. When in the ALERT, Rx, or Tx state, the enabled synthesizer (depending on the TXNRX logic level) will calibrate when the integer frequency word is written in the SPI register map.

In TDD, the synthesizers do not remain locked all the time. While in the Rx state, the Tx synthesizer is disabled to save power. While in the Tx state, the Rx synthesizer is disabled. In TDD, the ENSM will generate a signal to recalibrate the correct VCO anytime the state of TXNRX changes. This signal will be issued from the ENSM to the synthesizer after the delay in Rx or Tx Load Synth Delay has completed.

It is important to change the state of TXNRX as soon as the device moves into the ALERT state to allow time for the selected synthesizer to calibrate before moving into the Rx or Tx states.

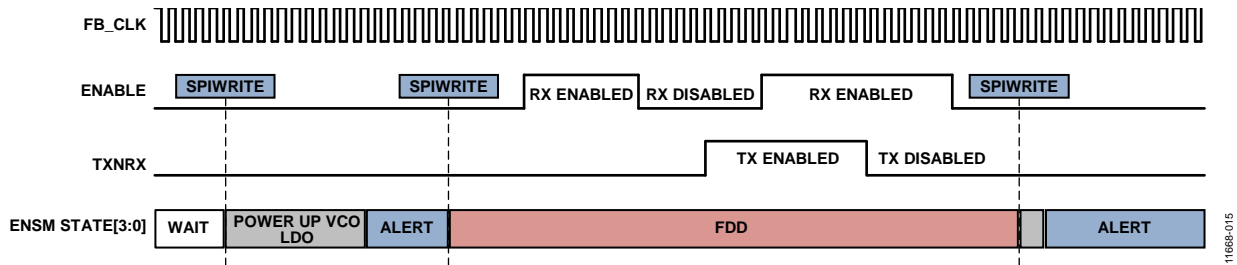


Figure 14. FDD Independent Control, Level Mode

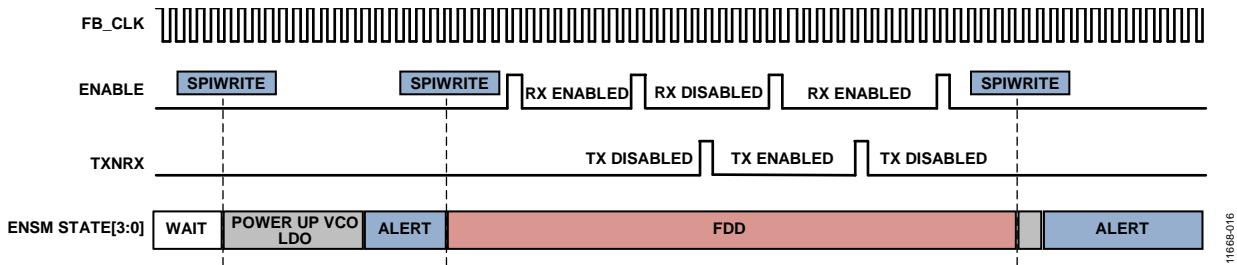


Figure 15. FDD Independent Control, Pulse Mode

SLEEP STATE

The AD9361 initially powers up in a very low power state called the SLEEP state. In this state, the AD9361 SPI registers are powered up; however, all internal clocks and other circuits are powered down. After power up, the BBP programs the AD9361 using the SPI port and runs the internal calibrations necessary for optimal performance. After normal transmit/receive operation, if the AD9361 is not required for radio activity, the BBP can instruct the AD9361 to return to the SLEEP state to minimize power consumption.

The SLEEP state is technically the ENSM WAIT state with the digital clocks turned off. When returning to the SLEEP state, all calibration results will be stored because the AD9361 SPI registers remain powered up.

Sleep Procedure (Assumes Current State = ALERT)

1. Disable VCO calibrations to prevent VCO settings from being overwritten by possible automatic calibrations.

SPIWrite	0x230 = 0x55	Disable Rx VCO calibration, set 0x230[0]
SPIWrite	0x270 = 0x55	Disable Tx VCO calibration, set 0x270[0]
2. Move ENSM from ALERT to the WAIT state using the SPI port. Note that when using FDD, only the Force Tx On bit controls the ENSM. If using TDD, using Force Rx On will limit energy being transmitted from the AD9361. In either case, it is recommended to power down the external PA before moving the AD9361 into the FDD or Tx states.

SPIWrite	0x014 = 0x00	Clear the To Alert bit in 0x014[0]
SPIWrite	0x014 = 0x20	Move to FDD state (by setting Force Tx On bit in 0x014[5])
WAIT		Wait for FDD flush time (six ADC_CLK/64 clock cycles)
SPIWrite	0x014=0x00	Move to Wait State (by clearing 0x014[5])
SPIWrite	0x009=0x00	Turn off all clocks (sleep state)

3. The AD9361 is now in the SLEEP state.
4. To wake up the AD9361, enable digital clocks and BBPLL, and then move into the ALERT state.

SPIWrite	0x009 = 0x17	Turn on all clocks (assumes external clock in this case)
WAIT		Wait for BBPLL to lock (BBPLL lock bit in 0x5E[7], locked =1)
SPIWrite	0x014 = 0x05	Set the To Alert bit and force Alert state
SPIWrite	0x230 = 0x54	Allow Rx VCO calibration, clear 0x230[0]
SPIWrite	0x270 = 0x54	Allow Tx VCO calibration, clear 0x270[0]

Calibrations After Waking from SLEEP

Although the previous calibration results are stored through the SLEEP state, some calibrations may need to be updated if time permits. For instance, the AD9361 normally is set to track out DC offset over time once in the active receive state. The first time back into the Rx or FDD states, the DC offset may not be optimal. Running the RF DC Offset Calibration may improve the DC offset for the first time back in the Rx state. Another advantage is the calibration stores RF DC offset corrections for all front-end gain indexes. The tracking mode only allows the RF DC offset to update at the current gain index.

If using TDD, the Rx VCO and/or Tx VCO used first will need to be calibrated before moving into the Rx or Tx state. This can be accomplished by toggling the TXNRX after enabling VCO calibrations in Register 0x230 and Register 0x270. The TxRNX edge triggers the calibration to occur. In FDD, a VCO calibration should not be required.

FILTER GUIDE

OVERVIEW

This section contains a description of the analog and digital filtering available in both the Tx and Rx signal paths of the AD9361.

Tx SIGNAL PATH

The AD9361 Tx signal path receives 12-bit twos complement data in I-Q format from the AD9361 digital interface, and each channel (I and Q) passes this data through four digital interpolating filters to a 12-bit DAC. Each of the four interpolating filters can be bypassed. The DAC's analog output is passed through two low-pass filters prior to the RF mixer. The corner frequency for each low-pass filter is programmable with the `ad9361_set_tx_rf_bandwidth` function. Figure 16 shows a block diagram for the AD9361 Tx signal path. Note that both the I and the Q paths are schematically identical to each other.

Overranging is detected in the Tx digital signal path at each stage and limited to the maximum code value (preventing data wrapping). An overrange occurrence can be monitored in the Overflow registers or at the control output pins.

Tx DIGITAL FILTER BLOCKS

The four blocks leading up to the DAC in Figure 16 comprise the digital filtering for the transmit path. These programmable filters provide the bandwidth limiting required prior to conversion from digital to analog. They also provide interpolation to translate from the input data rate to the rate needed for proper digital to analog conversion. In each filter, interpolation is performed first, followed by the filter transfer function. The digital filters are configured using the `ad9361_calculate_rf_clock_chain` functions. ADC_CLK (the ADC sample clock) is the fastest signal path clock available in the device's digital processing section, so it is used as the master clock reference for the digital filters in the Tx signal path. The sample clock of each fixed-coefficient filter is always equal to the output data clock. The following sections describe the details of these blocks.

Tx FIR

The first digital filter in the Tx signal path is a programmable polyphase FIR filter. The Tx FIR filter can also interpolate by a factor of 1, 2, or 4, or it can be bypassed if not needed. This filter is controlled in the `ad9361_set_tx_fir_config`. The filter taps are stored in 16-bit twos complement format, and the number of taps is configurable between a minimum of 16 taps and a maximum of 128 taps in groups of 16. The Tx FIR also has a programmable gain setting of 0 dB or -6 dB. Each coefficient is stored in two registers as a 16-bit number.

The Tx FIR uses DAC_CLK (Tx DAC sample clock) as its sample clock. DAC_CLK is either set equal to ADC_CLK or is set to ADC_CLK/2. The Tx FIR calculates 16 taps per clock cycle. This limits the number of available taps to the ratio of DAC_CLK to the input data rate multiplied by 16. For example, if the input data rate is 25 MHz and DAC_CLK is 100 MHz, then the ratio of DAC_CLK to the input data rate is 100/25 or 4. In this scenario, the total number of taps available is 64.

Another limitation is the memory inside the filter. The total number of operations that can be performed is limited to 64 per clock cycle. This means that the number of taps available is limited to 64 if the interpolation factor is set to 1. If an interpolation rate greater than 1 is used, then the memory space can be utilized to include more taps. Table 15 lists the allowable number of taps for each interpolation rate.

Table 15. Filter Taps Based on Interpolation Rate

Interpolation	Maximum Number of Taps
1	64
2	128
4	128

Tx HB1

Tx HB1 is a fixed-coefficient half-band interpolating filter. Tx HB1 can interpolate by a factor of 2, or it may be bypassed. Tx HB1 has the following coefficients: [-53, 0, 313, 0, -1155, 0, 4989, 8192, 4989, 0, -1155, 0, 313, 0, -53]. Note that the full-scale range for this filter is 8192 (2^{13}).

Tx HB2

Tx HB2 is a fixed-coefficient half-band interpolating filter. Tx HB2 can interpolate by a factor of 2, or it may be bypassed. Tx HB2 has the following coefficients: [-9, 0, 73, 128, 73, 0, -9]. Note that the full-scale range for this filter is 128 (2^7).

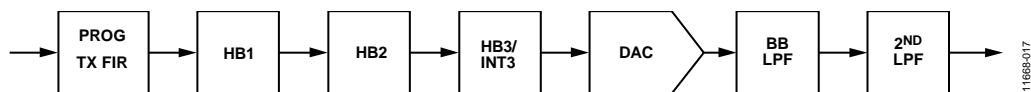


Figure 16. AD9361 Tx Signal Path

Tx HB3/INT3

Tx HB3/INT3 provides the choice between two different fixed-coefficient interpolating filters. Tx HB3/INT3 can interpolate by a factor of 2 or 3, or it may be bypassed. Tx HB3 has the following coefficients: [1, 2, 1], and Tx INT3 has the following coefficients: [36, -19, 0, -156, -12, 0, 479, 223, 0, -1215, -993, 0, 3569, 6277, 8192, 6277, 3569, 0, -993, -1215, 0, 223, 479, 0, -12, -156, 0, -19, 36]. Note that the full-scale range for the Tx HB3 filter is 2, and the full-scale range for the Tx INT3 filter is 8192 (2^{13}). It is important to note that if the interpolation factor for this filter is set to 3, then the decimation factor for the Rx HB3/DEC3 filter must also be set to 3 so the clocks are properly aligned.

Digital Tx Block Delay

The digital Tx filter blocks are designed to minimize delay caused by mathematical operations so that the total delay is dominated by the inherent filter delays. Each block's contribution to the total data latency is approximated using the following relationship:

$$\Delta t_{data} = \frac{N}{2} \times \frac{1}{f_s} \quad (12)$$

where:

N is the filter order (number of taps)

f_s is the output sampling clock frequency (after any interpolation).

Tx ANALOG FILTER BLOCKS

Analog filtering after the DAC reduces spurious outputs by removing sampling artifacts and providing general low-pass filtering prior to upconversion. The corner frequency for these filters is programmed with the `ad9361_set_tx_rf_bandwidth` function call.

Tx BB LPF

The Tx BB LPF is a third-order Butterworth low-pass filter with a programmable 3 dB corner frequency. The Tx BB LPF corner frequency is programmable over the range of 625 kHz to 32 MHz. The Tx BB LPF is typically calibrated to 1.6 times the baseband channel bandwidth.

Tx Secondary LPF

The Tx secondary LPF is a single-pole low-pass filter with a programmable 3 dB corner frequency. The Tx secondary LPF corner frequency is programmable over the range of 2.7 MHz to 100 MHz. The Tx Secondary LPF is typically calibrated to 5 times the baseband channel bandwidth.

Rx SIGNAL PATH

The AD9361 Rx signal path passes downconverted signals (I and Q) to the baseband receiver section. The baseband Rx signal path is composed of two programmable analog low-pass filters, a 12-bit ADC, and four stages of digital decimating filters. Each of the four decimating filters can be bypassed. Figure 17 shows a block diagram for the AD9361 Rx signal path. Note that both the I and Q paths are schematically identical to each other.

The digital Rx HB filters are sized to eliminate over-ranging. The Rx FIR filter can over-range based on the filter coefficients. The Rx FIR output is limited to the maximum code value when over-ranging occurs (preventing data wrapping). An overrange occurrence in the Rx FIR filter is indicated in the Overflow register or at the CTRL_OUT pins.

Rx ANALOG FILTER BLOCKS

Analog filtering before the ADC reduces spurious signal levels by removing mixer products and providing general low pass filtering prior to upconversion. The corner frequency for these filters is programmed with the `ad9361_set_rx_rf_bandwidth` function call.

Rx TIA LPF

The Rx TIA LPF is a single-pole low-pass filter with a programmable 3 dB corner frequency. The corner frequency is programmable over the range of 1 MHz to 70 MHz. The Rx TIA LPF is typically calibrated to 2.5 times the baseband channel bandwidth.

Rx BB LPF

The Rx BB LPF is a third-order Butterworth low-pass filter with a programmable 3 dB corner frequency. The corner frequency is programmable over the range of 200 kHz to 39.2 MHz. The Rx BB LPF is typically calibrated to 1.4 times the baseband channel bandwidth.

Rx DIGITAL FILTER BLOCKS

The four blocks following the ADC in Figure 17 comprise the digital filtering for the receive path. These programmable filters provide the bandwidth limiting and out of band noise and spurious signal reduction after digitization. They also provide decimation needed to generate the correct data rates. In each filter, decimation is performed after the filtering has taken place. ADC_CLK serves as the master clock reference for all digital filters in the Rx signal path. The sample clock of each fixed-coefficient filter is always equal to the input data clock. These digital filters are configured using the `ad9361_calculate_rf_clock_chain` function.

Rx HB3/DEC3

Rx HB3/DEC3 provides the choice between two different fixed-coefficient decimating filters. Rx HB3/DEC3 can decimate by a factor of 2 or 3, or it may be bypassed. Rx HB3 has the following coefficients: [1, 4, 6, 4, 1], and Rx DEC3 has the following coefficients: [55, 83, 0, -393, -580, 0, 1914, 4041, 5120, 4041, 1914, 0, -580, -393, 0, 83, 55]. Note that the full-scale range for the Rx HB3 filter is 16 (2^4), and the full-scale range for the Rx DEC3 filter is 16384 (2^{14}). It is important to note that if the decimation factor for this filter is set to 3, then the interpolation factor for the Tx HB3/INT3 filter must also be set to 3 so the clocks are properly aligned.

Rx HB2

Rx HB2 is a fixed-coefficient half-band decimating filter. Rx HB2 can decimate by a factor of 2, or it may be bypassed. Rx HB2 has the following coefficients: [-9, 0, 73, 128, 73, 0, -9]. Note that the full-scale range for this filter is 256 (2^8).

Rx HB1

Rx HB1 is a fixed-coefficient half-band decimating filter. Rx HB1 can decimate by a factor of 2, or it may be bypassed. Rx HB1 has the following coefficients: [-8, 0, 42, 0, -147, 0, 619, 1013, 619, 0, -147, 0, 42, 0, -8]. Note that the full-scale range for this filter is 2048 (2^{11}).

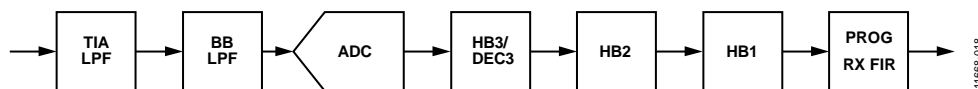


Figure 17. AD9361 Rx Signal Path

Rx FIR

The last digital filter in the Rx signal path is a programmable poly-phase FIR filter. The Rx FIR filter can also decimate by a factor of 1, 2, or 4, or it can be bypassed if not needed. The filter taps are configurable in groups of 16 between a minimum of 16 and a maximum of 128 taps. The taps are in 16-bit 2s complement format. The Rx FIR also has a programmable gain of -12 dB, -6 dB, 0 dB, or +6 dB. The filter provides a fixed +6dB gain to maximize dynamic range, so the programmable gain is typically set to -6 dB to produce a net gain of 0 dB. Each coefficient is stored in two registers as a 16-bit number.

The Rx FIR has two options for its sample clock, either ADC_CLK or ADC_CLK/2. The Rx FIR calculates 16 taps per clock cycle. This limits the number of available taps to the ratio of the sample clock to the filter's output data rate multiplied by 16. For example, if the output data rate is 50 MHz and sample clock is 200 MHz, then the ratio of the sample clock to the output data rate is 200/50 or 4. In this scenario, the total number of taps available is 64.

Unlike the Tx FIR, the Rx FIR has enough internal memory to allow the maximum number of taps to be used for any decimation setting. This means that all 128 taps can be used if the previously described clock ratio is satisfied. This filter is setup using the `ad9361_set_rx_fir_config` function.

DIGITAL Rx BLOCK DELAY

The digital Rx filter blocks are designed to minimize delay caused by mathematical operations so that the total delay is dominated by the inherent filter delays. Each block's contribution to the total data latency is approximated using the following relationship:

$$\Delta t_{data} = \frac{N}{2} \times \frac{1}{f_s} \quad (13)$$

where:

N is the filter order (number of taps)

f_s is the input sampling clock frequency (before any decimation).

Example—LTE 10 MHz

In this example, the receiver is set to operate in an LTE 10 MHz system with a 40 MHz reference clock used. All 128 FIR filter taps are used, and the data rate is set to 15.36 MSPS. To achieve this data rate with the given reference clock, each digital filter – HB3, HB2, HB1, and the FIR filter – have their decimation factors set to 2. The resulting sample clocks are:

- HB3 (4th order filter) – 245.76 MHz
- HB2 (6th order filter) – 122.88 MHz
- HB1 (14th order filter) – 61.44 MHz
- FIR(128th order filter) – 30.72 MHz

The resulting data delay due to digital filtering is

$$\Delta t = 2 \times \frac{1}{245.76M} + 3 \times \frac{1}{122.88M} + 7 \times \frac{1}{61.44M} + 64 \times \frac{1}{30.72M}$$

or

$$\Delta t = 2.23 \mu s \quad (14)$$

Note that the FIR filter is the largest component of this value due to its large number of taps and lower sampling frequency. For rough estimate calculations, the half band filters can be ignored provided the order of the FIR filter is much larger than the orders of the half band filters.

GAIN CONTROL

OVERVIEW

The AD9361 transceiver has several gain control modes that enable its use in a variety of applications. Fully automatic gain control (AGC) modes are available that address time division duplex (TDD) as well as frequency division duplex (FDD) scenarios. In addition, the AD9361 has manual gain control (MGC) options that allow the BBP to control the gain of the receiver. The `ad9361_set_rx_gain_control_mode` function configures all of the gain control modes.

The AD9361 receive signal path can be broken up into several blocks as shown in Figure 18. The gain of almost all of the blocks is variable as shown by the arrows through the shapes in Figure 18.

Each receiver has its own gain table that maps a gain control word to each of the variable gain blocks in Figure 19. A pointer to the table determines the control word values sent to each block as shown in Figure 19. Whether automatic gain control (AGC) or manual gain control (MGC) is used, the pointer moves up and down the table, which changes the gain in one or more of the blocks shown in Figure 18.

The ADC maximum input (0 dBFS) is 0.625 V peak. However, to avoid compression the maximum recommend peak input level to the ADC is 0.5 V peak, which is 1.9 dB lower than full scale.

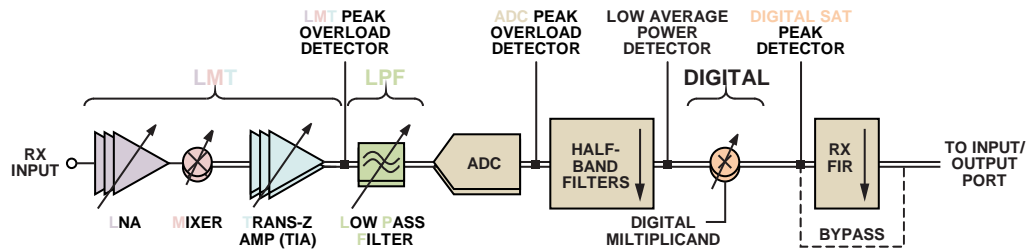


Figure 18. AD9361 Receive Signal Path

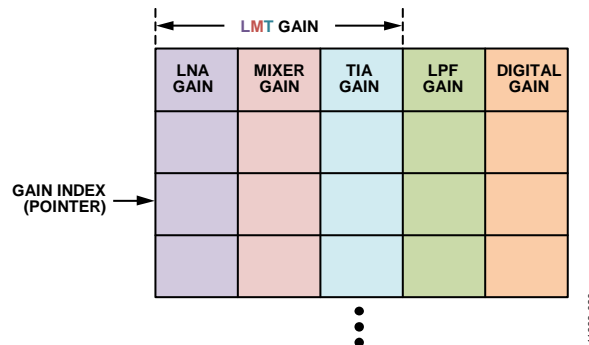


Figure 19. AD9361 Gain Table Mapping

GAIN CONTROL THRESHOLD DETECTORS

The AD9361 uses detectors to determine if the received signal is overloading a particular block or if the signal has dropped below programmable thresholds. LMT and ADC overload detectors (also referred to as peak detectors) react to nearly instantaneous overload events. In contrast, a power measurement in the AD9361 occurs over 16 or more Rx samples. Figure 18 shows where these detectors are located in signal path.

LMT OVERLOAD DETECTOR

The LNA/mixer/transimpedance amplifier (LMT) overload detector is an analog peak detector used to determine if the received signal is overloading the blocks before the analog low-pass filter. If an LMT overload occurs but the ADC does not overload, it may indicate that an out-of-band interfering signal is resulting in the overload condition.

There are two different LMT overload thresholds, one used to indicate larger overloads and one used to indicate smaller overloads. Both thresholds are programmable and are configured in the `ad9361_set_rx_gain_control_mode` function. The small threshold should be set such that it is lower than (or equal to) the large threshold since the AGC will be affected differently depending on which threshold is exceeded. In MGC mode, the BBP can monitor the overload flags via the control output pins. Equation 15 describes both large and small thresholds.

$$\text{LMT Overload Threshold (mV}_{\text{peak}}) = 16 \text{ mV} \times (\text{LMT Overload Threshold}[5:0] + 1) \quad (15)$$

ADC OVERLOAD DETECTOR

The ADC is a highly oversampled sigma-delta modulator (SDM) with an output ranging from +4 to -4. A particular ADC output sample does not necessarily represent the input signal at a particular time. Rather, a positive value indicates that the input signal is more positive since the last sample and a negative value indicates that the input signal is more negative since the last sample. Note that since the ADC is highly oversampled, the ADC clock is much faster than the receive sample rate. Decimating and low-pass filtering result in digital samples that represent the analog signal.

When the ADC is overloaded, the error between its samples and the input signal will cause the ADC to output more samples with values of +4 or -4 as it struggles to track the input signal.

Figure 20 shows how the ADC overload detector processes signals and how the thresholds are used.

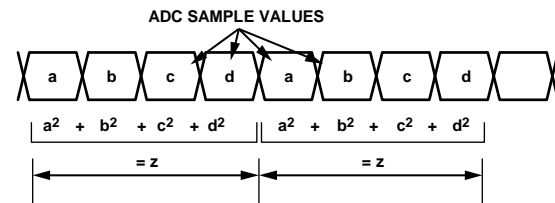


Figure 20. ADC Over Range Detection Algorithm

There are two programmable thresholds, both of which are configured in the `ad9361_set_rx_gain_control_mode` function. The thresholds are common to both receivers. The number of samples to use in the sum-of-squares calculation is also set in the `ad9361_set_rx_gain_control_mode` function. The resulting value, z , shown in the Figure 20 is compared against the two thresholds and if a particular threshold is exceeded, a flag is set. In MGC mode, the BBP can monitor the overload flag(s) via the control output pins.

LOW POWER THRESHOLD

The low power threshold is an absolute threshold measured in -dBFS with a resolution of 0.5 dBFS per LSB. The range is from 0 dBFS to -63.5 dBFS. The value is programmed with the `ad9361_set_rx_gain_control_mode` function. The AD9361 uses this threshold in the fast attack AGC mode and it can also be used in MGC mode, both of which are described later in the Fast Attack AGC Mode section and MGC Overview section. In fast attack AGC mode, the low power flag does not assert immediately after the average signal power drops below the low power threshold. The flag only asserts once the signal power has remained below the low power Threshold for a time equal to the increment time. The increment time value is measured in ClkRF cycles (the clock used at the input of the receive FIR filter). In MGC mode, the increment time value is not used and the low power flag asserts as soon as the power drops below the low power threshold.

AVERAGE SIGNAL POWER

When measuring power (such as for low power threshold), the measurement is an average of a certain number of samples set by the decimated power measurement duration, which is set in the `ad9361_set_rx_gain_control_mode` function. The duration is common to both receivers. At the end of each measurement period, the average signal power value updates. The actual duration in Rx sample periods is per Equation 16.

SETTLING TIMES

After a gain change, the AD9361 must reset overload detectors and power measurement circuits and wait for the receive path to settle before re-enabling detectors and power measurement blocks.

PEAK OVERLOAD WAIT TIME

All gain control modes use peak overload wait time. After a gain change, the AD9361 waits for the time set by this register before re-enabling its LMT and ADC overload detectors, which allows the signal in the analog path and the ADCs to settle. The default is fine for all applications unless an external LNA with a bypass mode is part of the signal path. The Peak Overload Wait Time is set by the ad9361_set_rx_gain_control_mode function and is clocked at the ClkRF rate (the input to the Rx FIR Filter clock rate).

SETTLING DELAY

All AGC modes use settling delay, which is the time that the AGC holds the power measurement blocks in reset after a gain change. Power measurement occurs at the output of the receive HB1 filter (which is the input to the receive FIR filter) so all stages up to the Rx FIR must have settled before power measurement resumes after a gain change. The delay is equal to the register value multiplied by 2 and is clocked at the ClkRF rate. The default for settling delay is 20 ClkRF cycles, and that is based on a ClkRF rate of 30.72 MHz. For optimum fast attack AGC performance, the delay needs to scale with ClkRF.

$$\text{Power Meas Duration (Rx Sample Periods)} = 16 \times 2^{\text{Dec Power Measurement Duration}[3:0]} \quad 16$$

GAIN TABLE OVERVIEW

The AD9361 uses a pointer to a row in a gain table. That row contains the gain values of each independent gain block. In this way, a gain index value (pointer) maps to a set of gain values for each gain block. However, there are two different ways that the AD9361 can implement the gain table. In full table mode, there is one table for the receiver. In split table mode, the AD9361 splits the LMT and LPF tables apart and controls each independently with separate pointers. If digital gain is enabled, there is a third table that is independently controlled, also with its own pointer. Each receiver has its own set of two (or three) tables. The gain table mode is set in the ad9361_load_gt function. The table architecture affects all gain control modes and is a common setting for both receivers.

FULL TABLE MODE

Full table mode is useful for most situations. A single gain table contains all of the variable gain blocks in the Rx signal path. Figure 21 shows a portion of a full gain table. The figure also shows the gain of each block next to each gain index. If the gain index moves up or down, the gain indices of one or more blocks will change. If the gain index pointer moves down one step (to a table index of 54), both the LNA gain and the LPF gain will change. These changes allow the AD9361 to handle widely varying signal levels while still optimizing noise figure and linearity.

To read back the full table gain index in any gain control mode, read use the ad9361_get_rx_rf_gain function.

The Max LMT/Full Gain register limits the maximum index allowed.

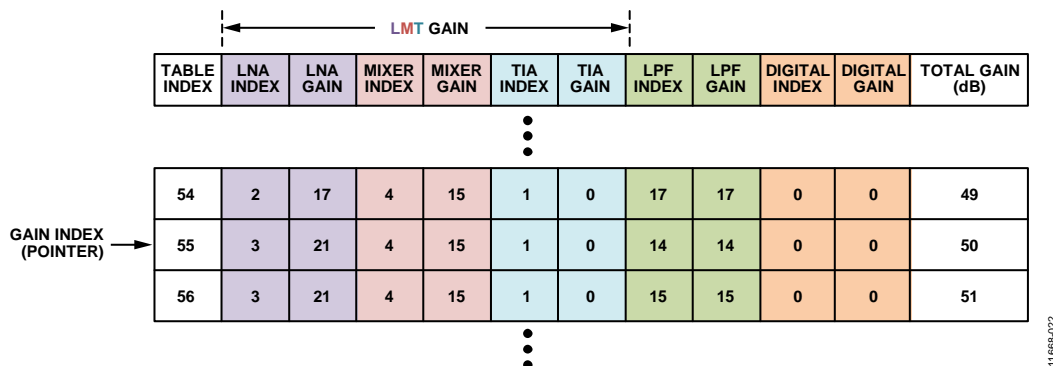


Figure 21. Portion of the Analog Devices 2300 MHz Example Full Gain Table

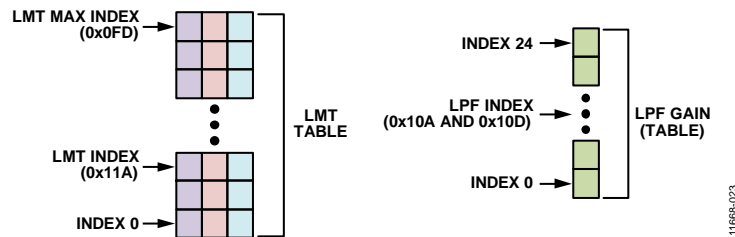


Figure 22. Split Table in Manual Gain Mode, SPI Writes Control Gain Indices

SPLIT TABLE MODE

In situations where high power out-of-band interfering signals are often present, it can be advantageous to split the gain table to optimize noise figure in the presence of these interferers. In this case, separate pointers control the LMT gain and the LPF gain independently (and digital gain if it is enabled). This allows the gain to be changed in the area of the receive path that is overloading. Recall that for the full gain table, gain changes could affect any or all of the gain blocks in the receive path regardless of where the overload occurs.

The architecture of the LMT table depends on which gain control mode is used so this aspect is covered in the next sections, which cover the various gain control modes in detail. An LMT table must be written to the [AD9361](#) using the `ad9361_load_gt` function. A LPF table per se does not exist. Instead, the LPF index directly translates to LPF gain in dB. The same is true of digital gain (if it is enabled). LPF gain ranges from 0 to 24(d) while digital ranges as mentioned previously from 0 to 31(d).

The total gain in dB of the [AD9361](#) is not necessarily equal to the LMT and LPF indices added together. The actual gain of the LMT stages vary with LO frequency and in addition some of the LMT steps are larger than one dB. Thus, changing the LMT index by one may not change the gain by 1 dB. This concept is easier to understand when looking at the tables.

The maximum index when using the split table mode is 40(d).

To read back the split table gain indices in any gain control mode, use the `ad9361_get_rx_rf_gain` function.

Table 16. Reading Split Table Gain Indices

Register(hex)	Function
2B0[D6:D0]	Rx1 LMT gain index
2B1[D4:D0]	Rx1 LPF gain index
2B2D4:D0[Rx1 digital gain index (if enabled)
2B5[D6:D0]	Rx2 LMT gain index
2B6[D4:D0]	Rx2 LPF gain index
2B7[D4:D0][Rx2 digital gain index (if enabled)

DIGITAL GAIN

All modes (MGC, AGC) and both gain table modes allow for the addition of digital gain. The maximum allowable index for a full gain table is 90(d). The maximum digital index is 31(d). A standard full gain table with only analog gain has a maximum index of 76(d). For the gain tables provided by Analog Devices, this leaves 24(d) indices left over for digital gain. Alternative gain tables that reach their maximum analog gain at an index lower than 76(d) can accommodate more digital gain steps (up to 31).

It is important to point out that digital gain does not increase signal-to-noise (SNR) ratio as it is merely multiplies the digital word by a factor. In this way, both noise and signal are increased and thus SNR remains the same. For many applications, digital gain is not needed. Further, modifying the gain table and sacrificing analog gain to add more digital gain will decrease the performance of the system.

In some cases, however, it is desired that the signal power received by the BBP, be equal to some nominal value. For very low signal levels in which the maximum analog gain is still not high enough to achieve this goal, variable digital gain can be used.

MGC OVERVIEW

In MGC mode, the BBP controls the gain index pointer(s). This mode is setup with the `ad9361_set_rx_gain_control_mode` function. In its simplest form, in MGC the BBP evaluates the digital signal level at the I/O port and then adjusts the gain appropriately. In this scenario, the BBP needs no other information other than the digital signal level that it receives. For the full (single) gain table, this is all that is needed—an overload requires that the gain be decreased.

However, the [AD9361](#) has programmable thresholds that indicate the condition of the signal in each receiver. Routing these signals to the control output pins and then connecting them to the BBP inputs allows the BBP to determine the status of the received signals in more detail. For a split gain table, this information allows the BBP to adjust the gain in the area, which is overloading because it indicates where the overload is occurring (LMT, LPF, digital).

The BBP can control manual gain in one of two ways. The default method uses SPI writes of the gain indices. Alternatively, the BBP can pulse the control input pins to move the gain indices. CTRL_IN0 causes the gain index to increase for Rx1 and CTRL_IN1 causes the gain index to decrease for Rx1. Similarly, CTRL_IN2 causes the gain to increase for Rx2 and CTRL_IN3 causes the gain to decrease for Rx2. This mode can be configured using the `ad9361_set_rx_gain_control_mode` function. The pulse is asynchronous so setup and hold are not relevant but the time high and low must be at least two ClkRF cycles for the AD9361 to detect the event. ClkRF is the clock used at the input of the receive FIR filters.

In full table mode, a single index for the receiver controls the gain. If SPI writes are used to control the gain, then writing the registers sets the gain index directly. If the control input pins are used to control the gain, then pulsing the various pins moves the gain index pointer(s) up and down the full table.

In split table mode, if the BBP uses SPI writes to control the gain, then separate register writes are needed to set the LMT and LPF gain indexes. Digital gain (if enabled) would require a third register write. If the BBP uses the control inputs to change the gain in split table mode, then there are two options. There are only four control inputs but there are eight different analog gain adjustments to make (LPF, LMT, Rx1, Rx2, increment, and decrement for each). One option is to use an SPI bit to determine where the gain index changes (LMT or LPF). Clearing the Use AGC for LMT/LPF Gain bit (0x0FC[D3]) enables this option and the Inc/Dec LMT Gain bit (0x0FC[D4]) selects the gain change location. For this option, the gain table architecture still looks like Figure 22. If digital gain is enabled, the BBP must change this gain by via SPI writes. The CTRL_IN pins do not change digital gain in split table mode.

Alternatively, if the Use AGC for LMT/LPF Gain bit is set, the AD9361 peak detectors determine where the gain changes. With this option, the architecture of the split table changes as shown in Figure 23. Note that the LMT table has been split into two sections, an upper LMT table and a lower LMT table. The dividing line is the initial LMT gain limit.

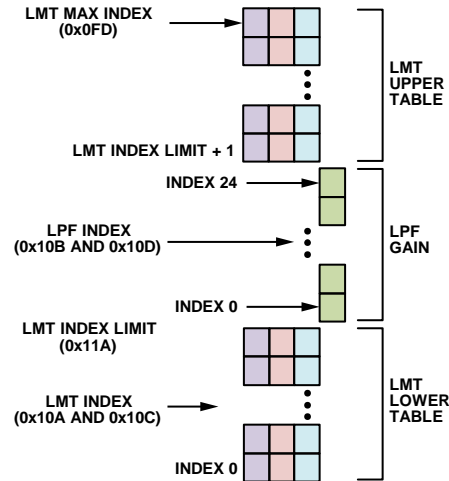


Figure 23. Split Table in Manual Gain Mode, Control Inputs and Peak Detectors Control Gain Indices

Additionally, where overloads occur and where the gain indices are currently pointing affects where the gain changes as noted in Table 17. As the table demonstrates, the algorithm decreases LMT gain first and then, when the LMT index reaches the LMT Index Limit, the type of overload determines where the gain decreases. Increment and decrements registers 0x0FC and 0x0FE set the amount of gain change.

If more than one overload condition occurs simultaneously, then LMT overloads are first priority, ADC overloads are second, and Digital Saturation is third.

Table 17. Manual Gain Split Table Gain Change Location vs. Index Position and Overload Location

Overload Type	Gain Index Position(s)	Change Gain in
Large LMT	LMT index > 0	LMT table
Large LMT	LMT index = 0	LPF table
Large or Small ADC	LMT index is in upper LMT table (index > initial LMT gain limit)	LMT table
Large or Small ADC	LMT index is in lower LMT table (index ≤ initial LMT gain limit)	LPF table
Digital Saturation	N/A	Digital table

SLOW ATTACK AGC MODE

Slow attack mode is intended for slowly changing signals such as those found in some FDD applications, for example, WCDMA and FDD LTE. The slow attack AGC uses a second-order control loop with hysteresis that changes the gain to keep the average signal power within a programmable window. The power is measured between HB1 and the Rx FIR filter. This is the same location as the low power detector in Figure 18. In addition, the BBP can set bits to enable faster reactions for signals that exceed the LMT and ADC thresholds. Enable AGC slow attack mode with the `ad9361_set_rx_gain_control_mode` function.

Figure 24 demonstrates the concept of the control loop. Where inner high threshold and inner low threshold are stored in negative dBFS. The outer high threshold and outer low threshold are stored as dB deltas to the inner thresholds. The A, B, C, and D step sizes are programmable. These step sizes determine how much the gain index pointer changes after the average signal power exceeds a threshold.

Note that the **AD9361** does not have default thresholds or step sizes. The BBP must write all of these values using the `ad9361_set_rx_gain_control_mode` function.

SLOW ATTACK AGC GAIN UPDATE TIME

When the average signal power exceeds a threshold, the gain does not necessarily change immediately. In FDD systems, there are typically brief periods (such as those around slot boundaries) that accommodate gain changes or other system parameter updates. To accommodate this aspect of FDD protocols, the **AD9361** gain will only update after the gain update counter expires. The counter is clocked at the `ClkRF` rate (the input rate of the `RFIR`). The depth of the counter can be set equal to double or quadruple the value in these registers.

The counter clock begins running three clock cycles after the **AD9361** enters the receive state. Since the BBP is responsible for moving the **AD9361** among its states, it can determine when the gain update counter will expire. In this way, the Gain Update Counter can be set such that it always expires at slot (or other) boundaries. Additionally the BBP can reset the gain update counter by setting the Enable Sync for Gain Counter bit and taking `CTRL_IN2` high.

The slow AGC is typically configured to have multiple power measurement cycles within each gain update period. The last power measurement performed before a gain update boundary determines whether (and by how much) the gain should change.

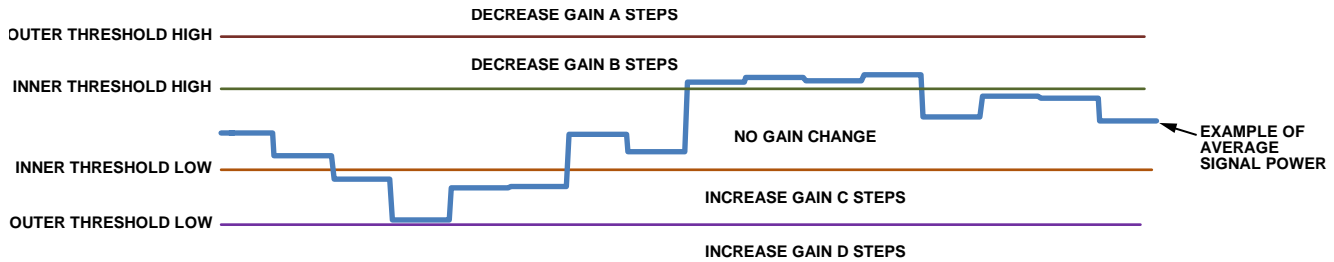


Figure 24. Slow Attack AGC Control Loop Limits and Step Sizes

OVERLOADS IN SLOW ATTACK AGC MODE

In addition to the control loop discussed previously, the slow attack AGC can react more quickly to peak overload events such as the large LMT and large ADC overloads.

In slow attack mode, the AD9361 counts the number of times a particular overload event occurs. Only if the event(s) occur more than a programmable number of times will the gain change. Even for these peak overloads, the gain only changes when the Gain Update Counter expires. The counters are stored as the LMT and ADC Overload Counters. The AD9361 does not have default values for these counters so the BBP must write all of these values using the `ad9361_set_rx_gain_control_mode` function.

During the a gain change event, the highest priority is given to the large LMT detector, followed by the large ADC detector, and followed lastly by the power detectors used by the second-order window control loop.

It is also possible to setup the AD9361 such that large LMT overloads and/or large ADC overloads result in an immediate gain change, ignoring the Gain Update Counter. This mode is set with the Immed Gain Change if Lg LMT Overload bit and Immed Gain Change if Lg ADC Overload bit.

If the average signal power falls below one or both of the control loop low thresholds (which would normally result in a gain increase) but one or both of the small peak overload detectors

(LMT or ADC) has tripped, setting the Prevent Gain Inc bit prevents the gain from increasing.

Like LMT and ADC overloads, the AD9361 uses a counter to determine how many times digital saturation has occurred. This counter is the Dig Saturation Exceeded Counter, and if it is exceeded, the gain index is reduced.

SLOW ATTACK AGC AND GAIN TABLES

In full table mode, a single table controls the gain of all Rx signal path stages. Table 18 shows the effect of peak overloads (after their associated counters are exceeded). Recall that a particular overload condition results in the gain index moving a programmable number of steps but the gain may change in any number of different gain blocks.

In split table mode, the gain table is split as described earlier in the document and as shown in Figure 23.

In a split table, there are two independent index pointers for analog gain and one additional pointer for digital gain (if enabled). Table 19 describes the effect of various peak overload conditions, identical to split table shown in the manual gain section. If the gain changes in the LPF table, the LPF step size used is Decrement Step Size for: Large LPF Gain Change. Similarly, if the gain is changed in the LMT table, the step size used is Dec Step Size for: Large LMT Overload.

Table 18. Slow Attack AGC Full Gain Table Overload Steps

Peak Overload	Reduce Gain by this many Indices (Step Size)	Step Size Location
Large LMT	Dec Step Size for Large LMT Overload	Step Size for: Large LMT Overload/Full Table Case #3
Large ADC	Decrement Step Size for Large LPF Gain Change	Decrement Step Size for: Large LPF Gain Change/Full Table Case #1
Digital Saturation	Digital Gain Step Size + 1	Digital Gain Step Size

Table 19. Slow Attack/Hybrid AGC Split Gain Table Overload Steps

Overload Type	Gain Index Position(s)	Change Gain in
Large LMT	LMT Index > 0	LMT table
Large LMT	LMT Index = 0	LPF table
Large or Small ADC	LMT Index is in Upper LMT Table (Index > Initial LMT Gain Limit)	LMT table
Large or Small ADC	LMT Index is in Lower LMT Table (Index ≤ Initial LMT Gain Limit)	LPF table
Digital Saturation	N/A	Digital table

HYBRID AGC MODE

The hybrid AGC mode is the same as the slow AGC mode with the exception that the gain update counter is not used. Instead, gain updates occur when the BBP pulls the CTRL_IN2 signal high. The hybrid term arises because the BBP has taken some control of the algorithm away from the AD9361 so gain control is no longer completely automatic. Hybrid mode is enabled with the ad9361_set_rx_gain_control_mode function.

FAST ATTACK AGC MODE

Fast attack AGC mode is intended for waveforms that burst on and off, such as those found in TDD applications or GSM/EDGE FDD applications. The AGC responds very quickly to overloads at the start of a burst so that the AGC can settle to an optimum gain

index by the time the data portion of the signal arrives. The AGC also has an optional slow decay that allows the gain to increase if the signal power decreases while the AGC is locking to an optimum gain. Fast attack mode is configured with the ad9361_set_rx_gain_control_mode function.

When the AD9361 enters the Rx state, the fast attack AGC state machine leaves State 0 and enters State 1 as shown in Figure 25. Its goal is to adjust the gain index such that an optimum receive gain is realized in a very short period of time. The AGC progresses through several states on its way to Gain Lock, in which state the gain does not change (unlock) unless large signal level changes occur or if the burst ends. When the gain unlocks, the AGC state machine moves back to its reset state and starts over. Figure 25 shows a high-level diagram of the AGC states.

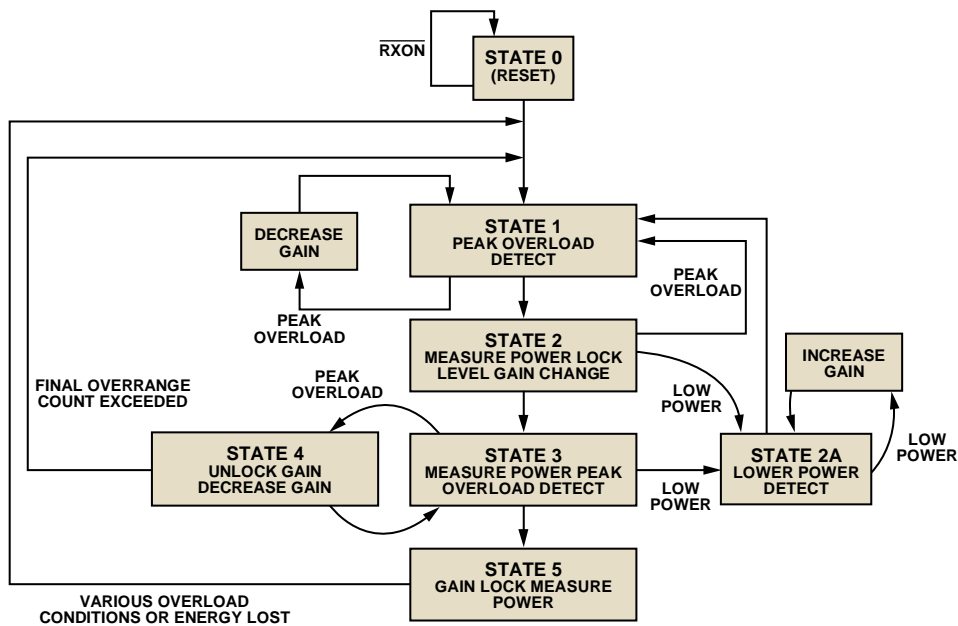


Figure 25. Fast Attack AGC High Level Stage Diagram

11668-026

STATE 0: RESET

The AGC remains in this state when the AD9361 is not in the Rx state. The AGC performs no actions while in this state.

STATE 1: PEAK OVERLOAD DETECT

When the AD9361 enters the Rx state, the AGC first waits for a time in microseconds set by the AGC attack delay register. This delay allows the receive path to settle before the AGC begins determining the optimum gain index.

After this delay, the AGC enters State 1, where it detects peak overloads (LMT and ADC) and adjusts the gain. The digital saturation detector is also enabled, but in State 1 the signal may not have enough time to reach the detector. Each time the gain changes, the AD9361 holds the peak detectors in a reset state until the Peak Overload Wait Time counter expires. If no peak overloads are detected for the Energy Detect Count, then the AGC can proceed to State 2. The Energy Detect Count is clocked at the Clkrf rate (the clock used at the input to the Rx FIR filter).

The overloads affect the gain index in different ways for different gain table types as shown in the Table 20 and Table 21. In full gain table mode, the AD9361 uses different step sizes (changes in gain index) for differing extremes of overload. Table 20 shows where the step sizes are stored for the fast attack AGC in full table mode.

The Case #1 step size is typically larger than Case #2 which itself is typically larger than Case #3.

Table 21 shows the effects of various overloads when using a split table. Figure 26 shows the split table architecture. Note that the gain first decreases from the LMT table regardless of where the overload occurs. When the gain index reaches the LMT index limit, the gain decreases where the overload occurs.

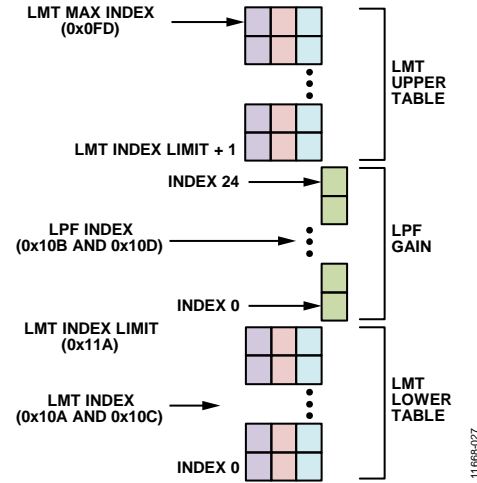


Figure 26. Fast AGC Split Gain Table Architecture

Table 20. Fast Attack AGC Peak Overload Step Sizes for Full Gain Table

Peak Overloads	Reduce Gain by this many Indices (Step Size)	Step Size Set By
Large ADC \wedge (Large LMT V Digital Sat)	Decrement Step Size for Full Table Case #1	0x106[D3:D0]
Large ADC V Large LMT V Digital Sat	Fast Attack Only. Decrement Step Size for Full Table Case #2	0x106[D6:D4]
Small ADC	Dec Step Size for Full Table Case #3	0x103[D4:D2]

Table 21. Fast Attack AGC Peak Overload Step Sizes for Split Gain Table

Overload Type	Gain Index Position	Change Gain In
Large LMT	N/A	LMT Table
Large or Small ADC	LMT Index is in Upper LMT Table (Index > Initial LMT Gain Limit)	LMT Table
Large or Small ADC	LMT Index is in Lower LMT Table (Index \leq Initial LMT Gain Limit)	LPF Table
Digital Saturation	N/A	Digital Table

STATE 2: MEASURE POWER AND LOCK LEVEL GAIN CHANGE

Upon entering State 2, the AGC waits for a time equal to Settling Delay minus Energy Detect Count. The subtraction is performed because the AGC has already waited for the Energy Detect Counter to expire in order to exit State 1. Thus, the delay before measuring power does not need to count through this delay again. After the delay calculated above, the AGC measures average signal power at the output of the HB1 filter (see the Average Signal Power section).

The AGC keeps the LMT, ADC, and digital saturation overload detectors enabled while it is in State 2. If overloads occur, the AGC will go back to State 1 to reduce the gain.

If the Enable Incr Gain bit is set, then the AGC is allowed to increase gain if the average signal power stays below the Low Power Threshold for a time greater than the Increment Time. The gain step size used Increment Gain Step + 1. The gain continues to increase until the signal does not remain below the Low Power Threshold longer than the Increment Time. Figure 25 shows this as State 2A. The AGC exits State 2A by going back to State 1 to check again for Peak Overloads.

If the AGC has entered State 2 and does not detect a low power condition, or the Enable Incr Gain bit is cleared, then the measured signal power is compared against the AGC Lock Level (Fast). The AGC then adjusts the gain to match the average signal power to the AGC Lock Level setting. The lock level is stored in -dBFS in a resolution of 1 dB/LSB. If the gain needs to increase to achieve the lock level setting, then there is a maximum amount that it can increase, set by AGCLL Max Increase.

In the full gain table mode, the AGC simply changes the gain index such that the signal power matches the lock level (unless limited by the AGCLL Max Increase). In split table mode, if the Enable LMT Gain Incr for Lock Level bit is set high, the actions are per Table 22. If that bit is not set high, then only LPF gain can be used for gain increases. In addition, regardless of the bit setting, if a small LMT overload occurs during the lock level calculation, LMT gain will not be allowed to increase to meet the lock level.

STATE 3: MEASURE POWER AND PEAK OVERLOAD DETECT

When the AGC enters State 3, it locks the gain. This state can affect other portions of the AD9361 such as DC offset tracking updates and RSSI measurement start times.

The AGC continues to measure power and it keeps its large LMT, large ADC, and digital saturation overload detectors enabled.

If the Enable Gain Incr After Gain Lock bit is set and the Enable Incr Gain bit is set, then the AGC will check to see if a Low Power condition occurs. The method used is the same as that used in State 2 (including the transition to State 1 if the gain must increase). If Enable Gain Incr After Gain Lock is clear, then the AGC does not perform the low power test in State 3. If the AGC exits State 3 due to a low power condition, the gain unlocks.

If the thresholds have been set correctly, then the overload detectors should not assert even after the lock level adjustment unless the signal-of-interest level increases or an out-of-band blocker is suddenly present. To guard against these possibilities, the AGC monitors its overload detectors. If overloads occur after the lock level adjustment, the AGC uses different step sizes to change the gain.

In full gain table mode, regardless of the type of overload, the step size (number of indices reduced) is always the Post Lock Level Step Size for Full Table value. In split gain table mode, the step size is the Post Lock Level Step Size for LPF Table for ADC overloads and the Post Lock Level Step for LMT Table for LMT overloads. These step sizes are usually smaller than those used in State 1 and State 2. State 1 and State 2 overload step sizes are designed to respond to large overloads very quickly. The overload that may occur in State 3 would normally be smaller and require less adjustment.

STATE 4: UNLOCK GAIN

If these overloads occur, the AGC decreases gain in State 4. The gain unlocks while the AGC is in State 4. The AGC then returns to State 3.

The AGC counts the number of overload conditions that occur after the Lock Level adjustment. If this number exceeds the Final Overrange Count, then the AGC goes back to State 1 and resets its peak detectors.

Table 22. Fast Attack AGC Lock Level Gain Index Change for Split Gain Table

If Gain Needs To	Do This First	And If	Then Do This
Decrease	Reduce LPF gain index	LPF gain index = 0	Reduce LMT gain index
Increase	Increase LMT gain up to LMT step size	Total gain change > LMT step size	Increase LPF gain index

STATE 5: GAIN LOCK AND MEASURE POWER

When the AGC reaches State 5, the AGC locks the gain (if it was unlocked). The AGC also measures the average signal power when the gain locks and stores this value as a reference power level. This value is used for comparisons against other thresholds, which can unlock the gain. State 5 is the final state in the AGC algorithm and is intended to maintain the same gain unless a large change in signal amplitude occurs (such the end of the burst or subframe or a large interfering signal suddenly arrives or departs). In State 2 and State 3, the measurement length is set by Dec Power Measurement Duration. In State 5, the measurement length is set by Power Meas in State 5. The mapping of bits to duration is the same for both sets of registers and is defined in Equation 17. The reason for the difference is that in earlier states, the object is to lock the gain as quickly as possible. This would mean that a shorter measurement time may be used for earlier states but a longer time can be used once the gain has locked.

When the gain unlocks, the AGC can reset the gain to maximum gain or to one of several other gain positions as shown in Table 23. When the gain unlocks, the AGC returns to State 1 (or State 0 if the AD9361 exits the Rx state). When the AGC returns to State 1, it sets the digital gain to 0 dB (unless the digital gain is

forced to a fixed value). Optimize Gain and Set Gain both can reduce the time required for gain lock since they both use the previous burst gain index information.

Set Gain can use either the beginning or ending gain lock index of the previous burst. The setting of Use Last Lock Level for Set Gain determines which gain index is used. The front of the burst would typically be used if a preamble or boosted portion of the signal occurs at the beginning of the burst. The AGC should lock on that boosted portion. If the entire burst uses the same nominal power level, then the AGC should use the end of the burst gain index.

If the thresholds are set correctly, then the most likely scenario is for the AGC to unlock the gain at the end of the burst (Energy Lost Threshold) or if the AD9361 exits the Rx State. Unlocking the gain for an ADC overload is similar to a stronger signal test but is a peak detector rather than a power detector. Unlocking the gain for a large LMT overload checks for large interfering signals and is a peak detector. All of these tests are recommended for a typical fast AGC configuration. Even in this simple case, there are options for what happens to the Gain Index when the gain unlocks (see Table 24).

$$Dec\ Power\ Meas\ Duration\ (Rx\ Sample\ Periods) = 16 \times 2^{Dec\ Power\ Measurement\ Duration[3:0]} \tag{17}$$

Table 23. Gain Unlock Index Options

Gain Index When Reset	Set By	Definition
Maximum Gain	Maximum Full Table or Maximum LMT Table Index (0x0FD) and Maximum LPF of 0x18	Maximum Analog Gain
Optimize Gain	AGC gain lock index at end of last burst Plus Optimize Gain Offset (0x116[D3:D0])	An optimized value that reduces the amount of steps the AGC should typically take to lock the gain for each burst
Set Gain	AGC gain lock index at the start of the last burst Or AGC gain lock index at the end of the last burst	Similar to Optimize Gain but allows use of front of burst gain or end of burst gain setting
No Gain Change	N/A	No change to the gain index

Table 24. Gain Unlock Condition vs. Gain Index

Condition that Unlocks the Gain	Gain Index Type ¹	Set Bits	Clear Bits
Exit Rx State	Max gain	None required	0x110[D4], 0x110[D2]
Exit Rx State	Optimize gain	0x110[D2]	0x110[D4]
Exit Rx State	Set gain	0x110[D4]	0x110[D2]
Energy Lost Threshold Exceeded	Max gain	None required	0x110[D6], 0x110[D3] only if 0x0FB[D6] set
Energy Lost Threshold Exceeded	Optimize gain	0x110[D6]	0x110[D3] only if 0x0FB[D6] set
Stronger Signal Threshold Exceeded	No change	None required	0x115[D7] if 0x0FB[D6] set
Large ADC Overload	No change	None required	0x114[D7] and 0x110[D1] if 0x0FB[D6] set
Large LMT Overload	No change	None required	0x110[D1] if 0x0FB[D6] set

¹ A gain index type of no change indicates that the gain index does not immediately change but the AGC algorithm does start over so the gain index will very likely change after the AGC moves through its states and re-locks. For other gain index types such as set gain, the AGC first changes the gain index to the proper position and then restarts the algorithm.

When comparing the signal power with the energy lost threshold, there is also a time factor as well. Each time the signal power value updates, the AGC computes the difference between the power measured at the beginning of gain lock and the current signal power. This difference is compared against the Energy Lost Threshold. If the difference exceeds the threshold for a time equal to twice the Gain Lock Exit Count then the gain unlocks as shown in Table 24. The Gain Lock Exit Count is clocked at the ClkRF rate. The same comparison is made for the Stronger Signal Threshold, which appears in Table 26.

The large ADC threshold is stored in Register 0x105 and the large LMT threshold is stored in Register 0x108. For the peak detectors, there are no time requirements. A single overload will unlock the gain.

Generally, the AGC is the best arbiter of when the gain should unlock. However, in some situations, it may be advantageous for the BBP to initiate an unlock condition. If the BBP pulls the EN_AGC pin high, the gain will unlock and the AGC algorithm will restart. The BBP cannot force the gain to lock at a certain time but it can control when the gain unlocks. Table 25 shows how to use this feature.

If the thresholds are set correctly, the typical setup which unlocks the gain when the AD9361 exits Rx mode or if the burst/subframe ends is sufficient for most applications. However, if desired, it is also possible to prevent the gain from unlocking in some instances (see Table 26). The settings are dependent on whether the BBP will use the EN_AGC pin to unlock the gain. If this is the case, then the EN_AGC pin should be low except when the gain should be unlocked. If the EN_AGC pin is not used, then the Gain Lock Delay bit must be set high.

Table 25. Full List of Gain Unlock Conditions vs. Target Gain Index

Condition that Unlocks the Gain	Gain Index Type	Set Bits	Clear Bits
EN_AGC pulled high	Maximum gain	0x0FB[D6], 0x111[D5]	0x110[D6:D5]
EN_AGC pulled high	Optimize gain	0x0FB[D6], 0x110[D6], 0x111[D5]	0x110[D5]
EN_AGC pulled high	Set gain	0x0FB[D6], 0x110[D5]	0x111[D5]
EN_AGC Pulled high	No gain change	0x0FB[D6]	0x110[D5], 0x111[D5]

Table 26. Preventing Gain Unlock Conditions in State 5

If EN_AGC Pin Is Used	Don't Unlock Gain Even If:	Set Bits
No	Energy Lost Threshold Exceeded	0x0FB[D6], 0x014[D1], 0x110[D3]
No	Stronger Signal Threshold Exceeded	0x0FB[D6], 0x014[D1], 0x115[D7]
No	Large ADC or Large LMT Overload	0x0FB[D6], 0x014[D1], 0x110[D1]
Yes	Energy Lost Threshold Exceeded	0x0FB[D6], 0x110[D3]
Yes	Stronger Signal Threshold Exceeded	0x0FB[D6], 0x115[D7]
Yes	Large ADC or Large LMT Overload	0x0FB[D6], 0x110[D1]

CUSTOM GAIN TABLES

OVERVIEW

Analog Devices supplies gain tables to use with the [AD9361](#), but some applications require modifying those tables to optimize the RF performance (using an external LNA or creating 3 dB gain steps for example). This section shows how to modify the gain tables that the [AD9361](#) uses for all gain control modes. Once created the custom gain table can be loaded into the [AD9361](#) using the `ad9361_load_gt` function.

The various gain block indices map to approximate gain per the following tables (all values for 2300 MHz). Note that these are nominal values and some variation with carrier frequency, temperature, and process is expected for the LNA and mixer tables. For accurate gain vs. gain index values RF characterization needs to be done with the specific customer configuration.

Table 27. LNA Gain vs. Index

Internal LNA Index	Internal LNA Gain (dB)
0	3
1	14
2	17
3	21

Table 28. Mixer Gm Gain vs. Index

Mixer Gm Index (d)	Mixer Gm Index Gain (dB)
0	0
1	3
2	9
3 – 15	= Index + 11

Table 29. TIA Gain vs. Index

TIA Index	Internal LNA Gain (dB)
0	-6
1	0

Table 30. LPF Index vs. Gain

LPF Index (d)	LPF Gain (dB)
0 – 24	= Index

Table 31. Digital Index vs. Digital Gain

Digital Index (d)	Digital Gain (dB)
0 – 31	= Index

Table 32 shows a small portion of an example full gain table. This is the same format as the Analog Devices supplied full gain table, but some of the columns are color-coded to aid in the clarity of the column purposes. It is important to note that the BBP only uses the values in the table index column as well as the 0x131, 0x132, 0x133 columns when programming a gain table into the AD9361. These 0x131, 0x132, 0x133 columns have register addresses as column headers. The 0x131, 0x132, 0x133 columns are concatenations of various gain stage indices. For example, 0x131 is a digital word that includes the gain indices for the external LNA, the internal LNA, and the mixer. All other columns are only used to make the gain table more readable.

Starting at the far left of Table 32, table index is the index or pointer to the table. When the AD9361 is in the FDD or receive states, this index controls the receive path gain.

The next column to the right is the external LNA index. See the External LNA section for details on how the AD9361 can control an external LNA. Briefly, a bit in the gain table can be output to a GPO and used to control the gain of an external LNA.

The next column to the right is the external LNA gain. This column has no purpose except to indicate total receive path gain when using an external LNA.

Moving to the right again leads to the iLNA index. This is the internal LNA index, which controls LNA gain. iLNA Gain in dB is next to iLNA index which is only used to add to other stages gains and which result in the estimated total receive path gain.

Again moving to the right results in the mixer index and next to that column is the mixer gain, both of which are analogous to the iLNA index and iLNA gain described previously.

The 0x131 column to the right is the digital word that is a concatenation of all of the previous indices.

The TIA index and TIA gain are related as described previously for other gain stages. The LPF index is always equal to the LPF gain in dB so only the index column is shown. 0x132 is a concatenation of the TIA and LPF indices.

The RF DC Cal bit is described in the RF DC Cal Bit section.

Digital gain, like the LPF gain, is equal to the digital index so only the index column is shown. 0x133 is a concatenation of the DC Cal bit and the digital index.

Finally, the total gain column shows the estimated total Rx path gain of the AD9361 for each gain index.

Table 32. Portion of Analog Devices 800 MHz Full Gain Table

Table Index	eLNA Index	eLNA Gain	iLNA Index	iLNA Gain	Mixer Index	Mixer Gain	0x131	TIA Index	TIA Gain	LPF Index	0x132	DC Cal	Digital Index	0x133	Total Gain
0	0	0	0	5	0	0	0	0	-6	0	0	1	0	20	-1
1	0	0	0	5	0	0	0	0	-6	0	0	0	0	0	-1
2	0	0	0	5	0	0	0	0	-6	0	0	0	0	0	-1
3	0	0	0	5	0	0	0	0	-6	1	1	0	0	0	0
4	0	0	0	5	0	0	0	0	-6	2	2	0	0	0	1
5	0	0	0	5	0	0	0	0	-6	3	3	0	0	0	2
6	0	0	0	5	0	0	0	0	-6	4	4	0	0	0	3
7	0	0	0	5	0	0	0	0	-6	5	5	0	0	0	4
8	0	0	0	5	1	3	1	0	-6	3	3	1	0	20	5
9	0	0	0	5	1	3	1	0	-6	4	4	0	0	0	6
10	0	0	0	5	1	3	1	0	-6	5	5	0	0	0	7
11	0	0	0	5	1	3	1	0	-6	6	6	0	0	0	8
12	0	0	0	5	1	3	1	0	-6	7	7	0	0	0	9
13	0	0	0	5	1	3	1	0	-6	8	8	0	0	0	10

RF DC CAL BIT

As referenced in the RF DC Offset Calibration section, the RF DC Cal bit is set for unique combinations of LMT gains. Setting this bit forces the RF DC calibration algorithm to reduce RF DC offset at those gain indices that involve unique LMT gain settings. In a split gain table, each index will have this bit set as each index is likely a unique LMT gain configuration. In a full table, each index will not have a unique LMT gain setting. There may be several gain indices using the same LMT configuration while the LPF gain changes for each index. In this case, set the RF DC Cal bit in the lowest index of the unique LMT gain. In Table 32, note that the RF DC Cal bit is set for Index 0 but not set for Indices 1 through 7. In all of these indices, only LPF gain is changing so the RF DC Cal bit is only set for one index. The RF DC offset correction words used for index 0 is also used for the higher indices.

MAXIMUM FULL TABLE/LMT TABLE INDEX

All Analog Devices suggested gain tables have a maximum full table index of 76(d). The split table maximum index is 40(d). The Maximum Full Table/LMT Table Index register sets the highest gain table index that is calibrated as described in the RF DC Cal Bit section. The chip default is 76(h) so if a suggested full table is used, no change is required. If the BBP programs a gain table with a different maximum index or a split table is used, this value must be changed to the proper maximum index value.

EXTERNAL LNA

An external LNA may be added to the receive path to improve the system noise figure. All gain control modes work seamlessly with external LNAs, whether they are fixed gain devices or devices that can be bypassed with the use of a control signal. Note that the maximum single-ended level allowed at an AD9361 RF pin is +2.5 dBm peak. The system engineer should perform an analysis of the maximum possible signal at the external LNA input added to the external LNA gain to determine if the external LNA gain is acceptable. If the signal level at the AD9361 RF input will be greater than the maximum allowable level, then an external LNA with lower gain or an attenuator must be used.

Fixed-gain LNAs are external amplifiers (or attenuators) that always provide a nominal amount of gain. This gain is not controllable and the LNA cannot be bypassed. In this case, there are no programming changes necessary for the AD9361.

Variable-gain external LNAs use a control signal to select between two different gains. Usually one is the high gain setting and the other is the low gain or bypass setting, which is typically a loss. The external LNA would use high gain in most conditions unless the input to the internal LNA is too high (+2.5 dBm peak). For those conditions, the external LNA would use low gain (bypass mode).

If manual gain mode is used, then there are two methods of controlling the external LNA gain. In the first method, the BBP controls the gain using a GPO pin connected to the external LNA. Since the BBP controls the gain in the AD9361, it also can control the gain of the external LNA. In the second method, the gain table in conjunction with an AD9361 GPO controls the external LNA. A bit in the gain table drives GPO0 for Rx1 and GPO1 for Rx2. Setting this bit to a zero results in a low GPO output level while a one results in a high GPO output level. To route the external LNA bits set in the gain table to GPO pins, set the External LNA1 control and External LNA2 control bits.

For AGC modes, the AD9361 must control the external LNA gain since the changes will occur quickly and the BBP will not have knowledge of the gain index that is used until it is selected by the AGC.

Every time the gain changes, the gain control algorithm waits for a duration equal to the Peak Wait Time while the analog signal path settles. This value should be increased to allow for the settling time of the external LNA, otherwise, the peak detectors will be enabled before the analog stages have settled.

If the AD9361 will be used to measure RSSI, then the Ext LNA High Gain and Ext LNA Low Gain registers should be programmed with the external LNA gain values. The part considers both values to represent positive gain in the front end prior to the AD9361. Both registers use 0.5 dB/LSB resolution and range from 0 dB to 31.5 dB. If the low gain value is negative then the Ext LNA High Gain should be offset by this amount and the Ext LNA Low Gain should be set to 0 (for example, high gain value = 15 dB, low gain value = -5 dB, program Ext LNA High Gain = 20 dB and Ext LNA Low Gain = 0 dB). This will prevent a step in the RSSI value when the external LNA goes from an on to an off condition.

RECEIVED SIGNAL STRENGTH INDICATOR (RSSI)

OVERVIEW

Given the wide variety of applications for which the AD9361 is suited, the received strength signal indicator (RSSI) may be setup in one of several configurations, allowing the user to optimize the RSSI to produce extremely accurate results with a minimum of BBP interaction. RSSI accuracy is inherently very good but can be improved through various means, including the gain step calibration.

The AD9361 measures RSSI by measuring the power level in dB and compensating for the receive path gain. The various options available support both TDD and FDD applications. Note that the RSSI value is not in absolute units. Equating the RSSI readback value to an absolute power level (for example, in dBm) requires a factory calibration. To calibrate the RSSI word to an absolute reference, inject a signal into the antenna port of the completed system and read the RSSI word. From this test, generate a correction factor that equates the RSI word to the injected signal level at the antenna port. This calibration is separate from the gain step calibration.

MODE SELECT AND MEASUREMENT DURATION

The RSSI Mode Select bits determine what event starts or restarts the RSSI algorithm and clears the accumulator, per Table 33.

If the Default RSSI Meas Mode bit is set, then the duration is a simple power-of-two value shown in Equation 18.

$$RSSI \text{ Total Measurement Duration} = 2^{Measurement \text{ Duration } 0[3:0]} \tag{18}$$

$$RSSI \text{ Total Measurement Duration} = \sum_{i=0}^3 2^{Measurement \text{ Duration } i[3:0]} \tag{19}$$

$$Weighted \text{ Multiplier } n = 255 \times \left(\frac{2^{Measurement \text{ Duration } n[3:0]}}{RSSI \text{ Total Measurement Duration}} \right) \tag{20}$$

Table 33.RSSI Mode Select

RSSI Mode Select	The RSSI Algorithm (re)starts when:	Useful For
000	AGC in Fast Attack Mode Locks the Gain	TDD
001	EN_AGC pin is pulled high	TDD, measuring a symbol late in the burst
010	AD9361 enters Rx mode	TDD
011	Gain change occurs	FDD
100	SPI write to Register 0x158[D5]	FDD
101	Gain change occurs or EN_AGC pin pulled high	FDD

If the Default RSSI Meas Mode bit is clear, then non-power-of-two durations are possible per Equation 19. The four duration values are stored in Register 0x150 and Register 0x151.

Duration is always Rx sample-rate cycles.

RSSI WEIGHTING

If the Default RSSI Meas Mode bit is clear, then the RSSI measurement duration consists of up to 4 values summed together. Since each value can be different, each value must be correctly weighted by its duration in Rx samples. Weighting is calculated per Equation 20. If the Default RSSI Meas Mode bit is set, the AD9361 automatically populates Multiplier 0 with 0xFF and the other multipliers with 0x00. When calculated correctly, the total of all four weights added together will be 255 (d).

RSSI DELAY AND RSSI WAIT

When the RSSI algorithm (re)starts, the AD9361 first waits for the Rx signal path to settle. This is the RSSI delay and it is clocked at the Rx sample rate divided by 8. From this point on, the RSSI algorithm alternates between measuring RSSI and waiting to measure RSSI. The purpose of the RSSI Wait value is to align the RSSI measurement start with boundaries (such as slot boundaries) and is most useful in FDD applications. Figure 27 shows the use of RSSI Wait, RSSI Delay, and the measurement duration.

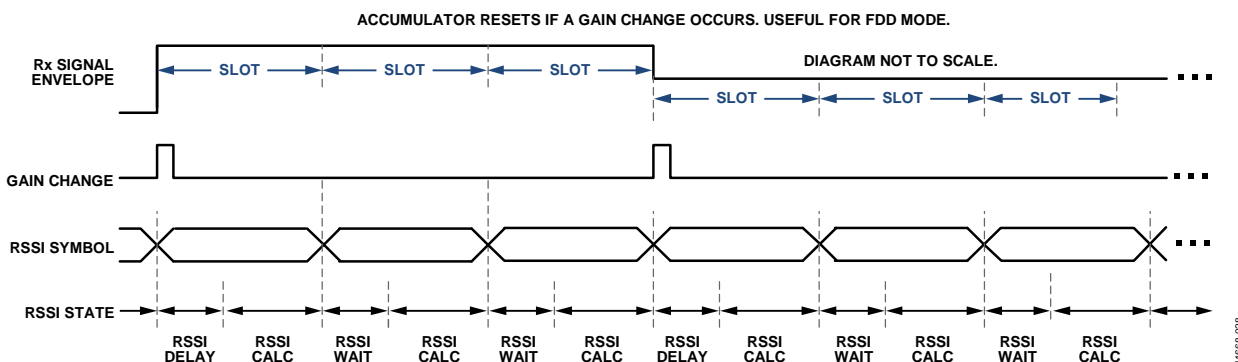


Figure 27. RSSI Used in FDD Application

RSSI PREAMBLE AND RSSI SYMBOL

The first RSSI calculation performed after the RSSI Delay counter expires is stored in both the RSSI Symbol and RSSI Preamble registers. The RSSI Preamble value remains fixed and does not continue to update unless the algorithm restarts. The RSSI symbol value updates at the end of each calculation as shown in Figure 27. An exception is that the RSSI preamble words do not update after a gain change (RSSI Mode Select settings 3'b011 and 3'b101).

The RSSI Symbol value is stored in 0.5 dB/LSB resolution. An additional LSB is also available, and if this bit is used, the resulting 9-bit word has a resolution of 0.25 dB/LSB. In either case, the range is 0 dB to –128 dB (note the negative sign). As the input signal power at the receiver increases, the RSSI value becomes less negative.

The RSSI Preamble can also be treated as an 8-bit or 9-bit word. The range and format is the same as the RSSI Symbol

RSSI RFIR

If the Rx Signal Path RFIR is used, RSSI uses the data from this FIR for its calculation. If the Rx Signal Path RFIR is bypassed, then it is still possible to use the RFIR for the RSSI data. The RFIR for RSSI Measurement bits set the RSSI RFIR operation per the following table.

Table 34. RSSI RFIR

RFIR for RSSI Measurement (decimal)	RSSI RFIR Decimation Factor and Filter Function
0	Decimate by 1 and bypass filter
1	Decimate by 1 and enable filter
2	Decimate by 2 and enable filter
3	Decimate by 4 and enable filter

RSSI GAIN STEP CALIBRATION

After the AD9361 digitizes and filters the signal, the RSSI algorithm subtracts the gain of the receive path. The resulting value is in dB and referenced to the input of the AD9361. If the actual gain of the AD9361 is different from the gain used by the RSSI algorithm, then as the receive path gain changes, the RSSI word may differ from an expected value. RSSI error typically is within 2 dB of the expected value, which is satisfactory for most applications.

For greater RSSI accuracy, the AD9361 uses a gain step calibration algorithm. Running this calibration does not change the actual gain of the receive path but instead only affects RSSI. LNA gain varies over frequency and the difference in gain from one step to another varies as well. The AD9361 stores gain steps as Max LNA Gain and differences from this maximum LNA gain stored in an indirectly addressed internal table accessed by Register 0x140 through Register 0x144. Maximum LNA gain occurs when the LNA gain index = 3.

In combination with an external single tone provided at the system input, the algorithm measures the actual gain steps to 0.25 dB precision and creates error terms that are added to the calculated RSSI value. Error terms are calculated for each LNA and mixer gain step. Each system runs this calibration as part of its factory test routine so that RSSI is optimized for each unit. The test fixture reads the resulting error terms out of the AD9361 and stores them in nonvolatile BBP memory. In the field during initialization, the BBP writes the error terms back into the AD9361.

The first step, performed only once, is to determine the optimum single tone amplitude. Provide a single tone within the channel bandwidth and monitor the received data. Adjust the tone amplitude until the received data is within a few dB of full scale but not overloading. This will be the single tone amplitude used during factory test. The calibration steps are:

1. Initialize the AD9361, making sure that the BB DC and RF DC calibrations run as part of this routine. In addition, make sure that BB DC tracking is turned on.
2. Put the AD9361 into the Alert state.
3. Table 35 shows the register values to use depending on the LO frequency used. The next steps that program the step values will use the values from this table.

Table 35. Gain Step Calibration Register Values vs. LO Frequency

LO Frequency Range (MHz)	Step Description	Step Value (dB)	Register Value (hex)	Variable in Table 36, Table 37, and Table 39
600 to 1300	Maximum LNA Gain	24	C0	Xx
	LNA Gain difference word for Index 0	23	2E	Aa
	LNA Gain difference word for Index 1	8	10	Bb
	LNA Gain difference word for Index 2	3	6	Cc
	LNA Gain difference word for Index 3	0	0	Dd
1300 to 3300	Maximum LNA Gain	24	C0	Xx
	LNA Gain difference word for Index 0	22	2C	Aa
	LNA Gain difference word for Index 1	8	10	Bb
	LNA Gain difference word for Index 2	3	6	Cc
	LNA Gain difference word for Index 3	0	0	Dd
2700 to 4100	Maximum LNA Gain	23	B8	Xx
	LNA Gain difference word for Index 0	22	2C	Aa
	LNA Gain difference word for Index 1	8	10	Bb
	LNA Gain difference word for Index 2	3	6	Cc
	LNA Gain difference word for Index 3	0	0	Dd
4000 to 6000	Maximum LNA Gain	20	A0	Xx
	LNA Gain difference word for Index 0	18	24	Aa
	LNA Gain difference word for Index 1	8	10	Bb
	LNA Gain difference word for Index 2	3	6	Cc
	LNA Gain difference word for Index 3	0	0	Dd

4. Program the directly-addressable register values as shown in Table 36.

Table 36. Configure LNA Gain Step Parameters

Line Number	Command	Addr/Data	Comment
1	SPIWrite	145,0F	//Set maximum mixer gain index (always 0x0F)
2	SPIWrite	148,0E	//Maximum measurement time
3	SPIWrite	147,3F	//Maximum settling time
4	SPIWrite	158,0D	//Default RSSI measurement mode
5	SPIWrite	150,0E	//Maximum RSSI measurement time
6	SPIWrite	15D,xx	//Maximum LNA Gain (from Table 35)

- Program the LNA gain step words into the internal table.

Table 37. Programming the LNA Gain Steps into the Internal Table

Command	Addr/Data	Comment
SPIWrite	143,61	//Write R1 and R2 internal LNA tables & start clock
SPIWrite	140,00	//LNA index
SPIWrite	141,aa	//LNA gain step from Table 35
SPIWrite	143,63	//Write data
WAIT	3us	//Wait for data to fully write to internal table
SPIWrite	140,01	//LNA index
SPIWrite	141,bb	//LNA gain step from Table 35
SPIWrite	143,63	//Write data
WAIT	3us	//Wait for data to fully write to internal table
SPIWrite	140,02	//LNA index
SPIWrite	141,cc	//LNA gain step from Table 35
SPIWrite	143,63	//Write data
WAIT	3us	//Wait for data to fully write to internal table
SPIWrite	140,03	//LNA index
SPIWrite	141,dd	//LNA gain step from Table 35
SPIWrite	143,63	//Write data
WAIT	3us	//Wait for data to fully write to internal table
SPIWrite	143,01	//Clear write bit
SPIWrite	143,00	//Stop clock

- Turn on the external single tone at the amplitude determined previously and inject it into Rx1.
- Run the calibration by setting 0x016[D3].
- The calibration completes when 0x016[D3] clears.
- Read the LNA and Mixer error terms as shown in Table 38 into nonvolatile memory.

Table 38. Reading Gain Step Error Words from the AD9361

Line Number	Command	Addr/Data	Comment
1	SPIWrite	143,30	//Setup to read LNA error words from Rx1
2	SPIWrite	140,00	//Set LNA index address to 0
3	SPIRead	142	//Read LNA error for index 0. Store in non-volatile table
4	Repeat Step 2 and Step 3 for 3 remaining LNA indices		
5	SPIWrite	143,20	//Setup to read Mixer Error Words from Rx1
6	SPIWrite	140,00	//Set Mixer Index address to 0
7	SPIRead	142	//Read Mixer error for index 0. Store in non-volatile table
8	Repeat Step 6 and Step 7 for 14 remaining Mixer indices		
9	SPIWrite	143,00	//Put calibration register back to default

Programming Gain Step Errors in the Field

During initialization (while the transceiver is in the Alert or Wait states), program the two configuration registers as shown in Table 39 (again, “xx” is the value from Table 35).

Table 39. Config Registers

Line Number	Command	Addr/Data	Comment
1	SPIWrite	145,0F	//Set maximum mixer gain index (always 0x0F)
2	SPIWrite	15D,xx	//Maximum LNA Gain (from Table 35)

Program the indirectly-addressable LNA gain difference words exactly as done in Step 5. Finally, program the error words back into the AD9361 as described in Table 40.

In the processes and scripts shown previously, Rx1 is calibrated and then the error word results are programmed into Rx1 and Rx2. The resulting RSSI errors are expected to be within approximately 0.5 dB for Rx2 when using Rx1 error words. For maximum accuracy, each receiver should be calibrated independently with error words saved to nonvolatile memory for each receiver. When programming in the field, the words would be programmed into the internal tables for each receiver separately.

Table 40. Programming Gain Step Errors into the AD9361 in the Field

Line Number	Command	Addr/Data	Comment
1	SPIWrite	143,61	//Setup to write both Rx1 and Rx2 and start clock
2	SPIWrite	140,00	//Set LNA index address to 0
3	SPIWrite	141,ff	//Write LNA index 0 error word from non-volatile memory
4	SPIWrite	143,65	//Write data into address 0
5	Repeat Step 2 to Step 4 for 3 remaining LNA indices		
6	SPIWrite	143,61	//Setup to write both Rx1 and Rx2 and start clock
7	SPIWrite	140,00	//Set Mixer Index address to 0
8	SPIWrite	141,gg	//Write Mixer index 0 error word from non-volatile memory
9	SPIWrite	143,69	//Write data into address 0
10	Repeat Step 7 to Step 9 for 14 remaining Mixer indices		
11	SPIWrite	143,00	//Stop clock

TRANSMIT POWER CONTROL

OVERVIEW

The [AD9361](#) transceiver uses an accurate and efficient method of transmit power control (TPC) that involves a minimum of interaction with the BBP. This section shows how to setup the registers for the various modes and how to use transmit power control during normal operation.

Tx ATTENUATION WORDS

A single 9-bit word controls the attenuation of a particular transmitter path. The internal lookup table is 360(d) entries deep and the overall transmit path attenuation step size is 0.25 dB/LSB across the entire table. An attenuation word of zero results in 0 dB of attenuation. The value of 359(d) results in an overall attenuation of 89.75 dB. The lookup table is hard-coded in the [AD9361](#) and it not programmable.

ATTENUATION WORD UPDATE OPTIONS

The BBP can write attenuation words at any time using the `ad9361_set_tx_attenuation` function. There are two choices for when the new attenuation word is implemented. The default mode will implement the attenuation as soon as the function is executed. The other option is to write the new attenuation word, but require the [AD9361](#) go through an alert cycle before the word is implemented.

Additionally, setting the Sel Tx1 and Tx2 bit causes the [AD9361](#) to use the Tx1 attenuation word for both transmitters. The bit is normally cleared.

Tx POWER MONITOR

OVERVIEW

This section describes the Tx power monitor (TPM) circuit operation and features. TPM is available in TDD mode only because it uses the inactive receiver to perform power measurements during transmit. This feature is very useful as a transmit power detector with over 66 dB of linear dynamic range (the linear range can be extended to more than 80 dB as shown later in this section). The AD9361 has two TPM inputs, TX_MON1 (Pin M5) and TX_MON2 (Pin A5). The maximum input signal level is +4 dBm CW referenced to 50 Ω. If the inputs are not being used, tie them to ground.

This section explains in detail how to set up transmit control registers and how to use transmit power control (TPC) in normal operation.

Tx POWER MONITOR DESCRIPTION

One of the many features that the AD9361 contains is the ability to accurately measure the level of a received signal resulting in an receiver signal strength indicator (RSSI) reading available to the system. Recognizing that in TDD systems the receiver and

transmitter are not operating simultaneously, the AD9361 provides the ability to reuse the receiver circuitry by multiplexing the power detector into the receive path. The receiver RSSI circuitry is then turned on during the transmit burst and results in accurate Tx RSSI measurements. Refer to Figure 28 for a TPM circuit block diagram in a typical TDD system diagram.

Since the Tx signal is high level (with respect to a Rx signal), it is multiplexed into the receiver chain after the LNA. The receiver circuitry reuses results in an accurate, wide dynamic range measurement utilizing the existing otherwise idle circuitry. The measurement is an RMS level that has a configurable time measurement window and returns results in TxRSSI units with 0.25 dB/LSB resolution in -dBFS units over a more than 66 dB of detector dynamic range. The measurement starts as the device is moved into Tx mode by the enable state machine. The measurement can be performed once after the enable state machine (ENSM) enters the Tx state or the measurement can be done continuously until ENSM exits the Tx state.

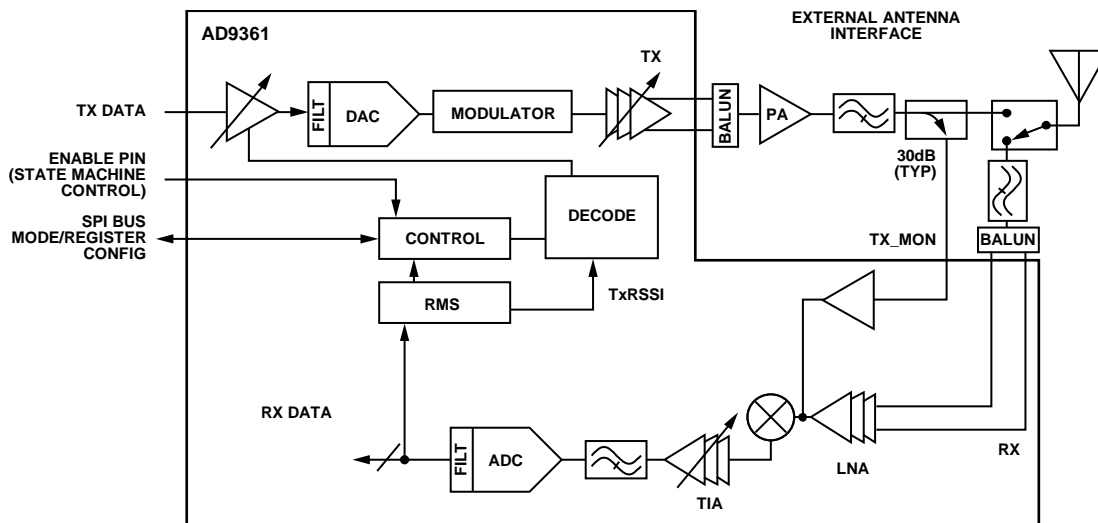


Figure 28. TPM Circuit Block Diagram

11689-029

INPUT MATCHING/ATTENUATION NETWORK

Tx_MON inputs require a matching/attenuation network to provide matching to the driving source (typically a 50 Ω coupler output) and to scale the input signal. Place matching components, R1 to R3 and C1, as close as possible to the AD9361. Tx_MON inputs are DC biased and the C1 capacitor is an ac-coupling capacitor used to ac couple Tx_MON input. R2 is a damping resistor to minimize series resonance comprised of on-chip inductance and capacitance. The best way to determine the optimum value for R2 is to empirically tune it

for desired TPM frequency response. Use proper transmission line design techniques to design the signal path (TL1) from the transmitter output coupler to the input of TPM. The higher the frequency of operation the more critical this path becomes in terms of loss and signal reflections.

Figure 30 shows a measured TPM frequency response using the matching circuit and component values in Figure 29. The frequency response was optimized for 2.3 GHz frequency of operation.

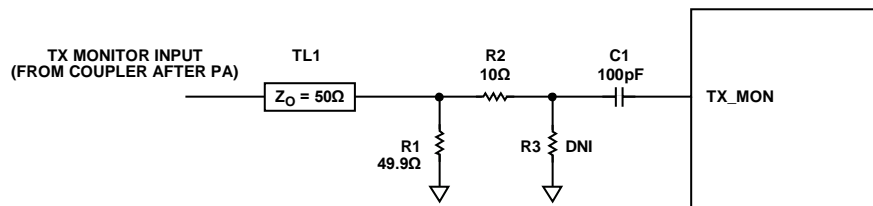


Figure 29. TPM Matching/Attenuation Input Network

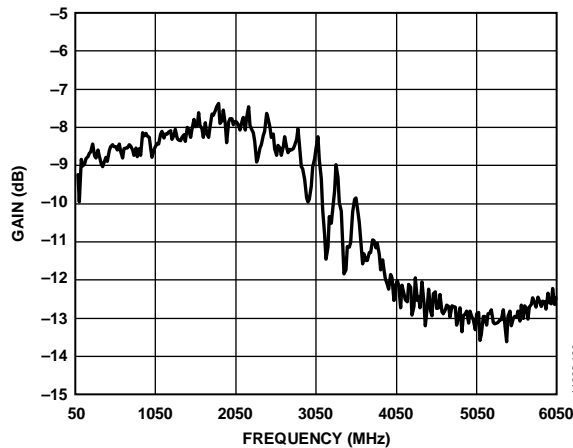


Figure 30. TPM Frequency Response

Tx POWER MONITOR GAIN CONTROL

TPM total gain comprises of two gains, front-end gain (Tx Mon Gain) and receive low pass filter gain (G_{BBF}). TPM front-end gain is set by Tx Mon 1 Config and Tx Mon 2 Config registers (Register 0x070 [D1:D0] and Register 0x071 [D1:D0], respectively). Tx Mon TIA Gain values are shown in Table 41. In addition to the two gains, Table 41 also includes minimum and maximum TPM input signal levels and associated SNR. Figure 31 shows a block diagram of the TPM signal chain. Note that the local oscillator signal used to downconvert the TPM input signal is Tx LO.

Receive low-pass filter gain, G_{BBF} , is set by register values Tx Mon Low Gain and Tx Mon High Gain (Register 0x067 [D4:D0] and Register 0x068 [D4:D0], respectively). These values set the receive low-pass filter gain index in the 0 dB to 24 dB range. TPM gain mode, low or high is determined by a threshold in Tx Atten Threshold register (Register 0x078 [D7:D0]). If the Tx Attenuation value (Register 0x073 and Register 0x074) is equal to or less than the threshold the low gain index value is used and if the value is greater than the threshold the high gain index is used in the receive path. Transimpedance amplifier (TIA) gain is automatically set high or low by the AD9361. Tx RSSI1 and Tx RSSI2 values in Register 0x06B, Register 0x06C, and Register 0x06D are compensated for gain changes.

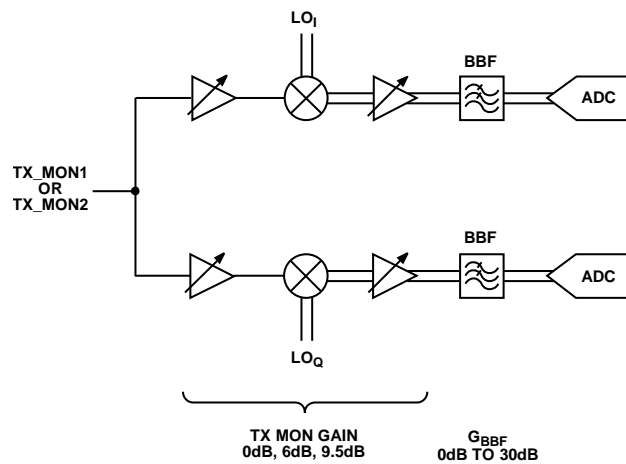


Figure 31. TPM Gain Distribution

Table 41. TPM Gain and Dynamic Range

Tx Mon TIA Gain[1:0]	Tx Mon TIA Gain (dB)	G _{BBF} (dB)	Pin _{max} (dBm)	Pin _{min} (dBm)	SNR (dB) ¹
00	Open	--	--	--	--
01	0	0	4	-62.7	67
		30	-25.7	-70.1	44
10	6	0	-2.2	-68.6	67
		30	-31.7	-75.8	44
11	9.5	0	-5.7	-72.1	66
		30	-35.2	-78.9	44

¹ Bandwidth used for SNR calculation is 10 MHz.

TPM DYNAMIC RANGE

TPM dynamic range can be maximized on the top end by minimizing total TPM gain, that is, Tx Mon gain = 0 dB and $G_{BBF} = 0$ dB. The upper range of the input signal is +4 dBm in that case (the upper range of the input signal can be increased to 9 dBm by forcing TIA feedback resistor value to 1.75 k Ω by setting Bits D6 and D7 in Register 0x1DC and Bits D0 and D2 in Register 0x1DB). Maximizing total TPM gain, that is, Tx Mon Gain = 9.5 dB and $G_{BBF} = 30$ dB minimizes the total input referred noise thereby increasing the lower range of the input signal to -78.9 dBm. The resulting total dynamic range can be as high as 82.8 dB by following the previously described gain control and making the gain switch threshold occur at -35.2 dBm input signal level.

Figure 32 shows a linear dynamic range of about 70 dB that can be achieved for three different input signal ranges with Tx Mon Gain set to 0 dB, 6 dB or 9.5 dB and $G_{BBF} = 0$ dB (see Table 41 for the input signal level ranges that correspond with these three different gain settings. This approach uses the same Tx Mon Gain and G_{BBF} gain settings across the whole attenuation range.

EXAMPLE OF TxMON CONFIGURATION AND MEASUREMENT OF TPM TRANSFER FUNCTION

The following example is based on measured results using a direct connection from the Tx1 output to the Tx Mon input on an evaluation board. The goal of the example is to show how to use the AD9361 TPM and an advanced application to extend the dynamic range of TPM. The frequency of operation was 2300 MHz and transmitted signal was a 1 MHz CW signal.

TPM can be enabled in multi-chip sync and Tx Mon Control Register 0x001 using Bits D5 and D6, and in TPM Mode Enable Register 0x06E Bits D5 and D7. The preferred way to enable TPM is to set Bits D7 and D5 in Register 0x06E. The user also needs to clear Bits D2 and D3 in Analog Power Down Override Register 0x057 because TPM is powered down by default.

To maximize SNR, the Tx Mon Track bit should be set in 0x067[D5], which minimizes DC offset in the Tx monitor signal path.

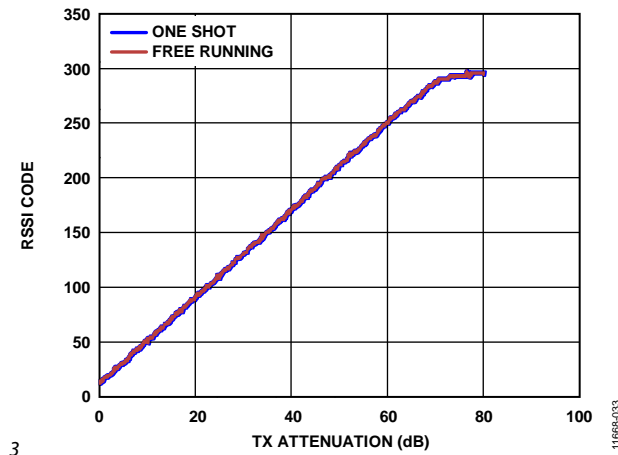


Figure 32. TPM Frequency Response

The resulting measured TPM transfer characteristics are shown in Figure 33. The dashed line is uncompensated for Tx Mon TIA gain change at the threshold and it shows a transition at 37 dB Tx attenuation (this corresponds to a threshold setting of 0x94 in Register 0x078). Below the threshold Tx Mon gain is 0 dB and G_{BBF} is 0 dB. Above the threshold Tx Mon gain is 9.5 dB and G_{BBF} is 0 dB. The compensated characteristic (solid line in Figure 33) is a gain compensated version of the dashed line. The resulting linear dynamic range is 76 dB, which is about 10 dB greater than the 66 dB dynamic range achievable with a single gain setting.

As Figure 33 shows, the TPM TIA gain is not compensated by the Tx RSSI algorithm. The 9.5 dB compensation that results in the solid line would occur in the baseband processor.

TPM TEST MODE

It is possible to output TPM I/Q data at the Rx data port in TDD mode in Tx state. This may be useful in some applications.

The Enable Rx Data Port bit for calibration (Register 0x014 Bit D7) needs to be set and TPM enable in Register 0x06E to be in this test mode.

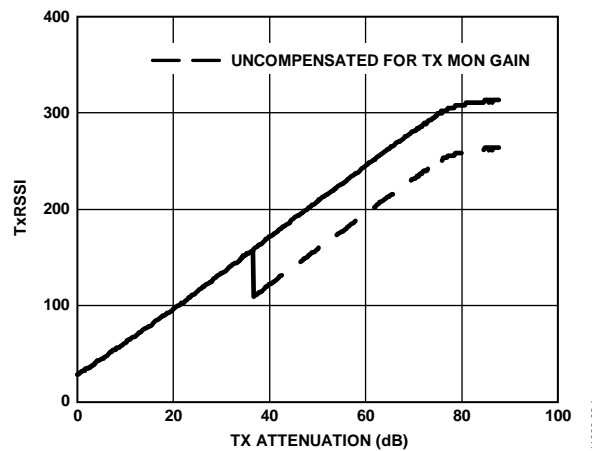


Figure 33. Tx Monitor TxRSSI vs. Tx Attenuation

RF PORT INTERFACE

OVERVIEW

The purpose of this section is to define the expected [AD9361](#) port impedance values and potential impedance matching techniques.

The [AD9361](#) has with two independent receive paths and two independent transmit paths. Each receive path has three (A, B, and C) LNA inputs and each transmit path has two (A and B) Tx outputs. The LNA inputs and Tx outputs require external impedance matching networks. The receiver LNA input ports may be utilized in either a single-ended mode or differential mode. The transmitter output ports may only be utilized in a differential mode.

It is critical to have these interfaces working properly to achieve data sheet performance levels. The main considerations are as follows:

- Rx interface type: single ended or differential?
- Device to be interfaced: such as, filter, balun, T/R switch, external LNA, external PA: Short to ground at DC?
- Rx LNA maximum (no damage) input power (+2.5 dBm Peak: single-ended: lossless match: 50 Ω source).
- Rx LNA input port DC voltage level ($\sim +0.6 V_{DC}$).
- Tx output port bias (+1.3 V_{DC} @ 75 mA per side @ maximum output power).
- Board design: such as reference-planes, transmission lines, impedance matching.

Rx SIGNAL PATH INTERFACE

The AD9361 LNA devices (1A, 1B, 1C, 2A, 2B, 2C) are functional for the full 70 MHz to 6.0 GHz receive frequency range. When operating at or below 3 GHz, any LNA input port will provide optimal performance. When operating above 3 GHz, utilize the Rx1A and Rx2A LNA input ports for optimal performance. All three LNAs provide differential inputs that can also be configured as single-ended inputs (either side of the differential input can be used as a single ended input). It is recommended to configure the LNA inputs in differential mode to achieve best noise figure and even order distortion (IP2) performance. The LNA input pins have DC bias (~ 0.6 V_{dc}) present on them and may need to be ac-coupled depending on the common-mode voltage level of the external circuit. The maximum safe input level is +2.5 dBm peak (single-ended, ideal match, 50 Ω source). Figure 34 shows basic single ended and differential interface configurations. Note that matching networks will most likely be required to achieve optimum performance.

Given a single-ended operation mode, a positive side connection is delineated by the _P at the end of the Rx input port name and a negative side connection is delineated by the _N at the end of the Rx input port name.

The Rx differential input impedance varies over frequency and is shown in Figure 38 through Figure 47. The reference plane for this data is the AD9361 ball pads.

Note that Z_o within the graph marker sections is 50 Ω.

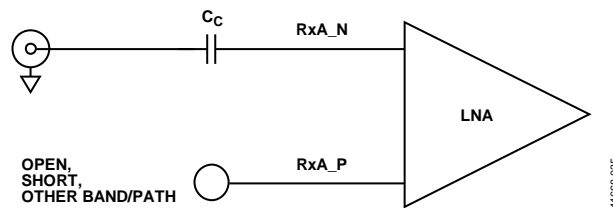


Figure 34. AD9361 Rx Input Interface Circuit—Single-Ended Interface to the Negative Side of the Differential Input

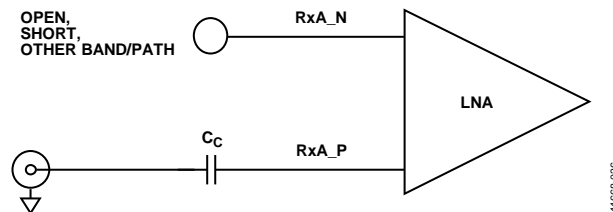


Figure 35. AD9361 Rx Input Interface Circuits—Single-Ended Interface to the Positive Side of the Differential Input

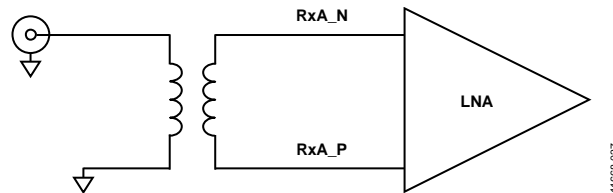


Figure 36. AD9361 Rx Input Interface Circuits—Differential Interface Using a Transformer

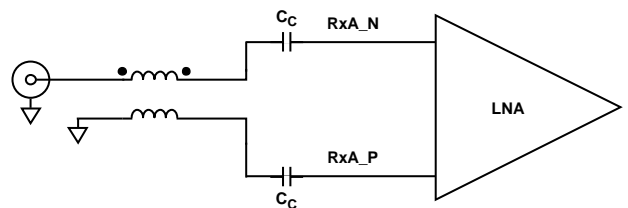


Figure 37. AD9361 Rx Input Interface Circuits—Differential Interface Using a Transmission Line Balun

Rx1A AND Rx2A SERIES EQUIVALENT DIFFERENTIAL IMPEDANCE Rx1A AND Rx2A SERIES EQUIVALENT DIFFERENTIAL IMPEDANCE

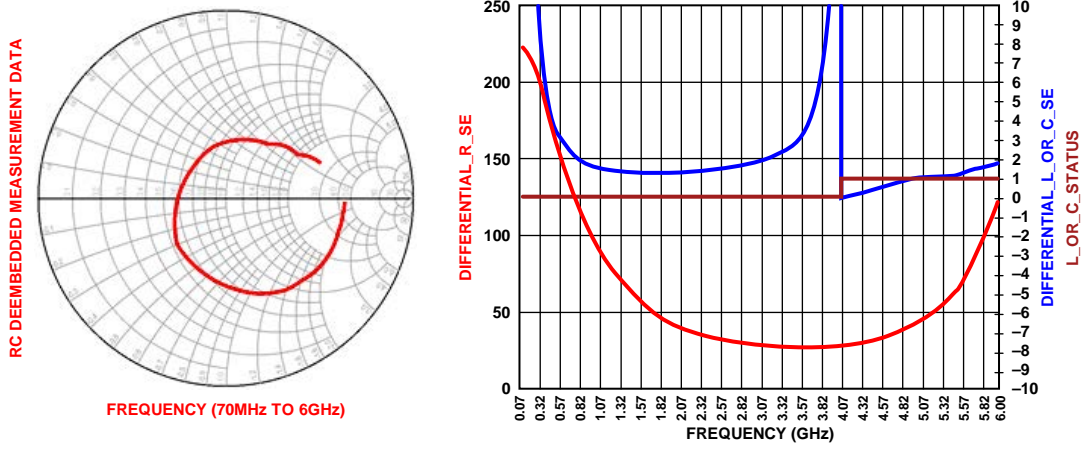


Figure 38. AD9361 Rx1A and Rx2A Input Differential Impedance

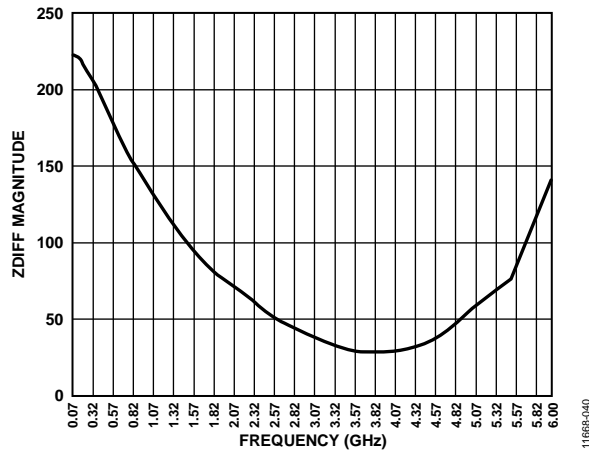
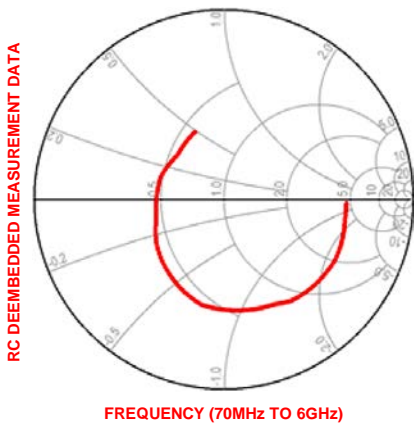
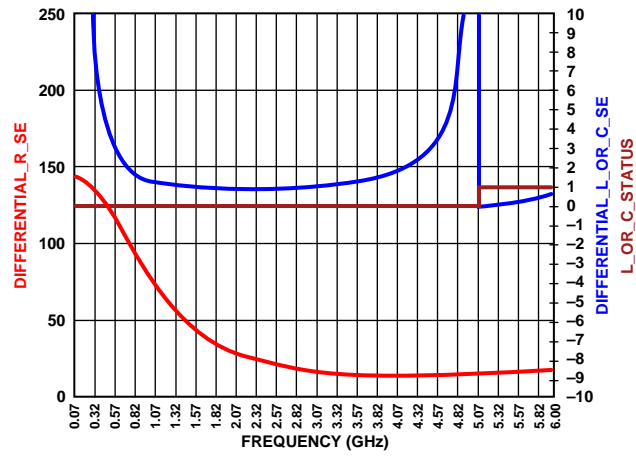


Figure 39. AD9361 Rx1A and Rx2A Input Differential Impedance Magnitude

Rx1B SERIES EQUIVALENT DIFFERENTIAL IMPEDANCE



Rx1B SERIES EQUIVALENT DIFFERENTIAL IMPEDANCE



11668-041

Figure 40. AD9361 Rx1B Input Differential Impedance

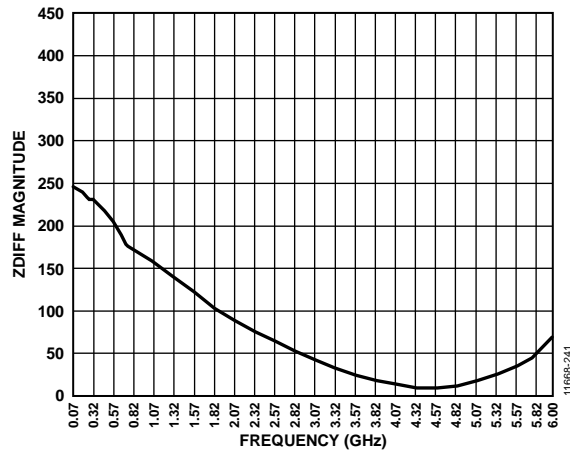
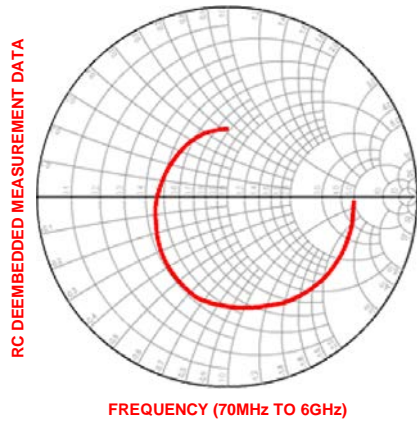


Figure 41. AD9361 Rx1B Input Differential Impedance Magnitude

Rx1C SERIES EQUIVALENT DIFFERENTIAL IMPEDANCE



Rx1C SERIES EQUIVALENT DIFFERENTIAL IMPEDANCE

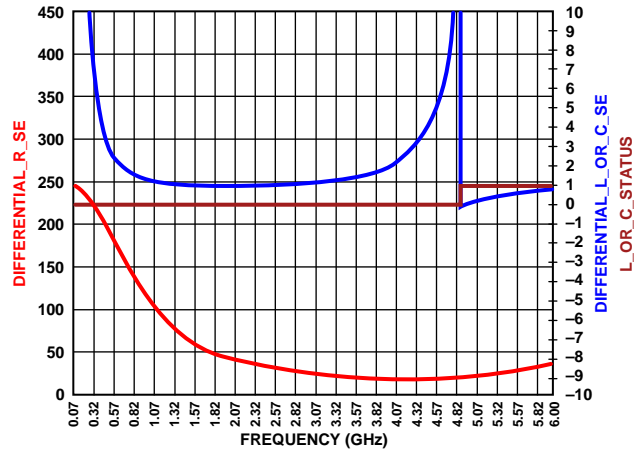


Figure 42. AD9361 Rx1C Input Differential Impedance

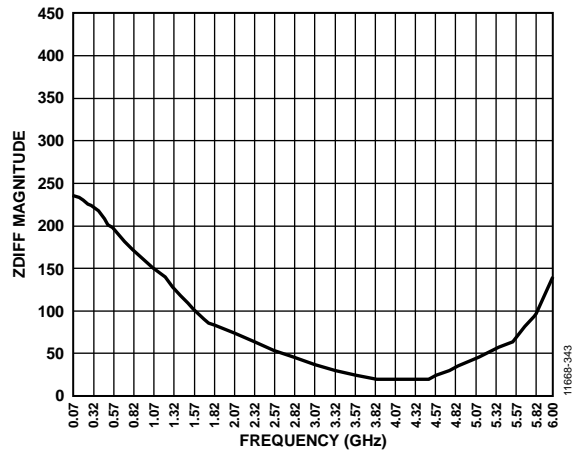
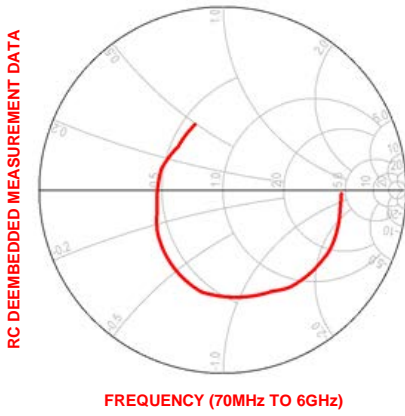
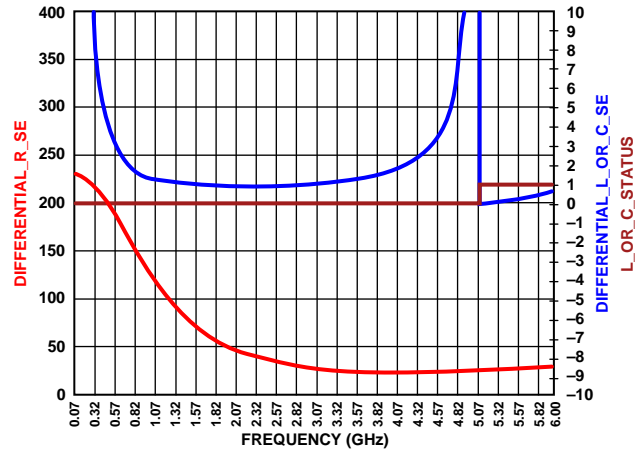


Figure 43. AD9361 Rx1C Input Differential Impedance Magnitude

Rx2B SERIES EQUIVALENT DIFFERENTIAL IMPEDANCE

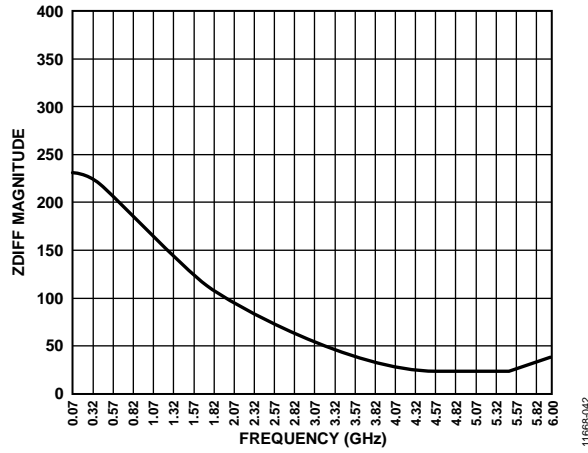


Rx2B SERIES EQUIVALENT DIFFERENTIAL IMPEDANCE



11668-243

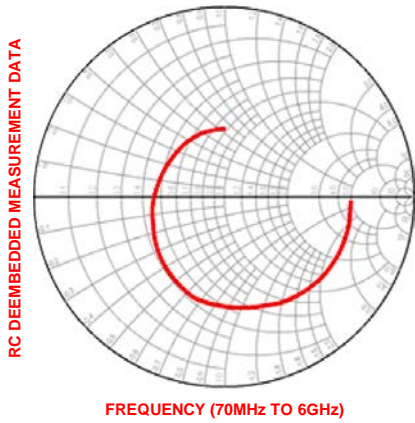
Figure 44. AD9361 Rx2B Input Differential Impedance



11668-042

Figure 45. AD9361 Rx2B Input Differential Impedance Magnitude

Rx2C SERIES EQUIVALENT DIFFERENTIAL IMPEDANCE



Rx2C SERIES EQUIVALENT DIFFERENTIAL IMPEDANCE

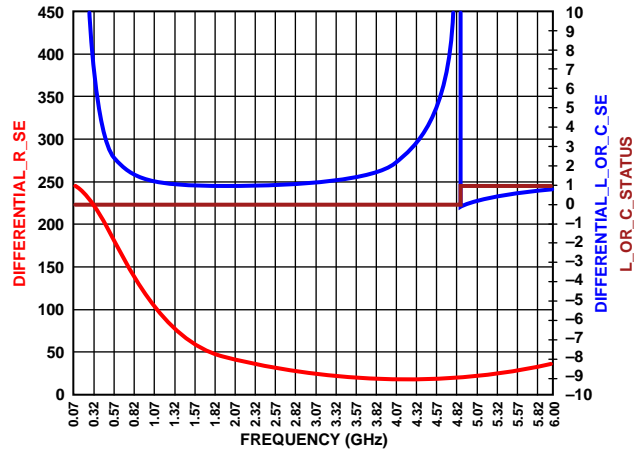


Figure 46. AD9361 Rx2C Input Differential Impedance

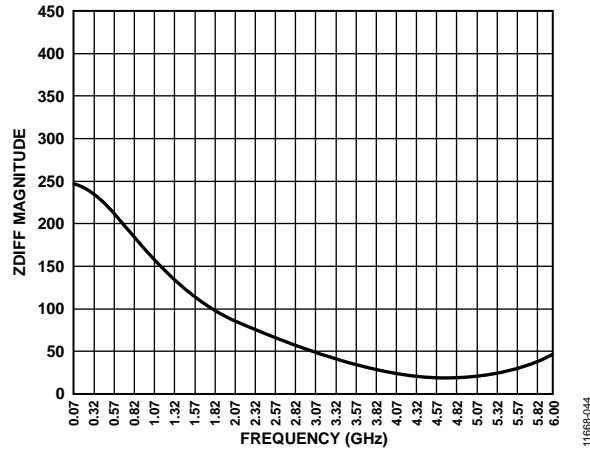


Figure 47. AD9361 Rx2C Input Differential Impedance Magnitude

From a design flexibility viewpoint, the following Rx path impedance matching strategy is preferred.

- Place a differential matching network between the balun/filter and the LNA input port.
- Place a single-ended matching network on the balun/filter input port.

The best matching network topology is application dependent. The examples within this section are simpler narrow-band cases. As the matching bandwidth increases, the required number of matching sections increases.

The LNA input ports have a DC voltage on them. A short to ground at DC is to be avoided. Figure 48 defines the general purpose matching topology.

The balun/filter single-ended port is impedance matched with a simple PII network. The balun/filter differential port is impedance matched with either a DC-blocked differential PII network or a DC-blocked differential T network.

The DC-blocked differential T network is represented by the smaller box in Figure 48. The DC-blocked differential PII network is represented by the larger box in Figure 48.

The main advantages of the DC-blocked differential PII network topology are a relatively wide impedance matching bandwidth (up to 830 MHz) and Impedance Matching Topology selection flexibility. The main disadvantage is a higher number of SMD components.

The main advantage of the DC-blocked differential T network topology is a lower SMD component count. The main disadvantage is the impedance matching bandwidth may be up to 5% smaller than the DC-blocked differential PII topology.

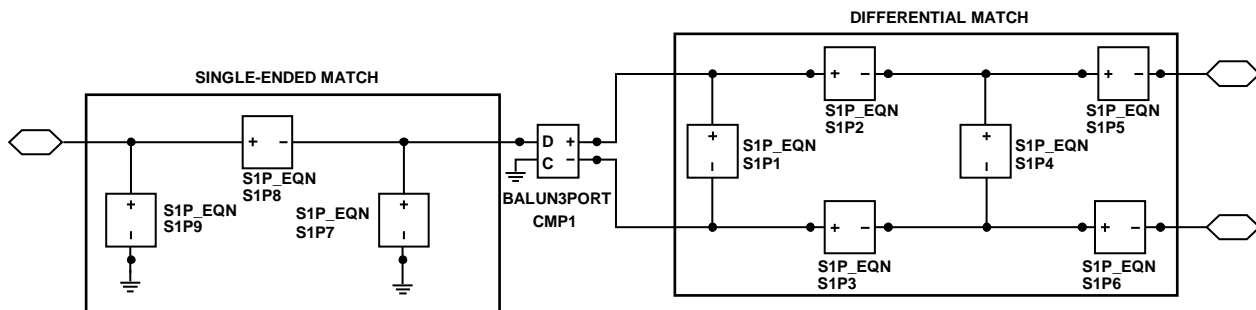


Figure 48. AD9361 Rx Input General Purpose Impedance Matching Topology

11688-049

Tx SIGNAL PATH INTERFACE

The AD9361 transmit path covers a full 70 MHz to 6.0 GHz transmit frequency range and the 2 Tx outputs exhibit similar performance. The Tx outputs are differential and require an external output bias. These outputs need to be biased to 1.3 V DC supply voltage (nominal) using either chokes (wire-wound inductors) or a transformer center tap connection. Each side of the differential output draws ≈ 75 mA of DC bias current at full output power. It is important to select components with low DC resistance (R_{DCR}) to minimize voltage drop ΔV across the series parasitic resistance element (see the red resistor symbol in Figure 49). As the ΔV voltage drop increases, the Tx buffer RF performance (OP1dB, max output power) degrades. Choke inductance (L_C) should be selected such that the choke impedance is high enough relative to the load impedance so that it does not affect the frequency response. The Tx outputs will have to be ac-coupled in most applications due to the presence of 1.3 V DC supply bias voltage. The approach in Figure 50 is preferred because there are fewer parasitics and the component count is lower.

The Tx differential output port is a medium signal device. Therefore, impedance matching is based on load-pull techniques. Very similar to a PA (power amplifier). The goal is to provide a Tx output differential load impedance that represents the best compromise between the maximum output power delivered and the highest possible third-order linearity (OIP3).

Load-pull based impedance matching is very simple. The focus is on developing the preferred load impedance at the Tx output ball pads. This matching technique is quite different from the small-signal techniques utilized for the Rx input.

- Load-pull: Design the matching network for the preferred Load impedance at the Tx output pads.
- Small-signal: Design the matching network for maximum power transfer (TG: transducer gain).

Based on present load-pull data, the preferred Tx output differential load impedance is 50 Ω .

- The reference plane is the Tx output ball pads.
- The fundamental power is inversely proportional to the real part of the load impedance.
- The OIP3 is inversely proportional to the real part of the load impedance.
- The OIP3 is higher for capacitive loads as compared to inductive loads. If residual impedance matching errors exist, it is better to error with a capacitive termination as opposed to an Inductive termination.

Figure 51 to Figure 54 show the basic differential Tx output interface configurations. Note that matching networks (balun single-ended port) will most likely be required to achieve optimum performance.

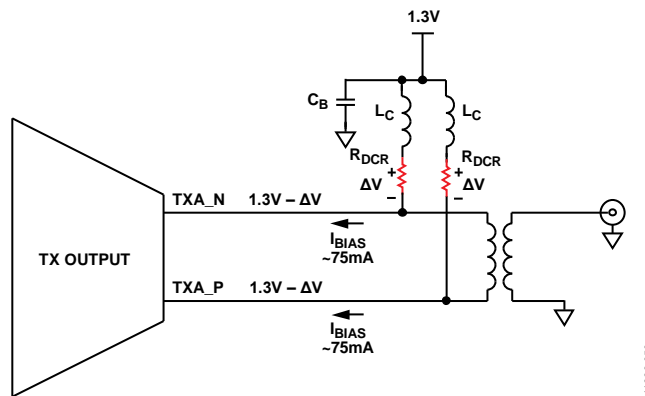


Figure 49. AD9361 Tx Output DC Biasing Using Chokes

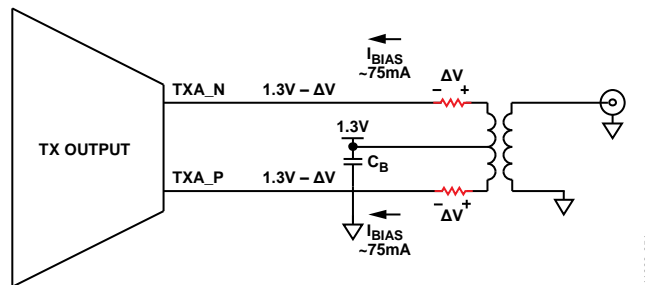
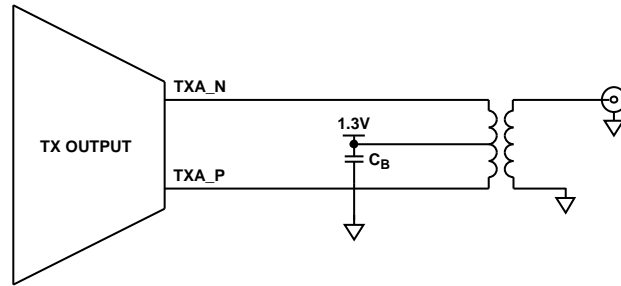
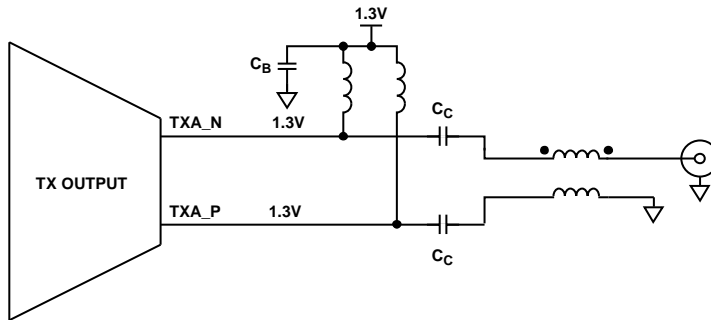


Figure 50. AD9361 Tx Output DC Biasing Using Center Tapped Transformer



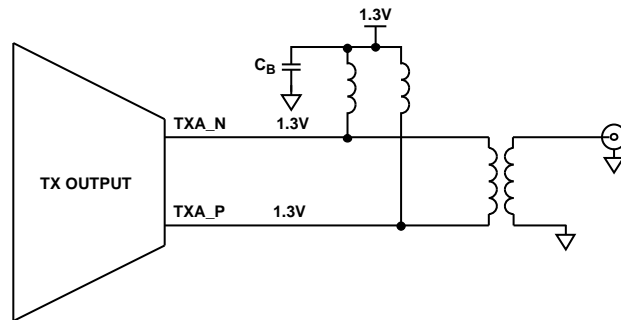
11668-052

Figure 51. AD9361 Tx Output Differential Interface Configurations



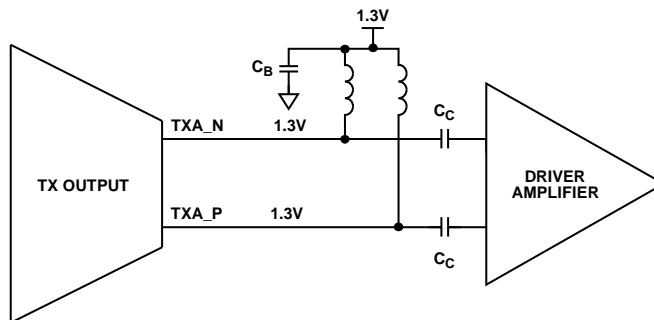
11668-053

Figure 52. AD9361 Tx Output Differential Interface Configurations



11668-054

Figure 53. AD9361 Tx Output Differential Interface Configurations



11668-055

Figure 54. AD9361 Tx Output Differential Interface Configurations

FACTORY CALIBRATIONS

OVERVIEW

Factory calibrations are necessary to limit the amount of variation seen across a large quantity of circuit boards. Some calibrations are used to increase the accuracy of the [AD9361](#) device, while others are needed to calibrate non-linearities of external components in the RF front-end. The factory calibrations described in Table 42 are suggested calibrations. The number of calibration points for a specific design is dependent on the temperature stability and linearity of the RF components. The actual factory calibrations necessary might vary from Table 42 depending on the accuracy and performance of the desired system.

Table 42. Suggested Factory Calibrations

#	Factory Calibration
1	Internal DCXO (AFC tune range)
2	Tx RSSI (Tx monitor)
3	Rx RSSI
4	Rx GM/LNA gain step error
5	Tx power out vs. Tx attenuation
6	Tx power out vs. frequency

INTERNAL DCXO

If using an external clock into the REF_CLK_IN pin, ignore this calibration.

The [AD9361](#) device can use a crystal oscillator (XO) to clock the chip. In this mode, the [AD9361](#) has an internal DCXO (digitally control oscillator) that can pull the XO frequency. This is necessary to cancel out carrier frequency offset and Doppler shift due to mobility. Carrier frequency offset can also occur due to the XO changing temperature.

The DCXO tune registers consist of a coarse tune value and a fine tune value. During factory calibration, the coarse tune setting should be found such that the fine tune range is centered evenly around the desired XO frequency. This would ensure the widest usable DCXO range.

If necessary by the system, the factory calibration could also sweep the DCXO fine tune codes to produce a LUT of frequency error vs. fine tune code to allow quick updates of the XO tuning. The temperature sensor could also be read to aid in correcting for the frequency variation across temperature of the XO.

Tx RSSI (Tx MONITOR)

If the power detector is used, at minimum, a single point Tx RSSI measurement must be made to correlate the absolute output power after the PA to the Tx RSSI value reported by the [AD9361](#) device. Typically, a coupler is used to sample the power after the PA back into the Tx monitor input of the [AD9361](#) device. During this measurement, transmit a typical burst. A signal with constant power (such as a preamble) would give the most accurate results. Once a single point measurement has been measured, the Tx RSSI for other Tx power out levels can be calculated with the assumption that the assumption that the Tx path is linear, the power detector path is linear and all external RF components in the path are operating in their linear regions. If the system requires a higher precision of power control, multiple points across the [AD9361](#) Tx attenuation range and carrier frequency range can be measured during this factory calibration to generate a matrix of Tx RSSI correction values.

The factory calibration should be completed using the corresponding transmitter on the [AD9361](#) device to transmit a known reference signal while the Tx RSSI is read across the SPI port for each desired output power point. Refer to the Tx Power Monitor section for detailed information on this process and the different power control modes.

Rx RSSI

The receive signal strength indicator (RSSI) measurement occurs after the Rx gain is set (manual gain)/frozen(AGC). For the power measurement to be meaningful to the BBP, the RSSI code must be related to an absolute Rx input level (dBm) during factory calibration. Depending on the RSSI accuracy desired, this calibration can be a signal point calibration at a single frequency and input power level, or can consist of a matrix of frequencies and input power levels. The calibration signal should be a typical burst of the associated standard. For each receiver, there are two different RSSI read back registers. One register stores the first power measurement (RSSI preamble). The second register updates the power measurement at the symbol rate (RSSI Symbol). If a calibration signal has a preamble or symbol with constant power, the RSSI will be more accurate and repeatable. For more details, see the Received Signal Strength Indicator (RSSI) section. The function `ad9361_rssi_setup` configures the RSSI measurement. The [AD9361](#) automatically takes into account the Rx gain step used and factors it into the RSSI value. For improved RSSI accuracy over frequency, run the Rx GM/LNA gain step calibration before the RSSI factory calibration.

Rx GM/LNA GAIN STEP CALIBRATION

The gain of the LNA and mixer stages inside the [AD9361](#) varies over temperature and frequency. This calibration is a onetime factory calibration that measures the gain step error for the LNA and mixer to reduce the error of the Rx RSSI measurement. In the field, the BBP would write the error-corrected expected gain steps into the [AD9361](#) for the current frequency used. This process will improve Rx RSSI accuracy and linearity. Complete this procedure before calibrating the Rx RSSI. The Rx GM/LNA gain step calibration is only necessary if using the Rx RSSI feature, and more detail on this calibration can be found in the Received Signal Strength Indicator (RSSI) section.

Tx POWER OUT VS. Tx ATTENUATION AND Tx POWER OUT VS. CARRIER FREQUENCY

A factory calibration should be completed such that the output power of the system is known. Depending on the linearity of the RF components chosen, a single point calibration may be sufficient. If higher accuracy is desired, a matrix of carrier frequencies and [AD9361](#) Tx attenuation points may be evaluated to measure the Tx power output. This factory calibration would prevent the output power from exceeding regulatory limits. This calibration should also check for transmit mask compliance and transmit emission limits (ACLR).

CONTROL OUTPUT

OVERVIEW

The [AD9361](#) provides real-time status information on up to eight dedicated pins. Information such as when calibrations are running and the state of the overload detectors in the receive signal path are just a few of the many options available. This section describes the signals and their behavior in detail while also showing how to program the registers so that the desired signals are available on the appropriate balls. This section also provides some information about how a BBP could use the signals in an application. The control outputs are configured using the `ad9361_ctrl_outs_setup` function.

As shown in Table 44, the control output signals are mapped as a table. The Control Output Pointer selects the row (address) that will be sent to the output pins. And the bits in Control Output Enable individually select which output pins will be active. The [AD9361](#) will hold low any pins not enabled.

Some internal signals are available on more than one combination of Control Output Pointer and Control Output Enable. For example, to enable a control output that indicates that the Rx1 gain has changed, the Control Output Pointer

register could be set to 0x08 and the Control Output Enable register would then be set to 0x10. The same signal is also available by setting Control Output Pointer to 0x05 and Control Output Enable to 0x40 or alternatively with Control Output Pointer set to 0x1E and Control Output Enable set to 0x04. Any one of these options is valid. The BBP can only monitor the signals in one row at a time because Register Control Output Pointer can only have a single value loaded at any given time. Thus, selecting one over the other depends on which other signals the BBP needs to monitor simultaneously. From the example, if the BBP also needs to know when the AuxADC word is valid, only the option of setting Control Output Pointer to 0x1E will allow this combination of the two signals. In this case, Control Output Enable would need to be set to 0x05. The BBP can also set more of the bits in Control Output Enable even if it does not monitor those signals.

Some of the signals are helpful in a production system while some others are useful for debug. In either case, Analog Devices recommends connecting the [AD9361](#) control outputs to BBP inputs on the BBP so that the BBP can monitor real-time conditions in the [AD9361](#).

Table 43. Control Output Bit Descriptions

Register Address	Name	D7	D6	D5	D4	D3	D2	D1	D0	Default	R/W
0x035	Control Output Pointer	Control Output Pointer[7:0]								0x00	R/W
0x036	Control Output Enable	En ctrl7	En ctrl6	En ctrl5	En ctrl4	En ctrl3	En ctrl2	En ctrl1	En ctrl0	FF	R/W

Table 44. Control Output Table

Register Address	Control Output Bit Position							
	D7	D6	D5	D4	D3	D2	D1	D0
00	Cal Done	Tx CP Cal Done	Rx CP Cal Done	Rx BB Filter Tuning Done	Tx BB Filter Tuning Done	Gain Step Cal Busy	Rx Synth VCO Cal Busy	Tx Synth VCO Cal Busy
01	Tx RF PLL Lock	Rx RF PLL Lock	BBPLL Lock	0	0	0	0	0
02	BB DC Cal Busy	RF DC Cal Busy	CH1 Rx Quad Cal Busy	CH1 Tx Quad Cal Busy	CH2 Rx Quad Cal Busy	CH2 Tx Quad Cal Busy	Gain Step Cal Busy	Tx Mon Cal Busy
03	CH1 ADC Low Power	CH1 Lg LMT Ovrgr	CH1 Lg ADC Ovrgr	CH1 Sm ADC Ovrgr	CH2 Low Power	CH2 Lg LMT Ovrgr	CH2 Lg ADC Ovrgr	CH2 Sm ADC Ovrgr
04	CH 2 Rx Gain[6]	CH2 Rx Gain[5]	CH2 Rx Gain[4]	CH2 Rx Gain[3]	CH2 Rx Gain[2]	CH2 Lg LMT Ovrgr	CH2 Lg ADC Ovrgr	CH2 Gain Lock
05	CH2 Gain Change	CH1 Gain Change	CH2 Low Power	CH2 Lg LMT Ovrgr	CH2 Lg ADC Ovrgr	CH2 Gain Lock	CH2 Energy Lost	CH2 Stronger Signal
06	CH1 Low Power	CH1 Lg LMT Ovrgr	CH1 Lg ADC Ovrgr	CH1 Rx Gain[6]	CH1 Rx Gain[5]	CH1 Rx Gain[4]	CH1 Rx Gain[3]	CH1 Rx Gain[2]
07	CH1 Low Power	CH1 Lg LMT Ovrgr	CH1 Lg ADC Ovrgr	CH1 Sm ADC Ovrgr	CH1 AGC SM[2]	CH1 AGC SM[1]	CH1 AGC SM[0]	CH1 Gain Lock
08	CH1 Stronger Signal	CH1 Gain Lock	CH1 Energy Lost	CH1 Gain Change	CH2 Stronger Signal	CH2 Gain Lock	CH2 Energy Lost	CH2 Gain Change
09	RxOn	CH1 RSSI Preamble Ready	CH1 RSSI Symbol Ready	TxOn	CH2 RSSI Preamble Ready	CH2 RSSI Symbol Ready		
0A	CH1 Tx Int3 Overflow	CH1 Tx HB3 Overflow	CH1 Tx HB2 Overflow	CH1 Tx QEC Overflow	CH1 Tx HB1 Overflow	CH1 Tx FIR Overflow	CH1 Rx FIR Overflow	
0B	Cal Seq State[3]	Cal Seq State [2]	Cal Seq State [1]	Cal Seq State [0]	ENSM[3]	ENSM[2]	ENSM[1]	ENSM[0]

Register 0x035	Control Output Bit Position							
	D7	D6	D5	D4	D3	D2	D1	D0
0C	CH1 Energy Lost	CH1 Reset Peak Detect	CH2 Energy Lost	CH2 Reset Peak Detect	Gain Freeze	CH1 Digital Sat	CH2 Digital Sat	
0D	CH1 Tx Quad Cal Status[1]	CH1 Tx Quad Cal Status[0]	CH1 Tx Quad Cal Done	RF DC Cal Busy	CH2 Tx Quad Cal Status[1]	CH2 Tx Quad Cal Status[0]	CH2 Tx Quad Cal Done	
0E				BB DC Cal Busy				
0F	CH1 AGC State[2]	CH1 AGC State[1]	CH1 AGC State[0]	CH1 Reset Peak Detect	CH2 Reset Peak Detect	CH1 RF DC Cal State[1]	CH1 RF DC Cal State[0]	
10	CH2 AGC State[2]	CH2 AGC State[1]	CH2 AGC State[0]	CH2 Enable RSSI	CH1 Enable RSSI	CH2 RF DC Cal State[1]	CH2 RF DC Cal State[0]	
11	AuxADC Output[11]	AuxADC Output[10]	AuxADC Output[9]	AuxADC Output[8]	AuxADC Output[7]	AuxADC Output[6]	AuxADC Output[5]	AuxADC Output[4]
12	CH1 Filter Power Ready	CH1 Gain Lock	CH1 Energy Lost	CH1 Stronger Signal	CH1 ADC Power Ready	CH1 AGC State[2]	CH1 AGC State[1]	CH1 AGC State[0]
13	CH2 Filter Power Ready	CH2 Gain Lock	CH2 Energy Lost	CH2 Stronger Signal	CH2 ADC Power Ready	CH2 AGC State[2]	CH2 AGC State[1]	CH2 AGC State[0]
14	CH2 Tx Int3 Overflow	CH2 Tx HB3 Overflow	CH2 Tx HB2 Overflow	CH2 Tx QEC Overflow	CH2 Tx HB1 Overflow	CH2 Tx FIR Overflow	CH2 Rx FIR Overflow	0
15	CH1 SOI Present	CH1 Update DCRF	CH1 Measure DCRF	CH1 DC Track Count Reached	0	0	0	0
16	CH1 Gain Lock	CH1 Rx Gain[6]	CH1 Rx Gain[5]	CH1 Rx Gain[4]	CH1 Rx Gain[3]	CH1 Rx Gain[2]	CH1 Rx Gain[1]	CH1 Rx Gain[0]
17	CH2 Gain Lock	CH2 Rx Gain[6]	CH2 Rx Gain[5]	CH2 Rx Gain[4]	CH2 Rx Gain[3]	CH2 Rx Gain[2]	CH2 Rx Gain[1]	CH2 Rx Gain[0]
18	CH2 SOI Present	CH2 Update DCRF	CH2 Measure DCRF	CH2 DC Track Count Reached	CH2Enable Dec Pwr	CH2 Enable ADC Pwr	CH1 Enable Dec Pwr	CH1 Enable ADC Pwr
19	Rx Syn Cp Cal[3]	Rx Syn Cp Cal[2]	Rx Syn Cp Cal[1]	Rx Syn Cp Cal[0]	Tx Syn Cp Cal[3]	Tx Syn Cp Cal[2]	Tx Syn Cp Cal[1]	Tx Syn Cp Cal[0]
1A	Rx Syn VCO Tuning[8]	Rx Synth VCO ALC[6]	Rx Synth VCO ALC[5]	Rx Synth VCO ALC[4]	Rx Synth VCO ALC[3]	Rx Synth VCO ALC[2]	Rx Synth VCO ALC[1]	Rx Synth VCO ALC[0]
1B	Tx Syn VCO Tuning[8]	Tx Synth VCO ALC[6]	Tx Synth VCO ALC[5]	Tx Synth VCO ALC[4]	Tx Synth VCO ALC[3]	Tx Synth VCO ALC[2]	Tx Synth VCO ALC[1]	Tx Synth VCO ALC[0]
1C	Rx Syn VCO Tuning[7]	Rx Syn VCO Tuning[6]	Rx Syn VCO Tuning[5]	Rx Syn VCO Tuning[4]	Rx Syn VCO Tuning[3]	Rx Syn VCO Tuning[2]	Rx Syn VCO Tuning[1]	Rx Syn VCO Tuning[0]
1D	Tx Syn VCO Tuning[7]	Tx Syn VCO Tuning[6]	Tx Syn VCO Tuning[5]	Tx Syn VCO Tuning[4]	Tx Syn VCO Tuning[3]	Tx Syn VCO Tuning[2]	Tx Syn VCO Tuning[1]	Tx Syn VCO Tuning[0]
1E	CH1 Low Thresh Exceeded	CH1 High Thresh Exceeded	CH1 Gain Upd Count Exp	CH1 AGC State [1]	CH1 AGC State [0]	CH1 Gain Change	Temp Sense Valid	AuxADC Valid
1F	CH2 Low Thresh Exceeded	CH2 High Thresh Exceeded	CH2 Gain Upd Count Exp	CH2 AGC SM[1]	CH2 AGC SM[0]	CH2 Gain Change		

DESCRIPTION OF CONTROL OUTPUT SIGNALS

Any control output options not listed in the following sections are undefined. For example, if Control Output Pointer is set to 0x0E the logic level of Control Output 0 is undefined and it is not listed in the following description section.

Once the BBP initiates a calibration on the AD9361, the BBP should not execute additional code until the calibration completes. There are three methods to meet this requirement:

- The BBP can wait until the longest time that the calibration could take to run.
- The BBP can poll the bit used to initiate the calibration or it can poll a lock bit for VCO calibrations.
- The BBP can monitor various control output signals which inform the BBP in real time when the calibration completes.

0x035 = 0x00 (CALIBRATION BUSY AND DONE)

Control Output 7 (Cal Done)

When the AD9361 powers up into the sleep state, this signal is low. The signal responds only to the RF DC, BB DC, Tx quadrature, Rx quadrature, and gain step calibrations. After one these calibrations completes, the Cal Done signal transitions high. From that point on, while any of the previously listed calibrations runs, Cal Done is low, returning high at the completion of the calibration. If several bits in Calibration Control register are set simultaneously, the calibration state machine will run the calibrations automatically in a particular order. Only after all calibrations previously listed have completed will the Cal Done signal transition high.

Control Output 6 (Tx CP Cal Done)

When the AD9361 powers up into the sleep state, this signal is low. It transitions high after a Tx charge pump calibration completes. If this signal is already high, it will transition and stay low during the CP cal and transition high after the calibration completes.

Control Output 5 (Rx CP Cal Done)

Same as Tx CP Cal Done in Control Output 6 but applies to the Rx charge pump calibration.

Control Output 4 (Rx BB Filter Tuning Done)

Normally high. This signal is low only when the Rx baseband filter calibration runs.

Control Output 3 (Tx BB Filter Tuning Done)

Normally high. This signal is low only when the Tx baseband filter calibration runs.

Control Output 2 (Gain Step Cal Busy)

Normally low. This signal is high only when the gain step calibration runs.

Control Output 1 (Rx Synth VCO Cal Busy)

Normally low. This signal is high only when the Rx RF VCO calibration runs.

Control Output 0 (Tx Synth VCO Cal Busy)

Normally low. This signal is high only when the Rx RF VCO calibration runs.

0x035 = 0x01 (PLL LOCK)**Control Output 7 (Tx RF PLL Lock)**

This signal reflects the state of the Tx RFPLL lock detect circuit. If the lock detect mode is continuous, then this control output signal will be high when the RFPLL is locked and low otherwise (including when a calibration runs). If the lock detect mode is run once, then this bit will indicate the status of the lock detect circuit every time the frequency integer word is written (causing a VCO cal to occur) but after that occurs, the lock detect circuit will stop monitoring the state of the RFPLL.

Control Output 6 (Rx RF PLL Lock)

Same as Tx RF PLL Lock in Control Output 7 but applies to the Rx RFPLL.

Control Output 5 (BBPLL Lock)

This signal is high when the BBPLL is locked. Otherwise, this signal is low.

Control Output 4 Through Control Output 0

Always low.

0x035 = 0x02 (CALIBRATION BUSY)**Control Output 7 (BB DC Cal Busy)**

Normally low. This signal is high only when the baseband DC calibration runs.

Control Output 6 (RF DC Cal Busy)

Normally low. This signal is high only when the RF DC calibration runs.

Control Output 5 (CH1 Rx Quad Cal Busy)

Normally low. This signal is high only when the Rx1 quadrature calibration runs.

Control Output 4 (CH1 Tx Quad Cal Busy)

Normally low. This signal is high only when the Tx1 quadrature calibration runs.

Control Output 3 (CH2 Rx Quad Cal Busy)

Normally low. This signal is high only when the Rx2 quadrature calibration runs.

Control Output 2 (CH2 Tx Quad Cal Busy)

Normally low. This signal is high only when the Tx2 quadrature calibration runs.

Control Output 1 (Gain Step Cal Busy)

Normally low. This signal is high only when the gain step calibration runs.

Control Output 0 (Tx Mon Cal Busy)

Normally low. This signal is high only when the Tx monitor calibration runs.

0x035 = 0x03 (Rx GAIN CONTROL)**Control Output 7 (CH1 ADC Low Power)**

The low power signal is used in the fast AGC and the MGC modes. This signal will be high if a low power condition exists in the AD9361.

Control Output 6 (CH1 Lg LMT Ovrgr)

This signal transitions high if a large LMT overload occurs. The signal will stay high until the gain changes. After a gain change, the signal transitions low even if the input signal exceeds the threshold because the gain control holds the LMT detect in reset until the Peak Wait Time counter expires. If an overload still occurs, this control output will again transition high.

Control Output 5 (CH1 Lg ADC Ovrgr)

This signal transitions high if a large ADC overload occurs. The signal will stay high until the gain changes. After a gain change, the signal transitions low even if the ADC overload still occurs because the gain control holds the ADC detect in reset until the Peak Wait Time counter expires. If an overload still occurs, this control output will again transition high.

Control Output 4 (CH1 Sm ADC Ovr)

This signal transitions high if a small ADC overload occurs. The signal will stay high until the gain changes. After a gain change, the signal transitions low even if the ADC overload still occurs because the gain control holds the ADC detect in reset until the Peak Wait Time counter expires. If an overload still occurs, this control output will again transition high.

Control Output 3 (CH2 Low Power)

Same as Control Output 7 but applies to Rx2.

Control Output 2 (CH2 Lg LMT Ovr)

Same as Control Output 6 but applies to Rx2.

Control Output 1 (CH2 Lg ADC Ovr)

Same as Control Output 5 but applies to Rx2.

Control Output 0 (CH2 Sm ADC Ovr)

Same as Control Output 4 but applies to Rx2.

0x035 = 0x04 (Rx GAIN CONTROL)**Control Output 7 Through Control Output 3 (CH2 Rx Gain [6:2])**

These control outputs represent the most significant 5 bits of the gain index pointer for Rx2. For a split table, these bits represent the most significant 5 bits of the LMT gain index.

Control Output 2 (CH2 Lg LMT Ovr)

See 0x035 = 0x03 Control Output 2.

Control Output 1 (CH2 Lg ADC Ovr)

See 0x035 = 0x03 Control Output 1.

Control Output 0 (CH2 Gain Lock)

Applies only to fast AGC mode. This signal is high if the AGC locks the gain and low otherwise.

0x035 = 0x05 (Rx GAIN CONTROL)**Control Output 7 (CH2 Gain Change)**

Normally low. Pulses high when the Rx2 gain changes. The internal clock rates of the [AD9361](#) determine the duration of the pulse. For the standard LTE 10 MHz profile, the duration is approximately 30 ns.

Control Output 6 (CH1 Gain Change)

Same as Control Output 7 but applies to Rx1.

Control Output 5 (CH2 Low Power)

See 0x035 = 0x03 Control Output 3.

Control Output 4 (CH2 Lg LMT Ovr)

See 0x035 = 0x03 Control Output 2.

Control Output 3 (CH2 Lg ADC Ovr)

See 0x035 = 0x03 Control Output 1.

Control Output 2 (CH2 Gain Lock)

Same as 0x035 = 0x04 Control Output 0.

Control Output 1 (CH2 Energy Lost)

This signal is normally low and applies only to the fast AGC. It transitions high when the energy lost condition occurs and stays high as long as the condition is true.

Control Output 0 (CH2 Stronger Signal)

This signal is normally low and applies only to the fast AGC. It transitions high when the stronger signal condition occurs and stays high as long as the condition is true.

0x035 = 0x06 (Rx GAIN CONTROL)**Control Output 7 (CH1 ADC Low Power)**

See 0x035 = 0x03 Control Output 7.

Control Output 6 (CH1 Lg LMT Ovr)

See 0x035 = 0x03 Control Output 6.

Control Output 5 (CH1 Lg ADC Ovr)

See 0x035 = 0x03 Control Output 5.

Control Output 4 Through Control Output 0 (CH1 Rx Gain[6:2])

Same as 0x035 = 0x04 Control Output 7 Through Control Output 3 but applies to Rx1.

0x035 = 0x07 (Rx GAIN CONTROL)**Control Output 7 (CH1 ADC Low Power)**

See 0x035 = 0x03 Control Output 7.

Control Output 6 (CH1 Lg LMT Ovr)

See 0x035 = 0x03 Control Output 6.

Control Output 5 (CH1 Lg ADC Ovr)

See 0x035 = 0x03 Control Output 5.

Control Output 4 (CH1 Sm ADC Ovr)

See 0x035 = 0x03 Control Output 4.

Control Output 3 Through Control Output 1 (CH1 AGC SM[2:0])

These control outputs correspond to the slow and fast AGC state machines. Note that in slow AGC mode, there are only 4 states (0 through 3) so the MSB will not go high in this mode.

Control Output 0 (CH1 Gain Lock)

Same as 0x035 = 0x04 Control Output 0 but applies to Rx1.

0x035 = 0x08 (Rx GAIN CONTROL)**Control Output 7 (CH1 Stronger Signal)**

Same as 0x035 = 0x05 Control Output 0 but applies to Rx1.

Control Output 6 (CH1 Gain Lock)

See 0x035 = 0x07 Control Output 0.

Control Output 5 (CH1 Energy Lost)

Same as 0x035 = 0x05 Control Output 1 but applies to Rx1.

Control Output 4 (CH1 Gain Change)

See 0x035 = 0x05 Control Output 6.

Control Output 3 (CH2 Stronger Signal)

See 0x035 = 0x05 Control Output 0.

Control Output 2 (CH2 Gain Lock)

See 0x035 = 0x04 Control Output 0.

Control Output 1 (CH2 Energy Lost)

See 0x035 = 0x05 Control Output 1.

Control Output 0 (CH2 Gain Change)

See 0x035 = 0x05 Control output 7.

0x035 = 0x09 (RxON, TxON, RSSI)**Control Output 7 (RxON)**

This signal is high when the receiver signal path is enabled. For this to occur, at least one receiver must be enabled in Register 0x003. In addition, the AD9361 must be in the receive state (for TDD ENSM) or the FDD state (for FDD ENSM). If the FDD External Control Enable bit is set, then in addition to being in the FDD state, the BBP must turn on one or both receivers via the ENABLE pin.

Control Output 6 (CH1 RSSI Preamble Ready)

This signal is high when the RSSI preamble word is valid. Once the preamble word is valid, it will stay valid until some event (controlled by the RSSI Mode Select bits) causes the RSSI algorithm to restart. If the AD9361 is in the receive state and the preamble word is valid, the preamble word remains valid even if the AD9361 is moved to the Alert or Tx states. If the RSSI algorithm is set to restart when the AD9361 enters Rx mode and the AD9361 moves from Alert to the Rx or FDD state, this signal will transition low while the new preamble word is calculated and then it will transition high when it is valid. If the RSSI algorithm is set to restart when the Fast AGC locks the gain, the preamble will only update if the ENSM moves into the Rx state and then locks the gain. It will not update if the ENSM is already in the Rx (or FDD) state. Gain changes in slow AGC mode never update the preamble.

Control Output 5 (CH1 RSSI Symbol Ready)

This signal pulses high when the Rx1 RSSI Symbol value has been updated. The AD9361 internal clock rates determine the pulse duration. For the standard LTE 10 MHz profile, the duration is approximately 60 ns.

Control Output 4 (TxON)

High when the transmit signal path is enabled. For this to occur, at least one transmitter must be enabled. In addition, the AD9361 must be in the transmit state (for TDD ENSM) or the FDD state (for FDD ENSM). If the External Control Enable bit is set, then in addition to being in the FDD State, the BBP must turn on one or both transmitters via the TXNRX pin.

Control Output 3 (CH2 RSSI Preamble Ready)

Same as Control Output 6 but applies to Rx2.

Control Output 2 (CH2 RSSI Symbol Ready)

Same as Control Output 5 but applies to Rx2

0x035 = 0x0A (DIGITAL OVERFLOW)**Control Output 7 (CH1 Tx Int3 Overflow)**

This signal is high if the Tx Int3 filter overflows. If the overflow condition stops, the signal goes low.

Control Output 6 (CH1 Tx HB3 Overflow)

This signal is high if the Tx HB3 filter overflows. If the overflow condition stops, the signal goes low.

Control Output 5 (CH1 Tx HB2 Overflow)

This signal is high if the Tx HB2 filter overflows. If the overflow condition stops, the signal goes low.

Control Output 4 (CH1 Tx QEC Overflow)

This signal is high if the Tx QEC algorithm overflows. If the overflow condition stops, the signal goes low.

Control Output 3 (CH1 Tx HB1 Overflow)

This signal is high if the Tx HB1 filter overflows. If the overflow condition stops, the signal goes low.

Control Output 2 (CH1 Tx FIR Overflow)

This signal is high if the Tx FIR filter overflows. If the overflow condition stops, the signal goes low.

Control Output 1 (CH1 Rx FIR Overflow)

This signal is high if the Rx FIR filter overflows. If the overflow condition stops, the signal goes low.

0x035 = 0x0B (CALIBRATION AND ENSM STATES)**Control Output 7 Through Control Output 4 (Cal Seq State [3:0])**

These four control outputs represent the state of the calibration state machine. For example, while a BB DC calibration is running, the state of the calibration state machine is 0x2. In this case, only Control Output 5 is high.

Control Output 3 Through Control Output 0 (ENSM[3:0])

These four control outputs represent the state of the ENSM. For example, in the alert state, the ENSM is in State 5 so Control Output 2 and Control Output 0 are high.

0x035 = 0x0C (GAIN CONTROL)**Control Output 7 (CH1 Energy Lost)**

See 0x035 = 0x08 Control Output 5.

Control Output 6 (CH1 Reset Peak Detect)

Applies to all Rx gain control modes. This signal is high when the gain control circuit holds the peak detectors in the reset state.

Control Output 5 (CH2 Energy Lost)

See 0x035 = 0x05 Control Output 1.

Control Output 4 (CH2 Reset Peak Detect)

Same as Control Output 6 but applies to Rx2.

Control Output 3 (Gain Freeze)

If the gain is frozen, this signal is high. Else, it is low. Frozen gain indicates that one or more bits have been set which will prevent the gain from unlocking even if a case such as a peak overload occurs. Gain only freezes after lock.

Control Output 2 (CH1 Digital Sat)

Normally low. If this signal is high that indicates that a digital overload is occurring or has occurred. Once the signal is high, the gain must change for it to transition low. If the gain changes but the overload condition persists, the signal will still transition and stay low while the AD9361 holds the peak detectors in the reset state for a duration set by the Peak Overload Wait Time. The signal then transitions high after the peak detectors exit the reset state.

Control Output 1 (CH2 Digital Sat)

Same as Control Output 2 but applies to Rx2.

0x035 = 0x0D (Tx QUADRATURE AND RF DC CALIBRATION STATUS)**Control Output 7 and Control Output 6 (CH1 Tx Quad Cal Status[1:0])**

These control outputs display the status of the Tx quadrature calibration state machine, stepping through State 0 through State 3 as the calibration runs. It returns to State 0 when the calibration completes.

Control Output 5 (CH1 Tx Quad Cal Done)

Pulses high when the Tx Quad Cal finishes. The AD9361 digital clock rates determine the pulse duration. For the LTE 10 MHz standard customer software profile, the signal pulses high for approximately 480 ns.

Control Output 4 (RF DC Cal Busy)

This signal transitions high while the RF DC calibration runs, then transitions low.

Control Output 3 and Control Output 2 (CH2 Tx Quad Cal Status[1:0])

Same as Control Output 7 and Control Output 6 but applies to Tx2.

Control Output 1 (CH2 Tx Quad Cal Done)

Same as Control Output 5 but applies to Tx2

0x035 = 0x0E (Rx QUADRATURE AND BB DC CALIBRATION STATUS)**Control Output 4 (BB DC Cal Busy)**

This signal is high when the BB DC calibration runs. If only the BB DC calibration is run, then the signal will only be high once. If an RF calibration only runs or if a BB DC calibration is run followed by an RF DC calibration, the signal will be high for the BB DC calibration and then it will pulse high again during the RF DC calibration.

0x035 = 0x0F (GAIN CONTROL)**Control Output 7 Through Control Output 5 (CH1 AGC State[2:0])**

See 0x035 = 0x07 Control Output 3 through Control Output 1.

Control Output 4 (CH1 Reset Peak Detect)

See 0x035 = 0x0C Control Output 6.

Control Output 3 (CH2 Reset Peak Detect)

See 0x035 = 0x0C Control Output 4.

Control Output 2 and Control Output 1 (CH1 RF DC Cal State[1:0])

These signals represent the state of the Rx1 RF DC calibration state machine.

0x035 = 0x10 (GAIN CONTROL AND RSSI)**Control Output 7 Through Control Output 5 (CH2 AGC State[2:0])**

Same as 0x035 = 0x0F Control Output 7 through Control Output 5 but apply to Rx2.

Control Output 4 (CH2 Enable RSSI)

This signal is high when the RSSI word is valid and low otherwise.

Control Output 3 (CH1 Enable RSSI)

Same as Control Output 4 but applies to Rx1.

Control Output 2 and Control Output 1 (CH2 RF DC Cal State[1:0])

Same as 0x035 = 0x0F Control Output 2 and Control Output 1 but apply to Rx2.

0x035 = 0x11 (AUXADC DIGITAL OUTPUT)**Control Output 7 Through Control Output 0 (AuxADC Output[11:4])**

These bits are the most significant 8 bits of the AuxADC digital word.

0x035 = 0x12 (GAIN CONTROL, POWER WORD READY)**Control Output 7 (CH1 Filter Power Ready)**

Pulses high when the power measurement using the HB1 or FIR outputs is valid. The time the signal remains high is dependent on the internal clock rates of the AD9361. For the standard customer software LTE 10 MHz profile, the signal is high for approximately 65 ns.

Control Output 6 (CH1 Gain Lock)

See 0x035 = 0x08 Control Output 6.

Control Output 5 (CH1 Energy Lost)

See 0x035 = 0x08 Control Output 5.

Control Output 4 (CH1 Stronger Signal)

See 0x035 = 0x08 Control Output 7.

Control Output 3 (CH1 ADC Power Ready)

If ADC power is used for AGC power measurements, this signal will pulse high when a new power word is ready. The [AD9361](#) internal clock rates determine the pulse durations. The interval between updates is set by the Weight ADC Power Multipliers.

Control Output 2 Through Control Output 0 (CH1 AGC State[2:0])

See 0x035 = 0x07 Control Output 3 through Control Output 1.

0x035 = 0x13 (GAIN CONTROL, POWER WORD READY)**Control Output 7 (CH2 Filter Power Ready)**

Same as 0x035 = 0x12 Control Output 7 but applies to Rx2.

Control Output 6 (CH2 Gain Lock)

See 0x035 = 0x08 Control Output 2.

Control Output 5 (CH2 Energy Lost)

See 0x035 = 0x08 Control Output 1.

Control Output 4 (CH2 Stronger Signal)

See 0x035 = 0x08 Control Output 3.

Control Output 3 (CH2 ADC Power Ready)

Same as 0x035 = 0x12 Control Output 3 but applies to Rx2.

Control Output 2 Through Control Output 0 (CH2 AGC State[2:0])

Same as 0x035 = 0x12 Control Output 2 through Control Output 0 but apply to Rx2.

0x035 = 0x14 (DIGITAL OVERFLOW)**Control Output 7 (CH2 Tx Int3 Overflow)**

Same as 0x035 = 0x0A Control Output 7, but applies to Tx2.

Control Output 6 (CH2 Tx HB3 Overflow)

Same as 0x035 = 0x0A Control Output 6, but applies to Tx2.

Control Output 5 (CH2 Tx HB2 Overflow)

Same as 0x035 = 0x0A Control Output 5, but applies to Tx2.

Control Output 4 (CH2 Tx QEC Overflow)

Same as 0x035 = 0x0A Control Output 4, but applies to Tx2.

Control Output 3 (CH2 Tx HB1 Overflow)

Same as 0x035 = 0x0A Control Output 3, but applies to Tx2.

Control Output 2 (CH2 Tx FIR Overflow)

Same as 0x035 = 0x0A Control Output 2, but applies to Tx2.

Control Output 1 (CH2 Rx FIR Overflow)

Same as 0x035 = 0x0A Control Output 1, but applies to Tx2.

Control Output 0

Always zero.

0x035 = 0x15 (DC OFFSET TRACKING)**Control Output 7 (CH1 SOI Present)**

This signal is high when the digital signal power exceeds the RF DC offset SOI threshold. In MGC mode, this is always true. For AGC modes, this signal will go low when the gain updates. The pulse low occurs each time the gain update counter expires (for the slow AGC) or when Control Input 2 transitions high (for hybrid mode). Time duration of the low pulse is dependent on the [AD9361](#) internal clock rates. For the standard LTE 10 MHz profile, the duration is approximately 400 ns. In the fast AGC mode, the signal will go low while the AGC moves through its states. When the gain locks, the signal will transition high if the digital signal level exceeds the SOI threshold.

Control Output 6 (CH1 Update DCRF)

This signal pulses high when the RF DC offset word updates. The duration of the pulse is dependent on the [AD9361](#) internal clock rates. For the standard LTE 10 MHz profile, the pulse is approximately 30 ns.

Control Output 5 (CH1 Measure DCRF)

This signal is high when the RF DC offset is actively being calculated and correction words generated. New correction words are only applied at times set by DC offset update. In any gain control mode, if the gain changes, this signal will be low, indicating that the RF DC offset algorithm is waiting for the gain to finish changing before calculating new correction words.

Control Output 4 (CH1 DC Track Count Reached)

This signal pulses high whenever the RF DC tracking count has been reached. This event signals that the correction word may update with a new value. The value will not be applied until an event occurs as specified in DC offset update. The [AD9361](#) internal clock rates determine the duration of the pulse. For the standard LTE 10 MHz profile, the pulse is approximately 30 ns.

Control Output 3 Through Control Output 0

Always zero.

0x035 = 0x16 (GAIN CONTROL)**Control Output 7 (CH1 Gain Lock)**

See 0x035 = 0x08 Control Output 6.

Control Output 6 Through Control Output 0 (CH1 Rx Gain[6:0])

These signals represent the gain index of Rx1 but only apply to AGC modes. For the full gain table mode, this is the index of the full gain table. For the split gain table mode, this index is for the LMT table. The BBP must read the index of the LPF table using SPI reads.

0x035 = 0x17 (GAIN CONTROL)**Control Output 7 (CH2 Gain Lock)**

See 0x035 = 0x08 Control Output 2.

Control Output 6 Through Control Output 0 (CH2 Rx Gain[6:0])

Same as 0x035 = 0x16 Control Output 6 through Control Output 0 but apply to Rx2.

0x035 = 0x18 (DC OFFSET TRACKING, POWER WORD READY)**Control Output 7 (CH2 SOI Present)**

Same as 0x035 = 0x15 Control Output 7 but applies to Rx2.

Control Output 6 (CH2 Update DCRF)

Same as 0x035 = 0x15 Control Output 6 but applies to Rx2.

Control Output 5 (CH2 Measure DCRF)

Same as 0x035 = 0x15 Control Output 5 but applies to Rx2.

Control Output 4 (CH2 DC Track Count Reached)

Same as 0x035 = 0x15 Control Output 4 but applies to Rx2.

Control Output 3 (CH2 Enable Dec Pwr)

This signal is high when the Rx2 decimated power word is valid. In manual gain mode, this is always true. In the AGC modes, the signal pulses low when the gain changes, indicating that the decimated power word is not correct while the gain is changing. The time that the signal is held low depends on the gain control mode and the [AD9361](#) internal clock rates but is generally in the hundreds of nanoseconds. For example, for the slow AGC mode and the standard LTE 10 MHz customer software profile, the signal is low approximately 400 ns.

Control Output 2 (CH2 Enable ADC Pwr)

Operates in the same manner as Control Output 3 but applies to the ADC power measurement for Channel 2.

Control Output 1 (CH1 Enable Dec Pwr)

Same as Control Output 3 but applies to Rx1.

Control Output 0 (CH1 Enable ADC Pwr)

Same as Control Output 2 but applies to Rx1.

0x035 = 0x19 (CHARGE PUMP CALIBRATION STATES)**Control Output 7 Through Control Output 4 (Rx Syn CP Cal[3:0])**

These signals represent the state of the receiver charge pump calibration state machine. Most of the cal time (10 s of milliseconds) is spent in State 1. Near the end of the calibration, the state machine jumps to State 8 and then approximately 10 ms later it steps through State 0 through State 8 in approximately 200 μ s, remaining in State 8 after the calibration.

Control Output 3 Through Control Output 0 (Tx Syn CP Cal[3:0])

These signals represent the state of the transmitter charge pump calibration state machine. However, response of these signals is different than the Rx CP cal bits in Control Output 7 through Control Output 4. For the Tx CP cal, the Control Outputs step through State 0 through State 8 in approximately 200 μ s and remain at State 8 after the calibration completes.

0x035 = 0x1A (Rx VCO AND ALC CALIBRATION STATES)**Control Output 7 (Rx Syn VCO Tuning[8])**

The Rx synthesizer VCO tuning algorithm uses a state machine, the state of which is represented by 9 bits. This is the most significant bit of the state. The lower 8 bits are found in 0x035 = 0x1C, Control Output 7 through Control Output 0.

Control Output 6 Through Control Output 0 (Rx Synth VCO ALC[6:0])

The Rx synthesizer VCO tuning algorithm incorporates an automatic level control calibration to fine tune the VCO level. These signals represent the state of the ALC state machine as it calibrates.

0x035 = 0x1B (Tx VCO AND ALC CALIBRATION STATES)**Control Output 7 (Tx Syn VCO Tuning[8])**

Same as 0x035 = 0x1A Control Output 7 but applies to the Tx synthesizer.

Control Output 6 Through Control Output 0 (Tx Synth VCO ALC[6:0])

Same as 0x035 = 0x1A Control Output 6 through Control Output 0 but apply to the Tx synthesizer.

0x035 = 0x1C (Rx VCO CALIBRATION STATES)**Control Output 7 Through Control Output 0 (Rx Syn VCO Tuning[7:0])**

These are the lower 8 bits of the Rx synthesizer VCO tuning state machine. See 0x035 = 0x1A Control Output 7.

0x035 = 0x1D (Tx VCO CALIBRATION STATES)**Control Output 7 Through Control Output 0 (Tx Syn VCO Tuning[7:0])**

These bits are the same as those in 0x035 = 0x1C but they apply to the Tx synthesizer VCO tuning state machine.

0x035 = 0x1E (GAIN CONTROL, TEMP SENSE VALID, AUXADC VALID)**Control Output 7 (CH1 Low Thresh Exceeded)**

This signal only applies to the slow AGC. If the signal power drops below the inner low threshold, this signal goes high until the measured power is no longer lower than the threshold. When this condition occurs, the slow AGC will adjust the gain in an attempt to keep the signal power between the two inner thresholds. After the gain changes (and assuming that the signal power is now within the inner thresholds), this signal will remain high until a new power measurement completes. Thus, it can be hundreds of microseconds or longer before this signal transitions low, even though the gain change has already occurred.

Control Output 6 (CH1 High Thresh Exceeded)

Similar to Control Output 7 but applies to the inner high threshold of the slow AGC.

Control Output 5 (CH1 Gain Upd Count Exp)

This signal pulses high when the slow AGC gain update counter expires. The length of the pulse depends on the [AD9361](#) internal clock rates. For the standard LTE 10 MHz customer software profile, the signal is high for approximately 40 ns.

Control Output 4 and Control Output 3 (CH1 AGC State[1:0])

See 0x035 = 0x0F Control Output 7 and Control Output 6.

Control Output 2 (CH1 Gain Change)

See 0x035 = 0x08 Control Output 4.

Control Output 1 (Temp Sense Valid)

This signal changes state when the temperature sensor word is valid. The BBP can manually start a temperature measurement or it can set up the [AD9361](#) for periodic measurements. For periodic measurements, this control output signal will be a square wave with a period equal to double the measurement time interval.

Control Output 0 (AuxADC Valid)

If the AuxADC is enabled, this signal changes state when the AuxADC word in Register 0x01E and Register 0x01F is valid. This signal will be a square wave with a period equal to twice the update time of the AuxADC.

0x035 = 0x1F (GAIN CONTROL)**Control Output 7 (CH2 Low Thresh Exceeded)**

Same as 0x035 = 0x1E Control Output 7 but applies to Rx2.

Control Output 6 (CH2 High Thresh Exceeded)

Same as 0x035 = 0x1E Control Output 6 but applies to Rx2.

Control Output 5 (CH2 Gain Upd Count Exp)

Same as 0x035 = 0x1E Control Output 5 but applies to Rx2.

Control Output 4 and Control Output 3 (CH2 AGC SM[1:0])

See 0x035 = 0x10 Control Output 7 and Control Output 6.

Control Output 2 (CH2 Gain Change)

See 0x035 = 0x08 Control Output 0.

AuxADC/AuxDAC/GPO/TEMP SENSOR

OVERVIEW

This section describes operation of the auxiliary features available in the AD9361. These features help simplify system tasks and lower overall system cost. They include two 10-bit auxiliary DACs, one 12-bit auxiliary ADC, an internal temperature sensor, and four general-purpose output (GPO) pins.

AuxDAC

The two AuxDACs are 10-bit general purpose DACs. Each is capable of sourcing 10 mA. For stability, place a 0.1 μ F capacitor on the output of each AuxDAC. SPI writes enable the AuxDAC. The AuxDAC may be set for manual operation or be set to automatically toggle during TDD operation to reduce control

required from the BBP. The AuxDAC is configured using the `ad9361_auxdac_setup` function. By default, the AuxDACs are disabled when the device is first powered up.

In certain applications, it is desirable to delay the AuxDAC transition after the enable signal transitions. Each AuxDAC has its own receive and transmit mode delay setting in Register 0x30 through Register 0x33. Each LSB equals approximately 1 μ s. Register 0x3A must be set based on your reference clock to program a 1 μ s delay. Set Bits[D6:D0] to the number of reference clock cycles per μ s minus one. Figure 55 shows the AuxDAC code vs. output voltage for four different reference voltage settings for AuxDAC 1.

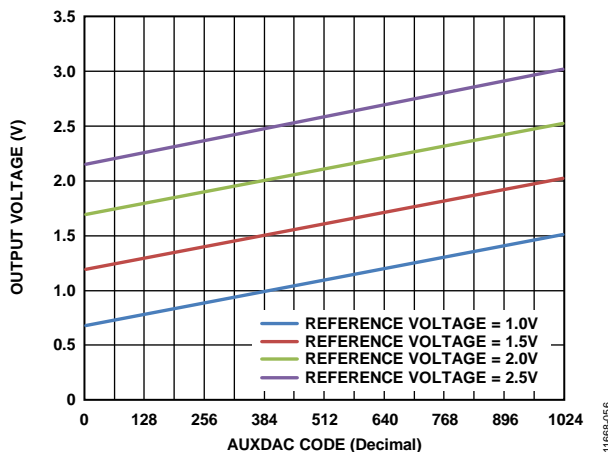


Figure 55. AuxDAC Output Voltage vs. Register 0x18 through Register 0x1B Code

AuxADC

The AuxADC is a 12-bit auxiliary converter with an input level range 0 V to 1.3 V with an adjustable conversion time. The AuxADC is configured using the `ad9361_auxadc_setup` function. The AuxADC allows monitoring of desired voltages such as a PA power detector or an external temperature sensor. A small value capacitor (680 pF) may be placed on the AUXADC pin to improve noise performance. The AD9361 also includes an internal temperature sensor that can be measured using the AuxADC. Note that the AuxADC can only be used to measure either the internal temperature or the voltage on the AUXADC pin at a time.

Figure 56 shows the AuxADC code vs. input voltage. The AuxADC is off by default. The AuxADC clock is generated by dividing the baseband PLL frequency. Equation 21 and

Equation 22 determine the AuxADC clock frequency and the decimation rates.

The AuxADC output is read from Register 0x1E (D7:D0) and Register 0x1F (D3:D0). To capture the voltage on the AUXADC pin, the decimation filter clock should be routed on the CTRL_OUT0 pin. To select the AuxADC decimation clock on the CTRL_OUT0 pin write Register 0x35 to Register 0x1E. Data from Register 0x1E (D7:D0) and Register 0x1F (D3:D0) can be latched on the falling edge or on the rising edge of decimation clock coming out of the CTRL_OUT0 pin. The SPI reads must occur before the edge on the control out signal toggles again.

The register settings used during the ramp test shown in Figure 56 are shown in Table 45.

$$\text{AuxADC Clock Frequency} = \frac{\text{BBPLL Frequency}}{1 + \text{AuxADC Clock Divider}[5:0]} \tag{21}$$

$$\text{AuxADC Decimation} = 256 \times 2^{\text{AuxADC Decimation}[2:0]} \tag{22}$$

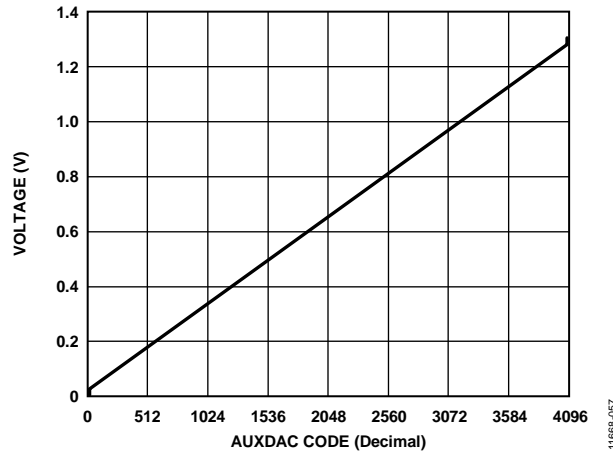


Figure 56. AuxADC Code vs. Input Voltage

Table 45. Example Code for AuxADC Set Up

Command	Address(hex)	Data(hex)	Comment
SPI Write	0F	4	Disable temp sensor read back
SPI Write	1C	63	Set the AuxADC clock frequency to BBPLL/36
SPI Write	1D	0	Enable AuxADC and set decimation to 256
SPI Write	35	1E	Select AuxADC valid on control out [0]
SPI Write	36	FF	Enable all control out pins

INTERNAL TEMPERATURE SENSOR

The AuxADC can also be used to measure the internal temperature of the DUT. To measure the temperature sensor, use the `ad9361_auxadc_setup` function to configure the part in temperature sensor mode, and then use the `ad9361_get_temp` function to do a reading. The temperature word has a slope of approximately 1.14 LSB/°C. A single point factory or bench calibration is required to equate absolute temperature to the temperature word.

Bits[D2:D0] of Register 0x0F set the decimation rate for AuxADC in temperature sensor mode per Equation 23.

For temperature measurement, the clock frequency of the AuxADC is set to the frequency of BBPLL divided by 64. Bits D7:D1 of Register 0x0D set the rate at which the

temperature sensor periodically takes temperature readings as per Equation 24. If temperature measurements are to be performed manually (Bit D0 of Register 0x0D is clear) then the measurements start when Bit D0 of Register 0x0C (Start Temp Reading) is set.

Data from register 0x0E can be latched into the baseband processor on the toggle of the temp sensor valid signal, Bit D1 of Register 0x0C. This signal should be routed out on the CTRL_OUT1 pin by writing 0x36 to Register 0x03.

Figure 57 shows the temperature sweep of the AD9361 while reading the internal temperature sensor. Table 46 specifies the register settings used to generate the internal temperature sensor graph plotted in Figure 57.

$$Temp\ Sensor\ Decimation = 256 \times 2^{Temp\ Sensor\ Decimation[2:0]} \tag{23}$$

$$Calculation\ Time\ (s) = \frac{Measurement\ Time\ Interval[6:0] \times 2^{29}}{BBPLL\ Clock\ Frequency\ (Hz)} \tag{24}$$

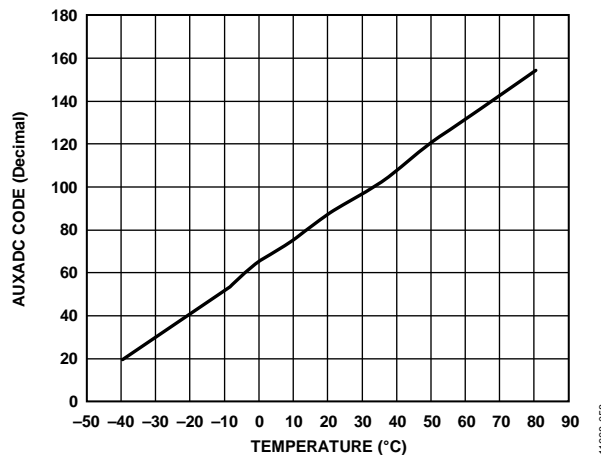


Figure 57. AuxADC Measuring Internal Temp Sensor

Table 46. Example Code for Temperature Sensor Setup

Command	Address(hex)	Data(hex)	Comment
SPI Write	B	0	Set the Temp sense offset to 0
SPI Write	C	F	Temp sensor set in manual mode
SPI Write	D	0	Calculation time set to 0sec
SPI Write	F	0	Set the temp sensor decimation to 256
SPI Write	1D	1	Disable AuxADC pin voltage measurement
SPI Write	35	1E	Select Temp sense valid on control out [1]
SPI Write	36	FF	Enable all control out pins

GENERAL PURPOSE OUTPUT CONTROL

The AD9361 has four GPO pins that can be setup using the `ad9361_gpo_setup` function. The GPOs commonly control antenna switches or LNA enable. There are two options for controlling the GPOs. The manual method uses SPI writes from the BBP. The automatic method slaves the GPOs to the enable state machine (ENSM). When using external LNAs, the AD9361 can optionally slave GPO_0 and GPO_1 off the receive gain tables to control LNA gain on each of the two receivers. The supply voltage to the GPOs comes from a pin VDD_GPO (B8) on the AD9361 with a nominal supply voltage range of 1.3 V to 3.3 V. Setting Bit D4 of Register 0x026 puts the GPOs in manual control mode. Use the upper nibble (four bits) of Register 0x027 as the GPO logic level controls. GPO_3 uses D7; GPO_2 uses D6, GPO_1 uses D5, GPO_0 uses D4. In this mode, the lower nibble of Register 0x26 is ignored.

GPO Auto Toggle

When initializing the GPOs for ENSM Control the initial states of the GPOs should be set in the lower nibble of Register 0x27 with GPO_0 corresponding to Bit D0, GPO_1 corresponding to Bit D1, GPO_2 corresponding to Bit D2 and GPO_3 corresponding to Bit D3. Register 0x20 contains the bits that determine how the GPOs respond to state changes from Alert. The upper nibble controls, which GPO pins, will change states when moving to Rx mode and the lower nibble controls, which GPO pins, will change states in Tx. For example let Register 0x26 be 0x00 (ENSM control enabled), Register 0x27 be 0xFF (initialize all GPO pins to 1), and Register 0x20 = 0x24 (toggle the GPO_1 pin in Rx and GPO_2 in Tx). When the part enters alert state, all GPO pins will become high. When the part enters Tx, only Pin GPO_2 pin will toggle low. When the part enters Rx, GPO_1 pin will toggle low. This is a typical scenario for a T/R switch with differential control.

Some applications have a need to insert a delay between the DUT state transitions and GPO pin toggles. To accommodate these needs, there are GPO registers that can be programmed to the required delay. Register 0x28 through Register 0x2B set the delay from an ENSM state change of alert to receive while Register 0x02C through Register 0x02F set the delay from an ENSM state change from Alert to Transmit. Each LSB is 1 μ s. The delay settings will only work when the TXNRX and ENABLE pins are used to control the state machine. The delay settings will not work when SPI is used to control the state machine. Depending on the reference clock, program Register 0x3A for a resolution of 1 μ s/LSB. Set Bits[D6:D0] to the number of reference clock cycles per μ s minus one. In FDD mode, the Tx enable and Tx delays are applied while the Rx enable and Rx delays are ignored.

Figure 58 shows the timing of the GPOs and AuxDAC1 based on the code written in Table 47 when the device transitions from alert to receive. The pink trace shows when the ENABLE pin is toggled. Note that after 10 μ s, GPO0 (blue trace) and GPO1 (yellow trace) change states and the AUXDAC (green trace) starts ramping up to the desired voltage.

GPO Voltage Level, Drive Strength

The VDD_GPO pin (B8) which has a voltage range of 1.3 V to 3.3 V sets the output high logic level of the GPO. The off resistance of the GPO pins is 15 Ω . The on resistance of the GPO pins is 32 Ω .

Table 47. Example Code for Auto Toggle Timing of GPO and AuxDAC

Command	Address(hex)	Data(hex)	Comment
SPI Write	27	02	Set all GPOs to 0 except GPO_1
SPI Write	26	0	Set GPO to auto mode
SPI Write	20	10	Set GPO_1 to 0 and GPO_0 to 1 in Rx
SPI Write	29	0A	GPO_1 delay 10 μ s in Rx
SPI Write	28	0A	GPO_0 delay 10 μ s in Rx
SPI Write	2C	0A	GPO_0 delay 10 μ s in Tx
SPI Write	2D	0A	GPO_1 delay 10 μ s in Tx
SPI Write	1A	1F	Vref = 2.5 V, step factor = 1
SPI Write	18	7F	AUXDAC Vout ~ 2.2 V
SPI Write	30	A	AUXDAC1 delay =10 μ s in Rx

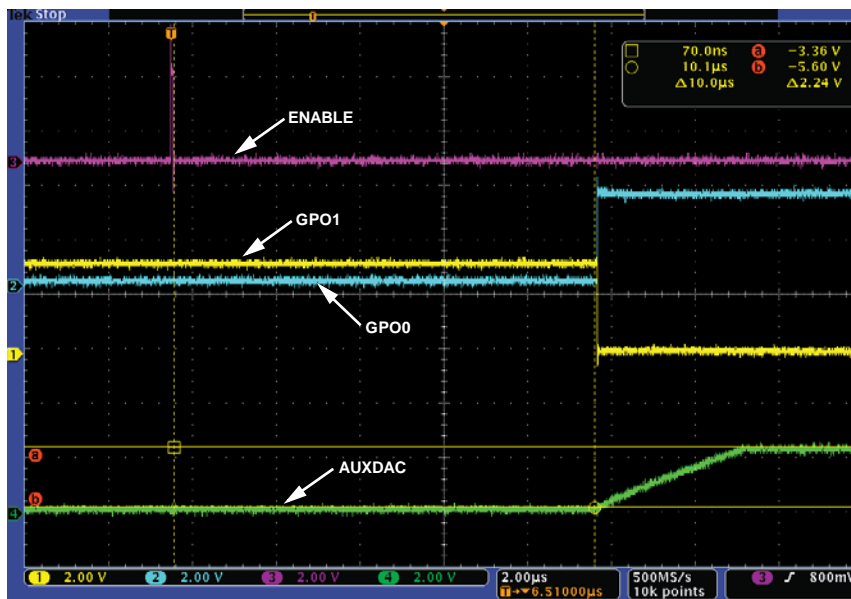


Figure 58. GPO/AuxDAC Toggle going from Alert to Rx

BASEBAND SYNCHRONIZATION

OVERVIEW

For broadband wireless access (BWA) systems, multi input-multi output (MIMO) operation and RF beamforming are proven techniques for maximizing throughput and efficient spectrum utilization. Modern integrated devices with multichannel Rx and multichannel Tx capability such as the AD9361 make developing MIMO systems with high performance and linearity utilizing integrated receivers, transmitters, and synthesizers a simpler task.

Some systems may require more complex configurations that combine multiple devices. Operating multiple devices while trying to coordinate data for each channel of each device is not practical for devices that operate independently without any mechanism for aligning data timing. Data synchronization into and out of multiple devices is required to implement such configurations successfully.

The AD9361 is capable of providing the synchronization necessary to implement multichannel systems. This device contains the external control inputs and internal circuitry needed to synchronize baseband sampling and data clocks, allowing the system design to utilize multiple devices in parallel with equivalent performance to a single device.

MULTICHIP SYNCHRONIZATION

The device utilizes a fractional-N synthesizer in the baseband PLL block to generate the desired sample rate for the system. This synthesizer generates the ADC sample clock, DAC sample clock, and baseband digital clocks from any reference clock in the frequency range specified for the reference clock input. For

MIMO systems requiring more than two input or two output channels, multiple AD9361 devices and a common reference oscillator are required. The AD9361 provides the capability to accept an external reference clock and synchronize operation with other devices using simple control logic. Each AD9361 includes its own baseband PLL that generates sampling and data clocks from the reference clock input, so an additional control mechanism is required to synchronize multiple devices. A logical SYNC_IN pulse input is needed to align each device's data clock with a common reference. Figure 59 illustrates the connections necessary to synchronize two AD9361 devices. The oscillator output is buffered into each device using an ADA4851-4 quad high-speed op amp as a clock buffer amplifier. Another alternative is to use a clock buffer IC like the AD9548 to distribute a buffered clock to each device while minimizing the noise coupling between devices. The procedure following Figure 59 explains how to synchronize two devices, but it should be noted that additional devices could be connected in parallel using this procedure. The total number of devices that can be connected in parallel is limited only by the drive capability of the clock and logic signals.

Note that this function does not include RF synchronization. The ability to synchronize RF local oscillators is not available with this device. Baseband PLL synchronization is the only alignment among multiple chips that is possible using this feature. If the MCS RF Enable bit is set then the RF LO dividers will remain enabled in the alert state. This will allow for the RF phase relationship between multiple devices to remain constant throughout operation.

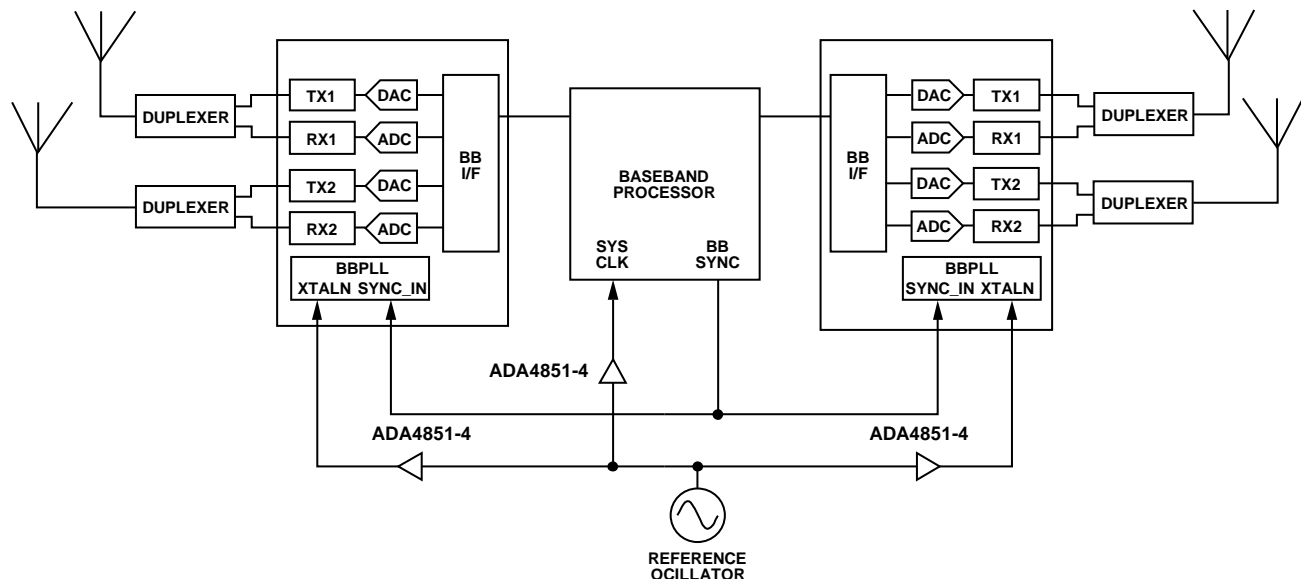


Figure 59. BB Multichip Synchronization Configuration

1166B-060

PROCEDURE

1. Connect all AD9361 clock inputs to a common buffered reference using the XTALN pin as shown in Figure 59 for proper synchronization. (Figure 59 uses the ADA4851-4 configured as a clock buffer amplifier.) In addition, the electrical length of the trace feeding the reference to each device must be equivalent to avoid clock skew that could cause the sync function to fail.
2. After power-up, set each BBPLL to the same frequency by sending the same frequency command to each device.
3. Determine standard register settings that will generate the same internal sampling clocks and DATA_CLK outputs using the customer software and write them to each device.
4. In each device set the MCS BBPLL Enable and MCS BB Enable bits and then set the MCS refclk Scale En bit. This enables multichip synchronization (MCS) for the BBPLLs and references the proper internal clock.
5. Input a rising-edge pulse to the SYNC_IN pin of each device. The timing requirements of this signal are illustrated in Figure 60 for the case where the internal BBPLL REF_CLK is a buffered version of the external REF_CLK and in Figure 61 for the case where the internal BBPLL REF_CLK is 2x the external REF_CLK. MCS cannot be used if the 1/2x or 1/4x options are selected for the internal BBPLL REF_CLK. Note that the SYNC_IN pulse rising edge must have a delay from the REF_CLK input to XTALN to ensure synchronization. This action synchronizes the BBPLL of each device to the same reference clock.
6. Once the BBPLLs are synchronized, clear the MCS BBPLL Enable bit, and set the MCS Digital Clocks Enable bit while keeping the MCS BB Enable bits set. This enables MCS to synchronize the digital clock dividers.
7. After this register write, input another rising-edge pulse simultaneously to the SYNC_IN pin of each device. This action synchronizes the data clock of each device to the same reference clock. The timing requirements of this signal are identical to those for the first SYNC_IN pulse. The results of this action can be observed by monitoring the DATA_CLK output of each device and noting their relative phases before and after the second SYNC_IN pulse is received.
8. After synchronization is complete, clear the MCS Digital CLK Enable and MCS BB Enable bits to prevent any accidental triggering of the synchronization function.

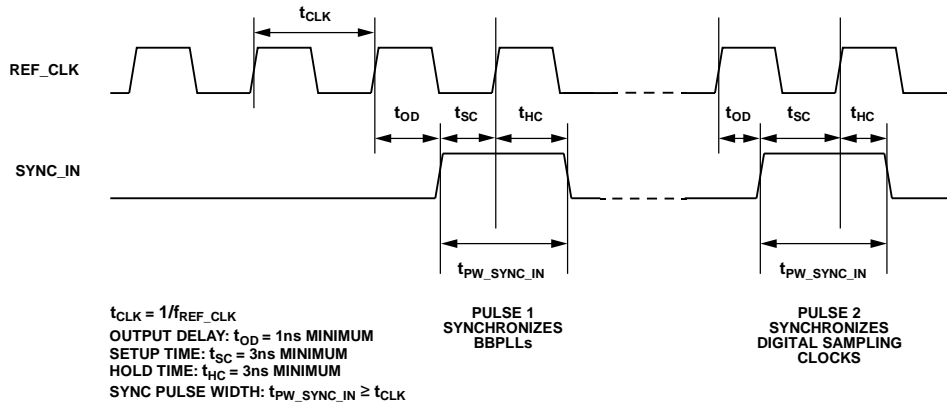


Figure 60. AD9361 BB Multichip Synchronization SYNC_IN Pulse Timing (BBPLL Internal REF_CLK Set to 1x)

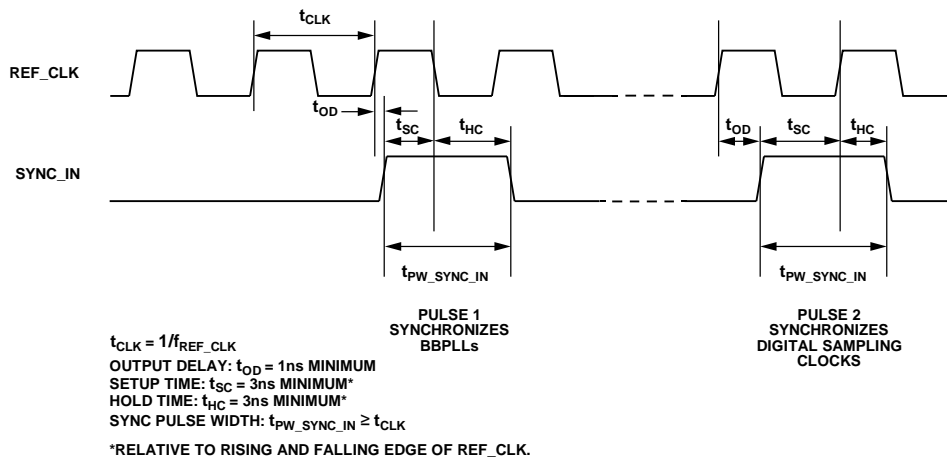


Figure 61. AD9361 BB Multichip Synchronization SYNC_IN Pulse Timing (BBPLL internal REF_CLK Set to 2x)

SYNCHRONIZATION VERIFICATION

Data synchronization can be verified by observing the DATA_CLK signal of each chip simultaneously using an oscilloscope. The waveforms will overlap after successfully completing the sync procedure. Similarly, the CLK_OUT pin on each device (when enabled) can be monitored to determine if the ADC clocks are synchronized. Figure 62 illustrates the DATA_CLK signals of two devices before and after the second SYNC_IN pulse occurs. Note that the SYNC_IN pulse is much longer in duration than the DATA_CLK signals in this example. As long as the setup and hold times meet the requirements listed in Figure 60 and Figure 61, this is an acceptable combination because the SYNC_IN input is edge detected by the REF_CLK reference.

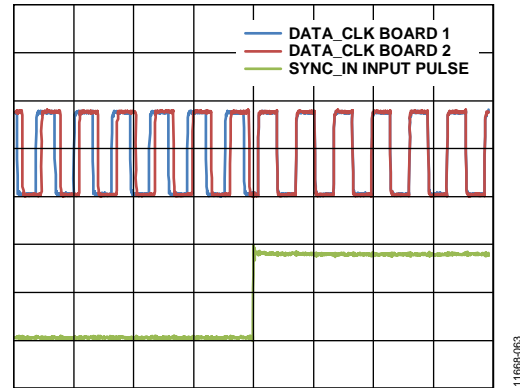


Figure 62. Clock Signals of AD9361 IC1 and IC2 Before and After Second SYNC_IN Pulse (Initial Phase Random)

DIGITAL INTERFACE SPECIFICATION

OVERVIEW

This section defines the parallel data ports and the serial peripheral interface (SPI) that enable the transfer of data and control/status information between the AD9361 and a BBP. Figure 63 illustrates these interfaces as well as provides a high-level view of how the AD9361 and BBP are used in a broadband wireless system. The data interface operates in one of two modes: standard CMOS compatible mode or low-voltage differential signal (LVDS) compatible mode. Each interface possesses unique characteristics described in the following sections.

When CMOS mode is used:

- Single ended-CMOS logic compatibility is maintained.
- Either one or both data ports may be utilized. Using two ports allows for higher data throughput.
- Both frequency-division duplex (FDD) and time-division duplex (TDD) operation are supported with one data port or two.

When LVDS mode is used:

- Data port signaling is differential LVDS, allowing up to 12-inch PCB traces/connector interconnects between the AD9361 and the BBP.
- Only the data port (including clocking and other associated timing signals) is LVDS compatible.
- Both FDD and TDD operation are supported.

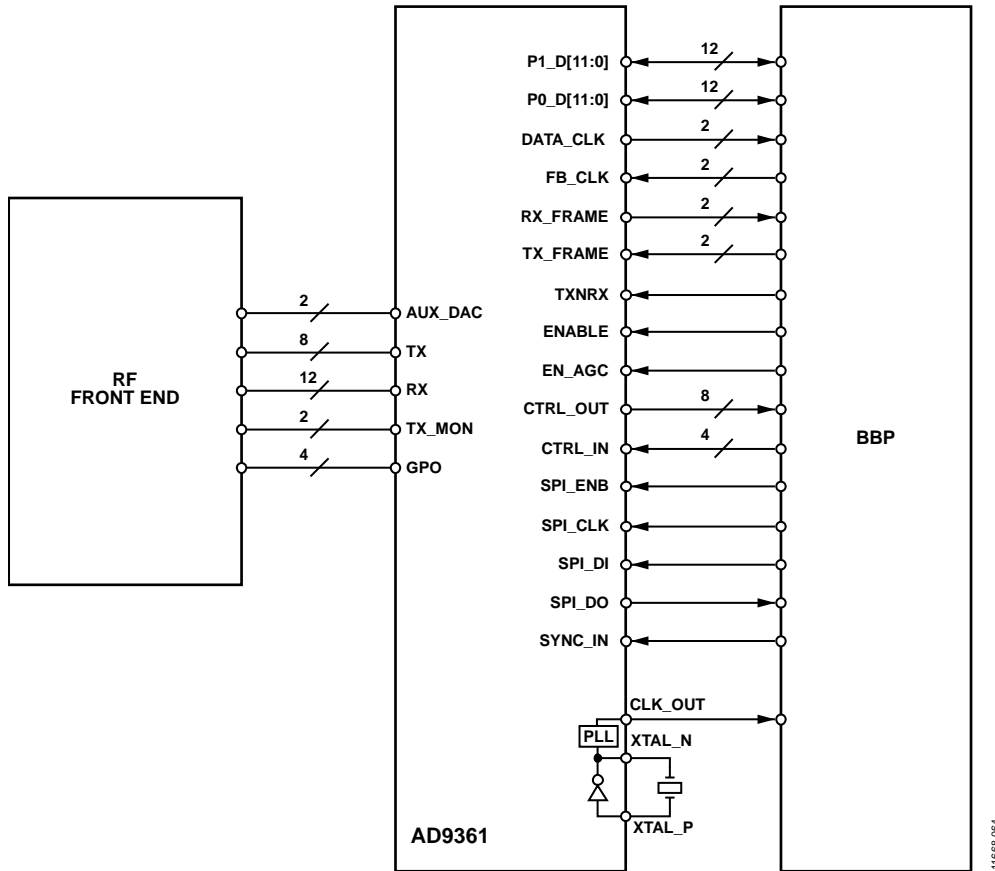


Figure 63. AD9361 Interface

CMOS MODE DATA PATH AND CLOCK SIGNALS

This section describes operation of the [AD9361](#) data path in CMOS mode. In this mode, the [AD9361](#) data path interface can use either or both parallel data ports to transfer data samples between the [AD9361](#) and the BBP. The bus transfers are controlled using simple hardware handshake signaling. The two ports can be operated in either FDD mode or bidirectional TDD mode. In FDD mode, half of the bits transmit data and the other half receive data simultaneously. In TDD mode, the transmit data and receive data are alternately transferred between the [AD9361](#) and the BBP on the same pins during different time slots. For applications that do not require fast effective data rates, a single port can be used to minimize connections to the [AD9361](#). The data path interface consists of the signals described in the following sections.

P0_D[11:0] and P1_D[11:0]

Both Port 0 (P0) and Port 1 (P1) have a 12-bit parallel data bus (D[11:0]) that transfers data between the BBP and the [AD9361](#). Each bus is identical to the other in size and function, so D[11:0] is used to refer to either P0 or P1. These buses can be configured as transmit-only, receive-only, or bi-directional.

DATA_CLK

The DATA_CLK signal is provided to the BBP as a master clock for the Rx data path. In CMOS mode, it is generated internally and output on the DATA_CLK_P pin (DATA_CLK_N is left unconnected). The same clock is used for P0, P1, or both ports depending on the data bus configuration. The BBP uses this master clock as the timing reference for the interface data transfers and for the baseband data processing. DATA_CLK provides source-synchronous timing with dual edge capture (DDR) or single rising-edge capture (SDR) data transfer during receive operation.

The DATA_CLK frequency generated depends on the system architecture (such as, number of RF channels, degree of over-sampling, and bandwidth mode).

FB_CLK

FB_CLK is a feedback (looped-back) version of DATA_CLK driven from the BBP to the FB_CLK_P pin in CMOS mode (FB_CLK_N is left unconnected). FB_CLK allows source synchronous timing with rising edge capture for the burst control signals (TX_FRAME, ENABLE, and TXNRX). FB_CLK also provides source synchronous timing with dual edge capture (DDR) or single rising-edge capture (SDR) for D[11:0] data signals during Tx bursts (both P0 and P1). Note that FB_CLK must be a feedback version of DATA_CLK (exact same frequency and duty cycle), but there is no phase relationship requirement between the two clock signals.

RX_FRAME

RX_FRAME is driven by the [AD9361](#) to identify valid data for the Rx data path (both P0 and P1). A high transition indicates the beginning of the frame. RX_FRAME can be set to be a single high transition at the beginning of a burst and stay high throughout the burst, or it can be set to be a pulse train that has a rising edge at the beginning of each frame (50% duty cycle). In CMOS mode, this signal is output from the RX_FRAME_P pin (RX_FRAME_N can be left unconnected).

TX_FRAME

TX_FRAME is driven by the BBP to identify valid data for the Tx data path (both P0 and P1). A high transition indicates the beginning of the frame. The BBP can set TX_FRAME to be a single high transition at the beginning of a burst that stays high throughout the burst, or it can set TX_FRAME to a pulse train that has a rising edge at the beginning of each frame (50% duty cycle). The [AD9361](#) accepts either format. In CMOS mode, this signal is input to the TX_FRAME_P pin (TX_FRAME_N is tied to ground).

The [AD9361](#) transmits null data (all zeros) until the first TX_FRAME indicates valid data. This is a useful feature when the Tx path completes a transmit operation in FDD independent mode and the data path is not automatically flushed. In this case, the TX_FRAME pin can be held low to complete the data flushing operation. See the Enable State Machine Guide section for more details.

Note that the interface requires both RX_FRAME and TX_FRAME signals to function properly.

ENABLE

ENABLE is driven from the BBP to the AD9361 to provide data transfer burst control (along with TXNRX) in TDD mode.

ENABLE is asserted by the BBP for a minimum of a single DATA_CLK cycle to indicate the start of each burst. It is subsequently asserted a second time for a minimum of a single DATA_CLK cycle to indicate the end of each burst.

The AD9361 internally tracks the sequence of ENABLE pulses to interpret each pulse correctly as either the start or finish of each burst. The ENABLE signal also can be configured in level mode, in which an edge transition (not pulses) determines when the ENSM moves between states. The level sampled on TXNRX during each ENABLE start event controls the bus direction in TDD mode. The start and finish latencies (between the ENABLE pulses being sampled by the AD9361 and the presence of the first and last valid data samples on the bus) vary depending on data path configuration. The RX_FRAME and TX_FRAME signals are used to determine valid data by the BBP and the AD9361, respectively. The FB_CLK signal is used to sample this input.

In FDD mode, the ENABLE signal serves as the single control input to determine the state of the ENSM. There is also an alternative FDD mode in which the ENABLE signal can be redefined as RxON, a direct hardware control input to the ENSM that controls the Rx function. In this mode (called FDD independent control mode), the BBP independently controls the Rx function, which can result in power consumption savings.

TXNRX

TXNRX is driven from the BBP to the AD9361 and provides data transfer burst control (along with ENABLE) when the data bus is in TDD mode. When ENABLE is sampled high by the

AD9361 to start a burst, the level on TXNRX is also sampled to determine the data direction. In TDD mode, TXNRX sampled high indicates a transmit burst and TXNRX sampled low indicates a receive burst.

The TXNRX signal level must be maintained throughout a data transfer burst (a valid logic level). The TXNRX signal may be established any number of cycles (≥ 0) before the ENABLE start pulse is sampled, and it may be changed any number of cycles (≥ 0) after the ENABLE finish pulse is sampled. It is important to note that the TXNRX signal should only change state while the ENSM is in the ALERT state because the TXNRX signal powers up and down the synthesizers directly in TDD mode.

In normal FDD mode, the TXNRX signal is ignored but must be held at a valid logic level. There is also an alternative FDD mode in which the TXNRX signal can be redefined as TxON, a direct hardware control input to the ENSM that controls the Tx function. In this mode (called FDD independent control mode), the BBP independently controls the Tx function, which can result in power consumption savings.

CMOS MAXIMUM CLOCK RATES AND SIGNAL BANDWIDTHS

The data listed in Table 48 compares the maximum data clock rates and maximum RF signal bandwidths in the different allowable operating modes for the CMOS data bus configuration. Maximum RF bandwidths are listed for two cases: sampling using the minimum sample rate that avoids aliasing, and sampling using $2\times$ oversampling. Details of each mode are given in subsequent sections. The maximum DATA_CLK rate is limited to 61.44 MHz, so the data rates are limited by this factor and the 56 MHz maximum analog filter bandwidth.

Table 48. Maximum Data Rates (SDR and DDR) and Signal Bandwidths

Operating Mode	1R1T Configurations						1R2T/2R1T/2R2T Configurations					
	Maximum Data Rate (Combined I and Q Words)		Maximum RF Channel Signal Bandwidth				Maximum Data Rate (Combined I and Q Words)		Maximum RF Channel Signal Bandwidth (Per Channel)			
			Using Minimum Sample Frequency		Using $2\times$ Oversampling				Using Minimum Sample Frequency		Using $2\times$ Oversampling	
	SDR (MSPS)	DDR (MSPS)	SDR Bus (MHz)	DDR Bus (MHz)	SDR Bus (MHz)	DDR Bus (MHz)	SDR (MSPS)	DDR (MSPS)	SDR Bus (MHz)	DDR Bus (MHz)	SDR Bus (MHz)	DDR Bus (MHz)
Single Port Half Duplex	30.72	61.44	30.72	56 ¹	15.36	30.72	15.36	30.72	15.36	30.72	7.68	15.36
Single Port Full Duplex	15.36	30.72	15.36	30.72	7.68	15.36	7.68	15.36	7.68	15.36	3.84	7.68
Dual Port Half Duplex	61.44	122.88	56 ¹	56 ¹	30.72	56 ¹	30.72	61.44	30.72	56 ¹	15.36	30.72
Dual Port Full Duplex	30.72	61.44	30.72	56 ¹	15.36	30.72	15.36	30.72	15.36	30.72	7.68	15.36

¹ Limited by the analog filter bandwidth.

SINGLE PORT HALF DUPLEX MODE (CMOS)

Single port half duplex mode is used in applications requiring TDD operation and data rates less than 61.44 MHz. In this mode, the bus is utilized in a bidirectional manner so that data can be received or transmitted on the same lines. This mode can be used with all receiver-transmitter configurations (1R1T, 2R1T, 1R2T, and 2R2T) and is typically employed when there is limited PCB space or the BBP has only a single data bus port available. The bus can be operated as either single data rate (SDR) or dual data rate (DDR) in this configuration. In this mode, the enabled port is multiplexed between transmit and receive operation while the unused port is disabled. The enabled port is determined by the Swap Ports bit in SPI register 0x012. Figure 64 illustrates the connections between the AD9361 and the BBP for this mode of operation.

During an Rx burst, D[11:0] is driven by the AD9361 such that the setup and hold times between DATA_CLK and D[11:0] arriving allow the BBP to use DATA_CLK to capture the data. Similarly, during a Tx burst, D[11:0] is driven by the BBP such that the setup and hold times between FB_CLK and D[11:0] allow the AD9361 to use FB_CLK to capture the data. A data

transfer starts when the ENABLE signal pulses (or goes high), and the end of the data transfer is marked but another pulse on the ENABLE line (or when it returns low). The direction of data transfer is determined by the TXNRX signal. When this signal is low and the ENSM is in the Rx or FDD state, the bus is configured in the receive direction (data transferred from AD9361 to BBP). When TXNRX is driven high and the ENSM has moved out of the Rx or FDD state, the ENSM changes the bus to the transmit direction (data transferred from BBP to AD9361).

The Rx_FRAME and Tx_FRAME signals indicate the beginning of a set (frame) of data samples. The Rx_FRAME can be set to occur once at the beginning of the burst (one high transition only) for each data transfer or to have a rising edge at the beginning of each frame and repeat with a 50% duty cycle until the data transfer is complete. Similarly, Tx_FRAME accepts either format from the BBP.

During a transmit burst, the BBP drives the data values on P0_D[11:0] using FB_CLK and Tx_FRAME. During a Rx burst, the AD9361 drives the data values on P0_D[11:0] using DATA_CLK and Rx_FRAME.

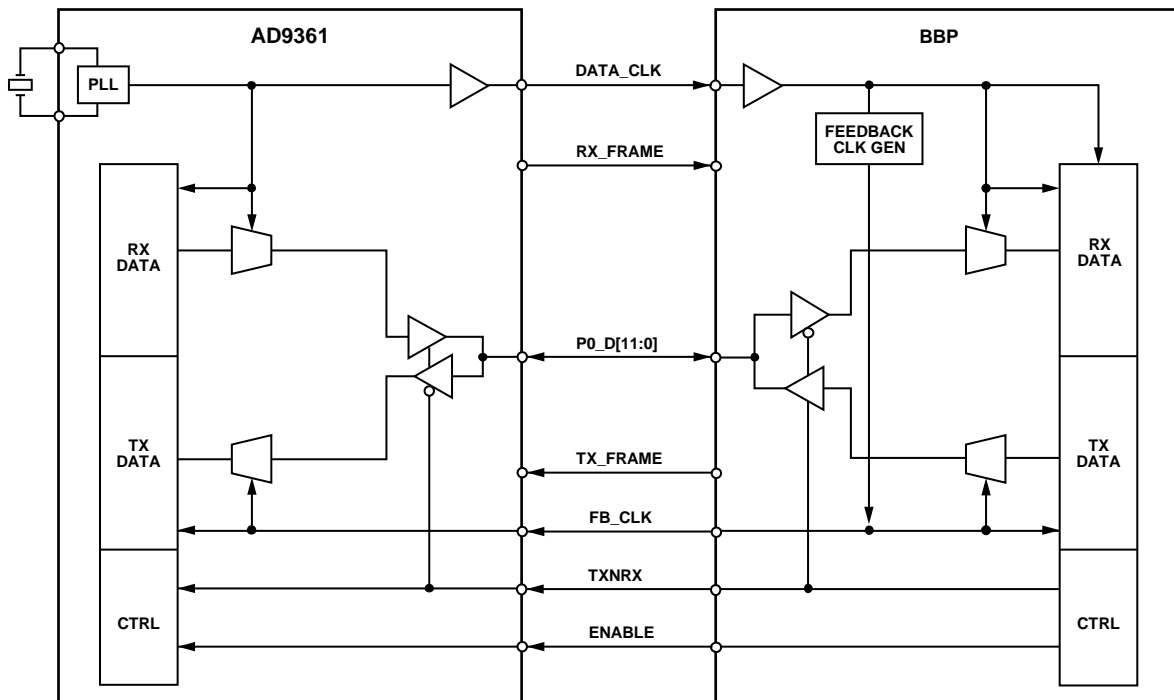


Figure 64. Single Port TDD Mode Bus Configuration

11668-065

The data samples are carried in two's complement format, with D[11] as the numerically most significant bit and D[0] as the least significant bit. In other words, the most positive sample value is 0x7FF and the most negative value is 0x800. In this mode, the I and Q data samples are time-interleaved on the data bus. For a single RF path in each direction (a 1R1T system), the I and Q samples are carried in a 2-way interleave:

I, Q, I, Q, ...

For a system utilizing two Rx/Tx channels, the I and Q samples from RF channels 1 and 2 are carried in a 4-way interleave:

I₁, Q₁, I₂, Q₂, I₁, Q₁, I₂, Q₂, ...

For a system with a 2R1T or 1R2T configuration, the clock frequencies, sample periods, and data capture timing are the same as if configured for a 2R2T system. However, in the path with only a single channel used, the disabled channel's I-Q pair in each data group is unused. These unused slots are ignored by the [AD9361](#). For example, in a 2R1T system with only Tx Channel 1 used, the transmit burst would have two unused slots, as follows:

I, Q, X, X, I, Q, X, X, ...

The unused X slots may be filled with arbitrary data values by the BBP. Such values can be fixed constant values, or the preceding data sample values can be repeated to reduce the bus-switching factor and; therefore, power consumption.

SINGLE PORT TDD FUNCTIONAL TIMING (CMOS)

The timing diagrams in Figure 65 and Figure 66 illustrate the relationship among the bus signals in single port TDD mode. These diagrams show an example of timing for both SDR and DDR modes of operation. For all subsequent sections in this section, only DDR timing will be shown. Figure 65 and Figure 66 also include the timing diagrams for the 1R1T scenario where the 2R2T Timing bit is set, forcing the data transfer format to be the same as the 2R2T case. This mode is useful for single port systems that may need to switch between single channel and multichannel operation but cannot change their data transfer format. The 2R2T bit has no effect if the device is not configured 1R1T mode.

Note that the Tx_FRAME and Tx data must be transmitted such that they meet the setup and hold requirements relative to FB_CLK. In addition to the 1R1T and 2R2T scenarios, 1R2T and 2R1T configurations are shown to illustrate that their timing is identical to the 2R2T configuration. Behavior with different combinations of receiver and transmitter channels in other modes also follows the 2R2T timing behavior, so for all subsequent sections these plots are omitted from the figures.

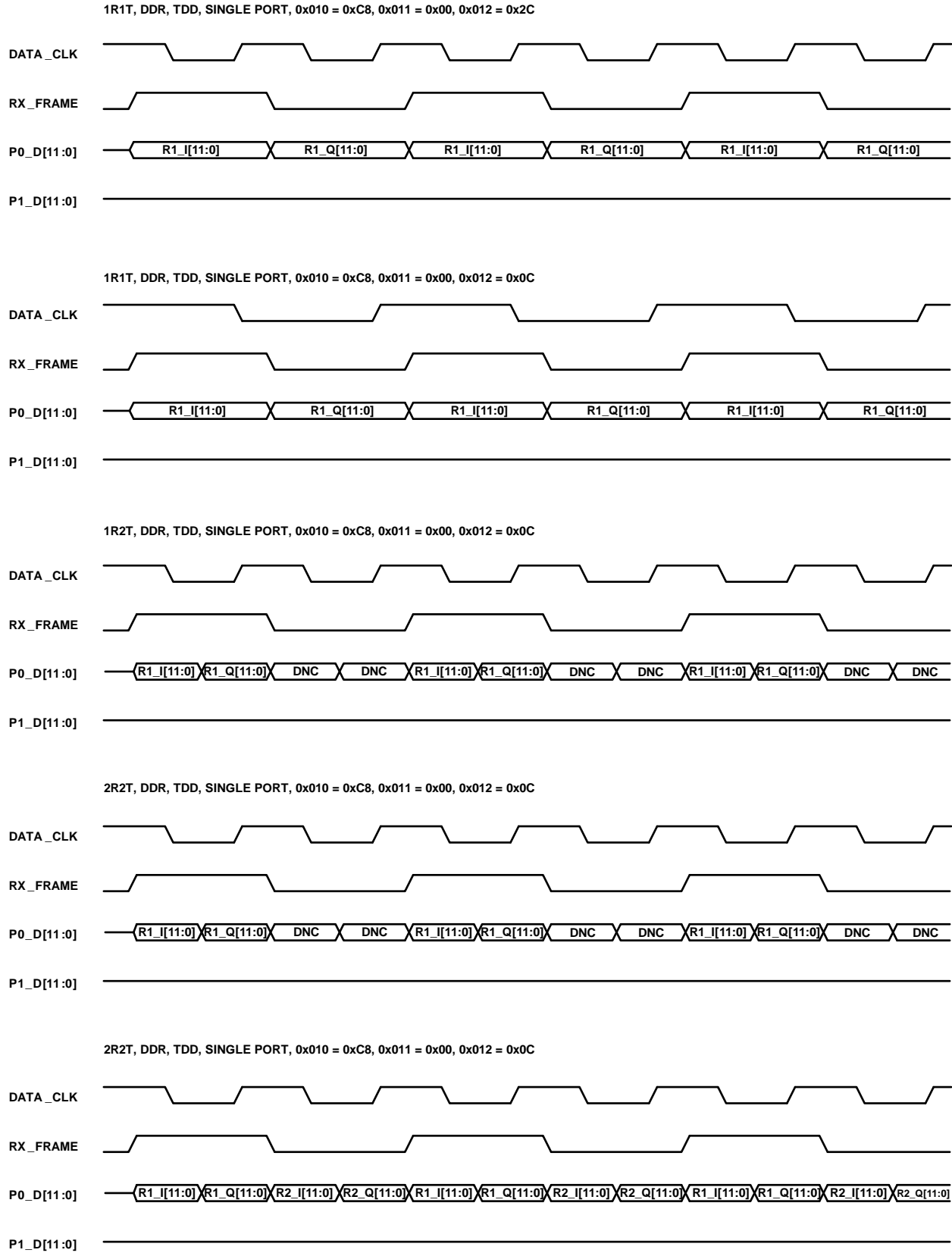


Figure 65. Receiver Data Path, Single Port TDD (DNC = Do Not Care)

11665-066

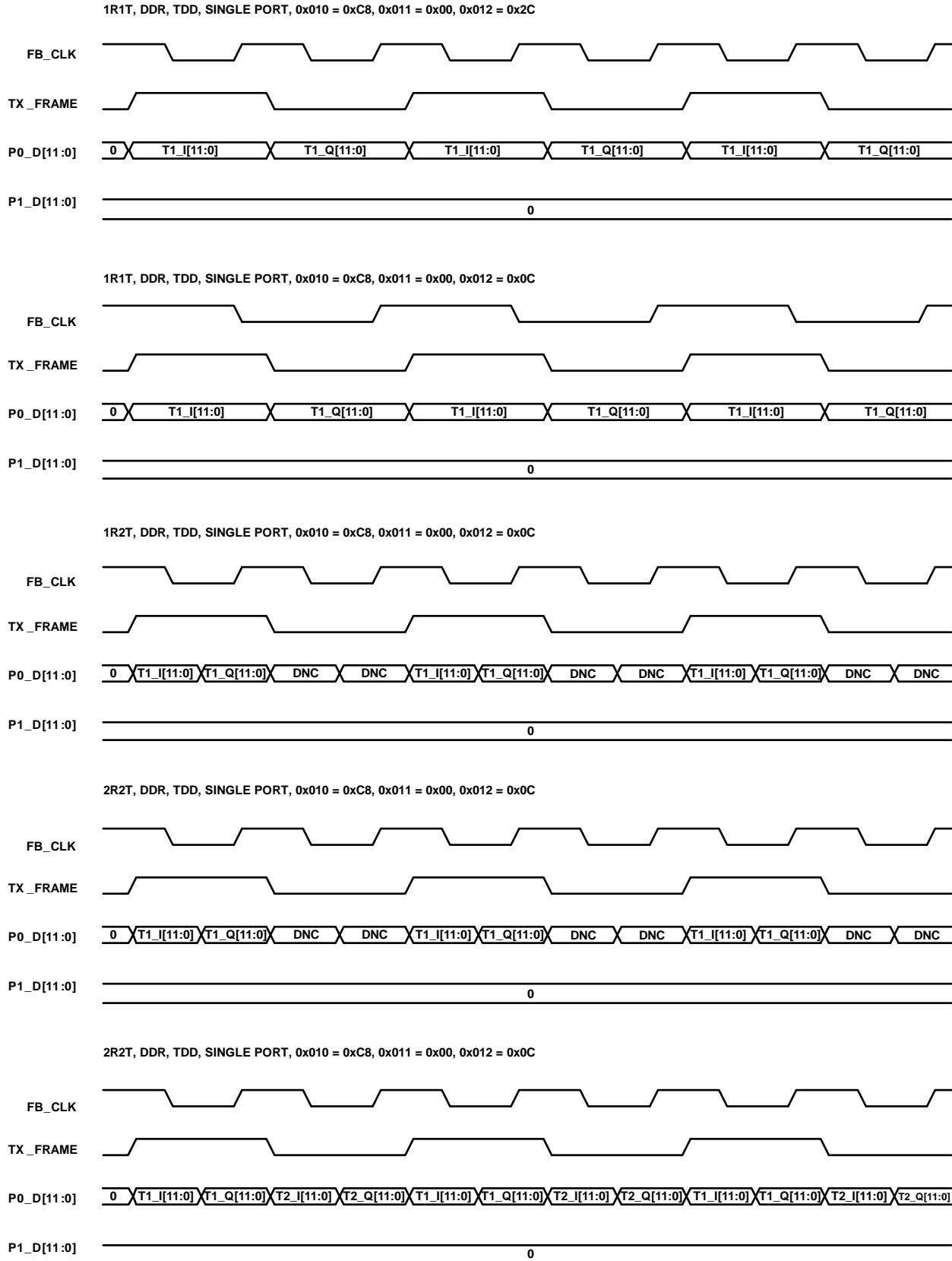


Figure 66. Transmitter Data Path, Single Port TDD (DNC = Do Not Care)

11669-067

SINGLE PORT FULL DUPLEX MODE (CMOS)

Single port full duplex mode is used in applications requiring FDD operation and data rates less than 30.72 MHz. In this mode, the bus is split in half with six bits dedicated to Rx data and six bits dedicated to Tx data. This mode can be used with all receiver-transmitter configurations. The bus can be operated as either SDR or DDR in this configuration. In this example, only P0 is enabled and the data bus is split into separate subbuses. Each sub-bus operates simultaneously allowing full duplex of transmit and receive data between the BBP and the AD9361. Because the bus must complete twice as many data transfers for full duplex mode, the data bus must operate at twice the speed of the TDD mode to achieve the same transmit and receive data rates (as each are running concurrently in full duplex).

Figure 67 illustrates the connections between the AD9361 and the BBP for this mode of operation.

Transmit data is driven on P0_D[11:6] by the BBP such that the setup and hold times between FB_CLK and P0_D[11:6] allow the AD9361 to use FB_CLK to capture the data. Receive data is driven on P0_D[5:0] by the AD9361 such that the setup and hold times between DATA_CLK and P0_D[5:0] arriving at the BBP enable the BBP to use DATA_CLK to capture the data. A pulse on the ENABLE pin (or a rising edge) triggers the beginning of data transfer, and another pulse (or falling edge) signifies the end of data transfer.

The Rx_FRAME and Tx_FRAME signals indicate the beginning of a set (frame) of data samples. The Rx_FRAME signal can be set to occur once at the beginning of the burst (one high transition only) for each data transfer or to have a rising edge at the beginning of each frame and repeat with a 50% duty cycle until the data transfer is complete. Similarly, Tx_FRAME accepts either format from the BBP.

The transmit data samples are carried in two's complement format, with the first 6-bit byte (P0_D[11:6]) containing the

MSBs and the second 6-bit byte (P0_D[11:6]) containing the LSBs. P0_D[11] is the numerically most significant bit and P0_D[6] is the least significant bit. The receive data samples are also carried in two's complement format, with the first 6-bit byte (P0_D[5:0]) containing the MSB's and the second 6-bit byte (P0_D[5:0]) containing the LSB's. P0_D[5] is the numerically most significant bit and P0_D[0] is the least significant bit. In both cases, the most positive sample value is 0x7FF, with the first byte being 0x1F and the second byte being 0x3F. The most negative value is 0x800, with the first byte being 0x20 and the second byte being 0x00.

In this mode, the I and Q data samples are time-interleaved on the data bus. For a single RF path in each direction (a 1R1T system), the data is carried in a 4-way interleave, as follows:

$$I_{MSB}, Q_{MSB}, I_{LSB}, Q_{LSB}, \dots$$

For a system with two active Rx/Tx channels, the I and Q samples from RF Channel 1 and Channel 2 are carried in an 8-way interleave, as follows:

$$I_1 MSB, Q_1 MSB, I_1 LSB, Q_1 LSB, I_2 MSB, Q_2 MSB, I_2 LSB, Q_2 LSB, \dots$$

For a system with a 2R1T or a 1R2T configuration, the clock frequencies, sample periods, and data capture timing are the same as if configured for a 2R2T system. However, in the path with only a single channel used, the disabled channel's I-Q pair in each data group is unused. These unused slots are ignored by the AD9361. As an example, for a 2R1T system using Transmit Channel 1, the transmit burst would have four unused slots, as follows:

$$I_1 MSB, Q_1 MSB, I_1 LSB, Q_1 LSB, X, X, X, X, \dots$$

The unused X slots can be filled with arbitrary data values by the BBP. Such values can be constant values, or the preceding data sample values can be repeated to reduce the bus-switching factor and, therefore, power consumption.

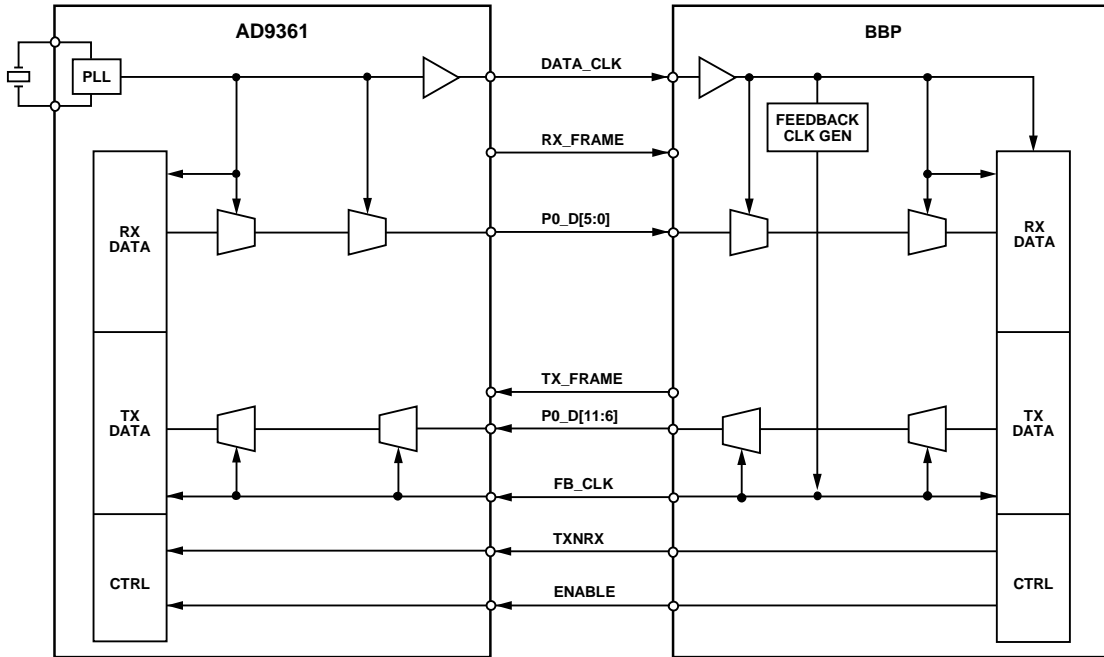


Figure 67. Single Port Full Duplex Mode

1168B-06E

SINGLE PORT FDD FUNCTIONAL TIMING (CMOS)

The timing diagrams in Figure 68 and Figure 69 illustrate the relationship among the bus signals in single port FDD mode. Note that because 2R1T and 1R2T systems follow the 2R2T timing diagrams, they are omitted from Figure 68 and Figure 69.

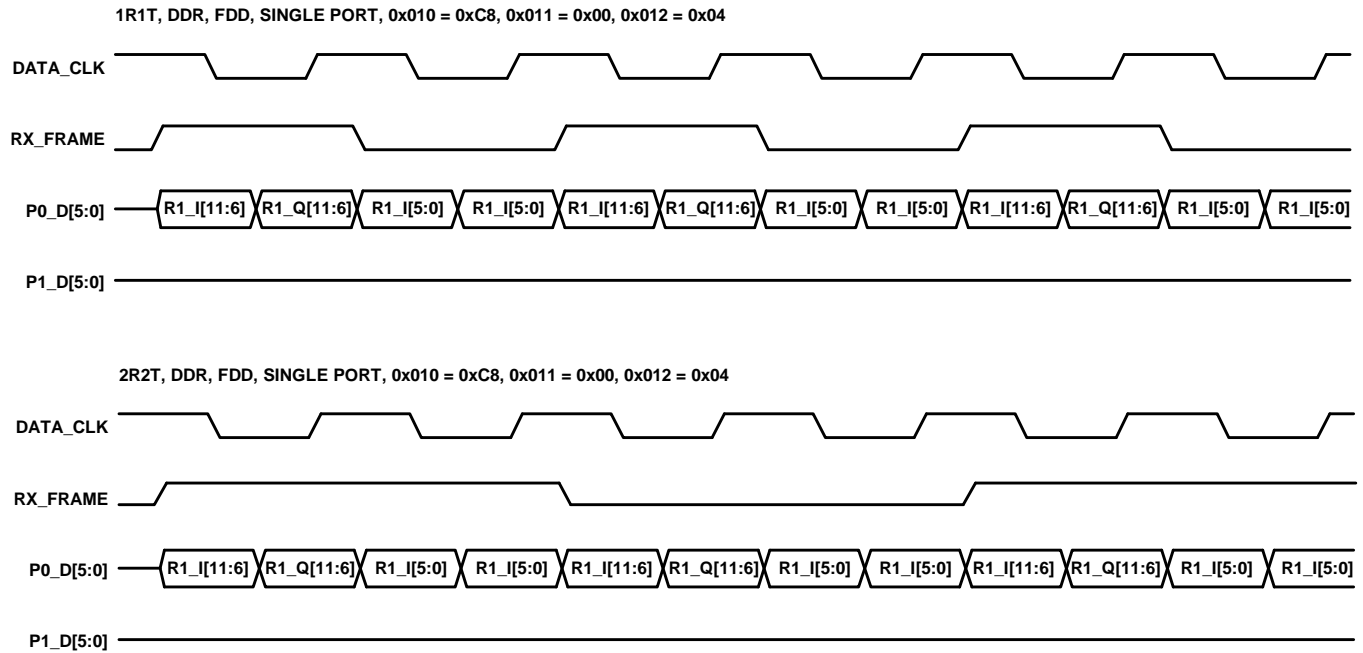


Figure 68. Receive Data Path, Single Port FDD

11688-068

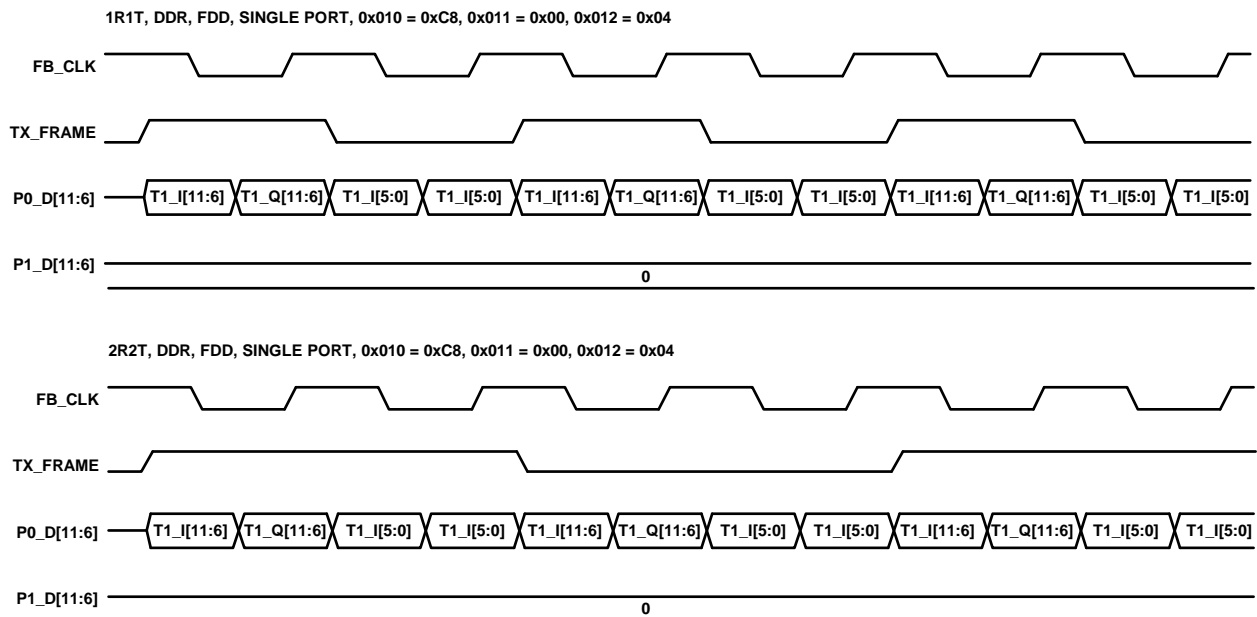


Figure 69. Transmit Data Path, Single Port FDD

11688-070

DUAL PORT HALF DUPLEX MODE (CMOS)

Dual port half duplex mode is used in applications requiring TDD operation and data rates up to 122.88 MHz. In this mode, both data ports are utilized, with P0 assigned to I data and P1 assigned to Q data. The ports operate bidirectionally in this mode, and data direction is determined by which channel is active: transmit or receive. Each bus can be operated as either SDR or DDR in this configuration. This mode can be used with all receiver-transmitter configurations. Figure 70 illustrates the connections between the AD9361 and the BBP for this mode of operation.

During an Rx burst, both ports are driven by the AD9361 such that the setup and hold times between DATA_CLK and each data sample arriving at the BBP enable the BBP to use DATA_CLK to capture the data. A data transfer starts when the ENABLE signal pulses (or goes high), and the end of the data transfer is marked but another pulse on the ENABLE line (or when it returns low).

The direction of data transfer is determined by the TXNRX signal. When this signal is low and the AD9361 is in the FDD state or the Rx state, the ENSM configures the bus in the receive direction (data transferred from AD9361 to BBP). All other states result in the bus being set to high impedance. When TXNRX is driven high, the ENSM changes the bus to the transmit direction (data transferred from BBP to AD9361). During a transmit burst, both ports (P0_D[11:0] and P1_D[11:0]) are driven by the BBP such that the setup and hold times between FB_CLK and each D[11:0] allow the AD9361 to use FB_CLK to capture the data.

The Rx_FRAME and Tx_FRAME signals indicate the beginning of a set (frame) of data samples. The Rx_FRAME signal can be set to occur once at the beginning of the burst (one high transition only) or to have a rising edge at the beginning of each frame and have a 50% duty cycle. Similarly, Tx_FRAME accepts either format from the BBP.

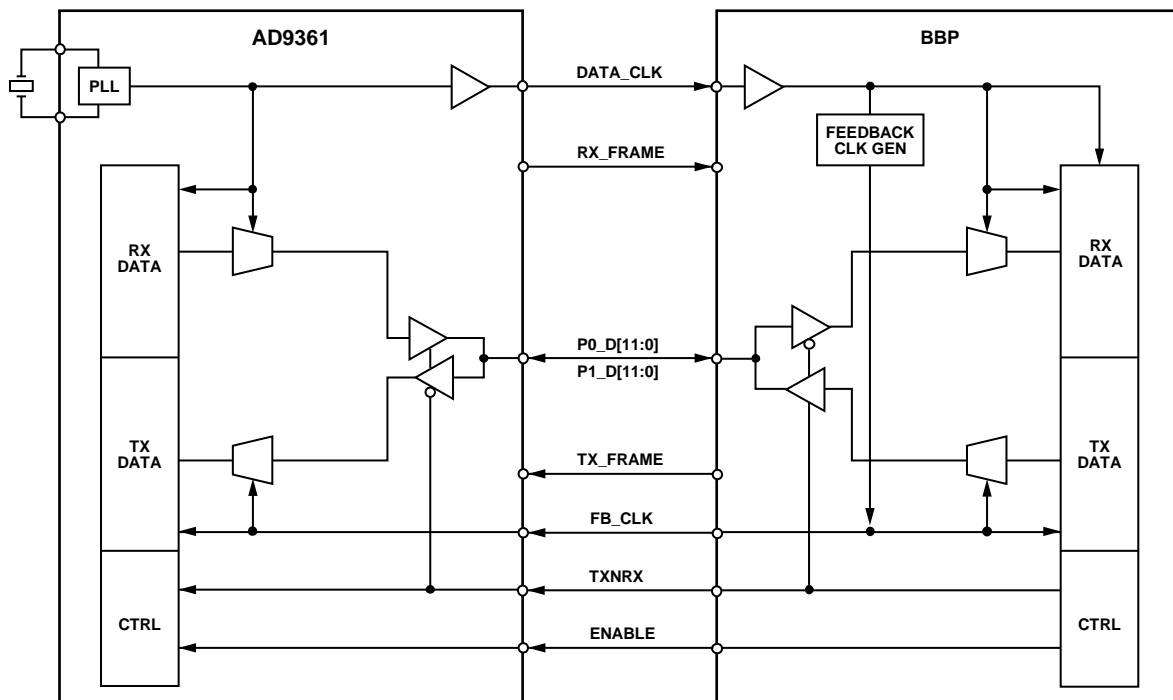


Figure 70. Dual Port TDD Mode

11668-072

The data samples are carried in two's complement format, with D[11] as the numerically most significant bit and D[0] as the least significant bit. The most positive sample value is 0x7FF and the most negative value is 0x800. For a single RF path in each direction (that is, a 1R1T system), the I and Q samples are separated with I data on P0_D[11:0] and Q data on P1_D[11:0] as follows:

- P0: I, I, I, ...
- P1: Q, Q, Q, ...

For a system with two active Rx channels, the I and Q samples from RF Path 1 and RF Path 2 are carried in a 2-way interleave with I samples on P0 and Q samples on P1.

- P0: I₁, I₂, I₁, I₂, ...
- P1: Q₁, Q₂, Q₁, Q₂, ...

For a system with a 2R1T or a 1R2T configuration, the clock frequencies, sample periods, and data capture timing are the same as if configured for a 2R2T system. However, in the path

with only a single channel used, the disabled channel's I-Q pair in each data group is unused. As an example, for a 2R1T system with only the Tx Channel 1 used, the Tx burst would have two unused slots, as follows:

- The AD9361 captures P0: I₁, X, I₁, X, ...
- P1: Q₁, X, Q₁, X, ...

The unused X slots can be filled with arbitrary data values by the BBP. Such values can be either constant values, or the preceding data sample values can be repeated to reduce the bus switching factor and, therefore, power consumption.

DUAL PORT TDD FUNCTIONAL TIMING (CMOS)

The timing diagrams in Figure 71 and Figure 72 illustrate the relationship among the bus signals in dual port TDD mode. Note that because 2R1T and 1R2T systems follow the 2R2T timing diagrams, they are omitted from these Figure 71 and Figure 72.

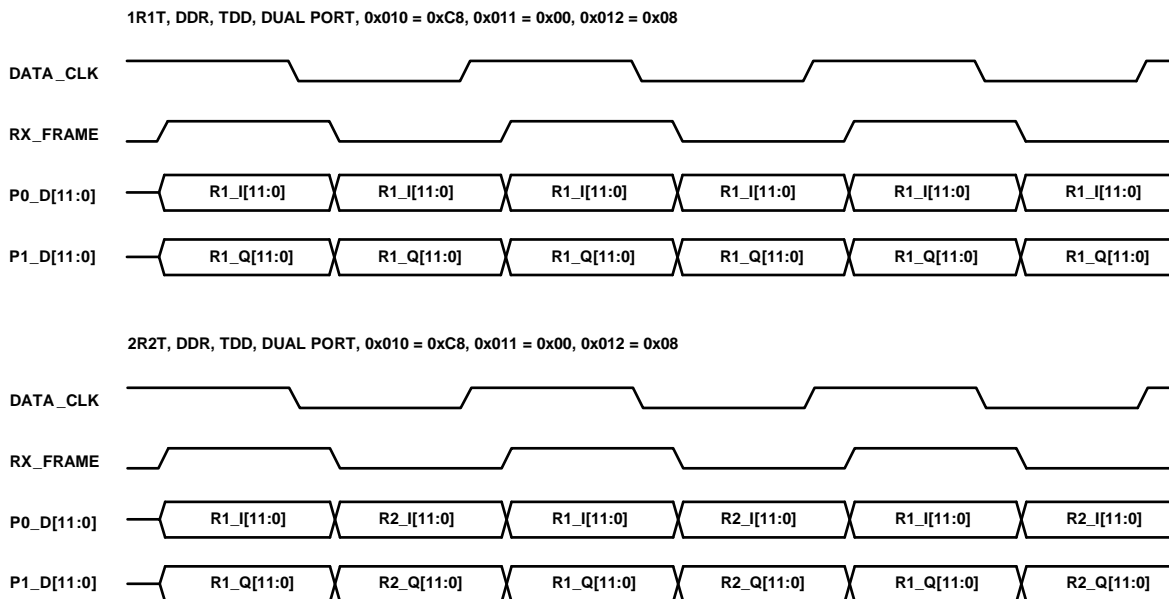


Figure 71. Receiver Data Path, Dual Port TDD

11866-073

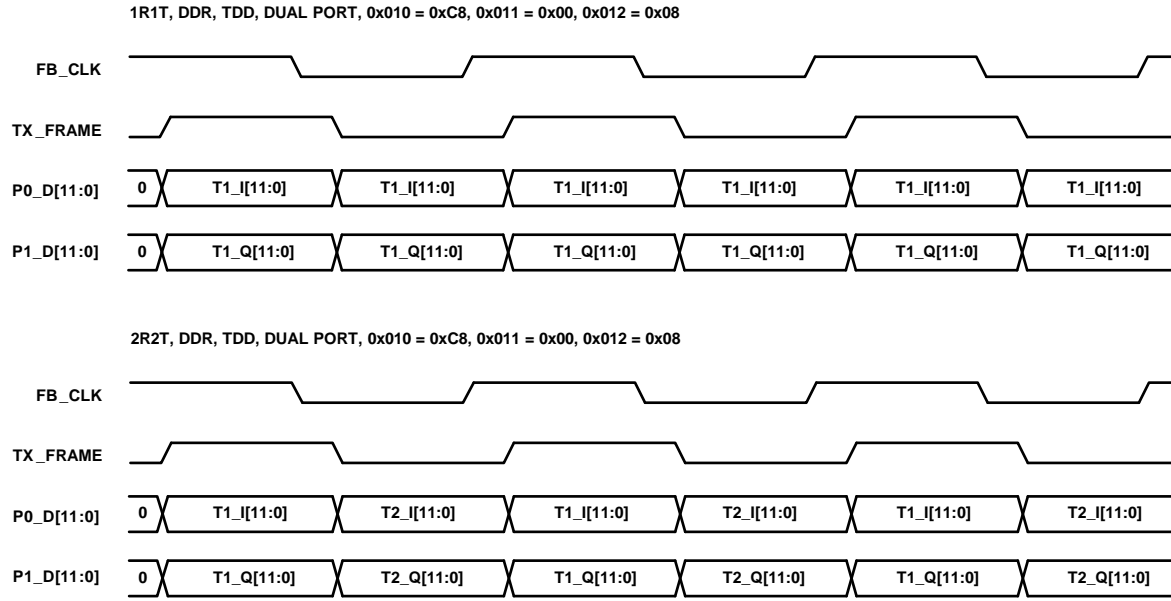


Figure 72. Transmitter Data Path, Dual Port TDD

11688-272

DUAL PORT FULL DUPLEX MODE (CMOS)

Dual port full duplex mode (full port) is used in applications requiring FDD operation and data rates less than 61.44 MHz. In this mode, both data ports are utilized, with P0 assigned to receive data and P1 assigned to transmit data. Each bus operates simultaneously, allowing full duplex transfer of Tx and Rx data between the BBP and the AD9361. For this mode, each data bus must operate at twice the speed of the dual port TDD mode to achieve the same Tx and Rx data rates (as each are running concurrently in full duplex). Each bus can be operated as either SDR or DDR in this configuration. This mode can be used with all receiver-transmitter configurations. Figure 73 illustrates the connections between the AD9361 and the BBP for this mode of operation.

Transmit data is driven on P1_D[11:0] by the BBP such that the setup and hold times between FB_CLK and data allow the AD9361 to use FB_CLK to capture the data. Receive data is driven on P0_D[11:0] by the AD9361 such that the setup and hold times between DATA_CLK and data arriving at the BBP enable the BBP to use DATA_CLK to capture the data. A pulse on the ENABLE pin (or a rising edge) triggers the beginning of data transfer, and another pulse (or falling edge) signifies the end of data transfer.

The Rx_FRAME and Tx_FRAME signals indicate the beginning of a set (frame) of data samples. Rx_FRAME can be set to occur once at the beginning of the burst (one high transition only) for each data transfer, or it can be set to have a rising edge at the beginning of each frame and repeat with a 50% duty cycle until the data transfer is complete. Similarly, Tx_FRAME accepts either format from the BBP.

The Tx data samples are carried in two's complement format. P1_D[11] is the numerically most significant bit and P1_D[0] is the least significant bit. The Rx data samples are also carried in two's complement format. P0_D[11] is the numerically most significant bit and P0_D[0] is the least significant bit. In both cases, the most positive sample value is 0x7FF and the most negative value is 0x800.

The I and Q data samples are carried on the same data bus in each direction. For a single RF path in each direction, the data is carried as follows:

$$P_x: I, Q, I, Q, I, Q, \dots$$

For a system with two Rx/Tx channels, the I and Q samples from RF channels 1 and 2 are carried as follows:

$$P_x: I_1, Q_1, I_2, Q_2, \dots$$

For a system with a 2R1T or a 1R2T configuration, the clock frequencies, sample periods, and data capture timing are the same as when configured for a 2R2T system. However, in the path with only a single channel used, the disabled channel's I-Q pair in each data group is unused. These unused slots are ignored by the AD9361. For example, for a 2R1T system using Tx channel 1, the Tx burst would have two unused slots, as follows:

$$\text{The AD9361 captures } P_1: I_1, Q_1, X, X, \dots$$

The unused X slots may be filled with arbitrary data values by the BBP. Such values could be either constant values, or the preceding data sample values can be repeated to reduce the bus switching factor and, therefore, power consumption.

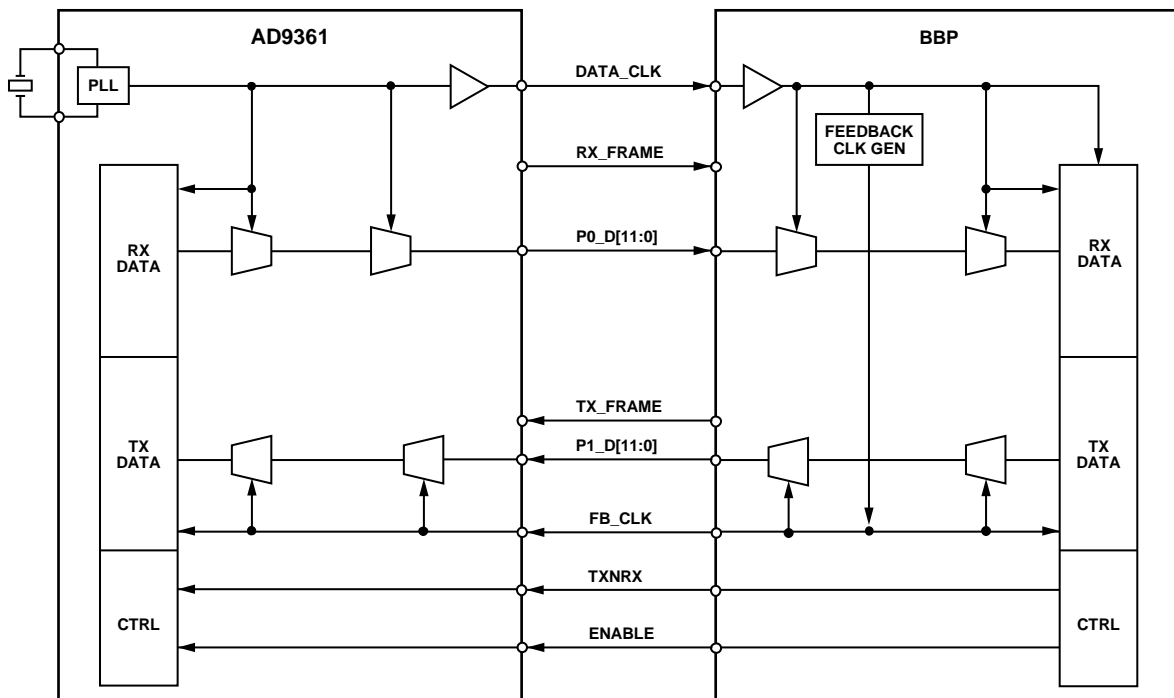


Figure 73. Dual Port Full Duplex Mode (Full Port)

1166B-074

DUAL PORT FDD FUNCTIONAL TIMING (CMOS)

The timing diagrams in Figure 74 and Figure 75 illustrate the relationship among the bus signals in dual port full duplex mode. Note that because 2R1T and 1R2T systems follow the 2R2T timing diagrams, they are omitted from Figure 74 and Figure 75.

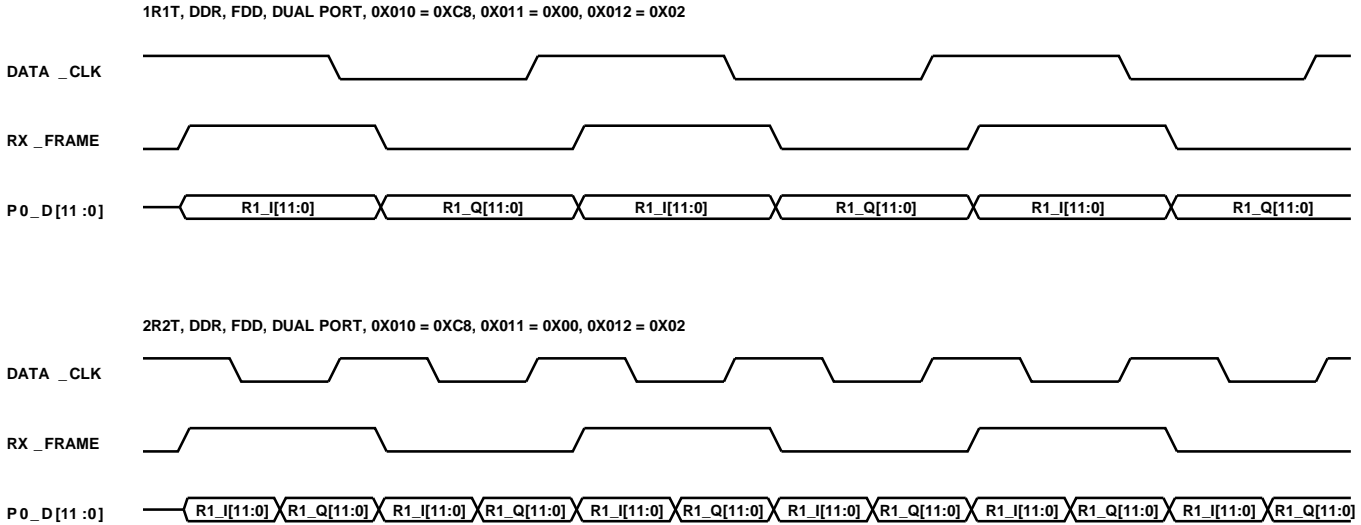


Figure 74. Receiver Data Path, Dual Port FDD (Full Port)

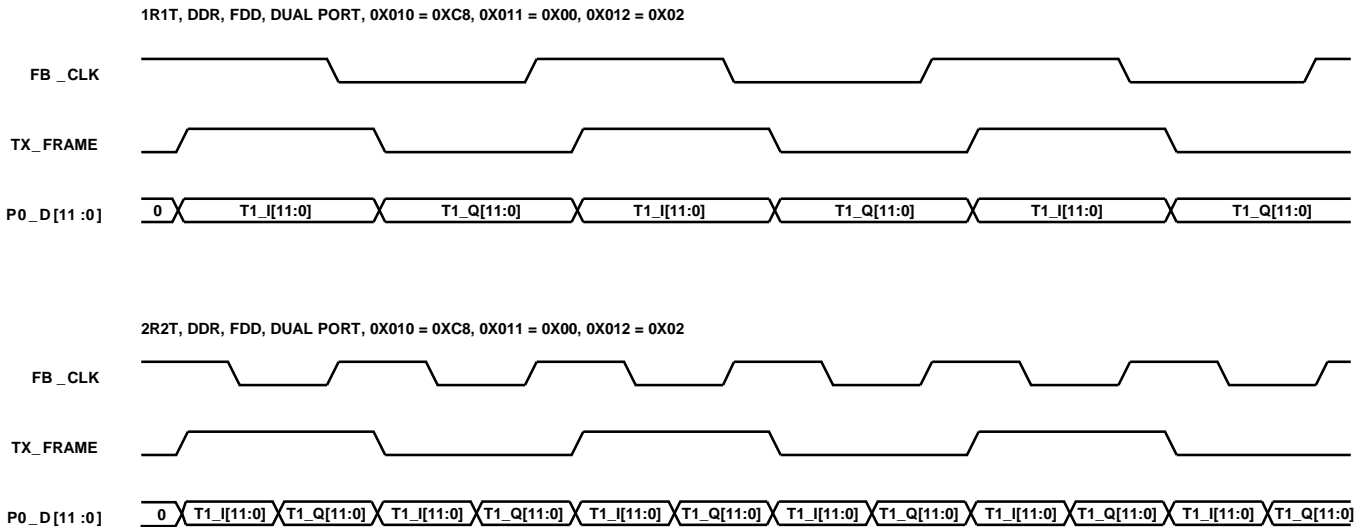


Figure 75. Transmit Data Path, Dual Port FDD (Full Port)

DATA BUS IDLE AND TURNAROUND PERIODS (CMOS)

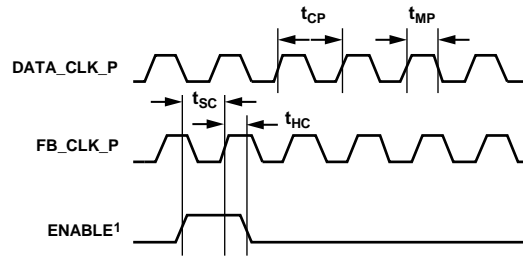
The P0_D[11:0] and P1_D[11:0] bus signals are usually actively driven by the BBP or by the AD9361. During any idle periods, the data bus values are ignored by both components. Both ports, however, must have valid logic levels even if they are unused.

DATA PATH TIMING PARAMETERS (CMOS)

The timing parameters in Table 49 are listed to provide guidance when interfacing the AD9361 to a BBP. Figure 76 shows the relationship between the data clocks and the hardware control inputs. Figure 77 show the relationship among all other parameters.

Table 49. Data Path Timing Constraint Values

Parameter	Min	Typical	Max	Description
t_{CP}	16.276 ns			DATA_CLK cycle time (clock period)
t_{MP}	45% of t_{CP}		55% of t_{CP}	DATA_CLK and FB_CLK high and/or low minimum pulse width (including effects of duty cycle distortion, period jitter, cycle-cycle jitter and half-period jitter)
t_{SC}	1 ns			Control signal setup time to FB_CLK at AD9361 inputs (ENABLE, TXNRX)
t_{HC}	0 ns			Control signal hold time from FB_CLK at AD9361 inputs (ENABLE, TXNRX)
t_{STX}	1 ns			Tx data setup time to FB_CLK at AD9361 inputs
t_{HTX}	0 ns			Tx data hold time from FB_CLK at AD9361 inputs
t_{DDRx}	0 ns		1.5 ns	Rx data delay from DATA_CLK to D[11:0] outputs – 1.8 V supply
			1.2 ns	Rx data delay from DATA_CLK to D[11:0] outputs – 2.5 V supply
t_{DDDV}	0 ns		1.0 ns	Rx data delay from DATA_CLK to Rx_FRAME
t_{ENPW}	t_{CP}			ENABLE pulse width (edge-detected by FB_CLK)
$t_{TXNRXPW}$	t_{CP}			TXNRX pulse width (edge-detected by FB_CLK)
$t_{TXNRXSU}$	0 ns			TXNRX setup time to ENABLE
t_{RPRE}	$2 \times t_{CP}$			Time at which BBP stops driving D[11:0] before a receive burst, TDD
t_{RPST}	$2 \times t_{CP}$			Time at which BBP starts driving D[11:0] after a receive burst, TDD



¹THE SAME TIMING RULES APPLY TO TXNRX.

11666-077

Figure 76. Data Port Timing Parameter Diagrams – Data Reference Clocks and Hardware Control Inputs (CMOS Bus Configuration)

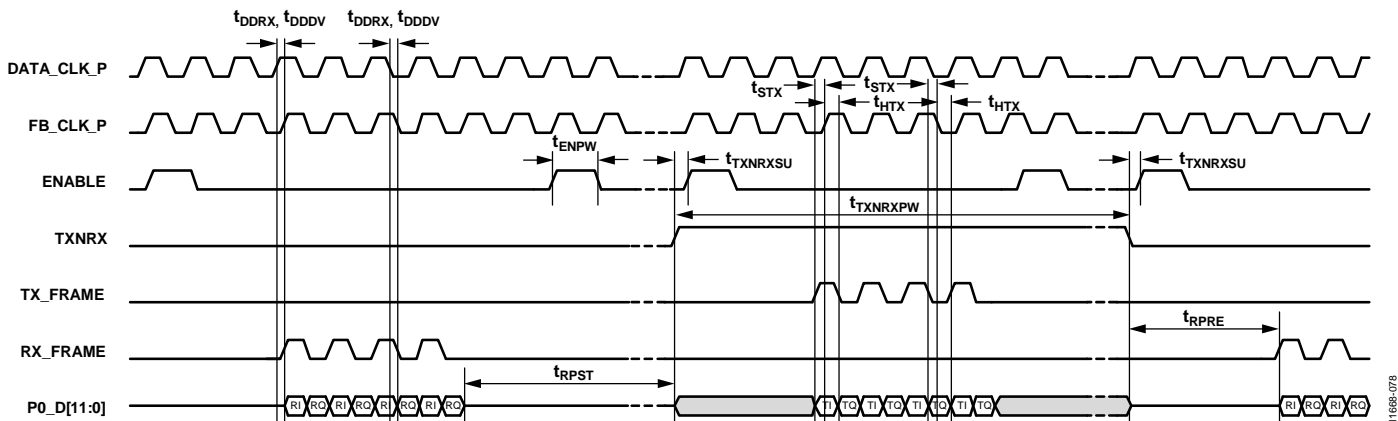


Figure 77. Data Port Timing Parameter Diagrams – CMOS Bus Configuration (Example shown is Single Port, DDR, TDD Operation)

11666-078

LVDS MODE DATA PATH AND CLOCK SIGNALS

The following information describes operation of the AD9361 data path in low voltage differential signal (LVDS) mode (ANSI-644 compatible). The AD9361 data path interface uses parallel data buses (P0 and P1) to transfer data samples between the AD9361 and the BBP. The bus transfers are controlled using simple hardware handshake signaling. In LVDS mode, both buses are used with differential LVDS signaling.

The AD9361 LVDS interface facilitates connecting to custom ASICs and FPGAs that have LVDS capability. LVDS interfaces are typically used when a system needs superior switching performance in noisy environments and higher data rates than a standard CMOS interface can provide. When utilizing LVDS mode, it is recommended to keep all trace lengths no longer than 12 inches and to keep differential traces close together and at equal lengths.

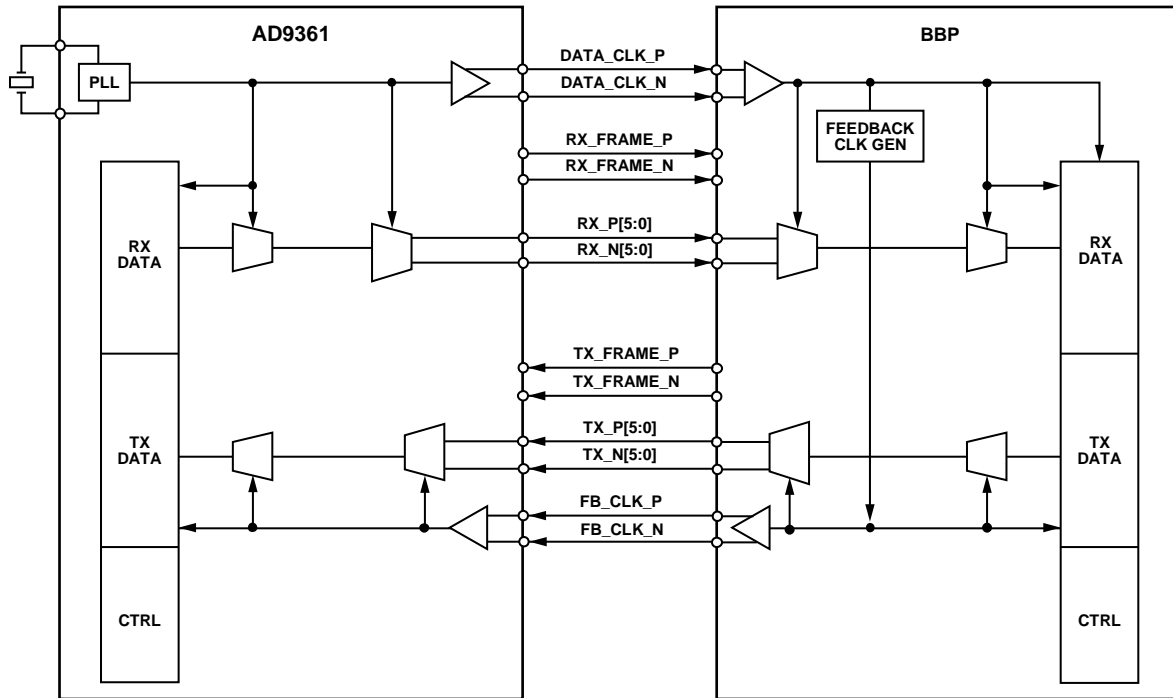


Figure 78. AD9361 Data Path, LVDS Mode

LVDS MODE DATA PATH SIGNALS

The data path interface consists of the following signals.

DATA_CLK

DATA_CLK is a differential LVDS signal generated in the AD9361 and provided to the BBP as a master clock for the Rx data path. The BBP uses this master clock as the timing reference for the interface data transfers and for the baseband processing of the data samples. DATA_CLK provides source-synchronous timing with DDR operation for the Rx_D[5:0] signals during receive operation. SDR is not available in LVDS mode.

The frequency of DATA_CLK depends on the system architecture (number of RF channels, degree of oversampling and BW mode). This frequency is set via SPI writes to the AD9361.

DATA_CLK can be stopped by the AD9361 (in response to a SPI transaction from the BBP) during interface idle periods to reduce power consumption. If DATA_CLK is disabled, the transition to and from the nontoggling state must obey the electrical layer requirements for clean signal transitions, and a valid level must be driven by the AD9361 at all times.

FB_CLK

FB_CLK is a differential LVDS signal driven from the BBP and is a feedback (loop back) version of DATA_CLK. FB_CLK provides source-synchronous timing with dual edge capture for Tx_D[5:0] signals during Tx bursts.

FB_CLK can be stopped by the BBP during interface idle periods to reduce power consumption. If so, the transitions to and from the nontoggling state must obey the electrical layer requirements for clean signal transitions, and a valid level must be driven by the BBP at all times.

Rx_FRAME

Rx_FRAME is a differential LVDS signal driven from the AD9361 and provided to the BBP to frame the data samples provided by the AD9361. A high transition indicates the beginning of the frame. Rx_FRAME can be set to be a single high transition at the beginning of a burst and stay high throughout the burst, or it can be set to be a pulse train that has a rising edge at the beginning of each frame (50% duty cycle).

Rx_D[5:0]

Rx_D[5:0] is a differential LVDS data bus consisting of six differential pairs. It is driven from the AD9361 to the BBP with received data. Data is transmitted on this bus in pairs of data words to create a 12-bit data bus.

Tx_FRAME

Tx_FRAME is a differential LVDS signal driven from the BBP and provided to the AD9361 to frame the data samples provided by the BBP. A high transition indicates the beginning of the frame. Tx_FRAME can accept a single high transition at the beginning of a burst that stays high throughout the burst or a pulse train that has a rising edge at the beginning of each frame (50% duty cycle).

The AD9361 transmits null data (all zeros) until the first Tx_FRAME indicates valid data. This is a useful feature when the Tx path completes a transmit operation in FDD independent mode and the data path is not automatically flushed. In this case, the TX_FRAME pin can be held low to complete the data flushing operation. See the Enable State Machine Guide section for more details.

Note that both Rx_FRAME and Tx_FRAME are required signals for the interface to function properly.

Tx_D[5:0]

Tx_D[5:0] is a differential LVDS data bus consisting of six differential pairs. It is driven from the BBP to the AD9361 with data to be output through the transmitter. Data is transmitted on this bus in pairs of data words to create a 12-bit data bus.

ENABLE

ENABLE is driven from the BBP to the AD9361 to provide data transfer burst control (along with TXNRX) in TDD mode. ENABLE is asserted by the BBP for a minimum of a single DATA_CLK cycle to indicate the start of each burst. It is subsequently asserted a second time for a minimum of a single DATA_CLK cycle to indicate the end of each burst.

The AD9361 internally tracks the sequence of ENABLE pulses to interpret each pulse correctly as either the start or finish of each burst. The ENABLE signal can also be configured in level mode, in which the state of the signal (not pulses) determines when the ENSM moves between states. In LVDS mode, the data ports are always active. In TDD mode, both the BBP and the AD9361 ignore data in the inactive direction. The start and finish latencies (between the ENABLE pulses being sampled by the AD9361 and the presence of the first and last valid data samples on the bus) vary depending on data path configuration. The Rx_FRAME and Tx_FRAME signals are used to determine valid data by the BBP and the AD9361, respectively. The FB_CLK signal is used to sample this input.

In FDD mode, the ENABLE signal serves as the single control input to determine the state of the ENSM. There is also an alternative FDD mode in which the ENABLE signal can be redefined as RxON, a direct hardware control input to the ENSM that controls the Rx function. In this mode (called FDD independent control mode), the BBP independently controls the Rx function, which can result in power consumption savings.

TXNRX

TXNRX is driven from the BBP to the AD9361 and provides data transfer burst control (along with ENABLE) when the ENSM is in TDD mode. When ENABLE is sampled high by the AD9361 to start a burst, the level on TXNRX is also sampled to determine the data direction. In TDD mode, TXNRX sampled high indicates a transmit burst and TXNRX sampled low indicates a receive burst.

The TXNRX signal level must be maintained throughout a data transfer burst (a valid logic level). The TXNRX signal may be established any number of cycles (≥ 0) before the ENABLE start pulse is sampled, and it may be changed any number of cycles (≥ 0) after the ENABLE finish pulse is sampled. It is important to note that the TXNRX signal should only change state while the ENSM is in the ALERT state because the TXNRX rising and falling edges power-up and power-down the corresponding synthesizers directly in TDD mode.

In normal FDD mode, the TXNRX signal is ignored but must be held at a valid logic level. There is also an alternative FDD

mode in which the TXNRX signal can be redefined as TxON, a direct hardware control input to the ENSM that controls the Tx function. In this mode (called FDD independent control mode), the BBP independently controls the Tx function, which can result in power consumption savings.

LVDS MAXIMUM CLOCK RATES AND SIGNAL BANDWIDTHS

The data listed in Table 50 compares the maximum data clock rates and signal bandwidths in the different allowable operating modes for the LVDS data bus configuration. Maximum RF bandwidths are listed for two cases: sampling using the minimum sample rate that avoids aliasing, and sampling using $2\times$ oversampling. Details of each mode are given in subsequent sections. The maximum DATA_CLK rate is increased to 245.76 MHz in LVDS mode. This clock and the 56 MHz maximum analog filter bandwidth limit RF channel signal bandwidth. Note that the data bus timing is identical for TDD and FDD modes because each path (transmit and receive) has a dedicated bus.

Table 50. Maximum LVDS Data Rates and Signal Bandwidths

Operating Mode	1R1T Configurations			1R2T/2R1T/2R2T Configurations		
	Maximum Data Rate - Combined I and Q Words (MSPS)	Maximum RF Channel Signal Bandwidth (MHz)		Maximum Data Rate—Combined I and Q Words	Maximum RF Channel Signal Bandwidth (MHz) per Channel	
		Using Minimum Sample Frequency	Using $2\times$ Oversampling		Using Minimum Sample Frequency	Using $2\times$ Oversampling
Dual Port Full Duplex	61.44	56 ¹	56 ¹	61.44	56 ¹	30.72

¹ Limited by the analog filter bandwidth.

DUAL PORT FULL DUPLEX MODE (LVDS)

Dual bus full duplex LVDS mode is enabled by writing a SPI register. In this mode, both P0 and P1 are enabled as LVDS signals and the data buses (D[11:0]) are split into separate sub-buses (Rx_D[5:0] and Tx_D[5:0]). Each sub-bus operates simultaneously allowing full duplex of transmit and receive data between the BBP and the [AD9361](#).

Transmit data (Tx_D[5:0]), FB_CLK, and Tx_FRAME are driven by the BBP such that the setup and hold times between FB_CLK, Tx_D[5:0] and Tx_FRAME allow the [AD9361](#) to use FB_CLK to capture Tx_D[5:0] and Tx_FRAME. The data samples on the Tx_D[5:0] bus are framed by the Tx_FRAME signal as shown in the timing diagrams. The transmit data samples are carried in two's complement format, with the first 6-bit word in each data packet containing the MSB's and the second 6-bit word containing the LSB's. The most positive sample value is 0x7FF, with the first word being 0x1F and the second word being 0x3F, and the most negative value is 0x800, with the first word being 0x20 and the second word being 0x00. Tx_D[5] is the most significant bit and Tx_D[0] is the least significant bit in each word.

Receive data (Rx_D[5:0]), DATA_CLK, and Rx_FRAME are driven by the [AD9361](#) such that the setup and hold times between DATA_CLK, Rx_D[5:0] and Rx_FRAME allow the BBP to use DATA_CLK to capture Rx_D[5:0] and Rx_FRAME. The data samples on the Rx_D[5:0] bus are framed by the Rx_FRAME signal as shown in the timing diagrams. The receive data samples are carried in two's complement format, with the first 6-bit word in each data packet containing the MSBs and the second 6-bit word containing the LSBs. This means the most positive sample value is 0x7FF, with the first word being 0x1F and the second word being 0x3F, and the most negative value is 0x800, with the first word being 0x20 and the second word being 0x00. Rx_D[5] is the most significant bit and D[0] as the least significant bit in each word.

Note that, like in CMOS mode, FB_CLK must be generated from DATA_CLK so that it retains the same frequency and duty cycle. There is no phase relationship requirement between the two clock signals.

As mentioned previously, the I and Q data samples are time-interleaved on each data bus. For a 1R1T system, the I and Q samples are carried in a 4-way interleave:

$$I_{MSB}, Q_{MSB}, I_{LSB}, Q_{LSB}, \dots$$

For this case, the Tx_FRAME and Rx_FRAME signals are coincident with data switching. Each is in a high state for I_{MSB} and Q_{MSB} and a low state for I_{LSB} and Q_{LSB} when 50% duty cycle framing is enabled. These signals then switch high again with I_{MSB} to indicate the start of a new frame.

For a 2R2T system, the I and Q samples from RF path 1 and 2 are carried in an 8-way interleave:

$$I_{1MSB}, Q_{1MSB}, I_{1LSB}, Q_{1LSB}, I_{2MSB}, Q_{2MSB}, I_{2LSB}, Q_{2LSB}, \dots$$

For this case, the Tx_FRAME and Rx_FRAME signals are coincident with data switching. Each is in a high state for I_{1MSB} , Q_{1MSB} , I_{1LSB} , Q_{1LSB} and a low state for I_{2MSB} , Q_{2MSB} , I_{2LSB} and Q_{2LSB} when 50% duty cycle framing is enabled. These signals then switch high again with I_{MSB} to indicate the start of a new frame.

For a system with a 2R1T or a 1R2T configuration, the clock frequencies, bus transfer rates and sample periods, and data capture timing are the same as if configured for a 2R2T system. However, in the path with only a single channel used, the disabled channel's I-Q pair in each data group is unused. These unused slots are ignored by the [AD9361](#). As an example, for a 2R1T system using Tx channel 1, the transmit burst would have four unused slots:

$$I_{1MSB}, Q_{1MSB}, I_{1LSB}, Q_{1LSB}, X, X, X, X, \dots$$

For this case, the Tx_FRAME and Rx_FRAME are coincident with data switching and high for I_{MSB} , Q_{MSB} , I_{LSB} , Q_{LSB} and then low for unused slots. These signals then switch high again with I_{MSB} to indicate the start of a new frame. The unused X slots may be filled with arbitrary data values by the BBP. Such values could be either constant values, or the preceding data sample values can be repeated to reduce the bus switching factor and, therefore, power consumption.

DATA PATH FUNCTIONAL TIMING (LVDS)

The timing diagrams in Figure 79 and Figure 80 illustrate the relationship among the bus signals in dual port FDD LVDS mode. The differential data in the timing diagrams are drawn with solid and dashed lines to illustrate the differential nature of the data lines. Solid lines for the positive leg match solid lines for the negative leg of the differential pair, and dashed lines for the positive leg pair with dashed lines for the negative leg. Note that because 2R1T and 1R2T systems follow the 2R2T timing diagrams, they are omitted from Figure 79 and Figure 80.

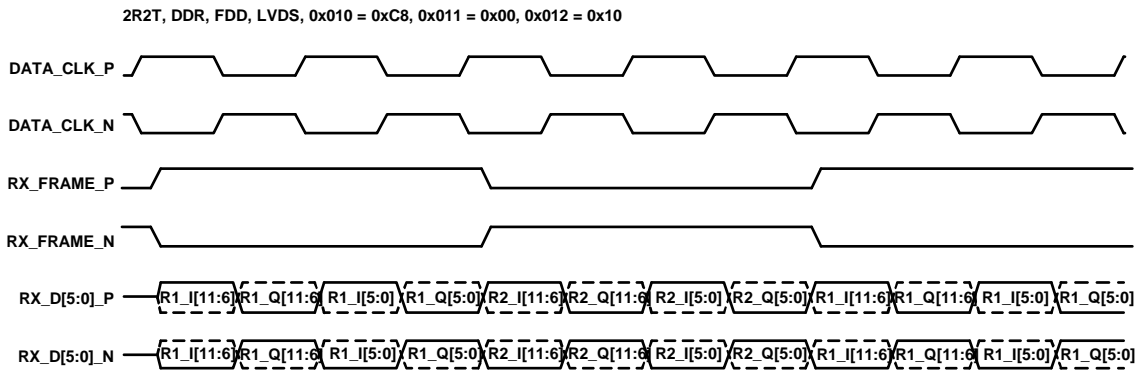
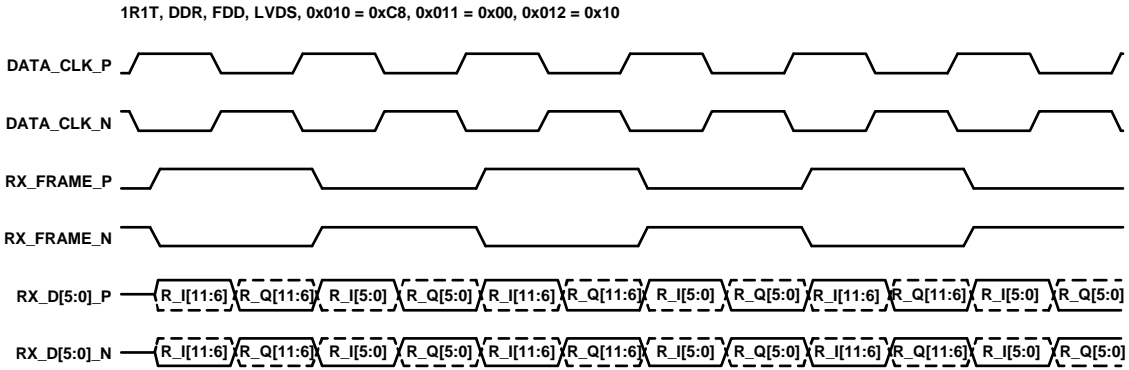


Figure 79. Receive Data Path, LVDS

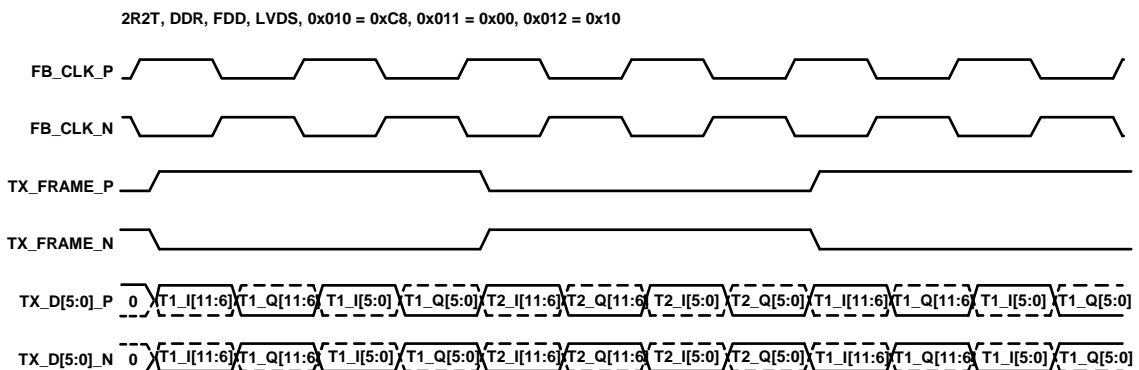
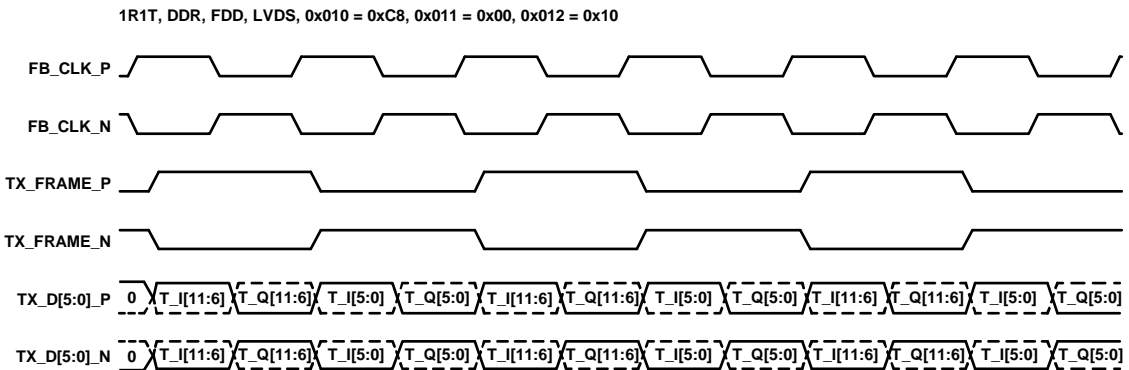


Figure 80. Transmit Data Path, LVDS

The following bits are not supported in LVDS mode:

- Swap Ports—In LVDS mode, P0 is Tx and P1 is Rx. This configuration cannot be changed.
- Single Port Mode—Both ports are enabled in LVDS mode.
- FDD Full Port—Not supported in LVDS.
- FDD Alt Word Order—Not supported in LVDS.
- FDD Swap Bits—Not supported in LVDS.

DATA PATH TIMING PARAMETERS (LVDS)

Table 51 lists the timing constraints for the LVDS data buses.

Table 51. Data Path Timing Constraint Values—LVDS Mode

Parameter	Min	Typ	Max	Description
t _{CP}	4.069 ns			DATA_CLK cycle time (clock period)
t _{MP}	45% of t _{CP}		55% of t _{CP}	DATA_CLK and FB_CLK high and/or low minimum pulse width (including effects of duty cycle distortion, period jitter, cycle-cycle jitter and half-period jitter)
t _{STx}	1 ns			Tx_D[5:0], Tx_FRAME setup time to FB_CLK falling edge at AD9361 inputs
t _{HTx}	0 ns			Tx_D[5:0], Tx_FRAME hold time from FB_CLK falling edge at AD9361 inputs
t _{DDRx}	0.25 ns		1.25 ns	Delay from DATA_CLK to Rx_D[5:0] outputs
t _{DDV}	0.25 ns		1.25 ns	Delay from DATA_CLK to Rx_FRAME

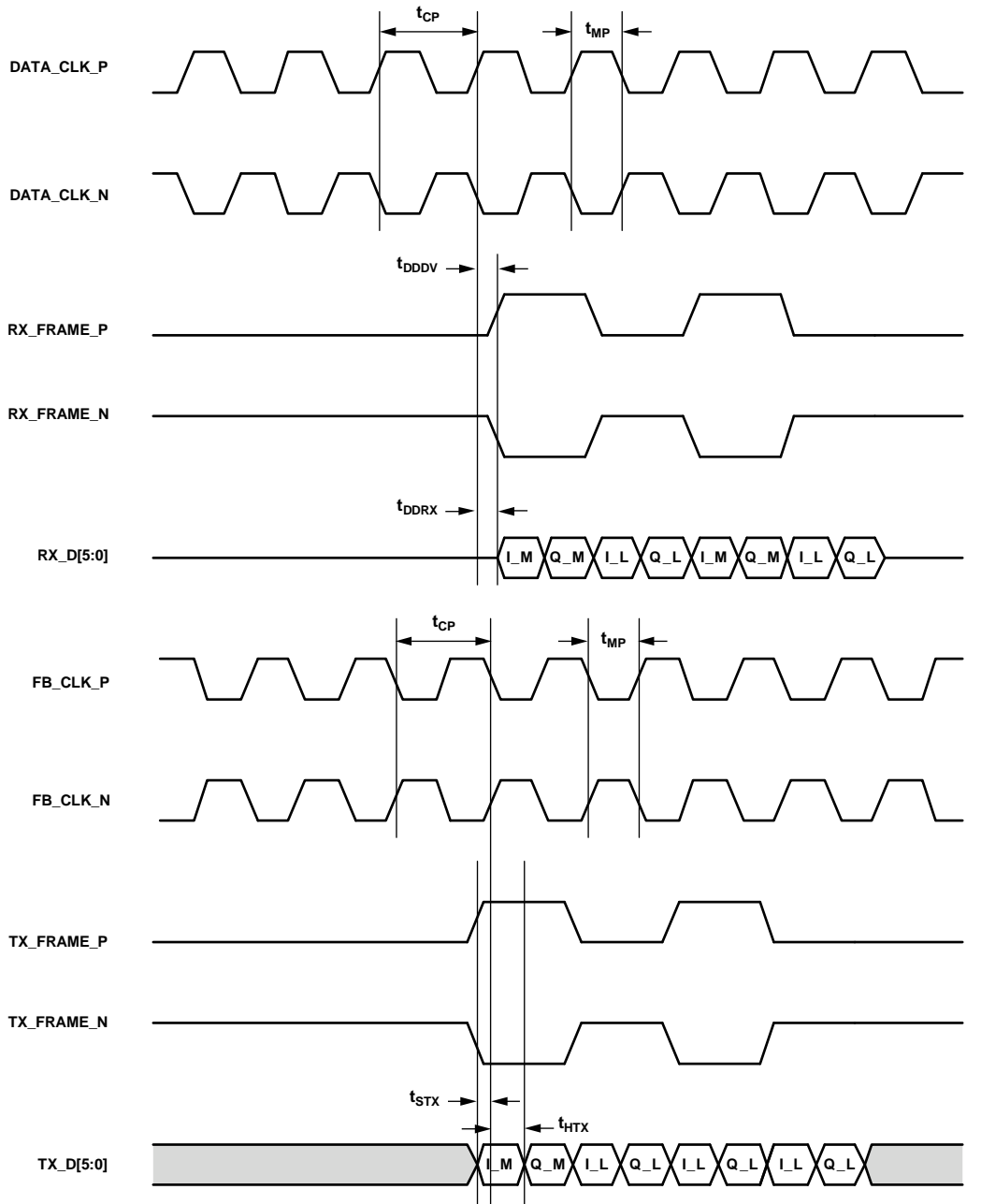


Figure 81. Data Port Timing Parameter Diagrams—LVDS Bus Configuration

11668-02

SERIAL PERIPHERAL INTERFACE (SPI)

The SPI bus provides the mechanism for all digital control of the AD9361. Each SPI register is 8-bit wide, and each register contains control bits, status monitors, or other settings that control all functions of the device. The following sections explain the specifics of this interface.

SPI Functional Layer

The SPI bus can be configured by setting the bit values in the SPI Configuration register. This register is symmetrical; that is, D6 is equivalent to D1, and D5 is equivalent to D2 (D4 and D3 are unused). The device powers up in its default mode (MSB-first addressing), but can accept an LSB-first write to the SPI Configuration register because of this symmetry. The symmetrical bits are ORed together, so setting one bit sets both in the pair. The bit order is MSB-first when D5 and D2 are left clear, while bit order is swapped to LSB-first when these bits are set. Once properly configured, all subsequent register writes must follow the selected format.

The bus is configured as a 4-wire interface by default. If Bit D6 and Bit D1 are set, the SPI bus is configured as a 3-wire interface. Bit D7 and Bit D0 asynchronously reset all registers to their default values when set, and these bits must be cleared before other registers can be changed.

Each SPI bus signal is described in the following sections.

SPI_ENB

SPI_ENB is the bus enable signal driven from the BBP to the AD9361. SPI_ENB is driven low before the first SPI_CLK rising edge and is normally driven high again after the last SPI_CLK falling edge. The AD9361 ignores the clock and data signals while SPI_ENB is high. If the AD9361 is the only device on the SPI bus, SPI_ENB can be tied low.

The SPI_DO and SPI_DI pins transition to a high impedance state when this input is high. If driven high during any communications cycle, that cycle is suspended until SPI_ENB is reactivated low.

SPI_CLK

SPI_CLK is the interface reference clock driven by the BBP to the AD9361. It is only active while SPI_ENB is low. The maximum SPI_CLK frequency is 50 MHz.

SPI_DI, SPI_DO and SPI_DIO

When configured as a 4-wire bus, the SPI utilizes two data signals: SPI_DI and SPI_DO. SPI_DI is the data input line driven from the BBP to the AD9361 and SPI_DO is the data output from the AD9361 to the BBP in this configuration. When configured as a 3-wire bus, SP_DI is used as a bidirectional data signal that both receives and transmits serial data. In 3-wire configuration, this signal is referred to as SP_DIO in this section to distinguish between the two configurations.

The data signals are launched on the rising edge of SPI_CLK and sampled on the falling edge of SPI_CLK by both the BBP and the AD9361. SPI_DI (or SPI_DIO) carries the control field from BBP to the AD9361 during all transactions and the write data fields during a write transaction. SPI_DO (or SPI_DIO) carries the returning read data fields from the AD9361 to BBP during a read transaction.

The AD9361 does not provide any weak pull-ups or pull-downs on these pins. When SPI_DO is inactive, it is floated in a high impedance state. If a valid logic state on SPI_DO is required at all times, an external weak pull-up/pull-down should be added on the PCB.

SPI Data Transfer Protocol

The AD9361 SPI is a flexible, synchronous serial communications bus allowing seamless interfacing to many industry standard microcontrollers and microprocessors. The serial I/O is compatible with most synchronous transfer formats, including both the Motorola SPI and Intel® SSR protocols. The control field width for the AD9361 is limited to 16-bit only, and multibyte IO operation is allowed. The AD9361 cannot be used to control other devices on the bus—it only operates as a slave.

There are two phases to a communication cycle. Phase 1 is the control cycle, which is the writing of a control word into the AD9361. The control word provides the AD9361 serial port controller with information regarding the data field transfer cycle, which is Phase 2 of the communication cycle. The Phase 1 control field defines whether the upcoming data transfer is read or write. It also defines the register address being accessed.

Phase 1 Instruction Format

The 16-bit control field contains the following information:

MSB	D14	D13	D12	D11	D10	D9:D0
W/Rb	NB2	NB1	NB0	X	X	A[9:0]

W/Rb—Bit 15 of the instruction word determines whether a read or write data transfer occurs after the instruction byte write. Logic high indicates a write operation; logic zero indicates a read operation.

NB2, NB1, NB0—Bits [14:12] of the instruction word specify the number of bytes transferred during Phase 2 of the IO operation. Table 52 details the number of bytes transferred during Phase 2 for each NB[2:0] combination.

Table 52.

NB2, NB1, NB0	Description
000	Transfer 1 byte
001	Transfer 2 bytes
010	Transfer 3 bytes
011	Transfer 4 bytes
100	Transfer 5 bytes
101	Transfer 6 bytes
110	Transfer 7 bytes
111	Transfer 8 bytes

[D11:D10]—Bits[11:10] of the instruction word are unused.

[D9:D0]—Bits[9:0] specify the starting byte address for the data transfer during Phase 2 of the IO operation.

All byte addresses, both starting and internally generated addresses, are assumed to be valid. That is, if an invalid address (undefined register) is accessed, the IO operation continues as if the address space were valid. For write operations, the written bits are discarded, and read operations result in logic zeros at the output.

Single-Byte Data Transfer

When NB2, NB1, and NB0 are all zero, a single-byte data transfer is selected. In this scenario, the next eight bits to follow the address bits contain the data being written to or read from the AD9361 register. Once the final bit is transferred, the data signals return to their idle states and the SPI_ENB signal goes high to end the communication session.

Multi-Byte Data Transfer

When NB2, NB1, and NB0 are all nonzero, a multibyte data transfer is selected. The format and ordering of the data to be transferred in this mode depend on whether the device is configured for LSB-first or MSB-first data transfer.

For multibyte data transfers in LSB mode, the user writes an instruction byte that includes the register address of the least significant byte. The SPI internal byte address generator increments for each byte required in the multibyte communication cycle. Data is written in least to most significant order as the byte addresses are also generated in least to most significant order.

For multi-byte data transfers in MSB mode, the user writes an instruction word that includes the register address of the most significant byte. The serial port internal byte address generator decrements for each byte required by the multibyte communication cycle. Data is written in most to least significant order as the byte addresses are generated in most to least significant order.

Example: MSB-First Multibyte Transfer

To complete a 4-byte write, starting at Register 0x02A in MSB first format, apply an instruction word of 1_011_000000101010 (binary). This instruction directs the AD9361 SPI controller to perform a write transfer of four bytes with the starting byte address of 0x02A. After the first data byte is written, the internal byte address generation logic decrements to 0x029, which is the destination of the second byte. After the second byte is written, the internal byte address generation logic decrements to 0x028, which is the destination of the third byte. After the third byte is written, the internal byte address generation logic decrements to 0x027, which is the destination of the last byte. After the fourth byte is written, the IO communication cycle is complete and the next 16 falling clock cycles on SPI_CLK are utilized to clock in the next instruction word. If no further communication is needed, the data signals return to their idle states, SPI_CLK goes low, and the SPI_ENB signal goes high to end the communication session.

Example: LSB-First Multibyte Transfer

To complete a 4-byte write, starting at register 0x02A in LSB first format, apply an instruction word of 010101000000_110_1 (binary). This instruction directs the AD9361 SPI controller to perform a write transfer of four bytes with the starting byte address of 0x02A. After the first data byte is written, the internal byte address generation logic increments to 0x02B, which is the destination of the second byte. After the second byte is written, the internal byte address generation logic increments to 0x02C, which is the destination of the third byte. After the third byte is written, the internal byte address generation logic increments to 0x02D, which is the destination of the last byte. After the fourth byte is written, the IO communication cycle is complete and the next 16 falling clock cycles on SPI_CLK are utilized to clock in the next instruction word. If no further communication is needed, the data signals return to their idle states, SPI_CLK goes low, and the SPI_ENB signal goes high to end the communication session.

Timing Diagrams

The following diagrams in Figure 82 and Figure 83 detail the SPI bus waveforms for a single-register write operation and a single-register read operation, respectively. In the first figure, the value 0x55 is written to Register 0x15A. In the second value, Register 0x15A is read and the value returned by the device is 0x55. If the same operations were performed with a 3-wire bus, the SPI_DO line in Figure 82 would be eliminated, and the SPI_DI and SPI_DO lines in Figure 83 would be combined on the SPI_DI line.

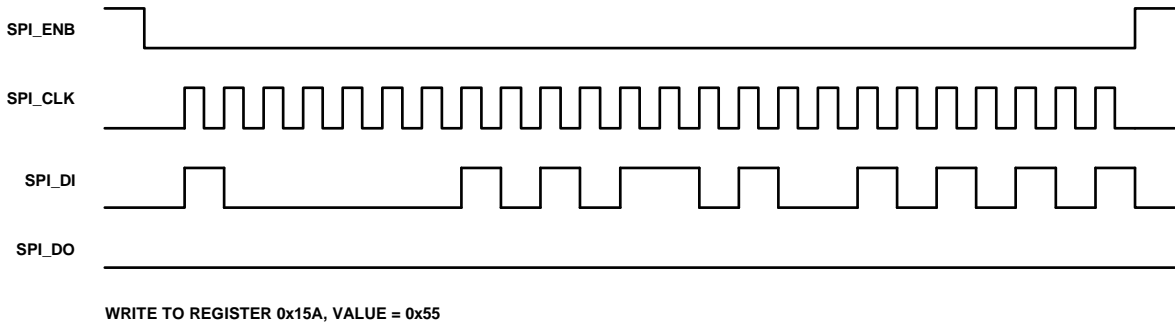


Figure 82. Nominal Timing Diagram, SPI Write

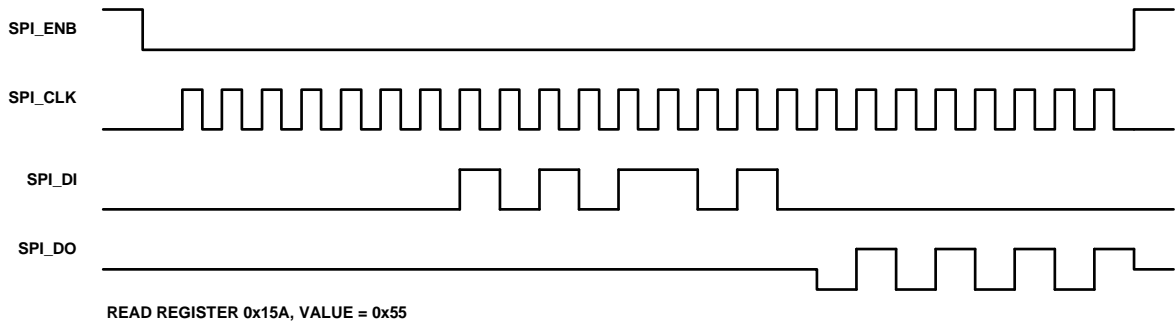


Figure 83. Nominal Timing Diagram, SPI Read

Table 53 lists the timing specifications for the SPI bus. The relationship between these parameters is shown in Figure 84. This diagram shows a 3-wire SPI bus timing diagram with these parameters marked. Note that this is a single read operation, so the bus-ready parameter after the data is driven from the AD9361 is not shown in the diagram.

Table 53. SPI Bus Timing Constraint Values

Parameter	Min	Typ	Max	Description
t_{CP}	20 ns			SPI_CLK cycle time (clock period)
t_{MP}	9 ns			SPI_CLK pulse width
t_{SC}	1 ns			SPI_ENB setup time to first SPI_CLK rising edge
t_{HC}	0 ns			Last SPI_CLK falling edge to SPI_ENB hold
t_S	2 ns			SPI_DI data input setup time to SPI_CLK
t_H	1 ns			SPI_DI data input hold time to SPI_CLK
t_{CO}	3 ns		8 ns	SPI_CLK rising edge to output data delay (3-wire or 4-wire mode)
t_{HZM}	t_H		$t_{CO} (max)$	Bus turnaround time after BBP drives the last address bit
t_{HZS}	0 ns		$t_{CO} (max)$	Bus turnaround time after AD9361 drives the last data bit

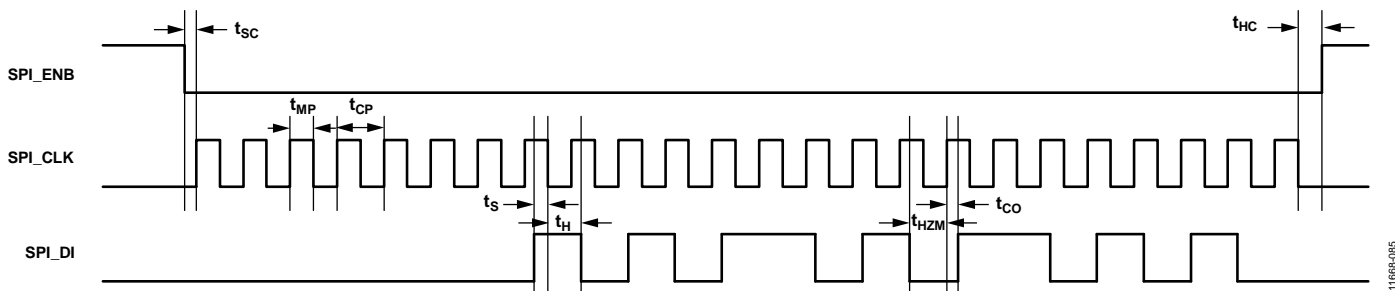


Figure 84. 3-Wire SPI Timing with Parameter Labels, SPI Read

ADDITIONAL INTERFACE SIGNALS

CLOCK_OUT

CLOCK_OUT is an output signal designed to be used as a master clock source for the BBP. This output can be programmed to be a buffered version of the input clock or a multiple of the Rx data path ADC clock. Note that the clock frequency must always be less than 61.44 MHz.

CTRL_IN[3:0]

The CTRL_IN pins are four programmable input signals used for real time control Rx gain settings as described in the Gain Control section.

CTRL_IN2 can also be used to provide hardware control in the receiver AGC hybrid mode. In this mode, gain changes occur when the BBP pulls the CTRL_IN2 pin high. This allows the BBP to directly control the time that the gain setting changes.

CTRL_OUT[7:0]

The CTRL_OUT pins are eight programmable digital output signals used for real time processing. These outputs include internally generated functions and status bits such as PLL lock, calibration complete, and AGC functions.

EN_AGC

EN_AGC is an input signal that provides real time control of when the AGC is active. When pulled high, the EN_AGC pin forces the AGC to unlock so that adjustments to the gain setting can be made. If the EN_AGC pin is not used, then the Gain Lock Delay bit must be set high.

GPO[3:0]

The GPO pins are digital outputs that can be configured to monitor the status of the ENSM or serve as general-purpose logic outputs. These pins are especially useful for biasing a connected power amplifier or controlling front-end switches used in TDD systems. See the General Purpose Output Control section for more detail.

RESETB

RESETB is an input signal allowing asynchronous hardware reset of the [AD9361](#). A logic low applied to this pin resets the device (all SPI registers are reset to default settings and the device is placed in SLEEP mode). The RESETB line should be held low for at least 1 μ s, and the device should not be programmed for at least 1 μ s after the RESETB line has been taken back high.

SYNC_IN

SYNC_IN is a logic input that can be used to provide synchronization between the data ports of multiple [AD9361](#) devices. See the Baseband Synchronization section for more details.

POWER SUPPLY AND LAYOUT GUIDE

OVERVIEW

Due to the increased complexity of the AD9361 and the high pin count, printed circuit board (PCB) layout is important to get the best performance. This section provides a checklist of issues to look for and how to work on them. The goal of this section is help achieve the best performance from the AD9361 while reducing board layout effort. This section assumes that the reader is a RF engineer who understands RF PCB layout and has an understanding of RF transmission lines. This section discusses the following issues and provides guidelines for system designers to get the best performance out of the AD9361.

- PCB material and stack up selection
- RF transmission line layout
- Fan-out and trace-space layout guidelines
- Special components placement and routing guidelines
- Power management and system noise considerations
- Power distribution to all the different power domains

PCB MATERIAL AND STACK UP SELECTION

Figure 85 shows the stack up used for the AD9361 customer evaluation boards. The top and the bottom layers are Rogers 4003 with an 8 mil dielectric. The remaining layers are FR4-370 HR. The board design uses the Rogers laminate for the top and the bottom layers for its low loss tangent at high frequencies. The ground planes under the Rogers laminate (Layer 2 and Layer 9) are the reference planes for the transmission lines routed on the outer surfaces. These layers are solid copper plane without any splits under the RF traces. Layer 2 and Layer 9 are crucial to maintaining the RF signal integrity and, therefore, the AD9361 performance. Layer 3 and Layer 8 contain the 1.3 V analog supply, the 3.3 V GPO supply, and the 1.8 V VDD_INTERFACE supply. To keep the RF section of the AD9361 isolated from the fast transients of the digital section, the digital lines from the AD9361 are on inner Layer 5 and Layer 6. The RF traces on the outer layers need to be controlled impedance to get the best performance from the AD9361. 1 ounce copper is used for all the inner layers in this board. The outer layers use 1.5 ounce copper so that the RF traces are less prone to peeling. Ground planes on this board are full copper floods with no splits except for vias and through-hole components. The ground planes must route entirely to the edge of the PCB under the SMAs to maintain signal launch integrity. Power planes on the other hand can be pulled back from the board edge to decrease the risk of shorting from the board edge.

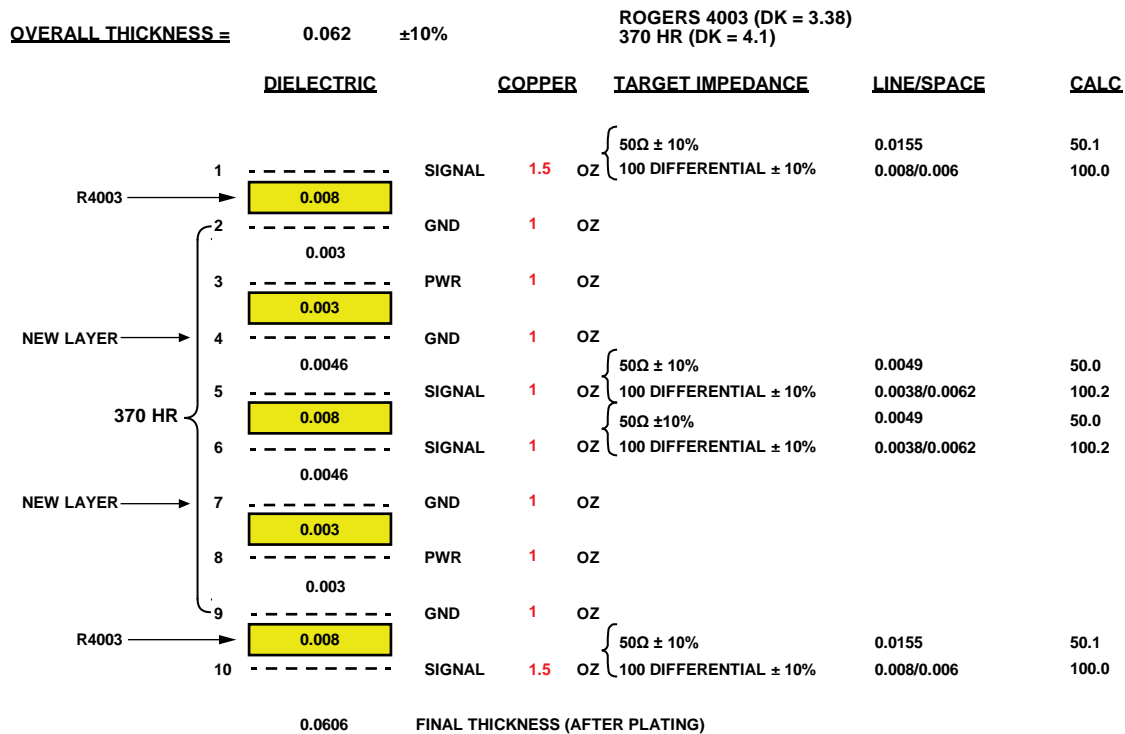


Figure 85. AD9361 Customer Evaluation Board Stack Up

RF TRANSMISSION LINE LAYOUT

The [AD9361](#) evaluation boards use micro strip lines for all the RF traces. The critical Rx and Tx lines route on the top side of the board. It is not recommended to use vias to route RF traces. The differential lines from the balun secondary to the Rx and Tx balls need to be as short as possible. The length of the single-ended transmission line should be short to minimize the effects of parasitic coupling. Since the receiver front end is DC-biased internally, the differential side of the balun is ac-coupled. The system designer can optimize the RF performance with a proper selection of the balun and the ac-coupling capacitors. The Tx monitor traces, external LO traces and the external clock traces could require matching components as well, to ensure best performance.

All the previous RF signals mentioned must have a solid ground reference under them. None of the critical traces should run over a section of the reference plane that is discontinuous. The ground flood on the reference layer must extend all the way to the edge of the board. This ensures good signal integrity for the SMA launch.

See the RF Port Interface section for more information on the RF matching issues associated with the [AD9361](#).

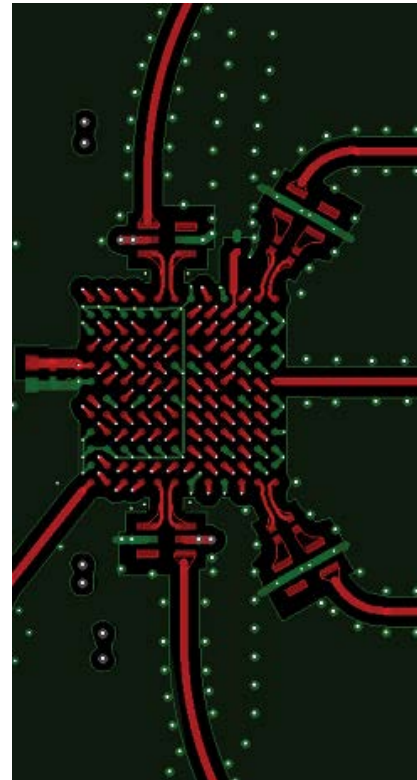


Figure 86. RF Match Structures on Rx and Tx on FMComms2 Board

FAN-OUT AND TRACE SPACE GUIDELINES

The AD9361 is in a 10 mm × 10 mm 144-pin BGA package. The pitch between the balls is 0.8 mm. This small pitch makes it impractical to route all signals on a single layer. RF balls are on the outer edges of the AD9361 package. This helps in routing the critical signals without a fan-out via. The digital signals are buried in the inner layers of the board. The digital balls corresponding to the Rx data port are buried on one signal layer and those corresponding to the Tx data port are buried on a different signal layer. The AD9361 evaluation boards use a 10-mil pin escape trace from the BGA land pad and drop the digital signals on the inner layers by using a 6 mil via with a

12 mil keep out. The spacing between the BGA lands to the pin escape via is 22 mils. Once the signal is on the inner layers, a 4.9 mil trace (50 Ω) connects the signal to the FPGA. The recommended BGA land size is 14 mils.

Only one signal trace is routed between adjacent BGA land pads and between pin escape vias on the inner layers. Routing two traces between adjacent BGA land pads and pin escape vias by reducing the BGA land pad width and trace-pad space design rules reduces overall board manufacturing and assembly reliability. Figure 87 shows the fan out scheme evaluation board.

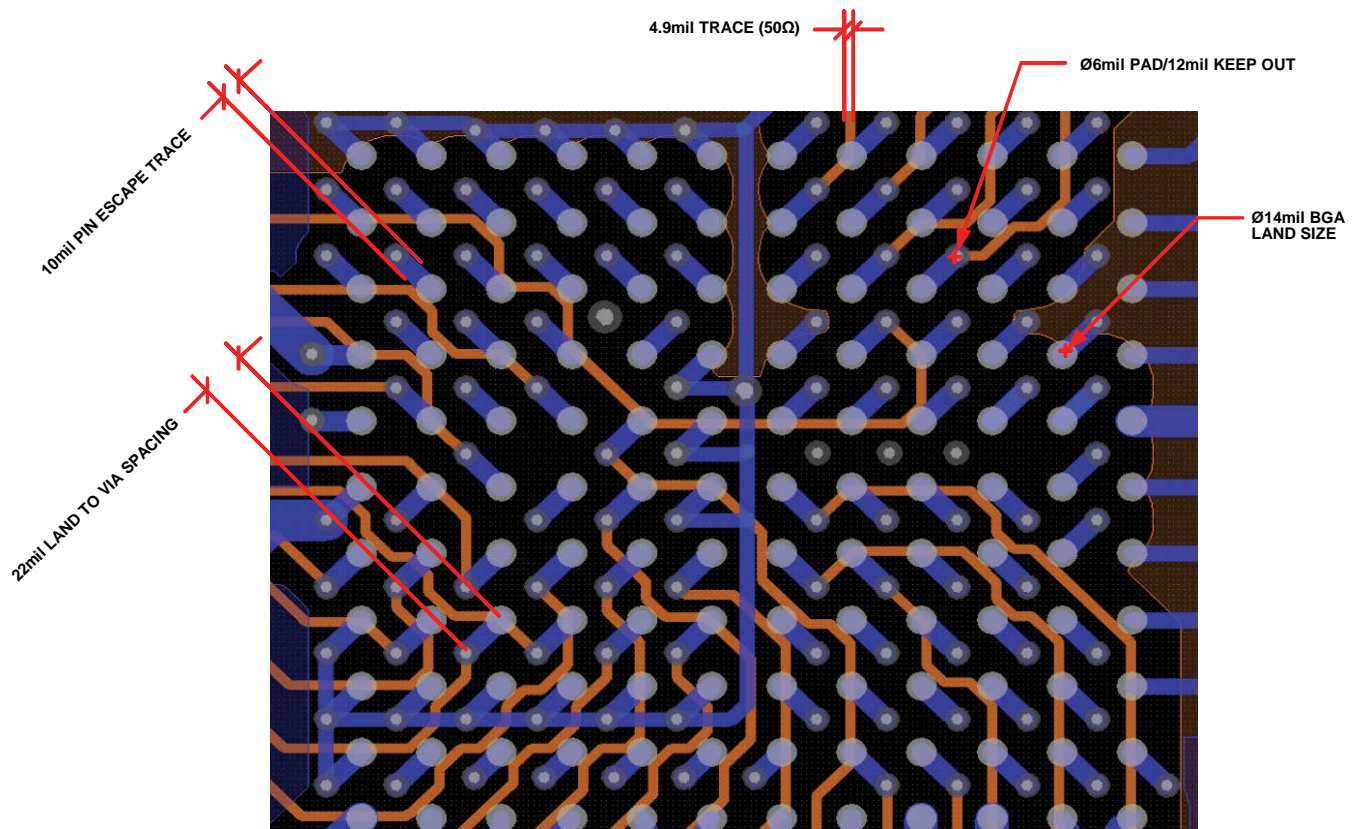


Figure 87. 0.8 mm Pitch BGA Via Fan-Out

COMPONENT PLACEMENT AND ROUTING GUIDELINES

The AD9361 transceiver requires few external components to function, but there are certain external components that are critical to the proper functioning of the part. This section provides a checklist for properly placing and routing some of those critical signals and components.

- The receiver/transmitter baluns and the matching circuits affect the overall RF performance of the AD9361. Therefore, every effort must be taken to optimize the component selection and placement. Refer to the RF Port Interface section for more information.
- Pull the TEST/ENABLE ball (C4) to ground for proper functioning. If this ball is not grounded then the AD9361 will not function.
- Pull the RESETB ball (K5) high with a 10 k Ω resistor to VDD_INTERFACE for proper functioning. To reset the part, pull the RESETB ball low.
- Connect a 14.3 k Ω resistor to the RBIAS ball (L4). This resistor must have a 1% tolerance.
- If using an external clock, then connect the clock to the XTALN ball (M12) via an AC coupling capacitor. (The XTALP ball is a no connect in this case.) Ensure that the external clock peak-to-peak amplitude does not exceed 1.3 V.
- The Rx and the Tx external LO balls on the AD9361 are internally DC-biased. If these balls are used, connect a series coupling capacitor to the ball. If the Rx and Tx external LO balls are not used then connect them to ground.
- 1 Ω resistor in series to the bypass capacitor on the TX_VCO_LDO_OUT (B11) and RX_VCO_LDO_OUT (G2) is needed. A capacitor that has a 1 Ω ESR can replace this series combination of a resistor and capacitor.
- The VDDA1P1_TX_VCO (A11) must be shorted to the TX_VCO_LDO_OUT (B11) ball only.
- The VDDA1P1_RX_VCO (G3) must be shorted to RX_VCO_LDO_OUT(G2) ball only.

- The Tx monitor balls also require a matching network. If the Tx monitor is not used, then connect Ball A5 and Ball M5 to ground. For more information, refer to the Tx Power Monitor section.
- There needs to be at least a 0.1 μ F bypass capacitor near each power supply ball.
- Install 10 μ F bypass capacitor on the VDDA1P3_RX_SYNTH (J3) and VDDA1P3_TX_SYNTH (K3) ball.
- Install a 10 μ F capacitor near the Tx balun DC feed.

POWER MANAGEMENT AND SYSTEM NOISE CONSIDERATIONS

The AD9361 has three different power domains on the chip. 1.3 V is the main power domain that powers the major part of the chip. The VDD_INTERFACE supply is a separate power domain. The input voltage on the VDD_INTERFACE can range from 1.2 V to 2.5 V. This voltage controls the voltage levels of the digital interface of the AD9361. To operate the digital interface in LVDS mode, supply 1.8 V or 2.5 V to the VDD_INTERFACE supply. The input voltage to VDD_GPO ball can range from 1.3 V to 3.3 V. The VDD_GPO must rise as fast or faster than the 1.3 V supply domain.

All the different power domains have different power supply noise rejection characteristics (PSRR). There are certain supplies on the part that are more sensitive to noise than others are. These supplies must be decoupled properly to achieve the best performance from the AD9361. The noise considerations for the 1.3 V analog supply are vital whereas the noise considerations for the VDD_INTERFACE supply and the VDD_GPO are less critical.

Table 54 lists the Rx EVM and Tx EVM degradation when a ripple voltage is injected on the 1.3 V analog supply. In this experiment, the LO was set to 700 MHz and the reference clock was at 19.2 MHz with the RF PLL doubled. The Tx attenuation setting was set to 10 dB. In this experiment, ripple voltage is added on the 1.3 V DC supply with the help of a bias tee. This combination powers all the 1.3 V analog supply domains. The lower frequency ripple is more detrimental to the device performance. For this reason, the low frequency noise must be reduced on the platform that integrates the AD9361.

Table 54. 1.3 V Analog Supply Noise Sensitivities

Noise Frequency	Ripple Voltage	Rx EVM (10 MHz LTE)	Tx EVM (10 MHz LTE)
N/A	0 mV	-37.782 dB	-37.462 dB
40 KHz	16 mV	-24.886 dB	-28.619 dB
300 KHz	22 mV	-35.254 dB	-35.517 dB
500 KHz	52 mV	-36.254 dB	-35.517 dB
1 MHz	>50 mV	-37.501 dB	-36.95 dB
5 MHz	>50 mV	-37.749 dB	-36.927 dB

Power Up 1.3 V Analog Supply on the AD9361 with an LDO

The evaluation boards power the 1.3 V analog supply of the AD9361 with a LDO. The selection of the LDO is important not only from a power management perspective but also from a performance perspective. A LDO with poor PSRR will degrade the RF performance of the part. An LDO with poor noise characteristics will introduce noise in the receiver spectrum as well as the transmitter spectrum.

Figure 88 shows the close in noise spectrum of the ADP1755 that we have used to power the 1.3 V analog supply. This spectrum shows a clean and a low noise floor that is beneficial to achieving the best performance from the AD9361. Any spurs or noise from the power supply within a 1 MHz span will appear on the local oscillator frequency and manifest itself as transmitter phase noise. Similarly, it will also affect the receiver down conversion performance. Figure 90 shows the summary of the effects of power supply noise on the phase noise performance of the part. The phase noise plot shows that the AD9361 performance degrades when it is powered with ADP1706 as compared to the performance with an ADP1755.

Power Up 1.3 V Analog Supply on the AD9361 with Switching Regulator

Using a switching regulator to power the AD9361 provides great efficiency that is easily transferrable to an overall cost reduction. A switching regulator can power the 1.3 V analog power supply of the AD9361. However, choosing the right switching regulator is crucial to getting the best performance from the AD9361. During the selection process, the following characteristics of the switching regulator are important: noise floor, output noise spectrum, switching frequency, slew rate, maximum output capacitance.

Noise Floor

It is beneficial to have a switching regulator with a low noise floor. The noise floor characteristics of the switching regulator change with the load. The noise floor is typically worse when the regulator is not loaded but turned on. 1/f noise affects the low frequency performance of the regulator. At higher frequencies, the switching action of the regulator introduces noise at the switching frequencies and its harmonics; in addition, rapid transitions of the switching frequency may excite the parasitic capacitance of the regulation circuit and create high frequency oscillations, in this respect layout and passive component selection are also important to minimize the noise generated by the switching regulator.

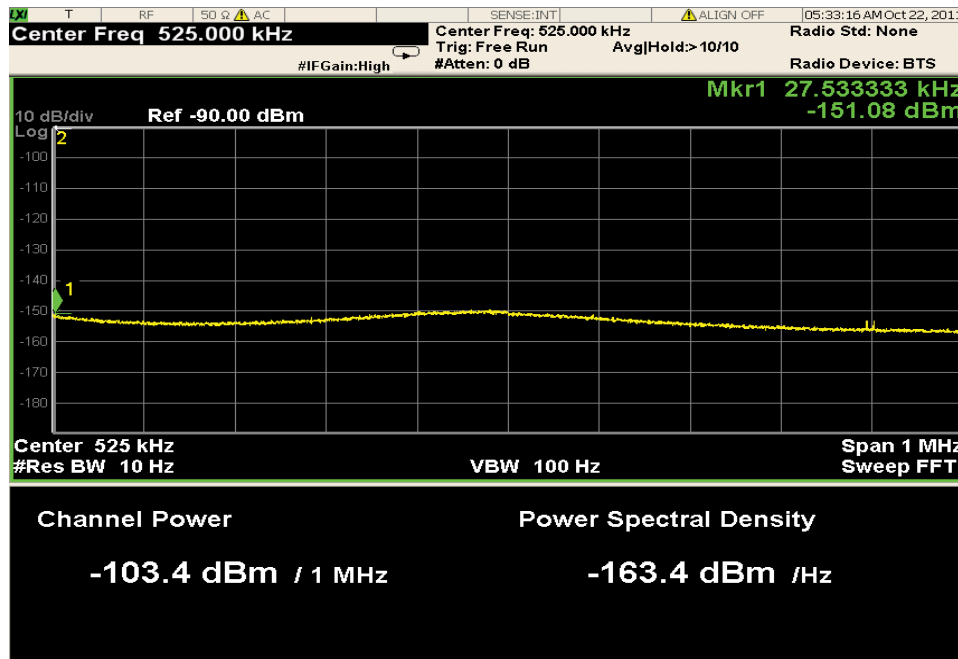


Figure 88. Noise Floor of ADP1755 Powering the 1.3 V Analog Plane

Output Noise Spectrum

Figure 89 shows the output spectrum of the ADP5040 switching regulator up to 1 MHz. This span is important, as the AD9361 is more sensitive to low frequency noise than it is to high frequency noise. Switcher noise greater than 1 MHz is also important. Some switching regulators can have large multiples of the switching frequency with many sidebands. These spurs generated by the switcher can couple into other power supplies or RF balls.

Switching Frequency

The switching frequency of the switching regulator is also an important characteristic to consider. Figure 90 shows that the frequency of the power supply noise less than the synthesizer loop filter bandwidth is the most important. Therefore, choose a regulator with a switching frequency greater than 1 MHz. Since the switching frequency of ADP5040 is 3 MHz, it is relatively quiet ranging from 100 Hz to 500 kHz.

Slew Rate

The slew rate of the regulator is important to control the rise time and fall times of the switching edges. A switcher regulator with a high slew rate is preferred as this reduces low frequency sidebands that can fall below 1 MHz.

Maximum Output Capacitance

In switching regulators with limitation for the maximum allowable output capacitance, it is important to consider the effects over the lowest frequency that can be decoupled from the power supply noise. Two main factors affect the transient response of a switching regulator: the output capacitor ESR and the regulator loop bandwidth. To improve the transient response, it is preferable to add capacitors in parallel instead of using one larger output capacitor. This is to reduce the total ESR. Increasing the output capacitance value also changes the regulator loop characteristics and the phase margin, small phase margin yields to an under-damped system where oscillation occurs after a transient. If the phase margin is too large then the system becomes over-damped where the response to transients is slow. Transient performance considerations are in the Rx LO Frequency Deviations Due to Power Supply Transients section.

Figure 89 shows the 1 MHz noise spectrum of the ADP5040. In this screenshot, the ADP5040 is powering up the 1.3 V analog power plane with the AD9361 in FDD mode.

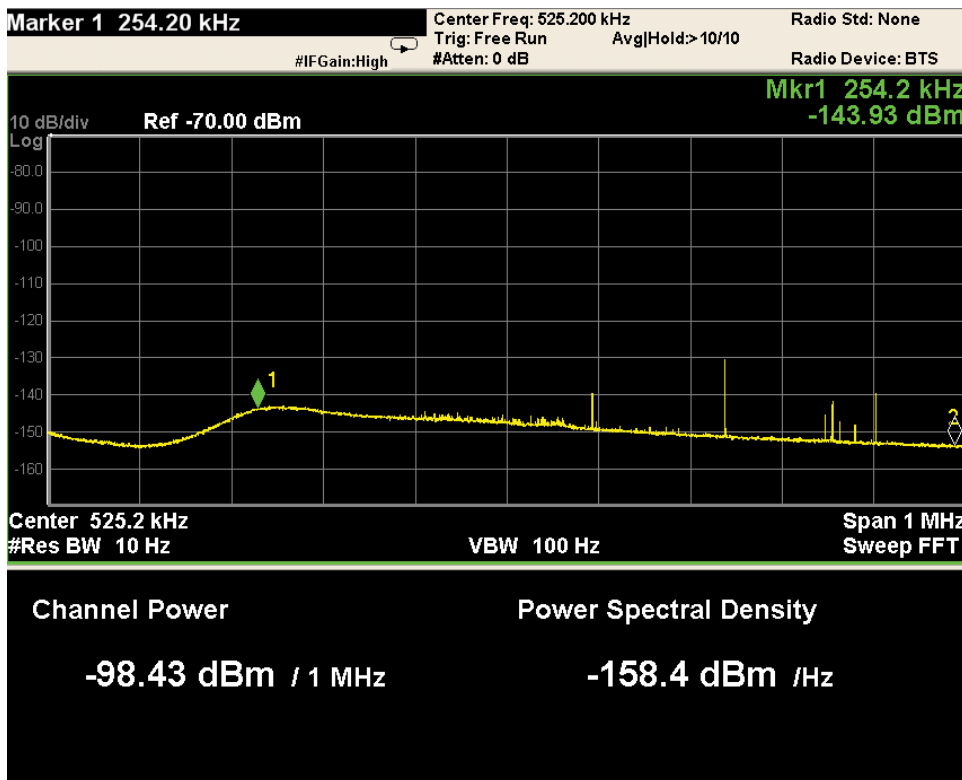


Figure 89. Noise Floor at the Buck Output of ADP5040 Powering the 1.3 V Analog Plane (The AD9361 in FDD State)

Effects on Phase Noise Due to Noise on the Power Supply

Figure 90 shows the effects of power supply noise on the phase noise of the transmitter local oscillator. The transmitter local oscillator is set to 5.1 GHz. This plot shows that noise from a poorly designed power management section will be up-converted to affect the performance of the transmitter and similarly have an adverse effect on the receiver performance. The phase noise performance degrades as the local oscillator frequency increases. For example, the effects of power supply noise are not as pronounced if the local oscillator frequency is 700 MHz compared to when the local oscillator frequency is 5.8 GHz. This is because the synthesizer always generates a frequency between 6 GHz to 12 GHz. To generate a specific LO,

the synthesizer output is divided which also reduces the noise spectrum. Conversely, the highest frequency designs require the lowest amount of power supply noise because the divide ratios are small.

Figure 90 shows the best performance when the ADP1755 LDO is used. The ADP1755 has better noise characteristics than the ADP1706 LDO. The phase noise plot compares the performance of the ADP5040 in different layout scenarios. The ADP5040 has a buck convertor that powers up 1.3 V analog power supply. The ADP5040 also has two LDOs that are used to power the VDD_GPO supply and the VDD_INTERFACE supply. For more details on the ADP5040, refer to its data sheet.

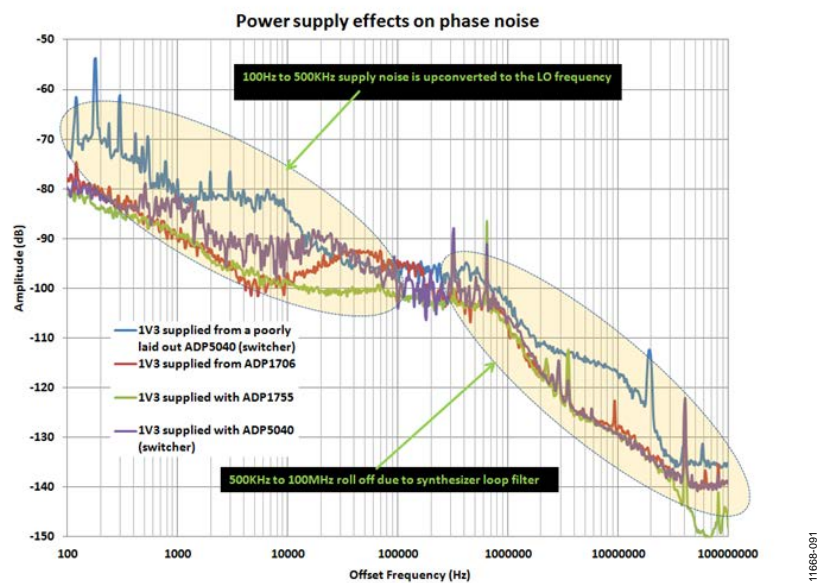


Figure 90. Phase Noise vs. Frequency Offset Comparison for Different Power Supply Schemes

POWER DISTRIBUTIONS FOR DIFFERENT POWER SUPPLY DOMAINS

The AD9361 has 17 power supply balls. These balls power up different circuits on the part. Table 55 shows the ball number, the ball name, the recommended routing technique for that ball from the main 1.3 V analog supply plane and a brief description of the block it powers up in the chip. In some cases, one finger is used to power up two to three 1.3 V power supply balls while in some cases there are some power supply balls that have a finger just for themselves. Table 55 shows which power supply balls have their own fingers and which balls are tied together and share one finger. Fingers provide isolation for the concerned 1.3 V power supply balls. Figure 91 shows this structure.

Table 55. Power Supply Balls on the AD9361

Ball	Ball Name	Recommended Routing	Description
A11	VDDA1P1_TX_VCO	Short to B11 with 1 μ F bypass capacitor 1 Ω series resistance	Powers supply for Tx VCO in the chip
B8	VDD_GPO	GPO pull-up voltage (1.3 V to 3.3 V)	Power supply for the GPO balls
B9	VDDA1P3_TX_LO	1.3 V separate trace to common supply point	Power supply for Tx LO Generator and LO divider
B10	VDDA1P3_TX_VCO_LDO	Short to B9	Power supply for the Tx VCO LDO
B11	TX_VCO_LDO_OUT	Short to A11	Output of the Tx VCO LDO needed to power the Tx VCO on the chip
D2	VDDA1P3_RX_RF	Short to D3	Power supply for the Rx LNAs and the mixer GM stages
D3	VDDA1P3_RX_TX	Short to E3	Power supply for Tx Low pass filter, Tx monitor, Rx trans impedance amplifier, Rx low pass filter, AuxDAC
E2	VDDA1P3_RX_LO	Short to F2	Power supply for Rx LO generator and LO divider
E3	VDDA1P3_TX_LO_BUFFER	1.3 V separate trace to common supply point	Power supply to the Tx LO buffer that goes to the up converter
F2	VDDA1P3_RX_VCO_LDO	1.3 V separate trace to common supply point	Power supply input for the Rx VCO LDO
F12	VDDD1P3_DIG	1.3 V separate trace to common supply point	Powers the digital core
G2	RX_VCO_LDO_OUT	Short to G3	Output of the Rx VCO LDO needed to power the Rx VCO LDO in the chip
G3	VDDA1P1_RX_VCO	Short to G2 with 1 μ F bypass capacitor 1 Ω series resistance	Power supply for the Rx VCO on the chip
H12	VDD_INTERFACE	Interface pull-up voltage (1.3 V to 2.5 V)	Powers the digital interface of the chip
J3	VDDA1P3_RX_SYNTN	1.3 V separate trace to common supply point	Powers the charge pump, sigma delta modulator and the VCO calibration block of the Rx synthesizer
K3	VDDA1P3_TX_SYNTN	1.3 V separate trace to common supply point	Powers the charge pump, sigma-delta modulator and the VCO calibration block of the Tx synthesizer
K4	VDDA1P3_BB	1.3 V separate trace to common supply point	Powers the Tx DACs, Rx ADCs and AuxADC
Tx1	TX BALUN DC FEED	VIA directly to 1.3 V plane	Provides power to the Tx output on Channel 1
Tx2	TX BALUN DC FEED	VIA directly to 1.3 V plane	Provides power to the Tx output on Channel 2

Rx and Tx Synthesizer Supplies

The power supply noise rejection on the VDDA1P3_Rx_SYNTH and VDDA1P3_Tx_SYNTH power domains is very low. This means that any noise ripple on these balls will affect the synthesizer performance. The supply noise on the synthesizers will degrade the phase noise. For the best performance, in the FDD mode, VDDA1P3_RX_SYNTH, VDDA1P3_TX_SYNTH, VDDA1P3_RX_LO, VDDA1P3_RX_VCO_LDO, VDDA1P3_TX_LO, VDDA1P3_TX_VCO_LDO can be powered up with a separate low noise LDO. This will also help in mitigating effects of transients on the 1.3 V analog supply. The evaluation board uses this power design.

Tx Balun DC Feed Supplies

Each transmitter requires 150 mA of current that the DC feed of the balun supplies. To reduce switching transients when attenuation settings change, the balun DC feed must be powered directly by the 1.3 V plane. A 10 μ F and a 0.1 μ F capacitors are helpful on the DC feed pin to eliminate spurs on the Tx spectrum and dampen the transients.

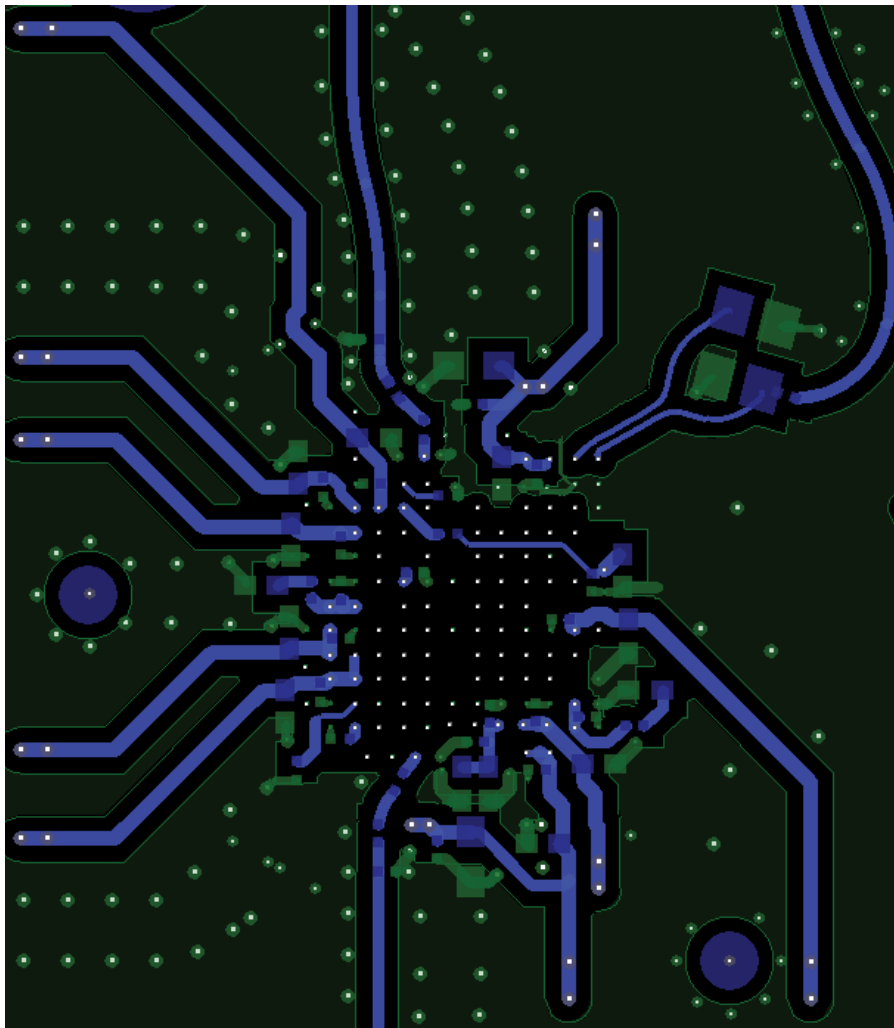


Figure 91. Power Supply Fingers

1166B-02

Rx LO FREQUENCY DEVIATIONS DUE TO POWER SUPPLY TRANSIENTS

The AD9361 is a transceiver that can operate in TDD or in FDD mode. In FDD mode, there is a need to dynamically change the transmit power when the receivers are on and receiving data. This means that the load that the part presents to the power supply changes, giving rise to transients on the power supply line. The amplitude and the response time of these transients depend on board layout and the regulator used to supply power. These power supply transients are detrimental to the receiver performance until the transient has died down.

Figure 92 shows the instantaneous deviation in the Rx VCO frequency due to a voltage transient on the 1.3 V supply. During this experiment, The AD9361 was in FDD state. The Channel 1 spectrum in Figure 92 is the Rx VCO leakage from the Rx pin when the Rx LO is 800 MHz. Channel 2 is a FM demodulation of Channel 1. This means that Channel 2 will show the instantaneous changes in VCO frequency. The spectrum analyzer is triggered on the TXNRX signal that turns the transmitter ON or OFF. This environment simulates the worst case VCO frequency deviation that can occur on the Rx synth.

The blue trace in Figure 93 shows the voltage transient on the 1.3 V line when the transmitters turn ON. The magenta trace is the Vtune voltage of the Tx VCO that is probed on the Tx EXT LO line and the green trace is the Vtune voltage of the Rx VCO that is probed on the Rx EXT LO line. The instantaneous frequency deviation shown in Figure 92 is a direct cause of the instantaneous change in the Vtune voltage. Screenshots in Figure 92 and Figure 93 were taken simultaneously on one trigger. The experiment described previously was done with the ADP1706-1.3V LDO powering the 1.3 V supply.

This issue can be mitigated by powering the Rx synth, Tx synth, Rx LO and Tx LO supplies from a different LDO. This approach helps in isolating the synthesizers from the transients on the 1.3 V supply. Figure 94 shows the frequency kick when the Rx synth, Tx synth, Tx LO, and Rx LO supplies are powered up externally. The frequency kick decreases to one third of its initial amplitude. Figure 95 shows the voltage kick on the 1.3 V supply and the consequent response of Vtune voltage of the Tx VCO (magenta) and the Vtune voltage of the Rx VCO (green).

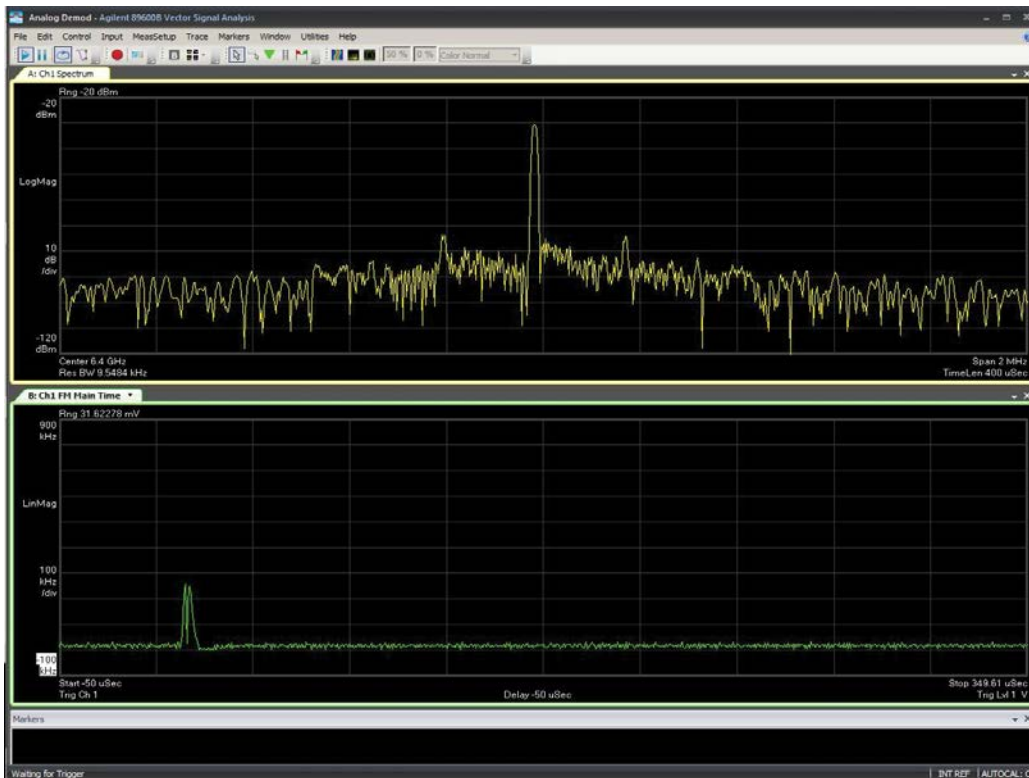


Figure 92. Instantaneous Rx VCO Frequency Deviation Seen Due to a Voltage Transient on the 1.3 V Supply

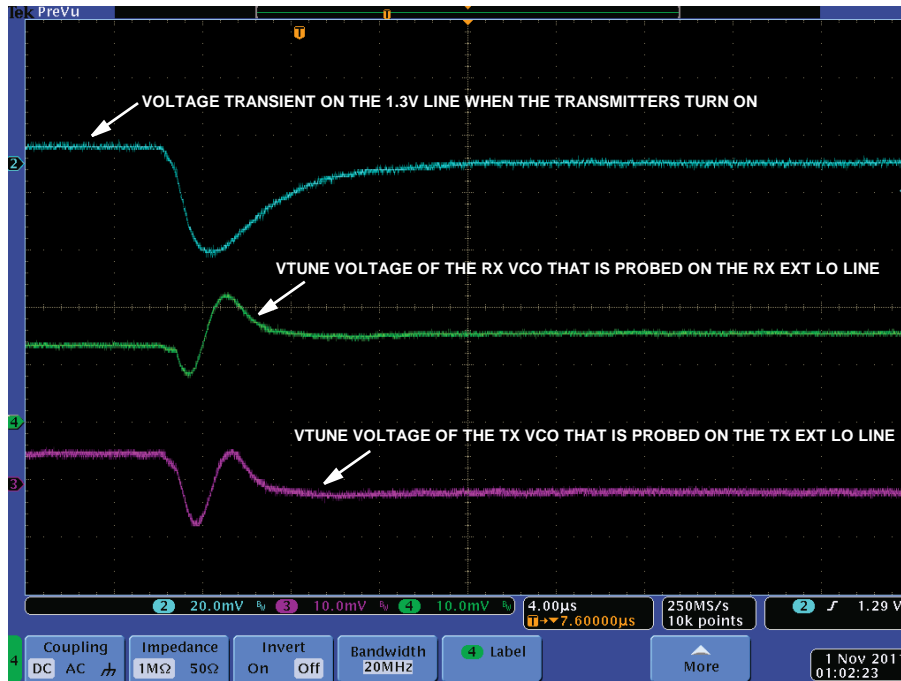


Figure 93. Voltage Transient on the 1.3 V Supply and Vtune of the Rx and the Tx VCO

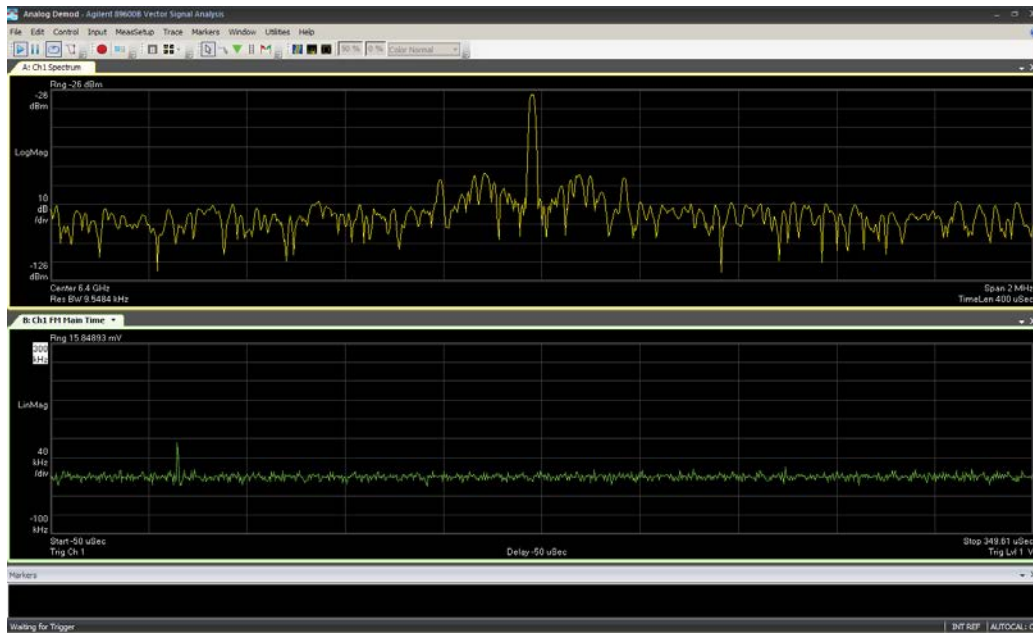


Figure 94. Instantaneous Frequency Deviation Seen Due to a Voltage Transient on the 1.3 V Supply: VDDA1P3_Rx_SYNTH, VDDA1P3_Tx_SYNTHs Supplied Externally

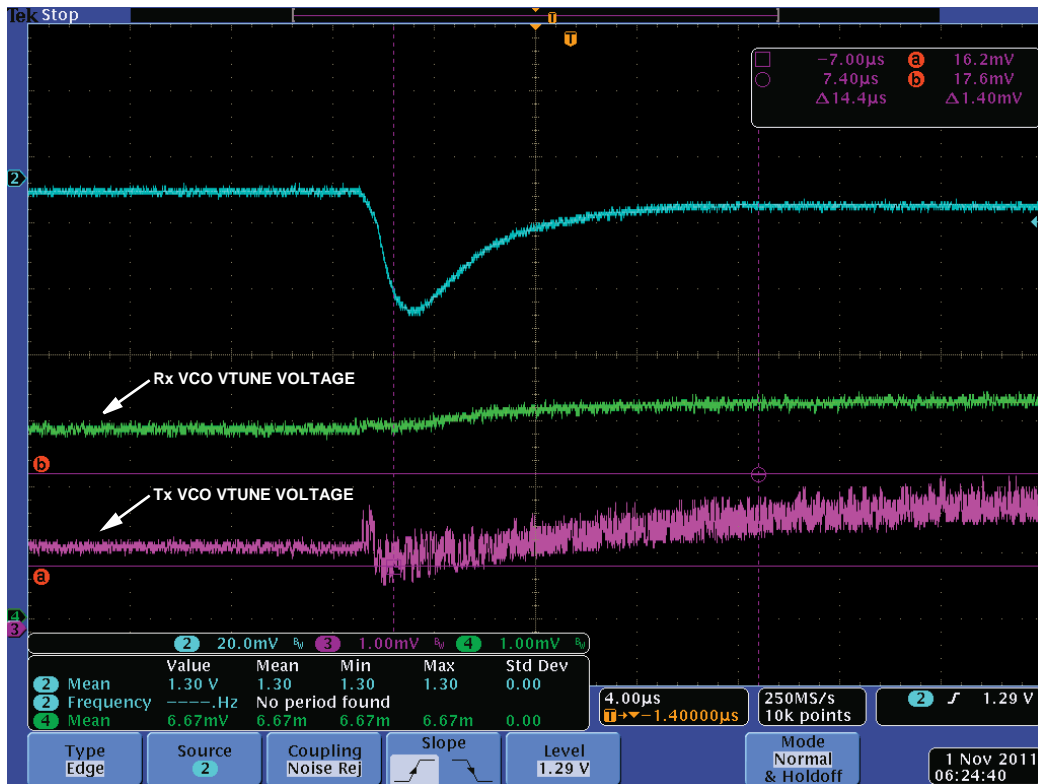


Figure 95. Voltage Transient on the 1.3 V Supply and the Vtune of the VCO: VDDA1P3_Rx_SYNTH, VDDA1P3_Tx_SYNTH, Supplied Externally

RELATED LINKS

Resource	Description
AD9361	Product Page, AD9361 RF Agile Transceiver
AD9548	Product Page, AD9548 Quad/Octal Input Network Clock Generator/Synchronizer
ADA4851-4	Product Page, ADA4851-4 Low Cost, High Speed, Rail-to-Rail, Output Op Amp (Quad)
ADP1706	Product Page, ADP1706 1 A, Low Dropout, CMOS Linear Regulator
ADP1755	Product Page, ADP1755 1.2 A Low V_{IN} , Adjustable V_{OUT} LDO Linear Regulator
ADP5040	Product Page, ADP5040 Micro PMU with 1.2 A Buck Regulator and Two 300 mA LDOs



ESD Caution
ESD (electrostatic discharge) sensitive device. Charged devices and circuit boards can discharge without detection. Although this product features patented or proprietary protection circuitry, damage may occur on devices subjected to high energy ESD. Therefore, proper ESD precautions should be taken to avoid performance degradation or loss of functionality.

Legal Terms and Conditions

Information furnished by Analog Devices is believed to be accurate and reliable. However, no responsibility is assumed by Analog Devices for its use, nor for any infringements of patents or other rights of third parties that may result from its use. No license is granted by implication or otherwise under any patent or patent rights of Analog Devices. Trademarks and registered trademarks are the property of their respective owners. Information contained within this document is subject to change without notice. Software or hardware provided by Analog Devices may not be disassembled, decompiled or reverse engineered. Analog Devices' standard terms and conditions for products purchased from Analog Devices can be found at: http://www.analog.com/en/content/analog_devices_terms_and_conditions/fca.html.

