

Get better at Math.
Get better at
everything.



Come experience the Cuemath methodology and ensure your child stays ahead at math this summer.



**Adaptive
Platform**



**Interactive Visual
Simulations**



**Personalized
Attention**

For Grades 1 - 10



LIVE online classes
by trained and
certified experts.

Get the Cuemath advantage







Book a FREE trial class

Angles Worksheet 2

1) Write the measurement/range of the following angles.

- a) Acute
- b) Obtuse
- c) Right
- d) Straight
- e) Reflex
- f) Full

2) For each of the given angles, state if they are acute, obtuse, straight, right, or reflex angle.

 Angle:	 Angle:	 Angle:
 Angle:	 Angle:	 Angle:

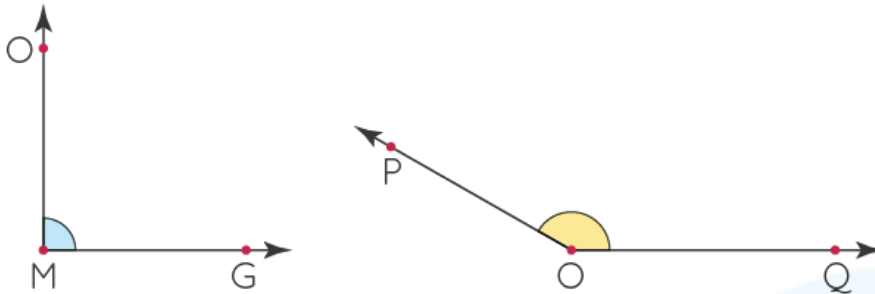
3) Two right angles are equal angles.

- a) Yes
- b) No

4) An equilateral triangle cannot have a right-angle.

- a) True
- b) False

5) Measure the following angles.



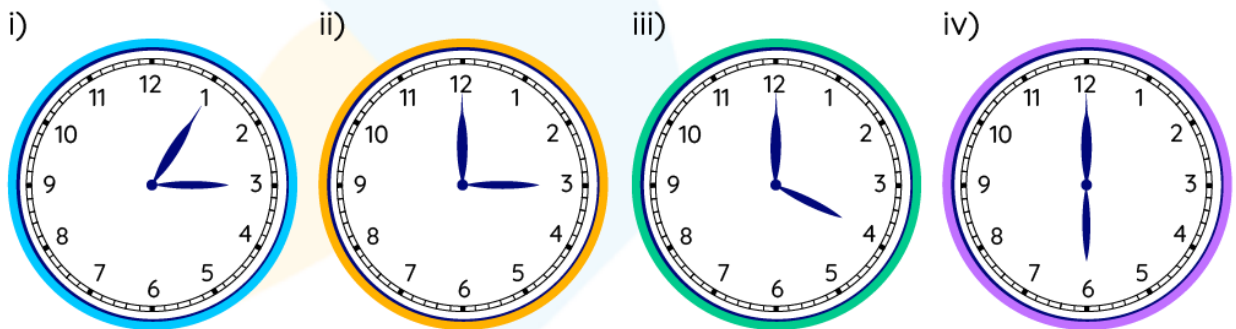
6) Construct the following angles.

- a) 60° b) 110°

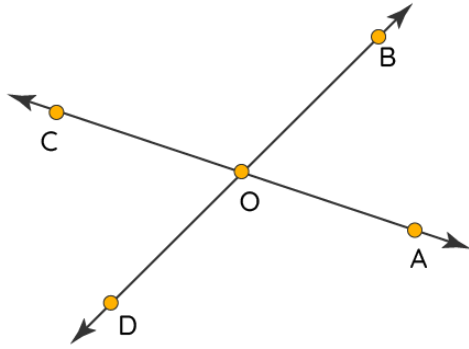
7) State if the following angles are acute, obtuse, or right or reflex.

- a) 80° b) 110° c) 260°

8) Name the type of angles being formed between the hour and the minute hand in each of the following figures.



9) Name the acute, obtuse and straight angles from the given diagram.



10) Which of the following is a straight angle?

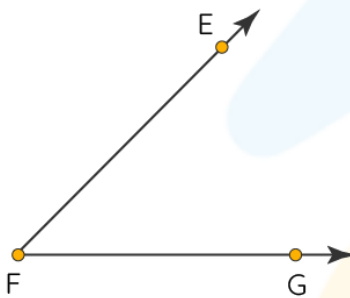


Figure 1

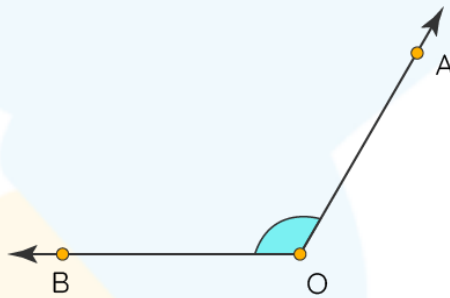


Figure 2

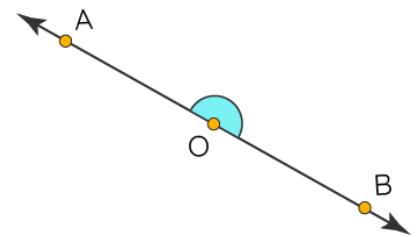


Figure 3

**When you learn math
in an interesting way,
you never forget.**



25 Million

Math classes &
counting

100K+

Students learning
Math the right way

20+ Countries

Present across USA, UK,
Singapore, India, UAE & more.

Why choose Cuemath?

"Cuemath is a valuable addition to our family. We love solving puzzle cards. My daughter is now visualizing maths and solving problems effectively!"

- Gary Schwartz

"Cuemath is great because my son has a one-on-one interaction with the teacher. The instructor has developed his confidence and I can see progress in his work. One-on-one interaction is perfect and a great bonus."

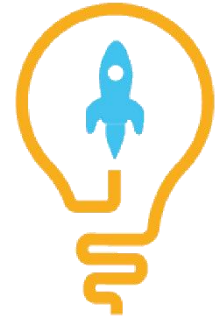
- Kirk Riley

"I appreciate the effort that miss Nitya puts in to help my daughter understand the best methods and to explain why she got a problem incorrect. She is extremely patient and generous with Miranda."

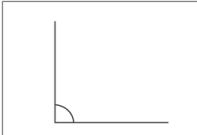
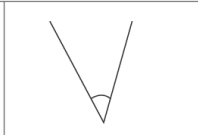
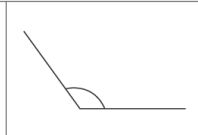
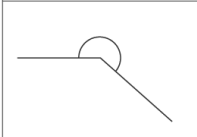
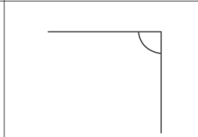
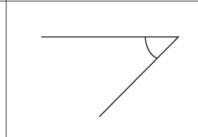
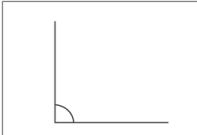
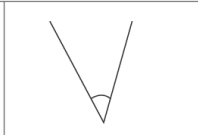
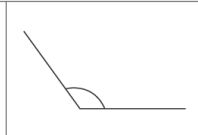
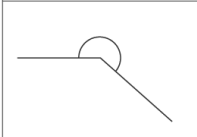
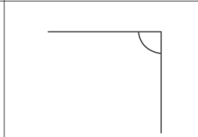
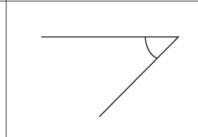
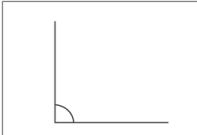
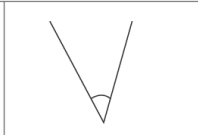
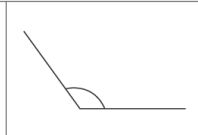
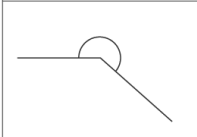
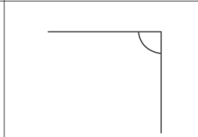
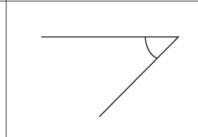
- Barbara Cabrera

Get the Cuemath advantage

Book a FREE trial class



ANSWERS

<p>1. a) $0^\circ < \text{Acute angle} < 90^\circ$ b) $90^\circ < \text{Obtuse angle} < 180^\circ$ c) Right angle: 90° d) Straight angle : 180° e) $180^\circ < \text{Reflex angle} < 360^\circ$ f) Full angle: 360°</p>	<p>6. Straight angle</p>						
<p>2.</p> <table border="1" data-bbox="165 994 770 1352"> <tbody> <tr> <td> Angle: Right</td> <td> Angle: Acute</td> <td> Angle: Obtuse</td> </tr> <tr> <td> Angle: Reflex</td> <td> Angle: Right</td> <td> Angle: Acute</td> </tr> </tbody> </table>	 Angle: Right	 Angle: Acute	 Angle: Obtuse	 Angle: Reflex	 Angle: Right	 Angle: Acute	<p>7. Figure 1 and Figure 3</p>
 Angle: Right	 Angle: Acute	 Angle: Obtuse					
 Angle: Reflex	 Angle: Right	 Angle: Acute					
<p>3. Yes</p>	<p>8. i) Acute Angle ii) Right Angle iii) Obtuse Angle iv) Straight Angle</p>						
<p>4. True</p>	<p>9. Acute Angles: $\angle BOA, \angle COD$ Obtuse Angles: $\angle COB, \angle AOD$ Straight Angles: $\angle COA, \angle BOD$</p>						
<p>5. $\angle OMG = 90^\circ, \angle POQ = 150^\circ$</p>	<p>10. Figure 3- $\angle AOB$</p>						

FUN FACT

1. All our body parts are aligned in such a way that there are different angles formed between our body parts.
2. When two lines do not meet each other, they never form angles.
3. The word complementary comes from Latin completum (meaning completed) because the right angle is thought of as a complete angle.

