



US00D723080S

(12) **United States Design Patent**
Kobayashi

(10) **Patent No.:** **US D723,080 S**

(45) **Date of Patent:** **** Feb. 24, 2015**

(54) **LASER RANGE FINDER**

(71) Applicant: **Nikon Vision Co., Ltd.**, Tokyo (JP)

(72) Inventor: **Yuki Kobayashi**, Tokyo (JP)

(73) Assignee: **Nikon Vision Co., Ltd.**, Tokyo (JP)

(**) Term: **14 Years**

(21) Appl. No.: **29/464,057**

(22) Filed: **Aug. 12, 2013**

(30) **Foreign Application Priority Data**

Feb. 28, 2013 (JP) 2013-004219

(51) **LOC (10) Cl.** **16-06**

(52) **U.S. Cl.**
USPC **D16/132; D16/136**

(58) **Field of Classification Search**
CPC G02B 23/00
USPC D16/132, 130, 200, 202, 203, 219, 230,
D16/136; 359/399, 411, 409, 418, 819, 809;
348/373, 375; 396/535-541;
250/214 VT; D9/435, 565, 575, 432,
D9/434

See application file for complete search history.

(56) **References Cited**

U.S. PATENT DOCUMENTS

D107,815 S *	1/1938	Barnhart	D9/572
3,737,667 A *	6/1973	Babb et al.	250/214 LA
D300,038 S *	2/1989	Huckenbeck	D16/132
D322,084 S *	12/1991	Tabuchi	D16/203
D369,613 S *	5/1996	Palmer	D16/132
D380,222 S *	6/1997	Bryant	D16/132
5,867,313 A *	2/1999	Schweitzer et al.	359/418
5,943,174 A *	8/1999	Bryant et al.	359/809
6,008,497 A *	12/1999	Mizoguchi et al.	250/492.1
D418,853 S *	1/2000	Kubota	D16/203

D419,455 S *	1/2000	Macauley et al.	D9/575
D424,081 S *	5/2000	Gordon	D16/130
6,288,386 B1 *	9/2001	Bowen et al.	250/214 VT

(Continued)

FOREIGN PATENT DOCUMENTS

JP	D145776 S	12/2012
JP	D1457756 S	12/2012

OTHER PUBLICATIONS

Website, http://www.nikon.co.jp/news/2006/0221_laser1200_09.htm, Title; Release of Nikon Portable Laser Range finder [Laser 1200s], release date—Feb. 21, 2006, pp. 1-3.

(Continued)

Primary Examiner — Paula Greene

(74) *Attorney, Agent, or Firm* — Wolf, Greenfield & Sacks, P.C.; Randy J. Pritzker

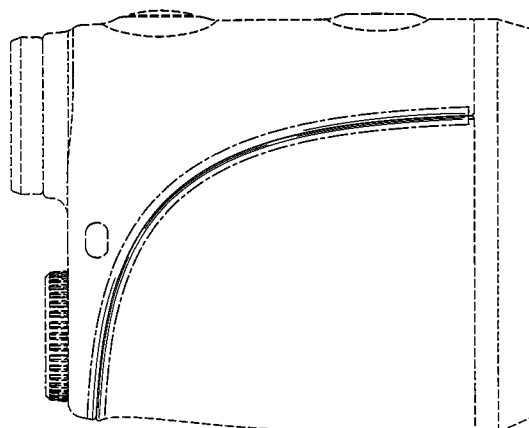
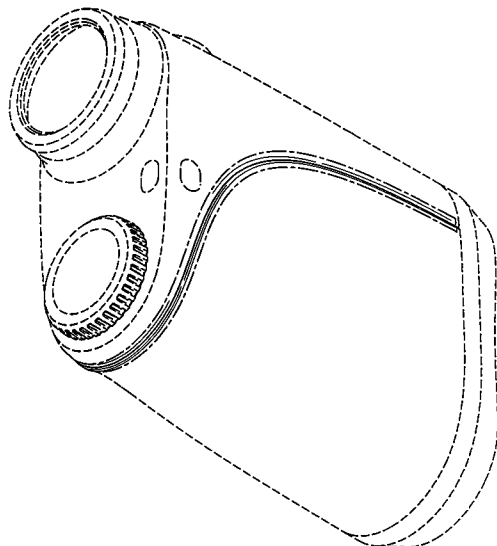
(57) **CLAIM**

The ornamental design for a laser range finder, as shown and described.

DESCRIPTION

FIG. 1 is a front perspective view of a laser range finder showing my new design;
 FIG. 2 is a rear perspective view thereof;
 FIG. 3 is a front view thereof;
 FIG. 4 is a rear view thereof;
 FIG. 5 is a top plan view thereof;
 FIG. 6 is a bottom plan view thereof;
 FIG. 7 is a right side view thereof;
 FIG. 8 is a left side view thereof; and,
 FIG. 9 is a cross-sectional view taken along line 9-9 in FIG. 3.
 The features shown in broken lines in the drawings depict environmental subject matter only and form no part of the claimed design. The dash-dotted lines denote the boundaries of the claim and form no part of the claims design.

1 Claim, 9 Drawing Sheets



(56)

References Cited

U.S. PATENT DOCUMENTS

D486,743 S * 2/2004 Nelson et al. D9/565
D511,538 S * 11/2005 Hayamizu D16/133
D523,048 S * 6/2006 Hayashi D16/133
D539,317 S * 3/2007 Tonhofer D16/132
D547,780 S * 7/2007 Meinzer D16/132
D561,800 S * 2/2008 Sadatsuki D16/202
D606,572 S * 12/2009 Samson et al. D16/203
D611,979 S * 3/2010 Frank et al. D16/202
D646,311 S * 10/2011 Hoelbl D16/133
D651,628 S * 1/2012 Wang D16/132
D662,118 S * 6/2012 Soejima D16/133

D683,374 S * 5/2013 Yokoi D16/132
D683,375 S * 5/2013 Yokoi D16/132
D683,376 S * 5/2013 Yokoi D16/132
D683,377 S * 5/2013 Yokoi D16/132
D683,378 S * 5/2013 Yokoi D16/132
8,448,372 B2 * 5/2013 Peters et al. 42/111
D706,848 S * 6/2014 Kobayashi et al. D16/133

OTHER PUBLICATIONS

Website, http://www.nikon.co.jp/news/2006/0221_laser1200_09.htm, Title. Release of Nikon Portable Laser Range finder [Laser 1200s], release date—Feb. 21, 2006, pp. 1-3.

* cited by examiner

FIG. 1

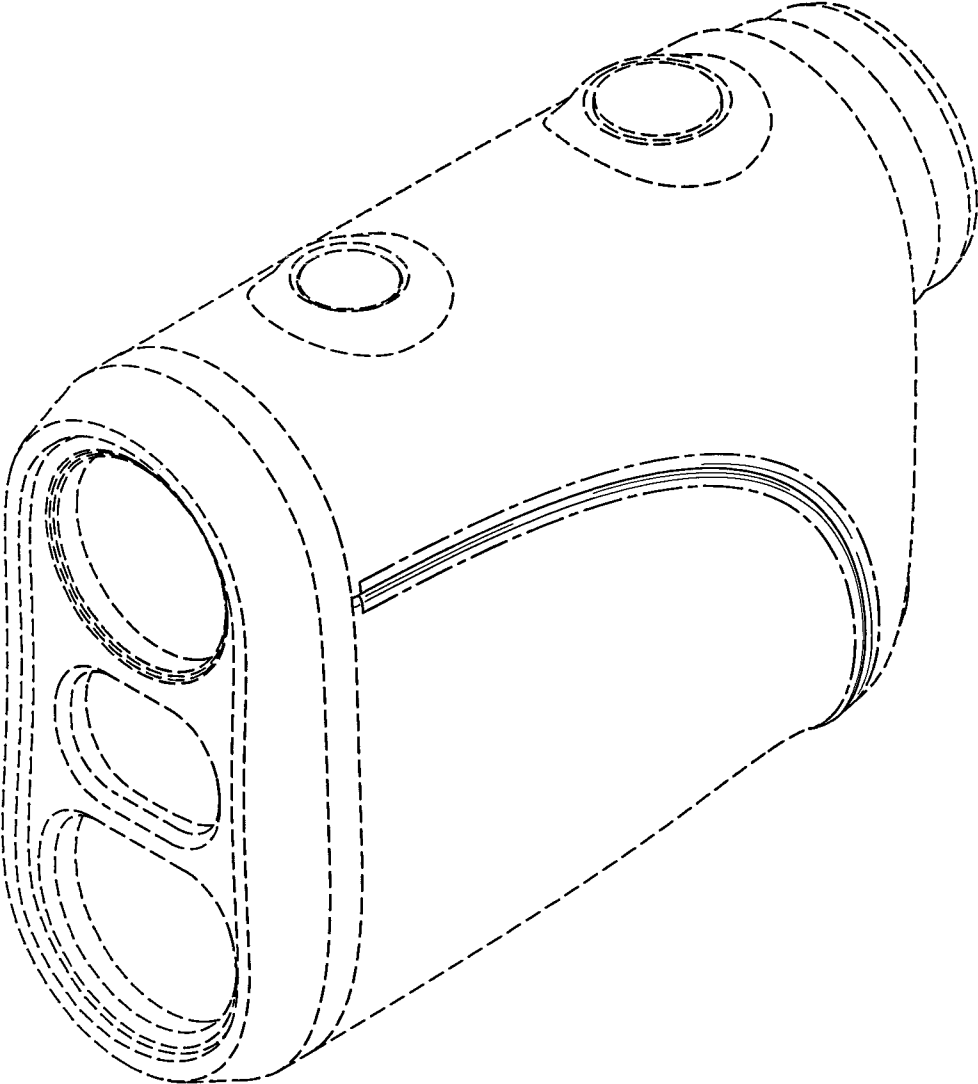


FIG. 2

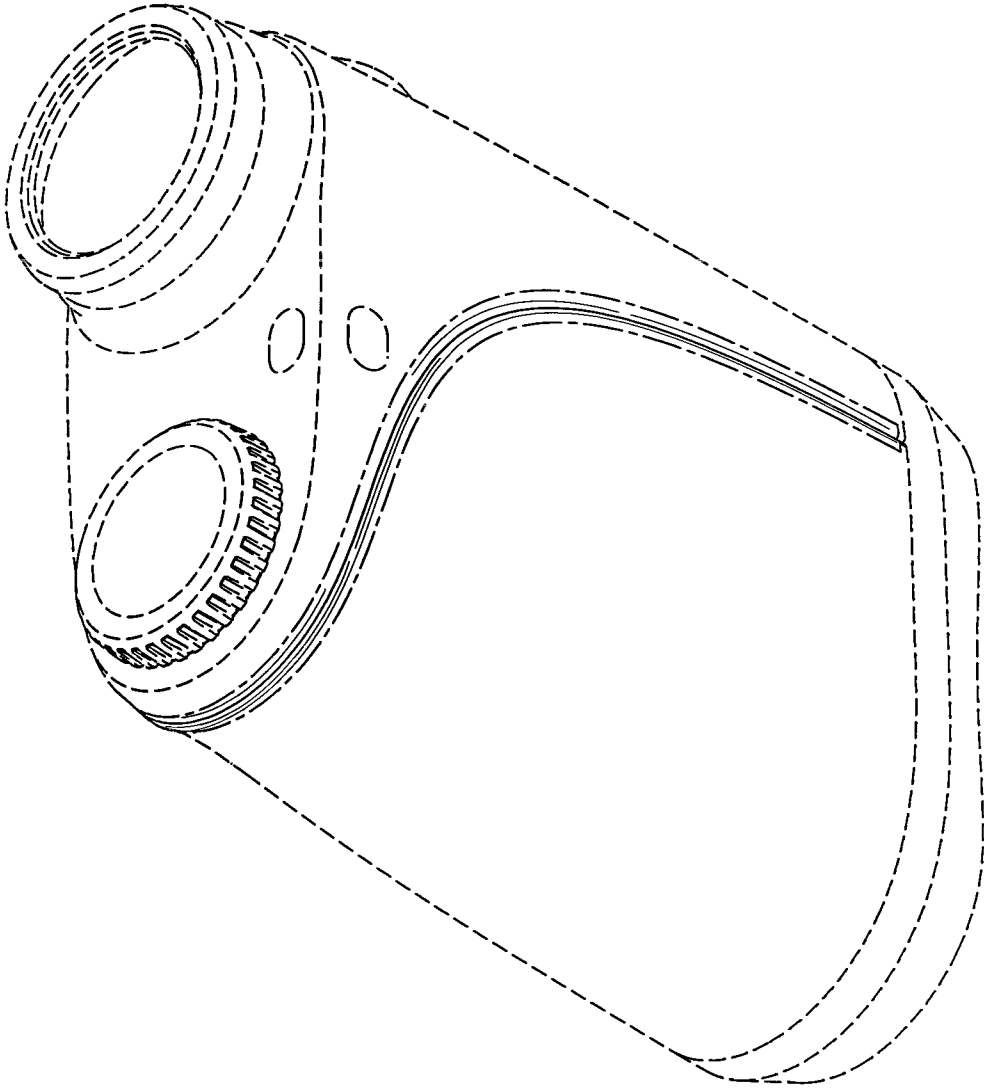


FIG. 3

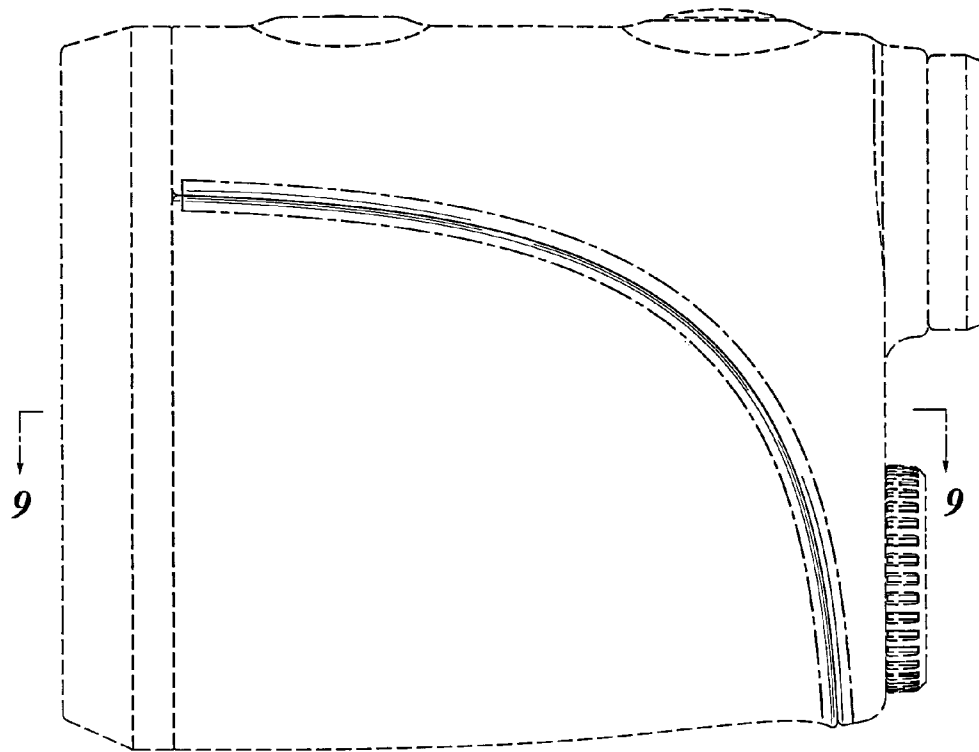


FIG. 4

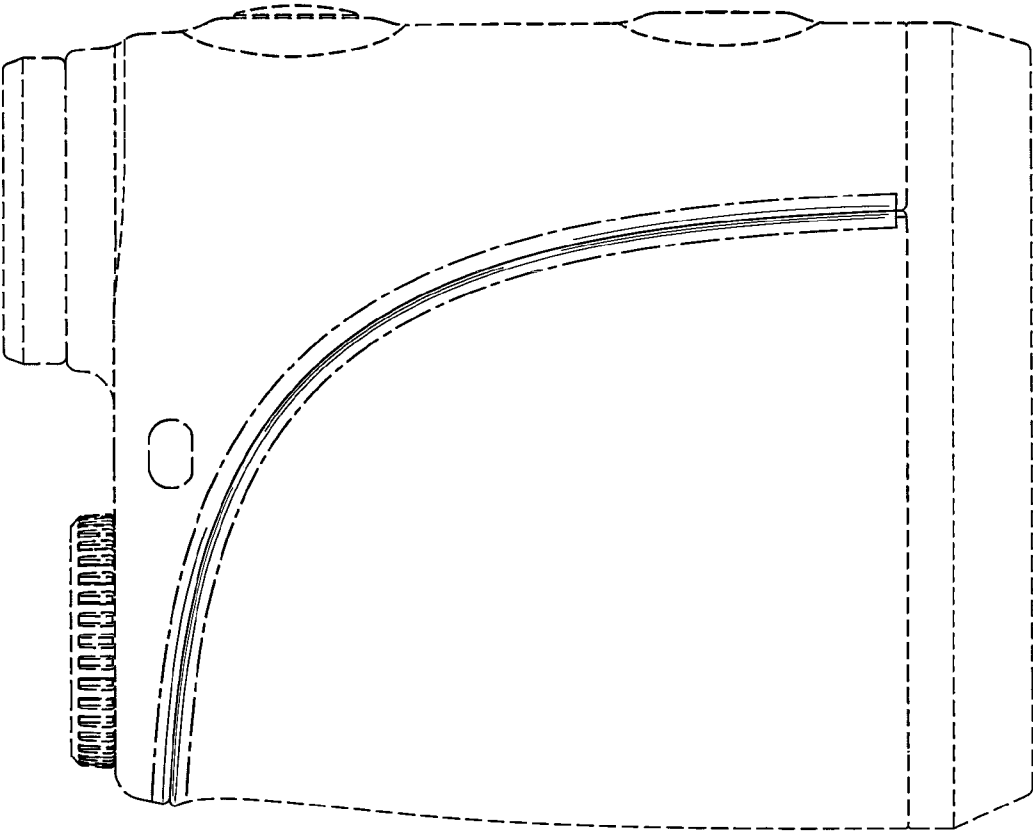


FIG. 5

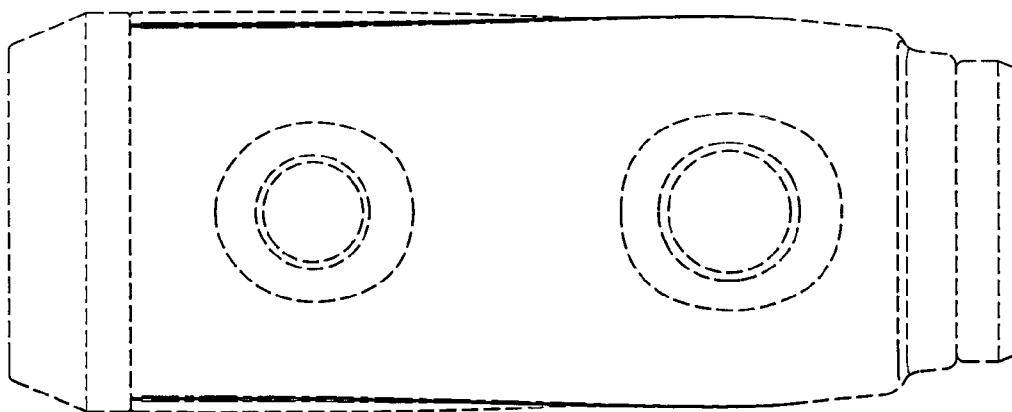


FIG. 6

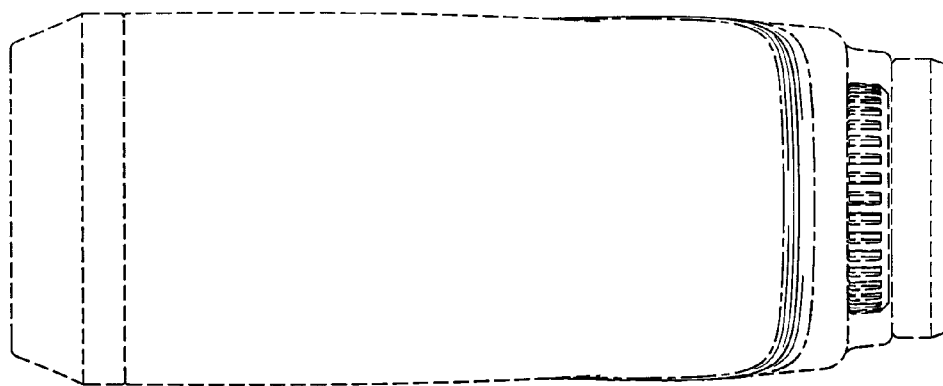


FIG. 7

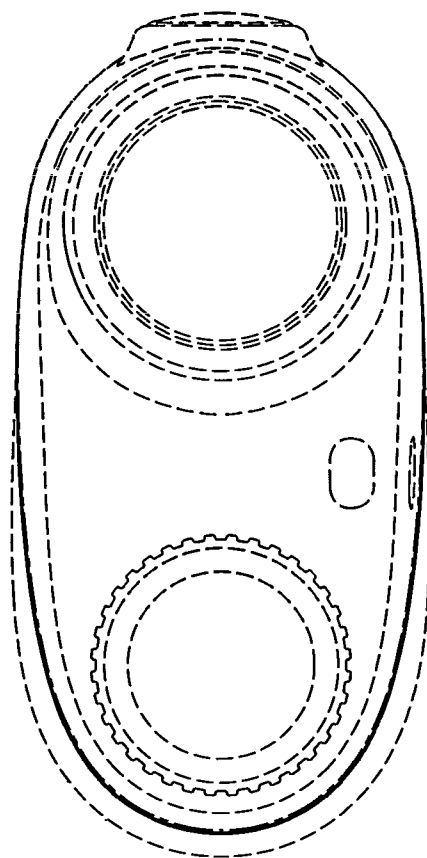


FIG. 8

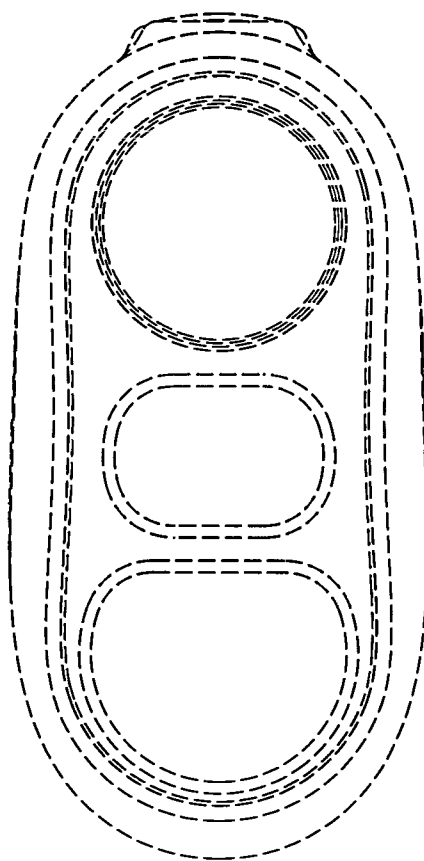


FIG. 9

