

(19) World Intellectual Property Organization
International Bureau



(43) International Publication Date
30 November 2006 (30.11.2006)

PCT

(10) International Publication Number
WO 2006/128167 A3

- (51) International Patent Classification:
A61M 16/00 (2006.01)
- (21) International Application Number:
PCT/US2006/020903
- (22) International Filing Date: 26 May 2006 (26.05.2006)
- (25) Filing Language: English
- (26) Publication Language: English
- (30) Priority Data:
60/685,559 27 May 2005 (27.05.2005) US

(74) Agents: HODGES, Robert, A. et al.; NEEDLE & ROSENBERG, P.C., SUITE 1000, 999 Peachtree Street, Atlanta, GA 30309-3915 (US).

(81) Designated States (unless otherwise indicated, for every kind of national protection available): AE, AG, AL, AM, AT, AU, AZ, BA, BB, BG, BR, BW, BY, BZ, CA, CH, CN, CO, CR, CU, CZ, DE, DK, DM, DZ, EC, EE, EG, ES, FI, GB, GD, GE, GH, GM, HR, HU, ID, IL, IN, IS, JP, KE, KG, KM, KN, KP, KR, KZ, LC, LK, LR, LS, LT, LU, LV, LY, MA, MD, MG, MK, MN, MW, MX, MZ, NA, NG, NI, NO, NZ, OM, PG, PH, PL, PT, RO, RU, SC, SD, SE, SG, SK, SL, SM, SY, TJ, TM, TN, TR, TT, TZ, UA, UG, US, UZ, VC, VN, YU, ZA, ZM, ZW.

(71) Applicant (for all designated States except US): BOARD OF REGENTS, THE UNIVERSITY OF TEXAS SYSTEM [US/US]; 201 West Seventh Street, Austin, TX 78701 (US).

(84) Designated States (unless otherwise indicated, for every kind of regional protection available): ARIPO (BW, GH, GM, KE, LS, MW, MZ, NA, SD, SL, SZ, TZ, UG, ZM, ZW), Eurasian (AM, AZ, BY, KG, KZ, MD, RU, TJ, TM), European (AT, BE, BG, CH, CY, CZ, DE, DK, EE, ES, FI, FR, GB, GR, HU, IE, IS, IT, LT, LU, LV, MC, NL, PL, PT, RO, SE, SI, SK, TR), OAPI (BF, BJ, CF, CG, CI, CM, GA, GN, GQ, GW, ML, MR, NE, SN, TD, TG).

(72) Inventors; and

(75) Inventors/Applicants (for US only): FELDMAN, Mark, D. [US/US]; 11 Royal Gardens, San Antonio, TX 78248 (US). MILNER, Thomas, E. [US/US]; 6221 Edwards Mountain Cove, Austin, TX 78731 (US). OH, Jung-Hwan [US/US]; 2207 Wickersham Lane, No. 406, Austin, TX 78741 (US). MEHMET, Cilingiroglu [US/US]; 4114 MEDICAL DRIVE, Apt. 4306, San Antonio, TX 78229 (US).

Published:

— with international search report

(88) Date of publication of the international search report:
14 May 2009

(54) Title: OPTICAL COHERENCE TOMOGRAPHIC DETECTION OF CELLS AND COMPOSITIONS

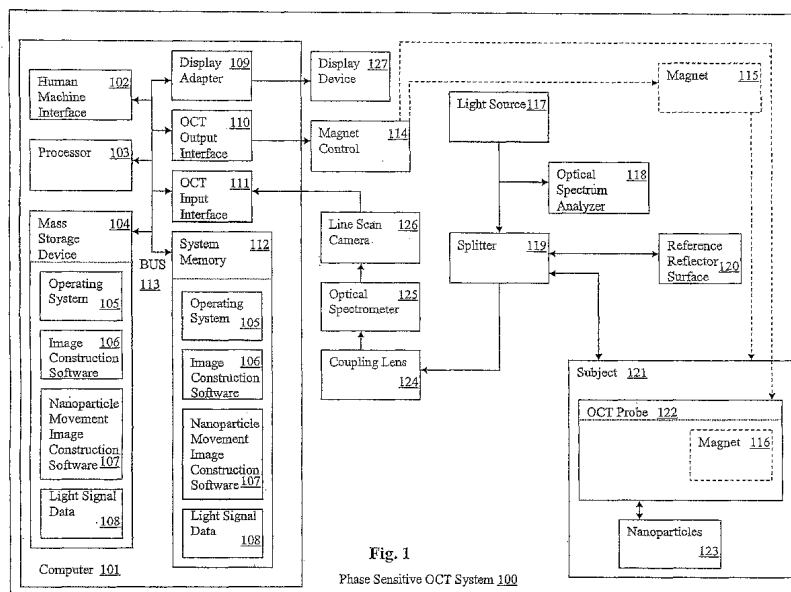


Fig. 1
Phase Sensitive OCT System 100

(57) Abstract: Provided herein are systems and methods for the detection of cells and compositions using optical coherence tomography.



WO 2006/128167 A3

INTERNATIONAL SEARCH REPORT

International application No.

PCT/US06/20903

A. CLASSIFICATION OF SUBJECT MATTER

IPC: **A61B 5/05**(2006.01);**A61B 6/00**(2006.01)

USPC: 600/423,473,476

According to International Patent Classification (IPC) or to both national classification and IPC

B. FIELDS SEARCHED

Minimum documentation searched (classification system followed by classification symbols)
U.S. : 600/423,473,476

Documentation searched other than minimum documentation to the extent that such documents are included in the fields searched

Electronic data base consulted during the international search (name of data base and, where practicable, search terms used)

C. DOCUMENTS CONSIDERED TO BE RELEVANT

Category *	Citation of document, with indication, where appropriate, of the relevant passages	Relevant to claim No.
X,P	US 2005/0171433 A1 (BOPPART et al) 4 August 2005 (04.09.2005), par. 3, 14, 16, 41,42.	1-71
X	US 2004/0258759 A1 (SUSLICK et al) 23 December 2004 (23.12.2004), abstract, par. 2, 5, 23.	1-33 and 35-71
A, E	US 2006/0256343 A1 (CHOMA et al.) 16 November 2006 (16.11.2006), see entire document.	1-71
A, P	US 2005/0203424 A1 (BOESE et al) 15 September 2005 (15.09.2005), see entire document.	1-71
A	US 2004/0239942 A1 (SUN) 02 December 2004 (02.12.2004), abstract.	1-71

Further documents are listed in the continuation of Box C.

See patent family annex.

* Special categories of cited documents:

"A" document defining the general state of the art which is not considered to be of particular relevance

"E" earlier application or patent published on or after the international filing date

"L" document which may throw doubts on priority claim(s) or which is cited to establish the publication date of another citation or other special reason (as specified)

"O" document referring to an oral disclosure, use, exhibition or other means

"P" document published prior to the international filing date but later than the priority date claimed

"T" later document published after the international filing date or priority date and not in conflict with the application but cited to understand the principle or theory underlying the invention

"X" document of particular relevance; the claimed invention cannot be considered novel or cannot be considered to involve an inventive step when the document is taken alone

"Y" document of particular relevance; the claimed invention cannot be considered to involve an inventive step when the document is combined with one or more other such documents, such combination being obvious to a person skilled in the art

"&" document member of the same patent family

Date of the actual completion of the international search

15 March 2007 (15.03.2007)

Date of mailing of the international search report

19 FEB 2008

Name and mailing address of the ISA/US

Mail Stop PCT, Attn: ISA/US
Commissioner for Patents
P.O. Box 1450
Alexandria, Virginia 22313-1450

Facsimile No. (571) 273-3201

Authorized officer

Ellsworth Weatherby

Telephone No. (571) 272-2248