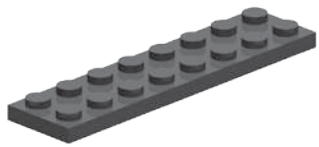
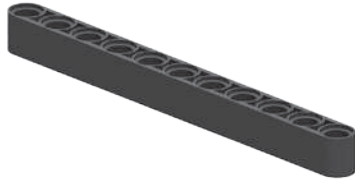


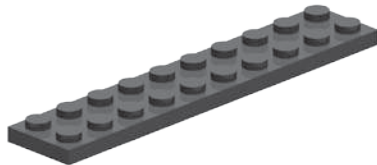
BILL OF MATERIALS



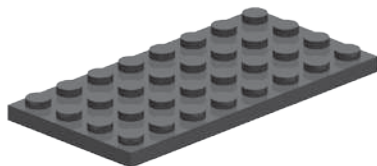
3034 black x6



32525 black x2



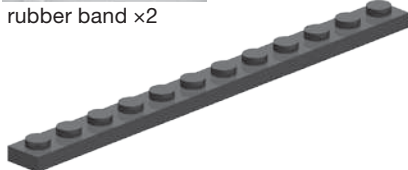
3832 black x4



3035 black x2



rubber band x2



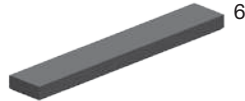
60479 black x2



3895 black x4



32002 dk grey x8



6636 black x5



3666 black x5



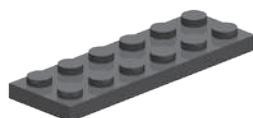
3894 black x1



3009 black x3



32065 black x1



3795 black x6



2456 black x2



3701 black x1



2420 black x8



3676 black x2



3039 black x3



32449 black x1



3705 black x5



2431 black x9



3710 black x13



3021 black x11



3747a black x1



3038 black x2



3002 black x2



3004 black x7



3700 black x5



6091 black x2



32530 black x1



4460 black x2



6632 black x5



42003 black x1



4519 black x3



6558 black x1



41678 black x2



3713 lt grey x2



4265c lt grey x3



4073 black x1



Mod-A black x2*



Mod-B lt grey x2*



4274 lt grey x45



3024 black x4



6541 black x9



3005 black x2



43857 black x1



6628 black x2



41677 black x11



6536 black x3



32017 black x3



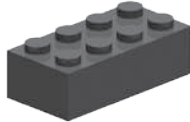
32250 black x1



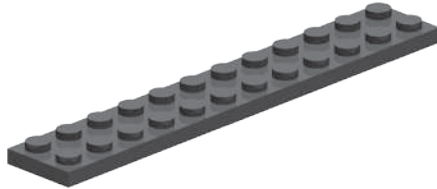
32316 black x4



3020 black x9



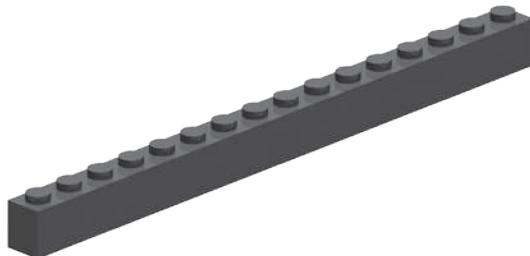
3001 black x5



2445 black x2



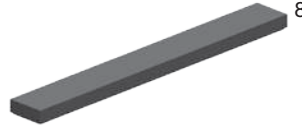
32018 black x1



2465 black x2



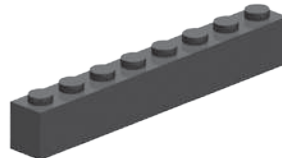
3703 black x1



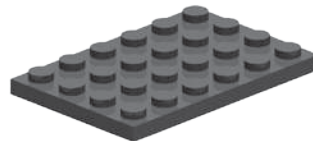
4162 black x6



3460 black x7



3008 black x5



3032 black x1



4477 black x5



32523 black x2



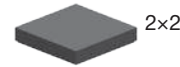
32184 black x2



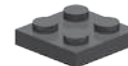
3623 black x8



3622 black x7



3068b black x2



3022 black x14



2357 black x3



3660 black x2



32062 black x5



3749 lt grey x5



2780 black x10



3941 black x1



3069b black x7



3794 black x2



3023 black x28



75535 yellow x1

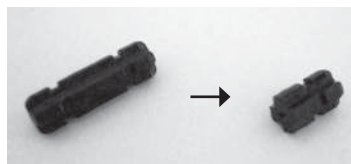


32064b black x1

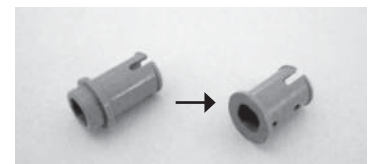


32000 black x3

*** MODIFIED PIECES**



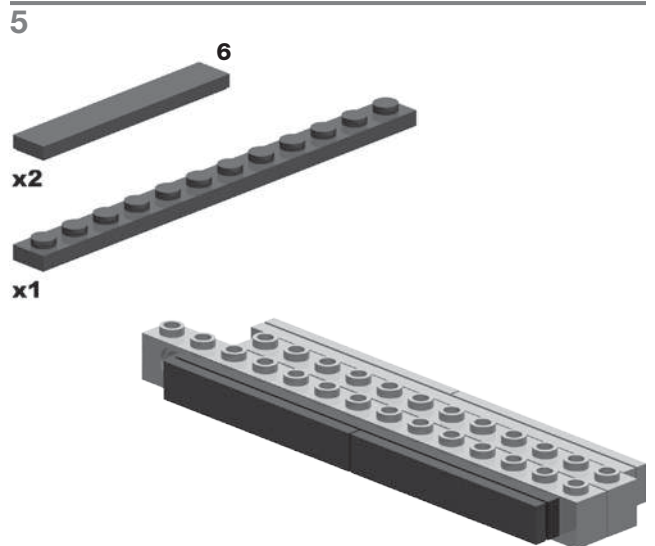
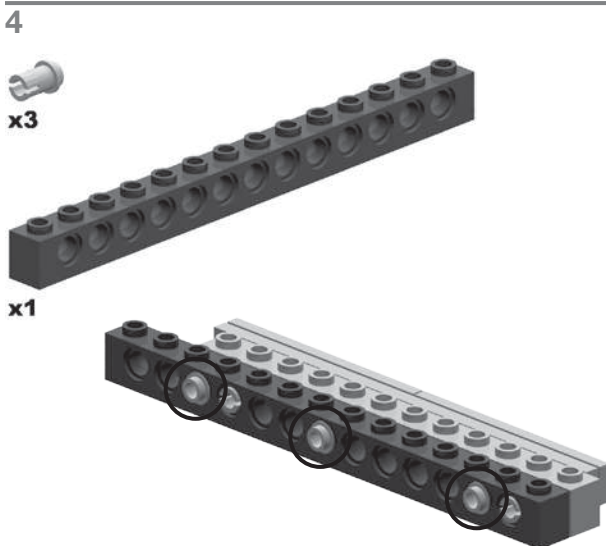
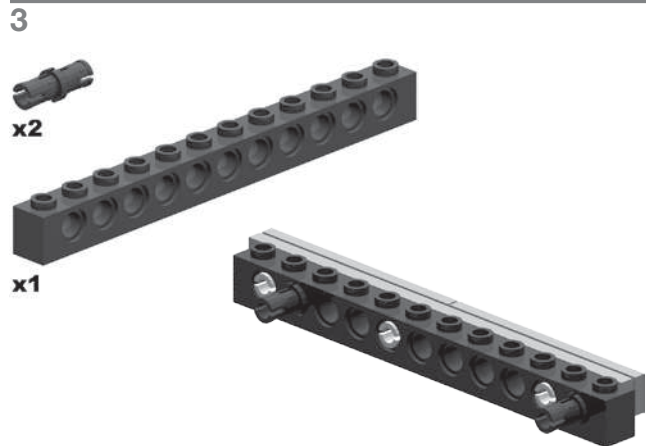
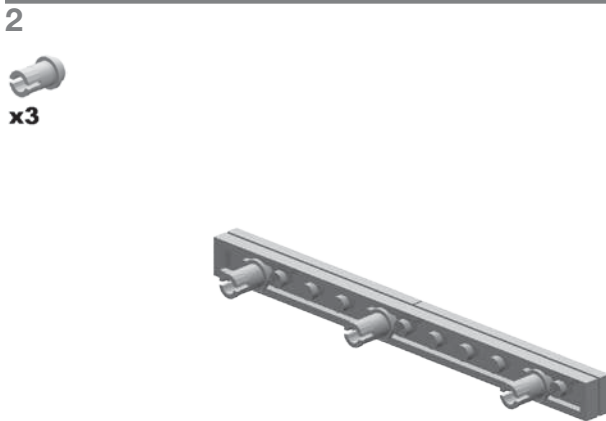
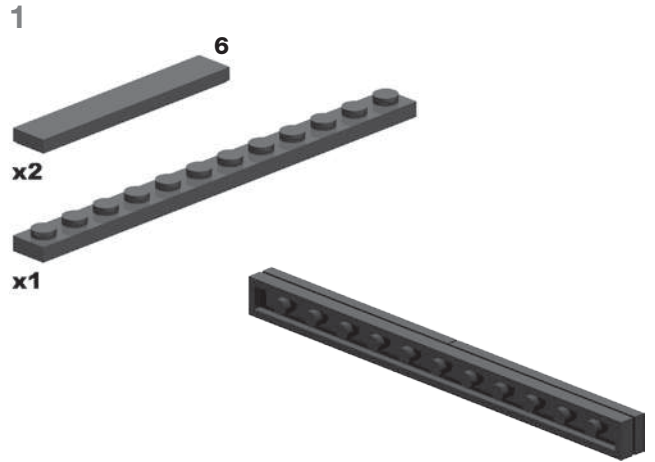
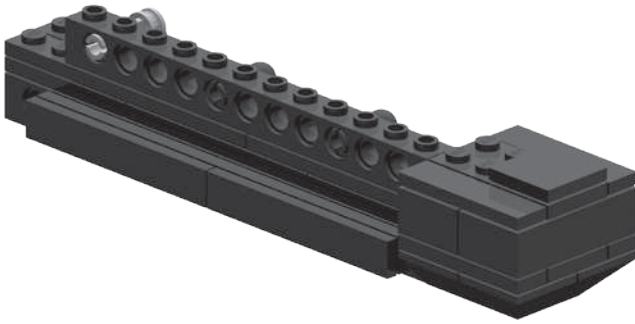
Mod-A (#32062) black x2



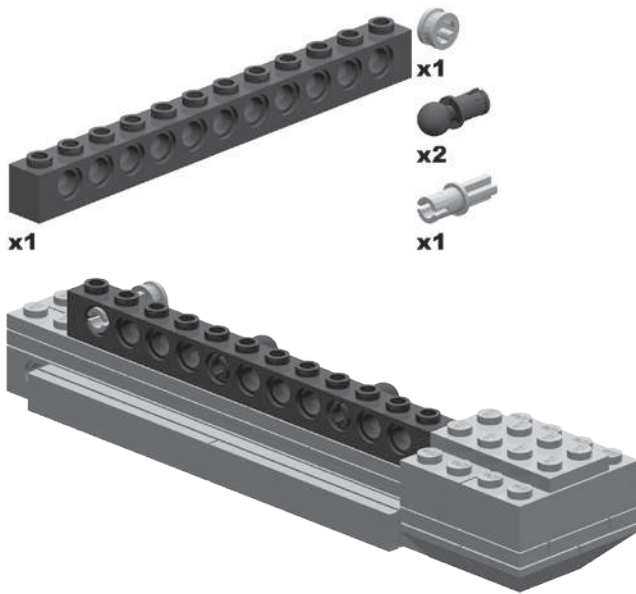
Mod-B (#4274) light grey x2

Modify two axles and two half pins by cutting them with a sharp knife so they're each one stud long. In these photos, I've modified a #32062 axle (though any axle will do) and a #4274 pin. Note that the quantities given in the BOM for the #32062 axle (x5) and the #4274 pin (x45) don't include the modified pieces—you'll need two more of each to make a total of four modified pieces.

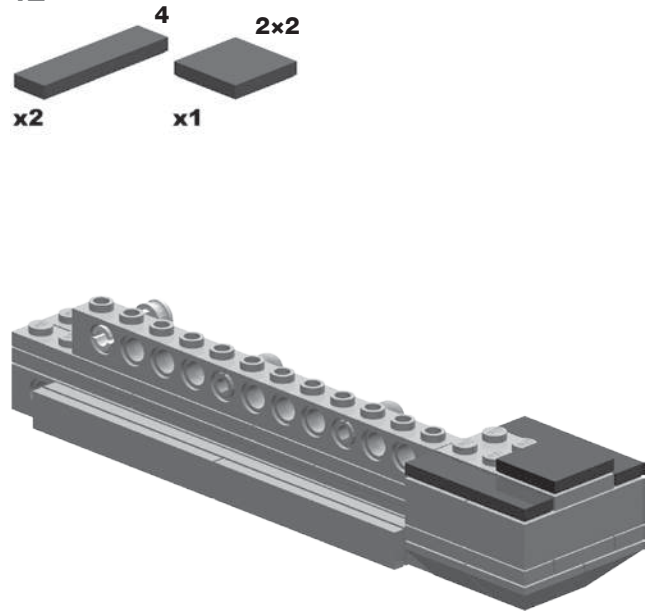
GRIP FRONT



11



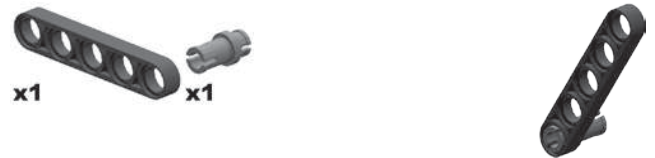
12



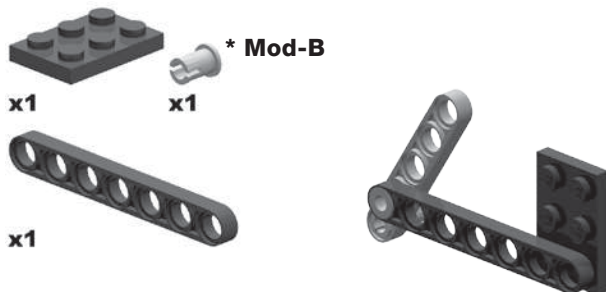
TRIGGER



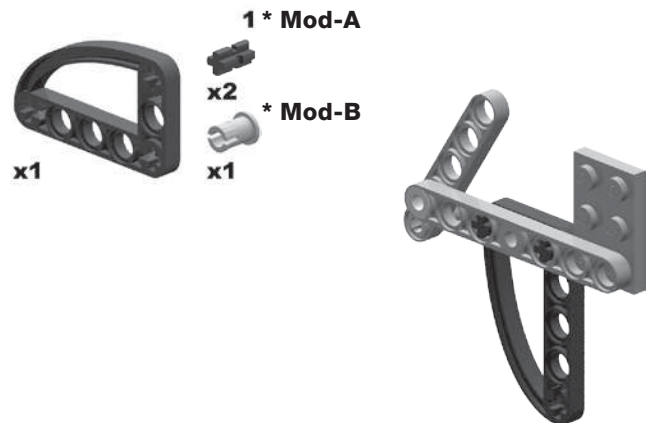
1



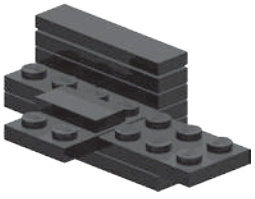
2



3



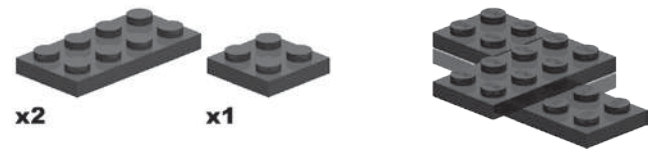
GRIP UNDERSIDE



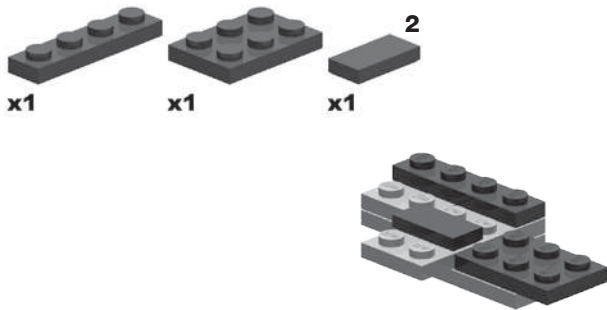
1



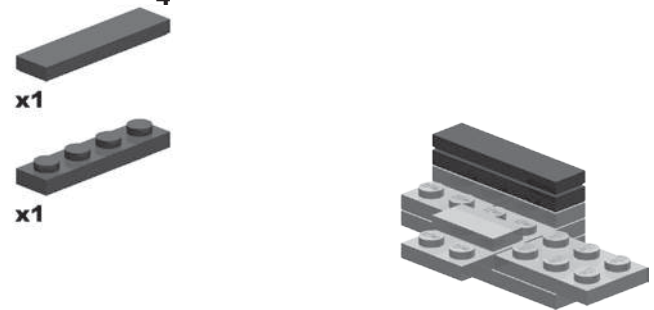
2



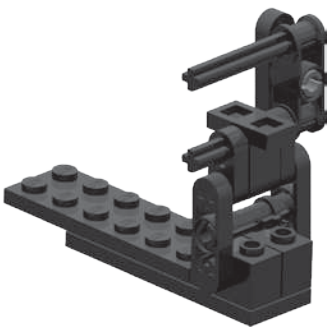
3



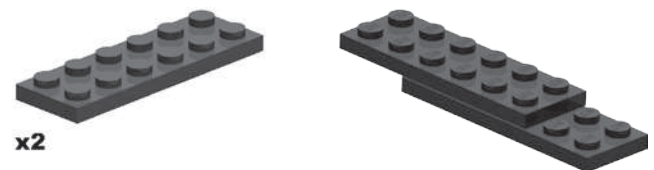
4



TRIGGER GUARD



1



2



x2



3



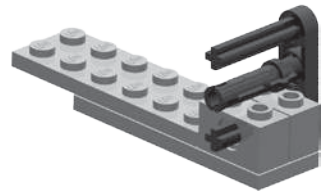
x1



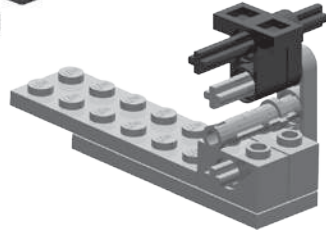
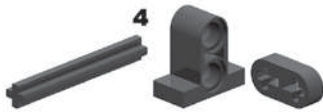
x2



x1



4

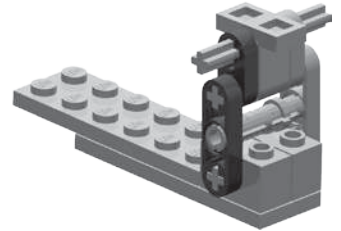


5



x1

x1

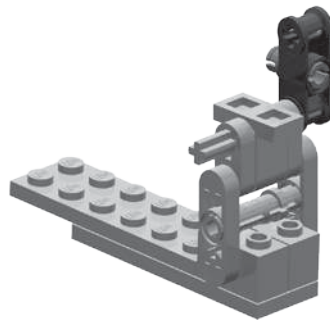


6



x1

x1



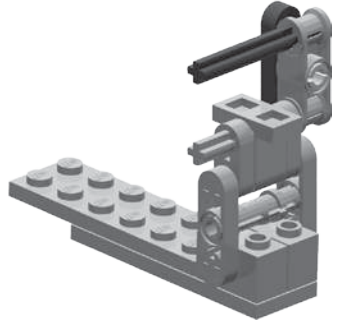
7



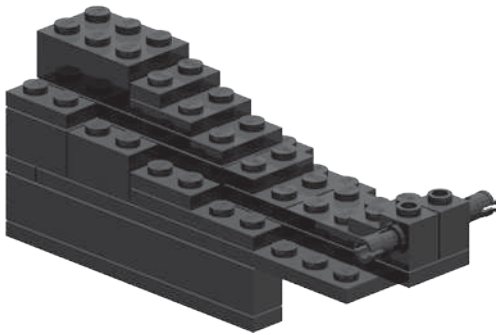
x1



x1



GRIP HANDLE BACK



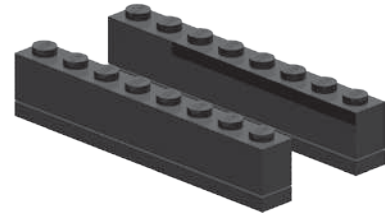
1



x2



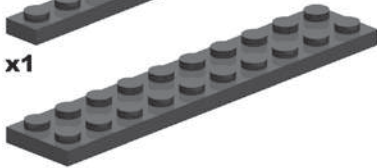
x2



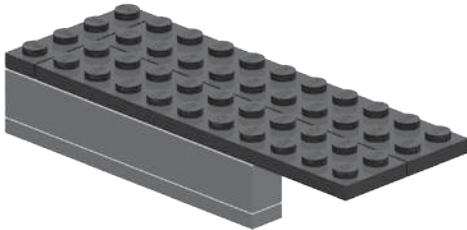
2



x1



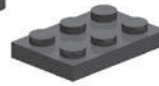
x2



3



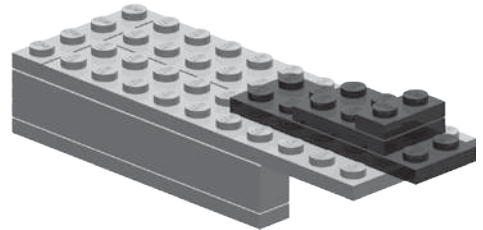
x1



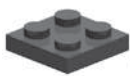
x1



x1



4



x1



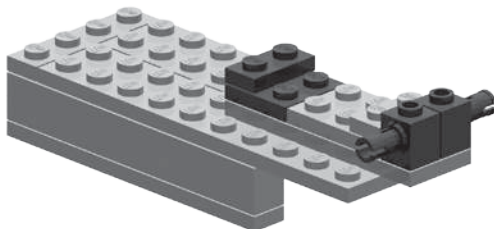
x1



x2



x2



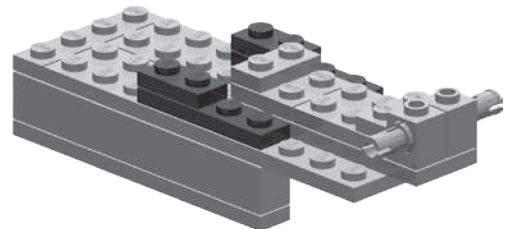
5



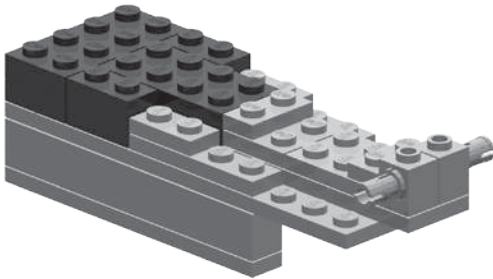
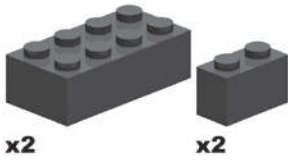
x2



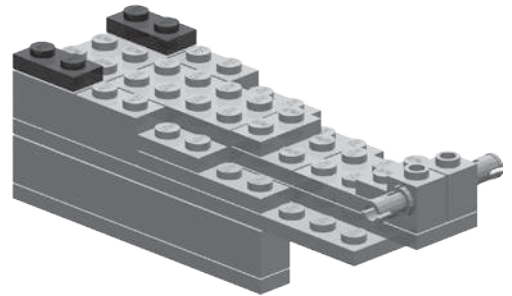
x2



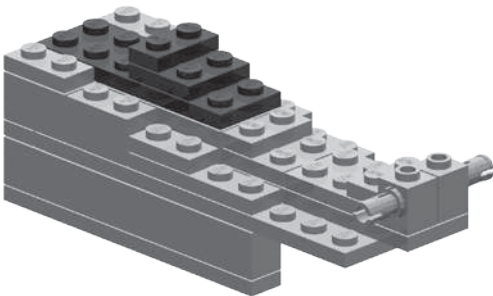
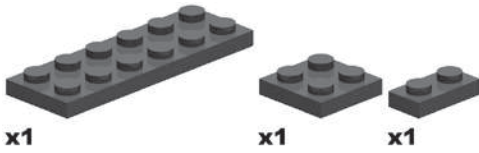
6



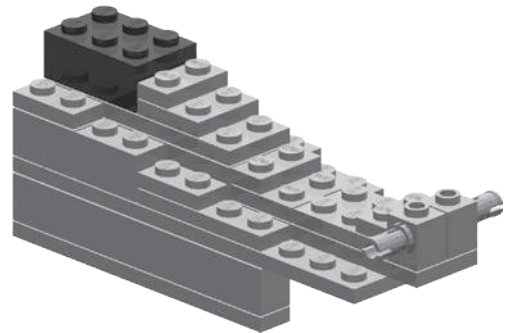
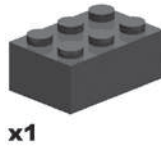
7



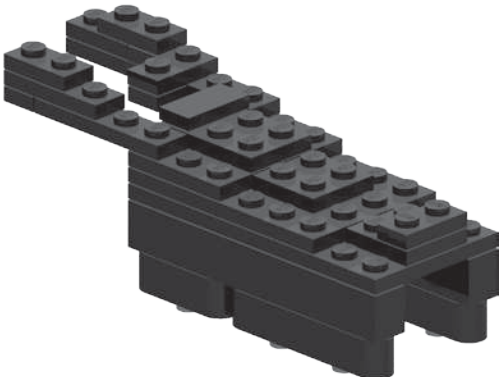
8



9



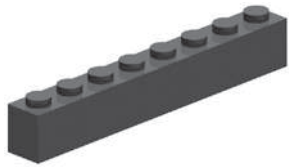
GRIP HANDLE FRONT



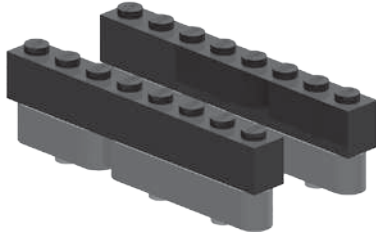
1



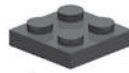
2



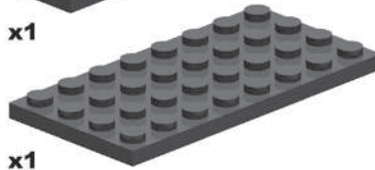
x2



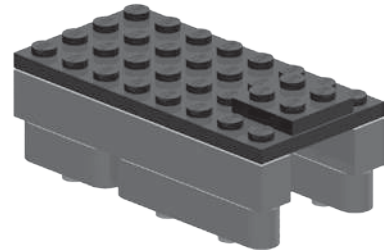
3



x1



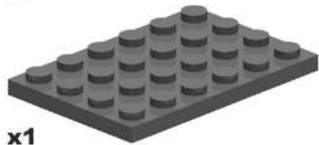
x1



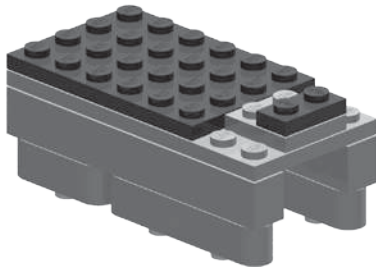
4



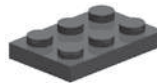
x1



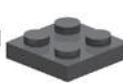
x1



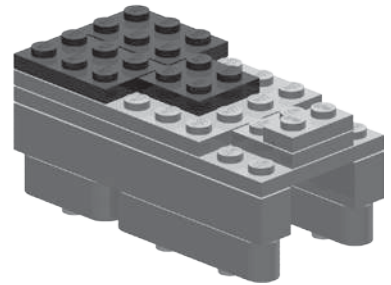
5



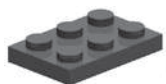
x2



x1



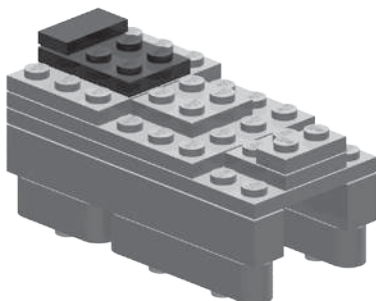
6



x1



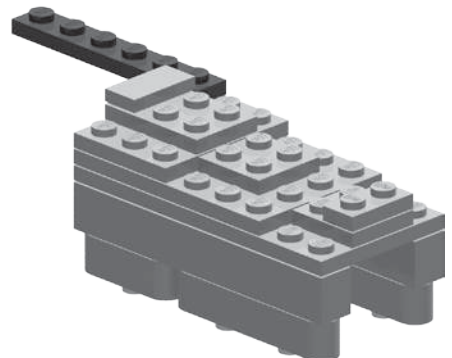
x1



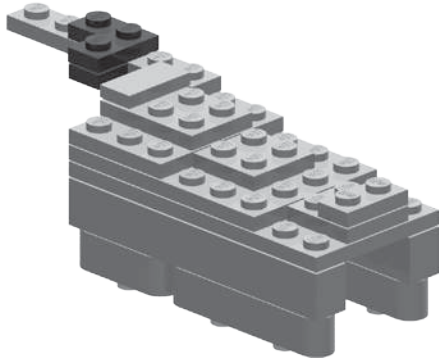
7



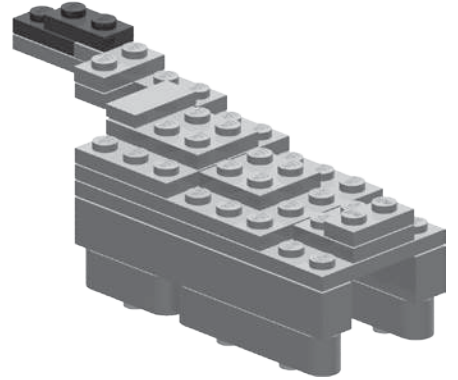
x1



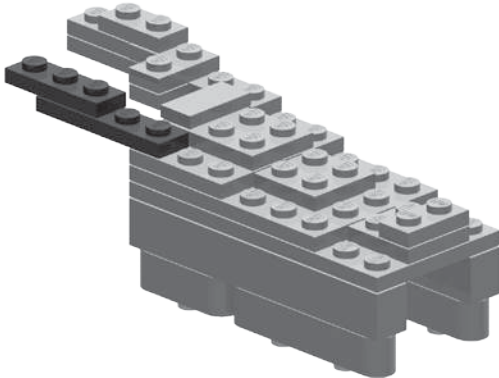
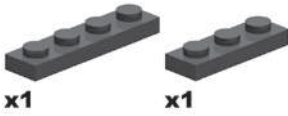
8



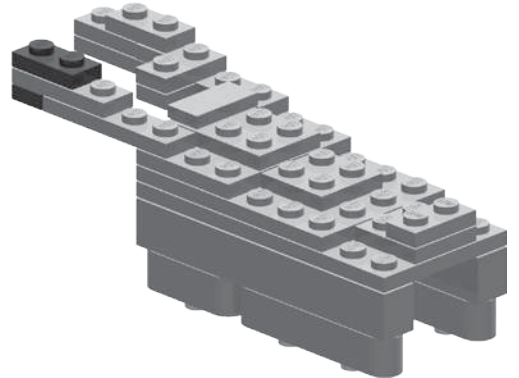
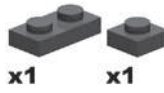
9



10



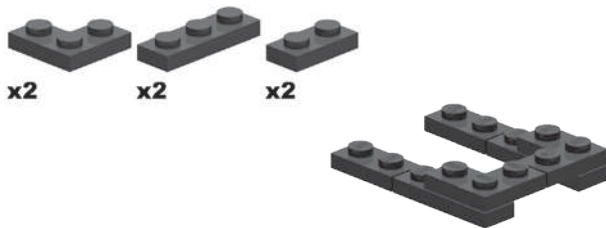
11



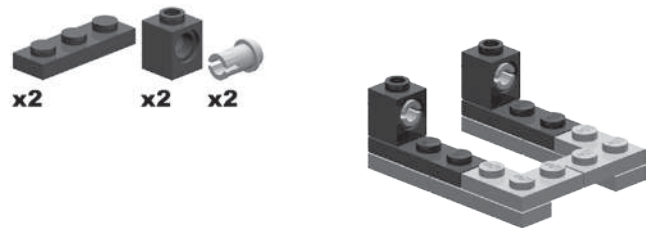
GRIP ASSEMBLY



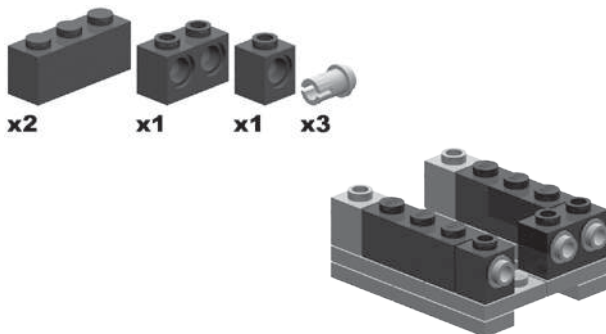
1



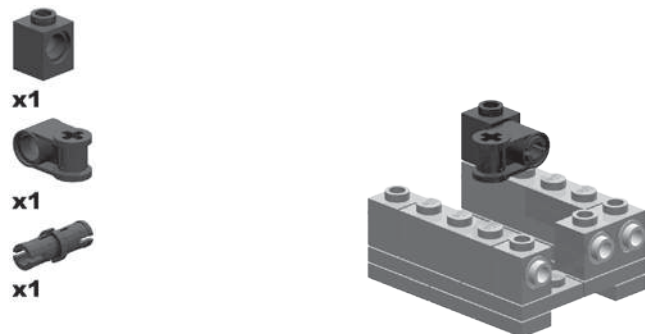
2



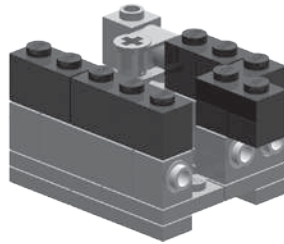
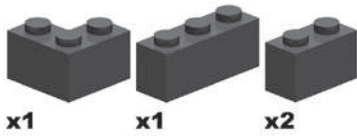
3



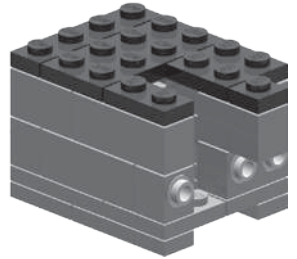
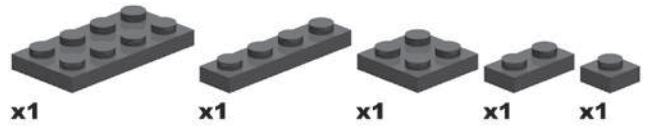
4



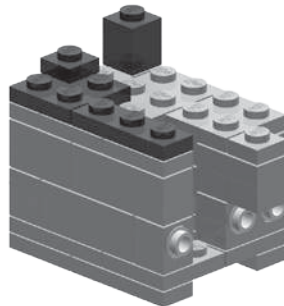
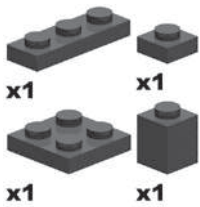
5



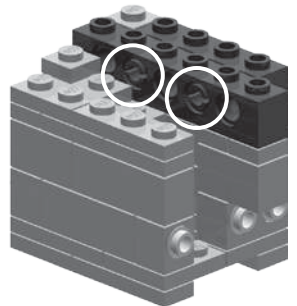
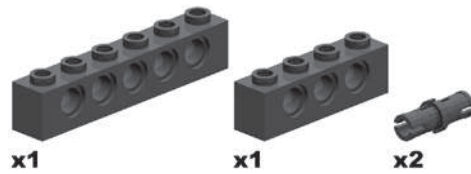
6



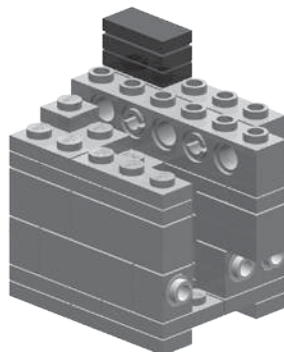
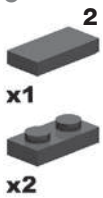
7



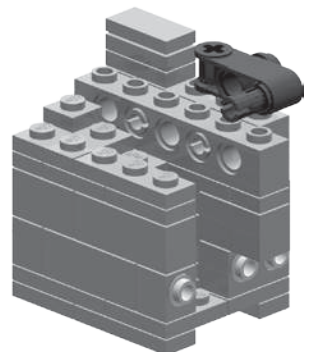
8



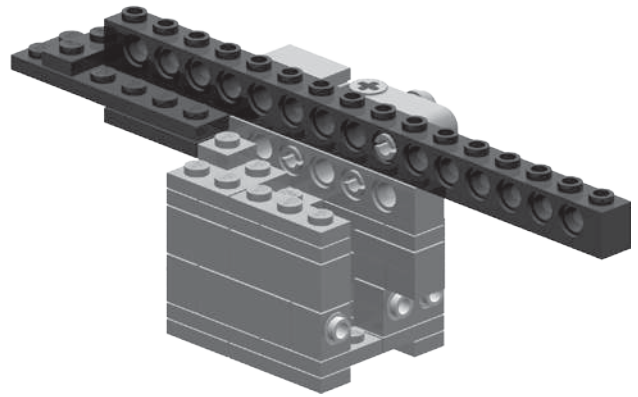
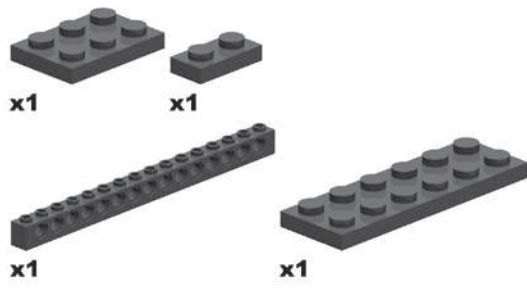
9



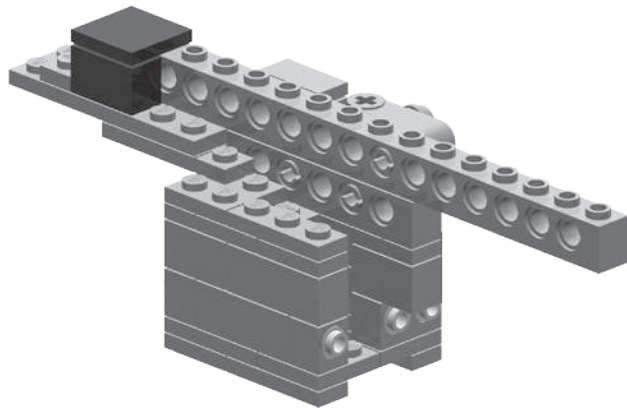
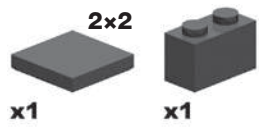
10



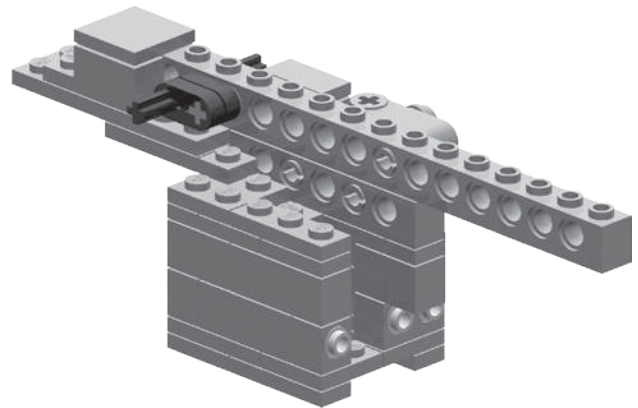
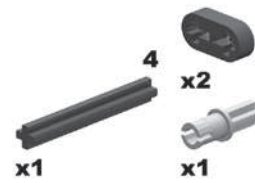
11



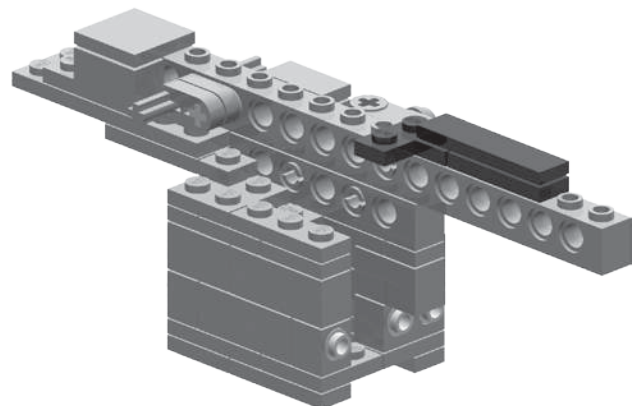
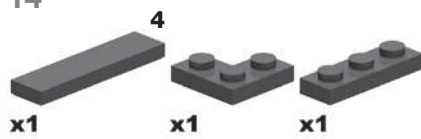
12



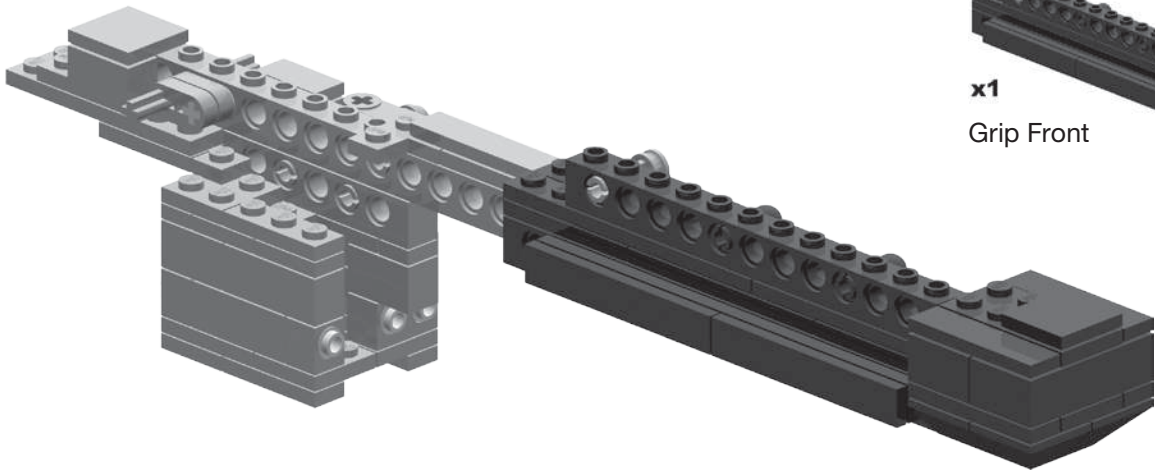
13



14

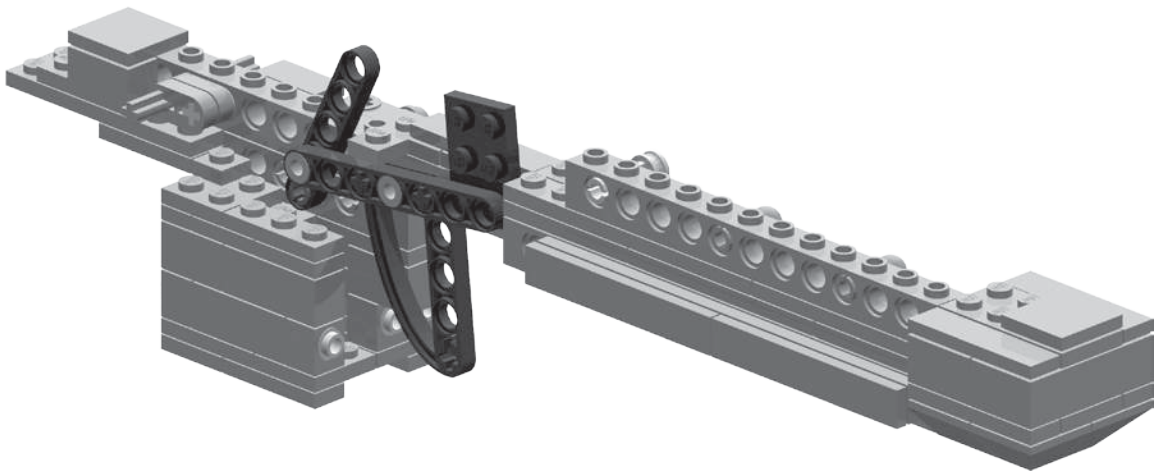


15



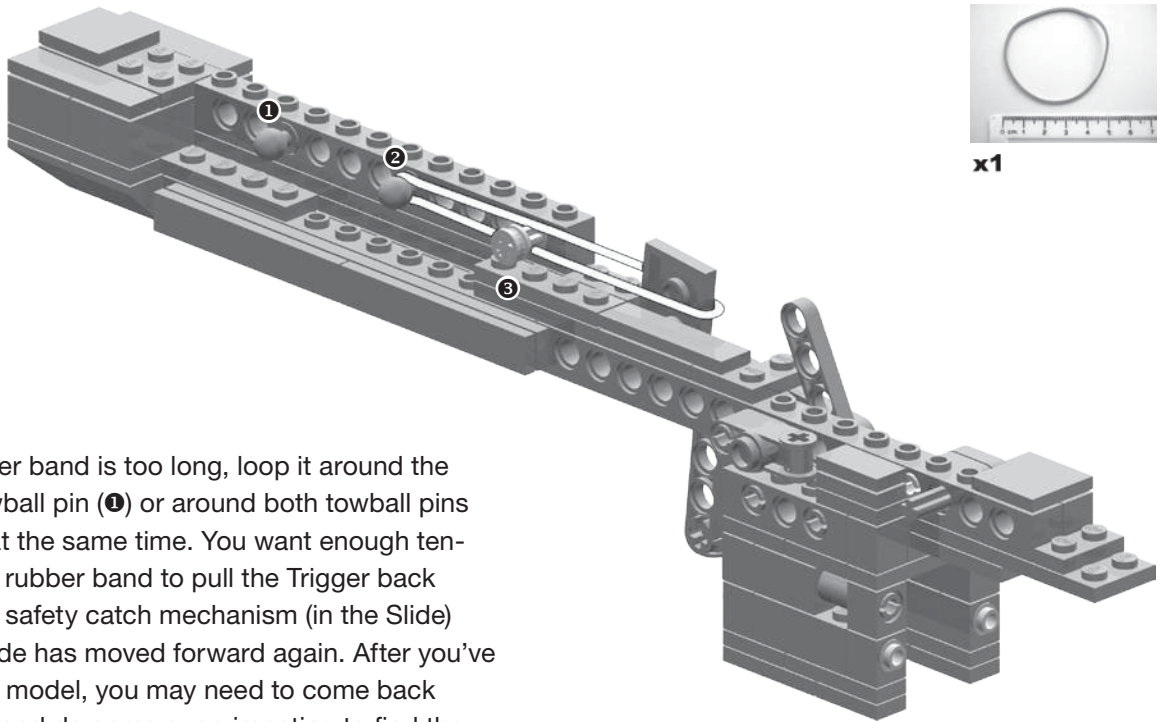
x1
Grip Front

16



x1
Trigger

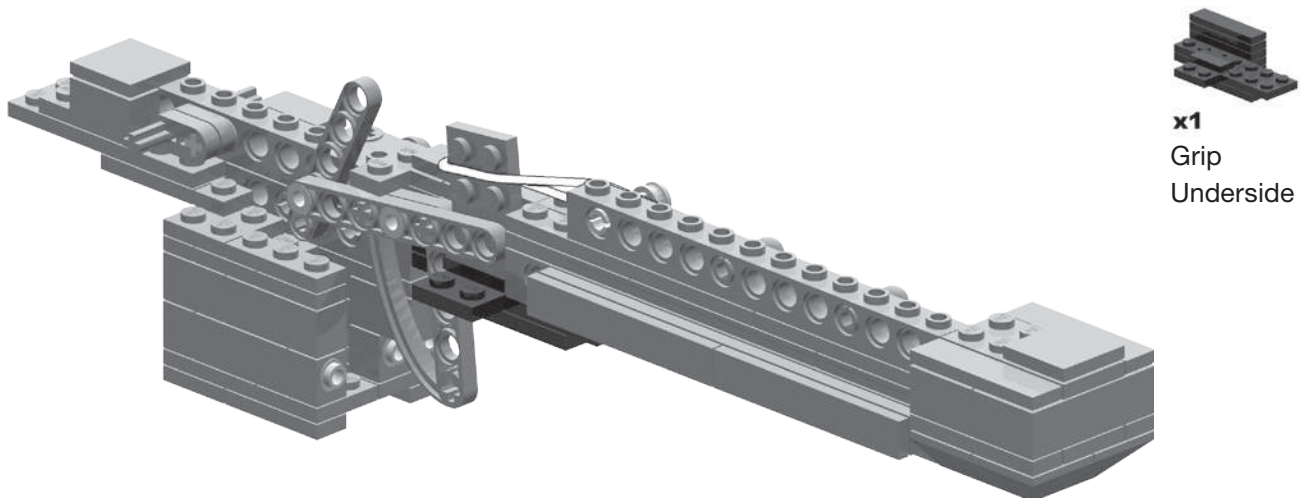
17



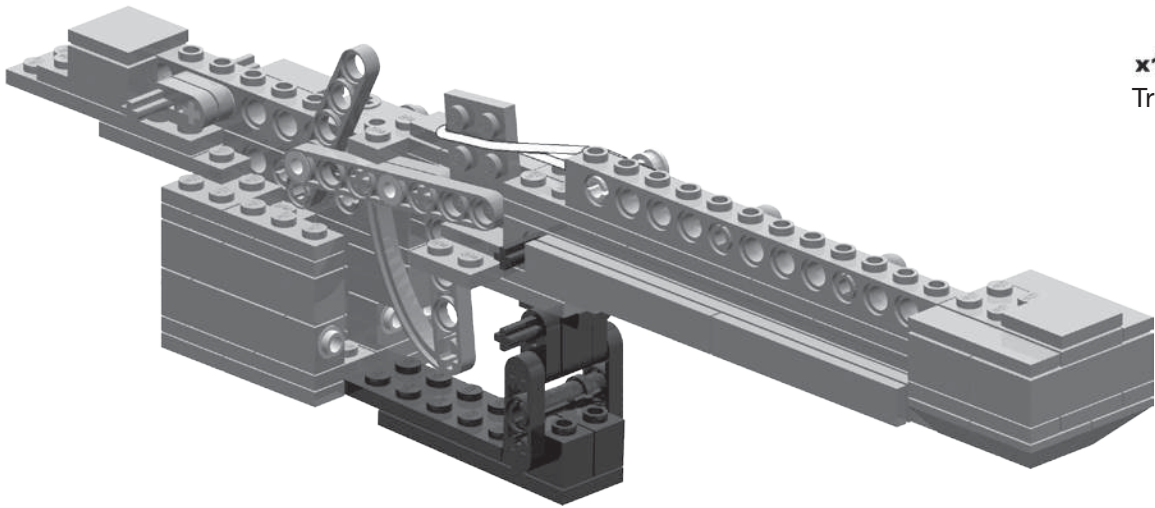
If your rubber band is too long, loop it around the farthest towball pin (1) or around both towball pins (1 and 2) at the same time. You want enough tension in your rubber band to pull the Trigger back through the safety catch mechanism (in the Slide) after the Slide has moved forward again. After you've finished the model, you may need to come back to this step and do some experimenting to find the optimal amount of tension.

Make sure the rubber band fits between the 12-stud Technic brick and the 1/2-stud bushing as shown at 3—this will stop interference between this rubber band and the one that powers the Slide.

18

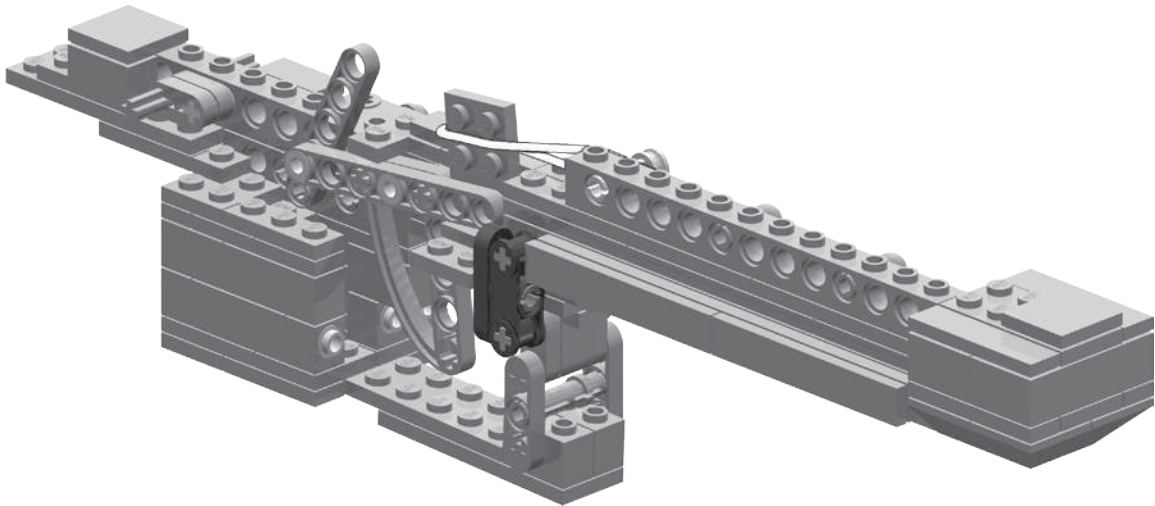


19



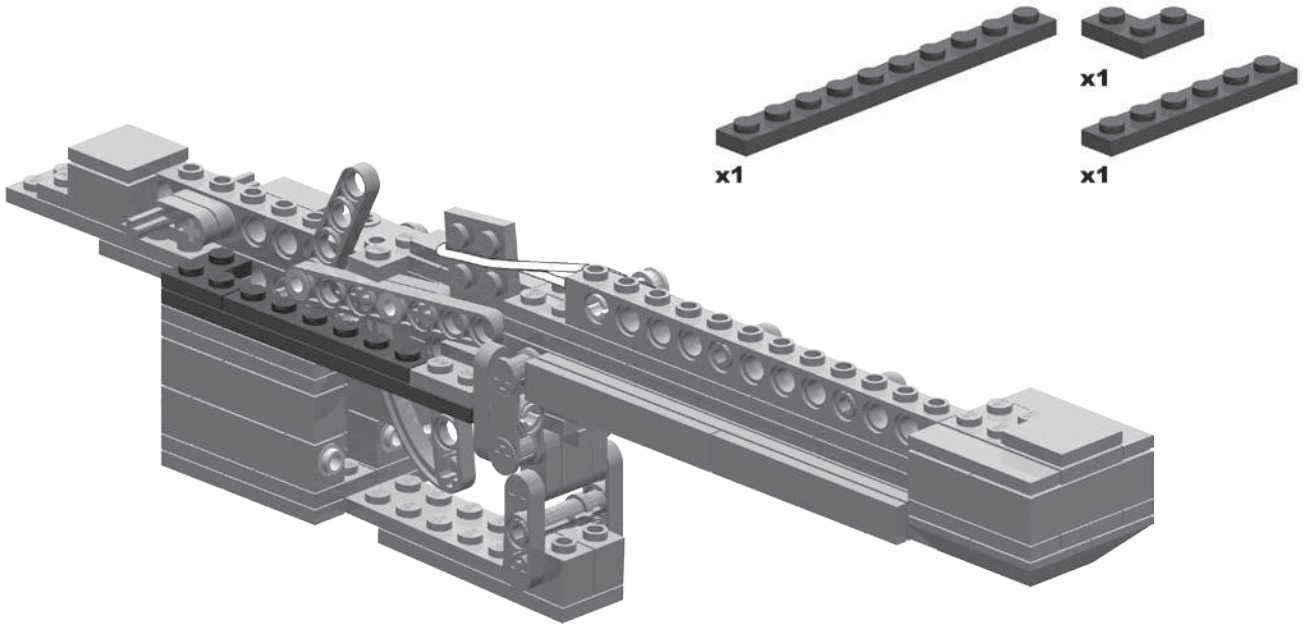
x1
Trigger Guard

20

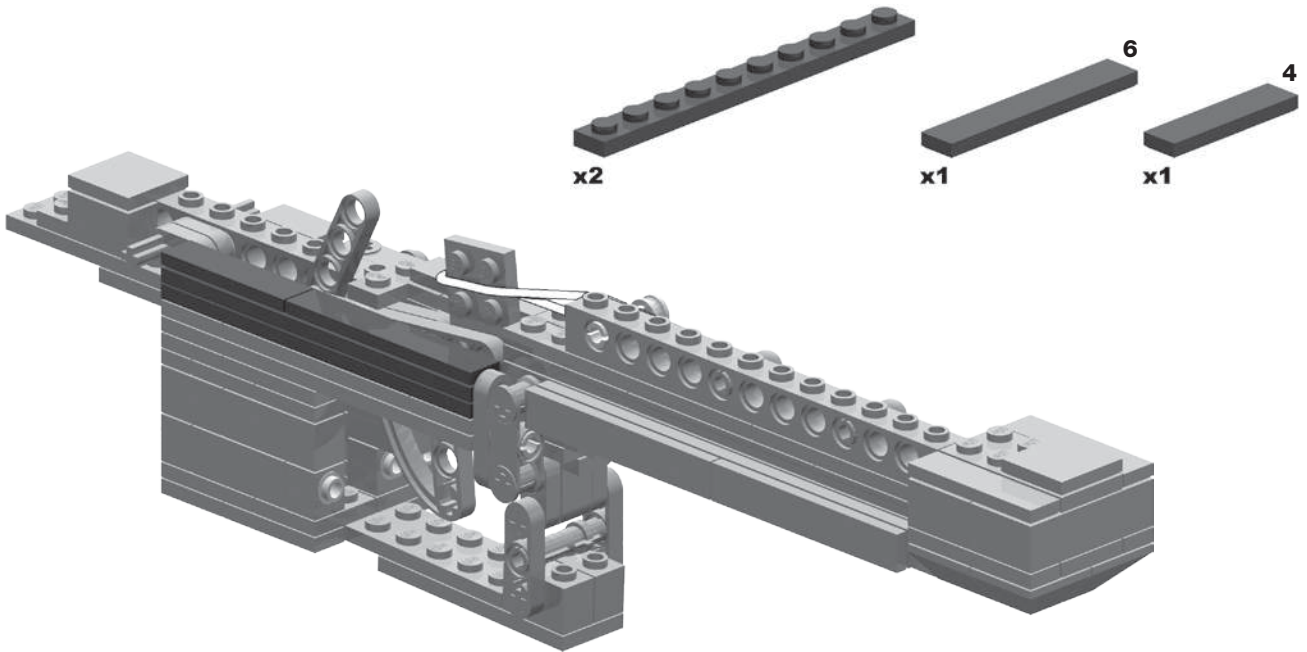


x1 **x1** **x1**

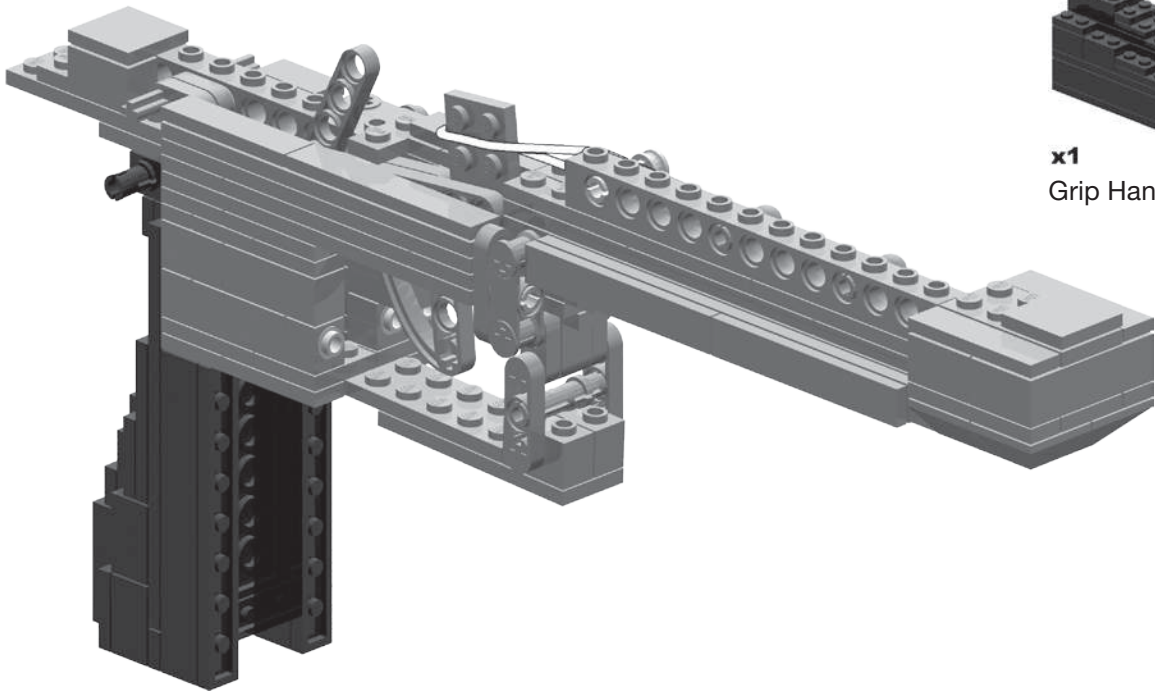
21



22

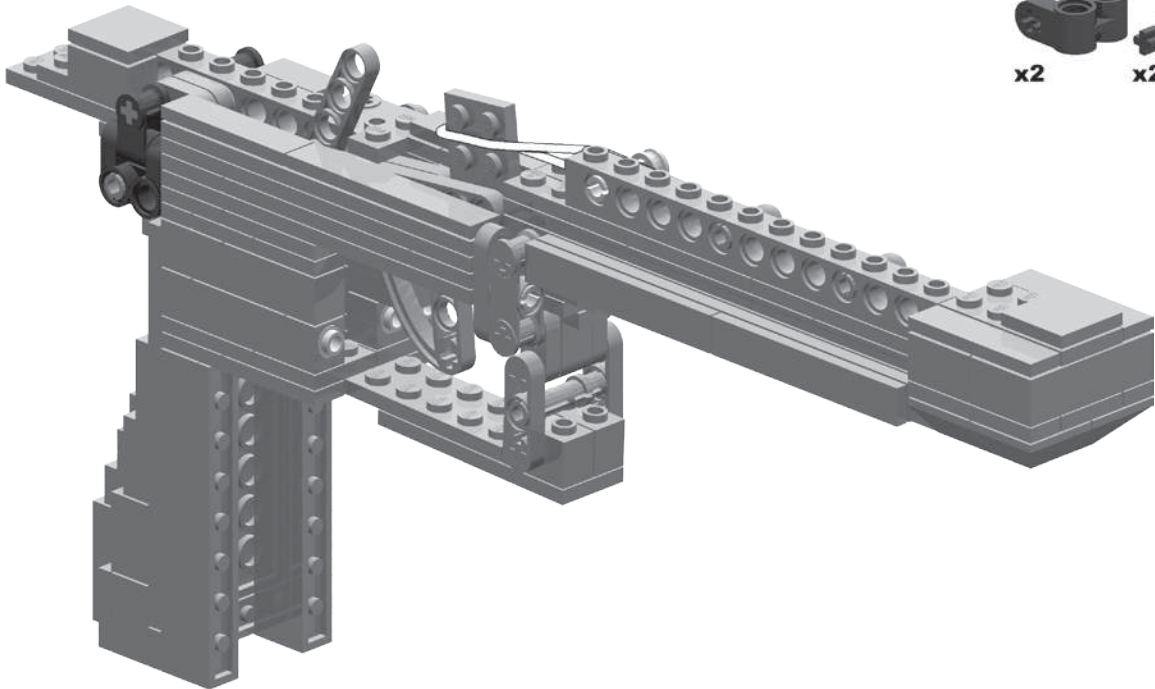


23



x1
Grip Handle Back

24



x2 **2** **x2** **x2**