



P3.0-T-11

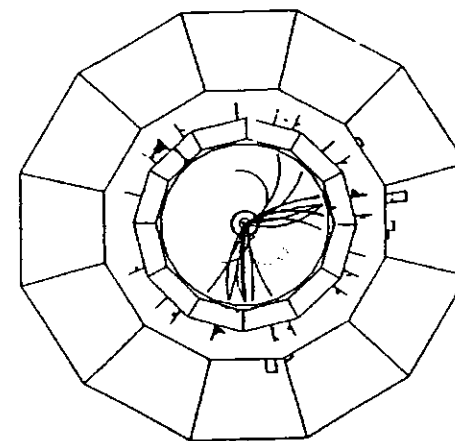
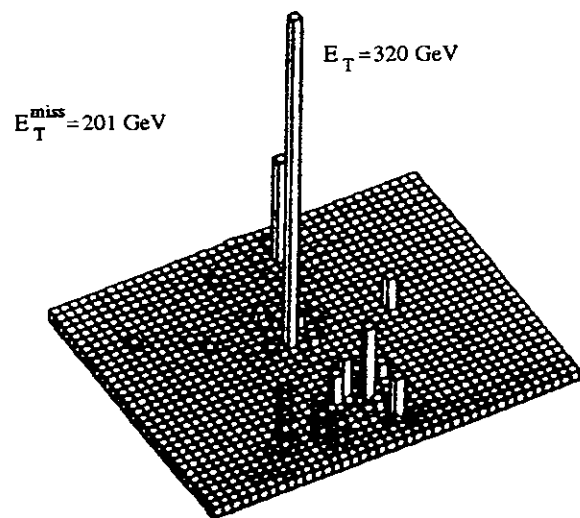
CERN-TH.6707/92 - PPE/92-180

# TEN YEARS OF SUSY CONFRONTING EXPERIMENT

7-9 September 1992

CERN

WORKSHOP  
ORGANIZED BY



J. Ellis (*CERN*)

D.V. Nanopoulos (*Texas A&M, HARC and CERN*)

A. Savoy-Navarro (*CE-Saclay / IN2P3*)

この出版物は未入力です。

図書室でご覧下さい。

This publication is not inputted,  
please come and look at the Library.