

# MARLIN 40



The MARLIN 40 is a state-of-the-art technology naval gun system aimed to confirm the Leonardo's leadership in the 40 mm calibers segment thanks to its outstanding performances suitable for Anti-Surface Warfare (ASuW) as well as Anti-Air Warfare (AAW).

The MARLIN 40 features light weight and compact dimensions such to make it installable on a wide variety of surface vessels as primary or secondary armament and allow ease of integration with existing Combat Management Systems and equipment.

The MARLIN 40 uses a recoil-actuated machine gun, fed by an automatic system able to manage two different types of rounds selectable as a function of the specific threat.

The MARLIN 40 can fire all types of 40L70 ammunitions, including those with programmable fuzes.

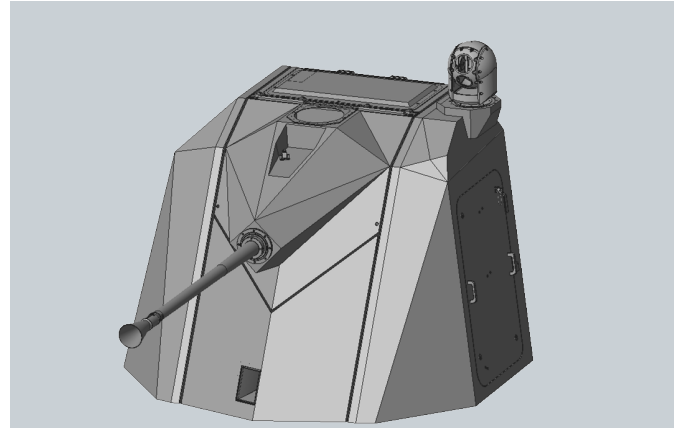
The MARLIN 40 is equipped with powerful servosystems, stabilized in both azimuth and elevation, and a stealth shield to minimize the RCS and allow the operation in the most severe environments.

Two different configurations can be provided:

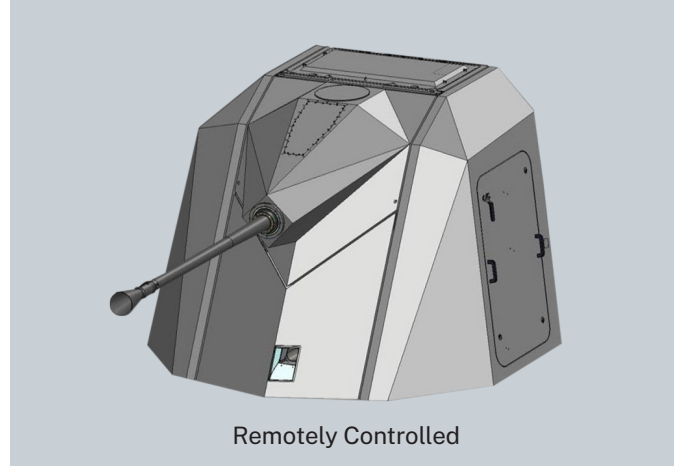
- RC - "Remotely Controlled"  
It is fully managed by an external Firing Control System by receiving the stabilized firing coordinates. A muzzle velocity RADAR can be integrated to optimize the ballistic calculation.
- ILOS - "Independent Line Of Sight"  
It can operate in autonomous mode, through its own Local Control Console, by computing the stabilized firing coordinates via ballistic and target trajectory calculations based on target data, received by either its independent Electro-Optical Director or an external Firing Control System, and Own Ship Data. The Electro-Optical Director can rotate independently of the Line Of Fire for a panoramic surveillance through a highly accurate sensors suite (with an automatic tracking functionality) constituted of a daylight camera, an IR camera and a LASER Range Finder. A muzzle velocity RADAR can be integrated to optimize the ballistic calculation. This configuration could be also fully controlled by the Combat Management System, with target acquisition, target engagement and firing that are performed by the CMS itself.

## KEY FEATURES

- Effective against any surface threats, helicopters, drones as well as anti-ship missiles;
- compatible with all 40L70 ammunitions, including those with programmable fuze;
- large payload delivered to the target over the time;
- outstanding accuracy and precision;
- high reliability and ease of maintenance;
- automatic Dual Feeding System;
- stealth design;
- no deck penetration;
- ITAR-free.



Independent Line Of Sight



Remotely Controlled

## TECHNICAL SPECIFICATIONS

<b>Caliber</b>	40 mm
<b>Rate of fire</b>	single shot, 100 RPM, 300 RPM
<b>Ready to fire rounds</b>	Up to 80
<b>Maximum effective range</b>	4500 m
<b>Training range <sup>(1)</sup></b>	Nx360°
<b>Training speed and acceleration</b>	120°/s, 200°/s <sup>2</sup>
<b>Elevation range <sup>(1)</sup></b>	- 20° ÷ 85°
<b>Elev. speed and acceleration</b>	75°/s, 200°/s <sup>2</sup>
<b>Mass without ammunition</b>	2100 Kg
<b>Day Camera <sup>(2)</sup></b>	20 / 9 / 4.5 Km D / R / I
<b>IR Camera <sup>(2)</sup></b>	15 / 6.8 / 3.5 Km D / R / I
<b>LRF <sup>(2)</sup></b>	6.5 Km

(1): Mechanical limit stops can be installed, obstacle contouring data and no-firing zones settable via SW

(2): Typical performances achieved with respect to a NATO standard target



Local Control Panel

**For more information:**  
[infomarketing@leonardo.com](mailto:infomarketing@leonardo.com)

**Electronics Division**  
 Via Valdilocchi 15  
 19136 La Spezia - Italy  
 T +39 0187 5811  
 F +39 0586 854060



[leonardo.com](http://leonardo.com)

This publication is issued to provide outline information only and is supplied without liability for errors or omissions. No part of it may be reproduced or used unless authorised in writing. We reserve the right to modify or revise all or part of this document without notice.

2022 © Leonardo S.p.A.

MM08728 07-22

