

ОБЪЕДИНЕННЫЙ
ИНСТИТУТ
ЯДЕРНЫХ
ИССЛЕДОВАНИЙ

Дубна

CERN LIBRARIES, GENEVA



SCAN-9911028

E13-99-185

Yu.G.Sobolev, V.F.Kushniruk, E.Bialkowski¹,
S.V.Khlebnikov, Yu.E.Penionzhkevich, W.Trzaska²

STUDY OF THE CHARGE MULTIPLICATION
PHENOMENON IN SILICON EPITAXIAL DETECTOR

Submitted to «Nuclear Instruments and Methods in Physical Research,
Section A»

¹Henrik Newodniczanski Institute of Nuclear Physics, PL 31-342
Krakow, Poland

²Department of Physics, University of Jyväskylä, P.O. Box, 35,
FIN-40351 Jyväskylä, Finland

1. Introduction

When used as fission fragment detectors or ΔE -detectors in detecting nuclei of intermediate energies, epitaxial silicon detectors allow measuring spectrometric characteristics with a fair degree of accuracy [1,2]. To do this while detecting fission fragments they are to be placed in the spectrometric mode of operation, which is achieved by applying low bias voltage including zero bias. High bias voltage disrupts that mode of operation due to charge multiplication arising [3, 4]. In our work [5] the charge multiplication in epitaxial detectors was investigated from data on the distortion of the one-dimensional energy spectra of fission fragments of ^{252}Cf . The trouble with such a technique is that the charge multiplication for heavy fragments is difficult to study because the multiplication-distorted signals associated with heavy fragments fall in the region of the signals relating to light fragments. To clear up the trouble, a technique was employed that used correlated pairs of fission fragments and two detectors, one of which being a reference detector and the other under investigation. This paper presents the results of investigation of the charge multiplication in the epitaxial detector by the above correlated pair measurement method.

2. Experimental results and discussion

As the source of fission fragments, ^{252}Cf was used, which had been deposited on an alundum base $\approx 60 \mu\text{g}/\text{cm}^2$ thick and then covered with nickel carbonyl on both sides. The source intensity by fission fragments was about $\approx 10^4$ fissions/s. The fission fragment source was placed between the detector to be investigated and the reference detector, so that the detector under investigation was irradiated by the fragments that had passed through the base.

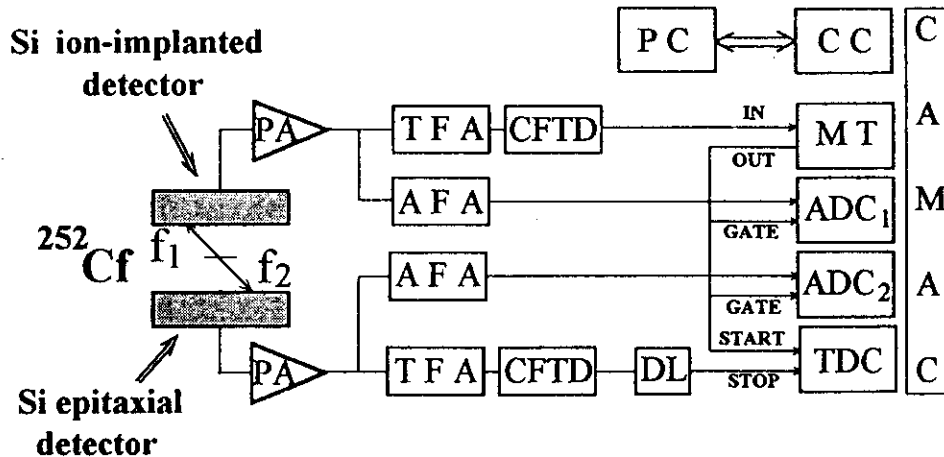


Fig.1. Block diagram of the electronic equipment.

The detector under investigation was made on the basis of a $(n - \text{Si}) - (n^{++} - \text{Si})$ epitaxial structure, the epitaxial layer being about 21 mkm thick and

of resistivity equal to about 30 Ohm · cm [1]. As the reference detector, an $n - Si$ ion-implanted detector was used. Shown in Fig. 1 is a block diagram of the electronic equipment used. The data were collected event by event, both the amplitudes and the time distribution of the pulses induced by the fragments being registered. The start signal to register an event was generated using the signal from the reference detector. The start signal was applied to the master trigger. Unless the data processing system was processing the preceding event, the master trigger generated gate pulses. The gate pulses let the energy signals be applied to the analog-to-digital converters (ADC). In addition to the gate pulses, the master trigger generated a start signal for the time-to-digital converter (TDC). While performing the off-line analytical treatment, the energy threshold, E , was set $E \geq 10 \text{ MeV}$ the time correlation window being 50 ns.

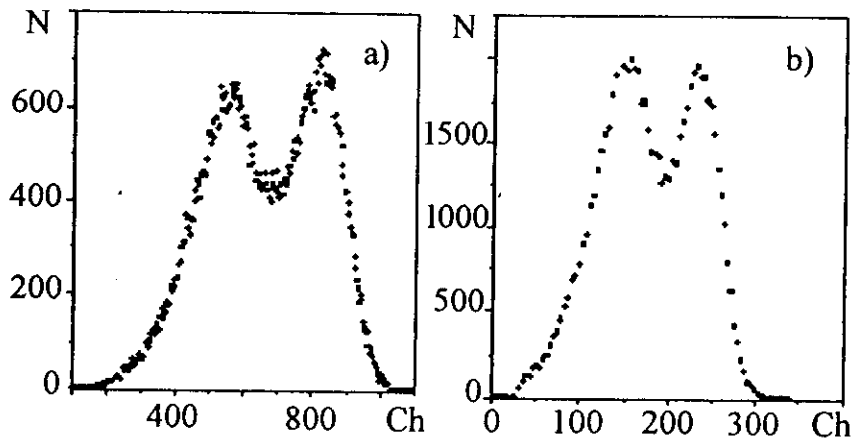


Fig. 2. The energy spectra of the fission fragments of ^{252}Cf .
a) - ion-implanted detector, b) - epitaxial detector

Fig. 2 gives the one-dimensional energy spectra of the fission fragments that were obtained with an ion-implanted detector (Fig. 2a) and an epitaxial detector (Fig. 2b) at bias voltages equal respectively to 100 V and 16 V. Those bias voltages correspond to the multiplication-free mode of operation of both detectors. It is seen from Fig. 2 that the energy distributions of the fragments differ essentially from the standard distributions for ^{252}Cf . For the epitaxial detector, the number of counts at the maximum due to the heavy fission fragments, N_H , is about the same as that at the maximum due to the light fragments, N_L , whereas for the ion-implanted detector the ratio $N_L/N_H \simeq 1.1$. Thus, that the source was essentially thick resulted in the fact that some signals associated with the light fragments were equal in value to the signals associated with the heavy fragments. This makes the investigation of charge multiplication more complicated because the range of a light fragment is longer than that of a heavy fragment, which affects the way the charge multiplication will proceed. But even under those conditions, the experiment performed enabled some qualitative and quantitative regularities

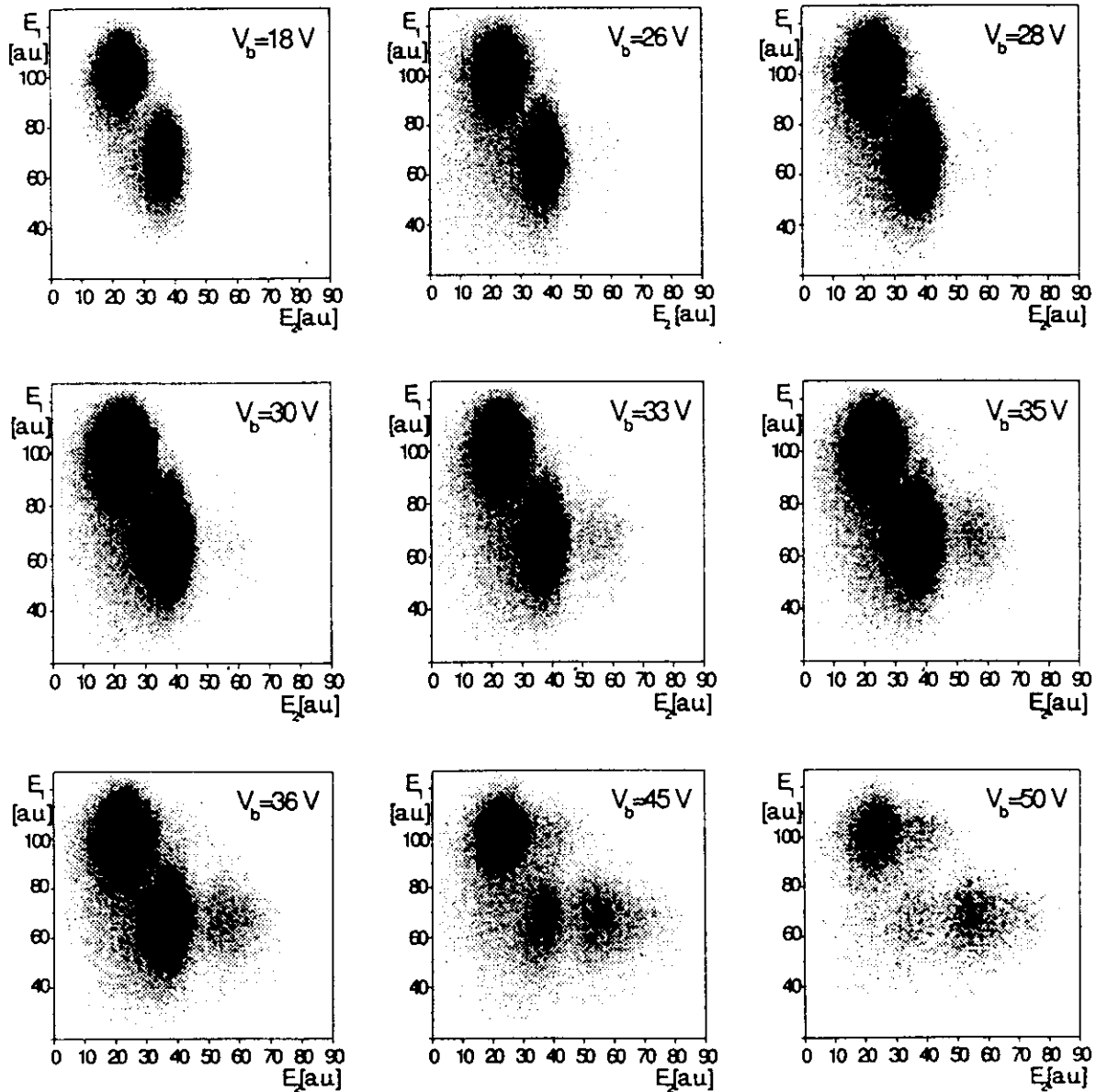


Fig. 3. Two-dimensional amplitude distributions of the fission fragment of ^{252}Cf at various bias voltages V_b

of the charge multiplication in epitaxial detectors to be reliably established.

Presented in Fig. 3 are the two-dimensional amplitude distributions of the correlated fission fragments at various bias voltages V_b across the epitaxial detector and at a constant bias voltage across the ion-implanted detector ($V_b = 100 \text{ V}$). The X-axis corresponds to the amplitudes of the signals of the epitaxial detector, and Y-axis corresponds to the amplitudes of the signals of the ion-implanted detector. It is seen from Fig. 3 that from the epitaxial detector bias voltages $V_b \simeq 26 \text{ V}$ and $V_b \simeq 35 \text{ V}$ and on, anomalous amplitudes corresponding to the groups of light and heavy fragments appear in the two-dimensional distribution.

Presented in Fig.4 are the amplitude distributions of the pulses due to the light

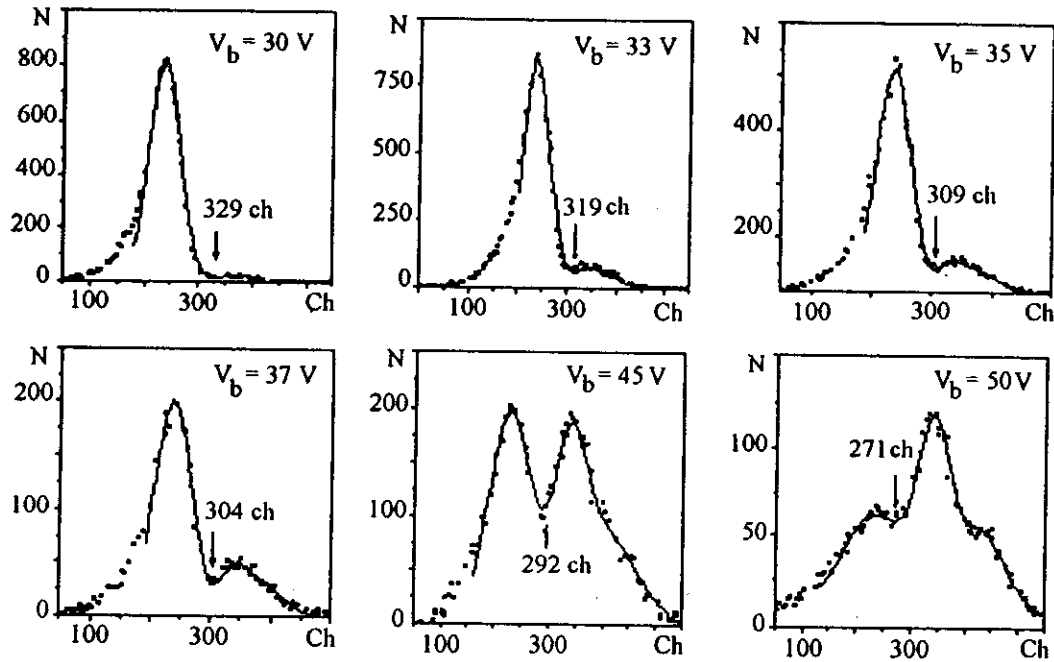


Fig.4. Amplitude distributions of the pulses due to the light fission fragments ^{252}Cf at various bias voltages V_b .

fission fragments at various bias voltages, which shows the dynamics of the charge multiplication for the light fragments. Given next to the arrows are the numbers of the channels that correspond to the minima lying between the peaks of the normal and anomalous signals. It is seen from Fig. 4 that as the bias voltage increases, the minimum concerned shifts to the lesser amplitudes of signals. This testifies that the signals corresponding to the most high-energy fission fragments are the first to be affected by the multiplication. The further increase in the bias voltage brings about charge multiplication for all the light fragments of lesser energy. Moreover, high bias voltage not only results in the peak of the normal signals being distorted substantially by the multiplication but also in the peak being shifted to the lesser amplitudes of signals, which lends support to the above conclusion concerning the way the charge multiplication proceeds.

It is also seen from Fig. 4 that high bias voltage causes a second peak to appear in the distribution of multiplication-distorted signals in the region of high amplitudes. This points to the fact that there is another mode of charge multiplication which we observed both in surface-barrier detectors irradiated with monoenergetic ions [6] and in epitaxial detectors irradiated with fission fragments of ^{252}Cf [5]. Presented in Fig. 5 are the ratios of the number of the multiplication-distorted signals N_{mL} for the light fragments (Fig.5a), N_{mH} for the heavy fragments (Fig.5b) to the total number N of the fission fragments detected by the reference detector as a function of the value $\sqrt{V_b}$, which is proportional to the electric field strength in the detector. The experimental dependences can be closely approximated by

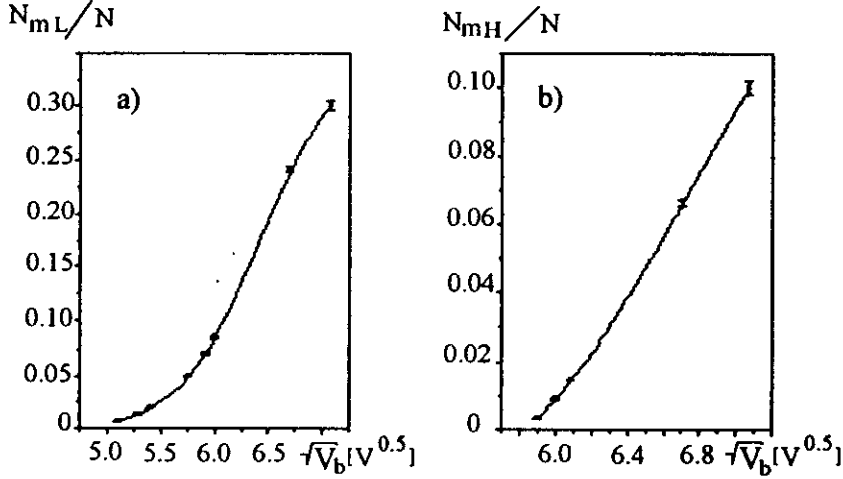


Fig.5. Ratios N_m/N for the light (a) and heavy (b) fission fragments of ^{252}Cf as a function of $\sqrt{V_b}$.

using the probability integral or the error function. This once again confirms the above conclusion that charge multiplication arises as soon as a certain threshold voltage is exceeded, the multiplication-distorted signals corresponding to the most high-energy light fission fragments being first to appear, then, as the voltage increases, the signals corresponding to fragments of lesser energy including heavy fragments get distorted by the charge multiplication.

The dependences shown in Fig. 5 allow the threshold values for the light and heavy fragments, respectively V_{th}^L and V_{th}^H , to be evaluated by extrapolating their initial portion to $N_m/N=0$. The ratio $\sqrt{V_{th}^H}/\sqrt{V_{th}^L}$, was found from the dependences shown in Fig. 5 to be 1.16 ± 0.05 . The qualitative picture of the charge multiplication in the epitaxial detector given by the two-dimensional amplitude spectra of the fission fragments (see Fig. 3) and the one-dimensional amplitude distributions of the light fragments (see Fig. 4) is in agreement with the predictions of the charge multiplication model based on the assumption that the movable current carrier are accumulated near the detector entrance electrode [7]. Moreover, the ratio $\sqrt{V_{th}^H}/\sqrt{V_{th}^L} = 1.16 \pm 0.05$ found from the experimental data is in good quantitative agreement with the value $F_{th}^H/F_{th}^L = 1.19$ calculated in terms of that model. The values F_{th}^H and F_{th}^L are the threshold electric field intensities for heavy and light fission fragments, respectively.

References

1. V.F. Kushniruk et al., *Instrum. and Experim. Techniques* **40** (1) (1997) 54.
2. V.F. Kushniruk et al., *Instrum. and Experim. Techniques* **40** (6) (1997) 769.
3. H.C. Britt, H.E Wegner, *Rev. Sci. Instr.* **36** (1963) 627.
4. F.J. Walter, *IEEE Trans. Nucl. Sci.* **NS-11** (1964) (3) 232.
5. V.F. Kushniruk et al., *Instrum. and Experim. Techniques* **40** (3) (1997) 34.
6. Yu. Tsyganov, V. Kushniruk, A. Polyakov, *IEEE Trans. Nucl. Sci.* **NS-43** (1996) (5) 2496.
7. V.F. Kushniruk, I.V. Kuznetsov, Yu.G. Sobolev, *Nucl. Instr. and Meth.* **401A** (1997) 89.

Received by Publishing Department
on June 28, 1999.

**The Publishing Department
of the Joint Institute for Nuclear Research
offers you to acquire the following books:**

Index	Title
E1,2-97-79	Proceedings of the XIII International Seminar on High Energy Physics Problems. Relativistic Nuclear Physics and Quantum Chromodynamics. Dubna, 1996 (2 volumes, 364 p. and 370 p., in English)
D5,11-97-112	Proceedings of the 9th International Conference «Computational Modelling and Computing in Physics». Dubna, 1996 (378 p., in English)
E2-97-213	Proceedings of the V International Seminar on Interaction of Neutron with Nuclei «Neutron Spectroscopy, Nuclear Structure, Related Topics». Dubna, 1997 (446 p., in English)
E2,4-97-263	Proceedings of the Third International Conference «Renormalization Group'96». Dubna, 1996 (436 p., in English)
E10-97-272	Proceedings of the Data Acquisition Systems of Neutron Experimental Facilities (DANEF'97). Dubna, 1997 (325 p., in English)
D19-97-284	Proceedings of the International Symposium «Problems of Biochemistry. Radiation and Space Biology». Dubna, 1997 (2 volumes 284 p. and 405 p., in Russian and English)
E2-97-413	Proceedings of the VII Workshop on High Energy Spin Physics (SPIN'97). Dubna, 1997 (398 p., in English)
E15-98-57	Proceedings of the III International Workshop «Hyperfine Structure and Nuclear Moments of Exotic Nuclei by Laser Spectroscopy». Poznan, 1997 (200 p., in English)
D13-98-66	Proceedings of the XVII International Symposium on Nuclear Electronics. Varna, 1997 (242 p., in English and Russian)
E1,2-98-154	Proceedings of the XIII International Seminar on High Energy Physics Problems «Relativistic Nuclear Physics and Quantum Chromodynamics». Dubna, 1996 (2 volumes 300 p. and 282 p., in English)
E3,14-98-168	Proceedings of the German–Russian User Meeting «Condensed Matter Physics with Neutrons at IBR-2». Dubna, 1998 (126 p., in English)
E3-98-202	Proceedings of the VI International Seminar on Interaction of Neutrons with Nuclei Neutron Spectroscopy, Nuclear Structure, Related Topics. Dubna, 1998 (352 p., in English)
D1,2-98-215	Proceedings of the International Workshop «Relativistic Nuclear Physics: from MeV to TeV». Dubna, 1998 (384 p., in English and Russian)
E2-98-254	Proceedings of the International Workshop Hadronic Atoms and Positronium in the Standard Model. Dubna, 1998 (260 p., in English)

Index	Title
D9,11-98-273	Proceedings of the 4th International Workshop «Beam Dynamics and Optimization». Dubna, 1997 (162 p., in English and Russian)
E17,19-98-305	Proceedings of the International Workshop on Deuteration of Biological Molecules for Structural and Dynamic Studies. Applications to Neutron Scattering and NMR. Dubna, 1998 (100 p., in English)
E1,2-98-307	Proceedings of the International School–Seminar «Actual Problems of Particle Physics». Gomel, 1997, Belarus (2 volumes 304 p. and 220 p., in English)
E2-98-372	Proceedings of the III International Workshop «Classical and Quantum Integrable Systems». Erevan, 1998 (200 p., in English)
E9-99-26	Proceedings of the International Conference on High Energy Accelerators. Dubna, 1998 (432 p., in English)
E2-99-35	Proceedings of the XI International Conference on Problems of Quantum Field Theory. Dubna, 1998 (508 p., in English)
E5-99-38	Proceedings of the International Workshop «Self-Similar Systems». Dubna, 1998 (404 p., in English)
E9-99-92	Proceedings of the XVII International Conference on High Energy Accelerators HEACC'98. Dubna, 1998 (435 p., in English)

Please apply to the Publishing Department of the Joint Institute for Nuclear Research for extra information. Our address is:

Publishing Department
 Joint Institute for Nuclear Research
 Dubna, Moscow Region
 141980 Russia
 E-mail: publish@pds.jinr.dubna.su.

Соболев Ю.Г. и др.

E13-99-185

Изучение явления мультипликации заряда
в кремниевом эпитаксиальном детекторе

Для исследования мультипликации заряда в кремниевом эпитаксиальном детекторе использована методика измерения коррелированных пар осколков деления. Двумерные амплитудные распределения позволяют четко проследить динамику процесса мультипликации как для легкого, так и для тяжелого осколков деления. Экспериментальные результаты находятся в хорошем количественном согласии с моделью мультипликации, основанной на накоплении подвижных носителей тока вблизи входного электрода детектора.

Работа выполнена в Лаборатории ядерных реакций им. Г.Н.Флерова ОИЯИ.

Препринт Объединенного института ядерных исследований. Дубна, 1999

Sobolev Yu.G. et al.

E13-99-185

Study of the Charge Multiplication Phenomenon
in Silicon Epitaxial Detector

The technique of the measurement of correlated fission fragment pairs was employed for investigation of the charge multiplication in silicon epitaxial detector. The two-dimensional amplitude distributions show clearly the dynamics of the charge multiplication process for both of light and heavy fragments. The experimental results are in a good quantitative agreement with the multiplication model based on the accumulation of movable current carries near the detector entrance electrode.

The investigation has been performed at the Flerov Laboratory of Nuclear Reactions, JINR.

Preprint of the Joint Institute for Nuclear Research. Dubna, 1999

Макет Т.Е.Попеко

Подписано в печать 12.07.99
Формат 60 × 90/16. Офсетная печать. Уч.-изд. листов 0,99
Тираж 340. Заказ 51487. Цена 1 р. 20 к.

Издательский отдел Объединенного института ядерных исследований
Дубна Московской области