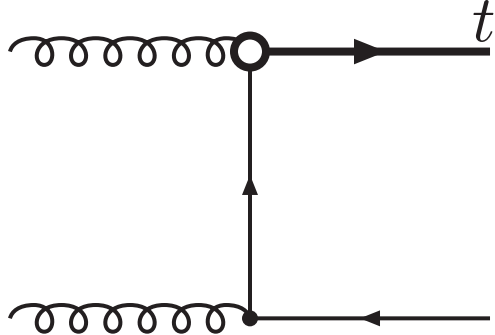
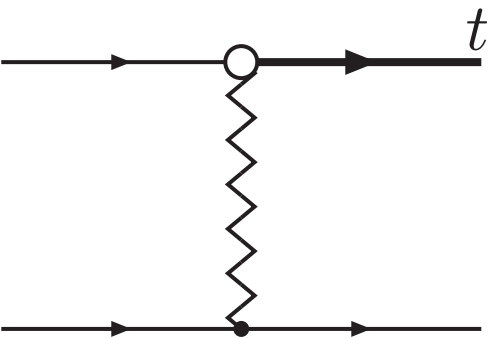


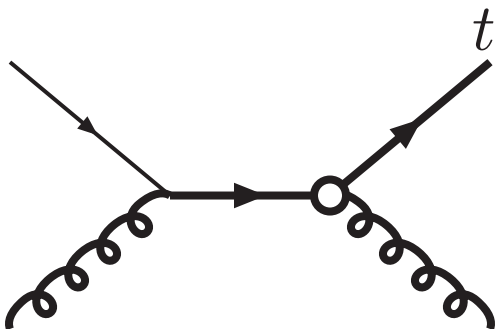
$$q\bar{q} \rightarrow t\bar{t}$$



$$gg \rightarrow tc$$



$$c\bar{q} \rightarrow t\bar{q}$$



$$cg \rightarrow tg$$