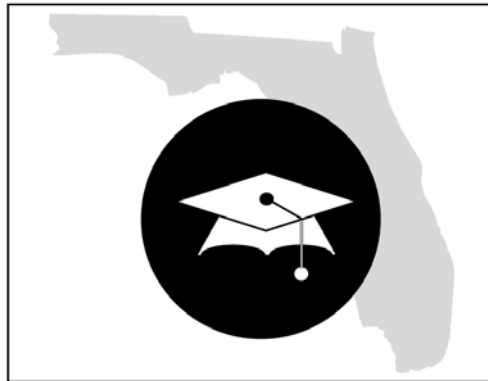


Common Prerequisites

Catalog Year
2019 - 2020



Articulation Coordination Committee
2019 - 2020

Common Prerequisites

Catalog Year

201- -20&\$

Common Prerequisites Counseling Manual

Policies, Procedures, and Important Information

Table of Contents

I. Policies, Procedures, and Important Information	Page #
A. Purpose of the Common Prerequisite Manual	I-A
B. Catalog Year in Effect	I-B
C. Definitions of Common Prerequisites, Substitutions, and Suggested Courses	I-C
D. Coding in University Counseling Manuals/Catalogs	I-D
E. General Education Courses	I-E
F. Course Numbering	I-F
G. Institution Acronyms	I-G
H. Making Revisions to the Common Prerequisites	I-H
I. How to Read and Interpret the Common Program Prerequisites for Degree Programs	I-I
II. Index of Common Prerequisites by Program	
A. Program Listing by Alphabetic Order	II-A
B. Program Listing by CIP Code	II-B
C. Program Listing by Faculty Discipline Committee	II-C
D. Engineering Programs Common Prerequisites	II-D
E. Teacher Education Information	II-E

I.A. PURPOSE OF THE COMMON PREREQUISITES MANUAL

In 1996, institutions of higher education in the state of Florida, under legislative mandate and through the direction of the Articulation Coordinating Committee, established a list of common prerequisite courses for every degree program. The purpose of such a list is to provide students, especially those who plan to transfer between institutions, with information regarding the courses that they will need to take to be admitted into upper division programs. The Common Prerequisites Counseling Manual is a centralized compilation of program prerequisites that can be referenced by counselors and students in their academic planning. The Common Prerequisites Counseling Manual is compiled in a format as established by the Oversight Subcommittee of the Articulation Coordinating Committee and is considered to be the “official” publication of the program prerequisites. It is compiled annually and placed in a format that is accessible by all institutions. The Common Prerequisites Manual is not intended as a comprehensive advising manual. For effective academic planning, students should be referred to university catalogs and counseling manuals.

Common Prerequisites and substitutions are for all public Florida institutions and apply to all students (native and transfer). Common Prerequisites are required components of the degree programs within the State University System. Common Prerequisites must be the same at all institutions in order to facilitate efficient transfer among all 38 public Florida postsecondary institutions, except for specific program tracks and program exceptions approved by the Oversight Committee (OSC) and the Articulation Coordinating Committee. The Division of Colleges and Universities has approved exceptions to the standardized prerequisites for programs with different focuses or different structures of a similar major. For example, the Environmental Studies concentration within Liberal Studies at Florida Gulf Coast University requires different prerequisite courses than the Environmental Science program at Florida International University. The various programs, concentrations, and tracks with corresponding prerequisites are noted in the Common Prerequisites Manual.

Each program of study listed in the Common Prerequisite Manual provides information regarding the required and/or suggested common prerequisites for that program. Some programs do not require common prerequisite courses. Others may have additional requirements for acceptance into that program such as Grade Point Average or grades on specified courses. Students are advised to consult university catalogs, counseling manuals, and advisors at the receiving institution to ensure accurate academic planning.

Students should know that occasionally a common prerequisite requirement has course prerequisites. With qualifying placement test scores, a student may be able to move directly into that common prerequisite without having to take the course prerequisite. It should be noted that some students may need to take one or all of the course prerequisites before moving into the common prerequisite listed. In this instance, credit hours will be added to the total A.A. Degree program.

Only course substitutions approved by the OSC can be utilized. Universities and community colleges cannot grant unapproved course substitutions for either native students or transfers from Florida public institutions. Further, all institutions must accept the common prerequisites and/or substitutions in transfer. All recommendations for the addition or deletion of a course designated as a common prerequisite and the addition or deletion of course substitutions must come through the Oversight Committee with the Articulation Coordinating Committee giving final approval.

Discipline committees made up of faculty from a variety of public institutions across the state meet annually to develop and review the common prerequisites for their academic programs. Academic departments in all Florida public higher education institutions are expected to abide by the program prerequisites as determined by those discipline committees and approved by the Articulation Coordinating Committee for placement into the Common Prerequisites Counseling Manual.

I.B. CATALOG YEAR IN EFFECT

The initial effective date of the Common Prerequisites Counseling Manual was Fall Semester 1996. Students enrolled prior to Fall 1996 shall come under the catalog year in effect at the time of their matriculation or have the option of coming in under the new catalog. Each subsequent Common Prerequisites Counseling Manual will be effective with the following Fall Term. Students who matriculate in 1999 will come in under the 1999-2000 Common Prerequisites Manual; students who matriculate in 2000 will be under the 2000-2001 Manual, etc.

Transfer students: Students who transfer from one public institution to another in the State University and Community College Systems within two (2) years of their matriculation and seek admittance to the upper division will be assessed under the common prerequisite requirements of their entering catalog. For example, a student who enters a Florida community college in Fall 1999 and seeks admittance to an upper division major for Fall 2001 must meet the major common prerequisites listed in the 1999-2000 Common Prerequisites Manual. **However, if the student does not seek admittance within two years of his or her matriculation, he or she will come under the manual dated two years prior to transfer.** For example, if the student enters in Fall 1999, but does not transfer until Fall 2005, he or she must meet the requirements of the 2003-2004 Manual.

I.C. DEFINITIONS OF COMMON PREREQUISITES, SUBSTITUTIONS, AND SUGGESTED COURSES

The State of Florida has identified Common Prerequisites for all university programs. Contained within this Counseling Manual are the Common Prerequisites or their substitutions, which must be completed by all students going into that field of study and which must be accepted by all state universities and applied toward the degree. Common Prerequisites must be approved by the Articulating Coordinating Committee. A course or its substitute cannot be identified by a university or a community college as a prerequisite unless it is approved by the Articulation Coordinating Committee. In cases where numerous course substitutes cannot be listed, a notation has been made to alert the reader. Counselors should check with the institution for course substitutes. In all cases, the receiving institution must accept the common prerequisite or substitution in transfer.

When a note indicates an “equivalent” course will substitute for a common prerequisite, the eligible course will be determined by the Florida public community college or university where the student is currently earning the Associate in Arts or Baccalaureate degree.

Institutions may approve as a substitution for a common prerequisite program (CCP) course a comparable course which contains an advanced treatment of the material required in the CCP course. Determination that the course is more advanced will be made by the department offering the course at the receiving institution.

Upper division courses may substitute for common prerequisites and will be accepted in transfer. The eligible upper division course substitution will be determined by the institution where the student is enrolled for his/her upper division coursework and should contain all the components of the lower level common prerequisite plus increased depth and breadth of the subject matter.

Florida Statute 1007.25 (9) states that,

“a student who received an associate in arts degree for successfully completing 60 semester credit hours may continue to earn additional credits at a community college. The university must provide credit toward the student’s baccalaureate degree for an additional community college course if, according to the statewide course numbering, the community college course is a course listed in the university catalog as required for the degree or as prerequisite to a course required for the degree.”

Note: Lower level institution-specific courses required for a degree, which can be accommodated in the junior and senior years without exceeding the specified number of credit hours for the degree, may be specified in university counseling manuals. These courses, which may be taken in the freshman and sophomore years, are not to be considered common prerequisites, cannot be required for admission, need not be approved by the Articulation Coordinating Committee, and may vary from university to university.

I.D. CODING IN UNIVERSITY COUNSELING MANUALS/CATALOGS

THERE ARE TWO CODES WHICH UNIVERSITIES MAY ASSIGN TO THE COMMON PREREQUISITES IN THEIR UNIVERSITY COUNSELING MANUALS.

For purposes of conveying consistent information through the Common Prerequisites Manual and the university counseling manuals, the following codes have been developed. The codes define the types of courses that students would need to take in the lower division for an associate in arts or baccalaureate degree:

P: Prerequisites that are required for admission in the university upper division program and must be completed by the student at either the community college or state university prior to being admitted to the program. Students may be admitted into the university without completing the prerequisites, but may not be admitted into the program. In some cases, students may be denied admission to the institution if they have not met the prerequisites for the program.

***P:** Prerequisites that are lower-level courses required for preparation for the university major and must be taken at a community college or university lower division program prior to a student receiving the baccalaureate degree from a university. It is preferred that these prerequisites be completed in the freshman and sophomore years. However, they are not required for admission into the specified program and students may not be denied admission to a program due to their deficiency

I.E. GENERAL EDUCATION COURSES

Courses which satisfy the General Education Requirements vary from institution to institution, although all adhere to 36 credit hours.

At some community colleges, a course satisfying General Education Requirements may fulfill more than one category area. For instance, ENL X010 may meet the General Education Requirement for Communications OR Humanities. In such a case, the student may not use the course to fulfill the two areas simultaneously. The student must choose either Communications or Humanities. However, the same course may be used to fulfill a common prerequisite and one of those General Education areas.

I.F. COURSE NUMBERING

Specific to this document, the letter “X” has been used to indicate the following situations:

- Any **level** course acceptable. Example: MAC X013
This means MAC 1013, or 2013, or 3013, or 4013.
- **Any** course acceptable. Example: CHM XXXX
This means any course with the prefix of CHM such as CHM 1045 or CHM 1046, etc. May be accompanied by an explanation.
- **Numerous** course(s) with various prefixes and numbers. Example: XXX XXXX
These courses are always accompanied with an explanation. For instance, this designation may be for foreign language, where prefixes/numbers may be Spanish, Latin, French, German, etc.

Important: The eligible course(s) will be determined by the institution in which the student is enrolled for his/her lower-level coursework and will be accepted in transfer at any other institution as meeting the common prerequisite requirement. If the receiving institution has a preferred course, and requires the student to take its course, that course is not to be regarded as a common prerequisite, cannot be required for admission, and must be accommodated in the junior and senior years without exceeding the specified number of credit hours for the degree.

In some instances, courses and labs appear to be listed incorrectly, when, in fact, the combination listed is correct. Such an example is in CIP 15.1001 Track B where PHY X053 is coupled with the lab PHY X048L.

I.G. INSTITUTION ACRONYMS

Acronym	Full Name
BC	Broward College
CC	Chipola College
CCF	College of Central Florida
DSC	Daytona State College
EFSC	Eastern Florida State College
FAMU	Florida Agricultural and Mechanical University
FAU	Florida Atlantic University
FGC	Florida Gateway College
FGCU	Florida Gulf Coast University
FIU	Florida International University
FSCJ	Florida State College at Jacksonville
FSU	Florida State University
FSWSC	Florida Southwestern State College
GCSC	Gulf Coast State College
IRSC	Indian River State College
LSSC	Lake-Sumter State College
MDC	Miami Dade College
NCF	New College of Florida
NWFSC	Northwest Florida State College
PBSC	Palm Beach State College
PESC	Pensacola State College
PHSC	Pasco-Hernando State College
POLY	Florida Polytechnic University
PSC	Polk State College
SCFMS	State College of Florida, Manatee-Sarasota
SFC	Santa Fe College
SFSC	South Florida State College
SJRSC	St. Johns River State College
SPC	St. Petersburg College
SSCF	Seminole State College of Florida
TCC	Tallahassee Community College
UCF	University of Central Florida
UF	University of Florida
UNF	University of North Florida
USF	University of South Florida
USFSM	University of South Florida Sarasota-Manatee
USFSP	University of South Florida St. Petersburg
UWF	University of West Florida
VC	Valencia College

I.H. MAKING REVISIONS TO THE COMMON PREREQUISITES

Proposed changes to any common prerequisites established by the Articulation Coordinating Committee shall be submitted in writing to the Chair of the Articulation Coordinating Committee. Proposed changes would include the addition or deletion of a course designated as a common prerequisite and the addition or deletion of course substitutions. The proposed amendments should be submitted by the first week in February of each year prior to the subsequent Fall semester implementation. See the timeline provided below for a detailed explanation of the revision process. All recommendations shall come through the Oversight Committee with the Articulation Coordinating Committee giving final approval. Final approval of the amendments shall be made by the Articulation Coordinating Committee at its September meeting. The amendments shall be incorporated into the Common Prerequisite Counseling Manual for distribution in December for inclusion in university and community college catalogs to be distributed in May and June.

REVISIONS TIMELINE

November-January 31	Colleges submit requests for revisions to DCU/CC staff
Early February - First Week	DCU/CC staff send requests for revisions to Faculty Discipline Co-Chairs
Early March - First Week	Co-Chairs send requests out to respective Committees (Committees may meet once each year face-to-face)
Mid-April	Co-Chairs submit Faculty Discipline Committees' recommendations for revisions to Division of Colleges and Universities and Community College staff
June	Staff compiles recommendations from Faculty Discipline Committees and sends to Co-Chairs for verification
Early August	Oversight Committee Meeting held to approve recommendations for revisions
September	Articulation Coordinating Committee approves changes
October-November	Common Prerequisite Manual revisions made and updated Manual finalized
December	Manual distributed to community colleges and universities
<i>[November-January]</i>	<i>Revisions submitted again for the next edition of the Manual</i>
December-May	Universities and community colleges prepare institutional catalogs
May	SUS and CC catalogs published with revised common prerequisites
Fall	New changes become effective

Common Prerequisite 2019 - 2020 Summary

June 2019

CIP	Title	Institution	Change
03.0103	Environmental Studies	Project	Technical Regrouping
03.0104 Track 1	Environmental Science	Project	Technical Regrouping
03.0199	Environmental Science	Project	Course Clarification
03.0205	Marine Science	FGCU	Course options
03.0501	Forest Resources and Conservation	Project	Course options footnoted
04.0201	Architecture	UCF	Course options
04.0601	Landscape Architecture	Project	Course Clarification
11.0101 Track 2	Computer & Info Science Computer Science	FSU	Limited access suspension removed
11.0701	Computer Science	NA/Project	Added UNF/Course Clarification
11.0899	Computer Science and Media Applications	Project	Course Clarification
11.1003 Track 1	Cybersecurity	NA/Project	Change in track listing/Course Clarification
11.1003 Track 2	Cybersecurity	NA/Project	Change in track listing/ Course Clarification
11.1003 Track 3	Cybersecurity	USF	New track
13.1205 Track 3	Secondary Teacher Education	Project	Technical Regrouping/Course Clarification
13.1206 Track 2	Teacher Ed, Multiple Levels - Art	Project	Curriculum clarification
13.1302	Art Teacher Ed	Project	Course clarifications; UF suspended
13.1314 Track 1	Physical Education	NA	Removed UCF

CIP	Title	Institution	Change
13.1314 Track 2	Exercise Science	NA	Added UCF
13.1316 Track 5	Science Teacher Education	Project	Course options footnoted
14.0101	Interdisciplinary Engineering	FIU	New Program
14.0501	Biomedical/Bioengineering	NA/Project	Limited Access added for USF; course clarification
14.0701	Chemical Engineering	Project	Course Clarification
14.0901 Track 3	Computer Engineering - Digital Logic Design, Embedded System Design, and Machine Intelligence	Project	Course Clarification
14.0903	Computer Software Engineering	Project	Technical Regrouping
14.1202	Engineering Physics	FL POLY	New Program
14.1401	Environmental Engineering	FL POLY	POLY added to the page
14.1901	Mechanical Engineering	NA	Added UCF
14.2401	Coastal & Ocean Engineering	Project	Curriculum clarification
15.1001 Track 1	Construction/Building Technology	FIU	Course options
15.1001 Track 2	Construction/Building Technology	Project	Technical Regrouping
15.9999 Track 2	Engineering Technology - Internet of Things	Project	Technical regrouping
26.0101 Tracks 1 and 4	Biology, BA	FIU	Technical Course correction
26.1104	Computational Biology	Project	Curriculum clarification
26.1302	Marine/Aquatic Biology	Project	Removed course option not offered
27.0101 Tracks 1 to 4	Mathematics	Project	Course Clarification
27.0301	Engineering Mathematics	FL POLY	Curriculum to new CIP

CIP	Title	Institution	Change
30.0101 Tracks 1 to 3, 6 to - 15.	Biological & Physical Science Interdisciplinary Studies	Project	Technical Regrouping
30.0101 Track 16	Biological & Physical Sciences Interdisciplinary Studies	FAU	Added to page
30.2001	Global Studies	FIU	Technical addition of institution
31.0505 Track 1	Exercise Science	Project	Removed course option not offered
40.0401	Meteorology	Project	Technical Regrouping
40.0501 Tracks 1 to 3	Chemistry	Project	Technical Regrouping
40.0509	Environmental Chemistry	USF	Technical conversion to new CIP
40.0599 Track 1 to 2	Chemical Science	Project	Technical Regrouping
40.0607	Oceanography	Project	Technical Regrouping
40.0899 Track 1 to 2	Physical Science	Project	Technical Regrouping
42.2706	Psychobiology/Behavioral Neuroscience	Project	Technical Regrouping
43.0106	Forensic Science	Project	Technical Regrouping
50.0102 Track 1	Digital Arts/ Digital Media	FGCU	Institution requirements added
50.0102 Track 2	Digital Arts/Digital Media	UFL	Curriculum clarification
50.0409	Graphic Design	Project	Curriculum clarification
50.0605.	Photography	Project	Curriculum clarification
50.0701	Art, General	Project	Curriculum clarification

CIP	Title	Institution	Change
50.0702 Tracks 1 to 2	Studio Fine Art	Project	Curriculum clarification
50.0703	Art History & Appreciation	Project	Curriculum clarification
51.0000 Track 1	Health Science	Project	Expanded Course and lab
51.0000 Track 3	Health Science	Project	Technical regrouping
51.0000 Track 7	Health Science – Interdisciplinary Medical Sci	Project	Expanded course and lab
51.0708	Senior Living Management	UCF	New Program
51.0907	Radiologic and Imaging Science	Project	Technical Regrouping
51.0908	Cardiopulmonary Science	Project	Course Clarification
51.1005 Track 1	Medical Tech	NA	Change in track listing
51.1005 Track 2	Clinical Laboratory Science Medical Lab Technician to MLS	UWF	New track
51.2001	Pharmacy (PharmD)	Project	Technical Regrouping
51.2201	Public Health	Project	Technical course clarification
51.2208 Track 1	Community Health	UF	Change in track listing
51.2208 Track 2	Community Health Community Health Promotion	UF	New Track
51.3101 Track 1	Dietetics/Nutritional Services	Project	Technical Regrouping
51.3102	Clinical Nutrition/Nutritionist	Project	Technical Regrouping
52.0203 Track 3	Supply Chain Management	NA	Added FGCU
52.1501	Real Estate	UF	UF Termination

October 2019

CIP	Title	Institution	Change
01.0102	Agricultural Business/Operations	Project	Grouping
01.0103	Agricultural (Food & Resource) Economics	Project	Grouping
03.0103	Environmental Studies	Project	Grouping
03.0104 Track 1	Environmental Science	Project	Grouping; USF SP notice
03.0199	Environmental Science	Project	Grouping
03.0205 Track 1	Marine Science	Project	Grouping
03.0501 Track 1	Forest Resources & Conservation/Wildlife Ecology	Project	Grouping
030501 Track 2	Forest Resources & Conservation	Project	Grouping
04.0201	Architecture	Project	No Course
09.0102	Communication (Mass)	Project	USF Note
11.0101 Track 2	Computer & Info Science	Project	Grouping
11.0101 Track 3	Computer & Info Science	Project	Removed UNF to move to 11.0401
11.0101 Track 4	Computer & Info Science	Project	Delete Track (moved to 11.0104)
11.0101 Track 5	Computer & Info Science	Project	Delete Track
11.0103 Track 1 of 4	Computer Info & Sci	Project	Track changed. Delete.
11.0103 Track 1 of 5	Computer Info & Sci	Project	Track 1/5 added
11.0103 Track 2 of 4	Computer Info & Sci	Project	Track changed. Delete
11.0103 Track 2 of 5	Computer Info & Sci	Project	Track 2/5 added
11.0103 Track 3 of 4	Computer Info & Sci	Project	Track changed. Delete.

CIP	Title	Institution	Change
11.0103 Track 3 of 5	Computer Info & Sci	Project	Track 3/5 added
11.0103 Track 4 of 4	Computer Info & Sci	Project	Track changed. <i>Delete</i>
11.0103 Track 4 of 5	Computer Info & Sci	Project	Track 4/5 added
11.0103 Track 5	Information Technology	Project	Moved track from 11.0101 Track 5
11.0104	Information Science	Project	Moved from 11.0101 Track 4
11.0401 Track 1 of 2	Info Sciences & Studies	Project	Removed course and footnote not applicable; changed track
11.0401 Track 1	Info Sciences & Studies	Project	Delete Track 1 (because now track ¹ / ₂)
11.0401 Track 2 of 2	Computer & Info Science	Project	Moved UNF track 4 to 11.0401
11.1003 Track 3	Cybersecurity	Project	No Course
13.1003	Deaf Education	Project	Previous approved
13.1202	Elementary Ed	Project	USF SM notice
13.1306	Foreign Language Teacher	USF, UCF (project)	Baccalaureate degrees no longer offered in CIP. DELETE CIP and Page in Manual.
13.1317	Social Science Ed	Project	Corrected Prefix
14.0101	Interdisciplinary Engineering	Project	Course verification
14.0501	Biomedical/Bioengineering	Project	Course verification and No course
14.0901 Track 1	Computer Engineering	Project	Course Verification

CIP	Title	Institution	Change
14.0901 Track 3	Digital Logic Design	Project	Course Verification
14.0903	Computer Software Engineering	Project	Manual Error
14.1201	Engineering Physics	Project	Course Grouping
15.1001 Track 1	Computer/Building Technology	Project	No course
15.1001 Track 2	Construction Technology	Project	Manual error
15.9999 Track 2	Engineering Technology	Project	Grouping
16.1030	Cultural	Project	Delete Page
16.0904	Portuguese Language and Literature	UF (Project)	Removed UF from page
19.0101	Home Economics, General	Project	Delete Page (no longer teaching)
26.0101 Track 1	Biology	Project	Grouping
27.0101 Track 1	Mathematics	Project	No course
27.0101 Track 2	Math - UWF Teach	Project	No course
27.0101 Track 3	Math - FSU Teach	Project	No course
27.0101 Track 4	Math - FIU Teach	Project	No course
27.0301	Engineering Math	Project	No course
30.0000	Multi-/Interdisciplinary/ Integrated Studies	FIU (Project)	FIU added to page.
30.0101 Track 2	Biological & Physical Sciences	Project	Grouping
30.0101 Track 7 to 9	Biological & Physical Sciences	Project	No course
30.0101 Track 16	Natural & Applied Sciences	FIU (Project)	FIU added to page.
40.0509	Environmental Chemistry	Project	No course
40.0607	Oceanography	Project	Grouping
43.0302	Emergency Management	FIU (Project)	FIU added to page.
50.0102 Track 1	Digital Arts	FIU (Project)	FIU added to the page.

CIP	Title	Institution	Change
50.0102 Track 1	Digital Arts	Project	Grouping
51.0000 Track 3	Health Science	Project	Manual Error
51.0000 Track 5	Health Sciences	UNF (Project)	UNF added to the page.
51.0907	Radiologic and Imaging	Project	Course Verification
51.0913	Athletic Training	UCF, UNF, USF (Project)	Baccalaureate programs eliminated
51.1005 Track 2	Clinical Lab Services	Project	Course Verification
51.2001	Pharm D	Project	Grouping
51.2201	Public Health	Project	Manual Error
51.3101	Dietetics	Project	Grouping
51.3102	Clinical Nutritionist	Project	Manual Error
52.0101 Track 2	Business, General	Project	Grouping
52.0203 Track 3	Supply Chain Management	Project	Course Verification
52.0901 Track 1	Hospitality Admin/Mgt	FGCU (Project)	Moved track
52.0901 Track 2	Hospitality Admin/Mgt	FGCU (Project)	Moved track
52.0906	Resort & Hospitality Mgt	FGCU (Project)	CIP eliminated.

I. I. HOW TO READ AND INTERPRET THE COMMON PROGRAM PREREQUISITES FOR DEGREE PROGRAMS

Program prerequisites are primarily displayed as groups of courses. A group contains one or more courses. If there is more than one course in a group, the group defines relationships among the courses. If all the courses in a group are required, then the group is an AND group. If only one of the courses in a group is required, then the group is an OR group.

Vertical and horizontal lines, indentations, and special symbols identify group types and relationships. AND groups are represented by the ampersand (&) symbol next to each course on the same vertical line. OR groups are represented by the “or” symbol next to each course on the same vertical line. However, the first course within a group shows a horizontal line instead of the “&” or “or” symbol. Indentations represent groups within groups. Groups within groups are referred to as nested groups.

All program prerequisites include at least one group, called the outer group. If the program allows the student to choose among several courses, then additional groups are used. The additional groups are contained (or nested) within the outer group. Any additional groups may include nested groups.

The format also lists credit hours for the courses. Any relevant course notes are displayed at the bottom of the course listing.

To satisfy the prerequisites for the Accounting degree program below, a student must take 7 or 8 total courses as follows:

1. ACGX021 OR both ACGX001 AND ACGX011
2. ACGX071
3. CGSX100
4. ECOX013
5. ECOX023
6. MACX233
7. STAX023 OR QMBX100

In the Accounting program example below, the outer group is an AND group and includes five courses and two nested OR groups. The first nested group includes one course and one nested AND group. The second nested group includes two courses. Four of the courses listed have additional notes.

Program: Accounting

CIP: 52.0301

Offered At: FAMU, FAU, FGCU, FIU, FSU*, UCF, UF*, UNF, USF*, UWF

Track: 1

Program Length: 120 Cr. Hrs.

LOWER LEVEL COURSES

	Cr. Hrs.
ACGX021	3
or- ACGX001	3
&- ACGX011	3
&- ACGX071 ⁽¹⁾	2-3
&- CGSX100 ⁽²⁾	3-4
&- ECOX013	3
&- ECOX023	3
&- MACX233 ⁽³⁾	3-4
&- STAX023 ⁽³⁾	3
or- QMBX100	3

- (1) At FSU, UF and USF, ACG X071 will count toward the degree as elective credits for transfer students. However, it is recommended that native students take another non-accounting elective.
- (2) Acceptable Substitute: Demonstrated Competency or one of the following Equivalent Courses: CGS X530, X570, X060, X100, X531, X570, X000, MAN X812
- (3) At UCF ECO 3401 is an acceptable substitute for STA X023 and MAC X233.
- * Limited Access.

Common Prerequisites for Degree Programs

Program: Accounting

Offered At: FAMU, FAU, FGCU, FIU*, FSU*, IRSC, UCF, UF*, UNF, USF*, UWF

CIP: 52.0301

Track: 1

Program Length: 120 Cr. Hrs.

Revised 2/24/2010
 Revised 3/2/2011
 Added campus 10/24/2012
 University added 4/11/2013
 Added limited access 5/22/2013
 REVISED 10/23/13
 REVISED 10/28/15
 Revised 5/28/2018
 Technical revision 7/24/2018
 Technical 12/11/2018; 9/25/19
 Revised 4/8/19 to reflect the same curriculum at USF on all campuses.

LOWER LEVEL COURSES

		Cr. Hrs.	
	ACGX021	3	Principles of Financial Accounting
	or- ACGX022	3	
	or- ACGX001	3	Principles of Financial Accounting
	&- ACGX011	3	Principles of Financial Accounting
	&- ACGX071 ⁽¹⁾		
	or- ACGX301		
	&- CGSX100 ⁽²⁾	3	
	or- CGSX100C	3	
	or- CGSX570	3	
	or- CGSX060	3	
	or- CGSX531	3	
	or- CGSX000	3	
	or- ISMX000	3	
	or- CGSX518	3	
	&- ECOX013	3	Macroeconomics
	&- ECOX023	3	Microeconomics
	&- STAX023 ⁽³⁾		
	or- STAX122		
	or- QMBX100		
	&- MACX233 ⁽³⁾		

(Please see notes in the following page)

(Continues from previous page)

FOR ALL MAJORS: Students are strongly encouraged to select required lower division electives that will enhance their general education coursework and that will support their intended baccalaureate degree program. Students should consult with an academic advisor in their major degree area.

- (1) At FSU and USF, ACGX071 will count toward the degree as elective credits for transfer students. However, it is recommended that native students take another non-accounting elective.
 - (2) or demonstrated competency. At FAMU, MANX543 is an acceptable substitute for CGSX100.
 - (3) At UCF, ECOX401 is an acceptable substitute for STAX023 and MACX233.
- * Limited Access.

Program: Actuarial Science **CIP:** 52.1304
Track: 1
Offered At: FSU, UCF **Program Length:** 120 Cr. Hrs.

REVISED 10/22/08
 The UCF program is inactive at this time.
 REVISED 10/28/2009
 Technical revision 7/18/2018

LOWER LEVEL COURSES

	Cr. Hrs.	
— COPXXXX (1)	3	
&— ECOX013	3	Principles of Macroeconomics
&— ECOX023	3	Principles of Microeconomics
&— MACX311	4	Calculus I w/ Analytical Geometry
&— MACX312	4	Calculus II w/ Analytical Geometry
&— MACX313	4	Calculus III w/ Analytical Geometry

FOR ALL MAJORS: Students are strongly encouraged to select required lower division electives that will enhance their general education coursework and that will support their intended baccalaureate degree program. Students should consult with an academic advisor in their major degree area.

- (1) a scientific programming course designed for computer science majors
 NOTE that all universities require a 'C' grade or better for admission.

Program:	<u>Advanced Technology</u>	CIP:	<u>11.0802</u>
	<u>Big Data</u>	Track:	<u>1</u>
Offered At:	<u>POLY</u>	Program Length:	<u>120 Cr. Hrs.</u>

New 6/30/2014
 Technical revision 7/3/2018
 Technical revisions 7/6/2018
 Technical 12/11/2018

LOWER LEVEL COURSES

	Cr. Hrs.	
— COPXXXX (1)	3	Intro Programming in C, C++, JAVA, or equivalent
&— Select one of the following:		
or— MACX311	4	Analytic Geometry and Calculus I
or— MACX281		
&— Select one of the following:		
or— MACX312	4	Analytic Geometry and Calculus II
or— MACX282		
&— MADX107	3	Discrete Mathematics
&—		
— PHYX048C		
or— PHYX049C		
or— Take both courses:		
&— PHYX048/X048L	5	
or— Take both courses:		
&— PHYX053/X053L	5	
or— Take both courses:		
&— PHYX044		
&— PHYX049L		
or— Take both courses:		
&— PHYX054/X054L	5	
or— PHYX053C	5	
or— PHYX054C	5	
&—		
— STAX023	3	Statistics
or— QMBX100		
or— STAX024		
or— STAX032		
or— STAX037		
or— STAX122		
&— QMBX200	3	Advanced Quantitative Methods
&— COPX530	3	Data Structures and Algorithms

(Please see notes in the following page)

(Continues from previous page)

- (1) Intro programming in C, C++, JAVA, or equivalent language.
FOR ALL MAJORS: Students are strongly encouraged to select required lower division electives that will enhance their general education coursework and that will support their intended baccalaureate degree program. Students should consult with an academic advisor in their major degree area.

Program:	<u>Advertising</u>	CIP:	<u>09.0903</u>
		Track:	<u>1</u>
Offered At:	<u>UCF*</u>	Program Length:	<u>120 Cr. Hrs.</u>
	<u>UF*</u>		<u>124</u>

REVISED 5/27/09
 REVISED 10/28/2009
 USF offers advertising under CIP 52.1499.
 Comment added 2011.
 Technical 12/11/2018

LOWER LEVEL COURSES

	Cr. Hrs.
ECO023	3
or- ECO013	3
&- AMHX010 (2)	3
&- AMHX020 (2)	3
&- POSX041 (2)	3
&- POSX112 (2)	3
&- SPCX608 (1)	3

FOR ALL MAJORS: Students are strongly encouraged to select required lower division electives that will enhance their general education coursework and that will support their intended baccalaureate degree program. Students should consult with an academic advisor in their major degree area.

-
- (1) Course is not required by UF.
 (2) Course is not required by UCF.
 * Limited Access.

Program: Aerospace Engineering

CIP: 14.0201

Offered At: UCF, UF

Track: 1

Program Length: 128 Cr. Hrs.

REVISED 2/25/09

LOWER LEVEL COURSES

	Cr. Hrs.
MACX311	4
or- MACX281	4
& MACX312	4
or- MACX282	4
& MACX313	4
or- MACX283	4
& MAPX302	3
or- MAPX305	3
& CHMX045/X045L	4
or- CHMX045C	4
or- CHSX440	
& CHMX045L	
& PHYX048/X048L	4
or- PHYX048C	4
& PHYX049/X049L	4
or- PHYX049C	4

FOR ALL MAJORS: Students are strongly encouraged to select required lower division electives that will enhance their general education coursework and that will support their intended baccalaureate degree program. Students should consult with an academic advisor in their major degree area.

Program:	<u>Aerospace Sciences</u>	CIP:	<u>49.0101</u>
		Track:	<u>1</u>
Offered At:	<u>PSC</u>	Program Length:	<u>120 Cr. Hrs.</u>

NEW 10/23/13

LOWER LEVEL COURSES

	Cr. Hrs.
└─ ASCX210	3
& └─ ASCX010	3
└─ or- AVMX010	3

FOR ALL MAJORS: Students are strongly encouraged to select required lower division electives that will enhance their general education coursework and that will support their intended baccalaureate degree program. Students should consult with an academic advisor in their major degree area.

For Polk State College's program, an AS in Professional Pilot Science is required for the professional pilot track, or students may enter with any associate degree as long as they have the FAA pilot ratings that are earned in the professional pilot degree. Those ratings are: US FAA Private Pilot (Single Engine Land), Instrument Rating (Single Engine or Multi-Engine track), and Commercial Pilot (Single Engine or Multi-Engine). For the Aerospace Administration concentration, students with an associate degree in any area can be accommodated.

Program:	<u>African-American (Black) Studies</u>	CIP:	<u>05.0201</u>
		Track:	<u>1</u>
Offered At:	<u>FAMU, FSU, USF</u>	Program Length:	<u>120 Cr. Hrs.</u>

REVIEWED - NO CHANGE 5/27/09
Technical revisions 7/3/2018

LOWER LEVEL COURSES

There are no specified common prerequisites for this major. All Florida College System students are encouraged to complete the Associate degree. Students should consult with an academic advisor in their major degree area at the intended transfer institution.

Program: Agricultural (Food & Resource) Economics

CIP: 01.0103

Track: 1

Offered At: UF

Program Length: 120 Cr. Hrs.

REVISED 2/25/09
Technical 12/11/2018
Technical 9/23/2019

LOWER LEVEL COURSES

	Cr. Hrs.
ACGX021	3
or	
ACGX001	
&-	
ACGX011	
&-	
BSCX005/X005L	4
or-	
BSX007C	4
&-	
CHMX083	3
or-	
CHMX032/X032L	4
or-	
CHMX025/X025L	4
&-	
MACX233	3
&-	
STAX023	3
or-	
STAX014	3
or-	
STAX122	3
&-	
SPCX608	3

FOR ALL MAJORS: Students are strongly encouraged to select required lower division electives that will enhance their general education coursework and that will support their intended baccalaureate degree program. Students should consult with an academic advisor in their major degree area.

Program: Agricultural Business/Operations

CIP: 01.0102

Track: 1

Offered At: FAMU

Program Length: 120 Cr. Hrs.

REVISED 2/25/09
Technical 8/20/2019

LOWER LEVEL COURSES

	Cr. Hrs.
BSCX010C	4
or— BSCX010/X010L	4
or— BOTX010/X010L	4
or— BOTX010C	4
or— ZOOX010C	4
&— BSCX005C	4
or— BSCX005/X005L	4
&— CGSX160	3
&— CHMX030/X030L	4
or— PSCX121/X121L	4
or— PSCX121C	4
&— ECOX013	3
&— ECOX023	3
&— MACX105	3
&— MACX311	4
or— MACX281	4
&— SPCX608	3
&— STAX023	3
or— STAX014	3
or— STAX122	3

FOR ALL MAJORS: Students are strongly encouraged to select required lower division electives that will enhance their general education coursework and that will support their intended baccalaureate degree program. Students should consult with an academic advisor in their major degree area.

Program: Agricultural Engineering

CIP: 14.0301

Track: 1

Offered At: FAMU

Program Length: 128 Cr. Hrs.

REVISED 2/25/09

Deleted university 10/24/2012

Technical course correction 10/23/2013

Technical 12/11/2018

LOWER LEVEL COURSES

	Cr. Hrs.
ENCX101	3
&- ENCX102	3
&- MACX311	4
or- MACX281	4
&- MACX312	4
or- MACX282	4
&- MACX313	4
or- MACX283	4
&- MAPX302	3
or- MAPX305	3
&- CHMX045/X045L	4
or- CHMX045C	4
or- CHSX440/X440L	4
&- PHYX048/X048L	4
or- PHYX048C	4
&- PHYX049/X049L	4
or- PHYX049C	4
or- PHYX044	3
&- PHYX049L	1
&- CHMX046/X046L	4

FOR ALL MAJORS: Students are strongly encouraged to select required lower division electives that will enhance their general education coursework and that will support their intended baccalaureate degree program. Students should consult with an academic advisor in their major degree area.

Program: Agricultural Teacher Education (Vocational) **CIP:** 13.1301
Track: 1
Offered At: UF **Program Length:** 120 Cr. Hrs.

REVISED 2/25/09
 Note deleted and added 9/13/2016
 Revised Oct. 2017

LOWER LEVEL COURSES

	Cr. Hrs.	
— EDFX005	3	Intro to Education
&— SPCX608	3	
&— — ENCX210	3	
— or— ENCX213	3	
&— MACX140	4	
&— BSCX005/X005L	4	
&— — CHMX045/X045L	4	
— or— PHYX020	4	
&— — ECOX013	3	
— or— ECOX023	3	

FOR ALL MAJORS: Students are strongly encouraged to select required lower division electives that will enhance their general education coursework and that will support their intended baccalaureate degree program. Students should consult with an academic advisor in their major degree area.

FOR EDUCATION MAJORS: General education courses will be determined by the community college or university where the student currently is earning the Associate in Arts or baccalaureate degree, and will be published in the institution's existing catalog and delineated in the Statewide Course Numbering System.

Program: Agriculture Science

CIP: 01.0000

Track: 1

Offered At: FAMU

Program Length: 120 Cr. Hrs.

REVISED 2/25/09
Technical 12/11/2018
Technical 12/12/2018

LOWER LEVEL COURSES

	Cr. Hrs.
BSCX010C	4
or— BSCX010/X010L	4
or— ZOOX010/X010L	4
or— ZOOX010C	4
or— BOTX010C	4
&— BSCX011C	4
or— BSCX011/X011L	4
or— BOTX011C	4
or— BOTX011/X011L	4
&— CGSX160	3
&— CHMX045/X045L	4
or— CHMX045C	4
or— CHMX040	
&— CHMX041	
&— CHMX045L	
&— CHMX046/X046L	4
or— CHMX046C	4
&— ECOX013	3
or— ECOX023	3
&— MACX105	3
&— MACX147	
or— MACX114	3
&— MACX140	3
or— MACX133	
&— SPCX608	3
&— STAX023	3
or— STAX014	3
or— STAX122	3
&— SYGX000	3
or— PSYX012	3

FOR ALL MAJORS: Students are strongly encouraged to select required lower division electives that will enhance their general education coursework and that will support their intended baccalaureate degree program. Students should consult with an academic advisor in their major degree area.

Program:	<u>American Studies (USA)</u>	CIP:	<u>05.0102</u>
		Track:	<u>1</u>
Offered At:	<u>FSU, USF</u>	Program Length:	<u>120 Cr. Hrs.</u>

REVIEWED - NO CHANGE 5/27/09
Revised 5/25/2011(univ termination)
Technical revision 7/3/2018

LOWER LEVEL COURSES

There are no specified common prerequisites for this major. All Florida College System students are encouraged to complete the Associate degree. Students should consult with an academic advisor in their major degree area at the intended transfer institution.

Program:	<u>Animal Science</u>	CIP:	<u>01.0901</u>
	<u>Animal Biology</u>	Track:	<u>1/2</u>
Offered At:	<u>UF</u>	Program Length:	<u>120 Cr. Hrs.</u>

REVISED 2/25/09
 Technical 12/11/2018

LOWER LEVEL COURSES

	Cr. Hrs.
_____ BSCX010/X010L	4
or- BSCX010C	4
or- ZOOX010/X010L	4
or- ZOOX010C	4
or- BOTX010/X010L	4
or- BOTX010C	4
& _____ BSCX011/X011L	4
or- BSCX011C	4
& _____ CHMX045/X045L	4
or- CHMX045C	4
or- _____ CHMX040	
&- CHMX041	
&- CHMX045L	
& _____ CHMX046/X046L	4
or- CHMX046C	4
& _____ ECOX023	3
or- ECOX013	3
& _____ ENCX213	3
or- ENCX210	3
& _____ MACX147	4
or- _____ MACX114	
&- MACX140	
or- _____ MACX105	
&- MACX114	
&- SPCX608	3
&- MACX311	4

FOR ALL MAJORS: Students are strongly encouraged to select required lower division electives that will enhance their general education coursework and that will support their intended baccalaureate degree program. Students should consult with an academic advisor in their major degree area.

Program: Animal Science
Animal Industry
Offered At: UF

CIP: 01.0901
Track: 2/2
Program Length: 120 Cr. Hrs.

NEW 2/25/09
 Technical 12/11/2018

LOWER LEVEL COURSES

	Cr. Hrs.
_____ BSCX010/X010L	4
or- BSCX010C	4
or- ZOOX010/X010L	4
or- ZOOX010C	4
& _____ BSCX011/X011L	4
or- BSCX011C	4
& _____ CHMX045/X045L	4
or- CHMX045C	4
or- CHMX040	
&- CHMX041	
&- CHMX045L	
& _____ ECOX023	3
or- ECOX013	3
& _____ ENCX213	3
or- ENCX210	3
& _____ MACX147	4
or- MACX114	
&- MACX140	
or- MACX105	
&- MACX114	
&- SPCX608	3
&- MCBX000/X000L	4

FOR ALL MAJORS: Students are strongly encouraged to select required lower division electives that will enhance their general education coursework and that will support their intended baccalaureate degree program. Students should consult with an academic advisor in their major degree area.

Program: Anthropology **CIP:** 45.0201
Track: 1
Offered At: FAU, FGCU, FSU, UCF, UF, UNF, USF, UWF **Program Length:** 120 Cr. Hrs.

Added campus 10/24/2012
 REVISED 10/28/15
 Technical revision 7/18/2018
 Revised 4/8/2019 to reflect the curriculum being the same at both the USF Tampa and USF St. Petersburg campus.
 Technical 9/25/2019

LOWER LEVEL COURSES

	Cr. Hrs.
└─ ANTXXXX	3
&─ ANTXXXX	3

FOR ALL MAJORS: Students are strongly encouraged to select required lower division electives that will enhance their general education coursework and that will support their intended baccalaureate degree program. Students should consult with an academic advisor in their major degree area.

 Two introductory courses in Anthropology (ANT prefix).

Program: Applied Physiology and Kinesiology

CIP: 26.0908

Track: 1/2

Offered At: FSU, UF

Program Length: 120 Cr. Hrs.

New 5/26/2010.
FGCU offers exercise science in CIP 31.0505.
Revised 10/24/2012
Added FSU 8/6/2014 (moved from 31.0505)
Technical revision 7/9/2018; 12/12/2018

LOWER LEVEL COURSES

	Cr. Hrs.
Take both courses:	
&- BSCX085/X085L	4
or- Take both courses:	
&- PETX322/X322L	4
or- Take both courses:	
&- BSCX093/X093L	4
or- APKX100C	
&- BSCX086/X086L	4
or- PETX323C	4
or- APKX105C	4
or- BSCX094/X094L	4
&- PSYX012	3
&- HUNX201 (1)	3
&- MACX147	4
or- MACX311 (2)	4
or- MACX140	4
&- MACX114	4
&- Select from the following:	
or- BSCX010C	4
or- Take both courses:	
&- BSCX010/X010L	4
&- Select from the following:	
or- BSCX011C	4
or- Take both courses:	
&- BSCX011/X011L	4
&- Select from the following:	
or- CHMX045C	4
or- Take both courses:	
&- CHMX045/X045L	4
&- Select from the following:	
or- CHMX046C	4
or- Take both courses:	
&- CHMX046/X046L	4

(1) Only FSU and FGCU require HUNX201.

(2) UF requires MACX311.

FOR ALL MAJORS: Students are strongly encouraged to select required lower division electives that will enhance their general education coursework and that will support their intended baccalaureate degree program. Students should consult with an academic advisor in their major degree area.

Program:	<u>Applied Physiology and Kinesiology</u>	CIP:	<u>26.0908</u>
	<u>Fitness and Wellness</u>	Track:	<u>2/2</u>
Offered At:	<u>UF</u>	Program Length:	<u>120 Cr. Hrs.</u>

New 2/25/09
 Technical revision 7/9/2018
 Revision 11/24/2018; Technical 12/10/2018, 12/28/2018

LOWER LEVEL COURSES

	Cr. Hrs.
— BSCX085C	4
or— Take both courses:	
&— BSCX085/X085L	4
or— Take both courses:	
&— PETX322/X322L	4
or— APKX100C	
or— Take both courses:	
&— BSCX093/X093L	4
or— BSCX093C	
&— BSCX086C	4
or— Take both courses:	
&— BSCX086/X086L	4
or— PETX323C	4
or— APKX105C	4
or— Take both courses:	
&— BSCX094/X094L	4
or— BSCX094C	4
&— PSYX012	3
&— ECOX023	4
&— STAX023	4
&— HUNX201	3
&— MACX147	4
or— MACX140	4
or— MACX311	4
&— Select one of the courses:	
or— ATRX010C	
or— PETX622	

FOR ALL MAJORS: Students are strongly encouraged to select required lower division electives that will enhance their general education coursework and that will support their intended baccalaureate degree program. Students should consult with an academic advisor in their major degree area.

Program:	<u>Applied Science</u>	CIP:	<u>24.0102</u>
		Track:	<u>1</u>
Offered At:	<u>UCF, USF</u>	Program Length:	<u>120 Cr. Hrs.</u>

REVISED 2/25/09

University added 4/11/2013

Technical revision 7/3/2018

FGCU terminated/UCF inactive fall 2018.

Revised 4/8/19 to reflect the same curriculum at the USF Tampa, USF St. Petersburg and USF Sarasota-Manatee campus.

Technical 9/25/2019

LOWER LEVEL COURSES

There are no specified common prerequisites for this major. All Florida College System students are encouraged to complete the Associate degree. Students should consult with an academic advisor in their major degree area at the intended transfer institution.

The following is language approved by those colleges with BAS degree programs:

Admission to Bachelor of Applied Science (B.A.S.) degree programs usually requires an Associate in Science (A.S.) or Associate in Applied Science (A.A.S.) degree in a related area. If a student has earned an Associate in Arts (A.A.) degree, or an A.S. degree, an A.A.S. degree, or its equivalent in an unrelated area, the student may be admitted on a case-by-case basis with approval of the appropriate academic administrator. Some majors may have licensure or other types of requirements prior to admittance. Due to the variance in specialized B.A.S. degree programs and concentrations, students are strongly encouraged to consult with an academic advisor at the B.A.S degree-granting institution.

Program: Architectural Engineering Technology **CIP:** 15.0101
Track: 1
Offered At: SSCF **Program Length:** 128 Cr. Hrs.

NEW 3/2/11
 REVISED 2/27/2019

LOWER LEVEL COURSES

	Cr. Hrs.	
Take either Course or- MACX233 or- MACX311	3 3	Concepts of Calculus Analytic Geometry and Calculus
&- Take either course or- STAX023 or- MACX312	3 3	Statistical Methods 1 Analytic Geometry and Calculus 2
&- PHYX053C	3	General Physics
&- EGNX111C	3	Engineering Graphics I
&- ETDX320C	3	Computer-Aided Design 1
&- ARCX301	3	Architectural Design 1

FOR ALL MAJORS: Students are strongly encouraged to select required lower division electives that will enhance their general education coursework and that will support their intended baccalaureate degree program. Students should consult with an academic advisor in their major degree area.

Program:	<u>Architecture</u>	CIP:	<u>04.0201</u>
		Track:	<u>1</u>
Offered At:	<u>UCF, UF*</u>	Program Length:	<u>120 Cr. Hrs.</u>
	<u>FAMU*</u>		<u>150</u>
	<u>FAU*</u>		<u>159</u>

REVISED 5/27/09
 Technical Revision 7/3/2018
 Revised 4/30/2019. ARCX462 removed.
 Revised 6/11/2019
 Technical 8/20/2019

LOWER LEVEL COURSES

	Cr. Hrs.
— ARCX702	3
&— ARCX301	4
&— ARCX302	4
&— ARCX701	3
&— ARCX201	3
&— ARCX303	5
&— ARCX304	5
&— ARCX461	4
or— ARCX470	4
&— ARCX501	3
or— ARCX580 ⁽¹⁾	3
&— MACX233	3
or— MACX311	3
or— MACX114	3
or— MACX140	3
&— ARCX180	3
or— ARCX057	3
or— ARCX058	3
&— PHYX053	

FOR ALL MAJORS: Students are strongly encouraged to select required lower division electives that will enhance their general education coursework and that will support their intended baccalaureate degree program. Students should consult with an academic advisor in their major degree area.

 (1) ARCX580, Structures I, is a common prerequisite for all institutions except UF.
 * Limited Access.

Program: Art History & Appreciation **CIP:** 50.0703
Track: 1
Offered At: FIU, FSU, UF, UNF, USF **Program Length:** 120 Cr. Hrs.

REVISED 5/27/09
 The UWF program is inactive at this time.
 REVISED 10/28/2009
 Added institution 5/3/2012
 Terminated university May 2017.
 Technical 6/18/2019
 Technical 6/18/2019

LOWER LEVEL COURSES

BA Art History Track ONLY:
 (For BA, BS, and BFA see 50.0701 and 50.0702)

	Cr. Hrs.	
ARTX201 (1)	3	
or- ARTX202C (2)	3	
or- ARTX203 (3)	3	
or- ARTX205 (4)	3	
& ARTX300 (5)	3	
or- ARTX301 (6)	3	
or- ARTX310C (7)	3	
&- ARHX050	3	Introduction to Art History I
&- ARHX051	3	Introduction to Art History II
&- XXXXXXXX (8)	9-12	

FOR ALL MAJORS: Students are strongly encouraged to select required lower division electives that will enhance their general education coursework and that will support their intended baccalaureate degree program. Students should consult with an academic advisor in their major degree area.

 NOTE: All courses except the foreign language coursework require a 'C' or higher.

- (1) Basic design, Design I
- (2) Design II, 3D, methods and concepts
- (3) Design II, 3D, concepts & Practices
- (4) Color, color & composition, color design, color theory
- (5) Drawing I, drawing foundations
- (6) Drawing II
- (7) Intermediate drawing
- (8) Competency requirement of a single foreign language

Program: Art Teacher Education **CIP:** 13.1302
Track: 1
Offered At: FIU, UCF, UF*, UNF **Program Length:** 126 Cr. Hrs.

REVISED 2/25/09
 REVISED 10/28/2009
 Deleted university 5/25/2011
 Deleted university 10/24/2012
 Deleted and added note 9/13/2016
 Revised Oct. 2017.
 Technical revision 7/6/2018
 2/2019 - UF has temporarily Suspended its program.
 Technical 6/19/2019

LOWER LEVEL COURSES

	Cr. Hrs.
EDFX005	3
&- ARTX300	3
&- ARTX201 (2)	3
&- ARTX301	3
or- ARTX330C (3)	3
or- ARTX205 (4)	3
or- ARTX310C (5)	3
or- ARTX305C (6)	3
&- ARTX202C	3
or- ARTX203 (1)	3
&- ARHX050	
&- ARHX051	3

FOR ALL MAJORS: Students are strongly encouraged to select required lower division electives that will enhance their general education coursework and that will support their intended baccalaureate degree program. Students should consult with an academic advisor in their major degree area.

FOR EDUCATION MAJORS: General education courses will be determined by the community college or university where the student currently is earning the Associate in Arts or baccalaureate degree, and will be published in the institution's existing catalog and delineated in the Statewide Course Numbering System.

-
- (2) Design I, 2-D
 - (3) Figure Drawing
 - (4) Color, color composition
 - (5) intermediate drawing
 - (6) observational drawing, perceptual drawing
 - (1) Design II, 3-D
 - * Limited Access.

Program: Art, General **CIP:** 50.0701
Track: 1
Offered At: FAU, FGCU, FIU, UCF, UNF, USF, UWF **Program Length:** 120 Cr. Hrs.

REVISED 5/27/09
 Clarified requirements 5/1/2019
 Technical 6/18/2019

LOWER LEVEL COURSES

	Cr. Hrs.	
ARTX201	3	
&- Select an option that does not duplicate another course taken:		
or- ARTX202C	3	Design II, Lower (2-D)
or- ARTX203	3	Design II, Lower (3-D)
or- ARTX701C	3	Sculpture I
or- ARTX203C	3	Design II, Lower (3-D)
&- ARTX300C	3	Drawing I, Lower
&- Select an option that does not duplicate another course taken:		
or- ARTX301	3	Drawing II
or- ARTX205	3	Color and Composition, Lower
or- ARTX310C	3	Drawing, Upper
or- ARTX305C	3	Drawing II
or- ARTX330C	3	Life Drawing I Lower
or- ARTX200C		Three Dimensional Design
or- ARTX353C	3	Drawing Studio
or- ARTX301C	3	Drawing II
or- ARTX312C		Drawing II, Upper
or- ARTX500	3	Painting I, Lower
or- ARTX500C	3	Painting I, Lower
&- ARHX050 (1)	3	
&- ARHX051 (1)	3	
&- Select two courses below that do not duplicate others taken:		
&- ARTXXXX	3	
&- ARTXXXX	3	

FOR ALL MAJORS: Students are strongly encouraged to select required lower division electives that will enhance their general education coursework and that will support their intended baccalaureate degree program. Students should consult with an academic advisor in their major degree area.

(1) All courses except ARHX050 and ARHX051 require a 'C' or higher.

Program:	<u>Asian Studies</u>	CIP:	<u>05.0103</u>
		Track:	<u>1</u>
Offered At:	<u>FIU, FSU, UF</u>	Program Length:	<u>120 Cr. Hrs.</u>

REVIEWED - NO CHANGE 5/27/09
Technical revision 7/3/2018.

LOWER LEVEL COURSES

There are no specified common prerequisites for this major. All Florida College System students are encouraged to complete the Associate degree. Students should consult with an academic advisor in their major degree area at the intended transfer institution.

Program: Astronomy **CIP:** 40.0201
Track: 1
Offered At: UF **Program Length:** 120 Cr. Hrs.

REVISED 5/27/09

LOWER LEVEL COURSES

	Cr. Hrs.
MACX311	4
&— MACX312	4
&— MACX313	4
&— PHYX048/X048L	4
&— PHYX049/X049L	4
or— PHYX048C	4
&— PHYX049C	4

FOR ALL MAJORS: Students are strongly encouraged to select required lower division electives that will enhance their general education coursework and that will support their intended baccalaureate degree program. Students should consult with an academic advisor in their major degree area.

(Continues from previous page)

FOR ALL MAJORS: Students are strongly encouraged to select required lower division electives that will enhance their general education coursework and that will support their intended baccalaureate degree program. Students should consult with an academic advisor in their major degree area.

(1) Physics is a pre-req, however a program may choose to waive this course as a pre-requisite but still require it as a graduation requirement.

* Limited Access.

Program:	<u>Behavioral Healthcare</u>	CIP:	<u>44.0000</u>
	<u>Behavioral Healthcare</u>	Track:	<u>2/2</u>
Offered At:	<u>USF</u>	Program Length:	<u>120 Cr. Hrs.</u>

New 10/24/2012

Technical revision 7/18/2018

LOWER LEVEL COURSES

	Cr. Hrs.	
PSYX012 (1)	3	Introduction to Psychological Science
&- Take one of these two courses		
or- STAXXXX (1)	3	Any level Statistics Course
or- PSYX204 (1)	3	Psychological Statistics
&- Take one of these two courses		
or- SYGX000 (1)	3	Introduction to Sociology
or- SYGX010 (1)	3	Contemporary Social Problems

(1) Courses require a C or better.

FOR ALL MAJORS: Students are strongly encouraged to select required lower division electives that will enhance their general education coursework and that will support their intended baccalaureate degree program. Students should consult with their academic advisor in their major degree area.

Program: Biochemistry

CIP: 26.0202

Offered At: FGCU, FSU

Track: 1

Program Length: 120 Cr. Hrs.

REVISED 5/27/09

Added institution 6/30/2014

Technical 12/12/2018

LOWER LEVEL COURSES

	Cr. Hrs.
_____ BSCX010/X010L	4
or- BSCX010C	4
or- BSCX040C	4
&_____ BSCX011/X011L	4
or- BSCX011C	4
or- BSCX041C	
&_____ CHMX045/X045L	4
or- CHMX045C	4
or- CHMX040	
&- CHMX041	
&_____ CHMX046/X046L	4
or- CHMX046C	4
&_____ CHMX210/X210L	4
or- PHYX048/X048L	4
or- PHYX053/X053L	4
&_____ CHMX211/X211L	4
or- PHYX049/X049L	4
or- PHYX054/X054L	4
&- MACX312 ⁽¹⁾	4
&_____ MACX311	4
or- MACX233	4
or- MACX253	4
or- MACX281	4

FOR ALL MAJORS: Students are strongly encouraged to select required lower division electives that will enhance their general education coursework and that will support their intended baccalaureate degree program. Students should consult with an academic advisor in their major degree area.

(1) Although MACX312 is required for the degree, students may be admitted prior to completion of this course.

Program: Biological & Physical Sciences Interdisciplinary
 Studies

 Biology and Computer Science

Offered At: UWF

CIP: 30.0101

Track: 2/16

Program Length: 120 Cr. Hrs.

(UWF Tracks 1-15, USF Track 16)
 REVISED 5/27/09
 Technical revision 7/10/2018
 Technical 9/24/2019

LOWER LEVEL COURSES

	Cr. Hrs.
_____ BSCX010/X010L	4
or_____ ZOOX010/X010L	4
or_____ BSCX010C	4
or_____ ZOOX010C	4
&_____ BSCX011/X011L	4
or_____ BOTX010/X010L	4
or_____ BSCX011C	4
or_____ BOTX010C	4
&_____ CHMX045/X045L	4
or_____ CHMX045C	4
&_____ Select from the following:	
or_____ CHMX046C	3
or_____ Take both courses:	
&_____ CHMX046/X046L	4
&_____ Select from the following:	
or_____ CHMX210C	4
or_____ Take both courses:	
&_____ CHMX210/X210L	4
&_____ COPXXXX (1)	3
&_____ PHYX053/X053L	
&_____ PHYX054/X054L	
or_____ PHYX048/X048L	
&_____ PHYX049/X049L	
or_____ Take both courses:	
&_____ PHYX053C	5
&_____ PHYX054C	5
or_____ Take both courses:	
&_____ PHYX048C	5
&_____ PHYX049C	5
&_____ MACX311	4
or_____ STAX023	3

(Please see notes in the following page)

(Continues from previous page)

FOR ALL MAJORS: Students are strongly encouraged to select required lower division electives that will enhance their general education coursework and that will support their intended baccalaureate degree program. Students should consult with an academic advisor in their major degree area.

- (1) Introductory programming in Ada, C, C++, Pascal or equivalent language

Program:	Biological & Physical Sciences Interdisciplinary Studies	CIP:	30.0101
	Biology and Mathematics	Track:	4/16
Offered At:	UWF	Program Length:	120 Cr. Hrs.

(UWF Tracks 1-15, USF Track 16)
 REVISED 5/27/09
 Technical revisions 7/10/2018

LOWER LEVEL COURSES

	Cr. Hrs.
_____ BSCX010/X010L	4
or_____ ZOOX010/X010L	4
or- BSCX010C	4
or- ZOOX010C	4
&_____ BSCX011/X011L	4
or_____ BOTX010/X010L	4
or- Take both courses:	
&_____ BSCX011C	4
&_____ BOTX010C	4
&_____ CHMX045/X045L	4
or- CHMX045C	4
&- Select from the following:	
or- CHMX046C	4
or- Take both courses:	
&- CHMX046/X046L	4
&- MACX311	4
&- MACX312	4
&- MACX313	4
&_____ PHYX048/X048L	4
or_____ PHYX053/X053L	4
or- PHYX048C	5
or- PHYX053C	5
&_____ PHYX049/X049L	4
or_____ PHYX054/X054L	4
or- PHYX049C	5
or- PHYX054C	5

FOR ALL MAJORS: Students are strongly encouraged to select required lower division electives that will enhance their general education coursework and that will support their intended baccalaureate degree program. Students should consult with an academic advisor in their major degree area.

Program:	Biological & Physical Sciences Interdisciplinary Studies	CIP:	30.0101
	Chemistry and Computer Science	Track:	6/16
Offered At:	UWF	Program Length:	120 Cr. Hrs.

(UWF Tracks 1-15, USF Track 16)
 REVISED 5/27/09
 Technical revisions 7/10/2018
 Technical 12/11/2018
 Technical 6/18/2019

LOWER LEVEL COURSES

	Cr. Hrs.
CHMX045/X045L	4
or- CHMX045C	4
&- Select from the following:	
or- CHMX046C	4
or- Take both courses:	
&- CHMX046/X046L	4
&- COPXXXX (1)	3
&- MACX311	4
&- MACX312	4
&- CHMX210/X210L	
&- CHMX211/X211L	
or- Take both courses	
&- CHMX210C	
&- CHMX211C	
or- PHYX048/X048L	
&- PHYX049/X049L	
or- Take both courses:	
&- PHYX048C	
&- PHYX049C	
or- PHYX053/X053L	
&- PHYX054/X054L	
or- Take both courses:	
&- PHYX053C	
&- PHYX054C	

FOR ALL MAJORS: Students are strongly encouraged to select required lower division electives that will enhance their general education coursework and that will support their intended baccalaureate degree program. Students should consult with an academic advisor in their major degree area.

 (1) Introductory programming in Ada, C, C++, Pascal or equivalent language

Program:	Biological & Physical Sciences Interdisciplinary Studies	CIP:	30.0101
	Chemistry and Earth Science	Track:	7/16
Offered At:	UWF	Program Length:	120 Cr. Hrs.

(UWF Tracks 1-15, USF Track 16)
 REVISED 5/27/09
 Technical revisions 7/10/2018
 Technical 12/11/2018
 Technical 6/18/2019
 Technical 9/24/2019

LOWER LEVEL COURSES

	Cr. Hrs.
CHMX045/X045L	4
or- CHMX045C	4
&- Select from the following:	
or- CHMX046C	4
or- Take both courses:	
&- CHMX046/X046L	4
&- GEOX200/X200L	4
or- GEOX200C	4
or- GLYX200C	4
&- MACX311	4
&- MACX312	4
&- CHMX210/X210L	
&- CHMX211/X211L	
or- PHYX048/X048L	
&- PHYX049/X049L	
or- PHYX053/X053L	
&- PHYX054/X054L	
or- Take both courses:	
&- CHMX210C	4
&- CHMX211C	4
or- Take both courses:	
&- PHYX048C	5
&- PHYX049C	5
or- Take both courses:	
&- PHYX053C	5
&- PHYX054C	5

FOR ALL MAJORS: Students are strongly encouraged to select required lower division electives that will enhance their general education coursework and that will support their intended baccalaureate degree program. Students should consult with an academic advisor in their major degree area.

Program:	Biological & Physical Sciences Interdisciplinary Studies	CIP:	30.0101
	Chemistry and Mathematics	Track:	8/16
Offered At:	UWF	Program Length:	120 Cr. Hrs.

(UWF Tracks 1-15, USF Track 16)
 REVISED 5/27/09
 Technical revisions 7/10/2018
 Technical 6/18/2019
 Technical 9/24/2019

LOWER LEVEL COURSES

	Cr. Hrs.
CHMX045/X045L	4
or- CHMX045C	4
&- Select from the following:	
or- CHMX046C	4
or- Take both courses:	
&- CHMX046/X046L	4
&- MACX311	4
&- MACX312	4
&- MACX313	4
&-	
CHMX210/X210L	
&- CHMX211/X211L	
or-	
PHYX048/X048L	
&- PHYX049/X049L	
or-	
PHYX053/X053L	
&- PHYX054/X054L	
or- Take both courses:	
&- CHMX210C	4
&- CHMX211C	4
or- Take both courses:	
&- PHYX048C	5
&- PHYX049C	5
or- Take both courses:	
&- PHYX053C	5
&- PHYX054C	5

FOR ALL MAJORS: Students are strongly encouraged to select required lower division electives that will enhance their general education coursework and that will support their intended baccalaureate degree program. Students should consult with an academic advisor in their major degree area.

Program: Biological & Physical Sciences Interdisciplinary
 Studies
 Chemistry and Physics
Offered At: UWF

CIP: 30.0101
Track: 9/16
Program Length: 120 Cr. Hrs.

(UWF Tracks 1-15, USF Track 16)
 REVISED 5/27/09
 Technical revisions 7/10/2018
 Technical 6/19/2019
 Technical 9/24/2019

LOWER LEVEL COURSES

	Cr. Hrs.
CHMX045/X045L	4
or- CHMX045C	4
&- CHMX046/X046L	4
or- CHMX046C	4
&- CHMX210/X210L	
&- CHMX211/X211L	
or- PHYX048/X048L	
&- PHYX049/X049L	
or- PHYX053/X053L	
&- PHYX054/X054L	
or- Take both courses:	
&- CHMX210C	4
&- CHMX211C	4
or- Take both courses:	
&- PHYX048C	5
&- PHYX049C	5
or- Take both courses:	
&- PHYX053C	5
&- PHYX054C	5
&- MACX311	4
&- MACX312	4

FOR ALL MAJORS: Students are strongly encouraged to select required lower division electives that will enhance their general education coursework and that will support their intended baccalaureate degree program. Students should consult with an academic advisor in their major degree area.

Program: Biological & Physical Sciences Interdisciplinary
 Studies
 Computer Science and Earth Science
Offered At: UWF

CIP: 30.0101
Track: 10/16
Program Length: 120 Cr. Hrs.

(UWF Tracks 1-15, USF Track 16)
 REVISED 5/27/09
 Technical revisions 7/10/2018
 Technical 12/11/2018
 Technical 6/17/2019
 Technical 9/24/2019

LOWER LEVEL COURSES

	Cr. Hrs.
CHMX045/X045L	4
or- CHMX045C	4
& CHMX046/X046L	4
or- CHMX046C	4
& BSCX010/X010L	
& BSCX011/X011L	
or- ZOOX010/X010L	
& BOTX010/X010L	
or- Take both courses:	
& BSCX010C	4
& BSCX011C	4
or- Take both courses:	
& ZOOX010C	4
& BOTX010C	4
& MACX311	4
& STAX023	3
& COPXXXX (1)	3
& GEOX200/X200L	4
or- GEOX200C	4
or- GLYX200C	4
& PHYX053/X053L	
& PHYX054/X054L	
or- PHYX048/X048L	
& PHYX049/X049L	
or- Take both courses:	
& PHYX053C	5
& PHYX054C	5
or- Take both courses:	
& PHYX048C	5
& PHYX049C	5

(Please see notes in the following page)

(Continues from previous page)

FOR ALL MAJORS: Students are strongly encouraged to select required lower division electives that will enhance their general education coursework and that will support their intended baccalaureate degree program. Students should consult with an academic advisor in their major degree area.

- (1) Introductory programming in Ada, C, C++, Pascal or equivalent language

Program: Biological & Physical Sciences Interdisciplinary
 Studies
 Computer Science and Mathematics
Offered At: UWF

CIP: 30.0101
Track: 11/16
Program Length: 120 Cr. Hrs.

(UWF Tracks 1-15, USF Track 16)

REVISED 5/27/09

Technical revision 7/10/2018

Technical 6/17/2019

LOWER LEVEL COURSES

	Cr. Hrs.
— COPXXXX (1)	3
&— MACX311	4
&— MACX312	4
&— MACX313	4
&—	
— PHYX048/X048L	
&— PHYX049/X049L	
or— PHYX053C	4
&— PHYX054C	4
or— PHYX053/X053L	4
&— PHYX054/X054L	4
or— Take both courses:	
&— PHYX048C	5
&— PHYX049C	5

FOR ALL MAJORS: Students are strongly encouraged to select required lower division electives that will enhance their general education coursework and that will support their intended baccalaureate degree program. Students should consult with an academic advisor in their major degree area.

(1) Introductory programmin in Ada, C, C++, Pascal or equivalent language

Program: Biological & Physical Sciences Interdisciplinary
 Studies
 Computer Science and Physics
Offered At: UWF

CIP: 30.0101
Track: 12/16
Program Length: 120 Cr. Hrs.

(UWF Tracks 1-15, USF Track 16)
 REVISED 5/27/09
 Technical revisions 7/10/2018
 Technical 6/17/2019

LOWER LEVEL COURSES

	Cr. Hrs.
— COPXXXX (1)	3
&— Select from the following:	
— or— CHMX045C	4
— or— Take both courses:	
— &— CHMX045/X045L	4
&— Select from the following:	
— or— CHMX046C	4
— or— Take both courses:	
— &— CHMX046/X046L	4
&— MACX311	4
&— MACX312	4
&—	
— PHYX048/X048L	
— &— PHYX049/X049L	
— or— PHYX053C	4
— &— PHYX054C	4
— or— Take both courses:	
— &— PHYX048C	5
— &— PHYX049C	5
— or— Take all of the following:	
— &— PHYX053/X053L	5
— &— PHYX054/X054L	5

FOR ALL MAJORS: Students are strongly encouraged to select required lower division electives that will enhance their general education coursework and that will support their intended baccalaureate degree program. Students should consult with an academic advisor in their major degree area.

(1) -----
 Introductory programming in Ada, C, C++, Pascal or equivalent language

Program: Biological & Physical Sciences Interdisciplinary
 Studies
 Earth Science and Mathematics
Offered At: UWF

CIP: 30.0101
Track: 13/16
Program Length: 120 Cr. Hrs.

(UWF Tracks 1-15, USF Track 16)
 REVISED 5/27/09
 Technical revisions 7/10/2018
 Technical 12/11/2018
 Technical 6/17/2019

LOWER LEVEL COURSES

	Cr. Hrs.
BSCX010/X010L	
&- BSCX011/X011L	
or- ZOOX010/X010L	
&- BOTX010/X010L	
or- Take both courses:	
&- BSCX010C	4
&- BSCX011C	4
or- Take both courses:	
&- ZOOX010C	4
&- BOTX010C	4
&- CHMX045/X045L	4
or- CHMX045C	4
&- Select from the following:	
or- CHMX046C	4
or- Take both courses:	
&- CHMX046/X046L	4
&- MACX311	4
&- MACX312	4
&- MACX313	4
&- GEOX200/X200L	4
or- GEOX200C	4
or- GLYX200C	4

FOR ALL MAJORS: Students are strongly encouraged to select required lower division electives that will enhance their general education coursework and that will support their intended baccalaureate degree program. Students should consult with an academic advisor in their major degree area.

Program: Biological & Physical Sciences Interdisciplinary
 Studies
 Earth Science and Physics
Offered At: UWF

CIP: 30.0101
Track: 14/16
Program Length: 120 Cr. Hrs.

(UWF Tracks 1-15, USF Track 16)
 REVISED 5/27/09
 Technical revisions 7/10/2018
 Technical 6/17/2019

LOWER LEVEL COURSES

	Cr. Hrs.
BSCX010/X010L	
&- BSCX011/X011L	
or- ZOOX010/X010L	
&- BOTX010/X010L	
or- Take both courses:	
&- BSCX010C	4
&- BSCX011C	4
or- Take both courses:	
&- ZOOX010C	4
&- BOTX010C	4
&- CHMX045/X045L	4
or- CHMX045C	4
&- Select from the following:	
or- CHMX046C	4
or- Take both courses:	
&- CHMX046/X046L	4
&- MACX311	4
&- MACX312	4
&- PHYX048/X048L	
&- PHYX049/X049L	
or- PHYX053C	4
&- PHYX054C	4
or- PHYX053/X053L	4
&- PHYX054/X054L	4
or- Take both courses:	
&- PHYX048C	5
&- PHYX049C	5

FOR ALL MAJORS: Students are strongly encouraged to select required lower division electives that will enhance their general education coursework and that will support their intended baccalaureate degree program. Students should consult with an academic advisor in their major degree area.

Program: Biological & Physical Sciences Interdisciplinary
 Studies
 Mathematics and Physics
Offered At: UWF

CIP: 30.0101
Track: 15/16
Program Length: 120 Cr. Hrs.

(UWF Tracks 1-15, USF Track 16)
 REVISED 5/27/09
 Technical revisions 7/10/2018
 Technical 6/17/2019

LOWER LEVEL COURSES

	Cr. Hrs.
CHMX045/X045L	4
or- CHMX045C	4
&- Select from the Following:	
or- CHMX046C	4
or- Take both courses:	
&- CHMX046/X046L	4
&- MACX311	4
&- MACX312	4
&-	
PHYX048/X048L	
&- PHYX049/X049L	
or- PHYX053C	4
&- PHYX054C	4
or- PHYX053/X053L	4
&- PHYX054/X054L	4
or- Take both courses:	
&- PHYX048C	5
&- PHYX049C	5
&- MACX313	4

FOR ALL MAJORS: Students are strongly encouraged to select required lower division electives that will enhance their general education coursework and that will support their intended baccalaureate degree program. Students should consult with an academic advisor in their major degree area.

Program:	Biological & Physical Sciences Interdisciplinary Studies	CIP:	30.0101
	Interdisciplinary Natural Sciences	Track:	16/16
Offered At:	FIU, USF	Program Length:	120 Cr. Hrs.
	NCF		124

(UWF Tracks 1-15, USF Track 16)
 REVIEWED - NO CHANGE 5/27/09
 Institution added 10/15/2015
 Technical revisions 7/3/2018
 Technical 10/2/2019

LOWER LEVEL COURSES

There are no specified common prerequisites for this major. All Florida College System students are encouraged to complete the Associate degree. Students should consult with an academic advisor in their major degree area at the intended transfer institution.

Program: Biological/Biosystems Engineering **CIP:** 14.4501
Track: 1
Offered At: UF **Program Length:** 127 Cr. Hrs.

New CIP 10/24/2012. Transferred from 14.0301.
 Corrected course listing 10/23/2013
 Technical 12/12/2018

LOWER LEVEL COURSES

	Cr. Hrs.
Select from the following or- MACX311 or- MACX281 &- Select from the following or- MACX312 or- MACX282 &- Select from the following or- MAPX302 or- MAPX305 &- Select from the following or- CHMX045/X045L or- CHMX045C or- Take both courses &- CHSX440/X440L &- Select from the following or- PHYX048/X048L or- PHYX048C &- Select from the following or- PHYX049C or- Take both courses &- PHYX044 &- PHYX049L or- Take both courses: &- PHYX049/X049L &- CHMX046	4 4 4 4 3 3 4 4 4 4 4 4 3 1 5 3

FOR ALL MAJORS: Students are strongly encouraged to select required lower division electives that will enhance their general education coursework and that will support their intended baccalaureate degree program. Students should consult with an academic advisor in their major degree area.

Program:	<u>Biology, General</u>	CIP:	<u>26.0101</u>
		Track:	<u>1/4</u>
Offered At:	<u>FAMU, FAU, FGCU, FIU, FSU, IRSC, MDC, SPC, UCF, UF, UNF*, USF, USFSM, USFSP, UWF</u>	Program Length:	<u>120 Cr. Hrs.</u>

REVISED 9/1/11
 Revised 10/24/2012
 Revised May 2015
 REVISED 10/28/15
 Technical revision 7/6/2018
 Technical change 10/24/2018; 12/12/2018, 12/28/2018
 Revised 4/8/2019 to reflect the same curriculum at USF on all campuses.
 Technical 6/19/2019
 Technical 9/23/2019, 9/25/2019

LOWER LEVEL COURSES

	Cr. Hrs.	
_____ BSCX010/X010L	4	Biology I w/ Lab
or- BSCX010C	4	
or- BSCX040C		
&_____ BSCX011/X011L	4	Biology II w/ Lab
or- BSCX011C	4	
or- ZOOX010/X010L	4	
or- BOTX010/X010L	4	
or- BSCX041C		
or- ZOOX010C ⁽¹⁾		
or- BOTX010C ⁽¹⁾		
&_____ CHMX045/X045L	4	Chemistry I w/ Lab
or- CHMX045C	4	Chemistry I w/ Lab
or- CHMX040	3	
&- CHMX041	1	
&_____ CHMX046/X046L	4	Chemistry II w/ Lab
or- CHMX046C	4	Chemistry II w/ Lab
&_____ CHMX210/X210L ⁽²⁾	4	
&- CHMX211/X211L ⁽³⁾	4	
or- CHMX210C	4	
&- CHMX211C ⁽³⁾	4	
or- PHYX053		
&- PHYX054		
&- PHYX053L		
&- PHYX048L		
or- PHYX048/X048L ⁽³⁾	4	
&- PHYX049/X049L ⁽³⁾	4	
or- Take all of the following		
&- PHYX053		
&- PHYX048L		
&- PHYX054		
&- PHYX049L		
&_____ MACX311	4	
or- MACX233	4	
or- MACX253	4	
or- MACX281	4	
or- MACX241	4	
&_____ MACX312	4	
or- MACX282	4	
or- MACX234	4	
or- STAX023	3	
or- STAX024	4	
or- STAX321	4	

FOR ALL MAJORS: Students are strongly encouraged to select required lower division electives that will enhance their general education coursework and that will support their intended baccalaureate degree program. Students should consult with an academic advisor in their major degree area.

-
- (1) ONLY UWF accepts this alternative common prerequisite choice.
 (2) UWF requires both CHMX210/X210L and PHYX053/X053L & PHYX054/X054L.
 (3) UWF DOES NOT accept this course as a common prerequisite.
 * Limited Access.

Program:	<u>Biology, General</u>	CIP:	<u>26.0101</u>
	<u>FSU-Teach</u>	Track:	<u>2/4</u>
Offered At:	<u>FSU</u>	Program Length:	<u>120 Cr. Hrs.</u>

NEW 5/27/09
 REVISED 10/28/2009
 Revised 10/24/2012
 Technical 12/12/2018

LOWER LEVEL COURSES

	Cr. Hrs.	
_____ BSCX010/X010L	4	Biology I w/ Lab
or- BSCX010C	4	
or- BSCX040C		
&_____ BSCX011/X011L	4	Biology II w/ Lab
or- BSCX011C	4	
or- BSCX041C		
&_____ CHMX045/X045L	4	Chemistry I w/ Lab
or- CHMX045C	4	Chemistry I w/ Lab
or- CHMX040	3	
&- CHMX041	1	
&_____ CHMX046/X046L	4	Chemistry II w/ Lab
or- CHMX046C	4	Chemistry II w/ Lab
&_____ CHMX210/X210L	4	Organic Chemistry I w/ Lab
&- CHMX211/X211L	4	
or- CHMX210C	4	
&- CHMX211C	4	
or- PHYX053/X053L	4	
&- PHYX054/X054L	4	
or- PHYX048/X048L	4	
&- PHYX049/X049L	4	
&_____ MACX311	4	
or- MACX233	4	
or- MACX253	4	
or- MACX281	4	
or- MACX241	4	
&_____ MACX312	4	
or- MACX282	4	
or- MACX234	4	
or- STAX023	3	
or- STAX024	4	
or- STAX321	4	
&- SMTX043 ⁽¹⁾	1	
&- SMTX053 ⁽¹⁾	1	

FOR ALL MAJORS: Students are strongly encouraged to select required lower division electives that will enhance their general education coursework and that will support their intended baccalaureate degree program. Students should consult with an academic advisor in their major degree area.

(1) Please see the university for details. Transfer students will be able to take SMTX043 and SMTX053 courses while enrolled in upper division.

Program:	<u>Biology, General (Track 3 of 3) UWF-Teach</u>	CIP:	<u>26.0101</u>
	<u>UWF-Teach Biology</u>	Track:	<u>3/4</u>
Offered At:	<u>UWF</u>	Program Length:	<u>120 Cr. Hrs.</u>

Approved April 2016.
 Technical revision 7/3/2018
 Technical revision 7/6/2018
 Technical 12/12/2018

LOWER LEVEL COURSES

	Cr. Hrs.
EDGX041	3
&- Select from the following	
Or- BSCX010C	
Or- Take both courses:	
&- BSCX010/X010L	4
Or- BSCX040C ⁽⁴⁾	
&- Select from the following:	
Or- BSCX011C	4
Or- Take both courses:	
&- BSCX011	3
&- BSCX011	1
Or- BSCX041C	
&- Select from the following:	
Or- CHMX045C	
Or- Take both	
&- CHMX040	
&- CHMX041	
Or- Take both courses:	
&- CHMX045/X045L	4
&- Select from the following:	
Or- CHMX046C	4
Or- Take both courses:	
&- CHMX046/X046L	4
&- Select from the following:	
Or- Take all courses:	
&- CHMX210/X210L	4
&- CHMX211/X211L	4
Or- Take Both:	
&- CHMX210C	
&- CHMX211C	
Or- Take all courses:	
&- PHYX053/X053L	5
&- PHYX054/X054L	5
Or- Take all courses:	
&- PHYX048/X048L	4
&- PHYX049/X049L	5
&- Select One from the following:	
Or- MACX311	4
Or- MACX233	
Or- MACX253	
Or- MACX281	
Or- MACX241	
&- Select One from the Following:	
Or- MACX312	
Or- MACX282	
Or- MACX234	
Or- STAX023	
Or- STAX024	
Or- STAX321	

Program: Biomedical Sciences **CIP:** 26.0102
Track: 1
Offered At: FSCJ, UCF, USF **Program Length:** 120 Cr. Hrs.

REVISED 10/22/08
 In 2011, changed prerequisites back to original prerequisites.
 REVISED 3/2/11
 Technical correction/addition March 2012
 Added institution May 2017.
 Technical revision 7/6/2018
 Technical 12/12/2018

LOWER LEVEL COURSES

	Cr. Hrs.
— BSCX010C	4
or— Take both courses:	
&— BSCX010/X010L	4
&— BSCX011C	4
or— Take both courses:	
&— BSCX011/X011L	4
&— CHMX045C	4
or— Take both courses:	
&— CHMX045/X045L	4
&— CHMX046C	4
or— Take both courses:	
&— CHMX046/X046L	4
&— CHMX210C	4
or— Take both courses:	
&— CHMX210/X210L	4
&— CHMX211C	4
or— Take both courses:	
&— CHMX211/X211L	4
&— Take all courses	
&— PHYX053/X053L	5
&— PHYX054/X054L	5
or— Take all courses	
&— PHYX053C	4
&— PHYX054C	
or— Take all courses	
&— PHYX048/X048L	8
&— PHYX049/X049L	5
or— Take all courses	
&— BSCX093/X093L	5
&— BSCX094/X094L	5
or— Take all courses	
&— BSCX093C	4
&— BSCX094C	4
&— MACX241	4
or— MACX281	
or— MACX311	4
&— MACX242	3
or— MACX282	
or— MACX312	4
or— STAX023	3
or— STAX024	3

FOR ALL MAJORS: Students are strongly encouraged to select required lower division electives that will enhance their general education coursework and that will support their intended baccalaureate degree program. Students should consult with an academic advisor in their major degree area.

Program:	Biomedical/Bioengineering	CIP:	14.0501
		Track:	1
Offered At:	USF*	Program Length:	120 Cr. Hrs.
	FIU		128
	FGCU		129
	FAMU, FSU		131
	UF*		132

Revised 9/1/2011
 Technical course addition 10/23/2013
 REVISED 10/28/15
 Technical change May 2017.
 Technical revision 7/6/2018
 Revised 10/24/2018
 Technical 12/20/2018
 Technical change 6/13/2019
 Technical 6/19/2019
 Technical 9/23/2019
 Technical 9/24/2019

LOWER LEVEL COURSES

	Cr. Hrs.	
MACX311	4	Calculus I with Analytical Geometry
&- MACX312	4	Calculus II with Analytical Geometry
&- MACX313	4	Calculus III with Analytical Geometry
or- MACX281	4	
&- MACX282	4	
&- MACX283	4	
&- Select from the following:		
or- MAPX302	3	Differential Equations
or- MAPX305	3	Different Equations for Engineers
or- ECHX301	3	Intro to Process Analysis and Design
&- Natural Sciences:		
&- CHMX045C	4	Chemistry I & lab
or- Take both courses:		
&- CHMX045/X045L	4	
or- Take both courses:		
&- CHMX095/X095L	4	
or- CHSX440C	4	
or- Take both courses:		
&- CHSX440/X440L		
&- PHYX048C	5	
or- PHYX048	4	
&- Select one:		
or- PHYX048L	1	
or- PHYX064L	1	
&- PHYX049C	5	Physics Laboratory II
or- Take all of the following:		
&- PHYX049	4	
&- Select from the following:		
or- PHYX049L	1	
or- PHYX064L	1	
&- Take both courses:		
&- CHMX046/X046L	4	
or- Take both courses:		
&- CHMX096/X096L	4	
or- CHMX046C	4	
&- BSCX010C	1	General Biology I and Laboratory
or- Take the following:		
&- BSCX010	3	
&- Select from the following:		
or- BSCX010L	1	
or- BSCX044L	1	
&- CHMX210C	4	Organic Chemistry I with lab
or- Take both::		
&- CHMX210/X210L	3	

(1) UF requires CHMX217 or both CHMX210 and CHMX211.
 * Limited Access.

Program: Biotechnology **CIP:** 26.1201
Track: 1
Offered At: FGCU, SFC, UCF **Program Length:** 120 Cr. Hrs.

REVISED 10/22/08
 REVISED 5/22/13
 Technical change 8/23/2019

LOWER LEVEL COURSES

	Cr. Hrs.
PHYX053C	5
or- Take both courses:	
&- PHYX053/X053L	5
or- PHYX048/X048L	4
or- PHYX048C	
&- PHYX054C	5
or- Take both courses:	
&- PHYX054/X054L	5
or- PHYX049/X049L	4
or- PHYX049C	5
&- MACX311	4
or- MACX233	3
or- MACX253	3
or- MACX281	3
&- STAX023	3
or- STAX122	3
or- STAX014	3
or- STAX024	3
or- STAX321	3
&- Select from the following:	
or- BSCX010C	4
or- Take both courses:	
&- BSCX010/X010L	4
&- Select from the following:	
or- BSCX011C	4
or- Take both courses:	
&- BSCX011/X011L	4
&- Select from the Following:	
or- CHMX045C	4
or- Take both course:	
&- CHMX045/X045L	4
&- Select from the following:	
or- CHMX046C	4
or- Take both course:	
&- CHMX046/X046L	4
&- Select from the following:	
or- CHMX210C	4
or- Take both courses:	
&- CHMX210/X210L	4
&- Select from the following:	
or- CHMX211C	4
or- Take both courses:	
&- CHMX211/X211L	4

FOR ALL MAJORS: Students are strongly encouraged to select required lower division electives that will enhance their general education coursework and that will support their intended baccalaureate degree program. Students should consult with an academic advisor in their major degree area.

Program: Botany, General

CIP: 26.0301

Offered At: UF

Track: 1

Program Length: 120 Cr. Hrs.

REVISED 10/22/08
Technical 12/12/2018

LOWER LEVEL COURSES

	Cr. Hrs.
_____ BSCX010/X010L	4
or- BSCX010C	4
or- BOTX010C	4
or- BSCX040C	
&_____ BSCX011/X011L	4
or- BSCX011C	4
or- BSCX041C	
&_____ CHMX045/X045L	4
or- CHMX045C	4
or- CHMX040	3
&- CHMX041	1
&_____ CHMX046/X046L	4
or- CHMX046C	4
&_____ MACX147	4
or- MACX114	3
&- MACX140	3
&_____ MACX311	4
or- MACX233	4
or- MACX253	4
or- MACX281	4
or- MACX241	4

FOR ALL MAJORS: Students are strongly encouraged to select required lower division electives that will enhance their general education coursework and that will support their intended baccalaureate degree program. Students should consult with an academic advisor in their major degree area.

Please note that students must achieve a 'C' or better in all science courses.

Program: Business Administration & Management

Offered At: CC, FAMU, FAU, FGCU, FIU*, FSCJ, FSU*, IRSC, SPC, UCF, UF, UNF, USF*, UWF

CIP: 52.0201

Track: 1

Program Length: 120 Cr. Hrs.

REVISED 5/27/09
 Revised 2/24/2010
 Added institutions 3/2/2011
 Revised 5/25/2011
 REVISED 4/18/12
 Added campus 10/24/2012
 Added limited access 5/22/2013
 Limited Access 10/23/2013
 Technical revision 7/17/2018
 Technical 12/11/2018; 9/25/19
 Revised 4/8/19 to reflect the same curriculum at USF on all campuses.

LOWER LEVEL COURSES

	Cr. Hrs.
ACGX021	3
or- ACGX022	3
or- ACGX001	3
&- ACGX011	3
&- ACGX071	
or- ACGX301	
&- CGSX100 (2)	
or- CGSX100C	
or- CGSX570	
or- CGSX060	
or- CGSX531	
or- CGSX000	
or- ISMX000	
or- CGSX518	3
&- ECOX013	3
&- ECOX023	3
&- STAX023 (3)	
or- STAX122	
or- QMBX100	
&- MACX233	

(Please see notes in the following page)

(Continues from previous page)

FOR ALL MAJORS: Students are strongly encouraged to select required lower division electives that will enhance their general education coursework and that will support their intended baccalaureate degree program. Students should consult with an academic advisor in their major degree area.

- (1) or demonstrated competency. .
- (2) At FAMU, MANX543 is an acceptable substitute for CGSX100.
- (3) At UCF, ECOX401 is an acceptable substitute for STAX023 and MACX233.
- * Limited Access.

Program: Business Managerial Economics

CIP: 52.0601

Track: 1

Offered At: UCF, UNF, USF*, UWF

Program Length: 120 Cr. Hrs.

REVISED 10/22/08

REVISED 10/28/2009

Revised 2/24/2010

Deleted university 5/25/2011

Added campus 10/24/2012

University added 4/11/2013

Technical revision 7/24/2018

Technical 12/11/2018; 9/25/19

Revised 4/8/19 to reflect that the curriculum is taught on the USF St. Petersburg campus.

LOWER LEVEL COURSES

	Cr. Hrs.	
ACGX021	3	Principles of Financial Accounting
or- ACGX022	3	
or- ACGX001	3	
&- ACGX011	3	
&- ACGX071		
or- ACGX301		
&- CGSX100 ⁽¹⁾		
or- CGSX100C		
or- CGSX570		
or- CGSX060		
or- CGSX531		
or- CGSX000		
or- ISMX000		
&- ECOX013	3	
&- ECOX023	3	
&- STAX023 ⁽²⁾		
or- STAX122		
or- QMBX100		
&- MACX233 ⁽²⁾		

FOR ALL MAJORS: Students are strongly encouraged to select required lower division electives that will enhance their general education coursework and that will support their intended baccalaureate degree program. Students should consult with an academic advisor in their major degree area.

(1) or demonstrated competency. At FAMU, MANX543 is an acceptable substitute for CGSX100.

(2) At UCF, ECOX401 is an acceptable substitute for STAX023 and MACX233.

* Limited Access.

Program: Business Marketing Management

CIP: 52.1401

Track: 1

Offered At: FAU, FGCU, FIU*, FSU*, UCF, UNF, USF*, UWF

Program Length: 120 Cr. Hrs.

Revised 5/25/2011

Added campus 10/24/2012

Added campus 4/11/2013

Added limited access 5/22/2013

REVISED 10/28/15

Technical 12/11/2018; 9/25/2019

Revised 4/8/2019 to reflect the same curriculum at USF on all campuses.

LOWER LEVEL COURSES

	Cr. Hrs.	
ACGX021	3	Principles of Financial Accounting
or- ACGX022	3	
or- ACGX001	3	
&- ACGX011	3	
&- ACGX071	2-3	
or- ACGX301	2-3	
&- CGSX100 ⁽¹⁾	3-4	
or- CGSX100C	3-4	
or- CGSX570	3-4	
or- CGSX060	3-4	
or- CGSX531	3-4	
or- CGSX000	3-4	
or- ISMX000	3-4	
or- CGSX518	3	
&- ECOX013	3	
&- ECOX023	3	
&- STAX023 ⁽²⁾	3-4	
or- STAX122	3-4	
or- QMBX100	3-4	
&- MACX233		

FOR ALL MAJORS: Students are strongly encouraged to select required lower division electives that will enhance their general education coursework and that will support their intended baccalaureate degree program. Students should consult with an academic advisor in their major degree area.

(1) or demonstrated competency

(2) At UCF, ECOX401 is an acceptable substitute for STAX023 and MACX233.

* Limited Access.

Program: Business, General **CIP:** 52.0101
Track: 1/2
Offered At: FSU*, UCF, USF*, UWF **Program Length:** 120 Cr. Hrs.

REVISED 10/22/08
 Revised 2011.
 Added university 10/24/2012
 Universities added 4/11/2013
 Limited Access 10/23/2013
 Technical 12/11/2018
 Revised 4/8/19 to reflect the same curriculum at USF on all campuses.
 Technical 9/25/19

LOWER LEVEL COURSES

	Cr. Hrs.	
ACGX021	3	Principles of Financial Accounting
or- ACGX022	3	
or- ACGX001	3	
&- ACGX011	3	
&- ACGX071	2-3	
or- ACGX301	2-3	
&- CGSX100 ⁽¹⁾	3	Computer Fundamentals for Business
or- CGSX100C ⁽¹⁾	4	Computer Fundamentals for Business
or- CGSX570	3	
or- CGSX060	3	
or- CGSX531	3	
or- CGSX000	3	
or- ISMX000	3	
or- CGSX518	3	
&- ECOX013	3	
&- ECOX023	3	
&- STAX023 ⁽²⁾	3-4	
or- STAX122	3-4	
or- QMBX100	3-4	
&- MACX233 ⁽²⁾		

FOR ALL MAJORS: Students are strongly encouraged to select required lower division electives that will enhance their general education coursework and that will support their intended baccalaureate degree program. Students should consult with an academic advisor in their major degree area.

-
- (1) or demonstrated competency
 (2) At UCF, ECOX401 is an acceptable substitute for STAX023 and MACX233.
 NOTE: This area includes a BA in Business Administration at UCF
 * Limited Access.

Program:	<u>Business Administration</u>	CIP:	<u>52.0101</u>
	<u>(B.A. in Business Administration)</u>	Track:	<u>2/2</u>
Offered At:	<u>UCF</u>	Program Length:	<u>120 Cr. Hrs.</u>

REVISED 2/28/08
 Technical change 7/17/2018
 Technical 12/11/2018
 Technical 9/24/2019

LOWER LEVEL COURSES

	Cr. Hrs.	
ACGX021	3	Principles of Financial Accounting
or- ACGX022	3	
or- ACGX001	3	
&- ACGX011	3	
&- ACGX071	3	Principles of Managerial Accounting
&- CGSX100	3	Computer Fundamentals for Business
or- CGSX100C	4	Computer Fundamentals for Business
or- CGSX570		
or- CGSX060		
or- CGSX100		
or- CGSX531		
or- CGSX000		
&- ECOX013	3	Macroeconomics
&- ECOX023	3	Microeconomics
&- Select from the following:		
or- ECOX401		
or- Take both courses		
&- STAX023		
&- MACX233		
or- Take both courses:		
&- STAX122		
&- MACX233		
or- Take both courses:		
&- QMBX100		
&- MACX233		

FOR ALL MAJORS: Students are strongly encouraged to select required lower division electives that will enhance their general education coursework and that will support their intended baccalaureate degree program. Students should consult with an academic advisor in their major degree area.

-
- (1) Demonstrated competency or one of the listed equivalent courses.

Program:	<u>Cardiopulmonary Science</u>	CIP:	<u>51.0908</u>
		Track:	<u>1</u>
Offered At:	<u>FSWSC</u>	Program Length:	<u>120 Cr. Hrs.</u>
	<u>FAMU</u>		<u>127</u>
	<u>VC*</u>		<u>128</u>

Revised Oct 2010
 FSWSC program is BAS in Cardiopulmonary Science.
 REVISED 10/23/13
 Technical course correction 8/4/14
 Revised October 2015
 Revised February 2017
 Technical revision 7/5/2018
 Technical 12/11/2018; 12/28/2018
 Technical 6/18/2019

LOWER LEVEL COURSES

	Cr. Hrs.
_____ BSCX005/X005L	4
or- BSCX005C	4
or- BSCX010/X010L	4
or- BSCX010C	4
or- Take all of the following	
&- CHMXXXX/XXXXL	4
or- CHMXXXXC	4
&- _____ BSCX093/X093L	4
or- BSCX093C	4
or- ZOOX733C	4
or- Take all of the following	
&- BSCX085/X085L	4
or- BSCX085C	4
&- _____ BSCX086C	4
or- BSCX086/X086L	4
or- BSCX094/X094L	4
or- BSCX094C	
&- CGSX060 ⁽¹⁾	3
&- _____ MCBX010/X010L	4
or- MCBX010C	4
or- MCBX020/X020L	4
or- PHAX751	4
or- MCBX004C	4
&- _____ PHYX007/X007L ^(1,1)	4
or- PHYX007C	4
or- PHYX053/X053L	4
or- PHYX053C	4
&- _____ SPCX050 ⁽²⁾	3
or- SPCX608 ⁽²⁾	3
or- SPCX023 ⁽²⁾	3

FOR ALL MAJORS: Students are strongly encouraged to select required lower division electives that will enhance their general education coursework and that will support their intended baccalaureate degree program. Students should consult with an academic advisor in their major degree area.

 NOTE: A grade of 'C' or higher is required for all common prerequisite courses.

(1) Course not required at FSWSC and VC.

(2) Course Not Required at FSWSC.

* Limited Access.

Program:	<u>Chemical Engineering</u>	CIP:	<u>14.0701</u>
		Track:	<u>1</u>
Offered At:	<u>FAMU, FSU, USF</u>	Program Length:	<u>131 Cr. Hrs.</u>
	<u>UF</u>		<u>134</u>

REVISED 2/25/09
 REVISED 10/28/2009
 Technical course revision 10/23/2013
 Technical revision 7/3/2018
 Technical 6/19/2019

LOWER LEVEL COURSES

	Cr. Hrs.
MACX311	4
or- MACX281	4
& MACX312	4
or- MACX282	4
& MACX313	4
or- MACX283	4
& MAPX302	3
or- MAPX305	3
& CHMX045/X045L	4
or- CHMX045C	4
or- CHSX440/X440L	4
& CHMX046/X046L	4
or- CHMX046C	4
& PHYX048/X048L	4
or- PHYX048C	4
& PHYX049/X049L	4
or- PHYX049C	4
or- PHYX044	4
&- PHYX049L	4

FOR ALL MAJORS: Students are strongly encouraged to select required lower division electives that will enhance their general education coursework and that will support their intended baccalaureate degree program. Students should consult with an academic advisor in their major degree area.

Program:	<u>Chemical Sciences</u>	CIP:	<u>40.0599</u>
	<u>Chemical Sciences</u>	Track:	<u>1/2</u>
Offered At:	<u>FSU</u>	Program Length:	<u>120 Cr. Hrs.</u>

REVISED 5/27/09
 Technical 6/18/2019

LOWER LEVEL COURSES

	Cr. Hrs.
_____ CHMX045/X045L	4
_____ or _____ CHMX040	3
_____ & _____ CHMX041	3
_____ or _____ CHMX045C	4
_____ & _____ CHMX046/X046L	4
_____ or _____ CHMX046C	4
_____ & _____ MACX311	4
_____ or _____ MACX281	4
_____ & _____ CHMX210/X210L	
_____ & _____ CHMX211/X211L	
_____ or _____ CHMX210C	4
_____ & _____ CHMX211C	4

FOR ALL MAJORS: Students are strongly encouraged to select required lower division electives that will enhance their general education coursework and that will support their intended baccalaureate degree program. Students should consult with an academic advisor in their major degree area.

Program:	<u>Chemical Sciences</u>	CIP:	<u>40.0599</u>
	<u>FSU-Teach</u>	Track:	<u>2/2</u>
Offered At:	<u>FSU</u>	Program Length:	<u>120 Cr. Hrs.</u>

New 5/27/09

Technical 6/18/2019

LOWER LEVEL COURSES

	Cr. Hrs.
CHMX045/X045L	4
or- CHMX040	3
&- CHMX041	3
or- CHMX045C	4
&- CHMX046/X046L	4
or- CHMX046C	4
&- MACX311	4
or- MACX281	4
&- CHMX210/X210L	
&- CHMX211/X211L	
or- CHMX210C	4
&- CHMX211C	4
&- SMTX043 ⁽¹⁾	1
&- SMTX053 ⁽¹⁾	1

FOR ALL MAJORS: Students are strongly encouraged to select required lower division electives that will enhance their general education coursework and that will support their intended baccalaureate degree program. Students should consult with an academic advisor in their major degree area.

- (1) Transfer students will be able to take STMX043 and STMX053 when admitted to upper division.

Program: Chemistry

Offered At: FAMU, FAU, FGCU, FIU, FSU, UCF, UF, UNF, USF, UWF

CIP: 40.0501

Track: 1/3

Program Length: 120 Cr. Hrs.

Revised 5/27/09
 Revised 2/24/2010
 Technical 6/18/2019

LOWER LEVEL COURSES

	Cr. Hrs.
CHMX045/X045L	4
or- CHMX040	3
&- CHMX041	3
or- CHMX045C	4
&- CHMX046/X046L	4
or- CHMX046C	4
&- MACX311	4
or- MACX281	3
&- MACX312	4
or- MACX282	3
&- CHMX210/X210L	
&- CHMX211/X211L	
or- CHMX210C	4
&- CHMX211C	4
&- PHYX048/X048L ⁽¹⁾	4
&- PHYX049/X049L ⁽¹⁾	4
or- PHYX048C ⁽¹⁾	4
&- PHYX049C ⁽¹⁾	4
or- PHYX053/X053L ⁽²⁾	4
&- PHYX054/X054L ⁽²⁾	4
or- PHYX053C ⁽²⁾	4
&- PHYX054C ⁽²⁾	4

FOR ALL MAJORS: Students are strongly encouraged to select required lower division electives that will enhance their general education coursework and that will support their intended baccalaureate degree program. Students should consult with an academic advisor in their major degree area.

-
- (1) The PHYX048/PHYX049 sequence is required for the Bachelor in Science degree. It is an option for the Bachelor in Arts degree.
 - (2) The PHYX053/PHYX054 sequence is not accepted for the Bachelor in Science degree.

Program:	<u>Chemistry</u>	CIP:	<u>40.0501</u>
	<u>Chemistry Teacher Education</u>	Track:	<u>2/3</u>
Offered At:	<u>FIU</u>	Program Length:	<u>120 Cr. Hrs.</u>

NEW 2/24/2010
 Technical 6/18/2019

LOWER LEVEL COURSES

	Cr. Hrs.
_____ CHMX045/X045L	4
_____ or _____ CHMX040	3
_____ &_____ CHMX041	3
_____ or _____ CHMX045C	4
&_____ CHMX046/X046L	4
_____ or _____ CHMX046C	4
&_____ MACX311	4
_____ or _____ MACX281	3
&_____ MACX312	4
_____ or _____ MACX282	3
&_____ CHMX210/X210L	
_____ &_____ CHMX211/X211L	
_____ or _____ CHMX210C	4
_____ &_____ CHMX211C	4
&_____ PHYX048/X048L ⁽¹⁾	4
_____ &_____ PHYX049/X049L ⁽¹⁾	4
_____ or _____ PHYX048C ⁽¹⁾	4
_____ &_____ PHYX049C ⁽¹⁾	4
_____ or _____ PHYX053/X053L ⁽²⁾	4
_____ &_____ PHYX054/X054L ⁽²⁾	4
_____ or _____ PHYX053C ⁽²⁾	4
_____ &_____ PHYX054C ⁽²⁾	4

FOR ALL MAJORS: Students are strongly encouraged to select required lower division electives that will enhance their general education coursework and that will support their intended baccalaureate degree program. Students should consult with an academic advisor in their major degree area.

-
- (1) The PHYX048/PHYX049 sequence is required for the Bachelor in Science degree. It is an option for the Bachelor in Arts degree.
 - (2) The PHYX053/PHYX054 sequence is not accepted for the Bachelor in Science degree.

Program:	<u>Chemistry</u>	CIP:	<u>40.0501</u>
	<u>UWF-Teach</u>	Track:	<u>3/3</u>
Offered At:	<u>UWF</u>	Program Length:	<u>120 Cr. Hrs.</u>

New Track April 2016
 Technical 12/11/2018
 Technical 6/18/2019

LOWER LEVEL COURSES

	Cr. Hrs.
CHMX045/X045L	4
or- CHMX040	3
&- CHMX041	3
or- CHMX045C	4
&- CHMX046/X046L	4
or- CHMX046C	4
&- MACX311	4
or- MACX281	3
&- MACX312	4
or- MACX282	3
&- CHMX210/X210L	
&- CHMX211/X211L	
or- CHMX210C	4
&- CHMX211C	4
&- PHYX048/X048L ⁽¹⁾	4
&- PHYX049/X049L ⁽¹⁾	4
or- PHYX048C ⁽¹⁾	4
&- PHYX049C ⁽¹⁾	4
or- PHYX053/X053L	4
&- PHYX054/X054L	4
or- PHYX053C	4
&- PHYX054C	4
&- EDGX041	

FOR ALL MAJORS: Students are strongly encouraged to select required lower division electives that will enhance their general education coursework and that will support their intended baccalaureate degree program. Students should consult with an academic advisor in their major degree area.

 (1) The PHYX048/PHYX049 sequence is required for the Bachelor in Science degree.

Program:	<u>Civil Engineering</u>	CIP:	<u>14.0801</u>
		Track:	<u>1</u>
Offered At:	<u>FAMU, FAU, FGCU, FSU, UCF, UNF</u>	Program Length:	<u>128 Cr. Hrs.</u>
	<u>FIU</u>		<u>130</u>
	<u>UF, USF</u>		<u>131</u>

REVISED 2/25/09
 Technical course revision 10/23/2013
 REVISED May 2015
 Technical revision 7/3/2018

LOWER LEVEL COURSES

	Cr. Hrs.
MACX311	4
or- MACX281	4
& MACX312	4
or- MACX282	4
& MACX313	4
or- MACX283	4
& MAPX302	3
or- MAPX305	3
& CHMX045/X045L	4
or- CHMX045C	4
or- CHSX440/X440L	
& PHYX048/X048L	4
or- PHYX048C	4
or- PHYX041	3
&- PHYX048L	1
& PHYX049/X049L ⁽¹⁾	4
or- PHYX049C	4
or- PHYX044	
&- PHYX049L	
or- PHYX042	3
&- PHYX049L	1

FOR ALL MAJORS: Students are strongly encouraged to select required lower division electives that will enhance their general education coursework and that will support their intended baccalaureate degree program. Students should consult with an academic advisor in their major degree area.

(1) PHYX049L does not count toward the degree at FIU.

Program:	<u>Classics</u>	CIP:	<u>16.1200</u>
		Track:	<u>1</u>
Offered At:	<u>FSU, UF</u>	Program Length:	<u>120 Cr. Hrs.</u>

REVISED 5/27/09
 USF terminated fall 2018.

LOWER LEVEL COURSES

— LATX220 (1)	Cr. Hrs.
	4

FOR ALL MAJORS: Students are strongly encouraged to select required lower division electives that will enhance their general education coursework and that will support their intended baccalaureate degree program. Students should consult with an academic advisor in their major degree area.

- (1) Complete the course or equivalent or higher proficiency in a classics foreign language or demonstrate proficiency by testing.

NOTE: Native or heritage speakers or other persons with experience in a foreign language may qualify for a higher level language course, or exempt course(s) entirely. Please see the university to ensure proper advising and placement.

NOTE: Some institutions require a minimum grade in the language courses. Please check with the institution.

Program:	<u>Clinical Laboratory Sciences</u>	CIP:	<u>51.1005</u>
	<u>Medical Lab Technician to MLS</u>	Track:	<u>2/2</u>
Offered At:	<u>UWF</u>	Program Length:	<u>120 Cr. Hrs.</u>

New Track 6/14/2019

LOWER LEVEL COURSES

	Cr. Hrs.	
<ul style="list-style-type: none"> — Select from the following: or- BSCX085C or- Take both courses: <ul style="list-style-type: none"> &- BSCX085/X085L or- BSCX093C or- Take both courses: <ul style="list-style-type: none"> &- BSCX093/X093L or- PCBX703C or- Take both courses: <ul style="list-style-type: none"> &- PCBX703/X703L 	4	Anatomy & Physiology I and Lab
<ul style="list-style-type: none"> &- Select from the following: or- BSCX010C or- Take both courses: <ul style="list-style-type: none"> &- BSCX010/X010L or- BSCX086C or- Take both courses: <ul style="list-style-type: none"> &- BSCX085/X085L or- BSCX094C or- Take both courses: <ul style="list-style-type: none"> &- BSCX094/X094L or- PCBX011C or- Take both courses: <ul style="list-style-type: none"> &- PCBX011/X011L 	4	
<ul style="list-style-type: none"> &- Select from the following: or- CHMX045C or- Take both courses: <ul style="list-style-type: none"> &- CHMX045/X045L 		
<ul style="list-style-type: none"> &- Select from the following: or- CHMX046C or- Take both courses: <ul style="list-style-type: none"> &- CHMX046/X046L 		
<ul style="list-style-type: none"> &- Select from the following: or- CHMX210 or- Take both courses: <ul style="list-style-type: none"> &- CHMX210/X210L 		
<ul style="list-style-type: none"> &- Select one of the following courses: or- STAX014 or- STAX023 or- STAX024 or- STAX321 		
<ul style="list-style-type: none"> &- Select from the following: or- MCBX013C or- MCBX010C or- Take both courses: <ul style="list-style-type: none"> &- MCBX010/X010L or- MCBX020C or- Take both courses: <ul style="list-style-type: none"> &- MCBX020/X020L or- Take both courses: <ul style="list-style-type: none"> &- MCBX023/X023L or- MCBX023C 		

Program:	<u>Clinical Nutrition/Nutritionist.</u>	CIP:	<u>51.3102</u>
		Track:	<u>1</u>
Offered At:	<u>FSU</u>	Program Length:	<u>120 Cr. Hrs.</u>

FSU moved program into new CIP. May 2017.
 Technical revision 7/5/2018
 Technical change 718/2018
 Technical 12/11/2018; 12/12/2018
 Technical change 6/14/2019
 Technical 6/18/2019

LOWER LEVEL COURSES

	Cr. Hrs.
Select from the following:	
Or- HSCX549	3
Or- PCBX702	3
Or- Take all four courses:	
&- BSCX085/X085L	4
&- BSCX086/X086L	4
Or- Take both courses:	
&- BSCX085C	
&- BSCX086C	
Or- Take both courses:	
&- BSCX093C	
&- BSCX094C	
Or- Take both courses:	
&- PETX322/X322L	
&- Select from the following:	
Or- Take all courses:	
&- CHMX210/X210L	4
&- CHMX211/X211L	4
Or- Take both courses:	
&- CHMX211	3
&- CHMX200L	1
&- Select from the following:	
Or- CHMX032	
Or- Take all four courses:	
&- CHMX045/X045L	4
&- CHMX046/X046L	4
&- Select from the following:	
Or- ECOX013	3
Or- ECOX023	
Or- ECOX000	
&- HUNX201	3
&- Select from the following:	
Or- MCBX020C	
Or- MCBX013C	
Or- Take both courses:	
&- MCBX004/X004L	4
Or- Take both courses:	
&- MCBX020/X020L	4
&- PSYX012	3
&- Take one of the following courses:	
Or- CGSX060	3
Or- CGSX061	3
&- MACX105	

FOR ALL MAJORS: Students are strongly encouraged to select required lower division electives that will enhance their general education coursework and that will support their intended baccalaureate degree program. Students should consult with an academic advisor in their major degree area.

Program: Coastal & Ocean Engineering

CIP: 14.2401

Track: 1

Offered At: FAU

Program Length: 136 Cr. Hrs.

REVISED 2/25/09

Technical course change 10/23/2013

Technical revision 7/3/2018

Technical revision 12/28/2018

Technical 6/19/2019

LOWER LEVEL COURSES

	Cr. Hrs.
MACX311	4
or- MACX281	4
& MACX312	4
or- MACX282	4
& MACX313	4
or- MACX283	4
& MAPX302	3
or- MAPX305	3
& CHMX045/X045L	4
or- CHMX045C	4
or- CHSX440/X440L	
& PHYX048/X048L	4
or- PHYX048C	4
& PHYX049/X049L	4
or- PHYX049C	4
or- PHYX044	
& PHYX049L	
& EGSX002	3
or- EGSX001	3
or- EGNX002C	3
or- EGNX002	3
& COPX334C	3
or- COPX220	3

FOR ALL MAJORS: Students are strongly encouraged to select required lower division electives that will enhance their general education coursework and that will support their intended baccalaureate degree program. Students should consult with an academic advisor in their major degree area.

Program: Commercial Music

CIP: 50.1003

Track: 1/1

Offered At: FAU

Program Length: 123 Cr. Hrs.

New 10/28/2009

Revision 11/26/2018

LOWER LEVEL COURSES

	Cr. Hrs.
├── MUTX111	3
│ └─ or ─┬── MUTX121	3
│ └─ & ┬── MUTX112	3
│ │ └─ or ─┬── MUTX122	3
│ │ └─ & ┬── MUTX116	3
│ │ │ └─ or ─┬── MUTX126	3
│ │ │ └─ & ┬── MUTX117	3
│ │ │ │ └─ or ─┬── MUTX127	3
│ └─ & ─ Select from the following options for 4 credits:	
│ │ └─ or ┬── MUTX241	1
│ │ │ └─ & ┬── MUTX242	1
│ │ │ │ └─ & ┬── MUTX246	1
│ │ │ │ │ └─ & ┬── MUTX247	1
│ │ │ └─ or ┬── MUTX221	1
│ │ │ │ └─ & ┬── MUTX222	1
│ │ │ │ │ └─ & ┬── MUTX226	1
│ │ │ │ │ │ └─ & ┬── MUTX227	1
│ │ │ └─ or ┬── MUTX271	1
│ │ │ │ └─ & ┬── MUTX272	1
│ │ │ │ │ └─ & ┬── MUTX276	1
│ │ │ │ │ │ └─ & ┬── MUTX277	1
│ └─ & ─ Take 4 semesters of the following coursework: ⁽¹⁾	
│ │ └─ & ─ MUNXXXX	4
│ └─ & ─ Take 2 semesters of the following coursework: ⁽¹⁾	
│ │ └─ & ─ MVxXX1X ⁽²⁾	2-4
│ └─ & ─ Take 2 semesters of the following coursework: ⁽¹⁾	
│ │ └─ & ─ MVxXX2X ⁽²⁾	2-4
│ └─ & ─ Repeat these courses up to 4 semesters in order to gain piano proficiency: ⁽³⁾	
│ │ └─ & ─ MVKX111	
│ │ └─ & ─ MVKX112	
│ │ └─ & ─ MVKX121	
│ │ └─ & ─ MVKX122	

(Please see notes in the following page)

FOR ALL MAJORS: Students are strongly encouraged to select required lower division electives that will enhance their general education coursework and that will support their intended baccalaureate degree program. Students should consult with an academic advisor in their major degree area.

- (1) Music program national accreditation requires minimum semesters of exposure in specified coursework.
- (2) DEFINITIONS:
MVxXX1X and MVxXX2X are defined as courses under one of the specified prefixes that constantly maintain the digit 1 or 2 (depending upon which course) while allowing 0-9 to replace each "X." The prefix varies depending upon the student's focus (i.e., Brass, Strings, Woodwinds, etc.) Prefix areas to choose from are MVB, MVH, MVJ, MVK, MVO, MVP, MVS, MVV, and MVW. Two examples of possible courses are MVB1011 or MVP1311. Examples for MVxXX2X are MVW2223 and MVK2222.
- (3) Or Secondary Piano Proficiency by examination.

Program:	Communication (Mass), Media Studies or Converged Communications	CIP:	09.0102
		Track:	1
Offered At:	FSCJ, UWF	Program Length:	120 Cr. Hrs.
	FIU*, USF*		124

REVISED 4/18/12
 New university 10/24/2012
 REVISED 10/28/15
 Added limited access 4/27/2016
 Deleted FGCU 2/28/2018
 Revised 4/8/2019 to reflect that same curriculum is offered at both the USF Tampa and USF St. Petersburg campus.
 Deleted UCF, UNF 5/2/2019
 Technical 9/25/2019

LOWER LEVEL COURSES

	Cr. Hrs.
— XXXXXXXX (1)	3
&— XXXXXXXX (1)	3
&— XXXXXXXX (1)	3
&— XXXXXXXX (1)	3
&— XXXXXXXX (1)	3
&— XXXXXXXX (1)	3

FOR ALL MAJORS: Students are strongly encouraged to select required lower division electives that will enhance their general education coursework and that will support their intended baccalaureate degree program. Students should consult with an academic advisor in their major degree area.

 (1) Course cannot include ENC or LIT prefix courses and must be beyond the 36 hours of general education requirements. Questions should be directed to the institution.

* Limited Access.

Program: Community Health **CIP:** 51.2208
Track: 1/2
Offered At: UF **Program Length:** 120 Cr. Hrs.

(UNF Community Health track in Health Science 51.0000)
 REVISED 5/27/09
 Deleted FGCU 2/28/2018.
 Technical 5/29/2019

LOWER LEVEL COURSES

	Cr. Hrs.
----- BSCX093C ⁽¹⁾	3
----- or- APKX100C	4
&----- BSCX094C ⁽²⁾	4
----- or- APKX105C	4
&----- CHMX045C ⁽³⁾	4
----- or- CHMX045/X045L ^(3,3)	4
&----- MCBX013C ⁽⁴⁾	4
----- or- MCBX000/X000L	4
&----- MACX105	3
----- or- MACX147 ⁽⁵⁾	3
&----- PSYX012	3
&----- STAXXXX	3
----- or- STAX023	3

FOR ALL MAJORS: Students are strongly encouraged to select required lower division electives that will enhance their general education coursework and that will support their intended baccalaureate degree program. Students should consult with an academic advisor in their major degree area.

-
- (1) Or any Human Anatomy and Physiology I and lab
 - (2) Or any Human Anatomy and Physiology II and lab
 - (3) CHM must be a General Chemistry
 - (4) Or any Microbiology and lab
 - (5) MACX147 is a prerequisite for CHMX045 for UF AND we believe this is an essential common prerequisite and foundation for other science-based courses.
- NOTE: A grade of C or better is required for all common prerequisites.

Program: Community Health - Community Health Promotion **CIP:** 51.2208
Track: 2/2
Offered At: UF **Program Length:** 120 Cr. Hrs.

New Track 6/14/2019

LOWER LEVEL COURSES

	Cr. Hrs.
PSYX012	3
&- Select from the following options:	
or- BSCX093C	4
or- Take both courses:	
&- BSCX093/X093L	
&- Select from the following options:	
or- BSCX094C	4
or- Take both courses:	
&- BSCX094/X094L	
&- Select from the following options:	
or- BSCX005C	4
or- Take both courses:	
&- BSCX005/X005L	
or- BSCX010C	
or- Take both courses:	
&- BSCX010/X010L	
&- Select from the following options:	
or- MACX105	3
or- MACX147	4
&- Select from the following:	
or- STAX023	3
or- STAXXXX (1)	3

(1) STA1000-2999

Program: Community Health Liaison **CIP:** 51.1504
Track: 1
Offered At: UWF **Program Length:** 120 Cr. Hrs.

REVISED 5/27/09
 REVISED 10/28/2009

LOWER LEVEL COURSES

	Cr. Hrs.	
— HSCX100	3	Personal Health
&— PSYX013	3	General Psychology
or— PSYX012	3	General Psychology
&— SYGX000	3	Intro to Sociology
&— SPCX017	3	
or— SPCX608		
&— HUNX201	3	
or— HSCX577	3	
&— STAXXXX	3	Statistics
&— BSCX093C	4	
&— BSCX094C	4	
or— BSCX085C	4	
&— BSCX086C	4	
or— APKX100C	4	
&— APKX105C	4	

FOR ALL MAJORS: Students are strongly encouraged to select required lower division electives that will enhance their general education coursework and that will support their intended baccalaureate degree program. Students should consult with an academic advisor in their major degree area.

Program: Computational Biology

CIP: 26.1104

Track: 1

Offered At: FSU

Program Length: 120 Cr. Hrs.

REVISED 5/27/09

New CIP 5/26/2010. Changed from 26.1103.

Corrected 5/4/2012

Technical 12/11/2018

Technical 6/17/2019

Technical 6/18/2019

LOWER LEVEL COURSES

	Cr. Hrs.
BSCX010	3
or- BSCX040C	3
& BSCX011	3
or- BSCX041C	3
& CHMX045/X045L	4
or- CHMX045C	4
or- CHMX040	3
& CHMX041	1
& CHMX046/X046L	4
or- CHMX046C	4
& PHYX048/X048L	4
or- PHYX053/X053L	4
& PHYX049/X049L	4
or- PHYX054/X054L	4
& MACX311	4
& MACX312	4

FOR ALL MAJORS: Students are strongly encouraged to select required lower division electives that will enhance their general education coursework and that will support their intended baccalaureate degree program. Students should consult with an academic advisor in their major degree area.

Program: Computational Science **CIP:** 30.3001
Track: 1
Offered At: FSU **Program Length:** 120 Cr. Hrs.

New 10/24/2012

Technical revision 7/19/2018

LOWER LEVEL COURSES

	Cr. Hrs.	
MACX311	4	Calculus I
&- MACX312	4	Calculus II
&- Select from the following		
or- ISCX313	3	
or- COPX014	3	Programming I
or- COPXXXX (1)		
&- Select from the following		
or- BSCXXXXC	4	
or- CHMXXXXC	4	
or- GLYXXXXC	4	
or- METXXXXC	4	
or- PHYXXXXC	4	

- (1) Introductory programming in C or C++, JAVA or equivalent language; or other approved programming course.

FOR ALL MAJORS: Students are strongly encouraged to select required lower division electives that will enhance their general education coursework and that will support their intended baccalaureate degree program. Students should consult with an academic advisor in their major degree area.

Program:	<u>Computer & Information Science</u>	CIP:	<u>11.0101</u>
	<u>Computer Science</u>	Track:	<u>1/4</u>
Offered At:	<u>FAMU, FAU, FIU, UCF, UF, UNF, USF, UWF</u>	Program Length:	<u>120 Cr. Hrs.</u>

REVISED 2/25/09

NOTE: At USF, these are the common prerequisites for Computer Science EN BCS. The USF Computer Information Systems EN EIF program is in CIP 11.0401 Track 1. The USF Computer Engineering EN ECP track is in 14.0901 Track 1.

Revised 10/28/09

Added course option 10/23/2013

LOWER LEVEL COURSES

	Cr. Hrs.	
— COPXXXX (1)	3	
&— Take one of the following:		
or— MACX311	4	Calculus I
or— MACX281		
&— Take one of the following:		
or— MACX312	4	Calculus II
or— MACX282		
&— ——— PHYX048/X048L	4	Physics I and Lab
or— PHYX048C	4	General Physics I w/ Lab
&— ——— PHYX049/X049L	4	Physics II and Lab
or— PHYX049C	4	General Physics II w/ Lab
&— XXXXXXXX (2)	6	

FOR ALL MAJORS: Students are strongly encouraged to select required lower division electives that will enhance their general education coursework and that will support their intended baccalaureate degree program. Students should consult with an academic advisor in their major degree area.

-
- (1) Intro Programming in C, C++, JAVA, or equivalent language. Choose programming language required by the university to which the student wishes to transfer.
 - (2) Science course for science majors.
Universities may have individual specific grade requirements for each prerequisite course. Consult the program for details.

Program: Computer & Information Science
Computer Science
Offered At: FSU*

CIP: 11.0101
Track: 2/4
Program Length: 120 Cr. Hrs.

REVISED 5/27/09
 This is the BS in computer science for FSU.
 Revised Oct 2010
 University deleted 10/24/2012.
 Technical revision 7/5/2018
 Technical revision 7/2/2019

LOWER LEVEL COURSES

	Cr. Hrs.
— COPXXXX (1)	3
&— XXXXXXX (2)	2-4
&— MACX311	4
&— MACX312	4
&—	
— PHYX048/X048L	4
&— PHYX049/X049L	4
Or— Take all of the following	
&— PHYX048C	4
&— PHYX049C	
Or— Take all of the following (3)	
&— BSCX010	3
&— BSCX011	3
&— CHMX045C	4
Or— Take all of the following: (3)	
&— BSCX010	3
&— BSCX011	3
&— CHMX045/X045L	4

(Please see notes in the following page)

FOR ALL MAJORS: Students are strongly encouraged to select required lower division electives that will enhance their general education coursework and that will support their intended baccalaureate degree program. Students should consult with an academic advisor in their major degree area.

- (1) Intro Programming in C, C++, JAVA, or equivalent language. Choose programming language required by the university to which the student wishes to transfer.
 - (2) Science course for science majors.
 - (3) The BSCX010/BSCX011/CHMX045C option is only available to FSU students seeking a BS in Computer Science. FSU students following this sequence who choose to complete both BSCX010L and BSCX011L will satisfy the 'Science for Science Majors' requirement. FGCU students must take one of the physics sequences.
 - (4) MACX140 is only a common prerequisite for the FSU BA program. All other FSU students are not required to take this course.
Universities may have individual specific grade requirements for each prerequisite course. Consult the program for details.
- * Limited Access.

Program:	<u>Computer & Information Science</u>	CIP:	<u>11.0101</u>
	<u>Information Systems</u>	Track:	<u>3/4</u>
Offered At:	<u>FAMU, UF, UWF</u>	Program Length:	<u>120 Cr. Hrs.</u>

REVISED 2/25/09
Deleted FIU February 2017.
Technical revision 7/5/2018
UNF moved to 11.0401 10/2/19

LOWER LEVEL COURSES

	Cr. Hrs.
— COPXXXX (1)	3
&— ACGX021	3
&— ACGX071	3
&— CGSX060	3
or— CGSX100	3
or— CGSX570	3
&— ECOX013	3
&— ECOX023	3
&— MACX233	3
&— STAX023	3
or— STAX122	3

FOR ALL MAJORS: Students are strongly encouraged to select required lower division electives that will enhance their general education coursework and that will support their intended baccalaureate degree program. Students should consult with an academic advisor in their major degree area.

-
- (1) High level programming language is required. Certain universities require two courses of high level programming language. Consult with the receiving university to determine the number of programming language courses and the preferred programming languages required.
- Universities may have individual specific grade requirements for each prerequisite course. Consult the program for details.

Program: Computer Science **CIP:** 11.0101
BA in Computer Science **Track:** 4/4
Offered At: FSU* **Program Length:** 120 Cr. Hrs.

New 10/27/10
Revised February 2017

LOWER LEVEL COURSES

	Cr. Hrs.	
— MACX311	4	Calculus I

* Limited Access.

Program:	<u>Computer Criminology</u>	CIP:	<u>43.0116</u>
		Track:	<u>1</u>
Offered At:	<u>FSU</u>	Program Length:	<u>120 Cr. Hrs.</u>

REVIEWED - NO CHANGE 5/27/09
 Changed CIP code Feb 2017

LOWER LEVEL COURSES

	Cr. Hrs.	
├─ COPXXXX	3	Computer Programming
├─ &─ MACX105	3	College Algebra
├─ &─ MACX140	3	Precalculus Algebra

FOR ALL MAJORS: Students are strongly encouraged to select required lower division electives that will enhance their general education coursework and that will support their intended baccalaureate degree program. Students should consult with an academic advisor in their major degree area.

Program:	<u>Computer Engineering</u>	CIP:	<u>14.0901</u>
	<u>Computer Engineering</u>	Track:	<u>1/3</u>
Offered At:	<u>FAMU, UF</u>	Program Length:	<u>126 Cr. Hrs.</u>
	<u>FAU, FIU, FSU, UCF, USF</u>		<u>128</u>
	<u>UWF</u>		<u>129</u>

REVISED 10/19/05

NOTE: At USF, these are the common prerequisites for Computer Engineering EN ECP. The USC Computer Science EN BCS common prerequisites are found in 11.0101 Track 1. The Computer Information Systems EN EIF common prerequisites for USF are in 11.0401 Track 1.

REVISED 10/28/2009

Revised 5/26/2010 to reflect previously approved changes.

Revised 10/23/2013 to add course mistakenly left off.

Technical 12/12/2018

LOWER LEVEL COURSES

	Cr. Hrs.	
— COPXXXX		Intro Programming in C, C++, JAVA or equivalent Language
&— MAPX302	3	Differential Equations
&— Select from the following:		
— or— MACX311	4	
— or— MACX281	4	
&— — MACX312	4	
— or— MACX282	4	
&— Select from the following:		
— or— MACX313	4	
— or— MACX283	4	
&— — CHMX045C	4	
— or— Take both courses:		
— &— CHMX045/X045L	4	
— or— CHMX440C	4	
&— Select from the following:		
— or— PHYX048C	5	
— or— Take both courses:		
— &— PHYX048/X048L	5	
&— Select from the following:		
— or— PHYX049C	5	
— or— Take both courses:		
— &— PHYX049/X049L	5	

Program:	<u>Computer Engineering</u>	CIP:	<u>14.0901</u>
	<u>Computer & Information Engineering</u>	Track:	<u>2/3</u>
Offered At:	<u>FAMU</u>	Program Length:	<u>126 Cr. Hrs.</u>
	<u>FAU</u>		<u>128</u>

REVISED 2/25/09
 Revised 5/26/2010.
 Technical course change 10/23/2013
 Technical revision 7/3/2018

LOWER LEVEL COURSES

	Cr. Hrs.
MACX311	4
or- MACX281	4
& MACX312	4
or- MACX282	4
& MACX313	4
or- MACX283	4
& MAPX302	3
or- MAPX305	3
& CHMX045/X045L	4
or- CHMX045C	4
or- CHSX440/X440L ⁽¹⁾	3-4
& PHYX048/X048L	4
or- PHYX048C	4
& PHYX049/X049L	4
or- PHYX049C	4
or- PHYX044	
&- PHYX049L	
&- COPXXXX ⁽²⁾	3

FOR ALL MAJORS: Students are strongly encouraged to select required lower division electives that will enhance their general education coursework and that will support their intended baccalaureate degree program. Students should consult with an academic advisor in their major degree area.

-
- (1) or CHSX440 only if the course is 4 credit hours including lab.
 (2) Intro programming in Ada, C, C++, JAVA, or equivalent language.

NOTE: Minimum required grades in prerequisite courses are established by each university. Students are advised to consult the transfer institution.

Program:	<u>Computer Engineering</u>	CIP:	<u>14.0901</u>
	<u>Digital Logic Design, Embedded System Design, and Machine Intelligence</u>	Track:	<u>3/3</u>
Offered At:	<u>POLY</u>	Program Length:	<u>120 Cr. Hrs.</u>

New Track 6/30/2014
 Technical revision 7/3/2018
 Technical 6/19/2019

LOWER LEVEL COURSES

	Cr. Hrs.	
----- EELX111C or----- EELX111 &----- EELX117L &----- EELX112C	4 3	Circuits I Circuits II
&----- Select from the following: or----- COPX271C (2) or----- COPXXXX (2)	3	Introduction to Computation and Programming, or equivalent Intro Programming in C, C++, JAVA or equivalent language
&----- Select from the following: or----- MACX311 or----- MACX281	4	Analytic Geometry and Calculus I
&----- Select from the following: or----- MACX312 or----- MACX282	4	Analytic Geometry and Calculus II
&----- Select from the following: or----- MACX313 or----- MACX283	4	Analytic Geometry and Calculus III
&----- Select from the following: or----- MAPX302 or----- MAPX305	3	Differential Equations
&----- Select from the following: or----- CHMX045C or----- Take both courses: &----- CHMX045/X045L or----- Take both courses: &----- CHSX440 &----- CHMX045L or----- CHMX440C (1)	4 4 4	
&----- Select from the following: or----- PHYX048C or----- Take both courses: &----- PHYX048/X048L or----- Take both courses: &----- PHYX053/X053L or----- PHYX053C	5 5 5	
&----- Select from the following: or----- PHYX049C or----- PHYX054C or----- Take both courses: &----- PHYX049/X049L or----- Take both courses: &----- PHYX054/X054L	5 5 5	

(1) With consent of instructor.

(2) Intro Programming in Ada, C, C++, JAVA, or equivalent language.

FOR ALL MAJORS: Students are strongly encouraged to select required lower division electives that will enhance their general education coursework and that will support their intended baccalaureate degree program. Students should consult with an academic advisor in their major degree area.

Program:	<u>Computer Networking (BAS)</u>	CIP:	<u>11.0901</u>
		Track:	<u>1</u>
Offered At:	<u>FSCJ</u>	Program Length:	<u>120 Cr. Hrs.</u>

REVISED 2/25/09

Technical Change 4/16/2019

LOWER LEVEL COURSES

FOR ALL MAJORS: Students are strongly encouraged to select required lower division electives that will enhance their general education coursework and that will support their intended baccalaureate degree program. Students should consult with an academic advisor in their major degree area.

There are no specified common prerequisites for this major. All Florida College System students are encouraged to complete the Associate degree. Students should consult with an academic advisor in their major degree area at the intended transfer institution.

Program:	<u>Computer Science</u>	CIP:	<u>11.0701</u>
		Track:	<u>1</u>
Offered At:	<u>UNF, UWF</u>	Program Length:	<u>120 Cr. Hrs.</u>

New Program 5/28/2018
 Clarification regarding programming and science coursework added 6/1/2019.
 UNF added 6/13/2019
 Technical 6/19/2019

LOWER LEVEL COURSES

	Cr. Hrs.	
Please select one of the following:		
or-	3	Intro to Programming in C++
or-	3	Programming I
or-		
or-	3	Programming in C for Engineers
or-	3	Computer Programming for Engineers
or-	3	C/C++/JAVA Programming
or-	3	Intro to Computer Programming II
&-	4	Analytic Geometry & Calculus I
&-	4	Analytic Geometry & Calculus II
&- Select from the following:		
or-	4	Physics I and lab
or-		Take both courses:
&-	4	PHYX048/X048L
&- Select from the following:		
or-	4	Physics II and Lab
or-		Take both courses:
&-	4	PHYX049/X049L
&- Select a total of at least 6 credit hours of the science courses listed below:		
or-	3	General Chemistry I
or-	1	General Chemistry I Lab
or-	4	General Chemistry I and lab
or-	3	General Biology I
or-	1	General Biology I Lab
or-	4	General Biology I and lab
or-	3	General Chemistry II
or-	1	General Chemistry II Lab
or-	4	General Chemistry II and lab
or-	3	General Biology II
or-	1	General Biology II lab
or-	4	General Biology II and lab
or-	3	Physical Geology
or-	3	Intro to Meteorology
or-	3	Intro to Environmental Science
or-	3	Intro to Oceanography
or-	3	Descriptive Astronomy
or-	3	Intro to Physical Anthropology
or-	3	Intro Botany
or-	3	General Biology
or-	3	Man & Environment
or-	3	Anatomy & Physiology I
or-	3	Anatomy & Physiology II
or-	3	Intro to Marine Biology
or-	3	Chemistry for Health Science
or-	3	Intro to Environmental Science
or-	3	Physical Geography
or-	3	Intro Microbiology

FOR ALL MAJORS: Students are strongly encouraged to select required lower division electives that will enhance their general education coursework and that will support their intended baccalaureate degree program. Students should consult with an academic advisor in their major degree area.

Program: Computer Software Engineering

CIP: 14.0903

Track: 1

Offered At: FGCU

Program Length: 120 Cr. Hrs.

NEW 10/28/15. Changed from 11.0899.

Revised May 2017

Technical revision 7/6/2018

Technical 6/14/2019

Technical 8/23/2019

LOWER LEVEL COURSES

	Cr. Hrs.
— COPX500	3
or— COPX000	3
&— COPX006	3
or— COPX253	3
or— COPX800	3
or— COPX250	3
&— MACX311	4
&— MACX312	4
&— PHYX048/X048L	5
&— PHYX049/X049L	5
or— PHYX048C	4
&— PHYX049C	4
&— STAX023	3
or— STAX037	3
&— Two math elective courses from the following:	
or— MACX313	6-8
or— MAPX302	
or— MHFX191	
or— MHFX310	
&— Select from the following:	
or— Take both courses	
&— BSCX010/X010L	4
or— Take both courses:	
&— BSCX011/X011L	4
or— Take both courses:	
&— CHMX045/X045L	4
or— BSCX011C	4
or— CHMX045C	4
or— GLYX000C	4
or— BSCX010C	4

(Please see notes in the following page)

(Continues from previous page)

FOR ALL MAJORS: Students are strongly encouraged to select required lower division electives that will enhance their general education coursework and that will support their intended baccalaureate degree program. Students should consult with an academic advisor in their major degree area.

Program:	<u>Computer Software and Media Applications</u>	CIP:	<u>11.0899</u>
	<u>Cyber Gaming</u>	Track:	<u>1</u>
Offered At:	<u>POLY</u>	Program Length:	<u>120 Cr. Hrs.</u>

New track 6/30/2014
 Technical revision 7/3/2018
 Technical 12/11/2018
 Technical 6/19/2019

LOWER LEVEL COURSES

	Cr. Hrs.	
— COPX271C ⁽¹⁾	3	Introduction to Computation and Programming
or— COPXXXX ⁽¹⁾	3	Intro to programming in C, C++, JAVA or equivalent language
&— MACX311	4	Analytic Geometry and Calculus I
or— MACX281		
&— MACX312	4	Analytic Geometry and Calculus II
or— MACX282		
&— MADX107	3	Discrete Mathematics
&— PHYX048/X048L	4	Physics I
or— PHYX048C		
or— PHYX053/X053L		
&— PHYX049/X049L	4	Physics II
or— PHYX049C		
or— PHYX044		
&— PHYX049L		
or— PHYX054/X054L		
&— STAX023	3	Statistics
or— QMBX100		
or— STAX024		
or— STAX032		
or— STAX037		
or— STAX122		
&— COPX330	3	Computer Programming II
or— COPX251		
or— COPX258		
or— COPX552		
&— COPX710	3	Database 1
or— CGSX540		
or— CGSX542		
&— CDAX108	3	Introduction to Computer Systems
or— CDAX105		
or— CDAX201		

(1) Introduction to programming in C, C++, JAVA, or equivalent language.
 FOR ALL MAJORS: Students are strongly encouraged to select required lower division electives that will enhance their general education coursework and that will support their intended baccalaureate degree program. Students should consult with an academic advisor in their major degree area.

Program:	<u>B.S. in Information Systems</u>	CIP:	<u>11.0401</u>
	<u>B.S. in Information Systems</u>	Track:	<u>2/2</u>
Offered At:	<u>UNF</u>	Program Length:	<u>120 Cr. Hrs.</u>

LOWER LEVEL COURSES

	Cr. Hrs.	
— COPX220	3	Programming I
&— ACGX021	3	Accounting Principles
&— ACGX071	3	Managerial Accounting
&— Select one of the following:		
or— CGSX570	3	Microcomputer Software Packages I
or— CGSX100		
or— CGSX060		
&— MACX233	3	Elementary Calculus
&— Select one of the following:		
or— STAX023	3	Statistical Methods
or— STAX015		
&— ECOX013	3	Macroeconomics
&— ECOX023	3	Microeconomics

Program: Construction Engineering

CIP: 14.0803

Track: 1

Offered At: UCF

Program Length: 128 Cr. Hrs.

REVISED 5/27/09

LOWER LEVEL COURSES

	Cr. Hrs.	
MACX311	4	
or- MACX281	4	
& MACX312	4	
or- MACX282	4	
& MACX313	4	
or- MACX283	4	
& MAPX302	3	Differential Equations
& CHMX045/X045L	4	
or- CHMX045C	4	
or- CHSX440C	4	
& PHYX048/X048L	4	Physics I w/ Lab
or- PHYX048C	4	Physics I w/ Lab
& PHYX049/X049L	4	Physics II w/ Lab
or- PHYX049C	4	Physics II w/ Lab

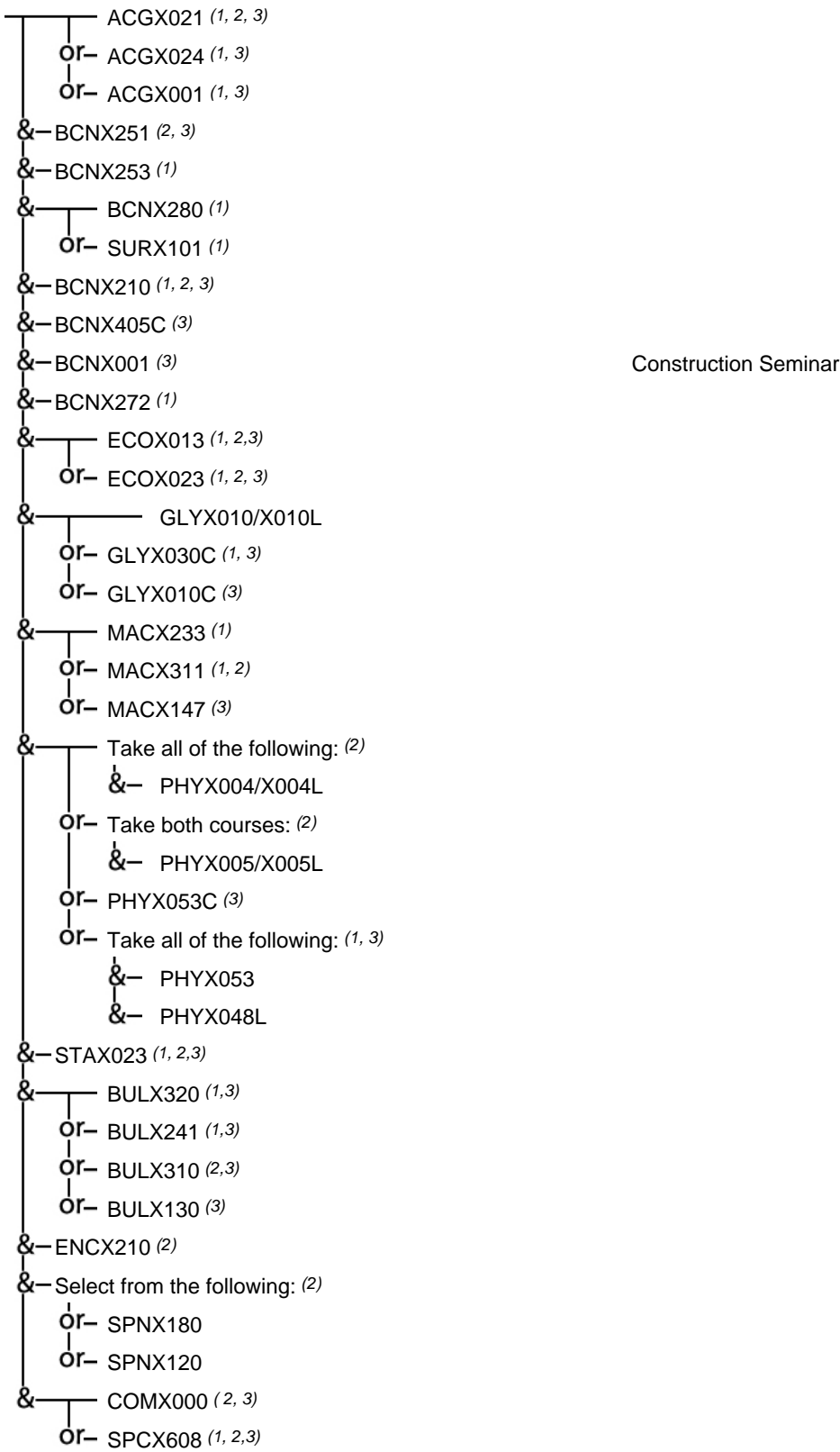
FOR ALL MAJORS: Students are strongly encouraged to select required lower division electives that will enhance their general education coursework and that will support their intended baccalaureate degree program. Students should consult with an academic advisor in their major degree area.

Program:	<u>Construction/Building Technology</u>	CIP:	<u>15.1001</u>
		Track:	<u>1/3</u>
Offered At:	<u>FIU</u>	Program Length:	<u>121 Cr. Hrs.</u>
	<u>UF*</u>		<u>125</u>
	<u>FGCU</u>		<u>126</u>

(See FAMU and SSCF Track 2; UNF Track 3)
 REVISED 10/28/2009
 Revised Oct 2010
 Revised 10/24/2012
 Revised 5/22/2013
 Technical Changes 9/22/2016
 Revised 11/26/2018
 Revised 6/2019
 Technical 8/23/2019
 Technical 9/23/2019
 Technical 9/24/2019

LOWER LEVEL COURSES

Cr. Hrs.



FOR ALL MAJORS: Students are strongly encouraged to select required lower division electives that will enhance their general education coursework and that will support their intended baccalaureate degree program. Students should consult with an academic advisor in their major degree area.

 PLEASE NOTE: Numerous substitutions are available and vary from institution to institution.

- (1) FIU Requirement
- (2) UF Requirement
- (3) FGCU Requirement
- * Limited Access.

Program:	<u>Construction/Building Technology</u>	CIP:	<u>15.1001</u>
		Track:	<u>2/3</u>
Offered At:	<u>FAMU</u>	Program Length:	<u>124 Cr. Hrs.</u>
	<u>SSCF</u>		<u>126</u>

(See FIU, UF track 1; UNF track 3)
 Institution added 3/2/11
 Modified track 5/22/2013
 Revised May 2017
 Technical 6/14/2019
 Technical 6/19/2019

LOWER LEVEL COURSES

	Cr. Hrs.
—BCNX221C	4
&—BCNX251C	3
&—BCNX230	3
&—BCNX231	3
&—Select: one of the following:	
or— CHMX015	
or— CHMX020	
or— CHMX030	
&—Select: one of the following:	
or— EGNX110C	
or— EGN111C	
&—Select one of the following:	
or— EGNX112C	
or— ETDX320C	
&—Select one of the following:	
or— SURX140C	4
or— SURX101C	

FOR ALL MAJORS: Students are strongly encouraged to select lower division electives that will enhance their general education coursework and that will support their intended baccalaureate degree program. Consult with an academic advisor in your major degree area.

Program: Construction/Building Technology **CIP:** 15.1001
Track: 3/3
Offered At: UNF **Program Length:** 120 Cr. Hrs.

New 5/22/2013
 Revised Spring 2016
 Technical revision 7/6/2018; 12/12/2018
 Revised 10/24/2018

LOWER LEVEL COURSES

	Cr. Hrs.	
—ACGX021	3	Accounting Principles
&—BCNX251	3	Building Construction Drawing I
&—BCNX210C	3	Construction Materials
&—BCNX405	3	Applied Statics & Strength
&—ECO013	3	Macroeconomics
&—ECO023	3	Microeconomics
&—Take one of the following:		
or— MACX233	3	Calculus for Business & Social Science I
or— MACX311	4	Calculus I
&—Select from the following:		
or— PHYX053C		
or— Take both courses:		
&— PHYX053/X053L	5	
or— Take both courses:		
&— PHYX004/X004L		
&—Select from the following:		
or— PHYX054	3	General Physics II
or— PHYX005		Tech Physics II
or— CHMX045		General Chemistry I
&—STAX023	3	
&—Take one of the following:		
or— CGSX100	3	Applicataion for Business
or— CGSX531		Integrated Software
or— CGSX570		Microcomputer Software Pckg I

Program: Criminal Forensic Studies **CIP:** 43.0111
Track: 1
Offered At: FGCU, FIU **Program Length:** 120 Cr. Hrs.

NEW 5/27/09
 Revised Oct 2010
 FIU added 10/24/2018

LOWER LEVEL COURSES

	Cr. Hrs.
STAX023	3
or- STAX037	3
& BSCX010C	4
or— BSCX010/X010L	4
& CHMX025C	4
or— CHMX025/X025L	4

FOR ALL MAJORS: Students are strongly encouraged to select required lower division electives that will enhance their general education coursework and that will support their intended baccalaureate degree program. Students should consult with an academic advisor in their major degree area.

Program:	<u>Criminal Justice Studies</u>	CIP:	<u>43.0104</u>
		Track:	<u>1</u>
Offered At:	<u>FAMU, FAU, FGCU, FIU, FSU, IRSC, PSC, UCF, UNF, UWF</u>	Program Length:	<u>120 Cr. Hrs.</u>

UF and USF Criminal Justice Studies in CIP 45.0401

REVISED 4/18/12

REVISED 10/24/12

Technical revision 7/5/3028

LOWER LEVEL COURSES

There are no specified common prerequisites for this major. All Florida College System students are encouraged to complete the Associate degree. Students should consult with an academic advisor in their major degree area at the intended transfer institution.

Program:	<u>Criminology</u>	CIP:	<u>45.0401</u>
		Track:	<u>1</u>
Offered At:	<u>UF*, USF</u>	Program Length:	<u>120 Cr. Hrs.</u>

REVIEWED - NO CHANGE 2/25/09

Added campus 10/24/2012

Added university 4/11/2013

Technical revision 7/5/2018

Revised 4/8/19 to reflect the same curriculum at USF on all campuses.

Technical 9/25/2019

LOWER LEVEL COURSES

There are no specified common prerequisites for this major. All Florida College System students are encouraged to complete the Associate degree. Students should consult with an academic advisor in their major degree area at the intended transfer institution.

* Limited Access.

Program: Cybersecurity

CIP: 11.1003

Offered At: PESC

Track: 1/3

Program Length: 120 Cr. Hrs.

Created February 2017
Track change 6/11/2019
Technical 6/19/2019

LOWER LEVEL COURSES

	Cr. Hrs.
CTSX650	3
or- CTSX651	3
or- CETX610	3
or- CETX614C	3
& CTSX314	3
or- CTSX317	3
or- CTSX318	3
or- CETX691	3
or- CETX830C	3
& COPX510	3
or- COPX224	3
or- COPX332	3
or- COPX800	3
& CTSX149	3
or- CGSX103	3
or- CTSX142	3
& CTSX120	3
& CTSX390	3
& CTSX300	3

Program: Cybersecurity **CIP:** 11.1003
Track: 2/3
Offered At: UWF **Program Length:** 120 Cr. Hrs.

New Track 5/28/2018
 Technical Amendment with computer programming and science clarification for project - 4/30/2019
 Track number revision 6/11/2019

LOWER LEVEL COURSES

	Cr. Hrs.	
MACX311	4	Analytic Geometry and Calculus I
&- MACX312	4	Analytic Geometry & Calculus II
&- Select from the following::		
Or- PHYX048C	4	Physics I and lab
Or- Select both courses:		
&- PHYX048/X048L	4	
&- STAX023	3	Elements of Statistics
&- Take 3 semester hours from the following science courses. This 3 hours are in addition to the courses required above. ⁽¹⁾		
Or- CHMX045	3	General Chemistry I
Or- CHMX045L	1	General Chemistry I Lab
Or- CHMX045C	4	General Chemistry I with Lab
Or- CHMX046	3	General Chemistry II
Or- CHMX046L	1	General Chemistry II Lab
Or- CHMX046C	4	General Chemistry II and lab
Or- BSCX010	3	General Biology I
Or- BSCX010L	1	General Biology I lab
Or- BSCX010C	4	General Biology I and Lab
Or- BSCX011	3	General Biology II
Or- BSCX011L	1	General Biology Lab
Or- BSCX011C	4	General Biology II and lab
Or- GLYX010	3	Physical Geology
Or- METX010	3	Intro to Meteorology
Or- EVSX001	3	Intro to Environmental Science
Or- OCEX001	3	Intro to Oceanography
Or- PHYX049	4	Physics II
Or- PHYX049C		Physics II with Lab
Or- ASTX002	3	Descriptive Astronomy
Or- ANTX511	3	Intro Physical Anthropology
Or- BOTX010	3	Introductory Botany
Or- BSCX050	3	Man & Environment
Or- BSCX005	3	General Biology
Or- BSCX085	3	Anatomy & Physiology I
Or- BSCX086	3	Anatomy & Physiology II
Or- BSCX311	3	Intro to Marine Biology
Or- CHMX020	3	Chemistry for Liberal Studies
Or- CHMX032		Chemistry for Health Science
Or- ESCX000	3	Intro to Earth Science
Or- GEOX200	3	Physical Geography
Or- MCBX000	3	Intro Microbiology
&- Take one of the following:		
Or- COPX334	3	Intro to Programming in C++
Or- COPX253	3	Java Programming
Or- COPX210	3	Programming I
Or- COPX272C	3	C/C++/JAVA Programming
Or- COPX512	3	Prog Fundamentals for Info Tech
Or- COPX006		Orientation Programming
Or- COPX500	3	Intro to Computer Science I
Or- COPX220	3	C Programming
Or- COPX360	3	C# Programming
Or- COPX800	3	JAVA Programming

(1) Or other natural science as approved by the program.
 FOR ALL MAJORS: Students are strongly encouraged to select required lower division electives that will enhance their general education coursework and that will support their intended baccalaureate degree program. Students should consult with an academic advisor in their major degree area.

Program:	<u>Cybersecurity</u>	CIP:	<u>11.1003</u>
		Track:	<u>3/3</u>
Offered At:	<u>USF</u>	Program Length:	<u>120 Cr. Hrs.</u>

New program track 6/11/2019
 Technical change 8/22/2019

LOWER LEVEL COURSES

	Cr. Hrs.	
PSYX012	3	Intro to Psychology
&- ECOX013	3	Macroeconomics
&- Take one of the two below:		
or- STAX023	3	Introductory Statistics I
or- STAX122	3	
&- Select one of the following two options:		
or- MACX147	3	
or- Take both courses		
&- MACX140	3	
&- MACX114	3	
&- PHYXXXX ⁽¹⁾	3	Any Physics Course
&- MADX104	3	Discrete Math
&- Select from the following introductory courses for databases for information technology:		
or- CGSX540	3	
or- CGSX540C	4	
or- CGSX545	3	
or- COPX710	3	
&- Select from the following courses of programming fundamentals for information technology:		
or- COPX512	3	
or- COPX210	3	
or- COPX270	3	
or- COPX006	3	
or- COPX272C	4	
or- COPX500	3	
or- COPX220	3	
or- COPX360	3	
or- COPX800	3	
&- Select from the following Object-Oriented Programming courses for Information Technology		
or- COPX513	3	
or- COPX551C	4	
or- COPX000	3	
or- COPX224	3	
or- COPX250	3	

(1) PHYX1000 - PHYX2999

Program:	<u>Dance</u>	CIP:	<u>50.0301</u>
	<u>Dance - B.A.</u>	Track:	<u>1/2</u>
Offered At:	<u>USF*</u>	Program Length:	<u>120 Cr. Hrs.</u>

REVIEWED - NO CHANGE 5/27/09
 REVISED 10/28/2009
 Technical 3/1/19

LOWER LEVEL COURSES

B.A. Track ONLY:

	Cr. Hrs.
_____ DANX610	2
&_____ TPAX200	
_____ or- TPAX223	3
_____ or- TPAX232	
&_____ DAAX200-X209 ⁽¹⁾	9
&_____ DAAX100-X109 ⁽²⁾	9

FOR ALL MAJORS: Students are strongly encouraged to select required lower division electives that will enhance their general education coursework and that will support their intended baccalaureate degree program. Students should consult with an academic advisor in their major degree area.

-
- (1) Up to 10 credit hours of any lower level Ballet Technique courses within the 200-209 taxonomy
 - (2) Up to 10 credit hours of any lower level Modern Technique courses within the 100-109 taxonomy

PLEASE NOTE: Although credit toward the major will be given for these courses, placement in upper level technique classes will continue to be based on individual student proficiency.

PLEASE NOTE: Other technique courses (i.e., in other styles of dance) may be accepted toward the major on a case-by-case basis at the discretion of the University.

* Limited Access.

Program:	<u>Dance</u>	CIP:	<u>50.0301</u>
	<u>Dance - B.F.A.</u>	Track:	<u>2/2</u>
Offered At:	<u>UF*, USF*</u>	Program Length:	<u>120 Cr. Hrs.</u>
	<u>FSU*</u>		<u>128</u>

REVIEWED - NO CHANGE 5/27/09

LOWER LEVEL COURSES

B.F.A. Track ONLY:

Any 24 credit hours from the following 30 hours will satisfy the common prerequisites toward the major, if the specific requirements outlined in the footnotes are satisfied as well.

	Cr. Hrs.
├── DANX610	3
│ └─ or ─ DANX600	3
& ─┬── DANX611	3
│ └─ or ─ DANX601	3
& ─ DAAX610	2
& ─ DAAX611	2
& ─ DAAX680 ⁽¹⁾	2
& ─ DAAX681 ⁽¹⁾	2
& ─ DAAX200-X209 ⁽²⁾	8
& ─ DAAX100-X109 ⁽³⁾	8

FOR ALL MAJORS: Students are strongly encouraged to select required lower division electives that will enhance their general education coursework and that will support their intended baccalaureate degree program. Students should consult with an academic advisor in their major degree area.

-
- (1) Or any lower level Repertory courses in the 400-499 series up to 4 credit hours.
 - (2) Up to 8 credit hours of any lower level Ballet Technique courses within the 200-209 taxonomy.
 - (3) Up to 8 credit hours of any lower level Modern Technique courses within the 100-109 taxonomy.

PLEASE NOTE: Although credit toward the major will be given for these, placement in upper level technique classes will continue to be based on individual student proficiency.

* Limited Access.

Program: Deaf Education **CIP:** 13.1003
Track: 1
Offered At: UNF **Program Length:** 120 Cr. Hrs.

Approved fall 2015
 Technical 9/24/2019

LOWER LEVEL COURSES

	Cr. Hrs.	
— ASLX140	4	American Sign Language I
&— ASLX150	4	American Sign Language II
&— ASLLX160	4	American Sign Language III
&— EDFX005	3	Intro to Teaching Profession

Program:	<u>Dental Hygiene (BAS)</u>	CIP:	<u>51.0602</u>
		Track:	<u>1</u>
Offered At:	<u>SPC</u>	Program Length:	<u>120 Cr. Hrs.</u>

REVIEWED - NO CHANGE 5/27/09
Technical Change 4/16/2019

LOWER LEVEL COURSES

FOR ALL MAJORS: Students are strongly encouraged to select required lower division electives that will enhance their general education coursework and that will support their intended baccalaureate degree program. Students should consult with an academic advisor in their major degree area.

There are no specified common prerequisites for this major. All Florida College System students are encouraged to complete the Associate degree. Students should consult with an academic advisor in their major degree area at the intended transfer institution.

Program: Dietetics/Nutritional Services

CIP: 51.3101

Track: 1/3

Offered At: FIU*, FSU

Program Length: 120 Cr. Hrs.

Added university 10/24/2012
Deleted UNF 4/27/2016
Technical revision 7/5/2018
Technical revision 7/18/2018
Technical 12/11/2018
12/12/2018
Technical 9/24/2019

LOWER LEVEL COURSES

	Cr. Hrs.
BSCX085/X085L	9
&- BSCX086/X086L	1
or- BSCX085C	8
&- BSCX086C	0
or- BSCX093C	8
&- BSCX094C	0
or- HSCX549	3
or- PCBX702	3
or- PETX322/X322L	4
&- CGSX060	3
or- CGSX061	3
&- CHMX200/X200L	4
or- CHMX210/X210L	
&- CHMX211/X211L	
&- CHMX045/X045L	
&- CHMX046/X046L	
or- CHMX032	
&- ECOX013	3
or- ECOX023	3
or- ECOX000	3
&- MCBX004/X004L	4
or- MCBX020C	4
or- MCBX013C	4
or- MCBX020/X020L	4
&- PSYX012	3
&- Select from the following:	
or- MACX105	
or- MACX147	
&- HUNX201	

(Please see notes in the following page)

(Continues from previous page)

FOR ALL MAJORS: Students are strongly encouraged to select required lower division electives that will enhance their general education coursework and that will support their intended baccalaureate degree program. Students should consult with an academic advisor in their major degree area.

* Limited Access.

Program: Dietetics/Nutritional Services
Dietetics
Offered At: UF*

CIP: 51.3101
Track: 2/3
Program Length: 120 Cr. Hrs.

New track 6/30/2014. Moved from 01.1001.
 REVISED 10/28/15
 Technical 12/11/2018

LOWER LEVEL COURSES

	Cr. Hrs.
BSCX010/X010L ⁽¹⁾	4
or- BSCX010C	4
or- BOTX010/X010L	4
or- BOTX010C	4
or- ZOOX010/X010L	4
or- ZOOX010C	4
& BSCX011/X011L ⁽¹⁾	4
or- BSCX011C	4
or- BOTX011/X011L	4
or- BOTX011C	4
& CHMX045/X045L ⁽¹⁾	4
or- CHMX045C	4
or- CHMX040	4
&- CHMX041	4
&- CHMX045L	4
& CHMX046/X046L ⁽¹⁾	4
or- CHMX046C	4
& ECOX023	3
or- ECOX013	3
& MACX147 ⁽¹⁾	4
or- MACX114	3
&- MACX140	3
& MCBX000C ⁽¹⁾	4
or- MCBX000/X000L	4
&- PSYX012	3
& STAX023	3
or- STAX014	3
or- STAX122	3

(Please see notes in the following page)

(Continues from previous page)

FOR ALL MAJORS: Students are strongly encouraged to select required lower division electives that will enhance their general education coursework and that will support their intended baccalaureate degree program. Students should consult with an academic advisor in their major degree area.

- (1) Students MUST achieve a 2.5 GPA or better in all of the above science and math courses.
- * Limited Access.

Program:	<u>Digital Arts/Digital Media</u>	CIP:	<u>50.0102</u>
	<u>Digital Arts and Science/Digital Media Design</u>	Track:	<u>1/2</u>
Offered At:	<u>FGCU, UF*</u>	Program Length:	<u>120 Cr. Hrs.</u>

REVISED 5/27/09
 CIP changed 11/2/10 from 50.0706 to 50.0102
 Curriculum revised and updated 6/13/2019
 Technical 9/24/2019
 FIU Bachelors of Fine Arts added 10/2/2019.

LOWER LEVEL COURSES

Cr. Hrs.

- Select from the following:
 - or— MACX140 (1,2)
 - or— MACX105 (2)
- &— Select from the following Group of Courses:
 - or— Take any of the following courses: (1)
 - or— ARHX050
 - or— ARHX000
 - or— ARHX051
 - or— Take all of the following courses: (2)
 - &— ARHX050
 - &— ARHX051
- &— Select from the following Group of Courses:
 - or— Take any of the following courses: (1)
 - or— ARTX201C
 - or— ARTX201
 - or— ARTX203C
 - or— ARTX203
 - or— ARTX300C
 - or— ARTX300
 - or— ARTX301C
 - or— Take all of the following courses: (2)
 - &— Select one of the following options:
 - or— Take all courses:
 - &— ARTX201C
 - &— ARTX203C
 - &— ARTX300C
 - &— ARTX301C
 - or— Take all courses:
 - &— ARTX201
 - &— ARTX203
 - &— ARTX300
 - &— ARTX301
- &—
 - COPXXXX (3)
 - or— CAPXXXX (4)
 - or— CGSXXXX (5)

FOR ALL MAJORS: Students are strongly encouraged to select required lower division electives that will enhance their general education coursework and that will support their intended baccalaureate degree program. Students should consult with an academic advisor in their major degree area.

- (1) For students seeking UF program admission.
- (2) For students seeking FGCU program admission.
- (3) COPX1000 - COPX2999
- (4) CAP1000-CAP2999
- (5) CGS1000-CGS2999
- * Limited Access.

Program:	<u>Digital Arts/Digital Media</u>	CIP:	<u>50.0102</u>
	<u>Digital Interactive Systems/Visual Language</u>	Track:	<u>2/2</u>
Offered At:	<u>UCF</u>	Program Length:	<u>120 Cr. Hrs.</u>

NEW 5/27/09
 CIP changed 11/2/10 from 50.0706 to 50.0102
 Curriculum clarified and updated 6/13/2019

LOWER LEVEL COURSES

	Cr. Hrs.
— MACX105	3
&— ARHX050	3
&— DIGX000	3
&— DIGX030C	3
&— DIGX109C	3
&— DIGX500C	3
&— Select one of the following courses:	
or— CGSX100C	
or— CGSX100	

FOR ALL MAJORS: Students are strongly encouraged to select required lower division electives that will enhance their general education coursework and that will support their intended baccalaureate degree program. Students should consult with an academic advisor in their major degree area.

Program:	<u>Digital Media</u>	CIP:	<u>10.0304</u>
		Track:	<u>1</u>
Offered At:	<u>FSCJ, GCSC, IRSC</u>	Program Length:	<u>120 Cr. Hrs.</u>

New 10/27/10
REVISED 9/1/11
REVISED 10/23/13

LOWER LEVEL COURSES

Associate in Arts Degree or Associate in Science Degree in Graphic, Design, Digital Media, Information Technology or related fields. NOTE: special course sequences have been designed to support the transition from these lower-division programs into the new baccalaureate degree. Minimum cumulative grade point average of 2.0 is required. No common prerequisites are being recommended for program admission.

FOR ALL MAJORS: Students are strongly encouraged to select required lower division electives that will enhance their general education coursework and that will support their intended baccalaureate degree program. Students should consult with an academic advisor in their major degree area.

Program: Drama Education **CIP:** 50.0501
Track: 1/2
Offered At: FAMU, USF **Program Length:** 120 Cr. Hrs.

REVISED 5/27/09
Technical Revision 7/16/2018

LOWER LEVEL COURSES

	Cr. Hrs.
— EDFX005	3

FOR ALL MAJORS: Students are strongly encouraged to select required lower division electives that will enhance their general education coursework and that will support their intended baccalaureate degree program. Students should consult with an academic advisor in their major degree area.

FOR EDUCATION MAJORS: General education courses will be determined by the Florida College System institution or university where the student currently is earning the Associate in Arts or baccalaureate degree.

Program:	<u>Dramatic Arts/Theatre</u>	CIP:	<u>50.0501</u>
		Track:	<u>2/2</u>
Offered At:	<u>FAMU, FAU, FGCU, USF, UWF*</u>	Program Length:	<u>120 Cr. Hrs.</u>
	<u>UF*</u>		<u>124</u>
	<u>FIU*</u>		<u>128</u>
	<u>FSU*, UCF</u>		<u>129</u>

Revised 10/24/2012
 Modified credit hours total 5/22/2013
 REVISED 10/28/15
 Technical revision 7/17/2018

LOWER LEVEL COURSES

	Cr. Hrs.
THEX000 (1)	3
& THEX305	3
or- THEX300	3
& THEX925	1
& TPAX290	1
& TPAX200	3
or- TPAX210	3
& TPPX190	1
or- TPPX110	3
& THEXXXX	3
or- TPAXXXX	3
or- TPPXXXX	3
& THEXXXX	3
or- TPAXXXX	3
or- TPPXXXX	3
& THEXXXX	3
or- TPAXXXX	3
or- TPPXXXX	3

FOR ALL MAJORS: Students are strongly encouraged to select required lower division electives that will enhance their general education coursework and that will support their intended baccalaureate degree program. Students should consult with an academic advisor in their major degree area.

(1) or any introductory course from THEX001-X035

* Limited Access.

Program:	<u>East Asian Languages</u>	CIP:	<u>16.0399</u>
		Track:	<u>1</u>
Offered At:	<u>FSU</u>	Program Length:	<u>120 Cr. Hrs.</u>

REVISED 5/27/09

UF Terminated effective Fall 2018.

Course moved to main body and footnote adjusted per project. 4/30/2019

LOWER LEVEL COURSES

Cr. Hrs.

— Take one or both courses as needed for the degree and major(s):

or-	CHIX220	3
or-	JPNX220	3

FOR ALL MAJORS: Students are strongly encouraged to select required lower division electives that will enhance their general education coursework and that will support their intended baccalaureate degree program. Students should consult with an academic advisor in their major degree area.

- (1) Must demonstrate proficiency by testing or completion of a foreign language through the intermediate level. Which language depends upon the track/focus of the student. At FSU, the intermediate level would be either CHIX220 or JPNX220. Depending upon where a student begins in his or her language skills will determine if any courses need to be taken prior to the one listed above. See Institution for details.

NOTE: Native or heritage speakers or other persons with experience in a foreign language may qualify for a higher level language course, or exempt course(s) entirely. Please see the university to ensure proper advising and placement.

Program:	<u>Economics</u>	CIP:	<u>45.0601</u>
	<u>Business</u>	Track:	<u>2/2</u>
Offered At:	<u>FAMU, FAU, FGCU, UF, UNF, USF</u>	Program Length:	<u>120 Cr. Hrs.</u>

Campus added 10/24/2012
 REVISED 10/28/15
 USFSP offering removed 4/8/19
 Removed USFSP from index text 4/8/19

LOWER LEVEL COURSES

	Cr. Hrs.	
— ACGX021	3	Accounting Principles
&— ACGX071	3	Managerial Accounting I
&— CGSXXXX	3	(computer applications course)
&— ECOX013	3	Principles of Macroeconomics
&— ECOX023	3	Principles of Microeconomics
&— MACX233	3	Calculus for Business and Social Sciences I
&— STAX023	3	Statistics Methods I

FOR ALL MAJORS: Students are strongly encouraged to select required lower division electives that will enhance their general education coursework and that will support their intended baccalaureate degree program. Students should consult with an academic advisor in their major degree area.

Program:	<u>Education, Instructional Technology</u>	CIP:	<u>13.0501</u>
	<u>B.S. in Instructional Design and Technology</u>	Track:	<u>1</u>
Offered At:	<u>UWF</u>	Program Length:	<u>120 Cr. Hrs.</u>

New 2/28/19

Technical change in name 6/11/2019

LOWER LEVEL COURSES

There are no common prerequisites required.

Program:	<u>Education of Blind & Visually Handicapped</u>	CIP:	<u>13.1009</u>
		Track:	<u>1</u>
Offered At:	<u>FSU*</u>	Program Length:	<u>120 Cr. Hrs.</u>

REVISED 10/22/08
Deleted and revised footnote 9/13/2016
Revised Oct. 2017

LOWER LEVEL COURSES

	Cr. Hrs.	
— EDFX005	3	Intro to Education

FOR ALL MAJORS: Students are strongly encouraged to select required lower division electives that will enhance their general education coursework and that will support their intended baccalaureate degree program. Students should consult with an academic advisor in their major degree area.

FOR EDUCATION MAJORS: General education courses will be determined by the community college or university where the student currently is earning the Associate in Arts or baccalaureate degree, and will be published in the institution's existing catalog and delineated in the Statewide Course Numbering System.

* Limited Access.

Program:	<u>Education, General - Child Development</u>	CIP:	<u>13.0101</u>
	<u>Child Development</u>	Track:	<u>2/2</u>
Offered At:	<u>FGCU</u>	Program Length:	<u>120 Cr. Hrs.</u>

New track 11/26/2018

LOWER LEVEL COURSES

- (1) There are no common prerequisites for this degree.

Program: Education, General **CIP:** 13.0101
Track: 1/2
Offered At: FAU, UF **Program Length:** 120 Cr. Hrs.

New 10/24/2012
Deleted and revised footnote 9/13/2016.
Revised Oct. 2017
UF added 5/23/2018
Technical change 11/26/2018\`

LOWER LEVEL COURSES

	Cr. Hrs.	
— EDFX005	3	Intro to Education

Program:	<u>Educational Studies</u>	CIP:	<u>13.9999</u>
		Track:	<u>1</u>
Offered At:	<u>SPC</u>	Program Length:	<u>120 Cr. Hrs.</u>

NOTE: Completion of this program does not result in educator certification.

NEW 10/22/08

Footnote deleted and revised 9/13/2016.

Revised 10/18/2017

Revised 5/23/18

Technical Change 4/16/2019

LOWER LEVEL COURSES

There are no specified common prerequisites for this major. All Florida College System students are encouraged to complete the Associate degree. Students should consult with an academic advisor in their major degree area at the intended transfer institution.

Program:	<u>Electrical, Electronics Engineering</u>	CIP:	<u>14.1001</u>
		Track:	<u>1/2</u>
Offered At:	<u>UF</u>	Program Length:	<u>126 Cr. Hrs.</u>
	<u>FAMU, FAU, FSU, UCF, UNF, USF</u>		<u>128</u>
	<u>FIU, UWF</u>		<u>129</u>

REVISED 2/25/09
 Course revision 10/23/2013
 REVISED May 2015
 Technical revision 7/3/2018
 Technical revision 7/6/2018

LOWER LEVEL COURSES

	Cr. Hrs.
MACX311	4
or- MACX281	4
& MACX312	4
or- MACX282	4
& MACX313	4
or- MACX283	4
& MAPX302	3
or- MAPX305	3
& CHMX045/X045L	4
or- CHMX045C	4
or- CHSX440/X440L	
& PHYX048/X048L	4
or- PHYX048C	4
or- PHYX041	3
&- PHYX048L	1
& PHYX049/X049L	4
or- PHYX049C	4
or- PHYX044	
&- PHYX049L	
or- PHYX042	3
&- PHYX049L	1

FOR ALL MAJORS: Students are strongly encouraged to select required lower division electives that will enhance their general education coursework and that will support their intended baccalaureate degree program. Students should consult with an academic advisor in their major degree area.

-
- (1) or CHSX440 if 4 credit hours with included laboratory
 - (2) PHY2048L is not required at FIU

NOTE: Minimum required grades in the prerequisite courses are established by each university. Students are advised to consult the transfer institution.

Program:	<u>Electronic Engineering Technology</u>	CIP:	<u>15.0303</u>
	<u>Electrical and Computer Engineering Technology</u>	Track:	<u>1</u>
Offered At:	<u>FAMU</u>	Program Length:	<u>124 Cr. Hrs.</u>
	<u>VC</u>		<u>130</u>
	<u>MDC</u>		<u>134</u>

REVISED 5/27/09
 REVISED 10/28/2009
 REVISED 3/2/11
 Technical revision 7/6/2018, 10/4/2018, 12/12/2018

LOWER LEVEL COURSES

	Cr. Hrs.
MACX253	3-4
or- MACX311	4
&- MACX312	4
&- PHYX053C	5
or- PHYX048/X048L	5
or- PHYX048C	5
or- Take all of the following:	
&- PHYX053/X053L	5

FOR ALL MAJORS: Students are strongly encouraged to select required lower division electives that will enhance their general education coursework and that will support their intended baccalaureate degree program. Students should consult with an academic advisor in their major degree area.

REVISED 10/28/2009

Program:	<u>Elementary Teacher Education</u>	CIP:	<u>13.1202</u>
		Track:	<u>1</u>
Offered At:	<u>CC, DSC, FAMU, FGCU, FSU*, FSWSC, NWFSC, PSC, SFSC, SPC, UCF, UF*, USF, UWF</u>	Program Length:	<u>120 Cr. Hrs.</u>
	<u>FAU</u>		<u>123</u>
	<u>IRSC</u>		<u>124</u>
	<u>UNF</u>		<u>126</u>
	<u>FIU</u>		<u>129</u>

PSC - BS Elementary Education

REVISED 4/11/13

REVISED 10/23/13

REVISED 4/4/14

REVISED 10/28/15

Footnote deleted and revised 9/13/2016

Revised Oct. 2017.

Revised Feb. 2018

Technical revision 7/6/2018, 9/25/2019

Revised 4/8/2019 to reflect same curriculum offered at both the USF Tampa and USF Sarasota-Manatee campus.

LOWER LEVEL COURSES

	Cr. Hrs.	
— EDFX005	3	Intro to Education

FOR ALL MAJORS: Students are strongly encouraged to select required lower division electives that will enhance their general education coursework and that will support their intended baccalaureate degree program. Students should consult with an academic advisor in their major degree area.

FOR EDUCATION MAJORS: General education courses will be determined by the college or university where the student currently is earning the Associate in Arts or baccalaureate degree, and will be published in the institution's existing catalog and delineated in the Statewide Course Numbering System.

* Limited Access.

Program: Emergency Management **CIP:** 43.0302
Track: 1
Offered At: FIU, UCF **Program Length:** 120 Cr. Hrs.

NEW 10/24/2018
FIU added 10/2/2019

LOWER LEVEL COURSES

	Cr. Hrs.	
— ENCX102	3	English Comp II

Program: Energy Technology Management (BAS) **CIP:** 15.0503
Offered At: SCFMS **Track:** 1
Program Length: 120 Cr. Hrs.

New 10/27/10
 Technical revision 7/6/2018

LOWER LEVEL COURSES

	Cr. Hrs.	
MACX140	3	Precalculus Algebra
&- MACX114	3	Trigonometry
&- STAX023	3	Elementary Statistics
&- Select from the following:		
or- CHMX045C		
or- Take both courses:		
&- CHMX045/X045L		
&- Select from the following:		
or- PHYX053C		
or- Take both courses:		
&- PHYX053/X053L		

In order to be admitted to the BAS in Energy Technology program, the above lower level prerequisites must be completed with a C or higher for each course.

FOR ALL MAJORS: Students are strongly encouraged to select required lower division electives that will enhance their general education coursework and that will support their intended baccalaureate degree program. Students should consult with an academic advisor in their major degree area.

Program: Engineering Math **CIP:** 27.0301
Track: 1
Offered At: POLY **Program Length:** 120 Cr. Hrs.

Technical 9/24/2019

LOWER LEVEL COURSES

	Cr. Hrs.	
Select from the following:		
or- COPX224	3	C++ Programming
or- COPX271C		Introduction to Computing and Programming
or- COPX270		Programming in C for Engineers
or- COPX272C		C/C++/JAVA Programming
or- COPX001		Introduction to Computer Programming II
&- MACX311	4	Calculus I
&- MACX312	4	Calculus with Analytic Geometry II
&- MACX313	4	Calculus with Analytic Geometry III
&- Take one of the following science and corresponding lab:		
or- BSCX010C	4	
or- CHMX045C	4	
or- PHYX048C		
or- GLYX010C		
or- Take both courses:		
&- BSCX010/X010L		
or- Take both courses:		
&- CHMX045/X045L		
or- Take both courses:		
&- PHYX048/X048L		
or- Take both courses:		
&- GLYX010/X010L		

Program: Engineering Physics

CIP: 14.1201

Track: 1

Offered At: POLY

Program Length: 120 Cr. Hrs.

Added 6/11/2019

Technical 9/23/2019

LOWER LEVEL COURSES

	Cr. Hrs.	
— Select from the following two options:		
or- CHMX045C	4	General Chemistry I with lab
or- Take both courses:		
&- CHMX045/X045L	4	
&- Select from the following two options:		
or- CHMX046C	4	General Chemistry II with lab
or- Take both courses:		
&- CHMX046/X046L	4	
&- MACX311	4	Calculus I
&- MACX312	4	Calculus with Analytic Geometry II
&- MACX313	4	Calculus with Analytic Geometry III
&- Select from the following two options:		
or- PHYX048C	4	General Physics with Calculus and Lab
or- Take both courses:		
&- PHYX048/X048L	4	General Physics with Calculus I
&- Select from the following two options:		
or- PHYX049C		General Physics with Calculus II and lab
or- Take both courses:		
&- PHYX049/X049L		

Program: Engineering Technology **CIP:** 15.9999
Track: 1/2
Offered At: DSC **Program Length:** 128 Cr. Hrs.

New 10/27/10

LOWER LEVEL COURSES

	Cr. Hrs.	
Take Either Course or- MACX253 or- MACX311 &- Take Either Course or- COPX220 or- COPX001	 3-4 3-4 3 3	 Applied Calculus Calculus with Analytic Geometry I Computer Programming 'C' Computer Programming C++

FOR ALL MAJORS: Students are strongly encouraged to select required lower division electives that will enhance their general education coursework and that will support their intended baccalaureate degree program. Students should consult with an academic advisor in their major degree area.

Program:	<u>Engineering Technology</u>	CIP:	<u>15.9999</u>
	<u>Internet of Things</u>	Track:	<u>2/2</u>
Offered At:	<u>FIU</u>	Program Length:	<u>120 Cr. Hrs.</u>

New Feb. 2018
 Technical revision 7/6/2018; 12/12/2018
 Technical 6/17/2019
 Technical 9/23/2019

LOWER LEVEL COURSES

	Cr. Hrs.	
Take either course:		
or- MACX105	3-4	College Algebra
or- MACX147		Precalculus Algebra & Trigonometry
&- Take either course:		
or- MACX114	3-4	Trigonometry
or- MACX147		Precalculus Algebra & Trigonometry
&- Select from the following:		
or- Take both courses:		
&- PHYX053/X053L	3	Physics I without calculus
or- Select the course and lab:		
&- PHYX004/X004L	4	
or- PHYX053C		
or- Take both courses:		
&- PHYX053		
&- PHYX048L		
&- Select from the following:		
or- Take both courses:		
&- PHYX054/X054L	3	Physics II without calculus
or- Take both courses:		
&- PHYX005/X005L	4	
or- PHYX053C		
or- Take both courses:		
&- PHYX054		
&- PHYX049L		

FOR ALL MAJORS: Students are strongly encouraged to select required lower division electives that will enhance their general education coursework and that will support their intended baccalaureate degree program. Students should consult with an academic advisor in their major degree area.

Program:	<u>Engineering Technology, General</u>	CIP:	<u>15.0000</u>
	<u>Electrical Track</u>	Track:	<u>1/3</u>
Offered At:	<u>UWF</u>	Program Length:	<u>120 Cr. Hrs.</u>

REVISED 2/25/09

LOWER LEVEL COURSES

	Cr. Hrs.
— EETX015C	4
&— EETX025C	4
&— EETX141C	4
&— EETX142C	4
&— CETX113C	4
&— MACX105	3
&— MACX114	2
&— MACX311	
or— MACX253	
&— PHYX053	3
or— PHYX048	3
&— PHYX054	3
or— PHYX049	3

FOR ALL MAJORS: Students are strongly encouraged to select required lower division electives that will enhance their general education coursework and that will support their intended baccalaureate degree program. Students should consult with an academic advisor in their major degree area.

Program:	<u>Engineering Technology, General</u>	CIP:	<u>15.0000</u>
	<u>Construction Track</u>	Track:	<u>2/3</u>
Offered At:	<u>UWF</u>	Program Length:	<u>120 Cr. Hrs.</u>

REVISED 2/25/09
 Revised 2/28/2018
 Technical revision 7/6/2018
 Technical 12/12/2018

LOWER LEVEL COURSES

	Cr. Hrs.	
ACGX021	3	
or- ACGX001		
&- ACGX011		
&- Select from the following:		
or- MACX233	3	Calculus for Business & Social Science I
or- MACX311		Calculus I
&- Select from the following:		
or- Take Both Courses:		
&- PHYX053/X053L	4	General Physics I
or- Take Both Courses		
&- PHYX004/X004L	4	Tech Physics I
or- PHYX053C		
&- Select from the following:		
or- Take both courses:		
&- PHYX054/X054L	4	General Physics II
or- Take both courses:		
&- PHYX005/X005L	4	Tech Physics II
or- PHYX054C		
&- STAX023	3	Statistics
&- BCNX251	3	Building Construction Drawing I
&- BCNX210C	3	Construction Materials
&- BCNX405	3	Applied Statics & Strength
&- ECOX013	3	Macroeconomics
&- ECOX023	3	Microeconomics
&- Select from the following:		
or- BULX130	3	Legal Env of Business
or- BULX310		
or- BULX320		
or- BULX241		
&- Select from the following:		
or- CGSX100	3	Application for Business
or- CGSX531		
or- CGSX570		

FOR ALL MAJORS: Students are strongly encouraged to select required lower division electives that will enhance their general education coursework and that will support their intended baccalaureate degree program. Students should consult with an academic advisor in their major degree area.

Program:	<u>Engineering Technology, General</u>	CIP:	<u>15.0000</u>
	<u>Instructional (B.S. Degree)</u>	Track:	<u>3/3</u>
Offered At:	<u>UWF</u>	Program Length:	<u>120 Cr. Hrs.</u>

REVISED 2/25/09
 Technical revision 7/6/2018
 Revised 2/28/19, Technical 4/12/19

LOWER LEVEL COURSES

	Cr. Hrs.	
└─ MACX311	4	Calculus I
&─ CHMX045	3	General Chemistry I

FOR ALL MAJORS: Students are strongly encouraged to select required lower division electives that will enhance their general education coursework and that will support their intended baccalaureate degree program. Students should consult with an academic advisor in their major degree area.

Program:	<u>English Language and Literature</u>	CIP:	<u>23.0101</u>
		Track:	<u>1</u>
Offered At:	<u>FAMU, FAU, FGCU, FIU, FSU, UCF, UF*, UNF, USF, UWF</u>	Program Length:	<u>120 Cr. Hrs.</u>

REVISED 2/25/09
 Added campus 10/24/2012
 University added 4/11/2013
 Revised 4/8/2019 to reflect the same curriculum at USF on all campuses.
 Technical 9/25/2019

LOWER LEVEL COURSES

	Cr. Hrs.
ENCX101	3
or- ENCXXX (1)	3
& ENCX102	3
or- ENCXXX (1)	3

FOR ALL MAJORS: Students are strongly encouraged to select required lower division electives that will enhance their general education coursework and that will support their intended baccalaureate degree program. Students should consult with an academic advisor in their major degree area.

- (1) Six semester hours of English coursework in which the student is required to demonstrate college-level English skills through multiple assignments.

Note: C or better is required for all coursework.

* Limited Access.

Program: English Teacher Education **CIP:** 13.1305
Track: 1
Offered At: CC, FAU, FSU, FSWSC, UCF, USF **Program Length:** 120 Cr. Hrs.

FSWSC offers the BS in Middle Grades Language Arts Education.

REVISED 10/27/10

Added institution 3/2/2011

Removed university 10/24/2012

Added campus 5/22/2013

Deleted FAMU 4/27/2016

Footnote revised 9/13/2016

Revised Oct. 2017

USFSP offering removed 4/8/19

LOWER LEVEL COURSES

	Cr. Hrs.	
— EDFX005	3	Intro to Education
&— SPCX017	3	
or— SPCX608	3	
&— ENCX101 ⁽¹⁾	3	
&— ENCX102 ⁽¹⁾	3	
&— LITXXXX	3	
or— AMLXXXX	3	
or— ENLXXXX	3	

FOR ALL MAJORS: Students are strongly encouraged to select required lower division electives that will enhance their general education coursework and that will support their intended baccalaureate degree program. Students should consult with an academic advisor in their major degree area.

FOR EDUCATION MAJORS: General education courses will be determined by the college or university where the student currently is earning the Associate in Arts or baccalaureate degree, and will be published in the institution's existing catalog and delineated in the Statewide Course Numbering System.

 (1) ENCX101 and ENCX102 or equivalent composition.

Program: Entertainment Management **CIP:** 50.1001
Track: 1
Offered At: UCF **Program Length:** 120 Cr. Hrs.

New 2/26/2017

LOWER LEVEL COURSES

	Cr. Hrs.	
— HFTX071	3	Introduction to the Entertainment Industry

FOR ALL MAJORS: Students are strongly encouraged to select required lower division electives that will enhance their general education coursework and that will support their intended baccalaureate degree program. Students should consult with an academic advisor in their major degree area.

Program: Entomology

CIP: 26.0702

Track: 1

Offered At: UF

Program Length: 120 Cr. Hrs.

REVISED 5/27/09

Technical change 9/27/2018

Revised 11/26/2018; 12/12/2018

LOWER LEVEL COURSES

	Cr. Hrs.
_____ BSCX010/X010L	4
or- BSCX010C	4
or- BOTX010C	4
or- BSCX040C	4
&- _____ BSCX011/X011L	4
or- BSCX011C	4
or- BSCX041C	4
&- _____ CHMX045/X045L	4
or- CHMX045C	4
or- _____ CHMX040	
&- CHMX041	
&- _____ CHMX046/X046L	4
or- CHMX046C	4
&- _____ MACX147	3
or- _____ MACX114	3
&- MACX140	3
&- _____ MACX311	4
or- MACX233	4
or- MACX253	4
or- MACX281	4
or- MACX241	4
&- Select from the following: ⁽³⁾	
or- PHYX053C ⁽³⁾	4
or- Take both courses:	
&- PHYX053/X053L	
or- Take both courses:	
&- PHYX004/X004L	
&- STAX023	3

(Please see notes in the following page)

(Continues from previous page)

FOR ALL MAJORS: Students are strongly encouraged to select required lower division electives that will enhance their general education coursework and that will support their intended baccalaureate degree program. Students should consult with an academic advisor in their major degree area.

- (1) CHMX046/X046L is required for the Biological Science of Insects and Preprofessional specializations but not Urban Pest Management.
- (2) MACX311 is required for the Preprofessional specializations; MACX233 is required for the Biological Science of Insects specialization; and MACX142 or MACX114 or MACX140 is required for the Urban Pest Management specialization.
- (3) PHYX053/X053L is required for Preprofessionalization; PHYX004/X004L is required for the Biological Science of Insects and Urban Pest Management specializations.

Program:	<u>Entrepreneurship (FSU, USF)</u>	CIP:	<u>52.0701</u>
		Track:	<u>1</u>
Offered At:	<u>USF*</u>	Program Length:	<u>120 Cr. Hrs.</u>
	<u>FSU*</u>		<u>124</u>

NEW program 5/22/2013

Limited access 10/23/2013

Revised 2-28-2018.

Technical 12/11/2018; 9/25/2019

Revised 4/8/2019 to reflect the curriculum is offered at the USF St. Petersburg campus.

LOWER LEVEL COURSES

	Cr. Hrs.	
— ACGX021 ⁽¹⁾	3	Financial Accounting
&— ACGX071 ⁽¹⁾	3	Managerial Accounting
&— CGSX100 ⁽¹⁾	3	Computers in Business
&— ECOX013	3	Principles of Macroeconomics
&— ECOX023	3	Principles Microeconomics
&— Take one of the following:		
or— STAX023 ⁽²⁾	3	Introductory Statistics
or— QMBX100 ⁽²⁾		Basic Business Statistics
or— STAX122 ⁽²⁾		Statistics Application in Social Sciences
&— Take one of the following:		
or— LDRXXXX ⁽³⁾	3	Any leadership prefixed course
or— SLSX261 ⁽³⁾	3	Leadership
&— MACX233	3	

(1) Not required by FSU

FOR ALL MAJORS: Students are strongly encouraged to select required lower division electives that will enhance their general education coursework and that will support their intended baccalaureate degree program. Students should consult with an academic advisor in their major degree area.

(2) STAX023 or QMBX100 is preferred by USFSP. FSU prefers STAX023 or STAX122.

(3) FSU requires any 3 credit hour leadership course.

* Limited Access.

Program: Environment & Society **CIP:** 03.0101
Track: 1
Offered At: FSU **Program Length:** 120 Cr. Hrs.

NEW program 5/28/2018

LOWER LEVEL COURSES

	Cr. Hrs.	
Select from the following: or- BSCX010C or- Take both courses: &- BSCX010/X010L &- CHMX045C or- Take both courses: &- CHMX045/X045L &- Select either course: or- GEOX200C or- GEOX200	 4 4 4 4 3	 General Biology I & Lab General Chemistry I & Lab Physical Geography

FOR ALL MAJORS: Students are strongly encouraged to select required lower division electives that will enhance their general education coursework and that will support their intended baccalaureate degree program. Students should consult with an academic advisor in their major degree area.

Program: Environmental Chemistry

CIP: 40.0509

Offered At: USF

Track: 1

Program Length: 120 Cr. Hrs.

Technical 9/24/2019

LOWER LEVEL COURSES

Cr. Hrs.

- Select from the following:
 - or— CHMX045C
 - or— Take both courses:
 - &— CHMX045/X045L
 - or— Take both courses:
 - &— CHMX046
 - &— CHMX041
- &— Select from the following:
 - or— CHMX046C
 - or— Take both courses:
 - &— CHMX046/X046L
- &— Select from the following:
 - or— MACX311
 - or— MACX281
- &— Select from the following:
 - or— MACX312
 - or— MACX282
- &— Select from the following:
 - or— Take both courses:
 - &— CHMX210C
 - &— CHMX211C
 - or— Take all courses:
 - &— CHMX210/X210L
 - &— CHMX211/X211L
- &— Select from the following:
 - or— Take both courses:
 - &— PHYX048C
 - &— PHYX049C
 - or— Take all of the courses below:
 - &— PHYX048/X048L
 - &— PHYX049/X049L

Program:	<u>Environmental Science</u>	CIP:	<u>03.0104</u>
		Track:	<u>1/3</u>
Offered At:	<u>FSU, UF, USF, UWF</u>	Program Length:	<u>120 Cr. Hrs.</u>

(UWF Geography/Env Management Track and FAMU Track 2)

Added university 5/22/2013

Technical revisions 7/3/2018 and 7/5/2018

FOR ALL MAJORS: Students are strongly encouraged to select lower division electives that will enhance their general education coursework and that will support their intended baccalaureate degree program. Consult with an academic advisor in your major degree area.

Technical 12/11/2018

Revised 4/8/19 to reflect the same curriculum at both the USF Tampa and USF St. Petersburg campuses.

Technical 8/20/2019

LOWER LEVEL COURSES

	Cr. Hrs.	
—	4	General Biology I and lab
or—		Take both courses: (1, 2, 3, 6, 7)
&—	4	General Biology
or—	4	Introductory Botany with lab
or—		Take both courses (1,2, 4, 5)
&—	4	Introductory Botany
&—		Select from the following:
or—	4	Intro Microbiology and Lab
or—	4	General Biology II and lab
or—		Take both courses: (1,2,5,6)
&—	4	General Biology II
or—	4	General Zoology and lab
or—		Take both courses (1, 2)
&—	4	General Zoology I
or—	4	General Chemistry II with Lab
or—		Take both courses (6)
&—	4	General Chemistry II
&—		Select from the following: (1, 2, 3, 4, 5, 6, 7)
or—	4	General Chemistry I and Lab
or—		Take both courses:
&—	1	General Chemistry Lab
&—	3	General Chemistry I
&—		Select from the following: (1,2,3,4)
or—	4	General Chemistry II and Lab
or—		Take both courses:
&—	4	General Chemistry II
&—		PHYX020 (2)
or—		PHYX025 (2)
or—	4	General Physics I with Lab
or—		Take both courses: (1,2,6)
&—	2	General Physics I
or—	5	General Physics with Calculus and Lab
or—		Take both courses: (1,4,6)
&—	5	General Physics with Calculus
&—		Select from the following: (1)
or—		PHYX054/X054L
or—		PHYX049/X049L
or—	4	PHYX054C
or—	4	PHYX049C
&—		MACX311 (1, 3, 4)
or—		MACX233 (1, 2)
or—		MACX140 (2, 5)
or—		MACX105 (7)
&—		STAX023 (1,2,3,4,5)
or—		STAX122 (2)
or—		STAX024 (1)
or—		STAX032 (1)
&—		AEBX103 (1,2)
or—		ECO013 (1,2)
or—		ECO023 (1, 2)
&—		POSX041 (2)
&—		GLYX010C
or—		GLYX010/X010L
&—		Select from the following: (5)
or—	4	General Biology and Lab
or—		Take both courses:
&—	4	General Biology
&—		Select from the following: (5)
or—	4	Survey of Organic Chemistry and Lab
or—		Take both courses:
&—	4	Introductory Organic Chemistry
&—		STAX122 (6)

- (1) This is a requirement for the UF Bachelor of Science degree. If the footnote is attached to a particular course found within a group of alternatives then the course is accepted as meeting the requirement. If the footnote is attached to the whole group, then students have the choice of common prerequisites.
- (2) This is a requirement for the UF Bachelor of Arts degree. If the footnote is attached to a particular course found within a group of alternatives then the course is accepted as meeting the requirement. If the footnote is attached to the whole group, then students have the choice of common prerequisites.
- (3) This is a requirement for the University of South Florida. If the footnote is attached to a particular course found within a group of alternatives then the course is accepted as meeting the requirement. If the footnote is attached to the whole group, then students have the choice of common prerequisites.
- (4) This is a requirement for the University of West Florida Natural Science track. If the footnote is attached to a particular course found within a group of alternatives then the course is accepted as meeting the requirement. If the footnote is attached to the whole group, then students have the choice of common prerequisites.
- (5) This is a requirement for the University of West Florida Environmental Policy track. If the footnote is attached to a particular course found within a group of alternatives then the course is accepted as meeting the requirement. If the footnote is attached to the whole group, then students have the choice of common prerequisites.
- (6) This is a requirement for the Florida State University Bachelor of Science track. If the footnote is attached to a particular course found within a group of alternatives then the course is accepted as meeting the requirement. If the footnote is attached to the whole group, then students have the choice of common prerequisites.
- (7) .
This is a requirement for the Florida State University Bachelor of Arts track. If the footnote is attached to a particular course found within a group of alternatives then the course is accepted as meeting the requirement. If the footnote is attached to the whole group, then students have the choice of common prerequisites.

FOOTNOTES INDICATE ALL COURSEWORK THAT IS APPLICABLE TOWARDS A PARTICULAR UNIVERSITY DEGREE PROGRAM.

Program:	<u>Environmental Science</u>	CIP:	<u>03.0104</u>
		Track:	<u>2/3</u>
Offered At:	<u>FAMU, UWF</u>	Program Length:	<u>120 Cr. Hrs.</u>

(FSU, UF, USF, USF SP, UWF Track 1)

REVISED 10/28/2009

Revised 10/24/2012

Modified track name 5/22/2013

UWF is listed on both track 1 and track 2. The focus of this track for UWF is geography/environmental management.

Technical revision 7/5/2018

LOWER LEVEL COURSES

Cr. Hrs.

```

|----- BSCX010/X010L
|   |----- or ----- BSCX005/X005L
&-- Select the following: (2)
|   |----- &-- BSCX011/X011L
&-- Select the following: (3)
|   |----- &-- BOTX010/X010L
&-- Select from the following: (2, 3)
|   |----- or ----- CHMX045C
|   |----- or ----- Take both courses:
|   |   |----- &-- CHMX045/X045L
&-- Select from the following: (2, 3)
|   |----- or ----- CHMX046C
|   |----- or ----- Take both courses:
|   |   |----- &-- CHMX046/X046L
&-- Take both courses: (2)
|   |----- &-- PHYX048/X048L
&-- Take both courses: (2)
|   |----- &-- PHYX049/X049L
&-- MACX311 (2)
&-- MACX312 (2)
&-- MACX140 (3)
&-- ENCX210 (2)
&-- Select from the following: (3)
|   |----- or ----- Take both courses:
|   |   |----- &-- GLYX010/X010L
|   |----- or ----- Take both courses:
|   |   |----- &-- GEOX200/X200L
&-- EVSX007 (1, 2)

```

FOR ALL MAJORS: Students are strongly encouraged to select lower division electives that will enhance their general education coursework and that will support their intended baccalaureate degree program. Consult with an academic advisor in your major degree area.

- (1) Transfer students may take these courses their first semester at FAMU. Please contact the university for details.
- (2) This is a requirement for the Florida A&M University Geography track. If the footnote is attached to a particular course found within a group of alternatives then the course is accepted as meeting the requirement. If the footnote is attached to the whole group, then students have the choice of common prerequisites.
- (3) This is a requirement for the University of West Florida Geography and Environmental Management tracks. If the footnote is attached to a particular course found within a group of alternatives then the course is accepted as meeting the requirement. If the footnote is attached to the whole group, then students have the choice of common prerequisites.

Program:	<u>Environmental Science</u>	CIP:	<u>03.0104</u>
	<u>UWF-Teach</u>	Track:	<u>3/3</u>
Offered At:	<u>UWF</u>	Program Length:	<u>120 Cr. Hrs.</u>

New April 2016.
 Technical revision 7/5/2018
 Technical 12/11/2018

LOWER LEVEL COURSES

	Cr. Hrs.
— Select One of the following	
or- GLYX010C	4
or- GEOX200C	4
or- Take both courses:	
&- GLYX010/X010L	4
or- Take both courses:	
&- GEOX200/X200L	4
&- MACX311	
&- PHYX048L	4
&- STAX023	
&- EDGX041	
&- Select from the following:	
or- BOTX010C	4
or- Take both courses:	
&- BOTX010/X010L	4
&- Select from the following:	
or- CHMX045C	4
or- Take both courses	
&- CHMX045/X045L	4
&- Select from the following:	
or- CHMX046C	4
or- Take both courses:	
&- CHMX045/X045L	4

Program: Environmental Science

CIP: 03.0199

Track: 1

Offered At: BC

Program Length: 120 Cr. Hrs.

NEW 4/4/14

Technical 6/19/2019

LOWER LEVEL COURSES

		Cr. Hrs.
_____	CHMX045/X045L	4
	or _____	
	CHMX025/X025L	4
& _____	BSCX010/X010L	4
	or _____	
	ORHX523	2
	& _____	
	ORHX524	2
	or _____	
	ZOOX010/X010L	4
	or _____	
	BOTX010/X010L	4
& _____	EVRX001	

FOR ALL MAJORS: Students are strongly encouraged to select required lower division electives that will enhance their general education coursework and that will support their intended baccalaureate degree program. Students should consult with an academic advisor in their major degree area.

Program:	<u>Environmental/Environmental Health Engineering</u>	CIP:	<u>14.1401</u>
		Track:	<u>1</u>
Offered At:	<u>POLY</u>	Program Length:	<u>120 Cr. Hrs.</u>
	<u>FIU</u>		<u>126</u>
	<u>FGCU, UCF, UF</u>		<u>128</u>

REVISED 2/25/09
 Technical course change 10/23/2013
 Technical 12/12/2018

LOWER LEVEL COURSES

	Cr. Hrs.
MACX311	4
or- MACX281	4
& MACX312	4
or- MACX282	4
& MACX313	4
or- MACX283	4
& MAPX302	3
or- MAPX305	3
& CHMX045/X045L	4
or- CHMX045C	4
or- CHSX440/X440L	
& CHMX046/X046L	4
or- CHMX046C	4
& PHYX048/X048L	4
or- PHYX048C	4
& PHYX049/X049L ⁽¹⁾	4
or- PHYX049C	4
or- PHYX044	
&- PHYX049L	

FOR ALL MAJORS: Students are strongly encouraged to select required lower division electives that will enhance their general education coursework and that will support their intended baccalaureate degree program. Students should consult with an academic advisor in their major degree area.

(1) PHYX049L does not count toward the degree at FIU.

Program:	<u>Exercise Science</u>	CIP:	<u>31.0505</u>
		Track:	<u>1/2</u>
Offered At:	<u>FAU, UNF</u>	Program Length:	<u>120 Cr. Hrs.</u>

Revised 10/24/2012
 Added UNF 4/27/2016
 Technical revision 7/5/2018
 Technical revision 7/20/2018
 Technical 12/11/2018, 3/1/19
 Technical 6/18/2019

LOWER LEVEL COURSES

	Cr. Hrs.
Select from the following:	
or- Take both lecture and lab:	
&- CHMX045/X045L	4
or- CHMX030	
or- CHMX045C	4
&- PSYX012	3
&- Take one of the following:	
or- HUNX201	3
or- HSCX100 ⁽¹⁾	
&- Select from the following:	
or- Take both of the following:	
&- BSCX085/X085L	4
or- Take both of the following:	
&- PETX322/X322L	4
or- APKX100C	4
or- Take both of the following:	
&- BSCX093/X093L	4
or- BSCX085C	4
or- BSCX093C	4
&- Select from the following:	
or- Take both courses:	
&- BSCX086/X086L	4
or- Take both courses:	
&- BSCX094/X094L	4
or- BSCX086C	4
or- PETX323C	4
or- APKX105C	4
&- Select from the following:	
or- STAX023	4
or- MACX147	
&- Select from the following:	
or- MACX105	4
or- MACX140	
or- MACX147	
or- MACX311	
&- HSCX400 ⁽²⁾	
&- SPCX608	3

FOR ALL MAJORS: Students are strongly encouraged to select required lower division electives that will enhance their general education coursework and that will support their intended baccalaureate degree program. Students should consult with an academic advisor in their major degree area.

- (1) HSCX100 is preferred at FAU.
 (2) FAU only requirement.

Program: Exercise Science **CIP:** 31.0505
Track: 2/2
Offered At: FGCU **Program Length:** 120 Cr. Hrs.

NEW 2/25/09
 UF and FSU offers the program in CIP 26.0908, Applied Physiology and Kinesiology.
 Revised 5/26/2010.
 Revised 10/24/2012
 Deleted institution 8/6/2014
 Technical revisions 7/10/2018
 Technical 12/11/2018, 3/1/19

LOWER LEVEL COURSES

	Cr. Hrs.
_____ BSCX085/X085L	4
or_____ PETX322/X322L	4
or_____ BSCX093/X093L	4
or_____ BSCX085C	4
or_____ APKX100C	4
&_____ BSCX086/X086L	4
or_____ BSCX094/X094L	4
or_____ PETX323C	4
or_____ APKX105C	4
&_____ PSYX012	3
&_____ Select from the following:	
or_____ BSCX010C	4
or_____ Take both courses:	
&_____ BSCX010/X010L	4
&_____ Select from the following:	
or_____ BSCX011C	4
or_____ Take both courses:	
&_____ BSCX011/X011L	4
&_____ Select from the following:	
or_____ CHMX045C	4
or_____ Take both courses:	
&_____ CHMX045/X045L	4
&_____ Select from the following:	
or_____ CHMX046C	4
or_____ Take both courses:	
&_____ CHMX046/X046L	4
&_____ HUNX201 ⁽¹⁾	3
&_____ MACX147	4
or_____ MACX311 ⁽²⁾	4
or_____ MACX140	4
&_____ MACX114	4

FOR ALL MAJORS: Students are strongly encouraged to select required lower division electives that will enhance their general education coursework and that will support their intended baccalaureate degree program. Students should consult with an academic advisor in their major degree area.

-
- (1) Only FSU and FGCU require HUNX201
 (2) UF requires MACX311

Program: Exercise Science **CIP:** 13.1314
Track: 2/2
Offered At: UCF, USF* **Program Length:** 120 Cr. Hrs.

New track (transferred CIP for university) 10/24/2012
 The degree program is offered under CIP 31.0505 for FAU, CIP 51.0000 for UNF, and CIP 31.0501 for UWF.
 Comment added 4/11/2013
 REVISED 10/28/15
 Technical revision 7/3/2018
 Technical 12/11/2018

LOWER LEVEL COURSES

	Cr. Hrs.
Take both courses: &- CHMX045/X045L	4
or- CHMX030 or- CHMX045C	4
&- HUNX201 or- HSCX100	3
&- Take both courses: &- BSCX085/X085L	3
or- Take both courses: &- PETX322/X322L	4
or- Take both courses: &- BSCX093/X093L	4
or- APKX100C	4
or- BSCX085C	4
or- BSCX093C	4
&- APKX105C	4
Applied Human Physiology with Lab	
or- Take both courses: &- BSCX086/X086L	4
or- Take both courses: &- BSCX094/X094L	4
or- PETX323C	4
&- STAX023	4
or- MACX147	4
&- MACX105	4
or- MACX140	4
or- MACX147	4
or- MACX311	4
&- SPCX608	3

FOR ALL MAJORS: Students are strongly encouraged to select required lower division electives that will enhance their general education coursework and that will support their intended baccalaureate degree program. Students should consult with an academic advisor in their major degree area.

* Limited Access.

Program:	<u>Family & Consumer Sciences Education</u>	CIP:	<u>13.1308</u>
		Track:	<u>1</u>
Offered At:	<u>FIU, FSU</u>	Program Length:	<u>120 Cr. Hrs.</u>

Both programs are inactive at this time.
 REVISED 2/25/09
 REVISED 10/28/2009
 Footnote deleted and revised 9/13/2016
 Revised Oct. 2017

LOWER LEVEL COURSES

	Cr. Hrs.	
— EDFX005	3	Intro to Education
&— BSCX005	3	
&— CHMX020	3	
&— PSYX012	3	
&— POSX041	3	

FOR ALL MAJORS: Students are strongly encouraged to select required lower division electives that will enhance their general education coursework and that will support their intended baccalaureate degree program. Students should consult with an academic advisor in their major degree area.

FOR EDUCATION MAJORS: General education courses will be determined by the community college or university where the student currently is earning the Associate in Arts or baccalaureate degree, and will be published in the institution's existing catalog and delineated in the Statewide Course Numbering System.

Program: Financial Services

CIP: 52.0803

Track: 1

Offered At: FSCJ

Program Length: 121 Cr. Hrs.

REVISED 10/22/08
REVISED 10/24/12
Technical Revision 717/2018
UNF deleted May 2018
Technical 12/11/2018

LOWER LEVEL COURSES

	Cr. Hrs.	
ACGX021	3	Principles of Financial Accounting
or- ACGX022	3	
or- ACGX001	3	
&- ACGX011	3	
&- ACGX071	2-3	
or- ACGX301	2-3	
&- CGSX100 ⁽¹⁾	3-4	
or- CGSX100C	3-4	
or- CGSX570	3-4	
or- CGSX060	3-4	
or- CGSX531	3-4	
or- CGSX000	3-4	
or- ISMX000	3-4	
&- ECOX013	3	
&- ECOX023	3	
&- STAX023	3-4	
or- STAX122	3-4	
or- QMBX100	3-4	
&- MACX233		

FOR ALL MAJORS: Students are strongly encouraged to select required lower division electives that will enhance their general education coursework and that will support their intended baccalaureate degree program. Students should consult with an academic advisor in their major degree area.

(1) or demonstrated competency

Program: Financial Services **CIP:** 52.0804
Track: 1
Offered At: UNF **Program Length:** 120 Cr. Hrs.

New CIP 5/28/2018
 Technical 12/11/2018

LOWER LEVEL COURSES

	Cr. Hrs.	
Select from the following: or- ACGX021 or- ACGX022 or- Select both courses: &- ACGX001 &- ACGX011	3 3 3	Principles of Financial Accounting Principles of Accounting I Principles of Accounting II
&- Select one of the following: or- ACGX071 or- ACGX301	2-3 2-3	Managerial Accounting I Managerial Accounting I
&- Take one of the following: or- CGSX100 ⁽¹⁾ or- CGSX100C or- CGSX570 or- CGSX060 or- CGSX531 or- CGSX000 or- ISMX000	3-4	Computer Literacy Business
&- ECOX013	3	Principles of Economics Macro
&- ECOX023	3	Principles of Economics Micro
&- Take either course: or- MACX233	3-4	Calculus for Business & Soc Sci I
&- Select one course: or- STAX023 or- STAX122 or- QMBX100	3-4	Statistics

(1) or demonstrated competency

FOR ALL MAJORS: Students are strongly encouraged to select required lower division electives that will enhance their general education coursework and that will support their intended baccalaureate degree program. Students should consult with an academic advisor in their major degree area.

Program:	<u>Fire and Emergency Services</u>	CIP:	<u>43.0203</u>
		Track:	<u>1</u>
Offered At:	<u>UF</u>	Program Length:	<u>120 Cr. Hrs.</u>

REVISED 5/27/09

Technical Change 4/16/2019

LOWER LEVEL COURSES

FOR ALL MAJORS: Students are strongly encouraged to select required lower division electives that will enhance their general education coursework and that will support their intended baccalaureate degree program. Students should consult with an academic advisor in their major degree area.

The Fire and Emergency Services baccalaureate degree is designed to build on the student's experience in the fire [FES] service and to add the academic substance to prepare graduates to lead public or private sector fire and emergency service units. Students must have a basic understanding of FES and are required to have experience in a fire, EMS, or emergency management agency. Appropriate FES certifications are also necessary for admission.

There are no specified common prerequisites for this major. All Florida College System students are encouraged to complete the Associate degree. Students should consult with an academic advisor in their major degree area at the intended transfer institution.

Program:	<u>Food Science & Technology</u>	CIP:	<u>01.1001</u>
	<u>Food Science</u>	Track:	<u>1/2</u>
Offered At:	<u>UF</u>	Program Length:	<u>120 Cr. Hrs.</u>

REVISED 2/25/09
 Technical revision 7/5/2018
 Technical 12/11/2018

LOWER LEVEL COURSES

	Cr. Hrs.
_____ BSCX010/X010L	4
or- BSCX010C	4
or- BOTX010/X010L	4
or- BOTX010C	4
or- ZOOX010/X010L	4
or- ZOOX010C	4
& _____ BSCX011/X011L	4
or- BSCX011C	4
or- BOTX011/X011L	4
or- BOTX011C	4
& _____ CHMX045/X045L	4
or- CHMX045C	4
or- CHMX040	
&- CHMX041	
&- CHMX045L	
& _____ CHMX046/X046L	4
or- CHMX046C	4
& _____ ECOX013	3
or- ECOX023	3
& _____ PHYX004/X004L	4
or- PHYX053C	4
& _____ STAX023	3
or- STAX014	3
or- STAX122	3
&- MACX311 ⁽¹⁾	4

FOR ALL MAJORS: Students are strongly encouraged to select required lower division electives that will enhance their general education coursework and that will support their intended baccalaureate degree program. Students should consult with an academic advisor in their major degree area.

 Students MUST achieve a 2.5 GPA or better in all of the above science and math courses.

Program: Food Science & Technology
Nutritional Sciences
Offered At: UF

CIP: 01.1001
Track: 2/2
Program Length: 120 Cr. Hrs.

REVISED 2/25/09
 Technical revision 7/5/2018
 Technical 12/11/2018

LOWER LEVEL COURSES

	Cr. Hrs.
BSCX010/X010L	4
or- BSCX010C	4
or- BOTX010/X010L	4
or- BOTX010C	4
or- ZOOX010/X010L	4
or- ZOOX010C	4
& BSCX011/X011L	4
or- BSCX011C	4
or- BOTX011/X011L	4
or- BOTX011C	4
& CHMX045/X045L	4
or- CHMX045C	4
or- CHMX040	4
&- CHMX041	4
&- CHMX045L	4
& CHMX046/X046L	4
or- CHMX046C	4
& ECOX023	3
or- ECOX013	3
& STAX023	3
or- STAX014	3
or- STAX122	3
&- MACX311 ⁽¹⁾	4

FOR ALL MAJORS: Students are strongly encouraged to select required lower division electives that will enhance their general education coursework and that will support their intended baccalaureate degree program. Students should consult with an academic advisor in their major degree area.

 Students MUST achieve a 2.5 GPA or better in all of the above science and math courses.

Program:	<u>Foreign Language, Multiple</u>	CIP:	<u>16.0101</u>
		Track:	<u>1</u>
Offered At:	<u>UCF, USF</u>	Program Length:	<u>120 Cr. Hrs.</u>
	<u>NCF</u>		<u>124</u>

REVISED 5/27/09

USFSP program is a BA in World Languages and Cultures.

Added campus and note 5/22/2013

REVISED 10/28/15; Technical 9/25/2019

Revised 4/8/2019 to reflect the same curriculum being offered at both the USF Tampa and USF St. Petersburg campus.

LOWER LEVEL COURSES

----- XXXXXXXX (1)	Cr. Hrs.
	6-12

FOR ALL MAJORS: Students are strongly encouraged to select required lower division electives that will enhance their general education coursework and that will support their intended baccalaureate degree program. Students should consult with an academic advisor in their major degree area.

 (1) Must demonstrate proficiency by testing or completion of a foreign language through the intermediate level. PLEASE NOTE: It is recommended that the student take the required for degree courses at the lower division, although the courses are not required for entry into the program.

NOTE: Native or heritage speakers or other persons with experience in a foreign language may qualify for a higher level language course, or exempt course(s) entirely. Please see the university to ensure proper advising and placement.

NOTE: NCF offers a degree program within this CIP. However, due to the unique course organization, these common prerequisites do not apply.

Program: Forensic Science
Offered At: FGCU
UCF

CIP: 43.0106
Track: 1
Program Length: 120 Cr. Hrs.
128

REVISED 5/27/09
 Revised February 2017
 Corrected PHYX048 typo 8/7/2018
 Technical 3/1/19
 Technical 6/18/2019

LOWER LEVEL COURSES

	Cr. Hrs.
— BSCX010C	4
or— BSCX010/X010L	4
&— — CHMX045/X045L	4
or— CHMX040	3
&— CHMX041	3
or— CHMX045C	4
&— — CHMX046/X046L	4
or— CHMX046C	4
&— — MACX311	4
&— MACX312	4
&— — CHMX210/X210L	
&— CHMX211/X211L	
or— CHMX210C	4
&— CHMX211C	4
&— Select from the following:	
or— PHYX048C	4
&— PHYX049C	4
or— PHYX048/X048L	4
&— PHYX049/X049L	4
or— Take all of the following:	
&— PHYX053C	4
&— PHYX054C	4
or— Take all of the following:	
&— PHYX053/X053L	4
&— PHYX054	3
&— PHYX053L	1
&— STAX023	3

(Please see notes in the following page)

(Continues from previous page)

FOR ALL MAJORS: Students are strongly encouraged to select required lower division electives that will enhance their general education coursework and that will support their intended baccalaureate degree program. Students should consult with an academic advisor in their major degree area.

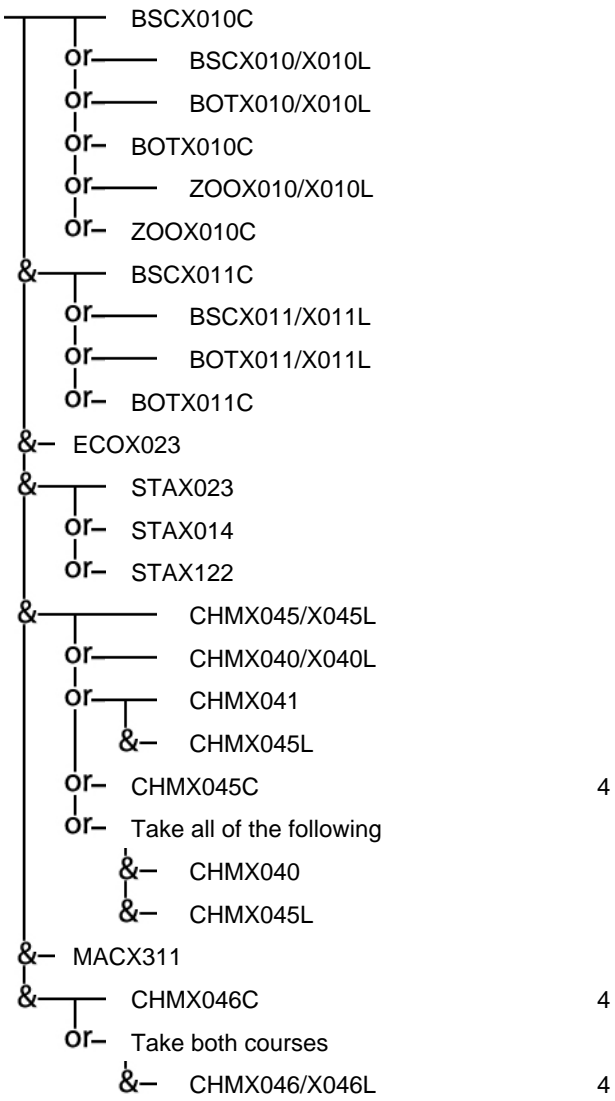
NOTE: FGCU requires a C or better on all common prerequisites.

Program:	<u>Forest Resources & Conservation</u>	CIP:	<u>03.0501</u>
	<u>Wildlife Ecology & Conservation</u>	Track:	<u>1/2</u>
Offered At:	<u>UF</u>	Program Length:	<u>120 Cr. Hrs.</u>

REVISED 10/28/2009
 Technical revision 7/5/2018
 Technical Change 1/23/2019
 Technical change 9/23/2019

LOWER LEVEL COURSES

Cr. Hrs.



UF has a Wildlife Ecology/Wildlife Conservation and a Preprofessional, Biology Education track within Wildlife Ecology & Conservation.

(1) This course is only a requirement for the Preprofessional, Biology Education track.

FOR ALL MAJORS: Students are strongly encouraged to select lower division electives that will enhance their general education coursework and that will support their intended baccalaureate degree program. Consult with an academic advisor in your major degree area.

Program:	<u>French</u>	CIP:	<u>16.0901</u>
		Track:	<u>1</u>
Offered At:	<u>FIU, FSU, UCF</u>	Program Length:	<u>120 Cr. Hrs.</u>

REVISED 5/27/09
 REVISED 10/28/2009
 Deleted university 5/25/2011
 Technical revisions 7/3/2018
 Terminated UF fall 2018
 Course information moved up and comment adjusted 4/30/2019

LOWER LEVEL COURSES

— FREX220 (1)	Cr. Hrs.
	3

FOR ALL MAJORS: Students are strongly encouraged to select required lower division electives that will enhance their general education coursework and that will support their intended baccalaureate degree program. Students should consult with an academic advisor in their major degree area.

-
- (1) Must demonstrate proficiency by testing or completion of a foreign language through the intermediate level. The intermediate level is FREX220 or equivalent. Depending upon where a student begins in his or her language skills will determine if any courses need to be taken prior to the one listed above. See Institution for details.

NOTE: Native or heritage speakers or other persons with experience in a foreign language may qualify for a higher level language course, or exempt course(s) entirely. Please see the university to ensure proper advising and placement.

NOTE: Some institutions require a minimum grade in the language courses. Please check with the institution.

Program:	<u>French and Francophone Studies</u>	CIP:	<u>05.0124</u>
		Track:	<u>1</u>
Offered At:	<u>FSU, UNF</u>	Program Length:	<u>120 Cr. Hrs.</u>

REVISED 5/27/09

Technical revision 7/3/2018

LOWER LEVEL COURSES

There are no specified common prerequisites for this major. All Florida College System students are encouraged to complete the Associate degree. Students should consult with an academic advisor in their major degree area at the intended transfer institution.

- (1) Must demonstrate proficiency by testing or completion of intermediate level of French.

Program:	<u>General Studies</u>	CIP:	<u>24.0106</u>
		Track:	<u>1</u>
Offered At:	<u>USF</u>	Program Length:	<u>120 Cr. Hrs.</u>

New CIP 10/24/2012

Modified name 5/22/2013

Technical revisions 7/3/2018

LOWER LEVEL COURSES

There are no specified common prerequisites for this major. All Florida College System students are encouraged to complete the Associate degree. Students should consult with an academic advisor in their major degree area at the intended transfer institution.

Program:	<u>Geography</u>	CIP:	<u>45.0701</u>
		Track:	<u>1</u>
Offered At:	<u>FAU, FIU, FSU, UF, USF</u>	Program Length:	<u>120 Cr. Hrs.</u>

REVISED 2/25/09

Added university 4/11/2013

Revised 4/8/19 to reflect the same curriculum being offered at the USF Tampa and USF St. Petersburg campus.

Revised 9/25/2019

LOWER LEVEL COURSES

	Cr. Hrs.
— GEOXXXX (1)	3
&— GEOXXXX (1)	3

FOR ALL MAJORS: Students are strongly encouraged to select required lower division electives that will enhance their general education coursework and that will support their intended baccalaureate degree program. Students should consult with an academic advisor in their major degree area.

- (1) Two introductory courses in Geography with GEO prefix.

Program: Geology

CIP: 40.0601

Track: 1/2

Offered At: FAU, FIU, FSU, UF, USF

Program Length: 120 Cr. Hrs.

REVISED 5/27/09
REVISED 10/28/2009
Revised 2/24/2010
Provided corrected revision 10/27/2011
Technical revision 7/18/2018
Technical 12/11/2018
Technical Change 4/16/2019

LOWER LEVEL COURSES

	Cr. Hrs.
CHMX045/X045L	4
or	
CHMX040	3
&	
CHMX041	3
or	
CHMX045C	4
&	
CHMX046/X046L	4
or	
CHMX046C	4
&	
MACX311	4
or	
MACX281	4
&	
GLYX010C	4
or	
GLYX010/X010L	4
&	
PHYX048C ⁽¹⁾	4
&	
PHYX049C	4
or	
PHYX048/X048L	4
&	
PHYX049/X049L	4
or	
Take all of the following:	
&	
PHYX053C	4
&	
PHYX054C	4

FOR ALL MAJORS: Students are strongly encouraged to select required lower division electives that will enhance their general education coursework and that will support their intended baccalaureate degree program. Students should consult with an academic advisor in their major degree area.

(1) The choice of Physics sequence depends on the area of Geology specialization.

Historical Geology STRONGLY recommended.

Program:	<u>Geology</u>	CIP:	<u>40.0601</u>
	<u>Earth Science Teacher Education</u>	Track:	<u>2/2</u>
Offered At:	<u>FIU</u>	Program Length:	<u>120 Cr. Hrs.</u>

New 2/24/2010
 Corrected 10/27/2011
 Technical 12/11/2018
 Technical Change 4/16/2019

LOWER LEVEL COURSES

	Cr. Hrs.
CHMX045/X045L	4
or- CHMX040	3
&- CHMX041	3
or- CHMX045C	4
&- CHMX046/X046L	4
or- CHMX046C	4
&- MACX311	4
or- MACX281	4
&- GLYX010C	4
or- GLYX010/X010L	4
&- PHYX048C ⁽¹⁾	4
&- PHYX049C	4
or- PHYX048/X048L	4
&- PHYX049/X049L	4
or- Take all of the following	
&- PHYX053C	4
&- PHYX054C	4

FOR ALL MAJORS: Students are strongly encouraged to select required lower division electives that will enhance their general education coursework and that will support their intended baccalaureate degree program. Students should consult with an academic advisor in their major degree area.

 (1) The choice of Physics sequence depends on the area of Geology specialization.

Historical Geology STRONGLY recommended.

Program: Geomatics Engineering

CIP: 14.3801

Track: 1

Offered At: FAU

Program Length: 120 Cr. Hrs.

NEW 2/25/09

Technical course change 10/23/2013

Technical revision 7/3/2018

LOWER LEVEL COURSES

	Cr. Hrs.
MACX311	4
or- MACX281	4
& MACX312	4
or- MACX282	4
& MACX313	4
or- MACX283	4
& MAPX302	3
or- MAPX305	3
& CHMX045/X045L	4
or- CHMX045C	4
or- CHSX440/X440L	
& PHYX048/X048L	4
or- PHYX048C	4
& PHYX049/X049L	4
or- PHYX049C	4
or- PHYX044	
& PHYX049L	

FOR ALL MAJORS: Students are strongly encouraged to select required lower division electives that will enhance their general education coursework and that will support their intended baccalaureate degree program. Students should consult with an academic advisor in their major degree area.

Program:	<u>Geoscience</u>	CIP:	<u>40.0699</u>
	<u>Geology Focus</u>	Track:	<u>1/3</u>
Offered At:	<u>FAU</u>	Program Length:	<u>120 Cr. Hrs.</u>

Approved 5/28/2018

LOWER LEVEL COURSES

	Cr. Hrs.	
Select from the following: or- CHMX045C or- Take both courses: &- CHMX045/X045L &- MACX311 &- Select from the following: or- GLYX010C or- Take both courses: &- GLYX010/X010L &- Select from the following or- PHYX048C or- Take both courses: &- PHYX048/X048L &- STAX023	4 4 4 4 4 4 3	General Chemistry I and Lab Calculus I Introductory Geology and lab General Physics with Calculus I and lab Introductory Statistics

FOR ALL MAJORS: Students are strongly encouraged to select required lower division electives that will enhance their general education coursework and that will support their intended baccalaureate degree program. Students should consult with an academic advisor in their major degree area.

Program:	<u>Geosciences</u>	CIP:	<u>40.0401</u>
	<u>FSU-Teach</u>	Track:	<u>2/2</u>
Offered At:	<u>FSU</u>	Program Length:	<u>120 Cr. Hrs.</u>

REVISED 5/27/09

LOWER LEVEL COURSES

	Cr. Hrs.
MACX311	4
&- MACX312	4
&- PHYX048/X048L	4
&- PHYX049/X049L	4
or- PHYX048C	4
&- PHYX049C	4
&- CHMX045/X045L	4
&- CHMX046/X046L	4
or- Take all of the following	
&- CHMX045C	4
&- CHMX046C	4
&- SMTX043 ⁽¹⁾	1
&- SMTX053 ⁽¹⁾	1

FOR ALL MAJORS: Students are strongly encouraged to select required lower division electives that will enhance their general education coursework and that will support their intended baccalaureate degree program. Students should consult with an academic advisor in their major degree area.

- (1) Transfer students will be able to take SMTX043 and STMX053 when admitted to upper division.

Program:	<u>German Language and Literature</u>	CIP:	<u>16.0501</u>
		Track:	<u>1</u>
Offered At:	<u>FSU</u>	Program Length:	<u>120 Cr. Hrs.</u>

REVISED 5/27/09
Deleted university 10/24/2012
UF and USF terminated fall 2018.

LOWER LEVEL COURSES

— GERX220 (1)	Cr. Hrs.
	3

FOR ALL MAJORS: Students are strongly encouraged to select required lower division electives that will enhance their general education coursework and that will support their intended baccalaureate degree program. Students should consult with an academic advisor in their major degree area.

-
- (1) Complete the course or equivalent or higher proficiency or demonstrate proficiency by testing.
- Native or heritage speakers or other persons with experience in a foreign language may qualify for a higher level language course, or exempt course(s) entirely. Please see the university to ensure proper advising and placement.
- Some institutions require a minimum grade in the language courses. Please check with the institution.

Program: Gerontology **CIP:** 30.1101
Track: 1
Offered At: USF **Program Length:** 120 Cr. Hrs.

REVISED 5/27/09
 Technical revision 7/5/2018
 Technical 12/11/2018

LOWER LEVEL COURSES

	Cr. Hrs.
— STAX122	3
or- QMBX150	3
or- STAX014	3
or- STAX023	3
or- STAX024	3
or- QMBX100	3

FOR ALL MAJORS: Students are strongly encouraged to select required lower division electives that will enhance their general education coursework and that will support their intended baccalaureate degree program. Students should consult with an academic advisor in their major degree area.

Program: Graphic Design **CIP:** 50.0409
Track: 1
Offered At: FAMU, UF*, USF **Program Length:** 120 Cr. Hrs.

Campus added 10/24/2012

Removed campus. Added limited access. 5/22/2013

REVISED 4/4/14

REVISED 10/28/15

Revised 4/8/2019. Curriculum being offered at USF St. Petersburg campus.

Technical 6/18/2019; 9/25/2019

LOWER LEVEL COURSES

	Cr. Hrs.
ARTX300	3
&- ARTX201	3
& ARTX300	3
or- DIGX000	3
or- ARTX602	3
or- GRAX143C	3
or- ARTX600	3
& ARTX201	3
or- ARHX053	3
or- ARHX051	3
or- ARHXXX	3
& ARTX301	3
or- ARTX203	3
or- PGYX101	3
or- ARTX330C	3
or- PGYX401	3
& GRAX111	3
or- GRAX190	3
& GRAXXXX	3
or- GRAX208	3
or- DIGX025	3

FOR ALL MAJORS: Students are strongly encouraged to select required lower division electives that will enhance their general education coursework and that will support their intended baccalaureate degree program. Students should consult with an academic advisor in their major degree area.

* Limited Access.

Program:	<u>Greek</u>	CIP:	<u>16.1202</u>
		Track:	<u>1</u>
Offered At:	<u>FSU</u>	Program Length:	<u>120 Cr. Hrs.</u>

REVISED 5/27/09

LOWER LEVEL COURSES

— GREX220 (1)	Cr. Hrs.
	4

FOR ALL MAJORS: Students are strongly encouraged to select required lower division electives that will enhance their general education coursework and that will support their intended baccalaureate degree program. Students should consult with an academic advisor in their major degree area.

-
- (1) Complete the course or equivalent or higher proficiency or demonstrate proficiency by testing.

NOTE: Native or heritage speakers or other persons with experience in a foreign language may qualify for a higher level language course, or exempt course(s) entirely. Please see the university to ensure proper advising and placement.

NOTE: Some institutions require a minimum grade in the language courses. Please check with the institution.

Program: Health Information Management **CIP:** 51.0706
Offered At: FAMU, UCF* **Track:** 1
Program Length: 120 Cr. Hrs.

REVIEWED - NO CHANGE 5/27/09
 REVISED 10/28/2009

LOWER LEVEL COURSES

	Cr. Hrs.
— ACGX021	3
&— ACGX071	3
&— BSCX085	4
&— BSCX086	4
&— CGSXXXX	3
&— STAXXXX	3

FOR ALL MAJORS: Students are strongly encouraged to select required lower division electives that will enhance their general education coursework and that will support their intended baccalaureate degree program. Students should consult with an academic advisor in their major degree area.

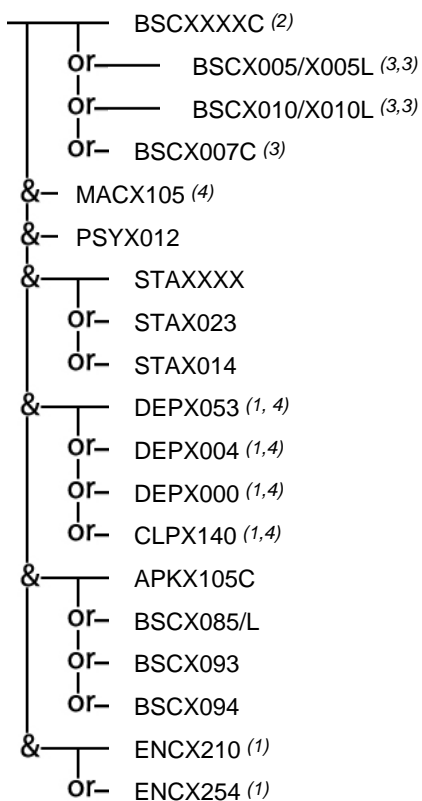
* Limited Access.

Program:	<u>Health Science</u>	CIP:	<u>51.0000</u>
		Track:	<u>1/7</u>
Offered At:	<u>FAU, UF*, USF, UWF</u>	Program Length:	<u>120 Cr. Hrs.</u>

Added university 10/24/2012
 Added university 5/22/2013
 Add technical footnote 10/23/2013
 REVISED 10/28/15
 Revised May 2017.
 Technical revision 7/19/2018
 Revised 4/8/2019 to reflect the same curriculum being offered at both the USF Tampa and USF St. Petersburg campus.
 Technical 6/18/2019; 9/25/2019

LOWER LEVEL COURSES

Cr. Hrs.



FOR ALL MAJORS: Students are strongly encouraged to select required lower division electives that will enhance their general education coursework and that will support their intended baccalaureate degree program. Students should consult with an academic advisor in their major degree area.

-
- (1) Not required by UWF.
 - (2) BSCXXXX (i.e., any BSC) course is not accepted at UF.
 - (3) Lab is not required at UF.
NOTE: UF has both General Health Sciences and Rehabilitative Services tracks.
 - (4) Not required by UF
 - * Limited Access.

Program:	<u>Health Science</u>	CIP:	<u>51.0000</u>
	<u>Concentration in Physician Assistant Studies</u>	Track:	<u>2/7</u>
Offered At:	<u>MDC</u>	Program Length:	<u>130 Cr. Hrs.</u>

NEW 10/28/2009

LOWER LEVEL COURSES

Cr. Hrs.

— Please see the note below:

Admission to Bachelor of Applied Science (BAS) degree programs usually requires an Associate in Science (AS) or Associate in Applied Science (AAS) degree in related area. If a student has earned an Associate in Arts (AA) degree, or an AS degree, an AAS degree or its equivalent in an unrelated area, the student may be admitted on a case-by-case basis with approval of the appropriate academic administrator. Some majors may have licensure or other types of requirements prior to admittance. Due to the variance in specialized BAS degree programs and concentrations, students are strongly encouraged to consult with an academic advisor at the BAS degree-granting institution.

FOR ALL MAJORS: Students are strongly encouraged to select lower division electives that will enhance their general education coursework and that will support their intended baccalaureate degree program. Consult with an academic advisor in your degree area.

Program:	<u>Health Science</u>	CIP:	<u>51.0000</u>
	<u>Health Sciences/Pre-Physical Therapy</u>	Track:	<u>3/7</u>
Offered At:	<u>FAMU, UCF</u>	Program Length:	<u>120 Cr. Hrs.</u>

REVISED 10/28/2009
 Revised May 2017.
 Slight track name change Feb 2018
 Technical change 7/24/2018
 Technical 6/14/2019

LOWER LEVEL COURSES

Cr. Hrs.

- Select from the following
 - Or— Take all courses:
 - &— BSCX010/X010L
 - &— BSCX011/X011L
 - Or— Take all courses:
 - &— BSCX010C
 - &— BSCX011C
- &— Select one of the following:
 - Or— STAX023
- &— Select from the following
 - Or— Take all courses:
 - &— BSCX093/X093L
 - &— BSCX094/X094L
 - Or— Take both courses:
 - &— BSCX093C
 - &— BSCX094C
 - Or— Take all courses:
 - &— ZOOX733/X733L
 - &— PCBX703/X703L
 - Or— Take all of the courses:
 - &— BSCX085C
 - &— BSCX086C
 - Or—
 - BSCX085/L
 - &— BSCX086/L
- &— Select from the following
 - Or— Take all courses:
 - &— CHMX045/X045L
 - &— CHMX046/X046L
 - Or— Take both courses:
 - &— CHMX045C
 - &— CHMX046C
- &— Select from the following
 - Or— Take all courses:
 - &— PHYX053
 - &— PHYX048L
 - &— PHYX054
 - &— PHYX049L
 - Or— Take all courses:
 - &— PHYX048/X048L
 - &— PHYX049/X049L
- &— PSYX012
- &— Select one of the following: ⁽¹⁾
 - Or— MACX114
 - Or— MACX114C

(1) This course is only a prerequisite requirement/alternative for UCF Health Sciences.
 FOR ALL MAJORS: Students are strongly encouraged to select lower division electives that will enhance their general education coursework and that will support their intended baccalaureate degree program. Consult with an academic advisor in your major degree area.
 NOTE: Grade "C" or higher is required for common prerequisite coursework.

Program:	<u>Health Science</u>	CIP:	<u>51.0000</u>
	<u>Pre-Occupational Therapy</u>	Track:	<u>4/7</u>
Offered At:	<u>FAMU, UF</u>	Program Length:	<u>120 Cr. Hrs.</u>

REVISED: 10/28/2009
 Technical revision 7/5/2018
 Revised 11/26/2018

LOWER LEVEL COURSES

Cr. Hrs.

- Select from the following:
 - or— Take both courses:
 - &— BSCX010/X010L
 - or— BSCX010C
 - or— Take both courses:
 - &— BSCX005/X005L
 - or— BSCX005C
- &— Select from the following:
 - or— ANTX000
 - or— SYGX000
- &— Select from the following:
 - or— STAX023
 - or— STAX122
- &— Select from the following
 - or— Take all courses:
 - &— BSCX093/X093L
 - &— BSCX094/X094L
 - or— Take all courses:
 - &— BSCX093C
 - &— BSCX094C
 - or— Take all of the following:
 - &— ZOOX733/X733L
 - &— PCBX703/X703L
 - or— Take all courses:
 - &— BSCX084
 - &— BSCX085L
 - &— BSCX086/X086L
 - or— Take both courses:
 - &— BSCX085C
 - &— BSCX086C
 - or— Take both courses:
 - &— APKX100C
 - &— APKX105C
- &— PSYX012
- &— Select from the following:
 - or— DEPX004
 - or— DEPX053
 - or— CLPX140
 - or— CLPX143
 - or— CLPX144

NOTE: A grade of C or higher is required for all common prerequisite courses.
 FOR ALL MAJORS: Students are strongly encouraged to select lower division electives that will enhance their general education coursework and that will support their intended baccalaureate degree program. Consult with an academic advisor in your major degree area.

Program:	<u>Health Science</u>	CIP:	<u>51.0000</u>
		Track:	<u>5/7</u>
Offered At:	<u>FGCU, SSCF, UNF</u>	Program Length:	<u>120 Cr. Hrs.</u>

SSCF - BS Health Sciences
REVISED 10/28/15
Technical revision 7/18/2018
Technical Revision 9/25/2018
Technical 8/23/2019; 10/2/2019

LOWER LEVEL COURSES

There are no specified common prerequisites for this major. All Florida College System students are encouraged to complete the Associate degree. Students should consult with an academic advisor in their major degree area at the intended transfer institution.

Program:	<u>Health Science</u>	CIP:	<u>51.0000</u>
	<u>Community Health</u>	Track:	<u>6/7</u>
Offered At:	<u>UNF*</u>	Program Length:	<u>120 Cr. Hrs.</u>

REVISED 10/28/15
 Technical revision 9/25/2018

LOWER LEVEL COURSES

	Cr. Hrs.
BSCX093C (1)	4
&- BSCX094C (2)	4
&- CHMX045C (3)	4
&- MCBX013C (4)	4
&- PSYX012	3
&- MACX105	3
&- STAXXXX	3

(1) Or any Human Anatomy & Physiology I and Lab

(2) Or any Human Anatomy & Physiology II and lab

(3) CHM must be a general Chemistry

(4) or any Microbiology and lab

FOR ALL MAJORS: Students are strongly encouraged to select lower division electives that will enhance their general education coursework and that will support their intended baccalaureate degree program. Consult with an academic advisor in your major degree area.

* Limited Access.

Program:	<u>Health Science</u>	CIP:	<u>51.0000</u>
	<u>Interdisciplinary Medical Science</u>	Track:	<u>7/7</u>
Offered At:	<u>FSU</u>	Program Length:	<u>120 Cr. Hrs.</u>

New program February 2017
 Technical 6/18/2019

LOWER LEVEL COURSES

	Cr. Hrs.
— Select from the following:	
Or- BSCX010C	4
Or- Take both courses	
&- BSCX005/X005L	4
Or- BSCX007C	
&- MACX114	
&- PSYX012	3
&- ENCX101	3
&- Take both courses	
&- CHMX045/X045L	4
&- Take both courses	
&- CHMX046	3
&- CHMX046L	1

FOR ALL MAJORS: Students are strongly encouraged to select required lower division electives that will enhance their general education coursework and that will support their intended baccalaureate degree program. Students should consult with an academic advisor in their major degree area.

Program:	Health Services Administration (BAS), Applied Health Sciences (BAS)	CIP:	51.2211
		Track:	1
Offered At:	EFSC, SPC	Program Length:	120 Cr. Hrs.

Revised 10/28/09
 REVISED 4/4/14
 Technical Change 4/16/2019

LOWER LEVEL COURSES

FOR ALL MAJORS: Students are strongly encouraged to select required lower division electives that will enhance their general education coursework and that will support their intended baccalaureate degree program. Students should consult with an academic advisor in their major degree area.

There are no specified common prerequisites for this major. All Florida College System students are encouraged to complete the Associate degree. Students should consult with an academic advisor in their major degree area at the intended transfer institution.

Program: Health Services Administration

Offered At: FAMU, FAU, FGCU, FIU*, IRSC, SCFMS, SFC,
UCF, UNF, USF

CIP: 51.0701

Track: 1

Program Length: 120 Cr. Hrs.

SCFMS degree program is a B.A.S. degree.
 REVISED 10/23/13
 REVISED 10/28/15

LOWER LEVEL COURSES

	Cr. Hrs.
ACGX021	3
or- ACGX024	3
or- ACGX001	3
&- ACGX011	3
&- ACGX071	3
or- ACGX301	3
&- ECOX023	3
&- CGSX061	3
or- CGSX100	3
or- ISMX000	3
&- STAX023	3

FOR ALL MAJORS: Students are strongly encouraged to select required lower division electives that will enhance their general education coursework and that will support their intended baccalaureate degree program. Students should consult with an academic advisor in their major degree area.

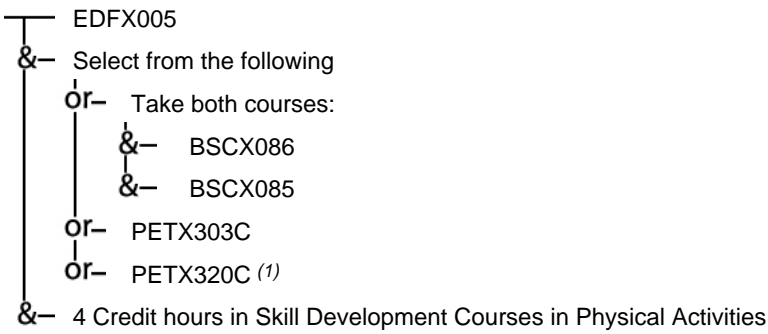
* Limited Access.

Program:	<u>Health and Physical Education, General</u>	CIP:	<u>31.0501</u>
	<u>Physical Education</u>	Track:	<u>1/3</u>
Offered At:	<u>FAMU, UWF*</u>	Program Length:	<u>120 Cr. Hrs.</u>

FAMU, FIU, FSU, UF, UNF, and USF offer this degree area in CIP 13.1344.
 NEW 10/28/2009
 Track change 4/20/2014
 Modified May 2014
 Footnote deleted and revised 9/13/2016
 Revised Oct. 2017
 Technical 12/11/2018

LOWER LEVEL COURSES

Cr. Hrs.



FOR ALL MAJORS: Students are strongly encouraged to select lower division electives that will enhance their general education coursework and that will support their intended baccalaureate degree program. Consult with an academic advisor in your major degree area.

FOR EDUCATION MAJORS: General education courses will be determined by the Florida College System institution or university where the student currently is earning the Associate in Arts or baccalaureate degree, and will be published in the institution's existing catalog and in the Community College Counseling Manual.

(1) Students may be required to take BSCX005 as a course prerequisite for PETX320C.

* Limited Access.

Program:	<u>Health and Physical Education, General</u>	CIP:	<u>31.0501</u>
	<u>Exercise Science</u>	Track:	<u>2/3</u>
Offered At:	<u>UWF</u>	Program Length:	<u>120 Cr. Hrs.</u>

FAU, FGCU, UNF, USF offer the program in CIP 31.0505 or 13.1314.
 NEW 10/28/2009
 Revised 10/24/2012
 New track change 4/20/2014
 Technical revisions 7/10/2018
 Technical revision 7/20/2018
 Technical 12/11/2018

LOWER LEVEL COURSES

	Cr. Hrs.
— Select from the following:	
Or— Take both courses:	
&— CHMX045/X045L	
Or— CHMX030	
Or— CHMX045C	4
&— PSYX012	
&— Select one of the following:	
Or— HUNX201	
Or— HSCX100 ⁽¹⁾	
&— Select one of the following:	
Or— Select both courses:	
&— BSCX085/X085L	
Or— Select both courses:	
&— PETX322/X322L	
Or— APKX100C	
Or— BSCX093/X093L	
Or— BSCX085C	4
Or— BSCX093C	
&— Select one of the following:	
Or— Select both of the following:	
&— BSCX086/X086L	
Or— BSCX094/X094L	
Or— BSCX086C	4
Or— PETX323C	4
Or— APKX105C	4
Or— BSCX094C	4
&— Select one of the following:	
Or— STAX023	
Or— MACX147	
&— Select one of the following:	
Or— MACX105	
Or— MACX147	
Or— MACX147	
Or— MACX311	
&— HSCX400 ⁽²⁾	
&— SPCX608	

FOR ALL MAJORS: Students are strongly encouraged to select lower division electives that will enhance their general education coursework and that will support their intended baccalaureate degree program. Consult with an academic advisor in your major degree area.

- (1) HSCX100 is preferred at FAU.
 (2) FAU only requirement.

Program:	<u>Health and Physical Education, General</u>	CIP:	<u>31.0501</u>
	<u>Health, Leisure, and Fitness Studies</u>	Track:	<u>3/3</u>
Offered At:	<u>FAMU</u>	Program Length:	<u>120 Cr. Hrs.</u>

New track May 2014
Technical revision 7/5/2018
Technical 12/11/2018

LOWER LEVEL COURSES

There are no specified common prerequisites for this major. All Florida College System students are encouraged to complete the Associate degree. Students should consult with an academic advisor in their major degree area at the intended transfer institution.

Program: Hispanic & Latin American Languages, Literature and Linguistics

CIP: 16.0908

Track: 1

Offered At: UF

Program Length: 120 Cr. Hrs.

New 10/24/2018
Technical 6/18/2019

LOWER LEVEL COURSES

Cr. Hrs.

— Select one of the following groups of common prerequisites based on desired degree focus:

- or- Select from the following: ⁽¹⁾
 - or- PORX131 4-5 Beginning Portuguese 2
 - or- PORX010
 - or- PORX121
 - or- PORX220
- or- Select from the following: ⁽²⁾
 - or- SPNX201 3-4 Intermediate Spanish 2
 - or- SPNX220
- or- Select from the following: ⁽³⁾
 - &- Take either course:
 - or- SPNX202C 3-4
 - or- SPNX220
 - &- Take one of the following:
 - or- PORX131 4-5
 - or- PORX010
 - or- PORX121

- (1) Common prerequisite for students interested in the Portuguese track of the B.A. degree program. Prerequisite requirement may also be met by demonstrated proficiency in another Romance language. The prerequisites may also be met by completing an equivalent or higher level course.
- (2) Common prerequisite for students interested in the Spanish track of the B.A. degree program. Students may also meet this requirement by providing SAT2, International Baccalaureate, Advanced Placement, LEP or other recognized test scores resulting in demonstration of proficiency. The prerequisites may also be met by completing an equivalent or higher level course.
- (3) Common prerequisites for students interested in the Combined Track of the B.A. degree program. Advanced Placement, CLEP or other recognized test scores or completion of an equivalent or higher level course may also result in demonstrated proficiency.

Program:	<u>History</u>	CIP:	<u>54.0101</u>
		Track:	<u>1</u>
Offered At:	<u>FAMU, FAU, FGCU, FIU, FSU, UCF, UF, UNF, USF, UWF</u>	Program Length:	<u>120 Cr. Hrs.</u>

REVISED 10/22/08
 Revised 5/26/2010
 Added campus 10/24/2012
 Added campus 5/22/2013
 Revised 4/8/19 to reflect the same curriculum at USF on all campuses.
 Technical 9/25/2019

LOWER LEVEL COURSES

	Cr. Hrs.
AFHXXXX	3
or- AMHXXXX	3
or- EUHXXXX	3
or- WOHXXXX	3
or- LAHXXXX	3
or- ASHXXXX	3
or- HISXXXX	3
& AMHXXXX	3
or- EUHXXXX	3
or- WOHXXXX	3
or- LAHXXXX	3
or- AFHXXXX	3
or- ASHXXXX	3
or- HISXXXX	3

FOR ALL MAJORS: Students are strongly encouraged to select required lower division electives that will enhance their general education coursework and that will support their intended baccalaureate degree program. Students should consult with an academic advisor in their major degree area.

USFSP, USFSM offering removed 4/8/19

Program:	<u>Honors College</u>	CIP:	<u>24.0199</u>
	<u>NCF</u>	Track:	<u>1/2</u>
Offered At:	<u>NCF*</u>	Program Length:	<u>124 Cr. Hrs.</u>

REVISED 9/15/03

NOTE: NCF does not utilize credit hours.

REVISED 10/28/09

Technical revision 7/18/2018

LOWER LEVEL COURSES

The New College Registrar's Office evaluates transfer credit on behalf of the new College Faculty. Arts and sciences courses completed with a grade of 'C' or above, and consistent with New College's transfer credit policy (<http://www.ncf.edu/campus-directory/academic-offices/registrar/policies--procedures/transfer-credit-policy>) will be accepted for transfer and applied toward completion of semesters required for graduation. Pre-professional or vocational courses are not usually transferable.

New College grants transfer credit only for coursework done at an accredited postsecondary degree-granting college or university. New College graduation requirements are defined in terms of contracts (7 required), Independent Study Projects (ISPs) (3 required), and thesis or senior project completed, rather than in credit hours. Transfer credits for contracts and ISPs are calculated from courses transferred corresponding to the information below:

Number of Semester Credit Hours Accepted for Transfer : Contracts and ISPs Credited Toward New College Graduation

Fewer than 16 : None

16-19 : 1 Contract

20-35 : 1 Contract and 1 ISP

36-51 : 2 Contracts and 1 ISP

52 or more : 3 Contracts and 1 ISP

Credit by examination or credit earned as part of a special secondary school program or degree are applied to Liberal Arts Curriculum (General Education) requirements, following the Articulation Coordinating Committee's Credit-by-Examination Equivalencies.

Every New College student must complete at least 4 semester contracts and 2 Independent Study Projects in residence at New College in order to graduate.

Faculty advisers review the transfer student's previous work. Additional courses needed to graduate are based on New College area of concentration guidelines and a plan of study developed by the student and his/her professor.

* Limited Access.

Program:	<u>Honors College</u>	CIP:	<u>24.0199</u>
	<u>FAU</u>	Track:	<u>2/2</u>
Offered At:	<u>FAU*</u>	Program Length:	<u>120 Cr. Hrs.</u>

REVISED 9/15/03

REVISED 10/28/09

LOWER LEVEL COURSES

The Wilkes Honors College is a liberal arts and sciences College on Florida Atlantic University's northern campus in Jupiter, Florida. Students Receive a Bachelor of Arts degree in Liberal Arts and Sciences, with a concentration, all Honors College students write an honors thesis. To help prepare for the senior thesis, transfer students are advised to take writing intensive classes at the Florida College System institution. Transfer students are also advised to complete their Associate of Arts degree, which automatically satisfies the Honors College Core requirements.

Upon admittance to the Honors College with an A.A. degree, transfer students will begin coursework in their selected concentration and complete other graduation requirements. These graduation requirements include: two distribution electives, which may be any course from any two distinct disciplines, one within the social sciences and one within the humanities; two courses in a foreign language; one course in international studies and one course in environmental studies; a weekly one-credit seminar called the Honors Forum, at which students meet faculty and other leading scholars and artists who present their work and introduce the leading ideas and controversies in their areas of expertise; the senior honors thesis; and three Critical Inquiry Seminars. These seminars are specially designed one or three-credit team-taught courses that engage in interdisciplinary inquiry. The aim of these team-taught courses is to explore problems from a variety of perspectives and to reflect on the connections and shared concerns of scholars from distinct disciplines. The Distribution requirements may be satisfied by suitable courses transfer students have already taken. A current list of courses that satisfy these requirements is available online at <http://www.fau.edu/divdept/honcol/core-courses.pdf>. The distribution electives requirement can be met by any course in the arts/humanities and any course in the social science not used to satisfy other degree requirements.

Transfer students must take at least 45 credits of upper level coursework while at the Honors College and should carefully plan their course selection at the Honors College accordingly.

* Limited Access.

Program: Horticulture Science

CIP: 01.1103

Track: 1

Offered At: UF

Program Length: 120 Cr. Hrs.

REVISED 2/25/09
Technical 12/11/2018

LOWER LEVEL COURSES

	Cr. Hrs.
— BOTX010/X010L	4
&— BOTX011/X011L	4
or— BOTX010C	4
&— BOTX011C	4
or— BSCX010/X010L	4
&— BSCX011/X011L	4
or— BSCX010C	4
&— BSCX011C	4
&— CHMX045/X045L	4
or— CHMX045C	4
or— CHMX040	
&— CHMX041	
&— CHMX045L	
&— ECOX023	4
or— ECOX013	4
&— ENCX213	
or— ENCX210	
&— MACX147	4
or— MACX140	
&— MACX114	
or— MACX105	
&— MACX114	
&— PHYX004	3
or— PHYX053	3
&— SPCX608	3

FOR ALL MAJORS: Students are strongly encouraged to select required lower division electives that will enhance their general education coursework and that will support their intended baccalaureate degree program. Students should consult with an academic advisor in their major degree area.

NOTE: Students who select the Plant Molecular and Cellular Biology option must also complete CHMSX046/X046L, MACX233, and PHYX053/X053L with grades of C or better.

Program: Hospitality Administration/Management **CIP:** 52.0901
Track: 1/4
Offered At: FGCU, FIU*, FSU, UCF **Program Length:** 120 Cr. Hrs.

REVISED 10/28/15
 Revised February 2017
 Technical Revision 7/17/2018
 Technical 10/2/2019

LOWER LEVEL COURSES

	Cr. Hrs.
HFTX000 ⁽¹⁾	3
or- HFTX003	3
&- Select one of the following:	
or- ECOX013	3
or- ECOX023	3

FOR ALL MAJORS: Students are strongly encouraged to select required lower division electives that will enhance their general education coursework and that will support their intended baccalaureate degree program. Students should consult with an academic advisor in their major degree area.

 UCF also has an events management track within this degree program. The common prerequisite for that program is also HFTX000.

- (1) FIU does not require HFTX000 for admission to its program.
- (2) FGCU Track B.S. in PGA Golf Management.
- * Limited Access.

Program: Hospitality Administration/Management

CIP: 52.0901

Track: 2/4

Offered At: FAU, FGCU, FSU*, UWF

Program Length: 120 Cr. Hrs.

REVISED 2/25/09
Revised 2/24/2010
Revised 5/25/2011
Revised February 2017. Added UWF (BSBA Option)
Technical 12/11/2018
Technical 10/2/2019

LOWER LEVEL COURSES

	Cr. Hrs.	
ACGX021	3	
or- ACGX022	3	
or- ACGX001	3	Principles of Accounting I
&- ACGX011	3	Principles of Accounting II
&- ACGX071	2-3	Managerial Accounting
&- CGSX100 ⁽¹⁾	3	
or- CGSX100C	3	
or- CGSX570	3	
or- CGSX060	3	
or- CGSX531	3	
or- CGSX000	3	
or- CGSX518	3	
&- ECOX013	3	Principles of Macroeconomics
&- ECOX023	3	Principles of Microeconomics
&- MACX233	3-4	
or- MACX105 ⁽²⁾		
&- STAX023	3-4	
or- STAX122	3	
or- QMBX100	3	Quantitative Methods in Business
&- HFTX000	3	

FOR ALL MAJORS: Students are strongly encouraged to select required lower division electives that will enhance their general education coursework and that will support their intended baccalaureate degree program. Students should consult with an academic advisor in their major degree area.

-
- (1) or demonstrated competency
 - (2) MACX105 is not accepted at FAU. Students must take either MACX233 or MACX230 at FAU. FSU students may take any of the three courses.
 - (3) FGCU is B.S. in Resort and Hospitality Mgt
- * Limited Access.

Program: Hospitality Administration/Management **CIP:** 52.0901
Track: 3/4
Offered At: USF **Program Length:** 120 Cr. Hrs.

REVIEWED - NO CHANGE 2/25/09

Revised 10/24/2012

Added campus 4/11/2013

Removed campus 5/22/2013

Revised 4/8/19 to reflect that the curriculum is taught at the USF Sarasota-Manatee campus.

Technical 9/25/2019

LOWER LEVEL COURSES

	Cr. Hrs.
ACGX021	3
or- ACGX022	3
or- ACGX001	3
&- ACGX011	3
&- ACGX071	2-3
&- ECOX013	3
&- ECOX023	3

FOR ALL MAJORS: Students are strongly encouraged to select required lower division electives that will enhance their general education coursework and that will support their intended baccalaureate degree program. Students should consult with an academic advisor in their major degree area.

Program:	<u>Hospitality Administration/Management</u>	CIP:	<u>52.0901</u>
		Track:	<u>4/4</u>
Offered At:	<u>FIU</u>	Program Length:	<u>120 Cr. Hrs.</u>

NEW 2/25/09

Technical revision 7/5/2018

LOWER LEVEL COURSES

There are no specified common prerequisites for this major. All Florida College System students are encouraged to complete the Associate degree. Students should consult with an academic advisor in their major degree area at the intended transfer institution.

Program: Human Resource Development

CIP: 19.0707

Track: 1

Offered At: UF

Program Length: 120 Cr. Hrs.

REVISED 10/28/2009

Technical revision 7/6/2018

Technical Revision 7/18/2018; 12/12/2018

LOWER LEVEL COURSES

	Cr. Hrs.
Select from the following:	
&- BSCX005C	4
&- Take both courses:	
&- BSCX005/X005L	4
&- CHMX083	3
or- PHYX020	3
or- CHMX020	3
&- CHMX021	3
&- ECOX023	3
or- AEB3103	4
or- AEBX014	3
&- ENCX213	3
or- ENCX210	3
or- MMCX100	3
&- MACX114	5
&- MACX140	0
or- MACX105	3
or- MACX140	3
or- MACX114	3
or- MACX147	
&- PSYX013	3
&- SYGX000	3
&- STAX023	3
or- STAX122	3
or- STAXXXX (1)	3
&- SPCX608	3

(1) Any statistics course

Program: Human Resource Management

CIP: 52.1001

Track: 1

Offered At: FIU*

Program Length: 120 Cr. Hrs.

Deleted university 10/24/2012

REVISED 10/28/15

Technical 12/11/2018

LOWER LEVEL COURSES

	Cr. Hrs.	
ACGX021	3	Principles of Financial Accounting
or- ACGX022	3	
or- ACGX001	3	
&- ACGX011	3	
&- ACGX071	2-3	
or- ACGX301	2-3	
&- CGSX100 ⁽¹⁾	3-4	
or- CGSX100C	3-4	
or- CGSX570	3-4	
or- CGSX060	3-4	
or- CGSX531	3-4	
or- CGSX000	3-4	
or- ISMX000	3-4	
&- ECOX013	3	
&- ECOX023	3	
&- STAX023	3-4	
or- STAX122	3-4	
or- QMBX100	3-4	
&- MACX233		

FOR ALL MAJORS: Students are strongly encouraged to select required lower division electives that will enhance their general education coursework and that will support their intended baccalaureate degree program. Students should consult with an academic advisor in their major degree area.

(1) or demonstrated competency

* Limited Access.

Program:	<u>Human Services</u>	CIP:	<u>44.0000</u>
		Track:	<u>1/2</u>
Offered At:	<u>FSCJ, IRSC</u>	Program Length:	<u>120 Cr. Hrs.</u>

New 10/27/10
REVISED 9/1/11
REVISED 4/18/12
Added track 10/24/2012
Technical revision 7/13/2018

LOWER LEVEL COURSES

Note: Associate's degree (A.A., A.S., or A.A.S.) with a minimum cumulative grade point average of 2.0 is required for admission.

There are no specified common prerequisites for this major. All Florida College System students are encouraged to complete the Associate degree. Students should consult with an academic advisor in their major degree area at the intended transfer institution.

Program:	<u>Humanities</u>	CIP:	<u>24.0103</u>
		Track:	<u>1</u>
Offered At:	<u>FSU, UCF, USF, UWF</u>	Program Length:	<u>120 Cr. Hrs.</u>

REVIEWED - NO CHANGE 2/25/09

REVISED 10/28/2009

Technical revision 7/3/2019

LOWER LEVEL COURSES

There are no specified common prerequisites for this major. All Florida College System students are encouraged to complete the Associate degree. Students should consult with an academic advisor in their major degree area at the intended transfer institution.

Program: Industrial & Systems Engineering

CIP: 14.2701

Track: 1

Offered At: UF

Program Length: 125 Cr. Hrs.

REVISED 2/25/09

Technical course change 10/23/2013

Credit Hour Adjustment 2/28/2018

LOWER LEVEL COURSES

	Cr. Hrs.
MACX311	4
or-	
MACX281	4
&	
MACX312	4
or-	
MACX282	4
&	
MACX313	4
or-	
MACX283	4
&	
MAPX302	3
or-	
MAPX305	3
&	
CHMX045/X045L	4
or-	
CHMX045C	4
or-	
CHSX440/X440L	
&	
PHYX048/X048L	4
or-	
PHYX048C	4
&	
PHYX049/X049L	4
or-	
PHYX049C	4

FOR ALL MAJORS: Students are strongly encouraged to select required lower division electives that will enhance their general education coursework and that will support their intended baccalaureate degree program. Students should consult with an academic advisor in their major degree area.

Program: Industrial/Manufacturing Engineering **CIP:** 14.3501
Track: 1
Offered At: FAMU, FSU, UCF, USF **Program Length:** 128 Cr. Hrs.

REVISED 2/25/09
 Revised course 10/23/2013
 Technical 12/12/2018

LOWER LEVEL COURSES

	Cr. Hrs.
MACX311	4
or- MACX281	4
& MACX312	4
or- MACX282	4
& MACX313	4
or- MACX283	4
& MAPX302	3
or- MAPX305	3
& CHMX045/X045L	4
or- CHMX045C	4
or- CHSX440/X440L	
& PHYX048/X048L	4
or- PHYX048C	4
& PHYX049/X049L	4
or- PHYX049C	4
or- PHYX044	
&- PHYX049L	

FOR ALL MAJORS: Students are strongly encouraged to select required lower division electives that will enhance their general education coursework and that will support their intended baccalaureate degree program. Students should consult with an academic advisor in their major degree area.

Program: Information Engineering Technology

CIP: 15.1202

Track: 1

Offered At: FAU

Program Length: 136 Cr. Hrs.

NEW 10/28/2009

LOWER LEVEL COURSES

	Cr. Hrs.
ENCX102	3
&- ENCX210	3
&- MACX105	3
&- MACX114	3
&- Select from the following	
or- MACX233	3
or- Select both courses:	
&- MACX311	
&- MACX312	
&- STAX023	3
&- Select from the following:	
or- Take both courses:	
&- PHYX053	
&- PHYX048L	
or- Take both courses:	
&- PHYX048/X048L	
&- Select from the following:	
or- SPCX601	
or- SPCX608	3
&- COPX220 ⁽¹⁾	3
&- Select from the following:	
or- Take both courses	
&- PHYX054	4
&- PHYX049L	1
or- Take both courses:	
&- PHYX049/X049C	
&- 30 semester credit hours of Associate in Science Coursework. ⁽²⁾	

(Please see notes in the following page)

(Continues from previous page)

FOR ALL MAJORS: Students are strongly encouraged to select lower division electives that will enhance their general education coursework and that will support their intended baccalaureate degree program. Consult with an academic advisor in your major degree area.

- (1) Or a computer programming course in C or C++
- (2) The Bachelor of Information Engineering Technology (B.I.E.T.) program is designed to articulate with Associate in Science (A.S.) degree programs at Florida College System institutions in areas such as Computer Programming and Analysis, network Services Technology, and Computer Science (Networks or Programming). Specific local articulation agreements are being developed with Indian River State College, Broward College, and Miami-Dade College. Students transferring from a Florida College System institution should normally have completed an articulated A.S. program. Students who have completed at least 60 lower--division credits toward an A.S. degree program will be admitted but must complete the A.S. program in order to receive the B.I.E.T. degree. Students with at least 60 credits toward an A.A. degree may be admitted to the program but are subject to additional requirements.

Program:	<u>Information Sciences and Studies</u>	CIP:	<u>11.0401</u>
	<u>Computer Information Systems EN EIF</u>	Track:	<u>1/2</u>
Offered At:	<u>EFSC</u>	Program Length:	<u>120 Cr. Hrs.</u>

NOTE: These are the common prerequisites for Computer Information Systems EN EIF. The Computer Science EN BCS program is found in 11.0101 Track 1. The Computer Engineering EN ECP program is under 14.0901 Track 1.

REVISED 6/30/14

EFSC degree program is a B.A.S. degree.

REVISED 4/27/2016

USF removed 5/2/2019

Technical 9/27/2019; 10/2/2019

LOWER LEVEL COURSES

	Cr. Hrs.
┌── COPXXXX (1)	3
│ or- COPX334	3
&─ MACX311	4
&─ PHYX048/X048L	4

FOR ALL MAJORS: Students are strongly encouraged to select required lower division electives that will enhance their general education coursework and that will support their intended baccalaureate degree program. Students should consult with an academic advisor in their major degree area.

- (1) Introductory Programming in C, C++, JAVA, or equivalent language.
Universities may have individual specific grade requirements for each prerequisite course. Consult the program for details.

Admission to Bachelor of Applied Science (B.A.S.) degree programs usually requires an Associate in Science (A.S.) or Associate in Applied Science (A.A.S.) degree in a related area. If a student has earned an Associate in Arts (A.A.) degree, or an A.S. degree, an A.A.S. degree, or its equivalent in an unrelated area, the student may be admitted on a case-by-case basis with approval of the appropriate academic administrator. Some majors may have licensure or other types of requirements prior to admittance. Due to the variance in specialized B.A.S. degree programs and concentrations, students are strongly encouraged to consult with an academic advisor at the B.A.S degree-granting institution.

Program:	<u>Bachelor of Science in Information Science</u>	CIP:	<u>11.0104</u>
	<u>B.S. in Information Science</u>	Track:	<u>1</u>
Offered At:	<u>UNF</u>	Program Length:	<u>120 Cr. Hrs.</u>

Formerly 11.0101 Track 4. 10/2/2019.

LOWER LEVEL COURSES

	Cr. Hrs.	
— COPX220 ⁽¹⁾		Introductory Programming
&— Select one of the following:		
or— CGSX570	3	
or— CGSX100		
or— CGSX060		
&— MACX233	3	
&— Select one of the following:		
or— STAX023	3	
or— STAX122		

(1) Or Introductory Programming COP prefix course.

Program:	<u>Information Technology</u>	CIP:	<u>11.0103</u>
		Track:	<u>1/5</u>
Offered At:	<u>UCF, USF</u>	Program Length:	<u>120 Cr. Hrs.</u>
	<u>DSC</u>		<u>128</u>

REVISED 2/25/09
 Added institution 4/11/2013.
 Added comment 5/22/2013
 REVISED 10/23/13
 Note revision 10/23/2013
 University added 8/7/2014
 Revised 4/8/2019 to reflect that the same curriculum is taught at both the USF Tampa and USF Sarasota-Manatee campus.
 Technical 9/25/2019; 10/2/19

LOWER LEVEL COURSES

	Cr. Hrs.
— PSYXXXX	3
&— STAX023	3
or— STAX122	3
&— ECOX013	
&— CGSXXXX (1)	3
&— COPXXXX (2)	3
&— MACXXXX (3)	3
&— PHYXXXX (4)	3
&— XXXXXXX (5)	3
&— COPXXXX (6)	3

FOR ALL MAJORS: Students are strongly encouraged to select required lower division electives that will enhance their general education coursework and that will support their intended baccalaureate degree program. Students should consult with an academic advisor in their major degree area.

-
- (1) Any Database Course
 - (2) Any Computer Programming Course
 - (3) Pre-Calculus Course
 - (4) Any Physics Course
 - (5) Discrete Mathematics Course
 - (6) Any Object-Oriented Computer Programming Course

Program:	<u>Information Technology</u>	CIP:	<u>11.0103</u>
		Track:	<u>2/5</u>
Offered At:	<u>BC, FAMU, FIU, FSU, USF, UWF</u>	Program Length:	<u>120 Cr. Hrs.</u>

Program is BAS degree at BC
 REVISED 5/27/09
 Added note 4/11/2013
 REVISED 10/28/15
 Revised May 2017.
 Technical 10/2/2019

LOWER LEVEL COURSES

	Cr. Hrs.
— PSYXXXX (1)	
&— STAX023 (7)	3
or— STAX122 (7)	3
&— ECOX013	
&— CGSXXXX (2)	
&— COPXXXX (3)	
&— COPXXXX (4)	
&— MACXXXX (5)	
&— PHIXXXX (6, 7)	

FOR ALL MAJORS: Students are strongly encouraged to select required lower division electives that will enhance their general education coursework and that will support their intended baccalaureate degree program. Students should consult with an academic advisor in their major degree area.

-
- (1) Any Psychology Course
 - (2) Any Database Course
 - (3) Any Computer Programming Course
 - (4) Any Object-Oriented Computer Programming Course
 - (5) Pre-Calculus Course or Discrete Math. FIU requires both pre-calculus AND discrete math.
 - (6) Any General Ethics Course

Note #1: UWF - This track includes UWF's institution tracks for: Computer Technology, e-Learning Support Systems, and Web-Development Technologies.

Note #2: FIU - Consult FIU Catalog for double majors coupled with IT Programs. Students would need to take the prerequisites for the other major they select, in addition to the IT Prerequisites.

Universities may have individual specific grade requirements for each prerequisite course. Consult the program for details.

Note #3: USF - USF Tampa is the only USF System institution for this particular track.

- (7) Not required at FIU.

Program:	<u>Information Technology</u>	CIP:	<u>11.0103</u>
	<u>Bioinformation Track</u>	Track:	<u>3/5</u>
Offered At:	<u>UWF</u>	Program Length:	<u>120 Cr. Hrs.</u>

REVIEWED - NO CHANGE 2/25/09

Technical revision 7/3/2018

Technical 10/2/2019

LOWER LEVEL COURSES

	Cr. Hrs.
— PSYXXXX (1)	
&— STAX023	3
or— STAX122	3
&— ECOX013	
&— CGSXXXX (2)	
&— COPXXXX (3)	
&— COPXXXX (4)	
&— MACXXXX (5)	
&— PHIXXXX (6)	
&— CHMX045/X045L	
&— ZOOX010/X010L	
or— BOTX010/X010L	

FOR ALL MAJORS: Students are strongly encouraged to select required lower division electives that will enhance their general education coursework and that will support their intended baccalaureate degree program. Students should consult with an academic advisor in their major degree area.

-
- (1) Any Psychology Course
 - (2) Any Database Course
 - (3) Any Computer Programming Course
 - (4) Any Object-Oriented Computer Programming Course
 - (5) Pre-Calculus Course or Discrete Math
 - (6) Any General Ethics Course

Program:	<u>Information Technology</u>	CIP:	<u>11.0103</u>
	<u>Information Systems Technology</u>	Track:	<u>4/5</u>
Offered At:	<u>IRSC, MDC, SFC, SSCF</u>	Program Length:	<u>120 Cr. Hrs.</u>

SFC - BAS Information System Technology
 NEW 3/2/11
 REVISED 10/24/12
 REVISED 4/4/14
 REVISED 10/28/15
 REVISED 02/27/19
 Technical 10/2/2019

LOWER LEVEL COURSES

		Cr. Hrs.	
	MACX105	3	College Algebra
	or-		or higher level mathematics
&	STAX023	3	Statistical Methods
	or-		STAX014
&	ECOX013	3	
	or-		ECOX023
&	SPCX608	3	Introduction to Oral Communication
	or-		SPCX017
&	CETX179	3	Network Concepts and Operating System
	or-		CTSX134
	or-		CTSX650
&	COPX000	3	Introduction to Programming
	or-		COPX334
&-	CGSX540C	3-4	Database Management

FOR ALL MAJORS: Students are strongly encouraged to select required lower division electives that will enhance their general education coursework and that will support their intended baccalaureate degree program. Students should consult with an academic advisor in their major degree area.

MDC requires CGSX060 or equivalent or proficiency prior to program admission.

- (1) Valencia College does not require the STA, ECO or SPC courses.

Program:	<u>Information Technology</u>	CIP:	<u>11.0103</u>
	<u>Bachelor of Science in Information Technology</u>	Track:	<u>5/5</u>
Offered At:	<u>UNF</u>	Program Length:	<u>120 Cr. Hrs.</u>

Moved from 11.0101 to 11.0103 10/2/2019

LOWER LEVEL COURSES

	Cr. Hrs.	
— COPX220	3	Introductory Programming
&— Take either course:		
or— CGSX570	3	
or— CGSX100	3	
&— Take either course:		
or— STAX023	3	
or— STAX112	3	
&— MACX233	3	
&— Take either course:		
or— SPCX608	3	
or— SPCX017	3	

Program: Insurance/ Risk Management

CIP: 52.1701

Track: 1

Offered At: FSU*, USFSM

Program Length: 120 Cr. Hrs.

REVISED 10/22/08
REVISED 10/28/2009
Revised 5/25/2011
Deleted university 10/24/2012
USFSM added 10/24/2018
Technical 12/11/2018

LOWER LEVEL COURSES

	Cr. Hrs.	
ACGX021	3	Principles of Financial Accounting
or- ACGX022	3	
or- ACGX001	3	
&- ACGX011	3	
&- ACGX071	2-3	
or- ACGX301	2-3	
&- CGSX100 ⁽¹⁾	3-4	
or- CGSX100C	3-4	
or- CGSX570	3-4	
or- CGSX060	3-4	
or- CGSX531	3-4	
or- CGSX000	3-4	
or- ISMX000	3-4	
or- CGSX518	3	
&- ECOX013	3	
&- ECOX023	3	
&- STAX023	3-4	
or- STAX122	3-4	
or- QMBX100	3-4	
&- MACX233		

FOR ALL MAJORS: Students are strongly encouraged to select required lower division electives that will enhance their general education coursework and that will support their intended baccalaureate degree program. Students should consult with an academic advisor in their major degree area.

(1) or demonstrated competency

* Limited Access.

Program: Interdisciplinary Studies

CIP: 30.9999

Track: 1

Offered At: UF*

Program Length: 120 Cr. Hrs.

REVISED 5/27/09

Technical revisions 7/10/2018

Technical 12/11/2018

Technical 12/28/2018

LOWER LEVEL COURSES

	Cr. Hrs.
CHMX045/X045L	4
or- CHMX045C	4
or- CHMX040	3
&- CHMX045L	1
or- CHMX041	3
&- CHMX045L	1
&- CHMX046/X046L ⁽¹⁾	4
or- CHMX046C	4
&- BSCX010/X010L	4
or- BSCX010C	4
or- BOTX010C	4
or- Take both courses:	
&- BOTX010/X010L	4
&- BSCX011/X011L	4
or- BSCX011C	4
or- BOTX011C	4
or- Take both courses:	
&- BOTX011/X011L	4
&- MACX233 ⁽²⁾	3
or- MACX311	3
&- MACX147 ⁽²⁾	4
or- MACX114	
&- MACX140	
&- PHYX004	3
or- PHYX020	
&- ECOX023	3

(Please see notes in the following page)

(Continues from previous page)

FOR ALL MAJORS: Students are strongly encouraged to select required lower division electives that will enhance their general education coursework and that will support their intended baccalaureate degree program. Students should consult with an academic advisor in their major degree area.

- (1) CHMX046/X046L required for Environmental Management in Agriculture and Natural Resources but not for Golf and Sports Turf Management.
- (2) MACX233 required for Environmental Management in Agriculture and Natural Resources; MACX142 required for Golf and Sports Turf Management.
- * Limited Access.

Program:	<u>Interior Design</u>	CIP:	<u>50.0408</u>
		Track:	<u>1/3</u>
Offered At:	<u>FSU*</u>	Program Length:	<u>120 Cr. Hrs.</u>

REVISED 5/27/09
 Revised 2/24/2010
 Revised 4/30/2019. ARCHX057 removed.

LOWER LEVEL COURSES

	Cr. Hrs.
— INDX206	3
&— INDX406	3
&— INDX203	3
&— INDX204	3
&— ARHX051	3

FOR ALL MAJORS: Students are strongly encouraged to select required lower division electives that will enhance their general education coursework and that will support their intended baccalaureate degree program. Students should consult with an academic advisor in their major degree area.

 PLEASE NOTE: Program also requires 3 semester hours of art history, Renaissance through contemporary (ARHX051 or ARHX057), that may be used to meet a general education/liberal studies humanities requirement.

Special Note to transfer students: The transfer population has a special summer program dedicated to their special needs.

* Limited Access.

Program: Interior Design

CIP: 50.0408

Track: 2/3

Offered At: UF*

Program Length: 120 Cr. Hrs.

REVISED 5/27/09

Revised 2/24/2010

LOWER LEVEL COURSES

	Cr. Hrs.
— ARCX301	4
&— ARCX302	4
&— ARCX303	5
&— INDX020	2
&— INDX100	3
&— INDX130	3
&— INDX460	3
&— INDX313	3
&— INDX635	3
&— INDX422	3
&— INDX214	5
&— STAX023	3
&— MACX147	4
or— MACX140	4
&— MACX114	4
&— PHYXXXX	3
or— PHYX053	3
or— PHYX004	3

FOR ALL MAJORS: Students are strongly encouraged to select required lower division electives that will enhance their general education coursework and that will support their intended baccalaureate degree program. Students should consult with an academic advisor in their major degree area.

NOTE: Applicants who have accumulated 60 credit hours of college-level course work and meet admissions criteria will need to complete common prerequisites. Generally, transfer students with an A.A. degree or students from other universities are considered for provisional admission. These students may be required to complete as many as four semesters at the university to complete the pre-professional design requirements because of the sequential nature of the courses. Students should apply to the Summer A term of UF to begin the required sequence of design courses.

* Limited Access.

Program:	<u>Interior Design</u>	CIP:	<u>50.0408</u>
	<u>B.A.S.</u>	Track:	<u>3/3</u>
Offered At:	<u>SSCF</u>	Program Length:	<u>120 Cr. Hrs.</u>

New 2/24/2010

LOWER LEVEL COURSES

FOR ALL MAJORS: Students are strongly encouraged to select required lower division electives that will enhance their general education coursework and that will support their intended baccalaureate degree program. Students should consult with an academic advisor in their major degree area.

NOTE: Admission to Bachelor of Applied Science (B.A.S.) degree programs usually require an Associate in Science (A.S.) or Associate in Applied Science (A.A.S.) degree in a related area. If a student has earned an Associate in Arts (A.A.) degree or an A.S. degree, and A.A.S. degree, or its equivalent in an unrelated area, the student may be admitted on a case-by-case basis with approval of the appropriate academic administrator. Some majors may have licensure or other types of requirements prior to admittance. Due to the variance in specialized B.A.S. degree programs and concentrations, students are strongly encouraged to consult with an academic advisor at the B.A.S. degree-granting institution.

Program: International Business Management

CIP: 52.1101

Track: 1

Offered At: FAU, FIU*, SCFMS, SPC, USF*

Program Length: 120 Cr. Hrs.

SCFMS and SPC (BAS)

Revised 5/25/2011

REVISED 4/18/12

Added campus and note 5/22/2013

REVISED 10/28/15

Technical revision 7/5/2018

Technical 12/11/2018; 9/25/2019

Revised 4/8/19 to reflect that the curriculum is offered at both the USF Tampa and USF St. Petersburg campus.

LOWER LEVEL COURSES

	Cr. Hrs.	
ACGX021	3	Principles of Financial Accounting
or- ACGX022	3	
or- ACGX001	3	
&- ACGX011	3	
&- ACGX071	2-3	
or- ACGX301	2-3	
&- CGSX100 ⁽¹⁾	3-4	
or- CGSX100C	3-4	
or- CGSX570	3-4	
or- CGSX060	3-4	
or- CGSX531	3-4	
or- CGSX000	3-4	
or- ISMX000	3-4	
or- CGSX518	3	
&- ECOX013	3	
&- ECOX023	3	
&- STAX023	3-4	
or- STAX122	3-4	
or- QMBX100	3-4	
&- MACX233		

(Please see notes in the following page)

FOR ALL MAJORS: Students are strongly encouraged to select required lower division electives that will enhance their general education coursework and that will support their intended baccalaureate degree program. Students should consult with an academic advisor in their major degree area.

(1) or demonstrated competency

Admission to Bachelor of Applied Science (B.A.S.) degree programs usually requires an Associate in Science (A.S.) or Associate in Applied Science (A.A.S.) degree in a related area. If a student has earned an Associate in Arts (A.A.) degree, or an A.S. degree, an A.A.S. degree, or its equivalent in an unrelated area, the student may be admitted on a case-by-case basis with approval of the appropriate academic administrator. Some majors may have licensure or other types of requirements prior to admittance. Due to the variance in specialized B.A.S. degree programs and concentrations, students are strongly encouraged to consult with an academic advisor at the B.A.S degree-granting institution.

* Limited Access.

Program:	<u>International Relations</u>	CIP:	<u>45.0901</u>
		Track:	<u>1</u>
Offered At:	<u>FIU, FSU, UNF, USF, UWF</u>	Program Length:	<u>120 Cr. Hrs.</u>

REVIEWED - NO CHANGE 05/27/09
Technical revision 7/5/2018

LOWER LEVEL COURSES

There are no specified common prerequisites for this major. All Florida College System students are encouraged to complete the Associate degree. Students should consult with an academic advisor in their major degree area at the intended transfer institution.

Program:	<u>International/Global Studies</u>	CIP:	<u>30.2001</u>
		Track:	<u>1</u>
Offered At:	<u>FIU, UCF, UF, UNF</u>	Program Length:	<u>120 Cr. Hrs.</u>
	<u>NCF</u>		<u>124</u>

NEW 5/27/09

Institution added 10/24/2012

Institution added 10/28/15

Technical revision 7/5/2018.

Technical additional of an institution 6/28/2019

LOWER LEVEL COURSES

There are no specified common prerequisites for this major. All Florida College System students are encouraged to complete the Associate degree. Students should consult with an academic advisor in their major degree area at the intended transfer institution.

NCF offers a degree program within the CIP; however, due to the unique course organization, these common prerequisites may not apply.

FIU's program is a Bachelor of Arts in Global Studies.

Program:	<u>Italian</u>	CIP:	<u>16.0902</u>
		Track:	<u>1</u>
Offered At:	<u>FIU, FSU</u>	Program Length:	<u>120 Cr. Hrs.</u>

REVISED 5/27/09
 USF terminated fall 2018

LOWER LEVEL COURSES

— ITAX220 (1)	Cr. Hrs.
	4

FOR ALL MAJORS: Students are strongly encouraged to select required lower division electives that will enhance their general education coursework and that will support their intended baccalaureate degree program. Students should consult with an academic advisor in their major degree area.

-
- (1) Complete the course or equivalent or higher proficiency or demonstrate proficiency by testing.

NOTE: Native or heritage speakers or other persons with experience in a foreign language may qualify for a higher level language course, or exempt course(s) entirely. Please see the university to ensure proper advising and placement.

NOTE: Some institutions require a minimum grade in the language courses. Please check with the institution.

Program: Jazz Studies

CIP: 50.0910

Track: 1/1

Offered At: UNF*

Program Length: 120 Cr. Hrs.

2/24/2010

Deleted university 10/24/2012

REVISED 10/28/15

Revised 11/26/2018

LOWER LEVEL COURSES

	Cr. Hrs.
MUTX111	3
or- MUTX121	3
&- MUTX112	3
or- MUTX122	3
&- MUTX116	3
or- MUTX126	3
&- MUTX117	3
or- MUTX127	3
&- Select from the following options for 4 credits:	
or- MUTX241	1
&- MUTX242	1
&- MUTX246	1
&- MUTX247	1
or- MUTX221	1
&- MUTX222	1
&- MUTX226	1
&- MUTX227	1
or- MUTX271	1
&- MUTX272	1
&- MUTX276	1
&- MUTX277	1
&- Take 4 semesters of the following coursework: ⁽¹⁾	
&- MUNXXXX	4
&- Take 2 semesters of the following coursework: ⁽¹⁾	
&- MVxXX1X ⁽²⁾	2-4
&- Take 2 semesters of the following coursework: ⁽¹⁾	
&- MVxXX2X ⁽²⁾	2-4
&- Repeat these courses up to 4 semesters in order to gain piano proficiency: ⁽³⁾	
&- MVKX111	
&- MVKX112	
&- MVKX121	
&- MVKX122	

(Please see notes in the following page)

FOR ALL MAJORS: Students are strongly encouraged to select required lower division electives that will enhance their general education coursework and that will support their intended baccalaureate degree program. Students should consult with an academic advisor in their major degree area.

- (1) Music program national accreditation requires minimum semesters of exposure in specified coursework.
 - (2) DEFINITIONS:
MVxXX1X and MVxXX2X are defined as courses under one of the specified prefixes that constantly maintain the digit 1 or 2 (depending upon which course) while allowing 0-9 to replace each "X." The prefix varies depending upon the student's focus (i.e., Brass, Strings, Woodwinds, etc.) Prefix areas to choose from are MVB, MVH, MVJ, MVK, MVO, MVP, MVS, MVV, and MVW. Two examples of possible courses are MVB1011 or MVP1311. Examples for MVxXX2X are MVW2223 and MVK2222.
 - (3) Or Secondary Piano Proficiency by examination.
- * Limited Access.

Program:	<u>Jewish Studies</u>	CIP:	<u>38.0206</u>
		Track:	<u>1</u>
Offered At:	<u>FAU, UF</u>	Program Length:	<u>120 Cr. Hrs.</u>

REVIEWED - NO CHANGE 5/27/09
Technical revision 7/5/2018

LOWER LEVEL COURSES

There are no specified common prerequisites for this major. All Florida College System students are encouraged to complete the Associate degree. Students should consult with an academic advisor in their major degree area at the intended transfer institution.

Program:	<u>Journalism</u>	CIP:	<u>09.0401</u>
		Track:	<u>1</u>
Offered At:	<u>UCF*</u>	Program Length:	<u>120 Cr. Hrs.</u>
	<u>UF*</u>		<u>124</u>
	<u>FAMU*</u>		<u>125</u>

REVISED 5/27/09

LOWER LEVEL COURSES

	Cr. Hrs.
— SPCX608 (1)	3
&— AMHX010 (2)	3
&— AMHX020 (2)	3
&— POSX041 (2)	3
&— POSX112 (3)	3
or— CPOX001 (3)	3
or— INRX001 (3)	3

FOR ALL MAJORS: Students are strongly encouraged to select required lower division electives that will enhance their general education coursework and that will support their intended baccalaureate degree program. Students should consult with an academic advisor in their major degree area.

- (1) Although UF does not require this course as a common prerequisite, the course is required for graduation.
- (2) Although UCF and FAMU do not require this course as a common prerequisite, it is accepted as general education at the two universities.
- (3) FAMU and UCF do not require any of these courses as common prerequisites. FAMU accepts POSX112 as general education.

Grade 'C' or higher is required for all common prerequisite courses.

REVISED 10/28/2009

* Limited Access.

Program:	<u>Jr. High/Middle School Teacher Education</u>	CIP:	<u>13.1203</u>
	<u>Middle Grade Math/Middle Grade Science Education</u>	Track:	<u>1/7</u>
Offered At:	<u>NWFSC, UNF, UWF</u>	Program Length:	<u>120 Cr. Hrs.</u>

REVISED 2/25/09
 Revised 5/26/2010 to reflect credit hour correction.
 Deleted university 5/25/2011
 Footnote deleted and revised 9/13/2016
 Revised Oct. 2017
 Technical 1/2/2019

LOWER LEVEL COURSES

	Cr. Hrs.	
EDFX005	3	Intro to Education
&—		
MACX105	3	
or—		
MACX147	3	
or—		
MACX114	2-3	
&—		
MACX140	3	
&—		
MACX311	4	
&—		
STAX023	3	
or—		
STAX122	3	
or—		
STAX014	3	
&—		
ESCXXXXC	4	
or—		
GLYXXXXC	4	
or—		
METXXXXC	4	
or—		
OCEXXXXC	4	
or—		
ASTXXXXC	4	
&—		
BSCX010C	4	
or—		
BSCX010/X010L	4	
&—		
CHMX045/X045L	4	
or—		
PHYX053/X053L	4	
or—		
PHYX048/X048L	4	

FOR ALL MAJORS: Students are strongly encouraged to select required lower division electives that will enhance their general education coursework and that will support their intended baccalaureate degree program. Students should consult with an academic advisor in their major degree area.

FOR EDUCATION MAJORS: General education courses will be determined by the community college or university where the student currently is earning the Associate in Arts or baccalaureate degree, and will be published in the institution's existing catalog and delineated in the Statewide Course Numbering System.

Program:	<u>Jr. High/Middle School Teacher Education</u>	CIP:	<u>13.1203</u>
	<u>Middle Grade English/Middle Grade Social Science Education</u>	Track:	<u>2/7</u>
Offered At:	<u>UNF, UWF</u>	Program Length:	<u>120 Cr. Hrs.</u>

REVISED 2/25/09
Deleted university 5/25/2011
Revised Oct. 2017.

LOWER LEVEL COURSES

	Cr. Hrs.	
— EDFX005		Intro to Education
&—		
— AMLXXXX (1)	3-9	
or— LITXXXX	3-9	
or— ENCXXXX	3-9	
or— ENLXXXX	3-9	
&—		
— AMHXXXX	3-9	
or— WOHXXXX	3-9	
or— EUHXXXX	3-9	
or— POSXXXX	3-9	

FOR ALL MAJORS: Students are strongly encouraged to select required lower division electives that will enhance their general education coursework and that will support their intended baccalaureate degree program. Students should consult with an academic advisor in their major degree area.

FOR EDUCATION MAJORS: General education courses will be determined by the community college or university where the student currently is earning the Associate in Arts or baccalaureate degree, and will be published in the institution's existing catalog and delineated in the Statewide Course Numbering System.

-
- (1) Or Expository Writing or a lower division journalism course (e.g., Feature Article Writing).

Program:	<u>Jr. High/Middle School Teacher Education</u>	CIP:	<u>13.1203</u>
	<u>Middle Grade Math/Middle Grade English Education</u>	Track:	<u>3/7</u>
Offered At:	<u>UWF</u>	Program Length:	<u>120 Cr. Hrs.</u>

REVISED 2/25/09
 Revised 5/26/2010 to reflect credit hour correction.
 Deleted university 5/25/2011
 Footnote deleted and revised 9/13/2016
 Revised Oct. 2017

LOWER LEVEL COURSES

	Cr. Hrs.	
EDFX005	3	Intro to Education
&— MACX105	3	
or— MACX147	3	
or— MACX114	2-3	
&— MACX140	3	
&— MACX311	4	
&— STAX023	3	
or— STAX122	3	
or— STAX014	3	
&— AMLXXXX ⁽¹⁾	3-9	
or— LITXXXX	3-9	
or— ENCXXXX	3-9	
or— ENLXXXX	3-9	

FOR ALL MAJORS: Students are strongly encouraged to select required lower division electives that will enhance their general education coursework and that will support their intended baccalaureate degree program. Students should consult with an academic advisor in their major degree area.

FOR EDUCATION MAJORS: General education courses will be determined by the community college or university where the student currently is earning the Associate in Arts or baccalaureate degree, and will be published in the institution's existing catalog and delineated in the Statewide Course Numbering System.

 (1) or Expository Writing or a lower division journalism course (e.g., Feature Article Writing).

Program:	<u>Jr. High/Middle School Teacher Education</u>	CIP:	<u>13.1203</u>
	<u>Middle Grade Math/Middle Grade Social Science Education</u>	Track:	<u>4/7</u>
Offered At:	<u>UWF</u>	Program Length:	<u>120 Cr. Hrs.</u>

REVISED 2/25/09
 Revised 5/26/2010 to reflect credit hour correction.
 Deleted university 5/25/2011
 Revised Oct. 2017

LOWER LEVEL COURSES

	Cr. Hrs.	
EDFX005	3	Intro to Education
&— MACX105	3	
or— MACX147	3	
or— MACX114	2-3	
&— MACX140	3	
&— MACX311	4	
&— STAX023	3	
or— STAX122	3	
or— STAX014	3	
&— AMHXXXX	3-9	
or— WOHXXXX	3-9	
or— EUHXXXX	3-9	
or— POSXXXX	3-9	

FOR ALL MAJORS: Students are strongly encouraged to select required lower division electives that will enhance their general education coursework and that will support their intended baccalaureate degree program. Students should consult with an academic advisor in their major degree area.

FOR EDUCATION MAJORS: General education courses will be determined by the community college or university where the student currently is earning the Associate in Arts or baccalaureate degree, and will be published in the institution's existing catalog and delineated in the Statewide Course Numbering System.

Program:	<u>Jr. High/Middle School Teacher Education</u>	CIP:	<u>13.1203</u>
	<u>Middle Grade Science/Middle Grade English Education</u>	Track:	<u>5/7</u>
Offered At:	<u>UWF</u>	Program Length:	<u>120 Cr. Hrs.</u>

REVISED 2/25/09
Deleted university 5/25/2011
Footnote deleted and revised 9/13/2016
Revised Oct. 2017
Technical 1/2/2019

LOWER LEVEL COURSES

	Cr. Hrs.	
—	3	Intro to Education
&—	4	EDFX005
—	4	ESCXXXXC
—	4	or— GLYXXXXC
—	4	or— METXXXXC
—	4	or— OCEXXXXC
—	4	or— ASTXXXXC
&—	4	BSCX010C
—	4	or— BSCX010/X010L
&—	4	CHMX045/X045L
—	4	or— PHYX053/X053L
—	4	or— PHYX048/X048L
&—	3-9	AMLXXXX (1)
—	3-9	or— LITXXXX
—	3-9	or— ENCXXXX
—	3-9	or— ENLXXXX

FOR ALL MAJORS: Students are strongly encouraged to select required lower division electives that will enhance their general education coursework and that will support their intended baccalaureate degree program. Students should consult with an academic advisor in their major degree area.

FOR EDUCATION MAJORS: General education courses will be determined by the community college or university where the student currently is earning the Associate in Arts or baccalaureate degree, and will be published in the institution's existing catalog and delineated in the Statewide Course Numbering System.

(1) or Expository Writing or a lower division journalism course (e.g., Feature Article Writing).

Program:	<u>Jr. High/Middle School Teacher Education</u>	CIP:	<u>13.1203</u>
	<u>Middle Grade Science/Middle Grade Social Science Education</u>	Track:	<u>6/7</u>
Offered At:	<u>UWF</u>	Program Length:	<u>120 Cr. Hrs.</u>

REVISED 2/25/09
Deleted university 5/25/2011
Footnote deleted and revised 9/13/2016
Revised Oct. 2017; Technical 1/2/2019

LOWER LEVEL COURSES

	Cr. Hrs.	
EDFX005	3	Intro to Education
& ESCXXXXC	4	
or- GLYXXXXC	4	
or- METXXXXC	4	
or- OCEXXXXC	4	
or- ASTXXXXC	4	
& BSCX010C	4	
or- BSCX010/X010L	4	
& CHMX045/X045L	4	
or- PHYX053/X053L	4	
or- PHYX048/X048L	4	
& AMHXXXX	3-9	
or- WOHXXXX	3-9	
or- EUHXXXX	3-9	
or- POSXXXX	3-9	

FOR ALL MAJORS: Students are strongly encouraged to select required lower division electives that will enhance their general education coursework and that will support their intended baccalaureate degree program. Students should consult with an academic advisor in their major degree area.

FOR EDUCATION MAJORS: General education courses will be determined by the community college or university where the student currently is earning the Associate in Arts or baccalaureate degree, and will be published in the institution's existing catalog and delineated in the Statewide Course Numbering System.

Program:	<u>Jr. High/Middle School Teacher Education</u>	CIP:	<u>13.1203</u>
	<u>Middle Grade English/Middle Grade Special Education</u>	Track:	<u>7/7</u>
Offered At:	<u>UWF</u>	Program Length:	<u>120 Cr. Hrs.</u>

REVISED 2/25/09
Deleted university 5/25/2011
Footnote deleted and revised 9/13/2016.
Revised Oct. 2017

LOWER LEVEL COURSES

	Cr. Hrs.	
└─ EDFX005	3	Intro to Education
&└─ AMLXXXX (1)	3-9	
└─ or─ LITXXXX	3-9	
└─ or─ ENCXXXX	3-9	
└─ or─ ENLXXXX	3-9	

FOR ALL MAJORS: Students are strongly encouraged to select required lower division electives that will enhance their general education coursework and that will support their intended baccalaureate degree program. Students should consult with an academic advisor in their major degree area.

FOR EDUCATION MAJORS: General education courses will be determined by the community college or university where the student currently is earning the Associate in Arts or baccalaureate degree, and will be published in the institution's existing catalog and delineated in the Statewide Course Numbering System.

-
- (1) or Expository Writing or a lower division journalism course (e.g., Feature Article Writing).

Program: Landscape Architecture **CIP:** 04.0601
Track: 1
Offered At: UF* **Program Length:** 144 Cr. Hrs.

REVISED 5/27/09
 Credit Hour Adjustment 2/28/2018
 Technical Revision 7/3/2018
 Technical revisions 7/5/2018
 Technical 6/19/2019

LOWER LEVEL COURSES

	Cr. Hrs.
— ARHX050	3
&— BOTX010	3
&— LAAX920	3
&— LAAX330	4
&— LAAX350C	5
&— LAAX710	4
&— LAAX532	3

FOR ALL MAJORS: Students are strongly encouraged to select required lower division electives that will enhance their general education coursework and that will support their intended baccalaureate degree program. Students should consult with an academic advisor in their major degree area.

* Limited Access.

Program: Landscape and Nursery Horticulture

CIP: 01.0603

Track: 1

Offered At: UF

Program Length: 120 Cr. Hrs.

REVISED 2/25/09
Technical 12/11/2018

LOWER LEVEL COURSES

	Cr. Hrs.	
MACX147	4	
or- MACX140		
&- MACX114		
or- MACX105		
&- MACX114		
&- CHMX045/X045L	4	General Chemistry I w/ Lab
or- CHMX045C	4	General Chemistry I w/ Lab
or- CHMX040		
&- CHMX041		
&- CHMX045L		
&- BOTX010C	4	Botany I w/ Lab
or- BOTX010/X010L	4	Botany I w/ Lab
or- BSCX010/X010L	4	Biology I w/ Lab
or- BSCX010C	4	Biology I w/ Lab
&- BOTX011C	4	Plant Diversity and Lab
or- BOTX011/X011L	4	Plant Diversity and Lab
or- BSCX011/X011L	4	Biology II w/ Lab
or- BSCX011C	4	Biology II w/ Lab
&- PHYX004	3	Applied Physics I
or- PHYX020	3	Introduction to Physics
&- ECOX023	3	Microeconomics
&- SPCX608	3	
&- ENCX210	3	
or- ENCX213	3	

FOR ALL MAJORS: Students are strongly encouraged to select required lower division electives that will enhance their general education coursework and that will support their intended baccalaureate degree program. Students should consult with an academic advisor in their major degree area.

NOTE: Students who select the Restoration Horticulture option must complete CHMX046/X046L and MACX233 with grades of C or better.

Program:	<u>Latin</u>	CIP:	<u>16.1203</u>
		Track:	<u>1</u>
Offered At:	<u>FSU</u>	Program Length:	<u>120 Cr. Hrs.</u>

REVISED 5/27/09

LOWER LEVEL COURSES

—	LATX220 (1)	Cr. Hrs.
		4

FOR ALL MAJORS: Students are strongly encouraged to select required lower division electives that will enhance their general education coursework and that will support their intended baccalaureate degree program. Students should consult with an academic advisor in their major degree area.

-
- (1) Complete the course or equivalent or higher proficiency or demonstrate proficiency by testing.

NOTE: Native or heritage speakers or other persons with experience in a foreign language may qualify for a higher level language course, or exempt course(s) entirely. Please see the institution to ensure proper advising and placement.

NOTE: Some institutions require a minimum grade in the language courses. Please check with the institution.

Program:	<u>Latin American Studies</u>	CIP:	<u>05.0134</u>
		Track:	<u>1</u>
Offered At:	<u>FSU</u>	Program Length:	<u>120 Cr. Hrs.</u>

REVIEWED - NO CHANGE 5/27/09

CIP Code changed from 05.0107 to 05.0134 Summer 2010.

UCF offers this degree program under CIP 05.0107.

Technical revisions 7/3/2018

LOWER LEVEL COURSES

There are no specified common prerequisites for this major. All Florida College System students are encouraged to complete the Associate degree. Students should consult with an academic advisor in their major degree area at the intended transfer institution.

Program:	<u>Latin American Studies</u>	CIP:	<u>05.0107</u>
		Track:	<u>1</u>
Offered At:	<u>UCF</u>	Program Length:	<u>120 Cr. Hrs.</u>

FSU offers this program under CIP 05.0134.

New 9/1/2011

Technical revision 7/3/2018

LOWER LEVEL COURSES

There are no specified common prerequisites for this major. All Florida College System students are encouraged to complete the Associate degree. Students should consult with an academic advisor in their major degree area at the intended transfer institution.

Program:	<u>Legal Assisting</u>	CIP:	<u>22.0302</u>
		Track:	<u>1/2</u>
Offered At:	<u>FGCU, UWF</u>	Program Length:	<u>120 Cr. Hrs.</u>

REVISED 10/22/08

Technical revision 7/3/2018

FGCU added and UCF deleted 10/24/2018

LOWER LEVEL COURSES

There are no specified common prerequisites for this major. All Florida College System students are encouraged to complete the Associate degree. Students should consult with an academic advisor in their major degree area at the intended transfer institution.

Local articulation agreements between institutions that allow for specific courses at the Florida College System (FCS) institution to be recognized and accepted by receiving institutions are still in place. If you are a FCS student, please see your advisor to see if there are any local agreements that are relevant to your transfer.

Technical revision 7/3/2018

Program:	<u>Legal Studies, General (UCF)</u>	CIP:	<u>22.0000</u>
		Track:	<u>1</u>
Offered At:	<u>UCF</u>	Program Length:	<u>120 Cr. Hrs.</u>

Technical revision 7/3/2018

LOWER LEVEL COURSES

There are no specified common prerequisites for this major. All Florida College System students are encouraged to complete the Associate degree. Students should consult with an academic advisor in their major degree area at the intended transfer institution.

Program:	<u>Liberal Arts & Sciences</u>	CIP:	<u>24.0101</u>
		Track:	<u>1</u>
Offered At:	<u>FAU, FIU, UNF, USF, USFSM</u>	Program Length:	<u>120 Cr. Hrs.</u>

(NOTE: This includes an Honors College Research emphasis at USF)

REVISED 2/25/09

Revised 5/26/2010

Deleted university 10/24/2012

Technical revision 7/3/2018

Technical additions 8/26/2019, 9/25/2019

Reflects the same curriculum at both the USF Tampa and USF Sarasota-Manatee campus.

LOWER LEVEL COURSES

There are no specified common prerequisites for this major. All Florida College System students are encouraged to complete the Associate degree. Students should consult with an academic advisor in their major degree area at the intended transfer institution.

- (1) The program is the Bachelor of General Studies is offered at University of South Florida at Tampa and the University of South Florida at Sarasota-Manatee campuses.

Program: Linguistics **CIP:** 16.0102
Track: 1
Offered At: UF **Program Length:** 120 Cr. Hrs.

REVISED 5/27/09
FAU terminated degree Fall 2018

LOWER LEVEL COURSES

— XXXXXXXX (1) **Cr. Hrs.**
6-12

FOR ALL MAJORS: Students are strongly encouraged to select required lower division electives that will enhance their general education coursework and that will support their intended baccalaureate degree program. Students should consult with an academic advisor in their major degree area.

- (1) Must demonstrate proficiency by testing or completion of a foreign language through the intermediate level.

NOTE: Native or heritage speakers or other persons with experience in a foreign language may qualify for a higher level language course, or exempt course(s) entirely. Please see the university to ensure proper advising and placement.

Program:	<u>Management Information Systems</u>	CIP:	<u>52.1201</u>
	<u>Business/Data Processing/Business Information Management</u>	Track:	<u>1</u>
Offered At:	<u>FAU, FGCU, FIU*, FSU*, SSCF, USF*, UWF</u>	Program Length:	<u>120 Cr. Hrs.</u>

Added institution 3/2/11
 Revised 5/25/11
 Added campus 10/24/2012
 Add course option 10/23/2013
 REVISED 10/28/15
 Added institution 4/27/2016
 Technical 12/11/2018; 9/25/2019
 Revised 4/8/19 to reflect that the curriculum is taught at both the USF Tampa and USF St. Petersburg campus.

LOWER LEVEL COURSES

	Cr. Hrs.	
ACGX021	3	Principles of Financial Accounting
or- ACGX022	3	
or- ACGX001	3	Principles of Accounting I
&- ACGX011	3	Principles of Accounting II
&- ACGX071	2-3	
or- ACGX301	2-3	
&- CGSX100 ⁽¹⁾	3-4	
or- CGSX100C	3-4	
or- CGSX570	3-4	
or- CGSX060	3-4	
or- CGSX531	3-4	
or- CGSX000	3-4	
or- ISMX000	3-4	
or- CGSX518	3	
&- ECOX013	3	Principles of Macroeconomics
&- ECOX023	3	Principles of Microeconomics
&- MACX233	3-4	Calculus for Business and Social Sciences I
or- MACX311		Calculus I
&- STAX023	3-4	
or- STAX122	3-4	
or- QMBX100	3-4	

FOR ALL MAJORS: Students are strongly encouraged to select required lower division electives that will enhance their general education coursework and that will support their intended baccalaureate degree program. Students should consult with an academic advisor in their major degree area.

(1) or demonstrated competency
 * Limited Access.

Program: Management Science/ Science and Technology
Management

CIP: 52.1301

Track: 1

Offered At: FIU, POLY, UF

Program Length: 120 Cr. Hrs.

REVISED 10/22/08
Revised 5/28/2018
Technical Revision 7/17/2018
Technical 12/11/2018

LOWER LEVEL COURSES

	Cr. Hrs.	
ACGX021	3	Principles of Financial Accounting
or- ACGX022	3	
or- ACGX001	3	
&- ACGX011	3	
&- ACGX071	2-3	
or- ACGX301	2-3	
&- CGSX100 ⁽¹⁾	3-4	
or- CGSX100C	3-4	
or- CGSX570	3-4	
or- CGSX060	3-4	
or- CGSX531	3-4	
or- CGSX000	3-4	
&- ECOX013	3	
&- ECOX023	3	
&- STAX023	3-4	
or- STAX122	3-4	
or- QMBX100	3-4	
&- MACX233		

FOR ALL MAJORS: Students are strongly encouraged to select required lower division electives that will enhance their general education coursework and that will support their intended baccalaureate degree program. Students should consult with an academic advisor in their major degree area.

(1) or demonstrated competency

Program: Marine Science

CIP: 03.0205

Track: 1/2

Offered At: FGCU

Program Length: 120 Cr. Hrs.

NEW 5/27/09

Revised Oct. 2010

Revised spring 2016

Technical revision 9/27/2018

Added course 6/11/2019

Technical 9/23/2019

LOWER LEVEL COURSES

	Cr. Hrs.
MACX311	4
or- STAX122	3
&- STAX023	3
&- Select from the following:	
or- CHMX045C	4
or- Take both courses:	
&- CHMX045/X045L	4
&- Select from the following:	
or- CHMX046C	4
or- Take both courses:	
&- CHMX046/X046L	4
&- Select from the following:	
or- GLYX000C	4
or- Take both courses:	
&- GLYX000/X000L	4
or- GLYX010C	4
or- Take both courses:	
&- GLYX010/X010L	4
&- Select from the following:	
or- PHYX053C	5
or- Take both courses:	
&- PHYX053/X053L	5
&- BSCX010C	4
&- Take both courses:	
&- BSCX010/X010L	4
&- Select from the following:	
or- BSCX011C	4
or- Take both courses:	
&- BSCX011/X011L	4

(Please see notes in the following page)

(Continues from previous page)

FOR ALL MAJORS: Students are strongly encouraged to select required lower division electives that will enhance their general education coursework and that will support their intended baccalaureate degree program. Students should consult with an academic advisor in their major degree area.

Program: Marine/Aquatic Biology

CIP: 26.1302

Track: 1

Offered At: FIU, UWF

Program Length: 120 Cr. Hrs.

REVISED 10/22/08

Technical revision 7/9/2018

Technical 12/11/2018

Technical 6/18/2019

LOWER LEVEL COURSES

	Cr. Hrs.
_____ BSCX010/X010L	4
or- BSCX010C	4
or- BSCX040C	f
& _____ BSCX011/X011L	4
or- BSCX011C	4
or- BSCX041C	4
& _____ CHMX045/X045L	4
or- CHMX045C	4
or- CHMX040	3
&- CHMX041	1
& _____ CHMX046/X046L	4
or- CHMX046C	4
& _____ CHMX210/X210L	4
or- CHMX210C	4
or- PHYX048/X048L	4
& _____ CHMX211/X211L	4
or- CHMX211C	4
or- PHYX044	3
&- PHYX049L	1
or- PHYX049/X049L	4
& _____ MACX311	4
or- MACX233	4
or- MACX281	4
or- MACX241	4
& _____ MACX312	4
or- MACX282	4
or- STAX023	4
or- STAX024	4
or- STAX321	4
or- MACX234	4
or- STAX014	4

(Please see notes in the following page)

(Continues from previous page)

FOR ALL MAJORS: Students are strongly encouraged to select required lower division electives that will enhance their general education coursework and that will support their intended baccalaureate degree program. Students should consult with an academic advisor in their major degree area.

Program: Maritime Studies **CIP:** 45.9999
Track: 1
Offered At: UWF **Program Length:** 120 Cr. Hrs.

NEW 9/15/03

LOWER LEVEL COURSES

	Cr. Hrs.
— ANT X138	1
&— ANT X000	3
&— BSC X311/X311L	4
&— EUHX000	3
&— EUHX001	3
&— INRX002	3
&— STAX023	3
&— GEOX200/X200L	4
or— GLYX010/X010L	4

Program:	<u>Marketing, Other</u>	CIP:	<u>52.1499</u>
	<u>Advertising</u>	Track:	<u>1</u>
Offered At:	<u>USF*</u>	Program Length:	<u>120 Cr. Hrs.</u>

New 2011.
 Technical 12/11/2018

LOWER LEVEL COURSES

	Cr. Hrs.
ACGX021	3
or- ACGX022	3
or- ACGX001	3
&- ACGX011	3
&- ACGX071	2-3
or- ACGX301	2-3
&- CGSX100 ⁽¹⁾	3-4
or- CGSX100C	3-4
or- CGSX570	3-4
or- CGSX060	3-4
or- CGSX531	3-4
or- CGSX000	3-4
or- ISMX000	3-4
&- ECOX013	3
&- ECOX023	3
&- STAX023	3-4
or- STAX122	3-4
or- QMBX100	3
&- MACX233	

(1) or demonstrated competency.

NOTE: The common prerequisite courses must be completed with a grade of C- or higher in each course and with an overall 2.0 grade point average.

Students are strongly encouraged to select required lower division electives that will enhance their general education coursework and that will support their intended baccalaureate degree program. Students should consult with an academic advisor in their major degree area.

* Limited Access.

Program: Materials Engineering

CIP: 14.1801

Track: 1

Offered At: UF

Program Length: 125 Cr. Hrs.

REVISED 2/25/09

Technical course change 10/23/2013

LOWER LEVEL COURSES

	Cr. Hrs.
MACX311	4
or- MACX281	4
& MACX312	4
or- MACX282	4
& MACX313	4
or- MACX283	4
& MAPX302	3
or- MAPX305	3
& CHMX045/X045L	4
or- CHMX045C	4
or- CHSX440/X440L	
& PHYX048/X048L	4
or- PHYX048C	4
or- PHYX060	
&- PHYX048L	
& PHYX049/X049L	4
or- PHYX049C	4
or- PHYX061	
&- PHYX049L	
& CHMX046/X046L	4
or- CHMX046C	4
or- CHMX051	
&- CHMX046L	

FOR ALL MAJORS: Students are strongly encouraged to select required lower division electives that will enhance their general education coursework and that will support their intended baccalaureate degree program. Students should consult with an academic advisor in their major degree area.

Program:	<u>Mathematics Teacher Education</u>	CIP:	<u>13.1311</u>
	<u>Secondary Mathematics Education</u>	Track:	<u>1/2</u>
Offered At:	<u>BC, CC, DSC, FAU, FSWSC, IRSC, MDC, UNF, USF</u>	Program Length:	<u>120 Cr. Hrs.</u>
	<u>SPC</u>		<u>123</u>

(FGCU track under a different CIP number)

(UF students get their bachelor's degree in discipline)

Please note that FSU and FIU offer Mathematics Teacher Education as a track within 27.0101. Common prerequisites required for these programs are different.

Revised 2/24/2010

Removed university 10/24/2012

Deleted FAMU 4/27/2016

Footnote deleted and revised 9/13/2016

Transferred UCF to CIP 13.1205 May 2017

Revised Oct. 2017

Revised Feb. 2018

LOWER LEVEL COURSES

	Cr. Hrs.	
├── EDFX005	3	Intro to Education
&├── MACX311	4	
&├── MACX312	4	
&├── MACXXXX	4	
├── or── MTGXXXX	4	
├── or── MASXXXX	4	

FOR ALL MAJORS: Students are strongly encouraged to select required lower division electives that will enhance their general education coursework and that will support their intended baccalaureate degree program. Students should consult with an academic advisor in their major degree area.

FOR EDUCATION MAJORS: General education courses will be determined by the college or university where the student currently is earning the Associate in Arts or baccalaureate degree, and will be published in the institution's existing catalog and delineated in the Statewide Course Numbering System.

Program:	<u>Mathematics Teacher Education</u>	CIP:	<u>13.1311</u>
	<u>Jr. High/Middle School Mathematics Education</u>	Track:	<u>2/2</u>
Offered At:	<u>BC, CC, FSWSC, IRSC, NWFSC, SPC</u>	Program Length:	<u>120 Cr. Hrs.</u>

REVISED 5/27/09

REVISED 10/27/10

Footnote deleted and revised 9/13/2016

Footnote deleted and revised 10/18/17

LOWER LEVEL COURSES

	Cr. Hrs.	
├── EDFX005	3	Intro to Education
&├── MACX311	4	
&├── MACXXXX	4	

FOR ALL MAJORS: Students are strongly encouraged to select required lower division electives that will enhance their general education coursework and that will support their intended baccalaureate degree program. Students should consult with an academic advisor in their major degree area.

FOR EDUCATION MAJORS: General education courses will be determined by the college or university where the student currently is earning the Associate in Arts or baccalaureate degree, and will be published in the institution's existing catalog and delineated in the Statewide Course Numbering System.

Program:	<u>Mathematics, General</u>	CIP:	<u>27.0101</u>
	<u>Mathematics, General</u>	Track:	<u>1/4</u>
Offered At:	<u>FAMU, FAU, FGCU, FIU, FSU, UCF, UF, UNF, USF, UWF</u>	Program Length:	<u>120 Cr. Hrs.</u>

REVISED 10/22/08
 REVISED 2/24/2010
 Removed limited access 5/22/2013
 Revised 6/12/2019
 Technical addition 8/26/2019
 Technical 9/23/2019

LOWER LEVEL COURSES

	Cr. Hrs.	
MACX311	4	Calculus I
&- MACX312	4	Calculus w/ Analytic Geometry II
&- MACX313	4	Calculus w/ Analytic Geometry III
&- _____		
or- BSCX010/X010L		
or- CHMX045/X045L		
or- PHYX048/X048L		
or- GLYX010/X010L		
or- BSCX010C		
or- CHMX045C		
or- PHYX048C		
or- GLYX010C		
&- MAPX302	4	
&- Select one from the following: ⁽¹⁾		
or- COPX271C	3	Introduction to Computation and Programming
or- COPX210	3	Pascal Programming I
or- COPX270		Programming in C for Engineers
or- COPX272C		C/C++/JAVA Programming
or- COPX001		Introduction to Computer Programming II
or- COPX500		Intro to Computer Science
or- COPX006		Introduction to Programming

FOR ALL MAJORS: Students are strongly encouraged to select required lower division electives that will enhance their general education coursework and that will support their intended baccalaureate degree program. Students should consult with an academic advisor in their major degree area.

-
- (1) a scientific programming course designed for computer science majors
 (2) one laboratory based science course designed for science majors
 NOTE that all universities require a 'C' grade or better for admission.

Program: Mathematics, General
UWF Teach
Offered At: UWF

CIP: 27.0101
Track: 2/4
Program Length: 120 Cr. Hrs.

REVISED 10/28/09
 Revised 2/24/2010
 Modified to reflect UWF Teach April 2016
 Technical revision 9/4/2018
 Technical 12/11/2018
 Revised 6/12/2019
 Technical 9/23/2019

LOWER LEVEL COURSES

	Cr. Hrs.
— EDGX041	3
&— MAPX302	4
&— MACX311	4
&— MACX312	
&— MACX313	4
&— Select from the following: (2)	
or— BSCX010C	4
or— Take both courses:	
&— BSCX010/X010L	5
or— CHMX045C	4
or— Take both courses:	
&— CHMX045/X045L	4
or— PHYX048C	5
or— Take both courses:	
&— PHYX048/X048L	5
or— GLYX010C	4
or— Take both courses:	
&— GLYX010/X010L	
&— Select one of the following courses: (1)	
or— COPX271C	
or— COPX210	
or— COPX270	
or— COPX272C	
or— COPX001	

- (1) Computer language (Pascal, FORTRAN, C, C+, OR C++).
 (2) Lab must correspond with the lecture course number.

Program:	<u>Mathematics, General</u>	CIP:	<u>27.0101</u>
	<u>FSU-Teach</u>	Track:	<u>3/4</u>
Offered At:	<u>FSU</u>	Program Length:	<u>120 Cr. Hrs.</u>

NEW 5/27/09
 REVISED 10/28/2009
 Revised 2/24/2010
 Technical 9/23/2019

LOWER LEVEL COURSES

	Cr. Hrs.
MACX311	4
&- MACX312	4
&- MACX313	4
&- _____ BSCX010/X010L	4
or- CHMX045/X045L	4
or- PHYX048/X048L	4
or- GLYX010/X010L	4
or- BSCX010C	
or- CHMX045C	
or- PHYX048C	
or- GLYX010C	
&- MAPX302	4
&- SMTX043 ⁽¹⁾	1
&- SMTX053 ⁽¹⁾	1
&- Select from the following::	
or- COPX271C	3
or- COPX210	
or- COPX270	
or- COPX272C	
or- SOPX001	

FOR ALL MAJORS: Students are strongly encouraged to select required lower division electives that will enhance their general education coursework and that will support their intended baccalaureate degree program. Students should consult with an academic advisor in their major degree area.

 NOTE: Transfer students will be able to take Step 1 and Step 2 courses when admitted to upper division.

NOTE that all universities require a 'C' grade or better for admission.

(1) Transfer students will be able to take SMTX043 and SMTX053 when admitted to upper division.

Program:	<u>Mathematics, General</u>	CIP:	<u>27.0101</u>
	<u>Mathematics Teacher Education</u>	Track:	<u>4/4</u>
Offered At:	<u>FIU</u>	Program Length:	<u>120 Cr. Hrs.</u>

REVISED 10/22/08
NEW 2/24/2010

LOWER LEVEL COURSES

	Cr. Hrs.	
MACX311	4	Calculus I
&- MACX312	4	Calculus w/ Analytic Geometry II
&- MACX313	4	Calculus w/ Analytic Geometry III
&- _____		
or- BSCX010/X010L		
or- CHMX045/X045L		
or- PHYX048/X048L		
or- GLYX010/X010L		
or- BSCX010C		
or- CHMX045C		
or- PHYX048C		
or- GLYX010C		
&- MAPX302	4	
&- Select from the following: ⁽¹⁾		
or- COPX271C		
or- COPX210		
or- COPX270		
or- COPX270C		
or- COPX001		

FOR ALL MAJORS: Students are strongly encouraged to select required lower division electives that will enhance their general education coursework and that will support their intended baccalaureate degree program. Students should consult with an academic advisor in their major degree area.

-
- (1) a scientific programming course designed for computer science majors
 - (2) one laboratory based science course designed for science majors
- NOTE that all universities require a 'C' grade or better for admission.

Program: Mathematics: Computational and Applied **CIP:** 27.0304
Track: 1
Offered At: USF **Program Length:** 120 Cr. Hrs.

New 10/24/2018

Curriculum is offered at the USF St. Petersburg campus.

Technical 9/25/2019

LOWER LEVEL COURSES

	Cr. Hrs.	
Take one of the following courses:		
or- COPX030	3	Programming Concepts
or- COPX360		
or- COPX222		
or- COPX250		
&- STAX023	3	Introductory Statistics I
&- MACX311	4	Calculus I
&- MACX312	4	Calculus II
&- MACX313	4	Calculus III
&- MAPX302	3	Differential Equations
&- Select one course and corresponding lab: ⁽¹⁾		
or- Take both courses:		
&- ASTX002/X002L	4	
or- Take both courses:		
&- BSCX005/X005L		
or- Take both courses:		
&- BSCX010/X010L		
or- Take both courses:		
&- BSCX085/X085L		
or- Take both courses:		
&- CHMX020/X020L		
or- Take both courses:		
&- CHMX045/X045L		
or- Take both courses:		
&- ESCX000/X000L		
or- Take both courses:		
&- EVRX001/X001L		
or- Take both courses:		
&- PHYX020/X020L		
or- Take both courses:		
&- PHYX048/X048L		
or- Take both courses:		
&- PHYX053/X053L		

(Please see notes in the following page)

(Continues from previous page)

- (1) Students are required to take a four (4) credit hour general education core natural science course and its associated lab prior to being admitted into the program. Please select a course at your institution that includes both lecture and lab options.

Program:	<u>Mechanical Engineering</u>	CIP:	<u>14.1901</u>
		Track:	<u>1/2</u>
Offered At:	<u>POLY</u>	Program Length:	<u>120 Cr. Hrs.</u>
	<u>FAMU, FAU, FIU</u>		<u>128</u>

Revised course 10/23/2013

Note: Florida Polytechnic Geometric Dimensioning and Tolerance; Motion Intelligence; and Multifunctional Materials majors are under this common prerequisite program.

Institution and course option added 6/30/2014

REVISED May 2015

Technical Revision 7/18/2018

LOWER LEVEL COURSES

	Cr. Hrs.
MACX311	4
or- MACX281	4
& MACX312	4
or- MACX282	4
& MACX313	4
or- MACX283	4
& MAPX302	3
or- MAPX305	3
& CHMX045/X045L	4
or- CHMX045C	4
or- CHSX440/X440L	
or- Take all of the following:	
& CHSX440	3
& CHMX045L	1
& PHYX048/X048L	4
or- PHYX048C	4
or- PHYX041	3
& PHYX048L	1
& PHYX049/X049L	4
or- PHYX049C	4
or- PHYX044	
& PHYX049L	
or- PHYX042	3
& PHYX049L	1

FOR ALL MAJORS: Students are strongly encouraged to select required lower division electives that will enhance their general education coursework and that will support their intended baccalaureate degree program. Students should consult with an academic advisor in their major degree area.

Program:	<u>Mechanical Engineering</u>	CIP:	<u>14.1901</u>
	<u>Nanotechnology</u>	Track:	<u>2/2</u>
Offered At:	<u>POLY</u>	Program Length:	<u>120 Cr. Hrs.</u>

New Track 6/30/2014

Technical revision 7/3/2018

LOWER LEVEL COURSES

	Cr. Hrs.	
MACX311	4	
or-		MACX281
&-		MACX312
or-		MACX282
&-		MACX313
or-		MACX283
&-		MAPX302
or-		MAPX305
&-		CHMX045/X045L
or-		CHMX045C
or-		CHSX440/X440L
or-		Take all of the following:
&-		CHSX440
&-		CHMX045L
&-		PHYX048/X048L
or-		PHYX048C
&-		PHYX049/X049L
or-		PHYX049C
or-		PHYX044
&-		PHYX049L
&-		Select from the following:
or-		BSCX010C
or-		Select both:
&-		BSCX010/X010L

FOR ALL MAJORS: Students are strongly encouraged to select required lower division electives that will enhance their general education coursework and that will support their intended baccalaureate degree program. Students should consult with an academic advisor in their major degree area.

NOTE: The university requires all students to take Introduction to Engineering as part of the degree program. This course will also be offered during the summer.

Program:	<u>Medical Technology/Clinical Laboratory Sciences</u>	CIP:	<u>51.1005</u>
		Track:	<u>1/2</u>
Offered At:	<u>USF</u>	Program Length:	<u>120 Cr. Hrs.</u>
	<u>SFC</u>		<u>125</u>
	<u>FGCU*, UCF*</u>		<u>126</u>
	<u>UWF*</u>		<u>128</u>

UNF offers its Medical Lab sciences program under a different CIP: 26.0101.
Duplication removed 10/23/2013
REVISED 10/28/15
Technical revision 7/5/2018
UWF hours to degree modified 11/26/2018
Technical 12/11/2017

LOWER LEVEL COURSES

	Cr. Hrs.
BSCX010C	4
or- BSCX011C	4
or- Take both courses:	
&- BSCX010/X010L	4
or- Take both courses:	
&- BSCX011/X011L	4
& BSCX093C	4
or- BSCX085C	4
or- ZOOX733C ⁽¹⁾	4
or- Take both courses:	
&- BSCX093/X093L	4
or- Take both courses:	
&- BSCX085/X085L	4
or- Take both courses: ⁽¹⁾	
&- ZOOX733/X733L	4
or- Take both courses:	
&- ZOOX731/X731L	4
& BSCX094C	4
or- BSCX086C	4
or- PCBX703C	4
or- Take both courses	
&- BSCX094/X094L	4
or- Take both courses:	
&- BSCX086/X086L	4
or- Take both courses:	
&- PCBX703/X703L	4
or- Take both courses:	
&- PCBX134/X134L	4
& CHMX045C	4
or- Take both courses:	
&- CHMX045/X045L	4
& CHMX046C	4
or- Take both courses	
&- CHMX046/X046L	4
& CHMX210C	4
or- Take both courses:	
&- CHMX210/X210L	4
& CHMX211C	4
or- Take both courses:	
&- CHMX211/X211L	4
& MCBX013C	4
or- MCBX020C	4
or- MCBX010C ⁽¹⁾	4
or- Take both courses:	
&- MCBX020/X020L	4
or- Take both courses:	
&- MCBX023/X023L	4
or- Take both courses ⁽¹⁾	
&- MCBX010/X010L	4
& STAX014	3
or- STAX023	3
or- STAX024	3
or- STAX321	3

FOR ALL MAJORS: Students are strongly encouraged to select required lower division electives that will enhance their general education coursework and that will support their intended baccalaureate degree program. Students should consult with an academic advisor in their major degree area.

(1) UWF does not accept this course as prerequisite.
Institutions require a 'C' or better in common prerequisite coursework.

* Limited Access.

Program: Microbiology/Bacteriology

CIP: 26.0503

Track: 1

Offered At: UCF, UF, USF

Program Length: 120 Cr. Hrs.

REVISED 10/22/08
Technical 12/12/2018

LOWER LEVEL COURSES

	Cr. Hrs.
_____ BSCX010/X010L	4
or- BSCX010C	4
or- BSCX040C	
&_____ BSCX011/X011L	4
or- BSCX011C	4
or- BSCX041C	
&_____ CHMX045/X045L	4
or- CHMX045C	4
or- CHMX040	3
&- CHMX041	1
&_____ CHMX046/X046L	4
or- CHMX046C	4
&_____ CHMX210/X210L	4
&- CHMX211/X211L	4
or- CHMX210C	4
&- CHMX211C	4
or- PHYX053/X053L	4
&- PHYX054/X054L	4
or- PHYX048/X048L	4
&- PHYX049/X049L	4
&_____ MACX311	4
or- MACX233	4
or- MACX253	4
or- MACX281	4
&_____ MACX312	4
or- MACX282	4
or- MACX234	4
or- STAX023	4
or- STAX024	4
or- STAX321	4

FOR ALL MAJORS: Students are strongly encouraged to select required lower division electives that will enhance their general education coursework and that will support their intended baccalaureate degree program. Students should consult with an academic advisor in their major degree area.

Program:	<u>Middle Eastern Studies</u>	CIP:	<u>05.0108</u>
		Track:	<u>1</u>
Offered At:	<u>FSU</u>	Program Length:	<u>120 Cr. Hrs.</u>

REVIEWED - NO CHANGE 5/27/09
Technical revision 7/5/2018, 9/27/2018

LOWER LEVEL COURSES

There are no specified common prerequisites for this major. All Florida College System students are encouraged to complete the Associate degree. Students should consult with an academic advisor in their major degree area at the intended transfer institution.

FSU requires 4 semesters in Arabic or Hebrew for the degree (although the courses are not common prerequisites) The courses are ARA or HBR 1120, 1121, 220, 2240.

Program: Motion Picture & Television Technology **CIP:** 50.0602
Offered At: UCF* **Track:** 2/2
Program Length: 120 Cr. Hrs.

NEW 5/27/09

Technical revision 7/5/2018

LOWER LEVEL COURSES

	Cr. Hrs.
— FILX030	3
&— FILX007	3
&— FILXXXX ⁽¹⁾	3
&— FILX107	3
&— FILX480	3
&— FILX461	3

FOR ALL MAJORS: Students are strongly encouraged to select required lower division electives that will enhance their general education coursework and that will support their intended baccalaureate degree program. Students should consult with an academic advisor in their major degree area.

(1) Any introduction to film writing course.

* Limited Access.

Program: Motion Picture & Television Technology,
Multimedia and Video Production Technology
(BAS)

CIP: 50.0602

Offered At: FSU*, MDC, SFC

Track: 1/2

Program Length: 120 Cr. Hrs.

REVISED 5/27/09

Revised 2/24/2010

REVISED 6/30/14

SFC degree program is a B.A.S. degree.

LOWER LEVEL COURSES

	Cr. Hrs.
FILX030 (1)	
or- FILX031 (1)	3
or- FILX032 (1)	3
&- FILX100 (1)	3

FOR ALL MAJORS: Students are strongly encouraged to select required lower division electives that will enhance their general education coursework and that will support their intended baccalaureate degree program. Students should consult with an academic advisor in their major degree area.

- (1) FSU and SFC do not require this course. There are no common prerequisites to the FSU program

Admission to Bachelor of Applied Science (B.A.S.) degree programs usually requires an Associate in Science (A.S.) or Associate in Applied Science (A.A.S.) degree in a related area. If a student has earned an Associate in Arts (A.A.) degree, or an A.S. degree, an A.A.S. degree, or its equivalent in an unrelated area, the student may be admitted on a case-by-case basis with approval of the appropriate academic administrator. Some majors may have licensure or other types of requirements prior to admittance. Due to the variance in specialized B.A.S. degree programs and concentrations, students are strongly encouraged to consult with an academic advisor at the B.A.S degree-granting institution.

* Limited Access.

Program:	<u>Multi-/Interdisciplinary//Integrated Studies</u>	CIP:	<u>30.0000</u>
		Track:	<u>1</u>
Offered At:	<u>FGCU, FIU, UCF</u>	Program Length:	<u>120 Cr. Hrs.</u>

New 5/26/2010. UCF moved from 24.0101 to 30.0000.

Added FGCU 2/28/2018

Technical revisions 7/3/2018

Technical note 9/26/2019; 10/2/2019

LOWER LEVEL COURSES

There are no specified common prerequisites for this major. All Florida College System students are encouraged to complete the Associate degree. Students should consult with an academic advisor in their major degree area at the intended transfer institution.

- (1) This is a Bachelor of Applied Science degree at UCF.

Program:	<u>Multimedia Studies, B.A.</u>	CIP:	<u>09.0702</u>
	<u>Journalism</u>	Track:	<u>1/2</u>
Offered At:	<u>FAU, FGCU, FIU</u>	Program Length:	<u>120 Cr. Hrs.</u>

REVISED 5/27/09

Added university 10/24/2012;

FIU B.S. in Digital Communication and Media added 5/17/2017.

LOWER LEVEL COURSES

	Cr. Hrs.	
└─ ENCX101	3	English 1
&└─ ENCX102	3	English II
&└─ MMCX540	3	
└─ or─ MMCXXXX	3	

FOR ALL MAJORS: Students are strongly encouraged to select required lower division electives that will enhance their general education coursework and that will support their intended baccalaureate degree program. Students should consult with an academic advisor in their major degree area.

 Note: A grade of 'C' or higher is required for all common prerequisites.

Program:	<u>Multimedia Studies, B.A.</u>	CIP:	<u>09.0702</u>
	<u>Film & Video Studies</u>	Track:	<u>2/2</u>
Offered At:	<u>FAU, FSU*</u>	Program Length:	<u>120 Cr. Hrs.</u>

REVISED 5/27/09
 REVISED 10/28/15
 Deleted FGCU 2/28/2018

LOWER LEVEL COURSES

	Cr. Hrs.												
<table border="0" style="display: inline-table; vertical-align: middle;"> <tr> <td style="border-top: 1px solid black; border-left: 1px solid black; border-right: 1px solid black; width: 10px; height: 10px;"></td> <td style="border-top: 1px solid black; border-left: 1px solid black; border-right: 1px solid black; width: 10px; height: 10px;"></td> <td style="border-top: 1px solid black; border-left: 1px solid black; border-right: 1px solid black; width: 10px; height: 10px;"></td> </tr> <tr> <td style="border-left: 1px solid black; width: 10px;"></td> <td style="border-left: 1px solid black; width: 10px;"></td> <td style="border-left: 1px solid black; width: 10px;"></td> </tr> <tr> <td style="border-left: 1px solid black; width: 10px;"></td> <td style="border-left: 1px solid black; width: 10px;"></td> <td style="border-left: 1px solid black; width: 10px;"></td> </tr> <tr> <td style="border-left: 1px solid black; width: 10px;"></td> <td style="border-left: 1px solid black; width: 10px;"></td> <td style="border-left: 1px solid black; width: 10px;"></td> </tr> </table>													<p>MMCX540 or- MMCXXXX &- FILX000</p>
	<p>3 3 3 Film Appreciation</p>												

FOR ALL MAJORS: Students are strongly encouraged to select required lower division electives that will enhance their general education coursework and that will support their intended baccalaureate degree program. Students should consult with an academic advisor in their major degree area.

 A grade of 'C' or higher is required on all common prerequisites.

* Limited Access.

Program: Music Composition

CIP: 50.0904

Track: 1/1

Offered At: FSU*

Program Length: 120 Cr. Hrs.

2/24/2010

Deleted university 10/24/2012

REVISED 10/28/15

Revised 11/26/2018

LOWER LEVEL COURSES

	Cr. Hrs.
├── MUTX111	3
│ └─ or ─ MUTX121	3
& ─┬── MUTX112	3
│ └─ or ─ MUTX122	3
& ─┬── MUTX116	3
│ └─ or ─ MUTX126	3
& ─┬── MUTX117	3
│ └─ or ─ MUTX127	3
& ─ Select from the following options for 4 credits:	
│ └─ or ─┬── MUTX241	1
│ └─ & ─┬── MUTX242	1
│ └─ & ─┬── MUTX246	1
│ └─ & ─┬── MUTX247	1
│ └─ or ─┬── MUTX221	1
│ └─ & ─┬── MUTX222	1
│ └─ & ─┬── MUTX226	1
│ └─ & ─┬── MUTX227	1
│ └─ or ─┬── MUTX271	1
│ └─ & ─┬── MUTX272	1
│ └─ & ─┬── MUTX276	1
│ └─ & ─┬── MUTX277	1
& ─ Take 4 semesters of the following coursework: ⁽¹⁾	
│ └─ & ─┬── MUNXXXX	4
& ─ Take 2 semesters of the following coursework: ⁽¹⁾	
│ └─ & ─┬── MVxXX1X ⁽²⁾	2-4
& ─ Take 2 semesters of the following coursework: ⁽¹⁾	
│ └─ & ─┬── MVxXX2X ⁽²⁾	2-4
& ─ Repeat these courses up to 4 semesters in order to gain piano proficiency: ⁽³⁾	
│ └─ & ─┬── MVKX111	
│ └─ & ─┬── MVKX112	
│ └─ & ─┬── MVKX121	
│ └─ & ─┬── MVKX122	

(Please see notes in the following page)

FOR ALL MAJORS: Students are strongly encouraged to select required lower division electives that will enhance their general education coursework and that will support their intended baccalaureate degree program. Students should consult with an academic advisor in their major degree area.

- (1) Music program national accreditation requires minimum semesters of exposure in specified coursework.
 - (2) DEFINITIONS:
MVxXX1X and MVxXX2X are defined as courses under one of the specified prefixes that constantly maintain the digit 1 or 2 (depending upon which course) while allowing 0-9 to replace each "X." The prefix varies depending upon the student's focus (i.e., Brass, Strings, Woodwinds, etc.) Prefix areas to choose from are MVB, MVH, MVJ, MVK, MVO, MVP, MVS, MVV, and MVW. Two examples of possible courses are MVB1011 or MVP1311. Examples for MVxXX2X are MVW2223 and MVK2222.
 - (3) Or Secondary Piano Proficiency by examination.
- * Limited Access.

Program: Music Performance
Offered At: FGCU*, UCF, UNF*, USF, UWF
FSU*

CIP: 50.0903
Track: 1/1
Program Length: 120 Cr. Hrs.
132

2/24/2010
 Deleted university 10/24/2012
 REVISED 10/28/15
 Revised 11/26/2018

LOWER LEVEL COURSES

	Cr. Hrs.
├── MUTX111	3
│ └─ or ─ MUTX121	3
&├── MUTX112	3
│ └─ or ─ MUTX122	3
&├── MUTX116	3
│ └─ or ─ MUTX126	3
&├── MUTX117	3
│ └─ or ─ MUTX127	3
&├── Select from the following options for 4 credits:	
│ ├─ or ─┬── MUTX241	1
│ │ ├─ & ─┬── MUTX242	1
│ │ │ ├─ & ─┬── MUTX246	1
│ │ │ │ ├─ & ─┬── MUTX247	1
│ │ └─ or ─┬── MUTX221	1
│ │ │ ├─ & ─┬── MUTX222	1
│ │ │ │ ├─ & ─┬── MUTX226	1
│ │ │ │ │ ├─ & ─┬── MUTX227	1
│ │ └─ or ─┬── MUTX271	1
│ │ │ ├─ & ─┬── MUTX272	1
│ │ │ │ ├─ & ─┬── MUTX276	1
│ │ │ │ │ ├─ & ─┬── MUTX277	1
&├── Take 4 semesters of the following coursework: ⁽¹⁾	
│ ├─ & ─┬── MUNXXXX	4
&├── Take 2 semesters of the following coursework: ⁽¹⁾	
│ ├─ & ─┬── MVxXX1X ⁽²⁾	2-4
&├── Take 2 semesters of the following coursework: ⁽¹⁾	
│ ├─ & ─┬── MVxXX2X ⁽²⁾	2-4
&├── Repeat these courses up to 4 semesters in order to gain piano proficiency: ⁽³⁾	
│ ├─ & ─┬── MVKX111	
│ │ ├─ & ─┬── MVKX112	
│ │ │ ├─ & ─┬── MVKX121	
│ │ │ │ ├─ & ─┬── MVKX122	

(Please see notes in the following page)

FOR ALL MAJORS: Students are strongly encouraged to select required lower division electives that will enhance their general education coursework and that will support their intended baccalaureate degree program. Students should consult with an academic advisor in their major degree area.

- (1) Music program national accreditation requires minimum semesters of exposure in specified coursework.
 - (2) DEFINITIONS:
MVxXX1X and MVxXX2X are defined as courses under one of the specified prefixes that constantly maintain the digit 1 or 2 (depending upon which course) while allowing 0-9 to replace each "X." The prefix varies depending upon the student's focus (i.e., Brass, Strings, Woodwinds, etc.) Prefix areas to choose from are MVB, MVH, MVJ, MVK, MVO, MVP, MVS, MVV, and MVW. Two examples of possible courses are MVB1011 or MVP1311. Examples for MVxXX2X are MVW2223 and MVK2222.
 - (3) Or Secondary Piano Proficiency by examination.
- * Limited Access.

Program: Music Studies

CIP: 50.9999

Track: 1/1

Offered At: USF

Program Length: 120 Cr. Hrs.

2/24/2010

Deleted university 10/24/2012

REVISED 10/28/15

Revised 11/26/2018

LOWER LEVEL COURSES

	Cr. Hrs.
├── MUTX111	3
│ └─ or ─ MUTX121	3
& ─┬── MUTX112	3
│ └─ or ─ MUTX122	3
& ─┬── MUTX116	3
│ └─ or ─ MUTX126	3
& ─┬── MUTX117	3
│ └─ or ─ MUTX127	3
& ─ Select from the following options for 4 credits:	
│ └─ or ─┬── MUTX241	1
│ │ └─ & ─┬── MUTX242	1
│ │ │ └─ & ─┬── MUTX246	1
│ │ │ │ └─ & ─┬── MUTX247	1
│ │ └─ or ─┬── MUTX221	1
│ │ │ └─ & ─┬── MUTX222	1
│ │ │ │ └─ & ─┬── MUTX226	1
│ │ │ │ │ └─ & ─┬── MUTX227	1
│ │ └─ or ─┬── MUTX271	1
│ │ │ └─ & ─┬── MUTX272	1
│ │ │ │ └─ & ─┬── MUTX276	1
│ │ │ │ │ └─ & ─┬── MUTX277	1
& ─ Take 4 semesters of the following coursework: ⁽¹⁾	
│ └─ & ─┬── MUNXXXX	4
& ─ Take 2 semesters of the following coursework: ⁽¹⁾	
│ └─ & ─┬── MVxXX1X ⁽²⁾	2-4
& ─ Take 2 semesters of the following coursework: ⁽¹⁾	
│ └─ & ─┬── MVxXX2X ⁽²⁾	2-4
& ─ Repeat these courses up to 4 semesters in order to gain piano proficiency: ⁽³⁾	
│ └─ & ─┬── MVKX111	
│ │ └─ & ─┬── MVKX112	
│ │ │ └─ & ─┬── MVKX121	
│ │ │ │ └─ & ─┬── MVKX122	

(Please see notes in the following page)

FOR ALL MAJORS: Students are strongly encouraged to select required lower division electives that will enhance their general education coursework and that will support their intended baccalaureate degree program. Students should consult with an academic advisor in their major degree area.

- (1) Music program national accreditation requires minimum semesters of exposure in specified coursework.
- (2) DEFINITIONS:
MVxXX1X and MVxXX2X are defined as courses under one of the specified prefixes that constantly maintain the digit 1 or 2 (depending upon which course) while allowing 0-9 to replace each "X." The prefix varies depending upon the student's focus (i.e., Brass, Strings, Woodwinds, etc.) Prefix areas to choose from are MVB, MVH, MVJ, MVK, MVO, MVP, MVS, MVV, and MVW. Two examples of possible courses are MVB1011 or MVP1311. Examples for MVxXX2X are MVW2223 and MVK2222.
- (3) Or Secondary Piano Proficiency by examination.

Program:	<u>Music Teacher Education</u>	CIP:	<u>13.1312</u>
		Track:	<u>1</u>
Offered At:	<u>FAMU, FAU, FGCU, FSU*, UCF*, UF*, UNF*, USF, UWF</u>	Program Length:	<u>134 Cr. Hrs.</u>

Please note that FIU offers Music Teacher Education as a track within 50.0901. The common prerequisites for the 50.0901 track are different.

Revised 2/24/2010

Added university 10/24/2012

REVISED 10/28/15

Revised 4/27/2016

Footnote deleted and revised 9/13/2016

Technical revision 7/3/2018

Revised 11/26/2018

LOWER LEVEL COURSES

	Cr. Hrs.
EDFX005	3
or- MUEX040	3
&- MUTX111	3
or- MUTX121	3
&- MUTX112	3
or- MUTX122	3
&- MUTX116	3
or- MUTX126	3
&- MUTX117	3
or- MUTX127	3
&- Select from the following options for 4 credits:	
or- MUTX241	1
&- MUTX242	1
&- MUTX246	1
&- MUTX247	1
or- MUTX221	1
&- MUTX222	1
&- MUTX226	1
&- MUTX227	1
or- MUTX271	1
&- MUTX272	1
&- MUTX276	1
&- MUTX277	1
&- Take 4 semesters of the following coursework: ⁽¹⁾	
&- MUNXXXX	4
&- Take 2 semesters of the following coursework: ⁽¹⁾	
&- MVxXX1X ⁽²⁾	2-4
&- Take 2 semesters of the following coursework: ⁽¹⁾	
&- MVxXX2X ⁽²⁾	2-4
&- Repeat these courses up to 4 semesters in order to gain piano proficiency: ⁽³⁾	
&- MVKX111	
&- MVKX112	
&- MVKX121	
&- MVKX122	

FOR ALL MAJORS: Students are strongly encouraged to select required lower division electives that will enhance their general education coursework and that will support their intended baccalaureate degree program. Students should consult with an academic advisor in their major degree area.

(1) Music program national accreditation requires minimum semesters of exposure in specified coursework.

(2) DEFINITIONS:
MVxXX1X and MVxXX2X are defined as courses under one of the specified prefixes that constantly maintain the digit 1 or 2 (depending upon which course) while allowing 0-9 to replace each "X." The prefix varies depending upon the student's focus (i.e. Brass, Strings, Woodwinds, etc.) Prefix areas to choose from are MVB, MVH, MVJ, MVK, MVO, MVP, MVS, MVV, and MVW. Two examples of possible courses are MVB1011 or MVP1311. Examples for MVxXX2X are MVW2223 and MVK2222.

(3) Or Secondary Piano Proficiency by examination.

* Limited Access.

Program: Music Therapy **CIP:** 51.2305
Track: 1/1
Offered At: FGCU*, FSU* **Program Length:** 132 Cr. Hrs.

2/24/2010
 Deleted university 10/24/2012
 REVISED 10/28/15
 Revised 11/26/2018

LOWER LEVEL COURSES

	Cr. Hrs.
— MUTX111	3
or— MUTX121	3
&— MUTX112	3
or— MUTX122	3
&— MUTX116	3
or— MUTX126	3
&— MUTX117	3
or— MUTX127	3
&— Select from the following options for 4 credits:	
or— MUTX241	1
&— MUTX242	1
&— MUTX246	1
&— MUTX247	1
or— MUTX221	1
&— MUTX222	1
&— MUTX226	1
&— MUTX227	1
or— MUTX271	1
&— MUTX272	1
&— MUTX276	1
&— MUTX277	1
&— Take 4 semesters of the following coursework: ⁽¹⁾	
&— MUNXXXX	4
&— Take 2 semesters of the following coursework: ⁽¹⁾	
&— MVxXX1X ⁽²⁾	2-4
&— Take 2 semesters of the following coursework: ⁽¹⁾	
&— MVxXX2X ⁽²⁾	2-4
&— Repeat these courses up to 4 semesters in order to gain piano proficiency: ⁽³⁾	
&— MVKX111	
&— MVKX112	
&— MVKX121	
&— MVKX122	

FOR ALL MAJORS: Students are strongly encouraged to select required lower division electives that will enhance their general education coursework and that will support their intended baccalaureate degree program. Students should consult with an academic advisor in their major degree area.

-
- (1) Music program national accreditation requires minimum semesters of exposure in specified coursework.
- (2) DEFINITIONS:
 MVxXX1X and MVxXX2X are defined as courses under one of the specified prefixes that constantly maintain the digit 1 or 2 (depending upon which course) while allowing 0-9 to replace each "X." The prefix varies depending upon the student's focus (i.e., Brass, Strings, Woodwinds, etc.) Prefix areas to choose from are MVB, MVH, MVJ, MVK, MVO, MVP, MVS, MVV, and MVW. Two examples of possible courses are MVB1011 or MVP1311. Examples for MVxXX2X are MVW2223 and MVK2222.
- (3) Or Secondary Piano Proficiency by examination.
- * Limited Access.

Program: Music, General
Offered At: FAMU, FAU, FSU*, UF*
FIU*

CIP: 50.0901
Track: 1/2
Program Length: 120 Cr. Hrs.
128

2/24/2010
 Deleted university 10/24/2012
 REVISED 10/28/15
 Revised 11/26/2018

LOWER LEVEL COURSES

	Cr. Hrs.
├── MUTX111	3
│ └─ or ─ MUTX121	3
&├── MUTX112	3
│ └─ or ─ MUTX122	3
&├── MUTX116	3
│ └─ or ─ MUTX126	3
&├── MUTX117	3
│ └─ or ─ MUTX127	3
&├── Select from the following options for 4 credits:	
│ ├─ or ─┬── MUTX241	1
│ │ ├─ & ─┬── MUTX242	1
│ │ │ ├─ & ─┬── MUTX246	1
│ │ │ │ ├─ & ─┬── MUTX247	1
│ │ └─ or ─┬── MUTX221	1
│ │ │ ├─ & ─┬── MUTX222	1
│ │ │ │ ├─ & ─┬── MUTX226	1
│ │ │ │ │ ├─ & ─┬── MUTX227	1
│ └─ or ─┬── MUTX271	1
│ │ ├─ & ─┬── MUTX272	1
│ │ │ ├─ & ─┬── MUTX276	1
│ │ │ │ ├─ & ─┬── MUTX277	1
&├── Take 4 semesters of the following coursework: ⁽¹⁾	
│ ├─ & ─┬── MUNXXXX	4
&├── Take 2 semesters of the following coursework: ⁽¹⁾	
│ ├─ & ─┬── MVxXX1X ⁽²⁾	2-4
&├── Take 2 semesters of the following coursework: ⁽¹⁾	
│ ├─ & ─┬── MVxXX2X ⁽²⁾	2-4
&├── Repeat these courses up to 4 semesters in order to gain piano proficiency: ⁽³⁾	
│ ├─ & ─┬── MVKX111	
│ │ ├─ & ─┬── MVKX112	
│ │ │ ├─ & ─┬── MVKX121	
│ │ │ │ ├─ & ─┬── MVKX122	

(Please see notes in the following page)

FOR ALL MAJORS: Students are strongly encouraged to select required lower division electives that will enhance their general education coursework and that will support their intended baccalaureate degree program. Students should consult with an academic advisor in their major degree area.

- (1) Music program national accreditation requires minimum semesters of exposure in specified coursework.
 - (2) DEFINITIONS:
MVxXX1X and MVxXX2X are defined as courses under one of the specified prefixes that constantly maintain the digit 1 or 2 (depending upon which course) while allowing 0-9 to replace each "X." The prefix varies depending upon the student's focus (i.e., Brass, Strings, Woodwinds, etc.) Prefix areas to choose from are MVB, MVH, MVJ, MVK, MVO, MVP, MVS, MVV, and MVW. Two examples of possible courses are MVB1011 or MVP1311. Examples for MVxXX2X are MVW2223 and MVK2222.
 - (3) Or Secondary Piano Proficiency by examination.
- * Limited Access.

Program: Music Educatio - FIU Teach
FIU Teach
Offered At: FIU*

CIP: 50.0901
Track: 2
Program Length: 128 Cr. Hrs.

2/24/2010
 Deleted university 10/24/2012
 REVISED 10/28/15
 Revised 11/26/2018

LOWER LEVEL COURSES

	Cr. Hrs.
├── MUTX111	3
│ └─ or─ MUTX121	3
&─├── MUTX112	3
│ └─ or─ MUTX122	3
&─├── MUTX116	3
│ └─ or─ MUTX126	3
&─├── MUTX117	3
│ └─ or─ MUTX127	3
&─ Select from the following options for 4 credits:	
│ ├─ or─├── MUTX241	1
│ │ └─ &─├── MUTX242	1
│ │ │ └─ &─├── MUTX246	1
│ │ │ │ └─ &─├── MUTX247	1
│ │ └─ or─├── MUTX221	1
│ │ │ └─ &─├── MUTX222	1
│ │ │ │ └─ &─├── MUTX226	1
│ │ │ │ │ └─ &─├── MUTX227	1
│ └─ or─├── MUTX271	1
│ │ └─ &─├── MUTX272	1
│ │ │ └─ &─├── MUTX276	1
│ │ │ │ └─ &─├── MUTX277	1
&─ Take 4 semesters of the following coursework: ⁽¹⁾	
│ └─ &─├── MUNXXXX	4
&─ Take 2 semesters of the following coursework: ⁽¹⁾	
│ └─ &─├── MVxXX1X ⁽²⁾	2-4
&─ Take 2 semesters of the following coursework: ⁽¹⁾	
│ └─ &─├── MVxXX2X ⁽²⁾	2-4
&─ Repeat these courses up to 4 semesters in order to gain piano proficiency: ⁽³⁾	
│ └─ &─├── MVKX111	
│ │ └─ &─├── MVKX112	
│ │ │ └─ &─├── MVKX121	
│ │ │ │ └─ &─├── MVKX122	

(Please see notes in the following page)

FOR ALL MAJORS: Students are strongly encouraged to select required lower division electives that will enhance their general education coursework and that will support their intended baccalaureate degree program. Students should consult with an academic advisor in their major degree area.

- (1) Music program national accreditation requires minimum semesters of exposure in specified coursework.
 - (2) DEFINITIONS:
MVxXX1X and MVxXX2X are defined as courses under one of the specified prefixes that constantly maintain the digit 1 or 2 (depending upon which course) while allowing 0-9 to replace each "X." The prefix varies depending upon the student's focus (i.e., Brass, Strings, Woodwinds, etc.) Prefix areas to choose from are MVB, MVH, MVJ, MVK, MVO, MVP, MVS, MVV, and MVW. Two examples of possible courses are MVB1011 or MVP1311. Examples for MVxXX2X are MVW2223 and MVK2222.
PLEASE NOTE: Duplicate courses such as MVK X111r may be repeated up to 4 times.
 - (3) Or Secondary Piano Proficiency by examination.
- * Limited Access.

Program: Neuroscience **CIP:** 26.2501
Track: 1
Offered At: FSU* **Program Length:** 120 Cr. Hrs.

NEW program 5/28/2018
 Technical 12/11/2018

LOWER LEVEL COURSES

	Cr. Hrs.	
Select from the following: or- BSCX010C	4	General Biology I and lab
or- Take both: &- BSCX010/X010L	4	
&- Select from the following: or- BSCX011C	4	General Biology II and Lab
or- Take both courses: &- BSCX011/X011L	4	
&- Select from the following: or- CHMX045C	4	General Chemistry I and Lab
or- Take both courses: &- CHMX045/X045L	4	
&- Select from the following: or- CHMX046C	4	General Chemistry 2 & lab
or- Take both courses: &- CHMX046/X046L	4	
&- Select from the following: or- CHMX210C	4	Organic Chemistry 1 and lab
or- Take both courses: &- CHMX210/X210L	4	
&- Select from the following: or- CHMX211C	4	Organic Chemistry 2 and lab
or- Take both courses: &- CHMX211/X211L	4	
&- Select either course: or- MACX311 or- MACX233	4	Calculus I
&- STAXXX	3	Introductory or Entry-Level Course in Statistics
&- Select from the following: or- PHYX053C	4	General Physics I and Lab
or- Take both courses: &- PHYX053/X053L	4	
&- Select from the following: or- PHYX054C	4	General Physics 2 & lab
or- Take both courses: &- PHYX054/X054L	4	

(Please see notes in the following page)

FOR ALL MAJORS: Students are strongly encouraged to select required lower division electives that will enhance their general education coursework and that will support their intended baccalaureate degree program. Students should consult with an academic advisor in their major degree area.

* Limited Access.

Program: Nonprofit Management **CIP:** 52.0206
Track: 1
Offered At: UCF **Program Length:** 120 Cr. Hrs.
New Fall 2017

LOWER LEVEL COURSES

	Cr. Hrs.	
— ECOX013	3	Macroeconomics

FOR ALL MAJORS: Students are strongly encouraged to select required lower division electives that will enhance their general education coursework and that will support their intended baccalaureate degree program. Students should consult with an academic advisor in their major degree area.

Program: Nuclear Engineering _____

CIP: 14.2301 _____

Track: 1 _____

Offered At: UF _____

Program Length: 127 Cr. Hrs. _____

REVISED 2/25/09

Adjusted hours 10/24/2012

Technical course change 10/23/2013

LOWER LEVEL COURSES

	Cr. Hrs.
MACX311	4
or- MACX281	4
& MACX312	4
or- MACX282	4
& MACX313	4
or- MACX283	4
& MAPX302	3
or- MAPX305	3
& CHMX045/X045L	4
or- CHMX045C	4
or- CHSX440/X440L	
& PHYX048/X048L	4
or- PHYX048C	4
& PHYX049/X049L	4
or- PHYX049C	4
&- BSCX010	3

FOR ALL MAJORS: Students are strongly encouraged to select required lower division electives that will enhance their general education coursework and that will support their intended baccalaureate degree program. Students should consult with an academic advisor in their major degree area.

Program:	<u>Nursing</u>	CIP:	<u>51.3801</u>
		Track:	<u>1/2</u>
Offered At:	<u>FAMU*, FAU*</u>	Program Length:	<u>120 Cr. Hrs.</u>
	<u>FGCU*, FIU*, FSU*, UCF*, UF*, UNF*, USF*, UWF*</u>		<u>124</u>

REVISED 5/27/09
 Revised 2/24/2010
 CIP change 5/26/2010 from 51.1601 to 51.3801
 Technical revision 7/18/2018
 Technical 12/11/2018, 3/1/19

LOWER LEVEL COURSES

	Cr. Hrs.
BSCX085C	4
or— BSCX085/X085L	4
or— BSCX093C	4
or— BSCX093/X093L	4
& BSCX086C	4
or— BSCX086/X086L	4
or— BSCX094C	4
or— BSCX094/X094L	4
& CHMXXXX	3
or— BCHXXXX	3
or— BSCXXXX	3
or— PCBXXXX	3
or— PHYXXXX	3
& DEPX004	3
or— DEPX054	3
or— DEPX000	3
& HUNX201	3
& MCBX010C	4
or— MCBX010/X010L	4
or— MCBX013C	4
or— MCBX000/X000L	4
or— MCBX004/X004L	4
& PSYXXXX	3
or— SOPXXXX	3
or— SYGXXXX	3
& STAX014	3
or— STAX023	3
or— STAX122	3

FOR ALL MAJORS: Students are strongly encouraged to select required lower division electives that will enhance their general education coursework and that will support their intended baccalaureate degree program. Students should consult with an academic advisor in their major degree area.

 NOTE: Epidemiology (3 credits) is recommended but not required.

* Limited Access.

Program:	<u>Nursing</u>	CIP:	<u>51.3801</u>
	<u>A.S. to B.S.</u>	Track:	<u>2/2</u>
Offered At:	<u>BC, CC, CCF, DSC*, FAMU*, FAU*, FKCC, FSCJ, FSWSC, GCSC, NWFSC, PESC, PHSC, PSC, SCFMS, SFC, SFSC, SSCF, TCC, VC</u>	Program Length:	<u>120 Cr. Hrs.</u>
	<u>FGC, IRSC, PBSC, SPC</u>		<u>121</u>
	<u>SJRSC</u>		<u>123</u>
	<u>FGCU*, FIU*, FSU*, UWF</u>		<u>124</u>
	<u>MDC</u>		<u>125</u>

Changed CIP 5/26/2010 from 51.1601 to 51.3801
 REVISED 10/24/12, 10/23/13
 REVISED 4/4/14, 6/30/14
 REVISED 10/28/15
 REVISED 05/17/17
 REVISED 10/25/17
 Technical revision 7/5/2018
 Technical 12/11/2018, 3/1/19
 Technical 11/26/18
 Technical 2/27/19

LOWER LEVEL COURSES

	Cr. Hrs.
BSCX085C	4
or— BSCX085/X085L	4
or— BSCX093C	4
or— BSCX093/X093L	4
& BSCX086C	4
or— BSCX086/X086L	4
or— BSCX094C	4
or— BSCX094/X094L	4
& CHMXXXX (1, 2, 3)	3
or— BSCXXXX (1, 2)	3
or— BCHXXXX (1, 2)	3
or— PCBXXXX (1, 2)	3
or— PHYXXXX (1, 2)	3
& DEPX004 (1)	3
or— DEPX054 (1)	3
or— DEPX000 (1)	3
& HUNX201 (1, 2)	3
or— NURX180 (1, 2)	3
& MCBX010C	4
or— MCBX010/X010L	4
or— MCBX013C	4
or— MCBX000/X000L	4
or— MCBX000C	4
or— MCBX004/X004L	4
or— MCBX004C	4
& PSYXXXX (1)	3
or— SOPXXXX (1)	3
or— SYGXXXX (1)	3
& STAX014	3
or— STAX023	3
or— STAX122	3

FOR ALL MAJORS: Students are strongly encouraged to select required lower division electives that will enhance their general education coursework and that will support their intended baccalaureate degree program. Students should consult with an academic advisor in their major degree area.

-
- (1) Not required for SPC BSN program; Passing score on NCLEX exam demonstrates competency in the content area. NOTE: Graduation from an A.S. program and active RN licensure is required for admission.
 Notice to A.S. to B.S.N. Nursing Students: Some colleges and universities may require all general education courses, including the above common prerequisites, to be completed BEFORE application. Some may require all general education courses completed by the time a certain number of nursing courses are completed (before any 4000 level courses are attempted or before the final nursing course) or graduation. See the individual institution for details.
 Note: Student enrollment in the SJRSC program is planned to begin in fall 2013.
- (2) Not required for FSWSC BSN program; Passing score on NCLEX-RN exam demonstrates competency in the content area. NOTE: Graduation from an A.S. program and active RN licensure is required for admission.
- (3) Not required for FGC BSN program.
- * Limited Access.

Program: Nutritional Services

CIP: 51.3101

Track: 3/3

Offered At: UNF

Program Length: 120 Cr. Hrs.

NEW 4/27/2016

Corrected alternative course May 2017.

Technical revision 7/5/2018

Technical 12/11/2018; 12/28/2018

Technical 6/18/2019

LOWER LEVEL COURSES

	Cr. Hrs.
BSCX085/X085L	4
&- BSCX086/X086L	4
or- BSCX085C	
&- BSCX086C	
or- PETX322/X322L	4
or- HSCX549	
or- PCBX702	
&- CHMX045/X045L	3
or- CHMX032	
or- CHMX045C	4
&- MCBX010C	4
or- MCBX004/X004L	4
or- MCBX020C	4
or- MCBX013C	4
or- MCBX020/X020L	4
&- HUNX201	3
&- BSCX010C	4
&- POSX041	3
&- Take either course:	
or- STAX014	3
or- STAX023	3
&- Select from the following:	
or- MACX105	
or- MACX147	
&- FSSX202/X202L	

FOR ALL MAJORS: Students are strongly encouraged to select required lower division electives that will enhance their general education coursework and that will support their intended baccalaureate degree program. Students should consult with an academic advisor in their major degree area.

Program: Oceanography

CIP: 40.0607

Track: 1

Offered At: UWF

Program Length: 120 Cr. Hrs.

REVISED 5/27/09
Technical revision 7/5/2018
Technical 12/11/2018
Technical change 3/1/19
Technical 6/18/2019
Technical 9/24/2019

LOWER LEVEL COURSES

	Cr. Hrs.	
_____ BSCX005/X005L	4	General Biology for Non-Majors and Lab
or- BSCX005C	4	General Biology for Non-Majors and Lab
& _____ BSCX050	3	
or- PCBX033	3	
& _____ BSCX311/X311L	4	Introduction to Oceanography & Marine Biology/Lab
or- Take all of the following:		
&- OCEX001/X001L		
or- OCEX001C	4	
or- BSCX311C	4	
& _____ CHMX045/X045L	4	General Chemistry I and Lab
or- CHMX045C	4	General Chemistry I and Lab
& _____ CHMX046/X046L	4	General Chemistry II and Lab
or- CHMX046C	4	General Chemistry II and Lab
& _____ Take both courses:		
&- GLYX010/X010L		
or- GLYX010C	4	
or- _____ GEOX200		
or- GEOX200L		
or- GEOX200C	4	
& _____ MACX311	4	Analytical Geometry and Calculus I
or- _____ MACX311/X311L	4	Analytical Geometry and Calculus I
or- MACX311C	4	
& _____ PHYX053/X053L	4	General Physics I and Lab
or- PHYX053C	4	General Physics I and Lab
or- Take both courses:		
&- PHYX048/X048L		
or- PHYX048C	4	
& _____ STAX023	3	Elements of Statistics

(Please see notes in the following page)

(Continues from previous page)

FOR ALL MAJORS: Students are strongly encouraged to select required lower division electives that will enhance their general education coursework and that will support their intended baccalaureate degree program. Students should consult with an academic advisor in their major degree area.

Program: Orthotics & Prosthetics (BAS) **CIP:** 51.2307
Track: 1
Offered At: SPC **Program Length:** 120 Cr. Hrs.

REVISED 5/27/09
 REVISED 10/28/2009
 REVISED 3/2/2011
 REVISED 5/22/13
 REVISED 12/9/14

LOWER LEVEL COURSES

		Cr. Hrs.
	BSCX085/X085L	4
&	BSCX086/X086L	4
&	CHMX045/X045L	4
&	PHYX053	3
&	PHYX048L	1
&	PSYX012 ⁽¹⁾	3
&	MACX311	3-5
&	MACX312	3-5

FOR ALL MAJORS: Students are strongly encouraged to select required lower division electives that will enhance their general education coursework and that will support their intended baccalaureate degree program. Students should consult with an academic advisor in their major degree area.

 Admission to Bachelor of Applied Science (B.A.S.) degree programs usually requires an Associate in Science (A.S.) or Associate in Applied Science (A.A.S.) degree in a related area. If a student has earned an Associate in Arts (A.A.) degree, or an A.S. degree, an A.A.S. degree, or its equivalent in an unrelated area, the student may be admitted on a case-by-case basis with approval of the appropriate academic administrator. Some majors may have licensure or other types of requirements prior to admittance. Due to the variance in specialized B.A.S. degree programs and concentrations, students are strongly encouraged to consult with an academic advisor at the B.A.S degree-granting institution.

- (1) Or any transferable college-level psychology.
- (2) Or any transferable college-level statistics.

NOTE: Admission into this program requires an A.S. degree in a related area or an A.A. degree.

Program:	<u>Paralegal Studies (BAS)</u>	CIP:	<u>22.0302</u>
		Track:	<u>2/2</u>
Offered At:	<u>SPC</u>	Program Length:	<u>120 Cr. Hrs.</u>

UCF and UWF offer a program in Legal Assisting under the same CIP, track 1. FGCU offers an AS to BS Capstone Program in Legal Studies. The prerequisite is an AS in Paralegal Studies or Legal Assisting from a Florida community college. See AS to BS Articulation Manual and university catalog.

REVISED 5/28/08

Technical revisions 7/3/2018

LOWER LEVEL COURSES

There are no specified common prerequisites for this major. All Florida College System students are encouraged to complete the Associate degree. Students should consult with an academic advisor in their major degree area at the intended transfer institution.

Admission to Bachelor of Applied Science (B.A.S.) degree programs usually requires an Associate in Science (A.S.) or Associate in Applied Science (A.A.S.) degree in a related area. If a student has earned an Associate in Arts (A.A.) degree, or an A.S. degree, an A.A.S. degree, or its equivalent in an unrelated area, the student may be admitted on a case-by-case basis with approval of the appropriate academic administrator. Some majors may have licensure or other types of requirements prior to admittance. Due to the variance in specialized B.A.S. degree programs and concentrations, students are strongly encouraged to consult with an academic advisor at the B.A.S degree-granting institution.

Program:	<u>Parks & Recreation Management</u>	CIP:	<u>31.0301</u>
	<u>Instruction</u>	Track:	<u>1/6</u>
Offered At:	<u>FIU</u>	Program Length:	<u>120 Cr. Hrs.</u>

REVISED 2/25/09

Technical revision 7/5/2018

LOWER LEVEL COURSES

	Cr. Hrs.
├─ DEPX004	3
├─ &─ BSCX085	3
├─ &─ PSYXXXX	3

FOR ALL MAJORS: Students are strongly encouraged to select required lower division electives that will enhance their general education coursework and that will support their intended baccalaureate degree program. Students should consult with an academic advisor in their major degree area.

Program:	<u>Parks & Recreation Management</u>	CIP:	<u>31.0301</u>
	<u>Recreation, Tourism & Events</u>	Track:	<u>2/6</u>
Offered At:	<u>FSU*</u>	Program Length:	<u>120 Cr. Hrs.</u>

REVISED 2/25/09

The FSU program is located on its Panama City, FL campus.

REVISED 10/28/2009

Name change 10/24/2012

LOWER LEVEL COURSES

		Cr. Hrs.
	CGSX060	3
or-	CGSX100	3

FOR ALL MAJORS: Students are strongly encouraged to select required lower division electives that will enhance their general education coursework and that will support their intended baccalaureate degree program. Students should consult with an academic advisor in their major degree area.

* Limited Access.

Program:	<u>Parks & Recreation Management</u>	CIP:	<u>31.0301</u>
	<u>Recreation and Tourism</u>	Track:	<u>3/6</u>
Offered At:	<u>UF</u>	Program Length:	<u>120 Cr. Hrs.</u>

NEW 2/25/09

Technical 12/11/2018

LOWER LEVEL COURSES

	Cr. Hrs.
— SYGX000	3
&—	
— DEPX004	3
or—	
DEPX053	3
or—	
EDFX110	3
&—	
— ECOX013	4
or—	
ECOX023	4
&— PSYX012	3
&— SPCX608	3

FOR ALL MAJORS: Students are strongly encouraged to select required lower division electives that will enhance their general education coursework and that will support their intended baccalaureate degree program. Students should consult with an academic advisor in their major degree area.

 Note: UF concentrations in Recreation and Events Management, Recreation Programming, and Tourism use these prerequisites. All three specializations require the courses above.

Program:	<u>Parks & Recreation Management</u>	CIP:	<u>31.0301</u>
	<u>Natural Resource Recreation Management</u>	Track:	<u>4/6</u>
Offered At:	<u>UF</u>	Program Length:	<u>120 Cr. Hrs.</u>

REVISED 2/25/09
 Technical revisions 7/10/2018
 Technical revision 7/18/2018
 Technical 3/1/19

LOWER LEVEL COURSES

	Cr. Hrs.
DEPX004	3
or- DEPX053	3
or- EDFX110	3
& ECOX013	3
or- ECOX023	3
& ENCX210	3
& BSCX010/X010L	4
or- BSCX010C	
or- BSCX007C	4
& SYGX000	3
& SPCX608	3

FOR ALL MAJORS: Students are strongly encouraged to select required lower division electives that will enhance their general education coursework and that will support their intended baccalaureate degree program. Students should consult with an academic advisor in their major degree area.

Program: Parks & Recreation Management **CIP:** 31.0301
Hospitality, Rec, & Resort Mgt **Track:** 5/6
Offered At: UWF **Program Length:** 120 Cr. Hrs.

NEW 2/25/09

LOWER LEVEL COURSES

	Cr. Hrs.
— HFTX000	3

FOR ALL MAJORS: Students are strongly encouraged to select required lower division electives that will enhance their general education coursework and that will support their intended baccalaureate degree program. Students should consult with an academic advisor in their major degree area.

Program: Parks & Recreation Management **CIP:** 31.0301
Track: 6/6
Offered At: FIU **Program Length:** 120 Cr. Hrs.

NEW 2/25/09

LOWER LEVEL COURSES

	Cr. Hrs.
— DEPX004	3

FOR ALL MAJORS: Students are strongly encouraged to select required lower division electives that will enhance their general education coursework and that will support their intended baccalaureate degree program. Students should consult with an academic advisor in their major degree area.

Note: FIU has both a Recreation/Sport Management Track and a Park Management Track.

Program:	<u>Pharmaceutical Science</u>	CIP:	<u>51.2099</u>
	<u>Pharmaceutical Science</u>	Track:	<u>1</u>
Offered At:	<u>FAMU</u>	Program Length:	<u>120 Cr. Hrs.</u>

New 10/23/2013
 Technical revisions 7/5/2018
 Technical change 12/28/2018

LOWER LEVEL COURSES

	Cr. Hrs.	
Take one of these courses with lab:		
or- BSCX010C		
or- BOTX010C		
or- Take both courses:		
&- BSCX010/X010L	4	
or- Take both courses:		
&- BOTX010/X010L	4	
&- Take one of these courses with lab:		
or- BSCX011C		
or- Take both courses:		
&- BSCX011/X011L	4	
or- Take both courses:		
&- ZOOX303/X303L	4	
&- Take one of these courses with lab:		
or- CHMX045C		
or- Take both courses:		
&- CHMX045/X045L	4	
&- Take one of these courses with lab:		
or- CHMX046C		
or- Take both courses:		
&- CHMX046/X046L	4	
&- Take one of these courses with lab:		
or- CHMX210C		
or- Take both courses:		
&- CHMX210/X210L	4	
&- Take one of these courses with lab:		
or- CHMX211C		
or- Take both courses:		
&- CHMX211/X211L	4	
&- MACX147	4	Precalculus Algebra/Trigonometry
&- MACX311	4	Calculus I
&- Take one of these courses with lab:		
or- PHYX048C		
or- Take both course:		
&- PHYX048	4	
&- PHYX048	1	
&- Take one of these courses with lab:		
or- PHYX049C		
or- Take both courses:		
&- PHYX049/X049L	5	

FOR ALL MAJORS: Students are strongly encouraged to select required lower division electives that will enhance their general education coursework and that will support their intended baccalaureate degree program. Students should consult with an academic advisor in their major degree area.

Program: Pharmacy (Pharm D)
Offered At: FAMU*
UF*

CIP: 51.2001
Track: 1
Program Length: 208 Cr. Hrs.
215

NOTE: This is a 5 year professional degree.
 REVISED 10/28/2009
 FAMU program length correction 2010.
 Corrected CSG060 typo 2011.
 Technical revision 7/17/2018
 Technical 12/11/2018
 Technical 6/18/2019
 Technical 9/23/2019

LOWER LEVEL COURSES

	Cr. Hrs.
or— BSCX010/X010L	4
or— BOTX010/X010L	4
&— BSCX011/X011L	4
or— ZOOX303/X303L	4
&— BSCX085/X085L	4
&— BSCX086/X086L	4
or— BSCX093/X093L	4
&— BSCX094/X094L	4
or— APKX100C	3
&— APKX105C	
or— ZOOX713	3
&— ZOOX731L	1
&— APKX100C	
or— Take all of the following:	
&— ZOOX713	
&— ZOO713L	
&— PCBX723C	
&— CHMX045/X045L	4
&— CHMX046/X046L	4
&— CHMX210/X210L	4
&— CHMX211/X211L	4
&— MACX233	
or— MACX147	
or— MACX114	
&— MACX140	
&— MACX311	4
&— PHYX053/X053L	
&— PHYX054/X054L	
or— PHYX048/X048L	
&— PHYX049/X049L	
&— CGSX060 (2)	3

(Please see notes in the following page)

(Continues from previous page)

FOR ALL MAJORS: Students are strongly encouraged to select required lower division electives that will enhance their general education coursework and that will support their intended baccalaureate degree program. Students should consult with an academic advisor in their major degree area.

- (1) FAMU does not require SPC as a prerequisite.
UF students must apply through the PharmCAS (www.pharmcas.org) centralized application service by Feb. 1 of the year they wish to enter the UF College of Pharmacy. Supplemental application materials are located on the UF College of Pharmacy Web site at www.cop.ufl.edu/studaff. An application to the University of Florida Admissions Office is also required at www.ufl.edu.
FAMU students must apply by Feb. 1 of the year they wish to enter the program.
- (2) UF does not require CGSX060.
* Limited Access.

Program:	<u>Philosophy</u>	CIP:	<u>38.0101</u>
		Track:	<u>1</u>
Offered At:	<u>FAU, FGCU, FIU, FSU, UCF, UF, UNF, USF, UWF</u>	Program Length:	<u>120 Cr. Hrs.</u>

REVISED 5/27/09

Technical revision 7/5/2018

LOWER LEVEL COURSES

There are no specified common prerequisites for this major. All Florida College System students are encouraged to complete the Associate degree. Students should consult with an academic advisor in their major degree area at the intended transfer institution.

Students are encouraged to take several philosophy courses with the PHH, PHI, PHM, or PHP prefix.

Program:	<u>Philosophy and Religion</u>	CIP:	<u>38.9999</u>
		Track:	<u>1</u>
Offered At:	<u>FAMU</u>	Program Length:	<u>120 Cr. Hrs.</u>

REVISED 5/27/09

Technical revision 7/5/2018

LOWER LEVEL COURSES

There are no specified common prerequisites for this major. All Florida College System students are encouraged to complete the Associate degree. Students should consult with an academic advisor in their major degree area at the intended transfer institution.

Students are encouraged to take several philosophy and religion courses with the PHH, PHI, PHM, PHP, and REL prefix.

Program: Photography **CIP:** 50.0605
Track: 1
Offered At: UCF **Program Length:** 120 Cr. Hrs.

NEW 5/27/09
 Revised 2/24/2010
 Technical 6/18/2019

LOWER LEVEL COURSES

	Cr. Hrs.
— ARHX051	3
&— PGYX403C	3
&— Select from the following:	
or— PGYX610C	3
or— PGYX600C	3

FOR ALL MAJORS: Students are strongly encouraged to select required lower division electives that will enhance their general education coursework and that will support their intended baccalaureate degree program. Students should consult with an academic advisor in their major degree area.

Program: Photonics Science and Engineering **CIP:** 14.1003
Track: 1
Offered At: UCF **Program Length:** 128 Cr. Hrs.

NEW Program added 5/22/2013.
 Technical course change 10/23/2013
 Technical revision 7/6/2018

LOWER LEVEL COURSES

	Cr. Hrs.	
Take one of the following courses:		
or- MACX311	4	Calculus I
or- MACX281		
&- Take one of the following:		
or- MACX312	4	Calculus w/ Analytic Geometry II
or- MACX282		
&- Take one of the following:		
or- MACX313	4	Calculus with Analytic Geometry III
or- MACX283		
&- Take one of the following:		
or- MAPX302	3	Differential Equations I
or- MAPX305		
&- Take one of the following:		
or- CHMX045C		
or- Take both courses:		
&- CHMX045/X045L	4	
or- Take both courses: ⁽¹⁾		
&- CHSX440/X440L	5	
&- Take one of the following:		
or- PHYX048C		
or- Take both courses:		
&- PHYX048/X048L	5	
&- Take one of the following:		
or- PHYX049C		
or- Take both courses:		
&- PHYX049/X049L	5	
or- Take both courses:		
&- PHYX044		
&- PHYX049L	1	

(1) or CHSX440 if 4 credit hours with included laboratory.

Note: Minimum required grades in the prerequisite courses are established by each university. Students are advised to consult the transfer institution.

Program:	<u>Physical Education Teacher Education</u>	CIP:	<u>13.1314</u>
		Track:	<u>1/2</u>
Offered At:	<u>FIU, UNF, USF*</u>	Program Length:	<u>120 Cr. Hrs.</u>

Revised Oct 2010
 Corrected listing 5/22/2013
 Deleted institution 6/30/2014
 REVISED 10/28/15
 REVISED 4/27/2016 - UNF program is inactive at this time.
 Footnote deleted and revised 9/13/2016
 Revised Oct. 20107.
 Technical revision 7/3/2018
 Technical revision 7/18/2018
 Technical revision 6/13/2019

LOWER LEVEL COURSES

	Cr. Hrs.	
— EDFX005	3	Education: Foundations and Policy Studies
&— BSCX085	4	
&— BSCX086	4	
or— PETX622	3	
&— Skill Development Courses in Physical Activities	4-5	
&— Conditioning, Fitness & Wellness Courses in Physical Education Activities	3	

FOR ALL MAJORS: Students are strongly encouraged to select required lower division electives that will enhance their general education coursework and that will support their intended baccalaureate degree program. Students should consult with an academic advisor in their major degree area.

FOR EDUCATION MAJORS: General education courses will be determined by the community college or university where the student currently is earning the Associate in Arts or baccalaureate degree, and will be published in the institution's existing catalog and delineated in the Statewide Course Numbering System.

 * Limited Access.

Program: Physics

CIP: 40.0801

Track: 1/3

Offered At: FAMU, FAU, FIU, FSU, UCF, UF, UNF, USF, UWF

Program Length: 120 Cr. Hrs.

REVISED 5/27/09

Revised 2/24/2010

LOWER LEVEL COURSES

	Cr. Hrs.
CHMX045C	4
or	
CHMX040	3
&	
CHMX041	3
or	
CHMX045/X045L	4
&	
CHMX046C	4
or	
CHMX046/X046L	4
&	
MACX311	4
or	
MACX281	4
&	
MACX312	4
or	
MACX282	4
&	
MACX313	4
or	
MACX283	4
&	
PHYX048/X048L	4
&	
PHYX049/X049L	4
or	
PHYX048C	4
&	
PHYX049C	4

FOR ALL MAJORS: Students are strongly encouraged to select required lower division electives that will enhance their general education coursework and that will support their intended baccalaureate degree program. Students should consult with an academic advisor in their major degree area.

Program: Physics
Physics Teacher Education
Offered At: FIU

CIP: 40.0801
Track: 2/3
Program Length: 120 Cr. Hrs.

New 2/24/2010

LOWER LEVEL COURSES

	Cr. Hrs.
CHMX045C	4
or— CHMX040	3
&— CHMX041	3
or— CHMX045/X045L	4
&— CHMX046C	4
or— CHMX046/X046L	4
&— MACX311	4
or— MACX281	4
&— MACX312	4
or— MACX282	4
&— MACX313	4
or— MACX283	4
&— PHYX048/X048L	4
&— PHYX049/X049L	4
or— PHYX048C	4
&— PHYX049C	4

FOR ALL MAJORS: Students are strongly encouraged to select required lower division electives that will enhance their general education coursework and that will support their intended baccalaureate degree program. Students should consult with an academic advisor in their major degree area.

Program:	<u>Physics</u>	CIP:	<u>40.0801</u>
	<u>UWF Teach</u>	Track:	<u>3/3</u>
Offered At:	<u>UWF</u>	Program Length:	<u>120 Cr. Hrs.</u>

New April 2016
 Technical 12/11/2018

LOWER LEVEL COURSES

	Cr. Hrs.
CHMX045C	4
or	
CHMX040	3
&	
CHMX041	3
or	
CHMX045/X045L	4
&	
CHMX046C	4
or	
CHMX046/X046L	4
&	
MACX311	4
or	
MACX281	4
&	
MACX312	4
or	
MACX282	4
&	
MACX313	4
or	
MACX283	4
&	
PHYX048/X048L	4
&	
PHYX049/X049L	4
or	
PHYX048C	4
&	
PHYX049C	4
&	
EDGX041	3

FOR ALL MAJORS: Students are strongly encouraged to select required lower division electives that will enhance their general education coursework and that will support their intended baccalaureate degree program. Students should consult with an academic advisor in their major degree area.

Program: Plant Sciences

CIP: 01.1101

Track: 1

Offered At: UF

Program Length: 120 Cr. Hrs.

REVISED 2/25/09
Technical 12/11/2018

LOWER LEVEL COURSES

	Cr. Hrs.
— BOTX010/X010L	4
or— BOTX010C	4
or— BSCX010/X010L	4
or— BSCX010C	4
&— BOTX011/X011L	4
or— BOTX011C	4
or— BSCX011/X011L	4
or— BSCX011C	4
&— CHMX045/X045L	4
or— CHMX045C	4
or— CHMX040	
&— CHMX041	
&— CHMX045L	
&— CHMX046/X046L	4
or— CHMX046C	4
&— ECOX023	4
or— ECOX013	4
&— ENCX213	3
or— ENCX210	3
&— MACX147	4
or— MACX140	
&— MACX114	
or— MACX105	
&— MACX114	
&— PHYX004L	1
or— PHYX053L	1
&— SPCX608	3

FOR ALL MAJORS: Students are strongly encouraged to select required lower division electives that will enhance their general education coursework and that will support their intended baccalaureate degree program. Students should consult with an academic advisor in their major degree area.

Program:	<u>Political Science & Government</u>	CIP:	<u>45.1001</u>
		Track:	<u>1</u>
Offered At:	<u>FAMU, FAU, FGCU, FIU, FSU, UCF, UF, UNF, USF, UWF</u>	Program Length:	<u>120 Cr. Hrs.</u>

REVISED 2/25/09

Campus added 10/24/2012

Technical revision 7/20/2018; 9/25/2019

Revised 4/8/2019 to reflect the same curriculum being offered at both the USF Tampa and USF St. Petersburg campus.

LOWER LEVEL COURSES

		Cr. Hrs.
	POSX041 (1)	3
or-	POXXXX	3
or-	INRXXXX	3
or-	CPOXXXX	3
&	POXXXX	3
or-	INRXXXX	3
or-	CPOXXXX	3

FOR ALL MAJORS: Students are strongly encouraged to select required lower division electives that will enhance their general education coursework and that will support their intended baccalaureate degree program. Students should consult with an academic advisor in their major degree area.

-
- (1) FSU, UNF, and UWF require POSX041.
 - (2) Not required as a common prerequisite for FAU or UCF.

Program:	<u>Portuguese</u>	CIP:	<u>16.0904</u>
		Track:	<u>1</u>
Offered At:	<u>FIU</u>	Program Length:	<u>120 Cr. Hrs.</u>

REVISED 5/27/09
 Technical 10/2/2019

LOWER LEVEL COURSES

—	PORX220 (1)	Cr. Hrs.
		4

FOR ALL MAJORS: Students are strongly encouraged to select required lower division electives that will enhance their general education coursework and that will support their intended baccalaureate degree program. Students should consult with an academic advisor in their major degree area.

- (1) Complete the course or equivalent or higher proficiency or demonstrate proficiency by testing.

NOTE: Native or heritage speakers or other persons with experience in a foreign language may qualify for a higher level language course, or exempt course(s) entirely. Please see the university to ensure proper advising and placement.

NOTE: Some institutions require a minimum grade in the language courses. Please check with the institution.

Program:	Pre-Elementary/Early Childhood Teacher Education	CIP:	13.1210
	Age 3 through Grade 3	Track:	1
Offered At:	CCF, FGCU, FSCJ, FSU*, MDC, NWFSC, PSC, SCFMS, SFC, SJRSC, UCF, UNF, UWF	Program Length:	120 Cr. Hrs.
	FGC, SPC, USF		123
	FIU		129

(FIU program is Early Childhood/ESOL, PSC program is BS Early Childhood Education)
(Tracks under a different CIP number at UF*)

REVISED 9/1/11

REVISED 4/18/12

Nomenclature changed 10/24/2012

University added 4/11/2013

REVISED 10/28/15

Deleted FAMU 4/27/2016

Footnote deleted and revised 9/13/2016

REVISED 10/25/17

USFSM offering removed 4/8/19

LOWER LEVEL COURSES

	Cr. Hrs.	
— EDFX005	3	Intro to Education

FOR ALL MAJORS: Students are strongly encouraged to select required lower division electives that will enhance their general education coursework and that will support their intended baccalaureate degree program. Students should consult with an academic advisor in their major degree area.

FOR EDUCATION MAJORS: General education courses will be determined by the college or university where the student currently is earning the Associate in Arts or baccalaureate degree, and will be published in the institution's existing catalog and delineated in the Statewide Course Numbering System.

* Limited Access.

Program:	<u>Professional & Technical Communication</u>	CIP:	<u>23.1303</u>
		Track:	<u>1</u>
Offered At:	<u>USF</u>	Program Length:	<u>120 Cr. Hrs.</u>

NEW degree program 5/22/2013
 Revised 4/9/2019 . USF Sarasota-Manatee offers the program.
 Index text changed 4/8/19, replacing USFSM with USF.
 Technical 9/25/2019

LOWER LEVEL COURSES

	Cr. Hrs.	
Take one of the following:		
or- ENCX101 (1)	3	English Composition I
or- ENCXXXX (1)		
&- Take one of the following:		
or- ENCX102 (2)	3	English Composition II
or- ENCXXXX (2)		
&- ENCX210	3	Technical Writing
&- SPCX608	3	Public Speaking

- (1) Any ENCXXXX equivalent to English Composition I.
 (2) Any ENCXXXX equivalent to English Composition II.

Program:	Professional Communication and Integrated Public Relations and Advertising	CIP:	09.0900
		Track:	1
Offered At:	FSU, USF	Program Length:	120 Cr. Hrs.

NOTE: THIS PROGRAM IS OFFERED AT THE FSU PANAMA CITY CAMPUS.
NEW program 5/22/2013.
Technical revision 7/3/2018
Title change and USF added 10/24/2018

LOWER LEVEL COURSES

There are no specified common prerequisites for this major. All Florida College System students are encouraged to complete the Associate degree. Students should consult with an academic advisor in their major degree area at the intended transfer institution.

Program:	<u>Project Management (BAS)</u>	CIP:	<u>52.0202</u>
		Track:	<u>1</u>
Offered At:	<u>NWFSC</u>	Program Length:	<u>120 Cr. Hrs.</u>

REVISED 5/28/08

Technical Change 4/16/2019

LOWER LEVEL COURSES

FOR ALL MAJORS: Students are strongly encouraged to select required lower division electives that will enhance their general education coursework and that will support their intended baccalaureate degree program. Students should consult with an academic advisor in their major degree area.

There are no specified common prerequisites for this major. All Florida College System students are encouraged to complete the Associate degree. Students should consult with an academic advisor in their major degree area at the intended transfer institution.

Program: Psychobiology/ Behavioral Neuroscience

CIP: 42.2706

Track: 1

Offered At: FAU, UNF

Program Length: 120 Cr. Hrs.

NEW 2/25/09

Changed CIP 5/26/2010 from 42.1101 to 42.2706.

Technical change 10/24/2018. UNF added.

Technical 6/18/2019

LOWER LEVEL COURSES

	Cr. Hrs.
_____ BSCX010/X010L	4
or- BSCX010C	4
&_____ BSCX011/X011L	4
or- BSCX011C	4
&_____ CHMX045/X045L	4
or- CHMX045C	4
&_____ CHMX046/X046L	4
or- CHMX046C	4
&_____ CHMX210/X210L	
&_____ CHMX211/X211L	
or- CHMX210C	4
&_____ CHMX211C	4
or- PHYX053/X053L	
&_____ PHYX054/X054L	
&_____ MACX233	3
or- MACX311	3
&- PSYX012	3

FOR ALL MAJORS: Students are strongly encouraged to select required lower division electives that will enhance their general education coursework and that will support their intended baccalaureate degree program. Students should consult with an academic advisor in their major degree area.

Program:	<u>Psychology, General</u>	CIP:	<u>42.0101</u>
		Track:	<u>1</u>
Offered At:	<u>FAMU, FAU, FGCU, FIU, FSU*, UCF, UF*, UNF, USF, UWF</u>	Program Length:	<u>120 Cr. Hrs.</u>

REVISED 5/27/09
 Revised 2/24/2010
 Revised 5/25/2011
 Added campus 10/24/2012
 University added 4/11/2013
 Technical revision 7/20/2018
 Revised 4/8/19 to reflect the same curriculum is offered on all campuses of USF.
 Technical 9/23/2019, 9/25/2019

LOWER LEVEL COURSES

	Cr. Hrs.
BSCX0XX	3
or- BSCX20X	3
or- ZOOX010	
&- PSYX012	3
&- Select from the following:	
or- PSYXXXX	3
or- CLPXXXX	3
or- DEPXXXX	3
or- EABXXXX	3
or- EXPXXXX	3
or- INPXXXX	3
or- PCOXXXX	3
or- PPEXXXX	3
or- PSBXXXX	3
or- SOPXXXX	3
&- STAXXXX	3

FOR ALL MAJORS: Students are strongly encouraged to select required lower division electives that will enhance their general education coursework and that will support their intended baccalaureate degree program. Students should consult with an academic advisor in their major degree area.

* Limited Access.

Program:	<u>Public Policy and Administration</u>	CIP:	<u>44.0401</u>
		Track:	<u>1</u>
Offered At:	<u>FAMU, FAU, FIU, IRSC, SPC, UCF</u>	Program Length:	<u>120 Cr. Hrs.</u>

REVISED 10/28/2009
 New institution added Oct. 2010
 REVISED 10/24/12
 UCF added 10/24/2018

LOWER LEVEL COURSES

	Cr. Hrs.
Take one of the following: ⁽¹⁾	
or- CGSX060	
or- CGSX100	3
&- Take one of the following: ⁽¹⁾	
or- ECOX013	
or- ECOX023	3
&- POSX041 ⁽¹⁾	3

FOR ALL MAJORS: Students are strongly encouraged to select required lower division electives that will enhance their general education coursework and that will support their intended baccalaureate degree program. Students should consult with an academic advisor in their major degree area.

(1) SPC requires completion of prerequisites with a grade 'C' or better.

NOTE: SPC requires official transcripts showing completion of an A.A. degree from a regionally accredited institution.

Program: Public Relations & Organizational Communication **CIP:** 09.0902
Track: 1
Offered At: FAMU*, UF* **Program Length:** 124 Cr. Hrs.

REVISED 5/27/09
 REVISED 10/28/2009
 Technical 12/11/2018

LOWER LEVEL COURSES

	Cr. Hrs.
— SPCX608 (1)	3
&— AMHX010 (2)	3
&— AMHX020 (2)	3
&— POSX041 (2)	3
&— POSX112	3
or— CPOX001	3
or— INRX001	3
or— PSYX012 (2)	3
&— ECOX013	3
or— ECOX023	3

FOR ALL MAJORS: Students are strongly encouraged to select required lower division electives that will enhance their general education coursework and that will support their intended baccalaureate degree program. Students should consult with an academic advisor in their major degree area.

-
- (1) Although this course is not a common prerequisite at UF, it is a graduation requirement.
 - (2) This course is not a common prerequisite for FAMU; however, it does count as a general education course at the institution.
Grade 'C' or higher is required for all common prerequisite courses.
- * Limited Access.

Program:	Public Safety Management (BAS) or Public Safety Administration (BAS) or Public Safety/Homeland Security	CIP:	43.9999
		Track:	1
Offered At:	FAU, FSCJ, FSWSC, MDC, SCFMS, SPC	Program Length:	120 Cr. Hrs.
	REVISED 5/27/09 REVISED 10/27/10 Revised 9/1/2011 Technical revision 7/5/2018		

LOWER LEVEL COURSES

There are no specified common prerequisites for this major. All Florida College System students are encouraged to complete the Associate degree. Students should consult with an academic advisor in their major degree area at the intended transfer institution.

 Admission to Bachelor of Applied Science (B.A.S.) degree programs usually requires an Associate in Science (A.S.) or Associate in Applied Science (A.A.S.) degree in a related area. If a student has earned an Associate in Arts (A.A.) degree, or an A.S. degree, an A.A.S. degree, or its equivalent in an unrelated area, the student may be admitted on a case-by-case basis with approval of the appropriate academic administrator. Some majors may have licensure or other types of requirements prior to admittance. Due to the variance in specialized B.A.S. degree programs and concentrations, students are strongly encouraged to consult with an academic advisor at the B.A.S degree-granting institution.

- (1) Admission into this program requires students to have an A.S. in a public safety discipline (Corrections, Fire Science, Law Enforcement, Emergency Administration Management, Emergency Medical Technology). Students with an A.S. degree may be admitted with approval of the Dean and must complete 24 credits in a single public safety (A.S.) major.
- (2) The FAU degree program is a Bachelor of Public Safety Administration. It is not an AS to BS degree program, and a GPA of 2.0 is required for admission.

Program:	<u>Public Safety and Security</u>	CIP:	<u>43.0107</u>
		Track:	<u>1</u>
Offered At:	<u>FSU</u>	Program Length:	<u>120 Cr. Hrs.</u>

New 9/1/2011

Technical revision 7/18/2018, 9/27/2018

Technical Change 4/16/2019

LOWER LEVEL COURSES

FOR ALL MAJORS: Students are strongly encouraged to select required lower division electives that will enhance their general education coursework and that will support their intended baccalaureate degree program. Students should consult with an academic advisor in their major degree area.

There are no specified common prerequisites for this major. All Florida College System students are encouraged to complete the Associate degree. Students should consult with an academic advisor in their major degree area at the intended transfer institution.

Program:	<u>Radio & TV Broadcasting</u>	CIP:	<u>09.0701</u>
		Track:	<u>1</u>
Offered At:	<u>UCF*</u>	Program Length:	<u>120 Cr. Hrs.</u>
	<u>UF*</u>		<u>124</u>

REVISED 5/27/09

LOWER LEVEL COURSES

	Cr. Hrs.
— AMHX010 (1)	3
&— AMHX020 (1)	3
&— POSX041 (1)	3
&— POSX112 (2)	3
or— CPOX001	3
or— INRX001	3

FOR ALL MAJORS: Students are strongly encouraged to select required lower division electives that will enhance their general education coursework and that will support their intended baccalaureate degree program. Students should consult with an academic advisor in their major degree area.

-
- (1) Although UCF does not require this course as a common prerequisite, it could apply as a general education course at the institution.
- (2) UCF does not require any of these courses as common prerequisites. They may apply as general education at some institutions.
- Grade 'C' or higher is required for all common prerequisite courses.
- * Limited Access.

Program: Radiography **CIP:** 51.0911
Track: 1
Offered At: UNF* **Program Length:** 120 Cr. Hrs.

New 10/23/2013

LOWER LEVEL COURSES

	Cr. Hrs.	
MACX105	3	College Algebra
&- SPCX608	3	Fundamentals of Speech
&- Take one of the following:		
or- BSCX085C	4	Anatomy & Physiology I with lab
or- ZOOX733C		
or- BSCX093C		
&- Take one of the following:		
or- BSCX086C	4	Anatomy & Physiology II with lab
or- PCBX703C		
or- BSCX094C		
&- STAX014	3	Statistics
&- MCBX010C	4	Microbiology with lab
&- PSYX012	3	Introduction to Psychology
&- PHYX053/X053L	4	Algebra-Based Physics with lab

* Limited Access.

Program: Radiologic and Imaging Science

CIP: 51.0907

Track: 1

Offered At: VC

Program Length: 128 Cr. Hrs.

NEW 3/2/11

REVISED 2/27/2019

Technical 6/18/2019

Technical 9/24/2019

LOWER LEVEL COURSES

	Cr. Hrs.
MACX105	3
& ZOOX733C	4
& PCBX703C	4
or BSCX085C	4
& BSCX086C	4
or BSCX085/X085L	
& BSCX086/X086L	
or BSCX093C	4
& BSCX094C	4
or BSCX085	4
& BSCX086	4
or BSCX086C	4
& BSCX094C	4

To be admitted, a student must have current American Registry of Radiologic Technologists (ARRT) certification, American Registry of Diagnostic Medical Sonographers (ARDMS), Certified Nuclear Medicine Technologist (CNMT), or equivalent certification. Students need a minimum overall and college grade point average of 2.50.

FOR ALL MAJORS: Students are strongly encouraged to select required lower division electives that will enhance their general education coursework and that will support their intended baccalaureate degree program. Students should consult with an academic advisor in their major degree area.

Program: Real Estate **CIP:** 52.1501
Track: 1
Offered At: FAU, FIU*, FSU*, UCF **Program Length:** 120 Cr. Hrs.

Revised 5/25/2011
 FAU's program is temporarily suspended (revised 5/10/2012)
 REVISED 10/28/15
 Technical 12/11/2018
 UF's program is terminated. 2/2019

LOWER LEVEL COURSES

	Cr. Hrs.	
ACGX021	3	Principles of Financial Accounting
or- ACGX022	3	
or- ACGX001	3	
&- ACGX011	3	
&- ACGX071	2-3	
or- ACGX301	2-3	
&- CGSX100 ⁽¹⁾	3-4	
or- CGSX100C	3-4	
or- CGSX570	3-4	
or- CGSX060	3-4	
or- CGSX531	3-4	
or- CGSX000	3-4	
or- ISMX000	3-4	
or- CGSX518	3	
&- ECOX013	3	
&- ECOX023	3	
&- STAX023 ⁽²⁾	3-4	
or- STAX122	3-4	
or- QMBX100	3-4	
&- MACX233		

FOR ALL MAJORS: Students are strongly encouraged to select required lower division electives that will enhance their general education coursework and that will support their intended baccalaureate degree program. Students should consult with an academic advisor in their major degree area.

-
- (1) or demonstrated competency
 - (2) At UCF, ECOX401 is an acceptable substitute for STAX023 and MACX233.
 - * Limited Access.

Program:	<u>Religious Studies</u>	CIP:	<u>38.0201</u>
		Track:	<u>1</u>
Offered At:	<u>FIU, FSU, UCF, UF, UNF, USF</u>	Program Length:	<u>120 Cr. Hrs.</u>

REVISED 5/27/09

REVISED 10/28/2009

Added university 10/24/2012

Technical revision 7/5/2018

Technical revision 7/18/2018

LOWER LEVEL COURSES

There are no specified common prerequisites for this major. All Florida College System students are encouraged to complete the Associate degree. Students should consult with an academic advisor in their major degree area at the intended transfer institution.

Students are encouraged to take several religion courses with the REL prefix.

Program:	<u>Resort & Hospitality Management</u>	CIP:	<u>52.0906</u>
		Track:	<u>1</u>
Offered At:	<u>FGCU*</u>	Program Length:	<u>120 Cr. Hrs.</u>

REVISED 2/25/09
 REVISED 10/28/15

LOWER LEVEL COURSES

—————	HFTX000 (1)	Cr. Hrs.
		3

FOR ALL MAJORS: Students are strongly encouraged to select required lower division electives that will enhance their general education coursework and that will support their intended baccalaureate degree program. Students should consult with an academic advisor in their major degree area.

 (1) The Professional Golf Management track under this degree area at FGCU is limited access, and students are awarded the Bachelor's in Professional Golf Management. A golf handicap of 12 or better is required, along with the completion of HFTX000.

* Limited Access.

Program: Restaurant and Food Service Management **CIP:** 52.0905
Track: 1
Offered At: UCF **Program Length:** 120 Cr. Hrs.

REVIEWED - NO CHANGE 2/25/09

LOWER LEVEL COURSES

	Cr. Hrs.
T HFTXXXX	3
&- FSSX221C	3

FOR ALL MAJORS: Students are strongly encouraged to select required lower division electives that will enhance their general education coursework and that will support their intended baccalaureate degree program. Students should consult with an academic advisor in their major degree area.

Program: Rhetorical Speech & Communication **CIP:** 23.1304
Track: 1
Offered At: USF **Program Length:** 120 Cr. Hrs.

REVISED 10/22/08
Changed CIP 11/2/2010 from 23.1001 to 23.1304.
Deleted university 10/24/2012

LOWER LEVEL COURSES

	Cr. Hrs.
— SPCX608 (1)	3

FOR ALL MAJORS: Students are strongly encouraged to select required lower division electives that will enhance their general education coursework and that will support their intended baccalaureate degree program. Students should consult with an academic advisor in their major degree area.

(1) Grade C or better is required.

Program:	<u>Russian</u>	CIP:	<u>16.0402</u>
		Track:	<u>1</u>
Offered At:	<u>FSU</u>	Program Length:	<u>120 Cr. Hrs.</u>

REVISED 5/27/09
 UF and USF terminated fall 2018

LOWER LEVEL COURSES

— RUSX220 (1)	Cr. Hrs.
	3

FOR ALL MAJORS: Students are strongly encouraged to select required lower division electives that will enhance their general education coursework and that will support their intended baccalaureate degree program. Students should consult with an academic advisor in their major degree area.

- (1) Complete the course or equivalent or higher proficiency or demonstrate proficiency by testing.

NOTE: Native or heritage speakers or other persons with experience in a foreign language may qualify for a higher level language course, or exempt course(s) entirely. Please see the university to ensure proper advising and placement.

NOTE: Some institutions require a minimum grade in the language courses. Please check with the institution.

Program: Russian & East European Studies **CIP:** 05.0105
Track: 1
Offered At: FSU **Program Length:** 120 Cr. Hrs.

REVIEWED - NO CHANGE 5/27/09
Technical revision 7/3/2018

LOWER LEVEL COURSES

There are no specified common prerequisites for this major. All Florida College System students are encouraged to complete the Associate degree. Students should consult with an academic advisor in their major degree area at the intended transfer institution.

Program:	<u>Science Teacher Education</u>	CIP:	<u>13.1316</u>
	<u>Biology Teacher Education</u>	Track:	<u>1/5</u>
Offered At:	<u>FAU, USF</u>	Program Length:	<u>120 Cr. Hrs.</u>

(Tracks under a different CIP number at CC, FGCU, FSWSC, IRSC, MDC, SPC)

(UF students get their bachelor's degrees in discipline)

Revised 5/26/2010 to reflect previously approved changes.

Comment revision 10/24/2012

FAMU deleted 4/27/2016

Footnote deleted and revised 9/13/2016

Revised Oct. 2017

Technical revision 7/6/2018

UCF & UNF deleted 11/26/2018

LOWER LEVEL COURSES

	Cr. Hrs.	
EDFX005	3	Intro to Education
&—		
—	4	BSCX010/X010L
—	4	&— BSCX011/X011L
—	4	or— BSCX010C
—	4	&— BSCX011C
&—		Select two of the following options: ⁽¹⁾
—	4	or— CHMX045/X045L
—	4	or— PHYX048/X048L
—	4	or— CHMX045C ⁽¹⁾
—	4	or— PHYX048C ⁽¹⁾
—	4	or— PHYX053/X053L
—		or— Take all of the following ⁽¹⁾
—	4	&— CHMX046/X046L
—		or— Take all of the following ⁽¹⁾
—	4	&— PHYX049/X049L
—		or— Take All of the following ⁽¹⁾
—	4	&— PHYX054/X054L
—	4	or— CHMX046C ⁽¹⁾
—	4	or— PHYX049C ⁽¹⁾
&—		
—	4	MACX311
—	4	or— MACX241

(Please see notes in the following page)

(Continues from previous page)

FOR ALL MAJORS: Students are strongly encouraged to select required lower division electives that will enhance their general education coursework and that will support their intended baccalaureate degree program. Students should consult with an academic advisor in their major degree area.

FOR EDUCATION MAJORS: General education courses will be determined by the community college or university where the student currently is earning the Associate in Arts or baccalaureate degree, and will be published in the institution's existing catalog and delineated in the Statewide Course Numbering System.

-
- (1) or higher. UNF prefers students to take one Chemistry/lab combination and one Physics/lab combination.

Program:	<u>Science Teacher Education</u>	CIP:	<u>13.1316</u>
	<u>Chemistry Teacher Education</u>	Track:	<u>2/5</u>
Offered At:	<u>FAU, USF</u>	Program Length:	<u>120 Cr. Hrs.</u>

(Track under a different CIP at MDC)

(UF & UWF students get their bachelor's degrees in the discipline)

Please note that FSU and FIU offer Chemistry Teacher Education as a track within 40.0501. The common prerequisites for the 40.0501 track are different.

Revised Oct 2010

Added note 6/26/2013

FAMU terminated program 4/27/2016.

Footnote deleted and revised 9/13/2016

Revised Oct. 2017

UCF and UNF deleted 11/26/2018

LOWER LEVEL COURSES

	Cr. Hrs.	
EDFX005	3	Intro to Education
&- MACX311	4	
&- CHMX045/X045L	4	
&- CHMX046/X046L	4	
&- PHYX049/X049L	4	
&- PHYX048/X048L	4	
or PHYX053/X053L	4	
&- PHYX054/X054L	4	
or PHYX049C	4	
&- PHYX048C	4	
or PHYX053C	4	
&- PHYX054C	4	

FOR ALL MAJORS: Students are strongly encouraged to select required lower division electives that will enhance their general education coursework and that will support their intended baccalaureate degree program. Students should consult with an academic advisor in their major degree area.

FOR EDUCATION MAJORS: General education courses will be determined by the community college or university where the student currently is earning the Associate in Arts or baccalaureate degree, and will be published in the institution's existing catalog and delineated in the Statewide Course Numbering System.

-
- (1) UNF prefers students to take one Physics with lab and one Biology with lab courses instead of two Physics courses (in addition to the Chemistry).

Program:	<u>Science Teacher Education</u>	CIP:	<u>13.1316</u>
	<u>Earth/Space Teacher Education</u>	Track:	<u>3/5</u>
Offered At:	<u>DSC</u>	Program Length:	<u>120 Cr. Hrs.</u>
	<u>MDC</u>		<u>126</u>

REVISED 2/25/09

Please note that FIU offers Earth Science Teacher Education as a track within 40.0601. The common prerequisites for the 40.0601 track are different.

Revised 2/24/2010

Footnote deleted and revised 9/13/2016

Technical revision 7/6/2018

Technical 6/19/2019

LOWER LEVEL COURSES

	Cr. Hrs.	
EDFX005	3	Intro to Education
&- MACX311	4	
&-	4	BSCX010/X010L
&-	4	BSCX011/X011L
or	4	CHMX045/X045L
&-	4	CHMX046/X046L
or	4	PHYX048/X048L
&-	4	PHYX049/X049L
or	4	BSCX010C
&-	4	BSCX011C
or	4	CHMX045C
&-	4	CHMX046C
or	4	PHYX048C
&-	4	PHYX049C
&- OCEXXXX (1)	3	
&- Take both courses: (1)		
&- GLYXXXX/XXXXL	4	

FOR ALL MAJORS: Students are strongly encouraged to select required lower division electives that will enhance their general education coursework and that will support their intended baccalaureate degree program. Students should consult with an academic advisor in their major degree area.

FOR EDUCATION MAJORS: General education courses will be determined by the college or university where the student currently is earning the Associate in Arts or baccalaureate degree, and will be published in the institution's existing catalog and delineated in the Statewide Course Numbering System.

- (1) Courses options from 1000 to 2999 for each of the courses. Students take course and corresponding lab.

Program:	<u>Science Teacher Education</u>	CIP:	<u>13.1316</u>
	<u>Physics Teacher Education</u>	Track:	<u>4/5</u>
Offered At:	<u>FAU, UCF, USF</u>	Program Length:	<u>120 Cr. Hrs.</u>

(Track under a different CIP at MDC)

(UF & UWF students get their bachelor's degrees in the discipline)

REVISED 2/24/2010

Please note that FIU offers Physics Teacher Education as a track within 40.0801. The common prerequisites for the 40.0801 track are different.

Revised Oct 2010

FAMU terminated program 4/27/2016.

Footnote deleted and revised 9/13/2016

Revised Oct. 2017

UCF and UNF deleted 11/26/2018

Technical 6/17/2019

LOWER LEVEL COURSES

	Cr. Hrs.	
— EDFX005	3	Intro to Education
&— MACX311	4	
&— MACX312	4	
&— MACX313	4	
&— CHMX045/X045L	4	
&— CHMX046/X046L	4	
or— Take all of the following:		
&— CHMX045C	4	
&— CHMX046C	4	
&— Select from the following:		
or— Take all:		
&— PHYX048/X048L	5	
&— PHYX049/X049L	5	
or— Take All:		
&— PHYX048C	5	
&— PHYX049C	5	

FOR ALL MAJORS: Students are strongly encouraged to select required lower division electives that will enhance their general education coursework and that will support their intended baccalaureate degree program. Students should consult with an academic advisor in their major degree area.

FOR EDUCATION MAJORS: General education courses will be determined by the community college or university where the student currently is earning the Associate in Arts or baccalaureate degree, and will be published in the institution's existing catalog and delineated in the Statewide Course Numbering System.

Program:	<u>Science Teacher Education</u>	CIP:	<u>13.1322</u>
	<u>Biology Teacher Education</u>	Track:	<u>1</u>
Offered At:	<u>BC, CC, DSC, FSWSC, IRSC, NWFSC</u>	Program Length:	<u>120 Cr. Hrs.</u>
	<u>SPC</u>		<u>121</u>
	<u>MDC</u>		<u>129</u>

(FAMU, FAU, FIU, UCF, UNF, and USF offer this degree under CIP 13.1316 Track 1)

REVISED 2/25/09

Revised 5/26/2010

Footnote deleted and revised 9/13/2016

Footnote deleted and revised 10/18/17

Revised Feb. 2018

Technical revision 7/6/2018

LOWER LEVEL COURSES

	Cr. Hrs.	
EDFX005	3	Intro to Education
&—		
— BSCX010/X010L	4	
— &— BSCX011/X011L	4	
— or— BSCX010C	4	
— &— BSCX011C	4	
&— Pick 2 options from the list below: ⁽¹⁾		
— or— CHMX045/X045L	4	
— or— PHYX048/X048L	4	
— or— CHMX045C	4	
— or— PHYX048C	4	
— or— PHYX053/X053L	4	
— or— PHYX053C	4	
— or— CHMX046C	4	
— or— PHYX049C	4	
— or— PHYX054C	4	
— or— Take both courses		
— &— CHMX046/X046L	4	
— or— Take both courses:		
— &— PHYX049/X049L	5	
— or— Take both courses		
— &— PHYX054/X054L	5	
&—		
— MACX311	4	
— or— MACX241	4	

(Please see notes in the following page)

(Continues from previous page)

FOR ALL MAJORS: Students are strongly encouraged to select required lower division electives that will enhance their general education coursework and that will support their intended baccalaureate degree program. Students should consult with an academic advisor in their major degree area.

FOR EDUCATION MAJORS: General education courses will be determined by the college or university where the student currently is earning the Associate in Arts or baccalaureate degree, and will be published in the institution's existing catalog and delineated in the Statewide Course Numbering System.

- (1) or higher.

Program:	<u>Science Teacher Education</u>	CIP:	<u>13.1323</u>
	<u>Chemistry Teacher Education</u>	Track:	<u>1</u>
Offered At:	<u>DSC</u>	Program Length:	<u>120 Cr. Hrs.</u>
	<u>MDC</u>		<u>127</u>

(FAMU, FAU, FIU, UCF, UNF, and USF offer this degree under CIP 13.1316 Track 2)

REVISED 2/25/09

Revised Oct 2010

Added note 10/24/2012

Footnote deleted and revised 9/13/2016

LOWER LEVEL COURSES

	Cr. Hrs.	
EDFX005	3	Intro to Education
&- MACX311	4	
&- CHMX045/X045L	4	
&- CHMX046/X046L	4	
&- PHYX048/X048L	4	
&- PHYX049/X049L	4	
or- PHYX053/X053L	4	
&- PHYX054/X054L	4	
or- Take all of the following		
&- PHYX048C	4	
&- PHYX049C	4	
or- Take all of the following		
&- PHYX053C	4	
&- PHYX054C	4	

FOR ALL MAJORS: Students are strongly encouraged to select required lower division electives that will enhance their general education coursework and that will support their intended baccalaureate degree program. Students should consult with an academic advisor in their major degree area.

FOR EDUCATION MAJORS: General education courses will be determined by the college or university where the student currently is earning the Associate in Arts or baccalaureate degree, and will be published in the institution's existing catalog and delineated in the Statewide Course Numbering System.

Program:	<u>Science Teacher Education</u>	CIP:	<u>13.1329</u>
	<u>Physics Teacher Education</u>	Track:	<u>1</u>
Offered At:	<u>DSC</u>	Program Length:	<u>120 Cr. Hrs.</u>
	<u>MDC</u>		<u>126</u>

(FAMU, FAU, FIU, UCF, UNF, and USF offer this degree under CIP 13.1316 Track 4)

REVISED 2/25/09

Revised Oct 2010

Added note 10/24/2012

Footnote deleted and revised 9/13/2016

Footnote deleted and revised 10/18/17

LOWER LEVEL COURSES

	Cr. Hrs.	
EDFX005	3	Intro to Education
&- MACX311	4	
&- MACX312	4	
&- MACX313	4	
&- PHYX048/X048L	4	
&- PHYX049/X049L	4	
or- PHYX048C	4	
&- PHYX049C	4	
&- CHMX045/X045L	4	
&- CHMX046/X046L	4	
or- Take all of the following		
&- CHMX045C	4	
&- CHMX046C	4	

FOR ALL MAJORS: Students are strongly encouraged to select required lower division electives that will enhance their general education coursework and that will support their intended baccalaureate degree program. Students should consult with an academic advisor in their major degree area.

FOR EDUCATION MAJORS: General education courses will be determined by the college or university where the student currently is earning the Associate in Arts or baccalaureate degree, and will be published in the institution's existing catalog and delineated in the Statewide Course Numbering System.

Program:	<u>Secondary Teacher Ed</u>	CIP:	<u>13.1205</u>
	<u>English</u>	Track:	<u>1/6</u>
Offered At:	<u>UCF, UNF</u>	Program Length:	<u>120 Cr. Hrs.</u>

NEW 5/27/09
Footnote deleted and revised 9/13/2016
Revised and UCF added 5/17/2017.

LOWER LEVEL COURSES

	Cr. Hrs.
— EDFX005	3
&— SPCX608	3
or— SPCX017	3
&— LITXXXX	3
or— AMLXXXX	3
&— ENLXXXX	3

FOR ALL MAJORS: Students are strongly encouraged to select required lower division electives that will enhance their general education coursework and that will support their intended baccalaureate degree program. Students should consult with an academic advisor in their major degree area.

FOR EDUCATION MAJORS: General education courses will be determined by the community college or university where the student currently is earning the Associate in Arts or baccalaureate degree, and will be published in the institution's existing catalog and delineated in the Statewide Course Numbering System.

Program:	<u>Secondary Teacher Education</u>	CIP:	<u>13.1205</u>
	<u>Social Sciences</u>	Track:	<u>2/6</u>
Offered At:	<u>FAMU, FGCU, UCF, UNF</u>	Program Length:	<u>120 Cr. Hrs.</u>

NEW 5/27/09
 Added institution 4/27/2016.
 Footnote deleted and revised 9/13/2016
 UCF added 5/17/2017.
 Technical revision 7/6/2018
 FGCU added 11/26/2018
 Typo correction 1/9/2019

LOWER LEVEL COURSES

	Cr. Hrs.
— EDFX005	3
&— AMHX010	3
&— AMHX020	3
&— POSX041	3
&— EDFX005	3
or— SYGXXXX	3
or— ANTXXXX	3
or— PSYXXXX	3
or— GEAXXXX	3

FOR ALL MAJORS: Students are strongly encouraged to select required lower division electives that will enhance their general education coursework and that will support their intended baccalaureate degree program. Students should consult with an academic advisor in their major degree area.

FOR EDUCATION MAJORS: General education courses will be determined by the community college or university where the student currently is earning the Associate in Arts or baccalaureate degree, and will be published in the institution's existing catalog and delineated in the Statewide Course Numbering System.

Program:	<u>Secondary Teacher Education</u>	CIP:	<u>13.1205</u>
	<u>Secondary Mathematics Teacher Education</u>	Track:	<u>3/6</u>
Offered At:	<u>FGCU, UCF</u>	Program Length:	<u>120 Cr. Hrs.</u>

New CIP May 2017
 FGCU added 11/26/2018
 Technical 6/14/2019
 Technical 6/19/2019

LOWER LEVEL COURSES

	Cr. Hrs.	
EDFX005	3	Introduction to Education
&- MACX311	4	
&- MACX312	4	
&- Select one from the following that does not duplicate a previous course taken:		
or- MACXXXX	4	
or- MTGXXXX	4	
or- MASXXXX	4	

Program:	<u>Secondary Teacher Education</u>	CIP:	<u>13.1205</u>
	<u>Biology Teacher Education</u>	Track:	<u>4/6</u>
Offered At:	<u>FGCU, UCF</u>	Program Length:	<u>120 Cr. Hrs.</u>

UCF transferred from 13.1316 to 13.1205 in May 2017.
 Technical revision 7/3/2018
 Revised 11/26/2018
 FGCU added 11/26/2018
 Technical 9/25/2019

LOWER LEVEL COURSES

	Cr. Hrs.	
EDFX005	3	
&- Select from the following:		
or- Take all four courses:		
&- BSCX010/X010L	4	General Biology I
&- BSCX011/X011L	4	General Biology II
or- Take both courses:		
&- BSCX010C	4	
&- BSCX011C	4	
&- Select from the following: ⁽¹⁾		
or- CHMX045C	4	
or- PHYX048C	4	
or- Take both courses:		
&- CHMX045/X045L	4	General Chemistry I
or- Take both courses:		
&- PHYX048/X048L	5	General Physics with Calculus I
or- Take both of the following:		
&- PHYX053/X053L	5	General Physics I
or- PHYX053C		General Physics I with Lab
&- Select two options from the following: ^(1, 2)		
or- CHMX045C	4	General Chemistry I with Lab
or- CHMX046C	4	
or- PHYX049C	5	
or- PHYX048C		
or- PHYX053C		
or- PHYX054C		
or- Take both courses:		
&- CHMX045/X045L	4	General Chemistry I
or- Take both courses:		
&- PHYX048/X048L	5	Gen Physics with Calculus I
or- Take both courses:		
&- PHYX049/X049L	5	General Physics with Calculus II
or- Take both courses:		
&- PHYX054/X054L	5	General Physics II
or- Take both courses:		
&- PHYX053/X053L		
or- Take both courses:		
&- CHMX046/X046L		
&- Select from the following:		
or- MACX311	4	
or- MACX241	4	

- (1) or higher.
 (2) FGCU only requires one.

Program:	<u>Secondary Teacher Education</u>	CIP:	<u>13.1205</u>
	<u>Chemistry Teacher Education</u>	Track:	<u>5/6</u>
Offered At:	<u>UCF</u>	Program Length:	<u>120 Cr. Hrs.</u>

UCF changed from CIP 13.1316 to 13.1205 May 2017.
 Technical revision 7/3/2018

LOWER LEVEL COURSES

	Cr. Hrs.	
EDFX005	3	Intro to Education
&- Select from the following::		
Or- CHMX045C	4	General Chemistry I with Lab
Or- Take both courses::		
&- CHMX045/X045L	4	General Chemistry I
&- Select from the following:		
Or- CHMX046C	4	General Chemistry II and Lab
Or- Take both courses:		
&- CHMX046/X046L	4	General Chemistry II
&- Select from the following groups of courses:		
Or- Take both		
&- PHYX048C		
&- PHYX049C		
Or- Take both		
&- PHYX054C		
&- PHYX053C		
Or- Take all four courses:		
&- PHYX049/X049L	5	
&- PHYX048/X048L	5	
Or- Take all four courses:		
&- PHYX053/X053L	5	
&- PHYX054/X054L	5	

Program:	<u>Secondary Teacher Education</u>	CIP:	<u>13.1205</u>
	<u>Physics Teacher Education</u>	Track:	<u>6/6</u>
Offered At:	<u>UCF</u>	Program Length:	<u>120 Cr. Hrs.</u>

UCF changed from CIP 13.1316 to 13.1205 in May 2017.
 Technical revision 7/3/2018

LOWER LEVEL COURSES

	Cr. Hrs.	
EDFX005	3	Intro to Education
&- MACX311	4	
&- MACX312	4	
&- MACX313	4	
&- Select from the following groups of courses:		
OR- Take all four courses:		
&- PHYX048/X048L	5	General Physics with Calculus I
&- PHYX049/X049L	5	General Physics with Calculus II
OR- Take both courses:		
&- PHYX048C	5	General Physics with Calculus I and Lab
&- PHYX049C	5	General Physics with Calculus II and lab
&- Select from the following groups of courses:		
OR- Take all four courses:		
&- CHMX045/X045L	4	General Chemistry I
&- CHMX046/X046L	4	General Chemistry II
OR- Take both courses:		
&- CHMX045C	4	
&- CHMX046C	4	

Program: Senior Living Management **CIP:** 51.0718
Bachelor of Science **Track:** 1
Offered At: UCF **Program Length:** 120 Cr. Hrs.

New 6/14/2019

LOWER LEVEL COURSES

Cr. Hrs.

Take one of the following:
|
| or- MACX105C
| or- MACX105
|&- CGSX100C
|&- STAX023
|&- ECOX023

Program:	<u>Sign Language</u>	CIP:	<u>16.1603</u>
		Track:	<u>1/2</u>
Offered At:	<u>UNF</u>	Program Length:	<u>120 Cr. Hrs.</u>

NEW 5/27/09

Technical Clarification 10/4/2018.

LOWER LEVEL COURSES

This is an AS to BS degree. Students should consult with an academic advisor in their major degree area at the intended transfer institution.

NOTE: Admission into this BS program requires a two-year degree from a regionally-accredited institution, with a major, concentration, or formal program of study in Sign Language Interpreting.

Program: Sign Language **CIP:** 16.1603
Track: 2/2
Offered At: UNF **Program Length:** 120 Cr. Hrs.

NEW 10/28/15

LOWER LEVEL COURSES

	Cr. Hrs.	
ASLX140	3-4	American Sign Language I
&- ASLX150	3-4	American Sign Language II
&- INTX000	2-3	Introduction to Interpreting
&- ENCX101	3	English Composition I
&- INTX113 (1)	3	English to ASL Sight Translation
&- INTX303 (1)	4	Interpreting Field Experience
&- INTX204 (1)	3	Interpreting in Community Settings
&- INTX010 (1)	3	Discourse Analysis

FOR ALL MAJORS: Students are strongly encouraged to select required lower division electives that will enhance their general education coursework and that will support their intended baccalaureate degree program. Students should consult with an academic advisor in their major degree area.

-
- (1) Students interested in this program who are students at an institution other than UNF may find INTX113, INTX303, INTX204, and INTX010 offered as distance learning courses by UNF. Please contact your institution and UNF to arrange transient student status in order to access these courses.

Program:	<u>Social Psychology</u>	CIP:	<u>42.2707</u>
		Track:	<u>1</u>
Offered At:	<u>FAU</u>	Program Length:	<u>120 Cr. Hrs.</u>

REVIEWED - NO CHANGE 2/25/09
Changed CIP 11/2/2010 from 42.1601 to 42.2707.
Technical revision 7/5/2018

LOWER LEVEL COURSES

There are no specified common prerequisites for this major. All Florida College System students are encouraged to complete the Associate degree. Students should consult with an academic advisor in their major degree area at the intended transfer institution.

Program:	<u>Social Sciences Teacher Education (History, Social Science, Economics, and Political Science)</u>	CIP:	<u>13.1317</u>
		Track:	<u>1</u>
Offered At:	<u>FAMU, FAU, FSU, UCF, USF</u>	Program Length:	<u>120 Cr. Hrs.</u>

(Tracks under a different CIP number at FGCU & UNF)
 (UF students get their bachelor's degrees in the discipline)
 REVISED 2/25/09
 REVISED 10/28/2009
 Deleted university 10/24/2012.
 Footnote deleted and revised 9/13/2016
 Revised Oct. 2017
 Technical 6/19/2019
 Technical 9/23/2019

LOWER LEVEL COURSES

	Cr. Hrs.	
— EDFX005	3	Intro to Education
&— AMHX010	3	
&— AMHX020	3	
&— POSX041	3	
&—	3	
— ECOXXXX	3	
or— SYGXXXX	3	
or— ANTXXXX	3	
or— PSYXXXX	3	
or— GEAXXXX	3	

FOR ALL MAJORS: Students are strongly encouraged to select required lower division electives that will enhance their general education coursework and that will support their intended baccalaureate degree program. Students should consult with an academic advisor in their major degree area.

FOR EDUCATION MAJORS: General education courses will be determined by the community college or university where the student currently is earning the Associate in Arts or baccalaureate degree, and will be published in the institution's existing catalog and delineated in the Statewide Course Numbering System.

- (1) Course options from 1000 to 2999 under each prefix.

Program:	<u>Social Sciences, General</u>	CIP:	<u>45.0101</u>
		Track:	<u>1</u>
Offered At:	<u>FAU, FSU, UCF, USF, UWF</u>	Program Length:	<u>120 Cr. Hrs.</u>

REVISED 5/27/09

Added university 4/11/2013.

Technical revision to coursework 1/7/2019; 9/25/2019

Revised 4/8/2019 to reflect the same curriculum at USF on all campuses.

LOWER LEVEL COURSES

Cr. Hrs.

— Select two courses from the following courses within the social sciences:

- | | | |
|-----|---------|---|
| or- | ANTXXXX | 3 |
| or- | CPOXXXX | |
| or- | ECOXXXX | |
| or- | GEOXXXX | |
| or- | INRXXXX | |
| or- | ISSXXXX | |
| or- | POSXXXX | |
| or- | SYAXXXX | |
| or- | SYDXXXX | |
| or- | SYGXXXX | |
| or- | SYOXXXX | |
| or- | SYPXXXX | |

FOR ALL MAJORS: Students are strongly encouraged to select required lower division electives that will enhance their general education coursework and that will support their intended baccalaureate degree program. Students should consult with an academic advisor in their major degree area.

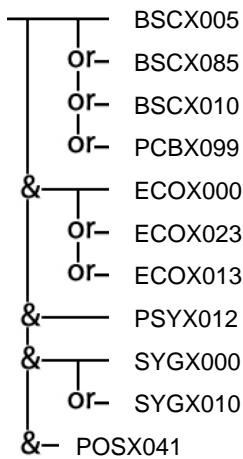
Program: Social Work, General
Offered At: FAMU, FAU, FGCU, FIU*, FSU*, UCF*, UNF*,
USF*, UWF

CIP: 44.0701
Track: 1
Program Length: 120 Cr. Hrs.

Limited access notation added 4/11/2013
Added alternative course 4//4/2014
REVISED 10/28/15
Technical revision 7/5/2018
Technical 12/11/2018

LOWER LEVEL COURSES

Cr. Hrs.



FOR ALL MAJORS: Students are strongly encouraged to select required lower division electives that will enhance their general education coursework and that will support their intended baccalaureate degree program. Students should consult with an academic advisor in their major degree area.

* Limited Access.

Program: Sociology - Anthropology **CIP:** 45.1101
Track: 1/2
Offered At: FIU **Program Length:** 120 Cr. Hrs.

Technical revision 7/16/2018

LOWER LEVEL COURSES

	Cr. Hrs.
— Select one of the following:	
or- SYGX000	3
or- ANTX410	3
&- ANTX000	3

FOR ALL MAJORS: Students are strongly encouraged to select required lower division electives that will enhance their general education coursework and that will support their intended baccalaureate degree program. Students should consult with an academic advisor in their major degree area.

Program: Sociology **CIP:** 45.1101
Track: 2/2
Offered At: FAMU, FAU, FGCU, FSU, UCF, UF, UNF, USF **Program Length:** 120 Cr. Hrs.

REVISED 5/27/09
 REVISED 10/28/2009
 Technical revision 7/16/2018

LOWER LEVEL COURSES

	Cr. Hrs.
SYAXXXX	3
or- SYDXXX	3
or- SYGXXX	3
or- SYOXXX	3
or- SYPXXX	3
& SYAXXXX	3
or- SYDXXX	3
or- SYGXXX	3
or- SYOXXX	3
or- SYPXXX	3

FOR ALL MAJORS: Students are strongly encouraged to select required lower division electives that will enhance their general education coursework and that will support their intended baccalaureate degree program. Students should consult with an academic advisor in their major degree area.

Program: Soils Science

CIP: 01.1201

Offered At: UF

Track: 1

Program Length: 120 Cr. Hrs.

REVISED 2/25/09

LOWER LEVEL COURSES

	Cr. Hrs.
_____ BSCX010/X010L	4
or- BSCX010C	4
or- BOTX010/X010L	4
or- BOTX010C	4
&_____ CHMX045/X045L	4
or- CHMX045C	4
or- CHMX040	
&- CHMX041	
&- CHMX045L	
&_____ ECOX023	3
or- ECOX013	3
&_____ CHMX046/X046L	4
or- CHMX046C	4
&_____ ENCX213	3
or- ENCX210	3
&- MACX311	4
&_____ PHYX004/X004L	4
or- PHYX053/X053L	4
or- PHYX053C	4
&- MCBX000/X000L	4
&- SPCX608	3

FOR ALL MAJORS: Students are strongly encouraged to select required lower division electives that will enhance their general education coursework and that will support their intended baccalaureate degree program. Students should consult with an academic advisor in their major degree area.

Program:	<u>Spanish</u>	CIP:	<u>16.0905</u>
		Track:	<u>1</u>
Offered At:	<u>FIU, FSU, UCF, UF, UNF</u>	Program Length:	<u>120 Cr. Hrs.</u>

(For Spanish Education prerequisites see CIP number 13.1306)

REVISED 5/27/09

The UWF program is inactive at this time.

REVISED 10/28/2009

Deleted university 5/25/2011

Deleted university May 2017.

FAU terminated effective fall 2018; FGCU terminated 2015; USF terminated.

Coursework reflected on page and footnote modified to reflect the technical adjustment.
4/30/2019

LOWER LEVEL COURSES

— SPNX220 ⁽¹⁾	Cr. Hrs.
	3

FOR ALL MAJORS: Students are strongly encouraged to select required lower division electives that will enhance their general education coursework and that will support their intended baccalaureate degree program. Students should consult with an academic advisor in their major degree area.

-
- (1) Must demonstrate proficiency in the language by testing or completion of the intermediate level. The intermediate level is SPNX220 or equivalent. Depending upon where a student begins in his or her language skills will determine if any courses need to be taken prior to the one listed above. See Institution for details.

NOTE: Native or heritage speakers or other persons with experience in a foreign language may qualify for a higher level language course, or exempt course(s) entirely. Please see the university to ensure proper advising and placement.

NOTE: Some institutions require a minimum grade in the language courses. Please check with the institution.

Program:	<u>Special Education, General</u>	CIP:	<u>13.1001</u>
		Track:	<u>1</u>
Offered At:	<u>BC, CC, DSC, FAU, FGCU, FIU, FSU*, UCF, UF*, UNF, USF</u>	Program Length:	<u>120 Cr. Hrs.</u>
	<u>IRSC, MDC, SPC</u>		<u>125</u>
	<u>UWF</u>		<u>132</u>

(Includes tracks in Emotionally Handicapped, Mentally Handicapped, Specific Learning Disabilities, Gifted, Varying Exceptionalities, Physically Impaired, and combinations of these - see table of DOE-approved Teacher Education Programs)

Revised 5/26/10

Added university 10/24/2012

Added university 4/11/2013

UWF hours revised 4/4/2014

REVISED 10/28/15

Footnote deleted and revised 9/13/2016

Revised Oct. 2017

Revised Feb. 2018

USFSP, USFSM offering removed 4/8/19

LOWER LEVEL COURSES

	Cr. Hrs.	
— EDFX005	3	Intro to Education

FOR ALL MAJORS: Students are strongly encouraged to select required lower division electives that will enhance their general education coursework and that will support their intended baccalaureate degree program. Students should consult with an academic advisor in their major degree area.

FOR EDUCATION MAJORS: General education courses will be determined by the college or university where the student currently is earning the Associate in Arts or baccalaureate degree, and will be published in the institution's existing catalog and delineated in the Statewide Course Numbering System.

* Limited Access.

Program: Speech Communication and Rhetoric **CIP:** 09.0101
Track: 1
Offered At: FAU, FGCU, FIU, UCF, USF **Program Length:** 120 Cr. Hrs.

New universities 10/24/2012
USF Tampa added BA Communications and Rhetoric fall 2015.
Revised 4/27/2016
Added FGCU Feb. 2018

LOWER LEVEL COURSES

	Cr. Hrs.	
— SPCX608	3	Public Speaking I

FOR ALL MAJORS: Students are strongly encouraged to select required lower division electives that will enhance their general education coursework and that will support their intended baccalaureate degree program. Students should consult with an academic advisor in their major degree area.

Program: Speech Pathology & Audiology (USFSM) **CIP:** 51.0201
Track: 1
Offered At: USF **Program Length:** 120 Cr. Hrs.

New 10/23/2013

Revised 4/8/2019 to reflect the curriculum is offered at the USF Sarasota-Manatee campus.

Technical 9/25/2019

LOWER LEVEL COURSES

	Cr. Hrs.
STAXXX	3
&- Select from the following:	
or- BSCXXX	3
or- APKXXX	
or- ANTX511	
&- Select from the following:	
or- PHYXXX	3
or- CHMXXX	
or- PSCXXX	
&- Select from the following:	
or- PSYXXX	
or- EXPXXX	
or- CLPXXX	
or- DEPXXX	
or- SYGXXX	
or- SYDXXX	
or- SYOXXX	
or- SYPXXX	
or- FYCXXX	
or- FADXXX	

FSU, UCF, UF, and USF Tampa teaches this program under CIP 51.0204. The prerequisites are the same as above.

FOR ALL MAJORS: Students are strongly encouraged to select required lower division electives that will enhance their general education coursework and that will support their intended baccalaureate degree program. Students should consult with an academic advisor in their major degree area.

Program: Speech Pathology & Audiology **CIP:** 51.0204
Track: 1/3
Offered At: FSU*, UCF, UF*, USF, USFSM **Program Length:** 120 Cr. Hrs.

REVISED 5/27/09
 Revised 2011.
 Track change and note 5/22/2013
 Technical revision 7/5/2018
 Revised 11/26/2018

LOWER LEVEL COURSES

	Cr. Hrs.
STAXXXX	3
&— PHYXXXXC	4
or— CHMXXXXC	4
&— PSYXXXX	3
or— EXPXXXX	3
or— CLPXXXX	3
or— DEPXXXX	3
or— SYGXXXX	3
or— SYDXXXX	3
or— SYOXXXX	3
or— SYPXXXX	3
or— FYCXXXX	3
or— FADXXXX	3
&— BSCXXXXC ⁽¹⁾	4 Biology with Lab

FOR ALL MAJORS: Students are strongly encouraged to select required lower division electives that will enhance their general education coursework and that will support their intended baccalaureate degree program. Students should consult with an academic advisor in their major degree area.

(1) The University of Central Florida does not require the lab component as a common prerequisite.

* Limited Access.

Program:	<u>Speech Pathology & Audiology</u>	CIP:	<u>51.0204</u>
	<u>Interpreter Training</u>	Track:	<u>2/3</u>
Offered At:	<u>USF</u>	Program Length:	<u>120 Cr. Hrs.</u>

New Track 5/22/2013

LOWER LEVEL COURSES

	Cr. Hrs.	
ASLX140	4	Basic Sign Language
&- ASLX150	4	Intermediate Sign Language
&- Take one of the following:		
or- ASLX161	4	American Sign Language III
or- ASLX160		
&- Take one of the following:		
or- ASLX201	4	American Sign Language IV
or- ASLX200		
&- Take one of the following:		
or- ASLX301	4	Structure of Sign Language
or- ASLX300	2-4	

FOR ALL MAJORS: Students are strongly encouraged to select required lower division electives that will enhance their general education coursework and that will support their intended baccalaureate degree program. Students should consult with an academic advisor in their major degree area.

Program:	<u>Speech Pathology & Audiology</u>	CIP:	<u>51.0204</u>
	<u>Deaf Studies Concentration</u>	Track:	<u>3/3</u>
Offered At:	<u>USF</u>	Program Length:	<u>120 Cr. Hrs.</u>

New Track 5/22/2013

Technical revision 7/5/2018

LOWER LEVEL COURSES

There are no specified common prerequisites for this major. All Florida College System students are encouraged to complete the Associate degree. Students should consult with an academic advisor in their major degree area at the intended transfer institution.

Program: Sport Management

CIP: 31.0504

Track: 1

Offered At: FSU*, UF, UNF, UWF

Program Length: 120 Cr. Hrs.

Revised 2/24/2010

REVISED 10/28/15

Technical revision 7/10/2018

Technical revision 7/20/2018

Revised 10/24/2018

Technical 12/10/18

LOWER LEVEL COURSES

	Cr. Hrs.	
Take one of these courses: (1)		
or- FINXXXX	3	
or- MARXXXX	3	
or- GEBXXXX	3	
&- Take one of these courses: (2)		
or- MANXXXX	3	
or- BULXXXX	3	
or- CGSXXXX	3	
or- STAXXXX	3	
or- ACGXXXX	3	
or- REEXXXX	3	
&- Take one of these courses: (3)		
or- HFTXXXX	3	
or- RMIXXXX	3	
or- ECOXXXX	3	
or- SDSXXXX	3	
or- COMXXXX	3	
&- SPMX000 (4)	3	Intro to Sport Mgt

FOR ALL MAJORS: Students are strongly encouraged to select required lower division electives that will enhance their general education coursework and that will support their intended baccalaureate degree program. Students should consult with an academic advisor in their major degree area.

-
- (1) FSU and UWF students may choose any course within prefixes. There are no prerequisites for UF and UNF in this area.
 - (2) FSU and UWF may choose any course within prefixes. Students who may be interested in Sport Management at UF or UNF must take ACGX021.
 - (3) FSU and UWF students may choose any course within prefixes. Students who may be interested in Sport Management at UF or UNF must take ECOX013 (or ECOX023 at UF.)
 - (4) The Florida State University, the University of Florida and the University of West Florida do not require this course.
- * Limited Access.

Program: Statistics **CIP:** 27.0501
Track: 1
Offered At: FIU, FSU, UCF, UF, UNF, USF **Program Length:** 120 Cr. Hrs.

REVISED 10/22/08

The BS in Statistics at FIU is being Terminated.

LOWER LEVEL COURSES

	Cr. Hrs.	
— COPXXXX (1)	3	
&— MACX311	4	Calculus I
&— MACX312	4	Caculus w/ Analytic Geometry II
&— MACX313	4	
&— _____ BSCXXXX/XXXXL (2)	4-8	
or— CHMXXXX/XXXXL (2)	4-8	
or— PHYXXXX/XXXXL (2)	4-8	
or— GLYXXXX/XXXXL (2)	4-8	
&— STA2XXX	3	

FOR ALL MAJORS: Students are strongly encouraged to select required lower division electives that will enhance their general education coursework and that will support their intended baccalaureate degree program. Students should consult with an academic advisor in their major degree area.

- (1) a scientific programming course designed for computer science majors
 - (2) two laboratory based science courses designed for science majors
- NOTE that all universities require a 'C' grade or better for admission.

Program:	<u>Studio/Fine Art</u>	CIP:	<u>50.0702</u>
		Track:	<u>1/2</u>
Offered At:	<u>FAMU, FGCU, FIU, FSU*, UCF, UF*, UNF*, USF</u>	Program Length:	<u>120 Cr. Hrs.</u>
	<u>UWF</u>		<u>126</u>

REVISED 5/27/09
 REVISED 10/27/10
 Clarified requirements 5/1/2019
 Technical 6/18/2019

LOWER LEVEL COURSES

	Cr. Hrs.	
ARTX201	3	
or- ARTX803C	3	Art Workshop Research and Practice
or- ARTX202C		Design II, Lower (2-D)
&- Select an option that does not duplicate another course taken: (2)		
or- ARTX202C	3	Design II, Lower (2-D)
or- ARTX203	3	Design II, Lower (3-D)
or- ARTX701C	3	Sculpture I
or- ARTX203C	3	Design II, Lower (3-D)
&- ARTX300C	3	Drawing I lower
&- Select an option that does not duplicate another course taken:		
or- ARTX330C	3	Life Drawing I, Lower
or- ARTX205	3	Color and Composition, Lower
or- ARTX310C	3	Drawing, Upper
or- ARTX305C	3	Drawing II
or- ARTX330C		Life Drawing I Lower
or- ARTX301C		Drawing II
or- ARTX200C		Three Dimensional Design
or- ARTX353C		Drawing Studio
or- ARTX301C		Drawing II
or- ARTX312C		Drawing II, Upper
or- ARTX500		Painting I, Lower
or- ARTX500C		Painting I Lower
&- ARHX050 (1)	3	
&- ARHX051 (1)	3	
&- Select two courses below that do not duplicate others:		
&- ARTXXXX	3	
&- ARTXXXX	3	

(Please see notes in the following page)

(Continues from previous page)

FOR ALL MAJORS: Students are strongly encouraged to select required lower division electives that will enhance their general education coursework and that will support their intended baccalaureate degree program. Students should consult with an academic advisor in their major degree area.

- (1) All courses except ARHX050 and ARHX051 require a 'C' or higher.
- * Limited Access.

Program:	<u>Studio/Fine Art</u>	CIP:	<u>50.0702</u>
	<u>Graphic Design</u>	Track:	<u>2/2</u>
Offered At:	<u>UNF, UWF</u>	Program Length:	<u>120 Cr. Hrs.</u>

New track 3/2/2011

FAMU, FSU*, and USF have a graphic design degree program located at CIP 50.0409.

UWF added 10/24/2018

Technical 6/18/2019

LOWER LEVEL COURSES

	Cr. Hrs.
ARTX300	3
&- ARTX201	3
&- Take one of the courses listed below:	
or- DIGX000	3
or- ARTX602	3
or- GRAX143C	3
or- ARTX605C	3
&- Take one of the courses listed below:	
or- ARHX053	3
or- ARHX051	3
or- ARHXXXX	3
&- Take one of the courses listed below:	
or- ARTX301	3
or- ARTX203	3
or- PGYX101	3
or- ARTX330C	3
&- Take one of the courses listed below:	
or- GRAX111	3
or- GRAX190	3
&- Take one of the courses listed below:	
or- GRAXXXX	3
or- GRAX208	3
or- DIGX025	3

FOR ALL MAJORS: Students are strongly encouraged to select required lower division electives that will enhance their general education coursework and that will support their intended baccalaureate degree program. Students should consult with an academic advisor in their major degree area.

*Limited Access.

Program:	Supervision and Management (BAS), Organizational Management (BAS), Business and Organizational Management (BAS), Administration and Supervision (BAS), Supervision and Organizational Management (BAS), or <u>Management and Organizational Leadership (BAS)</u>	CIP:	52.0299
Offered At:	BC, CCF, DSC, EFSC, FSCJ, FSWSC, GCSC, IRSC, LSSC, MDC, NWFSC, PBSC, PESC, PHSC, PSC, SFC, SFSC, SJRSC, SPC	Track:	<u>1</u>
		Program Length:	120 Cr. Hrs.

REVISED 5/27/09
 REVISED 10/27/10
 REVISED 4/18/12
 REVISED 2/27/13
 REVISED 10/23/13
 REVISED 6/30/14
 REVISED 12/9/14
 Technical Change 4/16/2019

LOWER LEVEL COURSES

FOR ALL MAJORS: Students are strongly encouraged to select required lower division electives that will enhance their general education coursework and that will support their intended baccalaureate degree program. Students should consult with an academic advisor in their major degree area.

 There are no specified common prerequisites for this major. All Florida College System students are encouraged to complete the Associate degree. Students should consult with an academic advisor in their major degree area at the intended transfer institution.

Program: Supply Chain Management **CIP:** 52.0203
Track: 2/3
Offered At: MDC **Program Length:** 120 Cr. Hrs.

NEW 4/4/14
 Technical 12/11/2018

LOWER LEVEL COURSES

	Cr. Hrs.
— ACGX021/X021L	4
&— ACGX071/X071L	4
&— CGSX060	4
&— ECOX013	3
&— ECOX023	3
&— MANX021	3
&— TRAX010	3
&— TRAX154	3

FOR ALL MAJORS: Students are strongly encouraged to select required lower division electives that will enhance their general education coursework and that will support their intended baccalaureate degree program. Students should consult with an academic advisor in their major degree area.

Admission to Bachelor of Applied Science (B.A.S) degree programs usually requires an Associate in Science (A.S) or Associate in Applied Science (A.A.S) degree in a related area. If a student has earned an Associate in Arts (A.A.) degree, or an A.S. degree, an A.A.S. degree, or its equivalent in an unrelated area, the student may be admitted on a case-by-case basis with approval of the appropriate academic administrator. Some majors may have licensure or other types of requirements prior to admit

Program:	Supply Chain Management (BAS), Logistics (BAS), Industrial Logistics (BAS)	CIP:	52.0203
		Track:	1/3
Offered At:	BC, FGC, FSCJ	Program Length:	120 Cr. Hrs.
	NEW 2/27/13		
	REVISED 4/4/14		
	Technical revision 7/5/2018		

LOWER LEVEL COURSES

There are no specified common prerequisites for this major. All Florida College System students are encouraged to complete the Associate degree. Students should consult with an academic advisor in their major degree area at the intended transfer institution.

Admission to Bachelor of Applied Science (B.A.S.) degree programs usually requires an Associate in Science (A.S.) or Associate in Applied Science (A.A.S.) degree in a related area. If a student has earned an Associate in Arts (A.A.) degree, or an A.S. degree, an A.A.S. degree, or its equivalent in an unrelated area, the student may be admitted on a case-by-case basis with approval of the appropriate academic administrator. Some majors may have licensure or other types of requirements prior to admittance. Due to the variance in specialized B.A.S. degree programs and concentrations, students are strongly encouraged to consult with an academic advisor at the B.A.S degree-granting institution.

Program:	<u>Supply Chain Management</u>	CIP:	<u>52.0203</u>
	<u>Logistics</u>	Track:	<u>3/3</u>
Offered At:	<u>FAMU, FGCU, FIU, UNF, UWF</u>	Program Length:	<u>120 Cr. Hrs.</u>

NEW 4/4/14
 REVISED 10/28/15
 Revised Fall 2017
 Typo corrected 5/28/2018
 Technical revision 7/17/2018
 FIU added 10/24/2018
 Technical 12/11/2018
 Technical addition 6/13/2019

LOWER LEVEL COURSES

	Cr. Hrs.	
— ECOX013	3	
&— ECOX023	3	
&— MACX311	4	Analytic Geometry and Calculus I
or— MACX281		
or— MACX233		
&— STAX023	3	Statistics
or— ESIX213		
or— STAX024		
or— STAX032		
or— STAX037		
or— STAX122		
or— QMBX100		
&— ACGX021	3	Principles of Financial Accounting
or— ACGX022		
or— ACGX001		
&— ACGX011		
&— ACGX071	4	Principles of Managerial Accounting
or— ACGX301		
or— ACGX072		
&— BULX241 ⁽¹⁾	2	Law, Public Policy, Negotiation & Business
or— CGSX092		
or— PHIX600		
or— BULX131		
or— MANX440		
or— GEBX350		
or— CGSX100		
or— CGSX570		
or— CGSX531		

(Please see notes in the following page)

(Continues from previous page)

FOR ALL MAJORS: Students are strongly encouraged to select required lower division electives that will enhance their general education coursework and that will support their intended baccalaureate degree program. Students should consult with an academic advisor in their major degree area.

NOTE: TRAX010 and TRAX154 are acceptable alternative credit for coursework required for the degree program.

- (1) BULX241 and its alternative courses are not required for FAMU. Once enrolled, students will take BUL4130 (Legal Environment of Business) as part of the required upper division courses to satisfy this requirement.

Program:	<u>Surveying</u>	CIP:	<u>15.1102</u>
		Track:	<u>1</u>
Offered At:	<u>UF</u>	Program Length:	<u>120 Cr. Hrs.</u>

REVIEWED - NO CHANGE 2/25/09

LOWER LEVEL COURSES

	Cr. Hrs.
CHMX040	4
or CHMX045/X045L	4
& MACX311	3
& MACX312	3
& PHYX053/X053L	4
or PHYX048/X048L	4

FOR ALL MAJORS: Students are strongly encouraged to select required lower division electives that will enhance their general education coursework and that will support their intended baccalaureate degree program. Students should consult with an academic advisor in their major degree area.

Program:	<u>Sustainability Management (BAS)</u>	CIP:	<u>03.0299</u>
		Track:	<u>1</u>
Offered At:	<u>SPC</u>	Program Length:	<u>120 Cr. Hrs.</u>

NEW 10/28/2009

LOWER LEVEL COURSES

Students with the following Associate in Science (AS) degrees will be admitted: Environmental Science Technology, Architectural Design & Construction Technology, Drafting and Design Technology or Engineering Technology. Students who do not have one of the AS degrees listed will be required to take 15 credits in related coursework which mirrors coursework for SPC's AS in Environmental Science Technology degree requirements. The courses include - 15 credits in related courses at the lower division 1000 and 2000 level with a prefix of ARC (except ARC1126C), BSC2250C, CHM, ECO2013, ECO2023, EET, ETM1010C, ESC, EVS, EVR, GLY, GIS, OCE, OCB, PHY, and SYR200 or 2010.

FOR ALL MAJORS: Students are strongly encouraged to select lower division electives that will enhance their general education coursework and that will support their intended baccalaureate degree program. Consult with an academic advisor in your major degree area.

Program:	<u>Sustainability and Built Environment</u>	CIP:	<u>30.3301</u>
		Track:	<u>1</u>
Offered At:	<u>UF*, USF</u>	Program Length:	<u>120 Cr. Hrs.</u>

NEW CIP 5/26/2010. Changed from 30.9995.

REVISED 10/28/15

Technical addition 6/13/2019; 9/25/2019

The curriculum is offered on the USF St. Petersburg campus.

LOWER LEVEL COURSES

There are no specified common prerequisites for this major. All Florida College System students are encouraged to complete the Associate degree. Students should consult with an academic advisor in their major degree area at the intended transfer institution.

* Limited Access.

Program:	Teacher Education, Multiple Levels	CIP:	13.1206
	BS in Education with Teaching Certifications in Elementary Ed and Exceptional Student Ed with Endorsements in English for Speakers of Other Languages and Reading	Track:	1/3
Offered At:	USF	Program Length:	120 Cr. Hrs.

NEW 10/22/08
 Title change 10/24/2012
 Footnote deleted and revised 9/13/2016
 Revised Oct. 2017.
 USFSP offering replaced with USF 4/8/19

LOWER LEVEL COURSES

	Cr. Hrs.	
— EDFX005	3	Intro to Education

FOR ALL MAJORS: Students are strongly encouraged to select required lower division electives that will enhance their general education coursework and that will support their intended baccalaureate degree program. Students should consult with an academic advisor in their major degree area.

FOR EDUCATION MAJORS: General education courses will be determined by the community college or university where the student currently is earning the Associate in Arts or baccalaureate degree, and will be published in the institution's existing catalog and delineated in the Statewide Course Numbering System.

Program:	<u>Teacher Education, Multiple Levels</u>	CIP:	<u>13.1206</u>
	<u>Art Education</u>	Track:	<u>2/3</u>
Offered At:	<u>UCF</u>	Program Length:	<u>126 Cr. Hrs.</u>

UCF moved 13.1302 program to 13.1206. May 2017.
 Technical 6/19/2019

LOWER LEVEL COURSES

	Cr. Hrs.	
— EDFX005	3	Intro to Education
&— ARTX300	3	
&— ARTX201 ⁽¹⁾	3	
&— Select one course from the following:		
or— ARTX301	3	
or— ARTX330C ⁽²⁾	3	
or— ARTX205 ⁽³⁾	3	
or— ARTX310C ⁽⁴⁾	3	
or— ARTX305C ⁽⁵⁾	3	
&— Select from the following:		
or— ARTX202C	3	
or— ARTX203 ⁽⁶⁾	3	
&— ARHX050		
&— ARHX051	3	

- (1) Design I, 2-D
- (2) Figure Drawing
- (3) Color, color composition
- (4) Intermediate Drawing
- (5) Observational drawing, perceptual drawing
- (6) Design II, 3-D

FOR ALL MAJORS: Students are strongly encouraged to select required lower division electives that will enhance their general education coursework and that will support their intended baccalaureate degree program. Students should consult with an academic advisor in their major degree area.

FOR EDUCATION MAJORS: General education courses will be determined by the Florida College System institution or university where the student currently is earning the Associate in Arts or baccalaureate degree, and will be published in the institution's existing catalog and delineated in the Statewide Course Numbering System.

Program:	Teacher Education, Multiple Levels - World Language Education	CIP:	13.1206
	World Language Education	Track:	3/3
Offered At:	UCF	Program Length:	120 Cr. Hrs.

UCF moved their program from CIP 13.06 to 13.1206 May 2017.

LOWER LEVEL COURSES

	Cr. Hrs.	
— EDFX005	3	Intro to Education
&— XXXXXXXX (1)	8	Same foreign language at the intermediate level.
&— XXXXXXXX (2)	3	Same language of study with cultural emphasis

- (1) Eight semester credits in the same foreign language taught at the intermediate level.
- (2) Three semester credits in the same language of study which includes a cultural emphasis.

FOR ALL MAJORS: Students are strongly encouraged to select required lower division electives that will enhance their general education coursework and that will support their intended baccalaureate degree program. Students should consult with an academic advisor in their major degree area.

FOR EDUCATION MAJORS: General education courses will be determined by the Florida College System institution or university where the student currently is earning the Associate in Arts or baccalaureate degree, and will be published in the institution's existing catalog and delineated in the Statewide Course Numbering System.

Program:	<u>Technology Management (BAS)</u>	CIP:	<u>11.1099</u>
		Track:	<u>1</u>
Offered At:	<u>BC, FSCJ, GCSC, PBSC, SCFMS, SPC</u>	Program Length:	<u>120 Cr. Hrs.</u>

REVISED 10/27/10

REVISED 4/18/12

Technical Change 4/16/2019

LOWER LEVEL COURSES

FOR ALL MAJORS: Students are strongly encouraged to select required lower division electives that will enhance their general education coursework and that will support their intended baccalaureate degree program. Students should consult with an academic advisor in their major degree area.

There are no specified common prerequisites for this major. All Florida College System students are encouraged to complete the Associate degree. Students should consult with an academic advisor in their major degree area at the intended transfer institution.

Program:	<u>Textiles & Clothing</u>	CIP:	<u>19.0901</u>
	<u>Merchandising</u>	Track:	<u>1</u>
Offered At:	<u>FSU</u>	Program Length:	<u>120 Cr. Hrs.</u>

REVIEWED - NO CHANGE 2/25/09
 Revised 5/26/2010
 Technical change 9/27/2018
 Technical change 10/24/2018

LOWER LEVEL COURSES

	Cr. Hrs.	
— ACGX021	3	General Accounting
&—		
— CGSX060	3	Computer Literacy
— or— CGSX100	3	Computer General Studies
&— FADX230	3	Family Relations
&— ECOX013	3	Macroeconomics
&— ECOX023	3	Microeconomics
&—		
— MACX105	3	College Algebra
— or— MGFX106	3	Math for Liberal Arts I
— or— MGFX107	3	Math for Liberal Arts II
&—		
— PSYX012	3	Intro to Psychology
— or— SYGX000	3	Principles of Sociology
— or— SYGX010	3	Social Problems
&—		
— CTEX401C	4	
— or— CTEX401/X401L	4	

FOR ALL MAJORS: Students are strongly encouraged to select required lower division electives that will enhance their general education coursework and that will support their intended baccalaureate degree program. Students should consult with an academic advisor in their major degree area.

Program: Tourism and Travel Services Management **CIP:** 52.0907
Track: 1
Offered At: UCF **Program Length:** 120 Cr. Hrs.

NEW 10/28/2009

Changed CIP 5/26/2010 from 52.0903 to 52.0907.

LOWER LEVEL COURSES

	Cr. Hrs.
— Take either course:	
 or- HFTX000	
 or- HFTX003	3

FOR ALL MAJORS: Students are strongly encouraged to select lower division electives that will enhance their general education coursework and that will support their intended baccalaureate degree program. Consult with an academic advisor in your major degree area.

Program:	<u>Trade & Industrial Teacher Education (Vocational)</u>	CIP:	<u>13.1320</u>
		Track:	<u>1</u>
Offered At:	<u>UCF, UWF</u>	Program Length:	<u>120 Cr. Hrs.</u>

Includes Tracks at the specified university:
 Business Education (UCF)
 Health Occupation Education (UCF)
 Vocational Education & Industry Training (FAMU, UCF)
 Workforce and Program Development(UWF)
 Deleted university 10/24/2012
 Comments updated 4/4/2014
 FAMU terminated 4/27/2016.
 Footnote deleted and revised 9/13/2016
 Revised Oct. 2017
 Technical revision 7/18/2018
 Revised 2/28/2019

LOWER LEVEL COURSES

	Cr. Hrs.	
— ENCX102	3	English Composition 2

FOR ALL MAJORS: Students are strongly encouraged to select required lower division electives that will enhance their general education coursework and that will support their intended baccalaureate degree program. Students should consult with an academic advisor in their major degree area.

FOR EDUCATION MAJORS: General education courses will be determined by the community college or university where the student currently is earning the Associate in Arts or baccalaureate degree, and will be published in the institution's existing catalog and delineated in the Statewide Course Numbering System.

Program: Transportation Management

CIP: 52.0209

Track: 1

Offered At: UNF

Program Length: 120 Cr. Hrs.

REVISED 10/22/08

Technical change 7/24/2018

LOWER LEVEL COURSES

	Cr. Hrs.	
ACGX021	3	Principles of Financial Accounting
or- ACGX022	3	
or- ACGX001	3	
&- ACGX011	3	
&- ACGX071		
or- ACGX301		
&- CGSX100 ⁽¹⁾	3	
or- CGSX100C	3	
or- CGSX570	3	
or- CGSX060	3-4	
or- CGSX531	3	
or- CGSX000	3	
or- ISMX000	3	
&- ECOX013	3	
&- ECOX023	3	
&- STAX023		
or- STAX122		
or- QMBX100		
&- MACX233		

FOR ALL MAJORS: Students are strongly encouraged to select required lower division electives that will enhance their general education coursework and that will support their intended baccalaureate degree program. Students should consult with an academic advisor in their major degree area.

(1) or demonstrated competency

Program: Urban & Regional Planning **CIP:** 04.0301
Track: 1
Offered At: FAU **Program Length:** 120 Cr. Hrs.

REVIEWED - NO CHANGE 5/27/09
Technical revision 7/3/2018

LOWER LEVEL COURSES

There are no specified common prerequisites for this major. All Florida College System students are encouraged to complete the Associate degree. Students should consult with an academic advisor in their major degree area at the intended transfer institution.

Program:	<u>Urban Design</u>	CIP:	<u>04.0401</u>
		Track:	<u>1</u>
Offered At:	<u>FAU</u>	Program Length:	<u>120 Cr. Hrs.</u>

New 9/1/2011

Technical Revision 7/3/2018

Technical revision 7/18/2018

LOWER LEVEL COURSES

- (1) Current FAU basic admission standards are: 2.0 GPA for transfer students with AA Degree; 2.50 GPA for other transfer students; and 2.0 GPA for graduation. There are no specified common prerequisites for this major. All Florida College System students are encouraged to complete the Associate degree. Students should consult with an academic advisor in their major degree area at the intended transfer institution.

Program:	<u>Veterinary Technology (BAS)</u>	CIP:	<u>51.0808</u>
		Track:	<u>1</u>
Offered At:	<u>SPC</u>	Program Length:	<u>120 Cr. Hrs.</u>

REVIEWED - NO CHANGE 5/27/09
Technical Change 4/16/2019

LOWER LEVEL COURSES

FOR ALL MAJORS: Students are strongly encouraged to select required lower division electives that will enhance their general education coursework and that will support their intended baccalaureate degree program. Students should consult with an academic advisor in their major degree area.

There are no specified common prerequisites for this major. All Florida College System students are encouraged to complete the Associate degree. Students should consult with an academic advisor in their major degree area at the intended transfer institution.

Program: Vocational Rehabilitation Counseling **CIP:** 51.2310
Track: 1
Offered At: FSU **Program Length:** 120 Cr. Hrs.

REVISED 5/27/09
 The FSU program is inactive at this time.
 REVISED 10/28/2009

LOWER LEVEL COURSES

	Cr. Hrs.
— PSYX012	3
&— BSCX005	3
&— SYGXXXX	3

FOR ALL MAJORS: Students are strongly encouraged to select required lower division electives that will enhance their general education coursework and that will support their intended baccalaureate degree program. Students should consult with an academic advisor in their major degree area.

Program: Water Resources Management (BAS) **CIP:** 03.0205
Track: 2/2
Offered At: FGC **Program Length:** 121 Cr. Hrs.

NEW 6/30/14

Technical Change 4/16/2019

LOWER LEVEL COURSES

FOR ALL MAJORS: Students are strongly encouraged to select required lower division electives that will enhance their general education coursework and that will support their intended baccalaureate degree program. Students should consult with an academic advisor in their major degree area.

There are no specified common prerequisites for this major. All Florida College System students are encouraged to complete the Associate degree. Students should consult with an academic advisor in their major degree area at the intended transfer institution.

Program:	<u>Womens Studies</u>	CIP:	<u>05.0207</u>
		Track:	<u>1</u>
Offered At:	<u>FIU, UF, USF</u>	Program Length:	<u>120 Cr. Hrs.</u>

REVIEWED - NO CHANGE 5/27/09
Technical revision 7/3/2018

LOWER LEVEL COURSES

There are no specified common prerequisites for this major. All Florida College System students are encouraged to complete the Associate degree. Students should consult with an academic advisor in their major degree area at the intended transfer institution.

Program: Zoology

CIP: 26.0701

Offered At: UF

Track: 1

Program Length: 120 Cr. Hrs.

REVISED 10/22/08
Technical 12/12/2018

LOWER LEVEL COURSES

	Cr. Hrs.
_____ BSCX010/X010L	4
or- BSCX010C	4
or- BSCX040C	
& _____ BSCX011/X011L	4
or- BSCX011C	4
or- BSCX041C	
& _____ CHMX045/X045L	4
or- CHMX045C	4
or- _____ CHMX040	3
&- CHMX041	1
& _____ CHMX046/X046L	4
or- CHMX046C	4
& _____ MACX311	4
or- MACX233	4
or- MACX281	4
or- MACX241	4

FOR ALL MAJORS: Students are strongly encouraged to select required lower division electives that will enhance their general education coursework and that will support their intended baccalaureate degree program. Students should consult with an academic advisor in their major degree area.

II.A. Index of Common Prerequisites - Alphabetical Order

Program Name	CIP Number	Page
Accounting FAMU, FAU, FGCU, FIU, FSU, IRSC, UCF, UF, UNF, USF, UWF	52.0301	1
Actuarial Science	52.1304	2
Advanced Technology - Big Data	11.0802	3
Advertising	09.0903	4
Aerospace Engineering	14.0201	5
Aerospace Sciences	49.0101	6
African-American (Black) Studies	05.0201	7
Agricultural (Food & Resource) Economics	01.0103	8
Agricultural Business/Operations	01.0102	9
Agricultural Engineering FAMU	14.0301	10
Agricultural Teacher Education (Vocational)	13.1301	11
Agriculture Science	01.0000	12
American Studies (USA)	05.0102	13
Animal Science (Track 1 of 2) - Animal Biology	01.0901	14
Animal Science (Track 2 of 2) - Animal Industry	01.0901	15
Anthropology	45.0201	16
Applied Physiology and Kinesiology (Track 1 of 2)	26.0908	17
Applied Physiology and Kinesiology (Track 2 of 2) - Fitness and Wellness	26.0908	18
Applied Science	24.0102	19
Architectural Engineering Technology	15.0101	20
Architecture	04.0201	21
Art History & Appreciation	50.0703	22
Art Teacher Education	13.1302	23
Art, General FAU, FGCU, FIU, UCF, UNF, USF, UWF	50.0701	24
Asian Studies	05.0103	25
Astronomy	40.0201	26
Athletic Training FSU, UWF	51.0913	27
Behavioral Healthcare	44.0000	28
Biochemistry	26.0202	29
Biological & Physical Sciences Interdisciplinary Studies (Track 1 of 16) - Biology and Chemistry UWF	30.0101	30
Biological & Physical Sciences Interdisciplinary Studies (Track 2 of 16) - Biology and Computer Science UWF	30.0101	31
Biological & Physical Sciences Interdisciplinary Studies (Track 3 of 16) - Biology and Earth Science UWF	30.0101	32
Biological & Physical Sciences Interdisciplinary Studies (Track 4 of 16) - Biology and Mathematics UWF	30.0101	33
Biological & Physical Sciences Interdisciplinary Studies (Track 5 of 16) - Biology and Physics UWF	30.0101	34
Biological & Physical Sciences Interdisciplinary Studies (Track 6 of 16) - Chemistry and Computer Science UWF	30.0101	35
Biological & Physical Sciences Interdisciplinary Studies (Track 7 of 16) - Chemistry and Earth Science UWF	30.0101	36
Biological & Physical Sciences Interdisciplinary Studies (Track 8 of 16) - Chemistry and Mathematics UWF	30.0101	37
Biological & Physical Sciences Interdisciplinary Studies (Track 9 of 16) - Chemistry and Physics UWF	30.0101	38

Program Name	CIP Number	Page
Biological & Physical Sciences Interdisciplinary Studies (Track 10 of 16) - Computer Science and Earth Science UWF	30.0101	39
Biological & Physical Sciences Interdisciplinary Studies (Track 11 of 16) - Computer Science and Mathematics UWF	30.0101	40
Biological & Physical Sciences Interdisciplinary Studies (Track 12 of 16) - Computer Science and Physics UWF	30.0101	41
Biological & Physical Sciences Interdisciplinary Studies (Track 13 of 16) - Earth Science and Mathematics UWF	30.0101	42
Biological & Physical Sciences Interdisciplinary Studies (Track 14 of 16) - Earth Science and Physics UWF	30.0101	43
Biological & Physical Sciences Interdisciplinary Studies (Track 15 of 16) - Mathematics and Physics UWF	30.0101	44
Biological & Physical Sciences Interdisciplinary Studies (Track 16 of 16) - Interdisciplinary Natural Sciences FIU, USF, NCF	30.0101	45
Biological/Biosystems Engineering	14.4501	46
Biology, General (Track 1 of 4)	26.0101	47
Biology, General (Track 2 of 4) FSU-Teach	26.0101	48
Biology, General (Track 3 of 4) UWF-Teach	26.0101	49
Biology, General (Track 4 of 4)	26.0101	50
Biomedical Sciences	26.0102	51
Biomedical/Bioengineering	14.0501	52
Biotechnology	26.1201	53
Botany, General	26.0301	54
Business Administration & Management	52.0201	55
Business Managerial Economics	52.0601	56
Business Marketing Management	52.1401	57
Business, General (Track 1 of 2)	52.0101	58
Business, General (Track 2 of 2) - (B.A. in Business Administration)	52.0101	59
Cardiopulmonary Science	51.0908	60
Chemical Engineering	14.0701	61
Chemical Sciences (Track 1 of 2)	40.0599	62
Chemical Sciences (Track 2 of 2) - FSU-Teach	40.0599	63
Chemistry (Track 1 of 3)	40.0501	64
Chemistry (Track 2 of 3) - Chemistry Teacher Education FIU	40.0501	65
Chemistry (Track 3 of 3) UWF-Teach	40.0501	66
Civil Engineering	14.0801	67
Classics	16.1200	68
Clinical Laboratory Sciences	51.1005	69
Clinical Nutrition/Nutritionist (FSU)	51.3102	70
Coastal & Ocean Engineering	14.2401	71
Commercial Music	50.1003	72
Communication (Mass), Media Studies or Converged Communications	09.0102	73
Community Health	51.2208	74
Community Health - Community Health Promotion	51.2208	75
Community Health Liaison	51.1504	76
Computational Biology	26.1104	77
Computational Science	30.3001	78
Computer & Information Science (Track 1 of 4) - Computer Science FAMU, FAU, FIU, UCF, UF, UNF, USF, UWF	11.0101	79
Computer & Information Science (Track 2 of 4) - Computer Science FSU	11.0101	80
Computer & Information Science (Track 3 of 4) - Information Systems FAMU, UF, UWF	11.0101	81

Program Name	CIP Number	Page
Computer & Information Science (Track 4 of 4) - BA in Computer Science FSU	11.0101	82
Computer Criminology FSU	43.0116	83
Computer Engineering (Track 1 of 3) - Computer Engineering	14.0901	84
Computer Engineering (Track 2 of 3) - Computer & Information Engineering	14.0901	85
Computer Engineering (Track 3 of 3) - Digital Logic Design, Embedded System Design, and Machine Intelligence	14.0901	86
Computer Networking (BAS) FSCJ	11.0901	87
Computer Science	11.0701	88
Computer Software Engineering	14.0903	89
Computer Software and Media Applications - Cyber Gaming POLY	11.0899	90
Computer and Information Sciences	11.0401	91
Construction Engineering UCF	14.0803	92
Construction/Building Technology (Track 1 of 3) FIU, UF, FGCU	15.1001	93
Construction/Building Technology (Track 2 of 3) FAMU, SSCF	15.1001	94
Construction/Building Technology (Track 3 of 3) UNF	15.1001	95
Criminal Forensic Studies	43.0111	96
Criminal Justice Studies	43.0104	97
Criminology	45.0401	98
Cybersecurity (Track 1 of 3)	11.1003	99
Cybersecurity (Track 2 of 3)	11.1003	100
Cybersecurity (Track 3 of 3)	11.1003	101
Dance (Track 1 of 2) - Dance - B.A. USF	50.0301	102
Dance (Track 2 of 2) - Dance - B.F.A. FSU, UF, USF	50.0301	103
Deaf Education	13.1003	104
Dental Hygiene (BAS)	51.0602	105
Dietetics/Nutritional Services (Track 1 of 3) FIU, FSU	51.3101	106
Dietetics/Nutritional Services (Track 2 of 3) - Dietetics UF	51.3101	107
Digital Arts/Digital Media (Track 1 of 2) - UF, FGCU, FIU	50.0102	108
Digital Arts/Digital Media (Track 2 of 2) - Digital Interactive Systems/Visual Language UCF	50.0102	109
Digital Media FSCJ, GCSC, IRSC	10.0304	110
Drama Education (Track 1 of 2)	50.0501	111
Dramatic Arts/Theatre (Track 2 of 2)	50.0501	112
East Asian Languages	16.0399	113
Economics (Track 1 of 2) - Social Sciences FAMU, FAU, FIU, FSU, UCF, UF, UNF, USF, UWF	45.0601	114
Economics (Track 2 of 2) - Business FAMU, FAU, FGCU, UF, UNF, USF	45.0601	115
Education Instructional Technology	13.0501	116
Education of Blind & Visually Handicapped	13.1009	117
Education, General - Child Development (Track 2 of 2)	13.0101	118
Education, General FAU, UF (Track 1 of 2)	13.0101	119
Educational Studies SPC	13.9999	120
Electrical, Electronics Engineering (Track 1 of 2)	14.1001	121
Electrical, Electronics Engineering (Track 2 of 2) - Control Systems, Digital and Hybrid Systems, Electrodynamics, Magnetics, and Semiconductors	14.1001	122
Electronic Engineering Technology	15.0303	123
Elementary Teacher Education	13.1202	124
Emergency Management	43.0302	125
Energy Technology Management (BAS)	15.0503	126
Engineering Math	27.0301	127
Engineering Physics	14.1201	128

Program Name	CIP Number	Page
Engineering Technology (Track 1 of 2)	15.9999	129
Engineering Technology (Track 2 of 2)	15.9999	130
Engineering Technology, General (Track 1 of 3) - Electrical Track UWF	15.0000	131
Engineering Technology, General (Track 2 of 3) - Construction Track UWF	15.0000	132
Engineering Technology, General (Track 3 of 3) - Instructional UWF	15.0000	133
English Language and Literature	23.0101	134
English Teacher Education	13.1305	135
Entertainment Management	50.1001	136
Entomology	26.0702	137
Entrepreneurship	52.0701	138
Environment & Society	03.0101	139
Environmental Chemistry	40.0509	140
Environmental Science (Track 1 of 3) FSU, UF, USF, UWF	03.0104	141
Environmental Science (Track 2 of 3) FAMU, UWF	03.0104	142
Environmental Science (Track 3 of 3) UWF-Teach	03.0104	143
Environmental Science BC	03.0199	144
Environmental Studies	03.0103	145
Environmental/Environmental Health Engineering	14.1401	146
Exercise Science (Track 1 or 2) UNF, FAU	31.0505	147
Exercise Science (Track 2 of 2) FGCU	31.0505	148
Exercise Science (Track 2 of 2) USF, UCF	13.1314	149
Family & Consumer Sciences Education	13.1308	150
Family and Children Sciences FSU	19.0701	151
Finance, General (BS) FAU, FGCU, FIU, FSU, UCF, UF, UNF, USF, UWF	52.0801	152
Financial Services	52.0803	153
Financial Services	52.0804	154
Fire and Emergency Services	43.0203	155
Food Science & Technology (Track 1 of 2) - Food Science UF	01.1001	156
Food Science & Technology (Track 2 of 2) - Nutritional Sciences UF	01.1001	157
Foreign Language, Multiple	16.0101	158
Forensic Science	43.0106	159
Forest Resources & Conservation (Track 1 of 2) - Wildlife Ecology & Conservation	03.0501	160
Forest Resources & Conservation (Track 2 of 2) - Forest Resources and Conservation	03.0501	161
French	16.0901	162
French and Francophone Studies	05.0124	163
General Studies	24.0106	164
Geography	45.0701	165
Geology (Track 1 of 2)	40.0601	166
Geology (Track 2 of 2) - Earth Science Teacher Education FIU	40.0601	167
Geomatics Engineering	14.3801	168
Geoscience -Environmental (Track 2 of 3)	40.0699	169
Geosciences (Track 1 of 3)	40.0699	170
Geosciences - FSU-Teach	40.0401	171
Geosciences - Geography (Track 3 of 3)	40.0699	172
German Language and Literature	16.0501	173
Gerontology	30.1101	174
Graphic Design	50.0409	175
Greek	16.1202	176
Health Information Management	51.0706	177

Program Name	CIP Number	Page
Health Science (Track 1 of 7) FAU, UF, USF, UWF	51.0000	178
Health Science (Track 2 of 7)	51.0000	179
Health Science (Track 3 of 7)	51.0000	180
Health Science (Track 4 of 7)	51.0000	181
Health Science (Track 5 of 7)	51.0000	182
Health Science (Track 6 of 7)	51.0000	183
Health Science (Track 7 of 7)	51.0000	184
Health Services Administration (BAS), Applied Health Sciences (BAS) EFSC, SPC	51.2211	185
Health Services Administration FAMU, FAU, FGCU, FIU, IRSC, SCFMS, SFC, UCF, UNF, USF	51.0701	186
Health and Physical Education, General (Track 1 of 3) - Physical Education	31.0501	187
Health and Physical Education, General (Track 2 of 3) - Exercise Science	31.0501	188
Health and Physical Education, General (Track 3 of 3) - Health, Leisure, and Fitness Studies	31.0501	189
Hispanic & Latin American Languages, Literature & Linguistics	16.0908	190
History	54.0101	191
Honors College (Track 1 of 2) NCF	24.0199	192
Honors College (Track 2 of 2) FAU	24.0199	193
Horticulture Science	01.1103	194
Hospitality Administration/Management (Track 1 of 4) FIU, UCF, FSU	52.0901	195
Hospitality Administration/Management (Track 2 of 4) FAU, FGCU, FSU & UWF	52.0901	196
Hospitality Administration/Management (Track 3 of 4) USF	52.0901	197
Hospitality Administration/Management (Track 4 of 4)	52.0901	198
Human Resource Development	19.0707	199
Human Resource Management	52.1001	200
Human Services	44.0000	201
Humanities	24.0103	202
Industrial & Systems Engineering	14.2701	203
Industrial/Manufacturing Engineering	14.3501	204
Information Engineering Technology	15.1202	205
Information Sciences and Studies - Computer Information Systems EFSC (BAS)	11.0401	206
Information Technology	11.0104	207
Information Technology (Track 1 of 5) DSC, UCF, USF	11.0103	208
Information Technology (Track 2 of 5) BC (BAS), FAMU, FIU, FSU, USF, UWF	11.0103	209
Information Technology (Track 3 of 5) - Bioinformation Track UWF	11.0103	210
Information Technology (Track 4 of 5) - Information Systems Technology IRSC, MDC, SFC (BAS), SSCF, VC	11.0103	211
Information Technology (Track 5 of 5) UNF	11.0103	212
Insurance / Risk Management	52.1701	213
Interdisciplinary Engineering	14.0101	214
Interdisciplinary Studies UF	30.9999	215
Interior Design (Track 1 of 3) FSU	50.0408	216
Interior Design (Track 2 of 3) UF	50.0408	217
Interior Design (Track 3 of 3) SSCF	50.0408	218
International Business Management FAU, FIU, FSU, SCFMS (BAS), SPC (BAS), USF	52.1101	219
International Relations	45.0901	220
International/Global Studies	30.2001	221
Italian	16.0902	222
Jazz Studies	50.0910	223
Jewish Studies	38.0206	224

Program Name	CIP Number	Page
Journalism FAMU, UCF, UF	09.0401	225
Jr. High/Middle School Teacher Education (Track 1 of 7) - Middle Grade Math/Middle Grade Science Education	13.1203	226
Jr. High/Middle School Teacher Education (Track 2 of 7) - Middle Grade English/Middle Grade Social Science Education	13.1203	227
Jr. High/Middle School Teacher Education (Track 3 of 7) - Middle Grade Math/Middle Grade English Education	13.1203	228
Jr. High/Middle School Teacher Education (Track 4 of 7) - Middle Grade Math/Middle Grade Social Science Education	13.1203	229
Jr. High/Middle School Teacher Education (Track 5 of 7) - Middle Grade Science/Middle Grade English Education	13.1203	230
Jr. High/Middle School Teacher Education (Track 6 of 7) - Middle Grade Science/Middle Grade Social Science Education	13.1203	231
Jr. High/Middle School Teacher Education (Track 7 of 7) - Middle Grade English/Middle Grade Special Education UWF	13.1203	232
Landscape Architecture	04.0601	233
Landscape and Nursery Horticulture	01.0603	234
Latin	16.1203	235
Latin American Studies FSU	05.0134	236
Latin American Studies UCF	05.0107	237
Legal Assisting (Track 1 of 2)	22.0302	238
Legal Studies, General (UCF)	22.0000	239
Liberal Arts & Sciences FAU, FIU, UNF, USF	24.0101	240
Linguistics	16.0102	241
Management Information Systems - Business/Data Processing/Business Information Management FAU, FGCU, FIU, FSU, SSCF, USF, UWF	52.1201	242
Management Science/Business Analytics	52.1301	243
Marine Science (Track 1 of 2)	03.0205	244
Marine/Aquatic Biology	26.1302	245
Maritime Studies	45.9999	246
Marketing, Other - Advertising	52.1499	247
Materials Engineering	14.1801	248
Mathematics Teacher Education (Track 1 of 2) - Secondary Mathematics Education	13.1311	249
Mathematics Teacher Education (Track 2 of 2) - Jr. High/Middle School Mathematics Education BC, CC, FSWSC, IRSC, NWFSC, SPC	13.1311	250
Mathematics, General (Track 1 of 4) - Mathematics, General FAMU, FAU, FIU, FSU, UCF, UF, UNF, USF, UWF	27.0101	251
Mathematics, General (Track 2 of 4) - UWF-Teach	27.0101	252
Mathematics, General (Track 3 of 4) - FSU-Teach	27.0101	253
Mathematics, General (Track 4 of 4) - Mathematics Teacher Education FIU	27.0101	254
Mathematics: Computational and Applied	27.0304	255
Mechanical Engineering (Track 1 of 2)	14.1901	256
Mechanical Engineering (Track 2 of 2) - Nanotechnology	14.1901	257
Medical Technology/Clinical Laboratory Sciences	51.1005	258
Meteorology	40.0401	259
Microbiology/Bacteriology	26.0503	260
Middle Eastern Studies	05.0108	261
Motion Picture & Television Technology (Track 2 of 2) UCF	50.0602	262
Motion Picture & Television Technology, Multimedia and Video Production Technology (BAS) (Track 1 of 2) FSU, MDC, SFC (BAS)	50.0602	263
Multi-/Interdisciplinary	30.0000	264
Multimedia Studies, B.A. (Track 1 of 2) - Journalism FAU, FGCU; Digital	09.0702	265

Program Name	CIP Number	Page
Communication FIU		
Multimedia Studies, B.A. (Track 2 of 2) - Film & Video Studies	09.0702	266
Music Composition	50.0904	267
Music Performance	50.0903	268
Music Studies	50.9999	269
Music Teacher Education	13.1312	270
Music Therapy	51.2305	271
Music, General (Track 1 of 2)	50.0901	272
Music, General - FIU Teach - Music Education (Track 2 of 2)	50.0901	273
Neuroscience	26.2501	274
Nonprofit Management	52.0206	275
Nuclear Engineering	14.2301	276
Nursing (Track 1 of 2) FAMU, FAU, FGCU, FIU, FSU, UCF, UF, UNF, USF, UWF	51.3801	277
Nursing (Track 2 of 2) - A.S. to B.S. BC, CC, CCF, DSC, EFSC, FAMU, FAU, FGC, FGCU, FIU, FKCC, FSCJ, FSU, FSWSC, GCSC, IRSC, MDC, NWFSC, PESCS, PBSC, PHSC, PSC, SCFMS, SFC, SFSC, SJRSC, SPC, SSCF, TCC, VC	51.3801	278
Nutritional Services (Track 3 of 3) UNF	51.3101	279
Oceanography	40.0607	280
Orthotics & Prosthetics (BAS)	51.2307	281
Paralegal Studies (BAS) (Track 2 of 2)	22.0302	282
Parks & Recreation Management (Track 1 of 6) - Instruction FIU	31.0301	283
Parks & Recreation Management (Track 2 of 6) - Recreation, Tourism & Events	31.0301	284
Parks & Recreation Management (Track 3 of 6) - Recreation and Tourism UF	31.0301	285
Parks & Recreation Management (Track 4 of 6) - Natural Resource Recreation Management UF	31.0301	286
Parks & Recreation Management (Track 5 of 6) - Hospitality, Rec, & Resort Mgt UWF	31.0301	287
Parks & Recreation Management (Track 6 of 6) FIU	31.0301	288
Pharmaceutical Science	51.2099	289
Pharmacy (Pharm D) FAMU, UF	51.2001	290
Philosophy	38.0101	291
Philosophy and Religion	38.9999	292
Photography	50.0605	293
Photonics Science and Engineering	14.1003	294
Physical Education Teacher Education (Track 1 of 2)	13.1314	295
Physical Science (Track 1 of 2) - Physical Science	40.0899	296
Physical Science (Track 2 of 2) - FSU-Teach	40.0899	297
Physics (Track 1 of 3)	40.0801	298
Physics (Track 2 of 3) - Physics Teacher Education FIU	40.0801	299
Physics (Track 3 of 3)	40.0801	300
Plant Sciences	01.1101	301
Political Science & Government	45.1001	302
Portuguese	16.0904	303
Pre-Elementary/Early Childhood Teacher Education - Age 3 through Grade 3	13.1210	304
Professional & Technical Communication USF	23.1303	305
Professional Communication/Integrated PR and Advertising (FSU/USF, respectively)	09.0900	306
Project Management (BAS)	52.0202	307
Psychobiology/ Behavioral Neuroscience	42.2706	308
Psychology, General	42.0101	309
Public Health (BS)	51.2201	310

Program Name	CIP Number	Page
Public Policy and Administration	44.0401	311
Public Relations & Organizational Communication	09.0902	312
Public Safety Management (BAS) FSCJ, FSWSC, MDC or Public Safety Administration (BAS) SPC or Public Safety/Homeland Security SCFMS	43.9999	313
Public Safety and Security	43.0107	314
Radio & TV Broadcasting	09.0701	315
Radiography	51.0911	316
Radiologic and Imaging Science	51.0907	317
Real Estate	52.1501	318
Religious Studies	38.0201	319
Resort & Hospitality Management	52.0906	320
Restaurant and Food Service Management	52.0905	321
Rhetorical Speech & Communication	23.1304	322
Russian	16.0402	323
Russian & East European Studies	05.0105	324
Science Teacher Education (Track 1 of 5) - Biology Teacher Education FAU, USF	13.1316	325
Science Teacher Education (Track 2 of 5) - Chemistry Teacher Education FAU, USF	13.1316	326
Science Teacher Education (Track 3 of 5) - Earth/Space Teacher Education DSC, MDC	13.1316	327
Science Teacher Education (Track 4 of 5) - Physics Teacher Education FAU, USF	13.1316	328
Science Teacher Education (Track 5 of 5) - Middle Grades Science Teacher Education BC, CC, FSWSC, IRSC, NWFSC, SPC	13.1316	329
Science Teacher Education - Biology Teacher Education BC, CC, DSC, FSWSC, IRSC, MDC, SPC	13.1322	330
Science Teacher Education - Chemistry Teacher Education DSC, MDC	13.1323	331
Science Teacher Education - Physics Teacher Education DSC, MDC	13.1329	332
Secondary Teacher Education (Track 1 of 6) - English	13.1205	333
Secondary Teacher Education (Track 2 of 6) - Social Sciences	13.1205	334
Secondary Teacher Education (Track 3 of 6) - Mathematics (UCF)	13.1205	335
Secondary Teacher Education (Track 4 of 6) - Biology (UCF)	13.1205	336
Secondary Teacher Education (Track 5 of 6) - Chemistry (UCF)	13.1205	337
Secondary Teacher Education (Track 6 of 6) - Physics (UCF)	13.1205	338
Senior Living Management	51.0718	339
Sign Language (Track 1 of 2)	16.1603	340
Sign Language (Track 2 of 2)	16.1603	341
Social Psychology	42.2707	342
Social Sciences Teacher Education (History, Social Science, Economics, and Political Science)	13.1317	343
Social Sciences, General	45.0101	344
Social Work, General FAMU, FAU, FGCU, FIU, FSU, UCF, UNF, USF, UWF	44.0701	345
Sociology (Track 1 of 2) - Anthropology	45.1101	346
Sociology (Track 2 of 2)	45.1101	347
Soils Science	01.1201	348
Spanish	16.0905	349
Special Education, General	13.1001	350
Speech Communication and Rhetoric FAU, FGCU, FIU, UCF, USF	09.0101	351
Speech Pathology & Audiology	51.0201	352
Speech Pathology & Audiology (Track 1 of 3)	51.0204	353
Speech Pathology & Audiology (Track 2 of 3) - Interpreter Training	51.0204	354
Speech Pathology & Audiology (Track 3 of 3) - Deaf Studies Concentration	51.0204	355

Program Name	CIP Number	Page
Sport Management	31.0504	356
Statistics	27.0501	357
Studio/Fine Art (Track 1 of 2)	50.0702	358
Studio/Fine Art (Track 2 of 2) - Graphic Design	50.0702	359
Supervision and Management (BAS), Organizational Management (BAS), Business and Organizational Management (BAS), Administration and Supervision (BAS), Supervision and Organizational Management (BAS), or Management and Organizational Leadership (BAS)	52.0299	360
Supply Chain Management (BAS) (Track 2 of 3) MDC	52.0203	361
Supply Chain Management (BAS), Logistics (BAS), Industrial Logistics (BAS) (Track 1 of 3) BC, FGC, FSCJ	52.0203	362
Supply Chain Management (Track 3 of 3) - Logistics FAMU, UNF, and UWF	52.0203	363
Surveying	15.1102	364
Sustainability Management (BAS)	03.0299	365
Sustainability and Built Environment	30.3301	366
Teacher Education, Multiple Levels (Track 1 of 3)	13.1206	367
Teacher Education, Multiple Levels - Art (Track 2 of 3)	13.1206	368
Teacher Education, Multiple Levels - World Language Education (Track 3 of 3) UCF	13.1206	369
Technology Management (BAS)	11.1099	370
Textiles & Clothing - Retail Merchandising and Product Development FSU	19.0901	371
Tourism and Travel Services Management	52.0907	372
Trade & Industrial Teacher Education (Vocational)	13.1320	373
Transportation Management	52.0209	374
Urban & Regional Planning	04.0301	375
Urban Design	04.0401	376
Veterinary Technology (BAS)	51.0808	377
Vocational Rehabilitation Counseling	51.2310	378
Water Resources Management (BAS) (Track 2 of 2) FGC	03.0205	379
Womens Studies	05.0207	380
Zoology	26.0701	381

II.B. Index of Common Prerequisites - CIP Code Order

Program Name	CIP Number	Page
Agriculture Science	01.0000	12
Agricultural Business/Operations	01.0102	9
Agricultural (Food & Resource) Economics	01.0103	8
Landscape and Nursery Horticulture	01.0603	234
Animal Science (Track 1 of 2) - Animal Biology	01.0901	14
Animal Science (Track 2 of 2) - Animal Industry	01.0901	15
Food Science & Technology (Track 1 of 2) - Food Science UF	01.1001	156
Food Science & Technology (Track 2 of 2) - Nutritional Sciences UF	01.1001	157
Plant Sciences	01.1101	301
Horticulture Science	01.1103	194
Soils Science	01.1201	348
Environment & Society	03.0101	139
Environmental Studies	03.0103	145
Environmental Science (Track 1 of 3) FSU, UF, USF, UWF	03.0104	141
Environmental Science (Track 2 of 3) FAMU, UWF	03.0104	142
Environmental Science (Track 3 of 3) UWF-Teach	03.0104	143
Environmental Science BC	03.0199	144
Marine Science (Track 1 of 2)	03.0205	244
Water Resources Management (BAS) (Track 2 of 2) FGC	03.0205	379
Sustainability Management (BAS)	03.0299	365
Forest Resources & Conservation (Track 1 of 2) - Wildlife Ecology & Conservation	03.0501	160
Forest Resources & Conservation (Track 2 of 2) - Forest Resources and Conservation	03.0501	161
Architecture	04.0201	21
Urban & Regional Planning	04.0301	375
Urban Design	04.0401	376
Landscape Architecture	04.0601	233
American Studies (USA)	05.0102	13
Asian Studies	05.0103	25
Russian & East European Studies	05.0105	324
Latin American Studies UCF	05.0107	237
Middle Eastern Studies	05.0108	261
French and Francophone Studies	05.0124	163
Latin American Studies FSU	05.0134	236
African-American (Black) Studies	05.0201	7
Womens Studies	05.0207	380
Speech Communication and Rhetoric FAU, FGCU, FIU, UCF, USF	09.0101	351
Communication (Mass), Media Studies or Converged Communications	09.0102	73
Journalism FAMU, UCF, UF	09.0401	225
Radio & TV Broadcasting	09.0701	315
Multimedia Studies, B.A. (Track 1 of 2) - Journalism FAU, FGCU; Digital Communication FIU	09.0702	265
Multimedia Studies, B.A. (Track 2 of 2) - Film & Video Studies	09.0702	266
Professional Communication/Integrated PR and Advertising (FSU/USF, respectively)	09.0900	306

Program Name	CIP Number	Page
Public Relations & Organizational Communication	09.0902	312
Advertising	09.0903	4
Digital Media FSCJ, GCSC, IRSC	10.0304	110
Computer & Information Science (Track 1 of 4) - Computer Science FAMU, FAU, FIU, UCF, UF, UNF, USF, UWF	11.0101	79
Computer & Information Science (Track 2 of 4) - Computer Science FSU	11.0101	80
Computer & Information Science (Track 3 of 4) - Information Systems FAMU, UF, UWF	11.0101	81
Computer & Information Science (Track 4 of 4) - BA in Computer Science FSU	11.0101	82
Information Technology (Track 1 of 5) DSC, UCF, USF	11.0103	208
Information Technology (Track 2 of 5) BC (BAS), FAMU, FIU, FSU, USF, UWF	11.0103	209
Information Technology (Track 3 of 5) - Bioinformation Track UWF	11.0103	210
Information Technology (Track 4 of 5) - Information Systems Technology IRSC, MDC, SFC (BAS), SSCF, VC	11.0103	211
Information Technology (Track 5 of 5) UNF	11.0103	212
Information Technology	11.0104	207
Computer and Information Sciences	11.0401	91
Information Sciences and Studies - Computer Information Systems EFSC (BAS)	11.0401	206
Computer Science	11.0701	88
Advanced Technology - Big Data	11.0802	3
Computer Software and Media Applications - Cyber Gaming POLY	11.0899	90
Computer Networking (BAS) FSCJ	11.0901	87
Cybersecurity (Track 1 of 3)	11.1003	99
Cybersecurity (Track 2 of 3)	11.1003	100
Cybersecurity (Track 3 of 3)	11.1003	101
Technology Management (BAS)	11.1099	370
Education, General - Child Development (Track 2 of 2)	13.0101	118
Education, General FAU, UF (Track 1 of 2)	13.0101	119
Education Instructional Technology	13.0501	116
Special Education, General	13.1001	350
Deaf Education	13.1003	104
Education of Blind & Visually Handicapped	13.1009	117
Elementary Teacher Education	13.1202	124
Jr. High/Middle School Teacher Education (Track 1 of 7) - Middle Grade Math/Middle Grade Science Education	13.1203	226
Jr. High/Middle School Teacher Education (Track 2 of 7) - Middle Grade English/Middle Grade Social Science Education	13.1203	227
Jr. High/Middle School Teacher Education (Track 3 of 7) - Middle Grade Math/Middle Grade English Education	13.1203	228
Jr. High/Middle School Teacher Education (Track 4 of 7) - Middle Grade Math/Middle Grade Social Science Education	13.1203	229
Jr. High/Middle School Teacher Education (Track 5 of 7) - Middle Grade Science/Middle Grade English Education	13.1203	230
Jr. High/Middle School Teacher Education (Track 6 of 7) - Middle Grade Science/Middle Grade Social Science Education	13.1203	231
Jr. High/Middle School Teacher Education (Track 7 of 7) - Middle Grade English/Middle Grade Special Education UWF	13.1203	232
Secondary Teacher Education (Track 1 of 6) - English	13.1205	333
Secondary Teacher Education (Track 2 of 6) - Social Sciences	13.1205	334
Secondary Teacher Education (Track 3 of 6) - Mathematics (UCF)	13.1205	335
Secondary Teacher Education (Track 4 of 6) - Biology (UCF)	13.1205	336
Secondary Teacher Education (Track 5 of 6) - Chemistry (UCF)	13.1205	337

Program Name	CIP Number	Page
Secondary Teacher Education (Track 6 of 6) - Physics (UCF)	13.1205	338
Teacher Education, Multiple Levels (Track 1 of 3)	13.1206	367
Teacher Education, Multiple Levels - Art (Track 2 of 3)	13.1206	368
Teacher Education, Multiple Levels - World Language Education (Track 3 of 3) UCF	13.1206	369
Pre-Elementary/Early Childhood Teacher Education - Age 3 through Grade 3	13.1210	304
Agricultural Teacher Education (Vocational)	13.1301	11
Art Teacher Education	13.1302	23
English Teacher Education	13.1305	135
Family & Consumer Sciences Education	13.1308	150
Mathematics Teacher Education (Track 1 of 2) - Secondary Mathematics Education	13.1311	249
Mathematics Teacher Education (Track 2 of 2) - Jr. High/Middle School Mathematics Education BC, CC, FSWSC, IRSC, NWFSC, SPC	13.1311	250
Music Teacher Education	13.1312	270
Exercise Science (Track 2 of 2) USF, UCF	13.1314	149
Physical Education Teacher Education (Track 1 of 2)	13.1314	295
Science Teacher Education (Track 1 of 5) - Biology Teacher Education FAU, USF	13.1316	325
Science Teacher Education (Track 2 of 5) - Chemistry Teacher Education FAU, USF	13.1316	326
Science Teacher Education (Track 3 of 5) - Earth/Space Teacher Education DSC, MDC	13.1316	327
Science Teacher Education (Track 4 of 5) - Physics Teacher Education FAU, USF	13.1316	328
Science Teacher Education (Track 5 of 5) - Middle Grades Science Teacher Education BC, CC, FSWSC, IRSC, NWFSC, SPC	13.1316	329
Social Sciences Teacher Education (History, Social Science, Economics, and Political Science)	13.1317	343
Trade & Industrial Teacher Education (Vocational)	13.1320	373
Science Teacher Education - Biology Teacher Education BC, CC, DSC, FSWSC, IRSC, MDC, SPC	13.1322	330
Science Teacher Education - Chemistry Teacher Education DSC, MDC	13.1323	331
Science Teacher Education - Physics Teacher Education DSC, MDC	13.1329	332
Educational Studies SPC	13.9999	120
Interdisciplinary Engineering	14.0101	214
Aerospace Engineering	14.0201	5
Agricultural Engineering FAMU	14.0301	10
Biomedical/Bioengineering	14.0501	52
Chemical Engineering	14.0701	61
Civil Engineering	14.0801	67
Construction Engineering UCF	14.0803	92
Computer Engineering (Track 1 of 3) - Computer Engineering	14.0901	84
Computer Engineering (Track 2 of 3) - Computer & Information Engineering	14.0901	85
Computer Engineering (Track 3 of 3) - Digital Logic Design, Embedded System Design, and Machine Intelligence	14.0901	86
Computer Software Engineering	14.0903	89
Electrical, Electronics Engineering (Track 1 of 2)	14.1001	121
Electrical, Electronics Engineering (Track 2 of 2) - Control Systems, Digital and Hybrid Systems, Electrodynamics, Magnetics, and Semiconductors	14.1001	122
Photonics Science and Engineering	14.1003	294
Engineering Physics	14.1201	128
Environmental/Environmental Health Engineering	14.1401	146
Materials Engineering	14.1801	248

Program Name	CIP Number	Page
Mechanical Engineering (Track 1 of 2)	14.1901	256
Mechanical Engineering (Track 2 of 2) - Nanotechnology	14.1901	257
Nuclear Engineering	14.2301	276
Coastal & Ocean Engineering	14.2401	71
Industrial & Systems Engineering	14.2701	203
Industrial/Manufacturing Engineering	14.3501	204
Geomatics Engineering	14.3801	168
Biological/Biosystems Engineering	14.4501	46
Engineering Technology, General (Track 1 of 3) - Electrical Track UWF	15.0000	131
Engineering Technology, General (Track 2 of 3) - Construction Track UWF	15.0000	132
Engineering Technology, General (Track 3 of 3) - Instructional UWF	15.0000	133
Architectural Engineering Technology	15.0101	20
Electronic Engineering Technology	15.0303	123
Energy Technology Management (BAS)	15.0503	126
Construction/Building Technology (Track 1 of 3) FIU, UF, FGCU	15.1001	93
Construction/Building Technology (Track 2 of 3) FAMU, SSCF	15.1001	94
Construction/Building Technology (Track 3 of 3) UNF	15.1001	95
Surveying	15.1102	364
Information Engineering Technology	15.1202	205
Engineering Technology (Track 1 of 2)	15.9999	129
Engineering Technology (Track 2 of 2)	15.9999	130
Foreign Language, Multiple	16.0101	158
Linguistics	16.0102	241
East Asian Languages	16.0399	113
Russian	16.0402	323
German Language and Literature	16.0501	173
French	16.0901	162
Italian	16.0902	222
Portuguese	16.0904	303
Spanish	16.0905	349
Hispanic & Latin American Languages, Literature & Linguistics	16.0908	190
Classics	16.1200	68
Greek	16.1202	176
Latin	16.1203	235
Sign Language (Track 1 of 2)	16.1603	340
Sign Language (Track 2 of 2)	16.1603	341
Family and Children Sciences FSU	19.0701	151
Human Resource Development	19.0707	199
Textiles & Clothing - Retail Merchandising and Product Development FSU	19.0901	371
Legal Studies, General (UCF)	22.0000	239
Legal Assisting (Track 1 of 2)	22.0302	238
Paralegal Studies (BAS) (Track 2 of 2)	22.0302	282
English Language and Literature	23.0101	134
Professional & Technical Communication USF	23.1303	305
Rhetorical Speech & Communication	23.1304	322
Liberal Arts & Sciences FAU, FIU, UNF, USF	24.0101	240
Applied Science	24.0102	19
Humanities	24.0103	202
General Studies	24.0106	164
Honors College (Track 1 of 2) NCF	24.0199	192

Program Name	CIP Number	Page
Honors College (Track 2 of 2) FAU	24.0199	193
Biology, General (Track 1 of 4)	26.0101	47
Biology, General (Track 2 of 4) FSU-Teach	26.0101	48
Biology, General (Track 3 of 4) UWF-Teach	26.0101	49
Biology, General (Track 4 of 4)	26.0101	50
Biomedical Sciences	26.0102	51
Biochemistry	26.0202	29
Botany, General	26.0301	54
Microbiology/Bacteriology	26.0503	260
Zoology	26.0701	381
Entomology	26.0702	137
Applied Physiology and Kinesiology (Track 1 of 2)	26.0908	17
Applied Physiology and Kinesiology (Track 2 of 2) - Fitness and Wellness	26.0908	18
Computational Biology	26.1104	77
Biotechnology	26.1201	53
Marine/Aquatic Biology	26.1302	245
Neuroscience	26.2501	274
Mathematics, General (Track 1 of 4) - Mathematics, General FAMU, FAU, FIU, FSU, UCF, UF, UNF, USF, UWF	27.0101	251
Mathematics, General (Track 2 of 4) - UWF-Teach	27.0101	252
Mathematics, General (Track 3 of 4) - FSU-Teach	27.0101	253
Mathematics, General (Track 4 of 4) - Mathematics Teacher Education FIU	27.0101	254
Engineering Math	27.0301	127
Mathematics: Computational and Applied	27.0304	255
Statistics	27.0501	357
Multi-/Interdisciplinary	30.0000	264
Biological & Physical Sciences Interdisciplinary Studies (Track 1 of 16) - Biology and Chemistry UWF	30.0101	30
Biological & Physical Sciences Interdisciplinary Studies (Track 2 of 16) - Biology and Computer Science UWF	30.0101	31
Biological & Physical Sciences Interdisciplinary Studies (Track 3 of 16) - Biology and Earth Science UWF	30.0101	32
Biological & Physical Sciences Interdisciplinary Studies (Track 4 of 16) - Biology and Mathematics UWF	30.0101	33
Biological & Physical Sciences Interdisciplinary Studies (Track 5 of 16) - Biology and Physics UWF	30.0101	34
Biological & Physical Sciences Interdisciplinary Studies (Track 6 of 16) - Chemistry and Computer Science UWF	30.0101	35
Biological & Physical Sciences Interdisciplinary Studies (Track 7 of 16) - Chemistry and Earth Science UWF	30.0101	36
Biological & Physical Sciences Interdisciplinary Studies (Track 8 of 16) - Chemistry and Mathematics UWF	30.0101	37
Biological & Physical Sciences Interdisciplinary Studies (Track 9 of 16) - Chemistry and Physics UWF	30.0101	38
Biological & Physical Sciences Interdisciplinary Studies (Track 10 of 16) - Computer Science and Earth Science UWF	30.0101	39
Biological & Physical Sciences Interdisciplinary Studies (Track 11 of 16) - Computer Science and Mathematics UWF	30.0101	40
Biological & Physical Sciences Interdisciplinary Studies (Track 12 of 16) - Computer Science and Physics UWF	30.0101	41
Biological & Physical Sciences Interdisciplinary Studies (Track 13 of 16) - Earth Science and Mathematics UWF	30.0101	42
Biological & Physical Sciences Interdisciplinary Studies (Track 14 of 16) - Earth	30.0101	43

Program Name	CIP Number	Page
Science and Physics UWF		
Biological & Physical Sciences Interdisciplinary Studies (Track 15 of 16) - Mathematics and Physics UWF	30.0101	44
Biological & Physical Sciences Interdisciplinary Studies (Track 16 of 16) - Interdisciplinary Natural Sciences FIU, USF, NCF	30.0101	45
Gerontology	30.1101	174
International/Global Studies	30.2001	221
Computational Science	30.3001	78
Sustainability and Built Environment	30.3301	366
Interdisciplinary Studies UF	30.9999	215
Parks & Recreation Management (Track 1 of 6) - Instruction FIU	31.0301	283
Parks & Recreation Management (Track 2 of 6) - Recreation, Tourism & Events	31.0301	284
Parks & Recreation Management (Track 3 of 6) - Recreation and Tourism UF	31.0301	285
Parks & Recreation Management (Track 4 of 6) - Natural Resource Recreation Management UF	31.0301	286
Parks & Recreation Management (Track 5 of 6) - Hospitality, Rec, & Resort Mgt UWF	31.0301	287
Parks & Recreation Management (Track 6 of 6) FIU	31.0301	288
Health and Physical Education, General (Track 1 of 3) - Physical Education	31.0501	187
Health and Physical Education, General (Track 2 of 3) - Exercise Science	31.0501	188
Health and Physical Education, General (Track 3 of 3) - Health, Leisure, and Fitness Studies	31.0501	189
Sport Management	31.0504	356
Exercise Science (Track 1 or 2) UNF, FAU	31.0505	147
Exercise Science (Track 2 of 2) FGCU	31.0505	148
Philosophy	38.0101	291
Religious Studies	38.0201	319
Jewish Studies	38.0206	224
Philosophy and Religion	38.9999	292
Astronomy	40.0201	26
Geosciences - FSU-Teach	40.0401	171
Meteorology	40.0401	259
Chemistry (Track 1 of 3)	40.0501	64
Chemistry (Track 2 of 3) - Chemistry Teacher Education FIU	40.0501	65
Chemistry (Track 3 of 3) UWF-Teach	40.0501	66
Environmental Chemistry	40.0509	140
Chemical Sciences (Track 1 of 2)	40.0599	62
Chemical Sciences (Track 2 of 2) - FSU-Teach	40.0599	63
Geology (Track 1 of 2)	40.0601	166
Geology (Track 2 of 2) - Earth Science Teacher Education FIU	40.0601	167
Oceanography	40.0607	280
Geoscience -Environmental (Track 2 of 3)	40.0699	169
Geosciences (Track 1 of 3)	40.0699	170
Geosciences - Geography (Track 3 of 3)	40.0699	172
Physics (Track 1 of 3)	40.0801	298
Physics (Track 2 of 3) - Physics Teacher Education FIU	40.0801	299
Physics (Track 3 of 3)	40.0801	300
Physical Science (Track 1 of 2) - Physical Science	40.0899	296
Physical Science (Track 2 of 2) - FSU-Teach	40.0899	297
Psychology, General	42.0101	309
Psychobiology/ Behavioral Neuroscience	42.2706	308

Program Name	CIP Number	Page
Social Psychology	42.2707	342
Criminal Justice Studies	43.0104	97
Forensic Science	43.0106	159
Public Safety and Security	43.0107	314
Criminal Forensic Studies	43.0111	96
Computer Criminology FSU	43.0116	83
Fire and Emergency Services	43.0203	155
Emergency Management	43.0302	125
Public Safety Management (BAS) FSCJ, FSWSC, MDC or Public Safety Administration (BAS) SPC or Public Safety/Homeland Security SCFMS	43.9999	313
Behavioral Healthcare	44.0000	28
Human Services	44.0000	201
Public Policy and Administration	44.0401	311
Social Work, General FAMU, FAU, FGCU, FIU, FSU, UCF, UNF, USF, UWF	44.0701	345
Social Sciences, General	45.0101	344
Anthropology	45.0201	16
Criminology	45.0401	98
Economics (Track 1 of 2) - Social Sciences FAMU, FAU, FIU, FSU, UCF, UF, UNF, USF, UWF	45.0601	114
Economics (Track 2 of 2) - Business FAMU, FAU, FGCU, UF, UNF, USF	45.0601	115
Geography	45.0701	165
International Relations	45.0901	220
Political Science & Government	45.1001	302
Sociology (Track 1 of 2) - Anthropology	45.1101	346
Sociology (Track 2 of 2)	45.1101	347
Maritime Studies	45.9999	246
Aerospace Sciences	49.0101	6
Digital Arts/Digital Media (Track 1 of 2) - UF, FGCU, FIU	50.0102	108
Digital Arts/Digital Media (Track 2 of 2) - Digital Interactive Systems/Visual Language UCF	50.0102	109
Dance (Track 1 of 2) - Dance - B.A. USF	50.0301	102
Dance (Track 2 of 2) - Dance - B.F.A. FSU, UF, USF	50.0301	103
Interior Design (Track 1 of 3) FSU	50.0408	216
Interior Design (Track 2 of 3) UF	50.0408	217
Interior Design (Track 3 of 3) SSCF	50.0408	218
Graphic Design	50.0409	175
Drama Education (Track 1 of 2)	50.0501	111
Dramatic Arts/Theatre (Track 2 of 2)	50.0501	112
Motion Picture & Television Technology (Track 2 of 2) UCF	50.0602	262
Motion Picture & Television Technology, Multimedia and Video Production Technology (BAS) (Track 1 of 2) FSU, MDC, SFC (BAS)	50.0602	263
Photography	50.0605	293
Art, General FAU, FGCU, FIU, UCF, UNF, USF, UWF	50.0701	24
Studio/Fine Art (Track 1 of 2)	50.0702	358
Studio/Fine Art (Track 2 of 2) - Graphic Design	50.0702	359
Art History & Appreciation	50.0703	22
Music, General (Track 1 of 2)	50.0901	272
Music, General - FIU Teach - Music Education (Track 2 of 2)	50.0901	273
Music Performance	50.0903	268
Music Composition	50.0904	267
Jazz Studies	50.0910	223

Program Name	CIP Number	Page
Entertainment Management	50.1001	136
Commercial Music	50.1003	72
Music Studies	50.9999	269
Health Science (Track 1 of 7) FAU, UF, USF, UWF	51.0000	178
Health Science (Track 2 of 7)	51.0000	179
Health Science (Track 3 of 7)	51.0000	180
Health Science (Track 4 of 7)	51.0000	181
Health Science (Track 5 of 7)	51.0000	182
Health Science (Track 6 of 7)	51.0000	183
Health Science (Track 7 of 7)	51.0000	184
Speech Pathology & Audiology	51.0201	352
Speech Pathology & Audiology (Track 1 of 3)	51.0204	353
Speech Pathology & Audiology (Track 2 of 3) - Interpreter Training	51.0204	354
Speech Pathology & Audiology (Track 3 of 3) - Deaf Studies Concentration	51.0204	355
Dental Hygiene (BAS)	51.0602	105
Health Services Administration FAMU, FAU, FGCU, FIU, IRSC, SCFMS, SFC, UCF, UNF, USF	51.0701	186
Health Information Management	51.0706	177
Senior Living Management	51.0718	339
Veterinary Technology (BAS)	51.0808	377
Radiologic and Imaging Science	51.0907	317
Cardiopulmonary Science	51.0908	60
Radiography	51.0911	316
Athletic Training FSU, UWF	51.0913	27
Clinical Laboratory Sciences	51.1005	69
Medical Technology/Clinical Laboratory Sciences	51.1005	258
Community Health Liaison	51.1504	76
Pharmacy (Pharm D) FAMU, UF	51.2001	290
Pharmaceutical Science	51.2099	289
Public Health (BS)	51.2201	310
Community Health	51.2208	74
Community Health - Community Health Promotion	51.2208	75
Health Services Administration (BAS), Applied Health Sciences (BAS) EFSC, SPC	51.2211	185
Music Therapy	51.2305	271
Orthotics & Prosthetics (BAS)	51.2307	281
Vocational Rehabilitation Counseling	51.2310	378
Dietetics/Nutritional Services (Track 1 of 3) FIU, FSU	51.3101	106
Dietetics/Nutritional Services (Track 2 of 3) - Dietetics UF	51.3101	107
Nutritional Services (Track 3 of 3) UNF	51.3101	279
Clinical Nutrition/Nutritionist (FSU)	51.3102	70
Nursing (Track 1 of 2) FAMU, FAU, FGCU, FIU, FSU, UCF, UF, UNF, USF, UWF	51.3801	277
Nursing (Track 2 of 2) - A.S. to B.S. BC, CC, CCF, DSC, EFSC, FAMU, FAU, FGC, FGCU, FIU, FKCC, FSCJ, FSU, FSWSC, GCSC, IRSC, MDC, NWFSC, PESCS, PBSC, PHSC, PSC, SCFMS, SFC, SFSC, SJRSC, SPC, SSCF, TCC, VC	51.3801	278
Business, General (Track 1 of 2)	52.0101	58
Business, General (Track 2 of 2) - (B.A. in Business Administration)	52.0101	59
Business Administration & Management	52.0201	55
Project Management (BAS)	52.0202	307
Supply Chain Management (BAS) (Track 2 of 3) MDC	52.0203	361
Supply Chain Management (BAS), Logistics (BAS), Industrial Logistics (BAS) (Track 1 of 3) BC, FGC, FSCJ	52.0203	362

Program Name	CIP Number	Page
Supply Chain Management (Track 3 of 3) - Logistics FAMU, UNF, and UWF	52.0203	363
Nonprofit Management	52.0206	275
Transportation Management	52.0209	374
Supervision and Management (BAS), Organizational Management (BAS), Business and Organizational Management (BAS), Administration and Supervision (BAS), Supervision and Organizational Management (BAS), or Management and Organizational Leadership (BAS)	52.0299	360
Accounting FAMU, FAU, FGCU, FIU, FSU, IRSC, UCF, UF, UNF, USF, UWF	52.0301	1
Business Managerial Economics	52.0601	56
Entrepreneurship	52.0701	138
Finance, General (BS) FAU, FGCU, FIU, FSU, UCF, UF, UNF, USF, UWF	52.0801	152
Financial Services	52.0803	153
Financial Services	52.0804	154
Hospitality Administration/Management (Track 1 of 4) FIU, UCF, FSU	52.0901	195
Hospitality Administration/Management (Track 2 of 4) FAU, FGCU, FSU & UWF	52.0901	196
Hospitality Administration/Management (Track 3 of 4) USF	52.0901	197
Hospitality Administration/Management (Track 4 of 4)	52.0901	198
Restaurant and Food Service Management	52.0905	321
Resort & Hospitality Management	52.0906	320
Tourism and Travel Services Management	52.0907	372
Human Resource Management	52.1001	200
International Business Management FAU, FIU, FSU, SCFMS (BAS), SPC (BAS), USF	52.1101	219
Management Information Systems - Business/Data Processing/Business Information Management FAU, FGCU, FIU, FSU, SSCF, USF, UWF	52.1201	242
Management Science/Business Analytics	52.1301	243
Actuarial Science	52.1304	2
Business Marketing Management	52.1401	57
Marketing, Other - Advertising	52.1499	247
Real Estate	52.1501	318
Insurance / Risk Management	52.1701	213
History	54.0101	191

CIP Number	Discipline Area
01	Agriculture, Agriculture Operations, and Related Sciences
03	Natural Resources and Conservation
04	Architecture and Related Services
05	Area, Ethnic, Cultural, and Gender Studies
09	Communication, Journalism, and Related Studies
11	Computer and Information Sciences and Support Services
13	Education
14	Engineering
15	Engineering Technologies/Technicians
16	Foreign Languages, Literatures, and Linguistics
19	Family and Consumer Sciences/Human Sciences
22	Legal Professions and Studies
23	English Language and Literature/ Letters
24	Liberal Arts and Sciences, General Studies and Humanities
26	Biological and Biomedical Sciences
27	Mathematics and Statistics
30	Multi/Interdisciplinary Studies
31	Parks, Recreation, Leisure, and Fitness Studies
38	Philosophy and Religious Studies
40	Physical Sciences
42	Psychology
43	Security and Protective Services
44	Public Administration and Social Services Professions
45	Social Sciences
50	Visual and Performing Arts
51	Health Professions and Related Clinical Sciences
52	Business, Management, Marketing, and Related Support Services
54	History

II.D. Common Prerequisites for Entry into Undergraduate Engineering Programs in the State University System of Florida

Tenets Governing the Transfer of Students from Community College to Universities

1. The attached list of 48 hours of prerequisite courses (hereafter referred to as "the 48 hours") constitute the common prerequisites for all undergraduate engineering programs in the State University System (SUS).
2. Students who complete the 48 hours of common prerequisites will be admitted to any engineering program in the SUS, provided they meet applicable limited access criteria (e.g. GPA, not additional courses) or minimum grade requirements.
3. The 48 hours represent the number of hours students can take at a community college and be assured that they will transfer and count toward the credit hour requirement for the baccalaureate in Engineering in the SUS. If students know which SUS program they wish to transfer into, and that particular program has additional non-engineering lower level courses required for the degree, the students can elect to remain at the community college and take those courses. The courses will be accepted in transfer.
4. If a student had to take additional mathematics courses prior to becoming eligible for the initial calculus course listed in the 48 hours, those courses will count toward the A.A. Degree, but will be over and above the prescribed number of hours for the bachelor's in engineering. Similarly, if a student takes foreign language courses at the community college to meet the SUS admissions requirement, those hours will count toward the A.A. but will be outside of the hours for the bachelor's in engineering. If a student takes the foreign language courses (required for admission) at the university instead of the community college, excess hour surcharges may apply.
5. In light of item 4 above, students are expected to routinely receive their A.A. degree prior to transferring to a state university. If students transfer prior to receiving the A.A. (i.e., less than 60 hours), a transcript of the courses they take at the senior institution, comprising the additional hours they need to meet the 60 hour requirement, will be transferred to the community college so that an A.A. degree is awarded by the community college to the student, provided the student has met all other requirements at the community college. If students complete their 36 hours of general education at the community college (as expected) and transfer prior to receiving the A.A., their general education units will be protected by the provisions of the articulation agreement.
6. Consistent with State Board of Education Rules, if a community college student takes a non-engineering course whose prefix and last three digits are identical to the prefix and last three digits of a course required in an SUS engineering program, that course will substitute for the SUS course.
7. Individual SUS universities may enter into articulation agreements with individual community colleges for required engineering courses that students may take beyond the 48 hours. No SUS institution may enter into local agreements that do not include all of the courses listed in the 48 hours. Such agreements may include the option of community college students dual enrolling or cross enrolling in upper division courses not available at the community college.

Community College Prerequisites for Entry into Engineering Programs in the State of Florida University System

Program of Study at the Community College

The following common engineering articulation courses should be completed at the community college (if available) as part of the Community College's General Education Program.

Communications:

ENC X101	English I	3 hours
ENC X102	English II	3 hours

Mathematics:

MAC X311*	Calculus I with Analytical Geometry	4 hours
MAC X312*	Calculus II with Analytical Geometry	4 hours
MAC X313*	Calculus III with Analytical Geometry	4 hours
MAP X302	Differential Equations	3 hours
(* or MAC X281, MAC X282, MACX283)		

Natural Sciences:

CHM X045**	General Chemistry I	3 hours
CHM X045L**	General Chemistry I laboratory	1 hour
PHY X048	Physics I	3 hours
PHY X048L	Physics I Laboratory	1 hour
PHY X049	Physics II	3 hours
PHY X049L	Physics II Laboratory	1 hour
(** or CHS X440 Chemistry for Engineers)		

Humanities & Social Sciences:

Humanities Courses	6 hours
Social Science Courses	6 hours
Humanities or Social Sciences	3 hours

All engineering programs at Florida public universities will accept and credit all 48 hours toward a bachelor of engineering degree for students who successfully complete the above listed prerequisites. Students are expected to routinely receive their A.A. degree prior to transferring to a state university. If students transfer prior to receiving the A.A. (i.e., less than 60 hours), the courses they take at the senior institution, comprising the additional hours they need to meet the 60 hour requirement, can be transferred to the community college so that an A.A. degree is awarded by the community college to the student and their general education requirements are protected.

Students should contact the specific engineering program office at the university of their choice for any additional information they need. In particular, guidance should be obtained in regard to course equivalencies or substitutions, additional courses from the community college which will transfer to the engineering program, and admittance to the engineering program.

II.E. TEACHER EDUCATION INFORMATION

[State Board of Education Rule 6A-5.066](#) that sets the requirements and approval process for state-approved educator preparation programs has been revised by the State Board. The revisions provide greater curriculum flexibility for teacher education programs to offer students innovative program structures and expanded alternatives to prepare greater numbers of teachers for Florida schools. In light of this rule revision, students who are planning to pursue an Education degree at the baccalaureate level are encouraged to seek assistance from an academic advisor to plan their program of study.

Associated CIP Codes For State-Approved Initial Teacher Education Programs

Candidates who complete a State Department of Education-approved teacher education program shall be eligible for the appropriate teaching certificate of the type and coverage for which the program has been approved provided they meet other requirements for teacher certification as specified in statutes or rules. Advisors are provided the following guidance for advising students concerning state-approved initial teacher education programs:

1. When a student enters one of the listed programs at a given university, that **student must work with a faculty advisor** to ensure that the courses chosen from general education options and the prerequisite menus cover all State-mandated teacher preparation competencies.
2. There are state-approved initial teacher education programs that are baccalaureate, integrated postbaccalaureate, integrated master's, master's programs, and specialist's programs. **Students within the baccalaureate programs must fulfill common prerequisites. Integrated postbaccalaureate and master's programs have the same prerequisites as baccalaureates.** Students in master's programs that receive their bachelor's degrees in the disciplines are strongly encouraged to take the education prerequisites.
3. When a student inquires about state-approved initial teacher education programs and appropriate corresponding prerequisites, the advisor should:
 - a. Check the chart below for the program and corresponding CIP for where the common prerequisites are listed for that program;
 - b. Check the Common Prerequisite Manual under the corresponding CIP for a listing of common prerequisites and institutions;
 - c. Verify the institutions' state-approval through accessing the following web link: <http://www.fldoe.org/profdev/teachprep/teachprep.asp>

CIP Code	DOE Code	Program	Level
13.1302	114	Art	K-12
13.1312	202	Music	K-12
13.1320	235	Local Dir Voc'l Ed	
13.1210	282	Preschool Education	N-PK
13.1305	286	English	6-12
13.1311	287	Mathematics	6-12
13.1316/13.1322	288	Biology	6-12
13.1316/13.1323	289	Chemistry	6-12
50.0501	290	Drama	6-12
13.1316/13.1329	291	Physics	6-12
13.1317	293	Social Science	6-12
13.1303	298	Business Education	6-12
13.1301	299	Agriculture	6-12
13.1308	301	Home Economics	6-12
13.1316	302	Earth/Space Science	6-12
13.1311	306	MG Mathematics	5-9
13.1316	307	MG General Science	5-9
13.1306	310	French	K-12
13.1306	311	Spanish	K-12
13.1306	312	German	K-12
13.1306	316	Italian	K-12
13.1306	318	Latin	K-12
13.1306	320	Russian	K-12
13.1320	323	Industrial Arts-Tech Education	6-12
13.1305	326	MG English	5-9
13.1317	327	MG Social Science	5-9
13.1001	333	Visually Impaired	K-12
13.1007	334	Health	K-12
NA	335	Endorsement: Adaptive Physical Ed	
NA	336	Endorsement: Athletic Coaching	
NA	337	Endorsement: Driver's Education	
NA	338	Endorsement:ESOL	Endor
NA	339	Endorsement:Gifted	Endor
13.1001	350	Hearing Impaired/English	K-12/6-12
13.1001	351	Hearing Impaired/Social Science	K-12/6-12
13.1395	354	Mathematics/Physics	6-12
13.1395	355	Physics/Chemistry	6-12
13.1395	356	Biology/Chemistry	6-12
13.1395	357	Physics/Earth Space Science	6-12
13.1395	358	Biology/Earth Space Science	6-12
13.1203	365	MG Math/MG General Science	5-9

CIP Code	DOE Code	Program	Level
13.1203	366	MG English/MG Social Science	5-9
13.1395	368	Mathematics/Statistics	6-12
13.1210	371	PreK-Primary Education	Age 3/Gr. 3
13.1324	372	Dance	K-12
13.1203	373	MG Math/English	5-9
13.1203	374	MG Math/Social Science	5-9
13.1203	375	MG General Science/English	5-9
13.1203	376	MG General Science/Social Science	5-9
13.1317	377	Social Science/M.G. Social Science	6-12/5-9
13.1210	379	Preschool Ed/PreK-Primary Ed/PreK Handicapped	Birth-Age 4/Age 3-Grade 3/Endor
13.1210	387	PreK-Primary Education/ESOL	Age 3-Gr. 3/Endor
13.1305	398	English/ESOL	6-12/Endor
13.1306	399	French/ESOL	K-12/Endor
13.1306	400	German/ESOL	K-12/Endor
13.1306	401	Italian/ESOL	K-12/Endor
13.1306	402	Latin/ESOL	K-12/Endor
13.1306	403	Russian/ESOL	K-12/Endor
13.1306	404	Spanish/ESOL	K-12/Endor
13.1210	406	PreK-Primary Ed/PreK Handicapped/ESOL	Age 3-Grade 3/Endor
13.1210	407	Preschool Education/ESOL	Birth-Age 4/Endor
09.0401	418	Journalism	6-12
13.1001	419	Autism	Endor
13.1202	420	Elementary Education	K-6
13.1001	421	Exceptional Student Education	K-12
13.1308	422	Family and Consumer Science	6-12
13.1203 (none approved)	423	Middle Grades Integrated Curriculum	5-9
13.1314	424	Physical Education	K-12
13.1001	425	Prekindergarten Disabilities	Endorsement
13.1001	427	Severe or Profound Disabilities	Endor
13.1001	430	Exceptional Student Education/ESOL	K-12/Endor
13.1001	432	Hearing Impaired/English/ESOL	K-12/6-12/Endor
13.1001	433	Hearing Impaired/Social Science/ESOL	K-12/6-12/Endor
13.1314	436	Physical Education	K-8/6-12
13.1316	440	Biology (MAT)	6-12

CIP Code	DOE Code	Program	Level
13.1305	441	English (MAT)	6-12
13.1311	442	Mathematics (MAT)	6-12
13.1317	443	Social Science (MAT)	6-12
13.1202	444	Elementary Education/ESOL	K-6/Endor
13.1202/13.1001	445	Elementary Ed/Hearing Impaired	K-6/K-12
13.1202/13.1001	446	Elementary Ed/Hearing Impaired/ESOL	K-6/K-12/Endor
13.1001	447	Hearing Impaired/Exceptional Student Education	K-12
13.1001	448	Hearing Impaired/Except Student Ed/ESOL	K-12/Endor
13.1202/13.1001	449	Elementary Ed/Except Student Ed/ESOL	K-6/K-12/Endor
13.1302	450	Art (MAT)	K-12
13.1202/13.1001	451	Elementary Ed/Except Student Ed.	K-6/K-12
13.1210	463	PreK-Primary/Elementary Ed/ESOL	Age 3-Gr. 3/K-6/Endor
13.1202	464	Elementary Ed/MG English/ESOL	K-6/5-9/Endor
13.1202	465	Elementary Ed/MG Gen Science/ESOL	K-6/5-9/Endor
13.1202	466	Elementary Ed/MG Math/ESOL	K-6/5-9/Endor
13.1202	467	Elementary Ed/MG Social Science/ESOL	K-6/5-9/Endor
13.1305	468	English/ESOL (MAT)	6-12/Endor
13.1306	469	Spanish/ESOL (MAT)	K-12/Endor
13.1306	470	French/ESOL (MAT)	K-12/Endor
13.1306	471	German/ESOL (MAT)	K-12/Endor
13.1306	472	Latin/ESOL (MAT)	K-12/Endor
13.1202	473	Elementary Education/ESOL - USF St. Petersburg	K-6/Endor
13.1001	474	Exceptional Student Education/Reading	K-12
13.1001	475	Exceptional Student Education/PreK Hand	K-12
13.1001	476	Exceptional Student Education/Reading/ESOL	K-12/Endor
13.1001	477	Exceptional Student Education/PreK Hand/ESOL	K-12/Endor
13.1202	478	Elementary Education/ESOL (MAT)	K-6/Endor
13.1203	479	MG English/ESOL	5-9/Endor
13.1210	480	Preschool/PreK Prim/PreK Hand Endor/ESOL Endor	Birth-Age 4/Age 3-Gr. 3/Endor
13.1306	481	Foreign Language/ESOL	K-12/Endor

CIP Code	DOE Code	Program	Level
13.1001	482	Exceptional Student Education/ESOL (MAT)	K-12/Endor
13.1311	483	MG Mathematics (MAT)	5-9
13.1316	484	Chemistry (MAT)	6-12
13.1306	485	French (MAT)	K-12
13.1316	486	Physics (MAT)	6-12
13.1306	487	Spanish (MAT)	K-12