

# Copula-Based Estimation of Causal Effects in Multiple Linear and Path Analysis Models

ALAM ALI<sup>1</sup>, ASHOK KUMAR PATHAK<sup>1\*</sup>, MOHD ARSHAD<sup>2</sup>, AND AYYUB SHEIKHI<sup>3</sup>

<sup>1</sup>Department of Mathematics and Statistics, Central University of Punjab, Bathinda, Punjab, India.

<sup>2</sup>Department of Mathematics, Indian Institute of Technology Indore, Simrol, Indore, India.

<sup>3</sup>Department of Statistics, Shahid Bahonar University of Kerman, Kerman, Iran.

**ABSTRACT.** Regression analysis is one of the most popularly used statistical technique which only measures the direct effect of independent variables on dependent variable. Path analysis looks for both direct and indirect effects of independent variables and may overcome several hurdles allied with regression models. It utilizes one or more structural regression equations in the model which are used to estimate the unknown parameters. The aim of this work is to study the path analysis models when the endogenous (dependent) variable and exogenous (independent) variables are linked through the elliptical copulas. Using well-organized numerical schemes, we investigate the performance of path models when direct and indirect effects are estimated applying classical ordinary least squares and copula-based regression approaches in different scenarios. Finally, two real data applications are also presented to demonstrate the performance of path analysis using copula approach.

**Keywords:** *Path Analysis, Copula-Based Regression Models, Path Coefficients, Direct and Indirect Effects, Cross Validation Technique.*

## 1. INTRODUCTION

Nowadays, researchers have a keen interest to analyze the hypothesized relationship among set of variables. Path analysis is an extension of multiple regression, generally used to examine the importance of causal correlations among multiple variables. It was first introduced by Write [38]. Basically, path analysis involves two components; path diagram and path coefficient which represents visual and mathematical parts of the analysis, respectively. Primarily, path diagram analyzes causal relationship that occur in multiple regression when

---

2020 *Mathematics Subject Classification.* Primary : 62H05, 62J05 ; Secondary : 62F10 .

Corresponding Author E-mail Address: ashokiitb09@gmail.com.

dependent variable is affected by independent variables directly and indirectly in both way (see Stage et al. [33]). Smith et al. [32] pointed out the ability of path analysis in a natural ecological system. Güneri et al. [14] investigated the distribution of indirect effect in path analysis. There are several applications of path analysis in field of sociology Ducan [10], psychology Werts and Linn [36], epidemiology Karlin et al. [18], and engineering Huang and Hsueh [16].

The classical regression models are used to study the dependence between one dependent and one or more than one independent variables. It only measures the direct effect of independent variables on the dependent variable. In classical approach, path analysis is performed under the assumptions of classical regression (ordinary least squares (OLS)). Classical regression has certain limitations like the distribution of endogenous variable should be normal, relationship between endogenous and exogenous variables should be linear, and there should be no high multicollinearity occur among exogenous variables, but sometimes these assumptions are violated by the nature of data and strength of significant effect of one variable to another variable is not captured by the model. For more details, one may refer to Wiedermann et al. [37]. Recently, copula-based regression models have been competent to handle the problem of non-normality and multicollinearity in classical regression Kime and Kim [19], Kolev and Paiva [22], and Krupskii et al. [23]. Therefore, the copula-based regression models and its applications have been done by researchers in various field of statistics. Sungur [34] introduced the mathematical framework of copula-based regression model by considering uniform marginals. Crane and Hook [7] derived the simple conditional expectation formulae in terms of copulas to carry out some regression analysis. Vellaisamy and Pathak [35] introduced the concept of copula-based regression models for general random variables. In recent literature, the copula-based regression models have been also studied with an inferential aspect, see Ali et al. [2], Bouezmarni et al. [4], Dette et al. [8], Kim et al. [20], Noh et al. [25]. Parsa and Klugman [27] briefly discussed the advantages of copula models over ordinary least squares and generalized linear models. In literature, elliptical family of copulas, which are derived through multivariate elliptical distributions, consists of Gaussian and Student's t copula, are played vital role in dependence modeling. Using elliptical copulas, Frahm et al. [12] studied the dependence structure induced via elliptical distributions. Regression model based on elliptical family of copulas is an useful probability model for the correlated data. Ghahroodi et al. [13] proposed a regression model using Gaussian copula to analyze the association among mixed outcomes. Pitt et al. [29] introduced a regression function using Gaussian copula and presented a

general Bayesian approach to handle multivariate dependence. Acar et al. [1] studied elliptical family of copulas for model based predictions. He et al. [15] proposed a robust feature screening procedure for elliptical copulas regression model. Furthermore, Sheikhi et al. [30] investigated a heteroscedasticity diagnostic in regression analysis when response and explanatory variables are connected through elliptical copulas.

Despite of availability of explored literature on copula-based regression models and path analysis, we observed that no one has performed the path analysis in the context of copula-based regression approach. Considering manifest (directly observed) variables, the primary aim of this article is to study the path analysis models when the endogenous (dependent) variable and exogenous (independent) variables are linked through the elliptical copulas and to investigate the efficacy of path models when direct and indirect effects are estimated using classical ordinary least squares and copula-based regression approaches in different scenarios. In this context, Braeken et al. [5] have investigated the role of copulas in path analysis for categorical data. Douma and Shipley [9] have explored testing path models that include dependent errors, nonlinear functional relationships and using non-normal, hierarchically structured data. Choi and Seo [6] have proposed copula-based redundancy analysis to improve the performance of regression-based Extended Redundancy Analysis. Hult et al. [17] have studied the effect of Gaussian Copula in Latent variables path analysis. For more details, see Bauer [3], Eckert and Hohberger [11], Park and Gupta [26].

In this work, based on a well organized empirical study and real application, we found that path analysis performed through copula-based regression approach gives more robust results. The rest of work is organized as follows: Section 2 presents the basic setup of regression based on copulas and path coefficients along with some important examples. Section 3 summarizes the performance of considered approaches through well organized numerical scheme. To demonstrate the performance of path analysis through copula, two real data sets are also analyzed in Section 4. Finally, conclusion and some future remarks are discussed.

## 2. BASIC SETUP OF REGRESSION BASED ON COPULAS AND PATH COEFFICIENTS

Let  $Y$  be a continuous endogenous variable and  $\mathbf{X} = (X_1, X_2, \dots, X_p)$  be continuous exogenous random vector with joint distribution  $H(y, \mathbf{x})$  and  $H_Y(y)$  and  $H_{X_i}(x_i); i = 1, 2, \dots, p$ , be their marginal distributions, respectively. Then, by Sklar [31] theorem, the marginals and joint distribution are connected via a  $(p + 1)$ -dimensional copula  $C$  as

$$H(y, x_1, \dots, x_p) = C(H_Y(y), H_{X_1}(x_1), \dots, H_{X_p}(x_p)), \quad \forall (y, x_1, \dots, x_p) \in \mathbb{R}^{p+1}.$$

Let  $H_{Y|\mathbf{X}}(y|\mathbf{x})$  be the conditional distribution of  $(Y, \mathbf{X})$ , then for a Borel measurable function  $\eta$ , the conditional expectation of  $\eta(Y)$  on  $\mathbf{X} = \mathbf{x}$  is given by

$$m(\mathbf{x}) = E(\eta(Y)|\mathbf{X} = \mathbf{x}) = \int \eta(y) \frac{\partial}{\partial y} H_{Y|\mathbf{X}}(y|\mathbf{x}) dy.$$

In terms of copula, it is expressed as

$$m(\mathbf{x}) = E(\eta(Y)|\mathbf{X} = \mathbf{x}) = \int \eta(y) \frac{c(H_Y(y), H_{X_1}(x_1), \dots, H_{X_p}(x_p))}{c_X(H_{X_1}(x_1), \dots, H_{X_p}(x_p))} dH_Y(y), \quad (2.1)$$

where  $c(u_0, u_1, \dots, u_p) = \frac{\partial^{p+1} C(u_0, u_1, \dots, u_p)}{\partial u_0 \partial u_1 \dots \partial u_p}$  is the density of the copula  $C$  associated with the random vector  $(Y, \mathbf{X})$  and  $c_X(u_1, \dots, u_p) = \frac{\partial^p C(1, u_1, \dots, u_p)}{\partial u_1 \dots \partial u_p}$  is the density of the copula associated with the random vector  $\mathbf{X}$ . When components of  $\mathbf{X}$  are pairwise independent, then using fact that  $c_X(u_1, \dots, u_p)$ , (2.1) reduces to

$$m(\mathbf{x}) = E(\eta(Y)|\mathbf{X} = \mathbf{x}) = \int \eta(y) c(H_Y(y), H_{X_1}(x_1), \dots, H_{X_p}(x_p)) dH_Y(y). \quad (2.2)$$

Using (2.1), we can derive higher order conditional moments, conditional variance and the regression function for different family of copulas. In recent literature, a number of researchers have studied the mathematical and statistical aspect of copula-based regression models. Some important references includes Ali et al. [2], Crane and Hoek [7], Noh et al. [25], Sheikhi et al. [30], and Vellaisamy and Pathak [35].

**Regression for Elliptical Copulas Family:** Elliptical family of copulas are obtained from the multivariate elliptical distribution functions. It includes the Gaussian and the student's t-copula as two important members that are widely used in practical applications. Let  $\boldsymbol{\vartheta}_{\Sigma_{p+1}}$  be the  $(p+1)$ -dimensional multivariate elliptical distribution with correlation matrix  $\Sigma_{p+1}$  and  $\vartheta^{-1}$  be the inverse distribution of the univariate elliptical distribution. Then, elliptical copulas are defined by

$$C(u_0, u_1 \dots u_p) = \boldsymbol{\vartheta}_{\Sigma_{p+1}} (\vartheta^{-1}(u_0), \vartheta^{-1}(u_1), \dots, \vartheta^{-1}(u_p)). \quad (2.3)$$

If the joint distribution of  $(Y, \mathbf{X})$  is determined by the elliptical copulas (2.3), then regression of  $Y$  on  $\mathbf{X} = \mathbf{x}$  is

$$m(\mathbf{x}) = \int y \frac{\boldsymbol{\nu}_{\Sigma_{p+1}} (\vartheta^{-1}(H_Y(y)), \vartheta^{-1}(H_{X_1}(x_1)), \dots, \vartheta^{-1}(H_{X_p}(x_p)))}{\boldsymbol{\nu}_{\Sigma_{\mathbf{X}}} (\vartheta^{-1}(H_{X_1}(x_1)), \dots, \vartheta^{-1}(H_{X_p}(x_p)))} dy,$$

where  $\boldsymbol{\nu}_{\Sigma_{p+1}}$  and  $\boldsymbol{\nu}_{\Sigma_{\mathbf{X}}}$  are joint densities of the multivariate elliptical distributions of the random vectors  $(Y, \mathbf{X})$  and  $\mathbf{X}$  with correlation matrices  $\Sigma_{p+1}$  and  $\Sigma_{\mathbf{X}}$ , respectively. Next, we have the following results:

**Lemma 2.1.** Let  $C(u_0, u_1 \dots u_p)$  be a  $(p + 1)$ -dimensional Gaussian copula of the form

$$C(u_0, u_1 \dots u_p) = \Phi_{\Sigma_{p+1}} \left( \Phi^{-1}(u_0), \Phi^{-1}(u_1) \dots \Phi^{-1}(u_p) \right),$$

where  $\Phi_{\Sigma_{p+1}}$  denotes a  $(p + 1)$ -dimensional distribution of a standard normal variates,  $\Phi^{-1}$  represents the inverse of univariate standard normal. Then, the regression of  $Y$  on  $\mathbf{X} = \mathbf{x}$  takes the form (see Ali et al. [2], Noh et al. [25]).

$$m(\mathbf{x}) = E \left[ H_Y^{-1} \left( \Phi \left( \mathbf{u}' \Sigma_X^{-1} \boldsymbol{\rho} + Z \sqrt{1 - \boldsymbol{\rho}' \Sigma_X^{-1} \boldsymbol{\rho}} \right) \right) \right], \quad (2.4)$$

where  $\boldsymbol{\rho}' = (\rho_{x_1y}, \dots, \rho_{x_py})$  presents the vector of correlation coefficient between  $Y$  and  $\mathbf{X}$  and  $\mathbf{u}' = (\Phi^{-1}(H_{X_1}(x_1)), \dots, \Phi^{-1}(H_{X_p}(x_p)))$  denotes the vector of inverse cumulative distribution function of exogenous variables.

**Corollary 2.1.** Let  $Y, X_1, X_2 \sim N(0, 1)$  and the joint dependence is determined by the Gaussian copula. Then, the regression of  $Y$  on  $X_1 = x_1$  and  $X_2 = x_2$  is given by (see Sheikhi et al. [30])

$$m(x_1, x_2) = \frac{\rho_{x_1y} - \rho_{x_2y}\rho_{x_1x_2}}{1 - \rho_{x_1x_2}^2} x_1 + \frac{\rho_{x_2y} - \rho_{x_1y}\rho_{x_1x_2}}{1 - \rho_{x_1x_2}^2} x_2, \quad (2.5)$$

where  $\rho_{x_1y}, \rho_{x_2y}$ , and  $\rho_{x_1x_2}$  are correlation between  $(X_1, Y)$ ,  $(X_2, Y)$ , and  $(X_1, X_2)$ , respectively. In terms of the path coefficients (2.5) may also be expressed as

$$m(x_1, x_2) = P_1 x_1 + P_2 x_2,$$

where  $P_1 = \frac{\rho_{x_1y} - \rho_{x_2y}\rho_{x_1x_2}}{1 - \rho_{x_1x_2}^2}$  and  $P_2 = \frac{\rho_{x_2y} - \rho_{x_1y}\rho_{x_1x_2}}{1 - \rho_{x_1x_2}^2}$  are path coefficients.

**Corollary 2.2.** Let the joint dependence of  $(Y, X_1, X_2, X_3)$  be characterized by Gaussian copula with standard normal marginals and correlation coefficients among  $Y, X_1, X_2$ , and  $X_3$  are  $\rho_{x_1y}, \rho_{x_2y}, \rho_{x_3y}, \rho_{x_1x_2}, \rho_{x_1x_3}$ , and  $\rho_{x_2x_3}$ , respectively. Then, the regression function of  $Y$  on  $X_1 = x_1, X_2 = x_2$ , and  $X_3 = x_3$  can be derived from (2.4) and takes the following form

$$\begin{aligned} m(x_1, x_2, x_3) = & \left\{ \frac{\rho_{x_1y}(1 - \rho_{x_2x_3}^2) + \rho_{x_2y}(\rho_{x_2x_3}\rho_{x_3x_1} - \rho_{x_2x_1}) + \rho_{x_3y}(\rho_{x_2x_1}\rho_{x_3x_2} - \rho_{x_3x_1})}{(1 - \rho_{x_1x_2}^2 - \rho_{x_1x_3}^2 - \rho_{x_2x_3}^2 + 2\rho_{x_1x_2}\rho_{x_1x_3}\rho_{x_2x_3})} \right\} x_1 \\ & + \left\{ \frac{\rho_{x_2y}(1 - \rho_{x_1x_3}^2) + \rho_{x_1y}(\rho_{x_1x_3}\rho_{x_3x_2} - \rho_{x_1x_2}) + \rho_{x_3y}(\rho_{x_1x_2}\rho_{x_3x_1} - \rho_{x_3x_2})}{(1 - \rho_{x_1x_2}^2 - \rho_{x_1x_3}^2 - \rho_{x_2x_3}^2 + 2\rho_{x_1x_2}\rho_{x_1x_3}\rho_{x_2x_3})} \right\} x_2 \\ & + \left\{ \frac{\rho_{x_3y}(1 - \rho_{x_1x_2}^2) + \rho_{x_1y}(\rho_{x_1x_2}\rho_{x_2x_3} - \rho_{x_1x_3}) + \rho_{x_2y}(\rho_{x_1x_3}\rho_{x_2x_1} - \rho_{x_2x_3})}{(1 - \rho_{x_1x_2}^2 - \rho_{x_1x_3}^2 - \rho_{x_2x_3}^2 + 2\rho_{x_1x_2}\rho_{x_1x_3}\rho_{x_2x_3})} \right\} x_3. \end{aligned} \quad (2.6)$$

In terms of path coefficients  $(P_j : j = 1, 2, 3)$  (2.6) is written as

$$m(x_1, x_2, x_3) = P_1 x_1 + P_2 x_2 + P_3 x_3,$$

where  $P_1$ ,  $P_2$ , and  $P_3$  are coefficients of  $x_1$ ,  $x_2$ , and  $x_3$  in (2.6).

**Lemma 2.2.** Let  $\Sigma_{p+1}$  be a  $(p + 1)$ -dimensional correlation matrix. A Student's  $t$ -copula takes the form

$$C(u_0, u_1 \dots u_p) = \mathbf{t}_{\nu, \Sigma_{p+1}} \left( t_{\nu}^{-1}(u_0), t_{\nu}^{-1}(u_1), t_{\nu}^{-1}(u_2) \dots t_{\nu}^{-1}(u_p) \right),$$

where  $\mathbf{t}_{\nu, \Sigma_{p+1}}$  is the multivariate Student's  $t$ -distribution with degrees of freedom  $\nu$  and correlation matrix  $\Sigma_{p+1}$ , and  $t_{\nu}^{-1}$  is the inverse distribution function of univariate Student's  $t$ -distribution with  $\nu$  degrees of freedom. Then, the conditional mean function of  $Y$  on  $\mathbf{X} = \mathbf{x}$  is (see Leong and Valdez ([24])) given by

$$m(\mathbf{x}) = E \left[ H_Y^{-1} \left( t_{\nu}(\boldsymbol{\rho}' \Sigma_X^{-1} \mathbf{u} + \sqrt{\nu(1 - \boldsymbol{\rho}' \Sigma_X^{-1} \boldsymbol{\rho}) \left( 1 + \frac{1}{\nu} \mathbf{u}' \Sigma_X^{-1} \mathbf{u} \right)} / (\nu + p) Z \right) \right],$$

where  $\mathbf{u}' = (t_{\nu}^{-1}(H_{X_1}(x_1)), \dots, t_{\nu}^{-1}(H_{X_p}(x_p)))$ ,  $\boldsymbol{\rho}' = (\rho_{x_1y}, \dots, \rho_{x_py})$ ,  $Z$  is standard univariate  $t$  random variable.

**Remark 2.1.** In case of real data applications, if the endogenous variable ( $Y$ ) and exogenous variables ( $X_1$  and  $X_2$ ) are linked via  $t$ -copula with standard normal marginals and correlation coefficients among  $Y$ ,  $X_1$ , and  $X_2$  are  $\rho_{x_1y}$ ,  $\rho_{x_2y}$ , and  $\rho_{x_1x_2}$ , respectively. Then, we can derive the algebraic expression of regression function discussed by Sheikhi et al. [30] and for a large sample, this regression function tends to (2.5).

**Corollary 2.3.** Let the joint dependence of  $(Y, X_1, X_2)$  is determined by the Student's  $t$ -copula with  $\nu$  degree of freedom and all marginals are identical and have Student's  $t$ -distribution with location parameter ( $\mu$ ) and scale parameter ( $\sigma$ ). Then, in case of common pairwise correlation coefficient ( $\rho$ ) between variables, regression function of  $Y$  on  $X_1 = x_1$  and  $X_2 = x_2$  takes the form (see Leong and Valdez [24])

$$m(x_1, x_2) = \frac{1 - \rho}{1 + \rho} \mu + \frac{\rho}{1 + \rho} x_1 + \frac{\rho}{1 + \rho} x_2,$$

$$m(x_1, x_2) = \frac{1 - \rho}{1 + \rho} \mu + P_1 x_1 + P_2 x_2.$$

With the help of above results, we can compute the path coefficient using copula function which measures the causal correlations between the endogenous and exogenous variables. Since, along with the direct effect of an exogenous variable, it may also have an indirect effect on an endogenous or another exogenous variable. The correlation coefficient between these two variables is equal to the sum of the direct effect of an effective variable and indirect effects of the other variables (see Güneri et al. [14]). Therefore, the next result presents these correlations in terms of direct and indirect effects.

**Proposition 2.1.** Let the joint distribution of  $(Y, X_1, X_2, \dots, X_p)$  is determined by elliptical distribution as defined in (2.3). Let  $Y$  and  $X_i$  ( $i = 1, 2, \dots, p$ ) follow  $N(0, 1)$ . Then, we can express the correlation between endogenous and exogenous variables in terms of direct and indirect effects as

$$\begin{aligned}\rho_{x_1x_1}P_1 + \rho_{x_1x_2}P_2 + \cdots + \rho_{x_1x_p}P_p &= \rho_{x_1y} \\ \rho_{x_2x_1}P_1 + \rho_{x_2x_2}P_2 + \cdots + \rho_{x_2x_p}P_p &= \rho_{x_2y} \\ &\vdots \\ \rho_{x_px_1}P_1 + \rho_{x_px_2}P_2 + \cdots + \rho_{x_px_p}P_p &= \rho_{x_py}\end{aligned}$$

where,  $P_j : j = 1, 2, \dots, p$  represents the direct effect of the exogenous variable ( $X_i$ ) on the endogenous variable ( $Y$ ) and  $\rho_{x_ix_j}P_j : i \neq j = 1, 2, \dots, p$  denotes the indirect effect of an exogenous variable ( $X_i$ ) on the  $j^{\text{th}}$  exogenous variable ( $X_j$ ).

**Proof:** Let  $Y = P_1X_1 + P_2X_2 + \cdots + P_pX_p$ . Then, the correlation between  $Y$  and  $X_1$  is given by

$$E(YX_1) = E[(P_1X_1 + P_2X_2 + \cdots + P_pX_p)X_1].$$

That is,

$$\sigma_{x_1y} = P_1\sigma_{x_1}^2 + P_2\sigma_{x_1x_2} + \cdots + P_p\sigma_{x_1x_p}. \quad (2.7)$$

Dividing both sides of (2.7) by  $\sigma_y\sigma_{x_1}$  and on rearranging the terms, it leads to

$$\frac{\sigma_{x_1y}}{\sigma_y\sigma_{x_1}} = P_1\frac{\sigma_{x_1}^2}{\sigma_y\sigma_{x_1}} + P_2\frac{\sigma_{x_1x_2}}{\sigma_y\sigma_{x_1}} \times \frac{\sigma_{x_2}}{\sigma_{x_2}} + \cdots + P_p\frac{\sigma_{x_1x_p}}{\sigma_y\sigma_{x_1}} \times \frac{\sigma_{x_p}}{\sigma_{x_p}},$$

which expresses the correlation between  $Y$  and  $X_1$  in terms of direct and indirect effects as

$$\rho_{x_1y} = P_1 + \rho_{x_1x_2}P_2 + \cdots + \rho_{x_1x_p}P_p.$$

On a similar way, we can also obtain the other correlation between the variables  $(Y, X_2)$ ,  $(Y, X_3), \dots, (Y, X_p)$  in terms of direct and indirect effects.

### 3. SIMULATION STUDY

Simulation study is carried out to estimate the causal effects in path analysis when variables are linked via Gaussian copula. This simulation also assesses the accuracy of path model when direct and indirect effect are estimated using classical and copula-based regression approaches. In this study, path model involves only observed variables. To deeply observe the performance of both approaches, we restrict our simulation on a tri-variate (which includes two exogenous variables  $X_1$  and  $X_2$ , and one endogenous variable  $Y$ ) and four-variate (three exogenous variables  $X_1$ ,  $X_2$ , and  $X_3$ , and one endogenous variable  $Y$ ) path model.

In both selected models, we define three different correlation levels; low, medium, and high among the variables. The path diagram of formulated causal models and the correlation structure of considered variables are shown in Fig 1. In the path model, the single-headed arrow shows the cause for one variable to another variable, while the double-headed arrow shows the correlation between pairs of exogenous variables. All the computations has been done through 4.2.1 version of R-programming. We start our simulation using tri-variate standard normal  $(Y, X_1, X_2)$  in which they are connected via Gaussian copula.

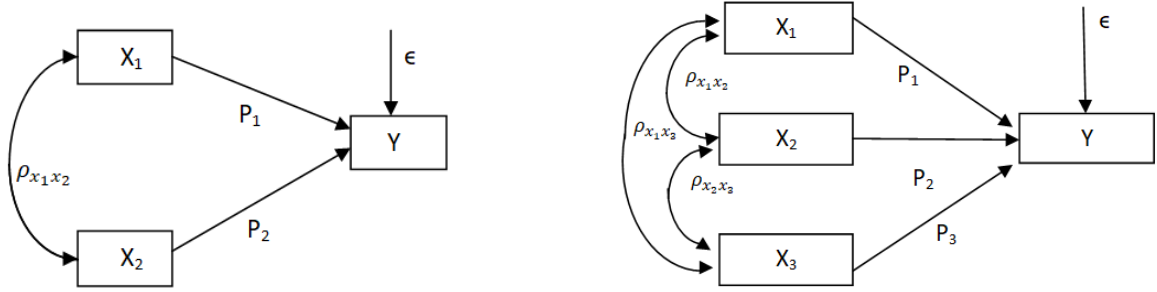


FIGURE 1. Path model in case of two exogenous variables (left) and three exogenous variables (right).

$$\underbrace{\begin{bmatrix} y & x_1 & x_2 \\ 1 & 0.3 & -0.5 \\ 0.3 & 1 & 0.1 \\ -0.5 & 0.1 & 1 \end{bmatrix}}_{p=2, \text{ Low Correlation}}$$

$$\underbrace{\begin{bmatrix} y & x_1 & x_2 \\ 1 & 0.5 & 0.4 \\ 0.5 & 1 & 0.1 \\ 0.4 & 0.1 & 1 \end{bmatrix}}_{p=2, \text{ Medium Correlation}}$$

$$\underbrace{\begin{bmatrix} y & x_1 & x_2 \\ 1 & 0.6 & 0.7 \\ 0.6 & 1 & 0.5 \\ 0.7 & 0.5 & 1 \end{bmatrix}}_{p=2, \text{ High Correlation}}$$

$$\underbrace{\begin{bmatrix} y & x_1 & x_2 & x_3 \\ 1 & 0.3 & 0.2 & -0.2 \\ 0.3 & 1 & -0.1 & 0.1 \\ 0.2 & -0.1 & 1 & 0.2 \\ -0.2 & 0.1 & 0.2 & 1 \end{bmatrix}}_{p=3, \text{ Low Correlation}}$$

$$\underbrace{\begin{bmatrix} y & x_1 & x_2 & x_3 \\ 1 & 0.5 & 0.4 & 0.3 \\ 0.5 & 1 & 0.2 & 0.1 \\ 0.4 & 0.2 & 1 & 0.2 \\ 0.3 & 0.1 & 0.2 & 1 \end{bmatrix}}_{p=3, \text{ Medium Correlation}}$$

$$\underbrace{\begin{bmatrix} y & x_1 & x_2 & x_3 \\ 1 & 0.7 & 0.6 & 0.6 \\ 0.7 & 1 & 0.5 & 0.5 \\ 0.6 & 0.5 & 1 & 0.4 \\ 0.6 & 0.5 & 0.4 & 1 \end{bmatrix}}_{p=3, \text{ High Correlation}}$$

We generate data of 100, 200, 300, and 400 different sample sizes from Gaussian copula in which endogenous and exogenous variables are linked with low, medium, and high correlations as defined above. Algorithm to generate data via Gaussian copula is briefly explained in ‘VineCopula’ package in the R-software. Before performing path analysis, we first standardized data in case of each generated sample and confirmed the normality of data by



Kolmogorov Samirov test. This test is performed using package ‘dgof’ in R-software. Since the data comes from a Gaussian copula, it is evident that data hold the normality assumptions. Therefore, authors did not report the p-values of the K-S test corresponding to each model. Here, path analysis includes only one structure of regression equation based on the model pattern that has been already discussed in Section 2. Since we use the 5-fold cross validation technique, so in each fold i.e.,  $k = 1, 2, 3, 4, 5$  train set contains only 80% observations and remaining 20% observations are contained in test set. To compare the performance of both approaches, we consider the statistical indices; mean of mean squared error (MSE), standard deviation (SD) of mean squared error (MSE), Akaike Information Criterion (AIC), and Bayesian Information Criterion (BIC) of regression structure equation of path model in this 5-fold cross-validation technique. The mathematical form of these indices are as follows (see Sheikhi et al. [30]);  $MSE = \frac{\sum_1^n (\hat{Y}_i - Y_i)^2}{n}$ ,  $AIC = nLL + 2k$ , and  $BIC = nLL + k \log(n)$ , where  $n$  is the sample size of data,  $LL$  denotes the log-likelihood for the model, and  $k$  represents the number of parameters in the model.

In a particular situation when the path model consists of only two exogenous variable, Table 1 presents the summary of model evaluation indices for the train set and test set corresponding to each low, medium, and high level correlation for 100, 200, 300, and 400 sample sizes. From Table 1, it can be observed that in case of train set; mean of MSE, SD of MSE, AIC, and BIC all are highly close in both approaches. But when we observe the performance of all indices for test set, analysis through the copula-based regression approach gives significant differences in results, which show the superiority of the Gaussian copula-based regression technique over the classical regression.

Table 2 presents the path and correlation coefficients estimated through both techniques corresponding to low, medium, and high level correlation. The main observation of this table is that in the case of each sample size, the path coefficients calculated through classical and copula techniques are approximately equal to each other, and correlation coefficients are precisely similar in both approaches. Another observation is that increasing the sample size slightly affects the path coefficients. We also observe the analysis of both techniques in terms of direct, indirect, and total effects. Table 3 presents the summary of direct, indirect, and total effect for regression structure  $P_1X_1 + P_2X_2$  to  $Y$  of path model. Path coefficients in classical approach (in case of a large sample,  $n=400$ ) for train set reveals that there is a direct influence of  $X_1$  on  $Y$  (i.e.,  $P_1$ ) and  $X_2$  on  $Y$  (i.e.,  $P_2$ ) is 0.340 and -0.559, respectively. In other words, when the influence of one exogenous variable is kept constant, one-unit change in other exogenous variable in model will cause the relevant endogenous variable to change as much as the path coefficient value of the related variables. The results

of analysis show that indirect influence of  $X_1$  on  $Y$  via  $X_2$  (i.e.,  $\rho_{x_1x_2}P_2$ ) and  $X_2$  on  $Y$  via  $X_1$  (i.e.,  $\rho_{x_1x_2}P_1$ ) are calculated as  $0.103 \times -0.559 = -0.058$  and  $0.103 \times 0.340 = 0.035$ , respectively, where 0.103 is the estimated value of correlation coefficient ( $\rho_{x_1x_2}$ ) between exogenous variables  $X_1$  and  $X_2$ . The total effect of  $X_1$  to  $Y$  is  $0.340 + (-0.058) = 0.282$  and  $X_2$  to  $Y$  is  $(-0.599) + 0.035 = -0.523$ , which are the approximately equal to the correlation coefficients between  $X_1$  to  $Y$  i.e., 0.3 and  $X_2$  to  $Y$  i.e., -0.5, respectively. Similarly, results of analysis obtained through Gaussian copula approach reveals the total effect of  $X_1$  on  $Y$  is 0.282 and  $X_2$  on  $Y$  is -0.523. Same way, when we interpretate the results for test set, the total effect of each exogenous variable  $X_1$ ,  $X_2$  on endogenous variable  $Y$  are approximately equal to their correlation coefficient between  $X_1$  on  $Y$ , and  $X_2$  on  $Y$ , respectively (see proposition (2.1)). Moreover, in case of large sample size, t-copula converges to the Gaussian copula (see Kole et al. [21]) and regression function associated with Student's t-copula can be treated as a linear regression. For large samples, result of analysis performed through t-copula is similar to the Gaussian copula. Therefore, these results are not reported in this manuscript.

Similarly, we use the same algorithm to perform analysis when the path model consists of three exogenous and one endogenous variable. From Table 4, Table 5, Table 6, and Table 7, we can observe the similar pattern of results as we obtained in the case of two exogenous and one endogenous path model.

TABLE 1. Summary of model evaluation indices obtained by low, medium, and high correlations for  $p = 2$ .

Sample $\rightarrow$		$n = 100$		$n = 200$		$n = 300$		$n = 400$	
$\downarrow$ Correlation	Indices	Classical	Copula	Classical	Copula	Classical	Copula	Classical	Copula
Low									
Train-Set	Mean of MSE	0.539	0.540	0.585	0.587	0.556	0.556	0.609	0.609
	SD of MSE	0.013	0.013	0.032	0.031	0.022	0.022	0.012	0.011
	AIC	-72.0	-71.5	-155.3	-155.6	-240.2	-239.5	-282.4	-281.9
	BIC	-64.2	-63.6	-145.4	-144.5	-229.1	-228.5	-270.4	-269.8
Test-Set	Mean of MSE	0.573	0.549	0.618	0.598	0.572	0.564	0.620	0.614
	SD of MSE	0.052	0.050	0.133	0.122	0.092	0.087	0.047	0.045
	AIC	-226.1	-231.8	-366.3	-378.9	-618.2	-627.7	-813.3	-820.8
	BIC	-218.3	-223.9	-356.4	-369.1	-607.1	-616.6	-801.3	-808.9
Medium									
Train-Set	Mean of MSE	0.570	0.570	0.574	0.574	0.634	0.634	0.636	0.636
	SD of MSE	0.039	0.038	0.019	0.019	0.016	0.016	0.021	0.021
	AIC	-79.0	-78.9	-150.4	-150.3	-191.0	-190.9	-245.3	-245.1
	BIC	-71.2	-71.1	-140.5	-140.4	-179.9	-179.8	-233.3	-233.1
Test-Set	Mean of MSE	0.607	0.585	0.592	0.583	0.647	0.639	0.644	0.640
	SD of MSE	0.160	0.151	0.075	0.075	0.065	0.063	0.084	0.083
	AIC	-177.7	-178.0	-410.0	-411.1	-626.8	-628.0	-886.1	-890.1
	BIC	-169.95	-169.98	-400.2	-401.2	-615.7	-617.1	-874.1	-878.1
High									
Train-Set	Mean of MSE	0.420	0.420	0.434	0.434	0.424	0.424	0.435	0.435
	SD of MSE	0.027	0.027	0.029	0.029	0.028	0.028	0.027	0.027
	AIC	-107.8	-107.6	-208.1	-208.1	-327.6	-327.5	-437.3	-437.3
	BIC	-100.0	-99.98	-198.2	-198.2	-316.5	-316.4	-425.3	-425.3
Test-Set	Mean of MSE	0.473	0.453	0.456	0.442	0.432	0.428	0.439	0.436
	SD of MSE	0.119	0.117	0.126	0.118	0.112	0.110	0.109	0.108
	AIC	-209.9	-211.4	-458.2	-459.2	-685.0	-686.1	-884.3	-885.2
	BIC	-202.1	-203.6	-448.3	-449.3	-673.9	-674.3	-872.3	-873.1

TABLE 2. Path coefficients ( $P_i$ );  $i = 1, 2$  and correlation coefficient ( $\rho_{x_1x_2}$ ) obtained by low, medium, and high correlations for  $p = 2$ .

Sample $\rightarrow$		$n = 100$		$n = 200$		$n = 300$		$n = 400$	
$\downarrow$ Correlation	Coeff.	Classical	Copula	Classical	Copula	Classical	Copula	Classical	Copula
Low									
Train-Set	$P_1$	0.3588	0.3578	0.3841	0.3839	0.3442	0.3438	0.3404	0.3402
	$P_2$	-0.6128	-0.6095	-0.5740	-0.5737	-0.6044	-0.6042	-0.5589	-0.5585
	$\rho_{x_1x_2}$	0.1036	0.1036	0.1478	0.1478	0.0992	0.0992	0.1030	0.1030
Test-Set	$P_1$	0.3588	0.3633	0.3841	0.4122	0.3442	0.3534	0.3404	0.3385
	$P_2$	-0.6128	-0.6493	-0.5740	-0.6016	-0.6044	-0.6145	-0.5589	-0.5638
	$\rho_{x_1x_2}$	0.1081	0.1081	0.1564	0.1564	0.1041	0.1041	0.1044	0.1044
Medium									
Train-Set	$P_1$	0.5354	0.5353	0.5225	0.5227	0.4738	0.4739	0.4874	0.4873
	$P_2$	0.3241	0.3236	0.3553	0.3554	0.3632	0.3628	0.3562	0.3562
	$\rho_{x_1x_2}$	0.0835	0.0835	0.0586	0.0586	0.0199	0.0199	-0.0078	-0.0078
Test-Set	$P_1$	0.5354	0.5068	0.5225	0.5262	0.4738	0.4819	0.4874	0.4960
	$P_2$	0.3241	0.3585	0.3553	0.3639	0.3632	0.3565	0.3562	0.3508
	$\rho_{x_1x_2}$	0.0905	0.0905	0.0540	0.0540	0.0165	0.0165	-0.0058	-0.0058
High									
Train-Set	$P_1$	0.3270	0.3288	0.3419	0.3424	0.3650	0.3653	0.3373	0.3374
	$P_2$	0.5398	0.5397	0.5206	0.5204	0.5145	0.5143	0.5272	0.5271
	$\rho_{x_1x_2}$	0.4727	0.4727	0.4868	0.4868	0.4665	0.4665	0.4821	0.4821
Test-Set	$P_1$	0.3270	0.3931	0.3419	0.3562	0.3650	0.3660	0.3373	0.3350
	$P_2$	0.5398	0.4849	0.5206	0.5125	0.5145	0.5190	0.5272	0.5294
	$\rho_{x_1x_2}$	0.4616	0.4616	0.4783	0.4783	0.4640	0.4640	0.4759	0.4759

TABLE 3. Summary of direct effect (D.E.), indirect effect (I.E.), and total effect (T.E.) for  $p = 2$ .

Sample $\rightarrow$		$n = 100$			$n = 200$			$n = 300$			$n = 400$			
$\downarrow$ Corr.	Approach	D.E.	I.E.	T.E.	D.E.	I.E.	T.E.	D.E.	I.E.	T.E.	D.E.	I.E.	T.E.	
Low	Train-Set	Classical												
		$X_1$ to $Y$	0.359	-0.064	0.295	0.384	-0.085	0.299	0.344	-0.060	0.284	0.340	-0.058	0.282
		$X_2$ to $Y$	-0.613	0.038	-0.575	-0.574	0.057	-0.517	-0.604	0.034	-0.570	-0.559	0.035	-0.523
		Copula												
		$X_1$ to $Y$	0.358	-0.064	0.294	0.384	-0.085	0.299	0.344	-0.061	0.283	0.340	-0.058	0.282
	Test-Set	$X_2$ to $Y$	-0.610	0.038	-0.572	-0.574	0.058	-0.516	-0.604	0.034	-0.570	-0.559	0.036	-0.523
		Classical												
		$X_1$ to $Y$	0.359	-0.067	0.292	0.384	-0.090	0.294	0.344	-0.063	0.281	0.340	-0.058	0.282
		$X_2$ to $Y$	-0.613	0.039	-0.574	-0.574	0.061	-0.513	-0.604	0.036	-0.568	-0.559	0.076	-0.523
		Copula												
Medium	Train-Set	$X_1$ to $Y$	0.363	-0.070	0.293	0.412	-0.094	0.318	0.353	-0.064	0.289	0.339	-0.06	0.279
		$X_2$ to $Y$	-0.649	0.039	-0.610	-0.602	0.065	-0.537	-0.615	0.038	-0.577	-0.564	0.036	-0.528
		Classical												
		$X_1$ to $Y$	0.535	0.027	0.562	0.523	0.020	0.543	0.474	0.007	0.481	0.487	-0.002	0.485
		$X_2$ to $Y$	0.324	0.044	0.368	0.355	0.031	0.386	0.363	0.010	0.373	0.356	-0.004	0.352
	Test-Set	Copula												
		$X_1$ to $Y$	0.535	0.027	0.562	0.523	0.021	0.544	0.474	0.007	0.481	0.487	-0.003	0.484
		$X_2$ to $Y$	0.324	0.004	0.368	0.355	0.031	0.386	0.363	0.009	0.372	0.356	-0.004	0.352
		Classical												
		$X_1$ to $Y$	0.535	0.029	0.564	0.523	0.019	0.542	0.474	0.006	0.480	0.487	-0.002	0.485
High	Train-Set	$X_2$ to $Y$	0.324	0.048	0.372	0.355	0.029	0.384	0.363	0.008	0.371	0.356	-0.003	0.353
		Copula												
		$X_1$ to $Y$	0.507	0.032	0.539	0.526	0.020	0.546	0.482	0.006	0.488	0.496	-0.002	0.494
		$X_2$ to $Y$	0.359	0.045	0.404	0.364	0.028	0.392	0.357	0.007	0.364	0.351	-0.003	0.348
		Classical												
	Test-Set	$X_1$ to $Y$	0.327	0.255	0.582	0.342	0.253	0.595	0.365	0.240	0.605	0.337	0.254	0.591
		$X_2$ to $Y$	0.540	0.154	0.694	0.520	0.167	0.687	0.515	0.169	0.684	0.527	0.163	0.690
		Copula												
		$X_1$ to $Y$	0.329	0.254	0.583	0.342	0.253	0.595	0.365	0.240	0.605	0.337	0.255	0.592
		$X_2$ to $Y$	0.540	0.155	0.695	0.520	0.167	0.687	0.514	0.171	0.685	0.527	0.163	0.690
High	Test-Set	Classical												
		$X_1$ to $Y$	0.327	0.249	0.576	0.342	0.248	0.590	0.365	0.239	0.604	0.337	0.251	0.588
		$X_2$ to $Y$	0.540	0.151	0.691	0.521	0.163	0.684	0.515	0.169	0.684	0.527	0.161	0.688
		Copula												
		$X_1$ to $Y$	0.393	0.223	0.616	0.356	0.245	0.601	0.366	0.241	0.607	0.335	0.252	0.587
$X_2$ to $Y$	0.485	0.181	0.666	0.513	0.170	0.683	0.519	0.170	0.689	0.529	0.160	0.689		

TABLE 4. Summary of model evaluation indices obtained by low, medium, and high correlations for  $p = 3$ .

Sample $\rightarrow$		$n = 100$		$n = 200$		$n = 300$		$n = 400$	
$\downarrow$ Correlation	Indices	Classical	Copula	Classical	Copula	Classical	Copula	Classical	Copula
Low									
Train-Set	Mean of MSE	0.676	0.676	0.686	0.687	0.750	0.751	0.748	0.749
	SD of MSE	0.058	0.058	0.037	0.037	0.027	0.028	0.030	0.030
	AIC	-59.9	-59.9	-120.2	-120.2	-154.3	-154.1	-211.6	-211.3
	BIC	-44.4	-44.3	-100.4	-100.4	-132.1	-131.8	-187.7	-187.4
Test-Set	Mean of MSE	0.740	0.616	0.737	0.644	0.790	0.718	0.789	0.706
	SD of MSE	0.246	0.215	0.145	0.140	0.107	0.126	0.119	0.135
	AIC	-130.5	-144.1	-314.5	-330.4	-480.4	-488.8	-650.0	-665.6
	BIC	-114.9	-128.4	-294.7	-310.6	-458.1	-466.5	-626.1	-641.6
Medium									
Train-Set	Mean of MSE	0.594	0.594	0.571	0.571	0.593	0.593	0.611	0.611
	SD of MSE	0.034	0.034	0.017	0.017	0.018	0.018	0.020	0.020
	AIC	-64.0	-63.9	-133.9	-133.5	-209.8	-209.7	-284.4	-283.8
	BIC	-48.4	-48.4	-114.1	-113.8	-187.6	-187.5	-260.5	-259.9
Test-Set	Mean of MSE	0.675	0.527	0.618	0.531	0.624	0.553	0.627	0.594
	SD of MSE	0.154	0.119	0.076	0.038	0.073	0.079	0.082	0.077
	AIC	-165.6	-176.3	-428.4	-443.2	-602.2	607.9	-759.5	-780.9
	BIC	-149.9	-160.6	-408.6	-423.4	-580.0	-585.7	-735.5	-756.9
High									
Train-Set	Mean of MSE	0.314	0.315	0.401	0.402	0.404	0.404	0.395	0.395
	SD of MSE	0.032	0.031	0.020	0.020	0.019	0.019	0.018	0.018
	AIC	-110.9	-110.6	-199.6	-199.4	-312.6	-312.4	-428.1	-428.0
	BIC	-95.1	-94.9	-179.8	-179.6	-290.4	-290.2	-404.2	-404.1
Test-Set	Mean of MSE	0.360	0.287	0.419	0.388	0.417	0.392	0.402	0.389
	SD of MSE	0.145	0.087	0.083	0.078	0.077	0.072	0.074	0.071
	AIC	-296.5	-313.8	-526.5	-541.5	-767.8	-784.5	-1063.7	-1072.5
	BIC	-280.9	-298.2	-506.7	-521.8	-745.6	-762.3	-1039.7	-1048.5

TABLE 5. Path coefficients ( $P_i$ );  $i = 1, 2, 3$  and correlation coefficient ( $\rho_{x_1x_2}$ ,  $\rho_{x_1x_3}$ ,  $\rho_{x_2x_3}$ ) obtained by low, medium, and high correlations for  $p = 3$ .

Sample $\rightarrow$		$n = 100$		$n = 200$		$n = 300$		$n = 400$		
$\downarrow$ Corr.	Coeff.	Classical	Copula	Classical	Copula	Classical	Copula	Classical	Copula	
Low	Train-Set	$P_1$	0.3770	0.3770	0.4124	0.4119	0.3763	0.3758	0.3846	0.3838
		$P_2$	0.3605	0.3597	0.3171	0.3158	0.2875	0.2866	0.3111	0.3101
		$P_3$	-0.3334	-0.3326	-0.3085	-0.3085	-0.2901	-0.2897	-0.3000	-0.2993
		$\rho_{x_1x_2}$	0.0255	0.0255	-0.0391	-0.0391	-0.1101	-0.1101	-0.1423	-0.1423
		$\rho_{x_1x_3}$	0.2126	0.2126	0.1560	0.1560	0.1513	0.1513	0.1437	0.1437
		$\rho_{x_2x_3}$	0.1050	0.1050	0.0567	0.0567	0.0476	0.0476	0.1111	0.1111
Low	Test-Set	$P_1$	0.3770	0.3493	0.4124	0.3881	0.3763	0.3642	0.3846	0.3676
		$P_2$	0.3605	0.3626	0.3171	0.3259	0.2875	0.2837	0.3111	0.3123
		$P_3$	-0.3334	-0.3348	-0.3085	-0.2919	-0.2901	-0.2828	-0.3000	-0.2805
		$\rho_{x_1x_2}$	0.0557	0.0557	-0.0161	-0.0161	-0.0976	-0.0976	-0.1224	-0.1224
		$\rho_{x_1x_3}$	0.2237	0.2237	0.1594	0.1594	0.1577	0.1577	0.1579	0.1579
		$\rho_{x_2x_3}$	0.1007	0.1007	0.0564	0.0564	0.0421	0.0421	0.1050	0.1050
Medium	Train-Set	$P_1$	0.4497	0.4493	0.4462	0.4465	0.4154	0.4150	0.4145	0.4146
		$P_2$	0.3015	0.2984	0.2850	0.2839	0.2919	0.2919	0.2863	0.2864
		$P_3$	0.1055	0.1062	0.2150	0.2156	0.2253	0.2246	0.2117	0.2110
		$\rho_{x_1x_2}$	0.2528	0.2528	0.1977	0.1977	0.1877	0.1877	0.1537	0.1537
		$\rho_{x_1x_3}$	0.1088	0.1088	0.0969	0.0969	0.1143	0.1143	0.1180	0.1180
		$\rho_{x_2x_3}$	0.1943	0.1943	0.1996	0.1996	0.2070	0.2070	0.2535	0.2535
Medium	Test-Set	$P_1$	0.4497	0.4434	0.4462	0.4249	0.4154	0.4190	0.4145	0.4191
		$P_2$	0.3015	0.2942	0.2850	0.2692	0.2919	0.2774	0.2863	0.2822
		$P_3$	0.1055	0.1343	0.2150	0.2238	0.2253	0.2315	0.2117	0.2142
		$\rho_{x_1x_2}$	0.2312	0.2312	0.1721	0.1721	0.1854	0.1854	0.1484	0.1484
		$\rho_{x_1x_3}$	0.1196	0.1196	0.0968	0.0968	0.1159	0.1159	0.1173	0.1173
		$\rho_{x_2x_3}$	0.2095	0.2095	0.2147	0.2147	0.2137	0.2137	0.2546	0.2546
High	Train-Set	$P_1$	0.6050	0.6054	0.4362	0.4359	0.3896	0.3891	0.4025	0.4020
		$P_2$	0.2063	0.2046	0.2453	0.2453	0.2749	0.2749	0.2568	0.2569
		$P_3$	0.1404	0.1399	0.2719	0.2453	0.2910	0.2907	0.3032	0.3030
		$\rho_{x_1x_2}$	0.5470	0.5470	0.5225	0.5225	0.4970	0.4970	0.4713	0.4713
		$\rho_{x_1x_3}$	0.5470	0.5470	0.4837	0.4837	0.4905	0.4905	0.5031	0.5031
		$\rho_{x_2x_3}$	0.3920	0.3920	0.3356	0.3356	0.4057	0.4057	0.4152	0.4152
High	Test-Set	$P_1$	0.6050	0.6372	0.4362	0.4456	0.3896	0.3896	0.4025	0.3987
		$P_2$	0.2063	0.1564	0.2453	0.2234	0.2749	0.2710	0.2568	0.2546
		$P_3$	0.1404	0.1120	0.2719	0.2719	0.2910	0.2889	0.3032	0.3068
		$\rho_{x_1x_2}$	0.5113	0.5153	0.5395	0.5395	0.5166	0.5166	0.4862	0.4862
		$\rho_{x_1x_3}$	0.5812	0.5812	0.4856	0.4856	0.4945	0.4945	0.5070	0.5070
		$\rho_{x_2x_3}$	0.4179	0.4179	0.3205	0.3205	0.4131	0.4131	0.4260	0.4260

TABLE 6. Summary of direct effect (D.E.), indirect effect (I.E.), and total effect (T.E.) obtained by low and medium correlations for  $p = 3$ .

Sample $\rightarrow$		$n = 100$			$n = 200$			$n = 300$			$n = 400$			
$\downarrow$ Corr.	Approach	D.E.	I.E.	T.E.	D.E.	I.E.	T.E.	D.E.	I.E.	T.E.	D.E.	I.E.	T.E.	
Low	Train-Set	Classical												
		$X_1$ to $Y$	0.377	-0.062	0.315	0.412	-0.060	0.352	0.376	-0.075	0.301	0.385	-0.008	0.297
		$X_2$ to $Y$	0.361	-0.026	0.335	0.317	-0.034	0.283	0.288	-0.056	0.232	0.311	-0.088	0.223
		$X_3$ to $Y$	-0.333	0.118	-0.215	-0.309	0.083	-0.226	-0.290	0.071	-0.219	-0.300	0.090	-0.210
		Copula												
		$X_1$ to $Y$	0.377	-0.062	0.315	0.412	-0.061	0.351	0.376	-0.076	0.300	0.384	-0.087	0.297
	Test-Set	$X_2$ to $Y$	0.360	-0.026	0.334	0.316	-0.034	0.282	0.287	-0.056	0.231	0.310	-0.088	0.222
		$X_3$ to $Y$	-0.333	0.118	-0.215	-0.309	0.083	-0.226	-0.290	0.071	-0.219	-0.299	0.089	-0.210
		Classical												
		$X_1$ to $Y$	0.377	-0.055	0.322	0.412	-0.054	0.358	0.376	-0.074	0.302	0.385	-0.086	0.299
		$X_2$ to $Y$	0.361	-0.012	0.349	0.317	-0.024	0.293	0.288	-0.049	0.239	0.311	-0.078	0.233
		$X_3$ to $Y$	-0.333	0.120	-0.213	-0.309	0.084	-0.225	-0.290	0.071	-0.219	-0.300	0.093	-0.207
Medium	Train-Set	Copula												
		$X_1$ to $Y$	0.349	-0.054	0.295	0.388	-0.052	0.336	0.364	-0.072	0.292	0.368	-0.083	0.285
		$X_2$ to $Y$	0.363	-0.015	0.348	0.326	-0.023	0.303	0.284	-0.048	0.236	0.312	-0.074	0.238
		$X_3$ to $Y$	-0.335	0.115	-0.220	-0.292	0.080	-0.212	-0.283	0.070	-0.213	-0.281	0.091	-0.190
		Classical												
		$X_1$ to $Y$	0.450	0.087	0.537	0.446	0.077	0.523	0.415	0.081	0.496	0.415	0.068	0.483
	Test-Set	$X_2$ to $Y$	0.301	0.135	0.436	0.285	0.131	0.416	0.292	0.125	0.417	0.286	0.118	0.404
		$X_3$ to $Y$	0.106	0.107	0.213	0.215	0.100	0.315	0.225	0.108	0.333	0.212	0.121	0.333
		Copula												
		$X_1$ to $Y$	0.449	0.087	0.536	0.447	0.077	0.524	0.415	0.080	0.495	0.415	0.069	0.484
		$X_2$ to $Y$	0.298	0.135	0.433	0.284	0.131	0.415	0.292	0.124	0.416	0.286	0.118	0.404
		$X_3$ to $Y$	0.106	0.107	0.213	0.216	0.100	0.316	0.225	0.107	0.332	0.211	0.122	0.333
Medium	Test-Set	Classical												
		$X_1$ to $Y$	0.450	0.082	0.532	0.446	0.070	0.516	0.415	0.081	0.496	0.415	0.067	0.482
		$X_2$ to $Y$	0.302	0.126	0.428	0.285	0.123	0.408	0.292	0.125	0.417	0.286	0.116	0.402
		$X_3$ to $Y$	0.106	0.116	0.222	0.215	0.104	0.319	0.225	0.111	0.336	0.212	0.121	0.333
		Copula												
		$X_1$ to $Y$	0.443	0.084	0.527	0.425	0.068	0.493	0.419	0.078	0.497	0.419	0.067	0.486
		$X_2$ to $Y$	0.294	0.131	0.425	0.269	0.121	0.390	0.277	0.128	0.405	0.282	0.117	0.399
$X_3$ to $Y$	0.134	0.115	0.249	0.224	0.099	0.323	0.232	0.107	0.339	0.214	0.121	0.335		



TABLE 7. Summary of direct effect (D.E.), indirect effect (I.E.), and total effect (T.E.) obtained by high correlation for  $p = 3$ .

Sample →		$n = 100$			$n = 200$			$n = 300$			$n = 400$		
↓ Corr.	Approach	D.E.	I.E.	T.E.	D.E.	I.E.	T.E.	D.E.	I.E.	T.E.	D.E.	I.E.	T.E.
High	Classical												
	$X_1$ to $Y$	0.605	0.189	0.794	0.436	0.260	0.696	0.390	0.279	0.669	0.403	0.273	0.676
	$X_2$ to $Y$	0.206	0.386	0.592	0.245	0.319	0.564	0.275	0.312	0.587	0.257	0.315	0.572
	$X_3$ to $Y$	0.140	0.412	0.552	0.271	0.294	0.565	0.291	0.303	0.594	0.303	0.309	0.612
	Copula												
	$X_1$ to $Y$	0.605	0.189	0.794	0.436	0.259	0.695	0.389	0.279	0.668	0.402	0.274	0.676
	$X_2$ to $Y$	0.205	0.386	0.591	0.245	0.319	0.564	0.275	0.311	0.586	0.257	0.315	0.572
$X_3$ to $Y$	0.140	0.411	0.551	0.272	0.293	0.565	0.291	0.302	0.593	0.303	0.309	0.612	
High	Classical												
	$X_1$ to $Y$	0.605	0.187	0.792	0.436	0.265	0.701	0.390	0.286	0.676	0.403	0.278	0.681
	$X_2$ to $Y$	0.206	0.368	0.574	0.245	0.323	0.568	0.275	0.321	0.596	0.257	0.325	0.582
	$X_3$ to $Y$	0.140	0.438	0.578	0.272	0.290	0.562	0.291	0.306	0.597	0.303	0.314	0.617
	Copula												
	$X_1$ to $Y$	0.637	0.145	0.782	0.446	0.252	0.698	0.390	0.282	0.672	0.399	0.279	0.678
	$X_2$ to $Y$	0.156	0.373	0.529	0.223	0.328	0.551	0.271	0.321	0.592	0.255	0.324	0.579
$X_3$ to $Y$	0.112	0.436	0.548	0.272	0.288	0.560	0.289	0.305	0.594	0.307	0.310	0.617	

#### 4. REAL APPLICATIONS

**Real Application 1:** Here, we consider the well known ‘marketing’ data which is easily available in ‘datarium’ package of R-software. It contains 200 observations with three advertising medias facebook, newspaper, and youtube on sales. In present study, we consider sales as a endogenous variable and facebook and newspaper as a exogenous variables, denoted it by  $Y$ ,  $X_1$ , and  $X_2$ , respectively. In general, the expending money on advertising through facebook has better sales than newspapers but there are also some indirect effect on sales by advertising through newspapers. We use here classical and copula-based regression approaches to calculate the path coefficients and predict the significant direct and indirect effect of advertising medias facebook ( $X_1$ ) and newspaper ( $X_2$ ) on sales ( $Y$ ). First, we extracted each selected variable from the data frame and standardized it, then confirmed the normality using ‘fitur’ package in R software. The p-values corresponding to Kolmogorov-Samirov test equal to 0.053, 0.119, and 0.051 suggest that standardized  $Y$ ,  $X_1$ , and  $X_2$  support to the normal distribution. Path model and observed correlation structure of standardized variables are reflected in Fig 2. We perform our analysis using 5-fold cross validation technique. The calculated model evaluation indices; mean of MSE, standard deviation (SD) of MSE, AIC, and BIC for train set and test set are reported

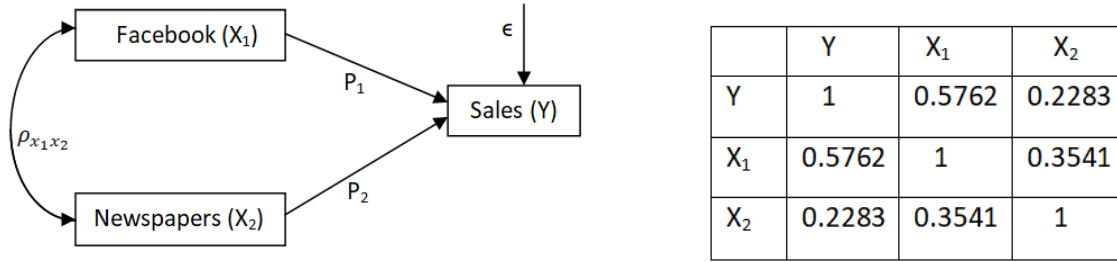


FIGURE 2. Path model (left) and correlation structure of variables (right).

in Table 8. Model evaluation indices in train set is almost same in both approaches but significant differences in test set devotes that the copula based regression approach works good over classical approach. As well as, the analyzed direct, indirect, and total effect of

TABLE 8. Summary of model evaluation indices of marketing data.

	Indices	Classical Approach	Copula Approach
Train-Set	Mean of MSE	0.661	0.661
	SD of MSE	0.048	0.044
	AIC	-100	-100
	BIC	-90	-90
Test-Set	Mean of MSE	0.693	0.684
	SD of MSE	0.177	0.175
	AIC	-485.32	-486.95
	BIC	-475.42	-477.05

Note: Train set and test set contains 160 and 40 observations, respectively.

advertising medias; facebook ( $X_1$ ) and newspaper ( $X_2$ ) on sales ( $Y$ ) for train and test set through both approaches are presented in Table 9. The main observation we found that the total effect of  $X_1$  on  $Y$ , and  $X_2$  on  $Y$  are approximately equal to the correlation coefficient between  $X_1$  on  $Y$ , and  $X_2$  on  $Y$ , respectively, which verify our theoretical concepts.

TABLE 9. Summary of effects of path model based on marketing data with path estimating structure regression equation  $Y = P_1X_1 + P_2X_2$ .

	Approach	Direct Effect	Indirect Effect	Total Effect
Train-Set	Classical Approach			
	$X_1$ to $Y$	0.5665	0.0096	0.5761
	$X_2$ to $Y$	0.0270	0.2010	0.2280
	Copula Approach			
	$X_1$ to $Y$	0.5665	0.0096	0.5761
	$X_2$ to $Y$	0.0271	0.2010	0.2281
Test-Set	Classical Approach			
	$X_1$ to $Y$	0.5665	0.0098	0.5763
	$X_2$ to $Y$	0.0270	0.2065	0.2335
	Copula Approach			
	$X_1$ to $Y$	0.5715	0.0044	0.5759
	$X_2$ to $Y$	0.0122	0.2084	0.2206

Note: (i) Total effect = Direct Effect + Indirect Effect.

(ii) In train set  $\hat{\rho}_{x_1x_2} = 0.3548$  and in test set  $\hat{\rho}_{x_1x_2} = 0.3646$ .

**Real Application 2:** Here, we consider the ‘bodyfat’ data set reposted in Penrose et al. [28]. It contains the percentage of body fat as a dependent variable along with other covariates which represent several physiologic measurements related to 252 men. This data set is also easily available in R-software under package ‘mfp’. In present study, we restrict ourself on only four variables namely, siri (body fat in percent), weight (in lbs), chest circumference (in cm), and neck circumference (in cm) from the ‘bodyfat’ data set. Here, we consider siri as a endogenous variable ( $Y$ ) and weight ( $X_1$ ), chest circumference ( $X_2$ ), and neck circumference ( $X_3$ ) as a exogenous variables. Path model and correlation structure of standardized variables are reflected in Fig 3. We apply the same procedure to

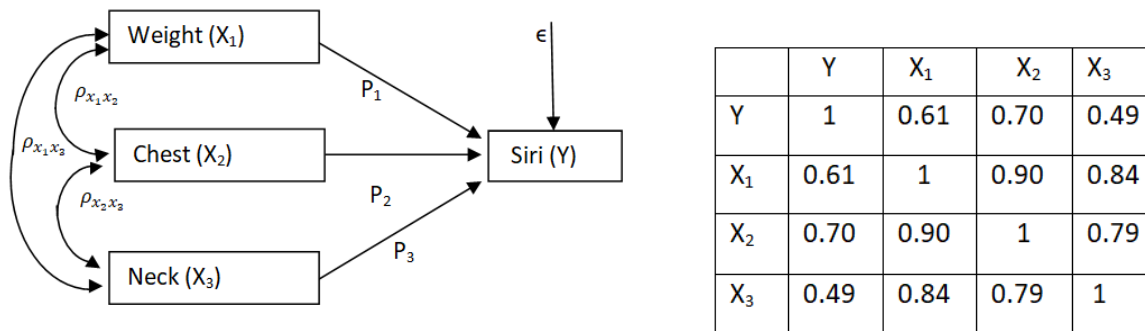


FIGURE 3. Path model (left) and correlation matrix (right).

TABLE 10. Summary of model evaluation Indices of bodyfat data.

	Indices	Classical Approach	Copula Approach
Train-Set	Mean of MSE	0.4940	0.4942
	SD of MSE	0.0332	0.0330
	AIC	-201	-201
	BIC	-180	-180
Test-Set	Mean of MSE	0.4990	0.4884
	SD of MSE	0.1347	0.1305
	AIC	-640	-645
	BIC	-619	-624

Note: Train set and test set contains 202 and 50 observations, respectively.

fit the model and obtained the model evaluation indices, direct, indirect, and total effect of variables for train and test set. All results of analyzed path model are reported in Table 10 and Table 11, respectively. From Table 10, it can be observe that the model

TABLE 11. Summary of effects of path model based on bodyfat data with path estimating structure regression equation  $Y = P_1X_1 + P_2X_2 + P_3X_3$  .

	Approach	Direct Effect	Indirect Effect	Total Effect
Train-Set	Classical Approach			
	$X_1$ to $Y$	0.0294	0.5831	0.6125
	$X_2$ to $Y$	0.8078	-0.1055	0.7023
	$X_3$ to $Y$	-0.168	0.6582	0.4902
	Copula Approach			
	$X_1$ to $Y$	0.0296	0.5833	0.6129
	$X_2$ to $Y$	0.8079	-0.1053	0.7026
Test-Set	Classical Approach			
	$X_1$ to $Y$	0.0294	0.5860	0.6154
	$X_2$ to $Y$	0.8078	-0.1050	0.7028
	$X_3$ to $Y$	-0.168	0.6557	0.4877
	Copula Approach			
	$X_1$ to $Y$	0.041	0.5758	0.6168
	$X_2$ to $Y$	0.7894	-0.0886	0.7008
$X_3$ to $Y$	-0.1603	0.6509	0.4906	

Note: (i) Total effect = Direct Effect + Indirect Effect.

(ii) In train set  $\hat{\rho}_{x_1x_2} = 0.8945$ ,  $\hat{\rho}_{x_1x_3} = 0.8301$ ,  $\hat{\rho}_{x_2x_3} = 0.7846$ , and in test set  $\hat{\rho}_{x_1x_2} = 0.8967$ ,  $\hat{\rho}_{x_1x_3} = 0.8234$ ,  $\hat{\rho}_{x_2x_3} = 0.7818$ .

evaluation indices; mean of MSE, SD of MSE, AIC, and BIC for train set are almost equal

but significance difference in test set supports the superiority of copula approach. We found the same interpretation of other results for this data also.

## 5. CONCLUSION

The present study explored the path analysis models when the endogenous (dependent) variable and exogenous (independent) variables are jointly associated with the elliptical copulas and investigated the efficacy of path models when direct and indirect effects are estimated using classical ordinary least squares and copula-based regression approaches in different scenarios. First, we developed the basic structure of the regression models in terms of copulas and explored some typical examples for the Gaussian and  $t$ -copulas. Based on the well-organized numerical scheme, we estimate the path coefficients using classical and copula approaches and also study the direct and indirect effects of exogenous variables in path models. This study suggest that the copula-based path analysis performs better over the classical approach in terms of mean of MSE, standard deviation of MSE, AIC, and BIC. In the copula approach, we observed that the total effect of each exogenous variable on the endogenous variable is approximately equal to their correlation coefficient. Apart from the present study, we intend to explore the distribution of the indirect effects using copula approach in near future.

### **Disclosure statement:**

No potential conflict of interest was reported by the author(s).

## REFERENCES

- [1] E. F. Acar, P. Azimae, and M. E. Hoque. Predictive assessment of copula models. *Canadian Journal of Statistics*, 47(1):8–26, 2019.
- [2] A. Ali, A. K. Pathak, and M. Arshad. Parametric and semiparametric approaches for copula-based regression estimation. *to appear in Hacet. J. Math. Stat.*, 2023.
- [3] A. Bauer. *Pair-copula constructions for non-Gaussian Bayesian networks*. PhD thesis, Technische Universität München, 2013.
- [4] T. Bouezmarni, F. Funke, and F. Camirand Lemyre. Regression estimation based on bernstein density copulas. 2014.
- [5] J. Braeken, P. Kuppens, P. De Boeck, and F. Tuerlinckx. Contextualized personality questionnaires: A case for copulas in structural equation models for categorical data. *Multivariate Behavioral Research*, 48(6):845–870, 2013.
- [6] J. Y. Choi and J. Seo. Copula-based redundancy analysis. *Multivariate Behavioral Research*, 57(6):1007–1026, 2022.
- [7] G. J. Crane and J. v. d. Hoek. Conditional expectation formulae for copulas. *Australian & New Zealand Journal of Statistics*, 50(1):53–67, 2008.

- [8] H. Dette, R. Van Hecke, and S. Volgushev. Some comments on copula-based regression. *Journal of the American Statistical Association*, 109(507):1319–1324, 2014.
- [9] J. C. Douma and B. Shipley. Testing model fit in path models with dependent errors given non-normality, non-linearity and hierarchical data. *Structural Equation Modeling: A Multidisciplinary Journal*, 30(2):222–233, 2023.
- [10] O. D. Duncan. Path analysis: Sociological examples. *American journal of Sociology*, 72(1):1–16, 1966.
- [11] C. Eckert and J. Hohberger. Addressing endogeneity without instrumental variables: An evaluation of the gaussian copula approach for management research. *Journal of Management*, 49(4):1460–1495, 2023.
- [12] G. Frahm, M. Junker, and A. Szimayer. Elliptical copulas: applicability and limitations. *Statistics & Probability Letters*, 63(3):275–286, 2003.
- [13] Z. R. Ghahroodi, R. A. Saba, and T. Baghfalaki. Gaussian copula-based regression models for the analysis of mixed outcomes: An application on household’s utilization of health services data. *Journal of Statistical Theory and Applications*, 18(3):182–197, 2019.
- [14] Ö. İ. Güneri, A. Gökteş, and U. Kayalı. Path analysis and determining the distribution of indirect effects via simulation. *Journal of Applied Statistics*, 44(7):1181–1210, 2017.
- [15] Y. He, L. Zhang, J. Ji, and X. Zhang. Robust feature screening for elliptical copula regression model. *Journal of Multivariate Analysis*, 173:568–582, 2019.
- [16] C.-F. Huang and S.-L. Hsueh. A study on the relationship between intellectual capital and business performance in the engineering consulting industry: A path analysis. *Journal of civil engineering and management*, 13(4):265–271, 2007.
- [17] G. T. M. Hult, J. F. Hair Jr, D. Proksch, M. Sarstedt, A. Pinkwart, and C. M. Ringle. Addressing endogeneity in international marketing applications of partial least squares structural equation modeling. *Journal of International Marketing*, 26(3):1–21, 2018.
- [18] S. Karlin, E. Cameron, and R. Chakraborty. Path analysis in genetic epidemiology: a critique. *American journal of human genetics*, 35(4):695, 1983.
- [19] D. Kim and J.-M. Kim. Analysis of directional dependence using asymmetric copula-based regression models. *Journal of Statistical Computation and Simulation*, 84(9):1990–2010, 2014.
- [20] G. Kim, M. J. Silvapulle, and P. Silvapulle. Comparison of semiparametric and parametric methods for estimating copulas. *Computational Statistics & Data Analysis*, 51(6):2836–2850, 2007.
- [21] E. Kole, K. Koedijk, and M. Verbeek. Selecting copulas for risk management. *Journal of Banking & Finance*, 31(8):2405–2423, 2007.
- [22] N. Kolev and D. Paiva. Copula-based regression models: A survey. *Journal of statistical planning and inference*, 139(11):3847–3856, 2009.
- [23] P. Krupskii, B. R. Nasri, and B. N. Remillard. On factor copula-based mixed regression models. *arXiv preprint arXiv:2305.02789*, 2023.
- [24] Y. K. Leong and E. A. Valdez. Claims prediction with dependence using copula models. *Insurance: Mathematics and Economics*, 2005.
- [25] H. Noh, A. E. Ghouch, and T. Bouezmarni. Copula-based regression estimation and inference. *Journal of the American Statistical Association*, 108(502):676–688, 2013.

- [26] S. Park and S. Gupta. Handling endogenous regressors by joint estimation using copulas. *Marketing Science*, 31(4):567–586, 2012.
- [27] R. A. Parsa and S. A. Klugman. Copula regression. *Variance Advancing and Science of Risk*, 5:45–54, 2011.
- [28] K. W. Penrose, A. Nelson, and A. Fisher. Generalized body composition prediction equation for men using simple measurement techniques. *Medicine & Science in Sports & Exercise*, 17(2):189, 1985.
- [29] M. Pitt, D. Chan, and R. Kohn. Efficient bayesian inference for gaussian copula regression models. *Biometrika*, 93(3):537–554, 2006.
- [30] A. Sheikhi, F. Arad, and R. Mesiar. A heteroscedasticity diagnostic of a regression analysis with copula dependent random variables. *Brazilian Journal of Probability and Statistics*, 36(2):408–419, 2022.
- [31] M. Sklar. Fonctions de repartition an dimensions et leurs marges. *Publ. inst. statist. univ. Paris*, 8:229–231, 1959.
- [32] F. A. Smith, J. H. Brown, and T. J. Valone. Path analysis: a critical evaluation using long-term experimental data. *The American Naturalist*, 149(1):29–42, 1997.
- [33] F. K. Stage, H. C. Carter, and A. Nora. Path analysis: An introduction and analysis of a decade of research. *The journal of educational research*, 98(1):5–13, 2004.
- [34] E. A. Sungur. Some observations on copula regression functions. *Communications in Statistics—Theory and Methods*, 34(9-10):1967–1978, 2005.
- [35] P. Vellaisamy and A. Pathak. Copulas and regression models. *Journal of the Indian Statistics Association*, 52:113–134, 2014.
- [36] C. E. Werts and R. L. Linn. Path analysis: Psychological examples. *Psychological Bulletin*, 74(3):193, 1970.
- [37] W. Wiedermann, D. Kim, E. A. Sungur, and A. von Eye. *Direction dependence in statistical modeling: Methods of analysis*. John Wiley & Sons, 2020.
- [38] S. Wright. Correlation and causation. 1921.