

CERN LIBRARIES, GENEVA



CM-P00044378

STUDY OF GAMOW-TELLER TRANSITIONS RELATED TO THE TWO-NEUTRON  
EMISSION MODE AT ISOLDE

P. Dessagne<sup>1</sup>, M. Dufour<sup>1</sup>, A. Huck<sup>1</sup>, G. Klotz<sup>1</sup>, A. Knipper<sup>1</sup>,  
G. Marguier<sup>2</sup>, C. Miché<sup>1</sup>, C. Richard-Serre<sup>3</sup> and G. Walter<sup>1</sup>

Strasbourg<sup>1</sup> - Lyon<sup>1</sup> - Isolde<sup>3</sup> Collaboration

Summary

The purpose of the experiment is to locate the states involved in the two-neutron emission mode in neutron rich light nuclei. The experimental device consists of a double time of flight system with efficient neutron counters and gamma detection. Information about the mechanism responsible for the two particle emission will be also collected.

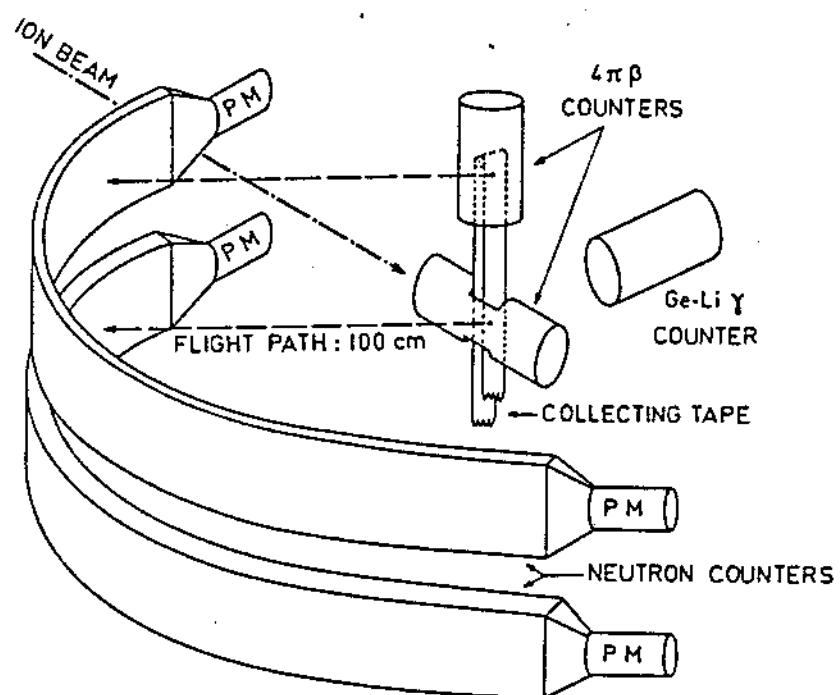
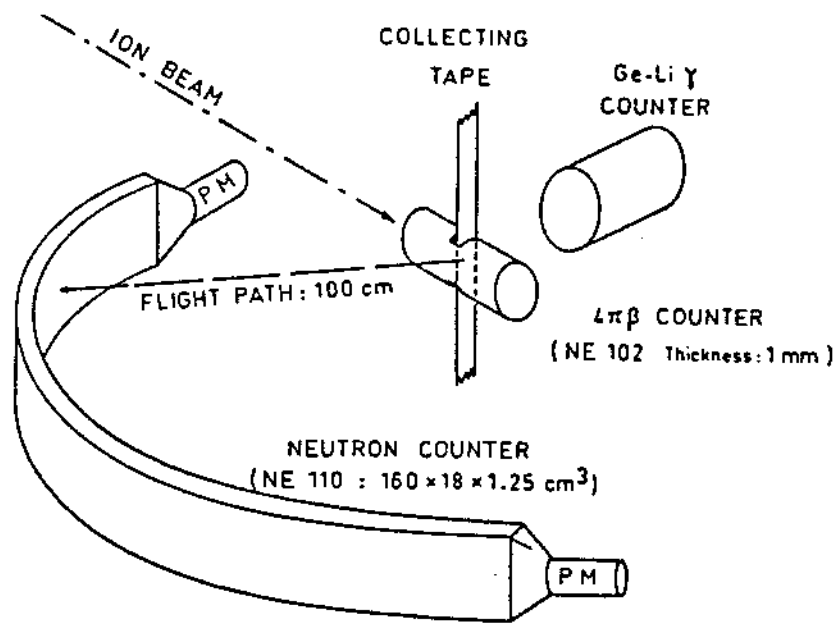


Figure 1 : Experimental set up used previously for In detection