

Talk presented at the International Workshop on Future Linear
Colliders (LCWS2016), Morioka, Japan, 5-9 December 2016.
C16-12-05.4

CALICE Si/W ECAL: Endcap structures and cooling system

D. Grondin¹, J. Giraud and J.-Y. Hostachy

*Laboratoire de Physique Subatomique et de Cosmologie -
Université Grenoble-Alpes, CNRS/IN2P3, Grenoble, France*

Abstract

The next major project of particle physics will be the International Linear Collider: a linear accelerator in which electrons and positrons will collide with energies of 500 to around 1000 billion electronvolts. The LPSC-Grenoble is involved in the R&D activities for the International Large Detector (ILD) and in particular in the electromagnetic calorimeter (ECal): i.e. design of the fastening and cooling systems, design of the mechanics of the end-caps, test of EM prototypes, tooling and integration of the end-caps.

¹Corresponding author. E-mail: Denis.Grondin@lpsc.in2p3.fr

Contents

1	Introduction	3
2	R&D in mechanics	3
2.1	General architecture of EM end-caps: advanced drawings and numerical simulations	3
2.2	Fastening of the electromagnetic calorimeter	6
2.3	The local cooling system	6
2.4	The global cooling system	9
2.5	Handling tool and integration	10
3	Conclusion	11
4	Acknowledgements	12

1 Introduction

The International Linear Collider (ILC) is a project for the future electron and positron collider which should be built in North of Japan. Our contribution is essentially oriented towards research and development (R&D) in mechanics, in continuity with the history and the know-how of electromagnetic (EM) calorimetry group in Grenoble, France. We are members of the CALICE (CALorimeter for the LInear Collider Experiment) collaboration [1], which brings together 57 institutes, 17 different countries from four continents (Africa, America, Asia and Europe).

2 R&D in mechanics

The mechanical studies were carried out in collaboration with the LLR² of Palaiseau, France and the LAL³ d’Orsay, France. These studies concern a silicon tungsten electromagnetic calorimeter featuring Carbon Fibre Reinforced Polymer (CFRP)/Tungsten structures and silicon detectors, called briefly Si/W ECAL [2].

2.1 General architecture of EM end-caps: advanced drawings and numerical simulations

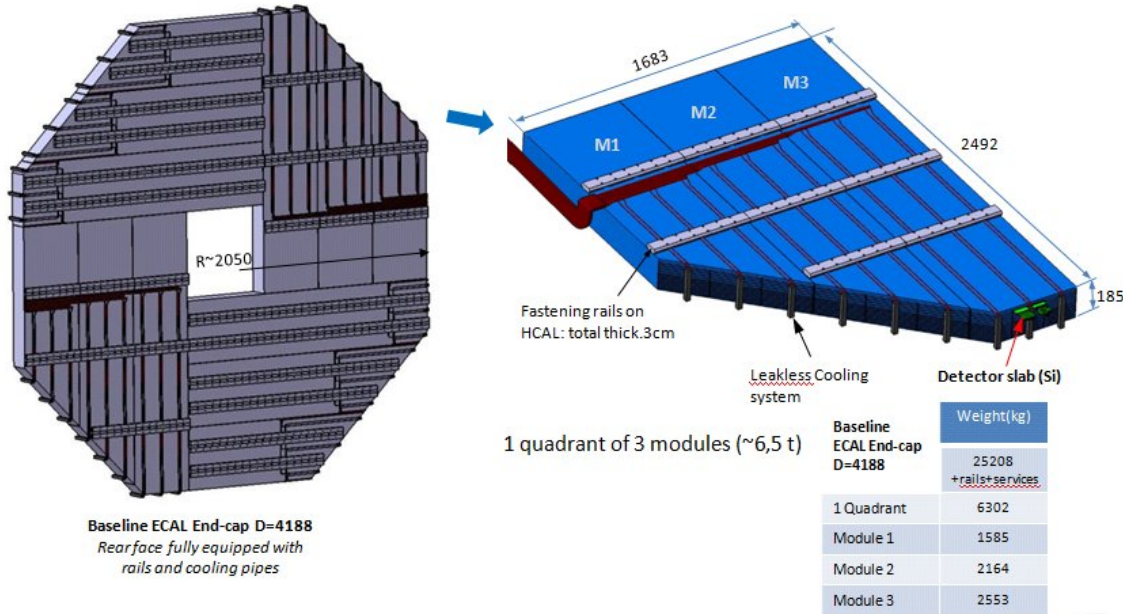


Figure 1: Design of the ECAL end-cap.

²Laboratoire Leprince-Ringuet

³Laboratoire de l’Accélérateur Linéaire

The weight of each end-cap is about 25.5 tons. So numerical simulations have been undertaken to study the mechanical behavior of this sub-detector divided in 4 quadrants composed of 3 modules each (see fig. 1). There are 3 alveoli rows per module, each containing 15 alveoli (i.e. 2×540 alveoli in total). The alveolar structure is made by moulding pre-impregnated carbon fibre and epoxy onto tungsten sheets. Free spaces of the alveolar structure allow to insert detector units called detector slabs (see fig. 2 and section 2.3). One detector slab consists

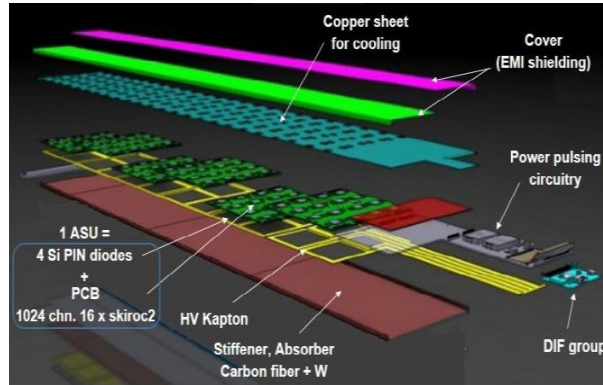


Figure 2: Exploded view of half a long slab.

of two active layers (silicon diode wafers + PCB) mounted on each side of an H-shaped supporting structure (including tungsten absorbers too), and shielded on both sides with aluminum foils. In addition, two copper sheets are placed on the two printed circuit boards (PCBs) of the active layers. These copper sheets allow the heat transfer between electronic chips embedded in the PCBs and the cooling heat exchanger located at the end of each slab.

The mechanical stiffness of the composite support structure and the deformations have already been the subject of studies followed by advanced drawings. The production of components such as thick composite plates (13 mm thick) with metal inserts for the fixing of the modules made it possible to test the composite-metal interface system of the whole ECal on the hadronic calorimeter (see fig. 3 and section 2.2).

A new architecture that would avoid certain dead zones is being validated. This new structure requires modules of about 2.5 m long and therefore requires the construction of prototypes in order to test the feasibility of such a solution (see fig. 4). The production of composite layers of three alveoli revealed the need to evolve the molding. Improvements on molds, cores, type and implementation of the prepreg have been carried out.

Because of the problem of bending stress on the alveolar skin, a campaign of shearing tests has been undertaken on representative specimens. It showed a progressive loss of stiffness of the composite structure (see fig. 5) which could occur due to the risk during integration and transport and also seism. The

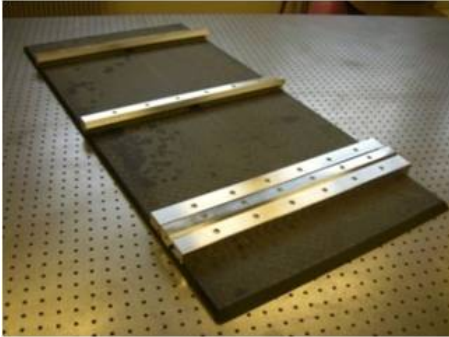


Figure 3: 15 mm thick carbon HR plate with inserts and aluminum rails.



Figure 4: One layer molded (3 alveoli, L = 2.490 m, wall thickness 0.5 mm).

problem can be solved by increasing the number of external plies but it will have an impact on the ECal dead zones. The initial results validate in a first step the theoretical model of the glued structures. These tests will thus make it possible

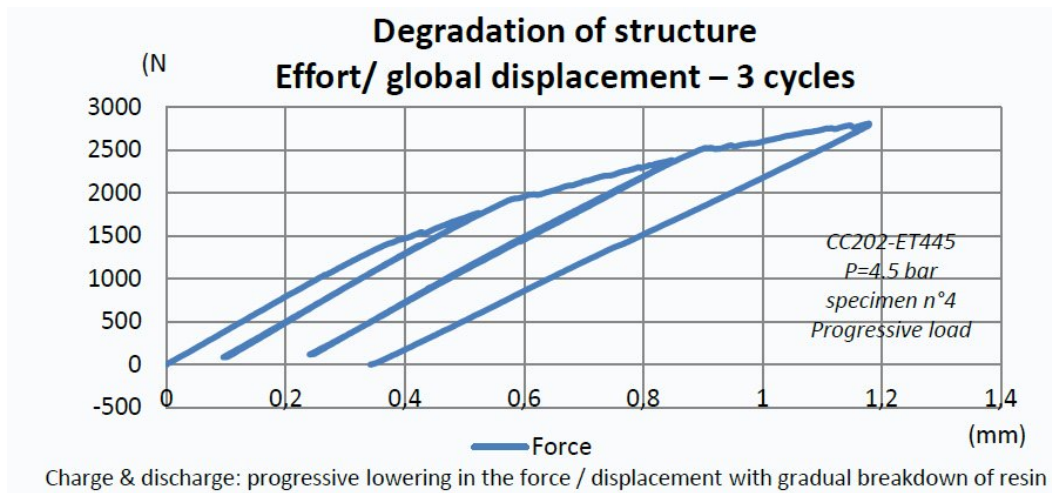


Figure 5: Shearing test: progressive loss of stiffness for the dummy structure.

to adapt the simulation parameters by finite elements in order to simulate the whole structure. Additional tests of strain, on the resin in particular, will be conducted in order to validate definitively the model.

2.2 Fastening of the electromagnetic calorimeter

Only about 3 cm are available between the barrel or the end-caps of the electromagnetic and the hadronic calorimeter, for the passage of fluids and controls. Therefore the fastening system is also a challenge. Studies have been carried out to optimize the installation of the rails (either in aluminum or composite material) in order to minimize the overall deformation of the various modules (see fig. 6). This has led to the construction of double-row and small-section rails (see fig. 7), making it possible to secure the load on two rails for the majority of the 12 modules.

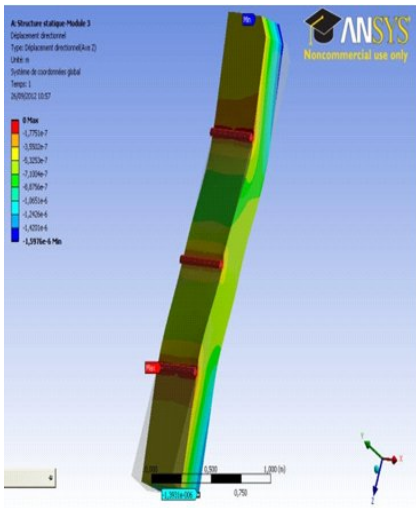


Figure 6: Composite simulation: optimisation of rail localisation and module displacements.

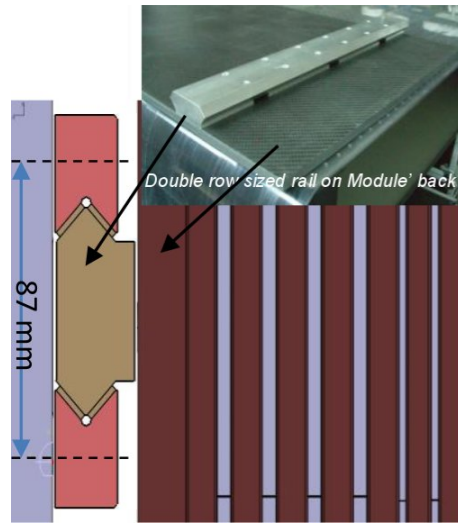


Figure 7: Fastening system on HCAL.

Also, the pull-out resistance of the rails and support inserts has been optimized in order to reduce the dead material at the rear of the modules.

2.3 The local cooling system

Finally, a cooling device is necessary to evacuate the heat produced by the large number of electronic channels. Here again the small space available (the electromagnetic calorimeter must remain as compact as possible) is obviously a source of difficulty. The cooling system is required to operate at temperatures between 20°C and 40°C with a tolerance of $\pm 2.5^{\circ}\text{C}$. In order to meet these requirements, a sub-atmospheric leak less water-cooling system has been chosen. In case of leaks in the cooling circuit, external air enters into the circuit preventing thus the cooling water to spill out. Therefore, the detector electronics will not be exposed to water spray.

The current baseline design of ILD Si/W ECal [3] with highly integrated layers designed for minimal thickness and cooling capacity gives the global value of thermal power to be dissipated. The system includes 40 identical barrel modules and 24 end-cap modules resulting in 8160 layers to be connected to heat exchangers. All slabs together contain $\sim 75,000$ Active Sensor Unit (ASU) supporting 300,000 wafers and PCBs carrying 1.2 million SKIROC ASICs. The SKIROC ASIC dissipates $25 \mu\text{W}/\text{channel}$ for a total of 77 million channels. Note at this point that the SKIROC ASICs will be power pulsed with a duty cycle of 1%.

Taking into account power pulsing, the total heat dissipated by 256 ASICs and two DIF cards amounts to $\sim 1 \text{ W}$ per slab, it leads to around 4.6 kW for the whole Si/W ECAL. This heat must not be released to the surrounding air nor being conducted to the detector itself, where the temperature has to be kept in the vicinity of 25°C to 30°C . Hence, one water circuit per column of each module has been foreseen to remove the heat from the front end electronics.

The copper drain is adapted to the Detector InterFace (DIF) card to be in contact with FPGA (i.e. Field-Programmable Gate Array). With the nominal FPGA power of 300 mW, the power to be dissipated per slab in the barrel is 1 W. The performance of the local cooling system has been simulated for both barrel and end-cap configuration covering the power range of the FPGA (i.e. from 300 mW up to 2 W) and meet thermal requirements.

For the thermal tests, the so-called EUDET module was used (see fig. 8).

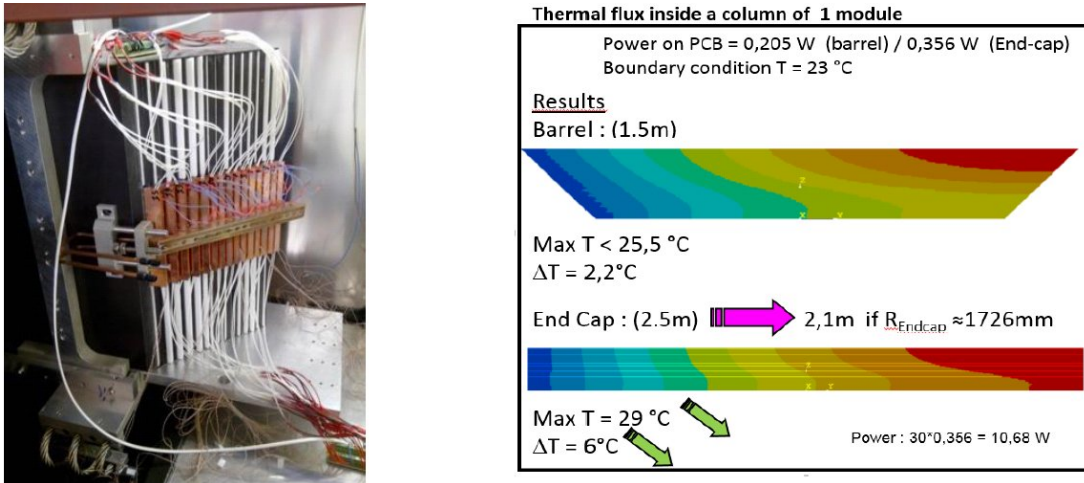


Figure 8: Left: EUDET module equipped for thermal tests with 15 dummy slabs directly connected to the heat exchanger. Right: Thermal analysis of module: the passive cooling is satisfactory with maximum variation of temperature of 2.2°C for the barrel modules and 6°C for the longest end-cap modules.

This technological prototype for a Si/W ECAL module (funded in part by

the EUDET project) corresponds in size to an ILD Si/W ECAL barrel module except for the number of columns (3 instead of 5). The central column of the EUDET module is equipped with 15 slabs, which mimic the final local cooling system. Thermal power values applied on slabs from 15 W to 30 W show the limit of heat load that can be produced by evolution of electronics consumption.

The power dissipation is distributed along a detector slab concentrate at the location of the readout ASICs. The goal is to transfer the residual heat as uniformly as possible from the ASU chain (~ 1500 mm length, 180 mm wide) up to a cold block located at one slab end. The challenge is the thermal drain thickness, which should be close to the thickness obtained by simulations (i.e. 0.5 mm). The second aspect is to optimize the thermal contact between the copper and each ASIC, even if the ASIC and its bonded wires are protected inside the PCB by an isolating resin. One proposed solution is to use a thermal conductive agent.

Considering the power dissipation of the DIF board, a fastening assembly to the copper drain has been developed. To improve the heat transfer along the copper drain, in particular the local contact between ASICs and the copper shield, several thermal conductive agents have been tested with specialized companies. The most appropriate solution for now is conductive grease.

For the connection of pipes to each slab, it is done by the way of cold copper blocs, brazed on pipes, inserted between the 2 copper sheets of the slab, in the free space let between the 2 DIF cards (see fig. 9). Then, there is one cooling



Figure 9: Left: Design of connection of heat exchangers with one copper drain extremity. Middle: heat exchanger for 15×2 connections. Right: location of cooling system on one Si/W ECal barrel module.

water exchanger in front of each column. The prototype has been dimensioned to fit EUDET module dimensions, with its specific shape (trapezoidal), and has been tested. The slabs are therefore cooled down only at the extremity which is the part that supports the most important number of electronic components to cool.

Figure 10 shows the first tests results in line and was compared with simulations. These tests demonstrate the important thermal inertia of the system to reach the foreseen steady state. Four days of stabilisation are the minimal time to avoid transient effect. The cooling is satisfactory with a maximum variation

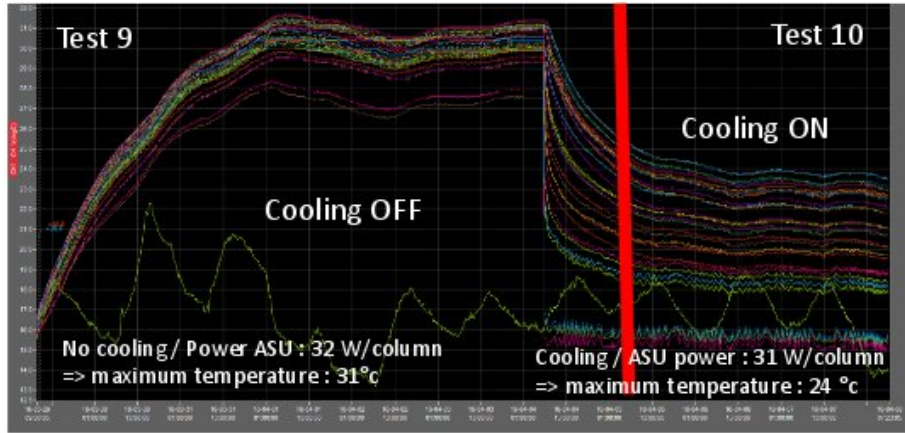


Figure 10: Thermal test results

of temperature of 2.2°C for the barrel modules and therefore 6°C for the longest end-cap modules. These cooling tests validate a correlation with simulations (transfer coefficients, contacts, conductivities, design of copper foils, geometries), and check the thermal dissipation behavior of the system.

2.4 The global cooling system

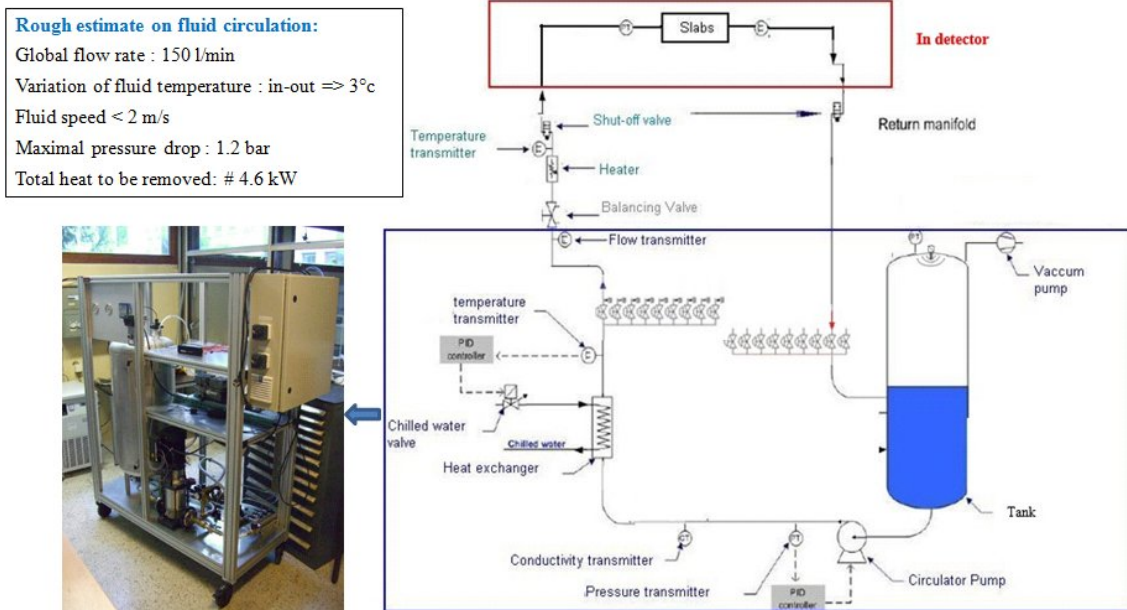


Figure 11: Left: cooling station in construction. Right: global cooling system.

The detailed study of the global installation (circuits, sensors, cooling sta-

tion, valves, vacuum pumps, etc.) and integration of the pipelines network are underway (see fig. 11). A full scale leak less loops representative of the three specific real path types (9 m, 10 m and 13 m), through which the detector would be cooled, incorporating the head losses due in particular to the crossing of the other detectors, will be tested. This installation will be implemented at LPSC-Grenoble during spring 2017 (see fig. 12).

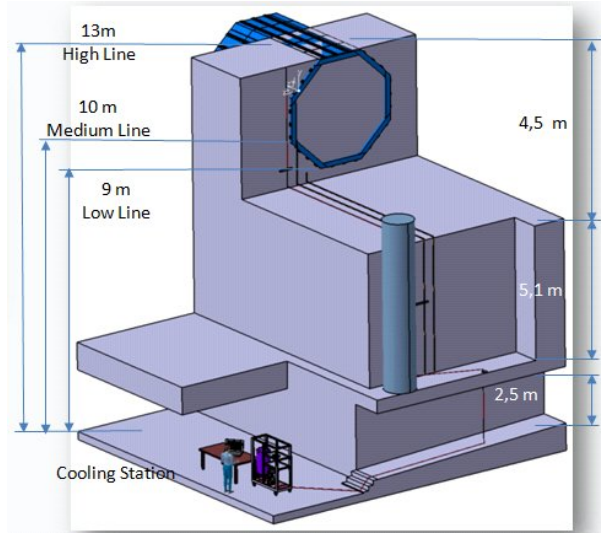


Figure 12: Cooling test area with a drop of 13 m at LPSC.

2.5 Handling tool and integration

Heavy equipment handling, transport and positioning of modules is underway (see fig. 13). It will also make possible to test the fastening system and the integration of the first cooling networks on the intrados of the modules.

The different steps of the end-cap integration on site: assembly and test of modules and quadrants, quadrant assembly on cradles, assembly of quadrants on hadronic end-caps, ECal end-cap general cooling integration on HCal, have been studied in detail, allowing to define the tooling equipment (see fig. 14), surfaces, time schedule etc., needed for each operation.

E.g.:

Estimation of surface needed for operations

- 500 m² for assembly of modules, specific structures, services & slabs detectors storage
- 120 m² zone for end-cap insertion on each side of whole structure in assembly hall

Optimistic time schedule

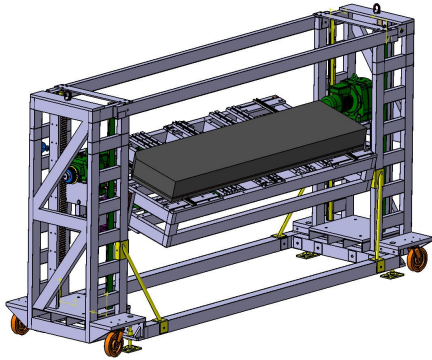


Figure 13: Heavy tool for module integration.

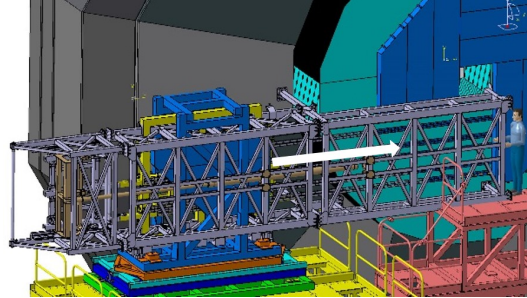


Figure 14: Transfer of ECAL quadrant on quadrant insertion tool (ALICE like).

- ECAL integration time of one end-cap: 20 weeks on ILC Campus / 8 weeks in assembly hall
- Total time for the two end-caps: 56 weeks

3 Conclusion

This report concludes, to a large extent, the prototyping phase of long CFRP alveolar structure and the design phase of a highly integrated and efficient cooling for the Electromagnetic Calorimeter which constitutes therefore a milestone within the WP14 AIDA2020 program (cooling topic). Reliable estimation of cooling needs can be obtained by the flexible thermal model of tungsten / carbon fiber calorimeters. The design progression highlights the technological challenge to construct such compact and highly efficient cooling systems embedded in wide composite structures. This concerns in particular the integration of the heat exchanger onto the slabs front end. All elements of the cooling system represent technology reaching beyond nowadays state-of-the-art. The design allows for the validation of important engineering issues like heat dissipation of the front end electronics embedded into the calorimeter layers, mainly by passive cooling. In parallel to this study, the construction of the large leak less cooling loop will be implemented during spring 2017. The construction of an heavy tool for module integration will allow in 2017 to perform tests on long CFRP structures and on fastening systems too. Again, the progress in this context will benefit from the collaboration between CALICE and other calorimeter collaborations (ATLAS HGTD, CMS HGCAL). In conclusion, the CFRP alveolar structure development and the integrated sub-atmospheric water-cooling system will constitute a significant step towards the construction of a Si/W electromagnetic calorimeter for the ILC detector.

4 Acknowledgements

The different studies and prototype constructions presented in this article have been possible with the help of the financial support of Advanced European Infrastructures for Detectors at Accelerators, namely AIDA and AIDA-2020 projects.



This project has received funding from the European Union's Horizon 2020 research and innovation programme under grant agreement No 654168.



AIDA²⁰²⁰

References

- [1] CALICE Collaboration, <https://twiki.cern.ch/twiki/bin/view/CALICE/WebHome>
- [2] R. Poeschl, R&D for a highly granular silicon tungsten electromagnetic calorimeter in J.Phys. Conf. Ser., vol. 587, p. 012032.
- [3] T. Behnke and all, International Linear Collider - Detector Baseline Document, DESY / FERMILAB / CERN, 2013