



In times when hospital staff have to be creative and flexible to adapt to new challenges, LG can help. With the Peerless-AV® SmartMount® SR560M Flat Panel Cart, information can be communicated using any of six different LG hospital TVs at the exact spot where it is needed.

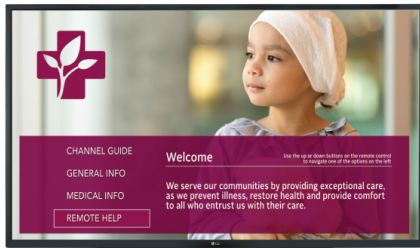
Whether giving directions to lines of incoming patients, educating staff teams on important procedures in impromptu meeting areas or enhancing patient experiences by providing entertainment in an unexpected location, these LG TVs will move safely and smoothly exactly where you need them to be.

LG Healthcare TVs Add Mobility

MOUNTABLE LG TVs and PEERLESS-AV® DURABLE FLAT PANEL CART

Compatible LG Healthcare TV Models

Peerless-AV® Flat Panel Cart

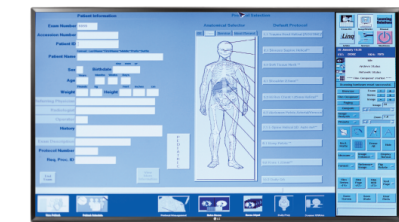


UT672M Series Smart TVs 55" | 49" | 43"

- 3840 x 2160 4K UHD Resolution
- Third-Party Pillow Speaker Ready
- Nurse Call System Ready
- UL Hospital Grade Listed
- Pro:Centric® Direct Application
- Pro:Idiom® DRM

SMARTMOUNT®

The SR560M SmartMount® Flat Panel Cart has the perfect combination of mobility, appealing design, display height adjustment and a pre-assembled base ensure quick assembly. It provides a rigid, attractive structure that fits into any décor, and the 4" casters and the UL® certification make it easy to move safely from room to room.



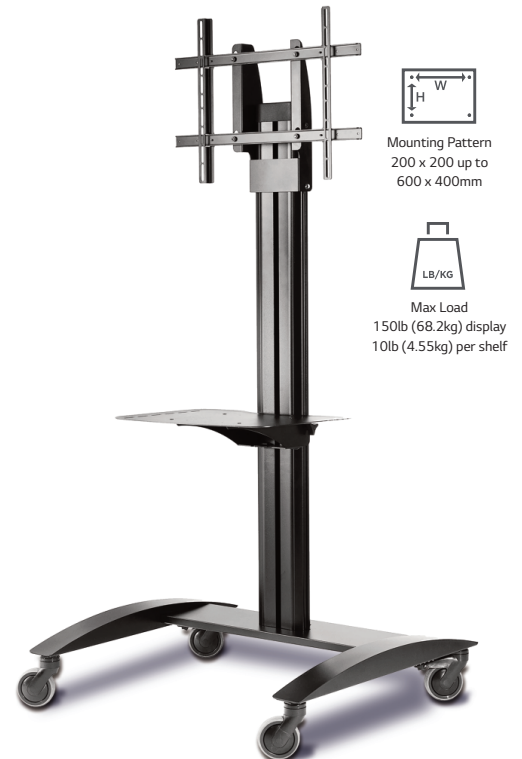
LT572M Series TVs 43" | 32"

- 1920 x 1080 FHD Resolution (43")
- 1366 x 768 HD Resolution (32")
- Third-Party Pillow Speaker Ready
- Nurse Call System compatible
- UL Hospital Grade Listed
- Pro:Centric Value Application
- Pro:Idiom DRM



LT662M Series Smart TVs 32"

- 1366 x 768 HD Resolution
- Third-Party Pillow Speaker Ready
- Nurse Call System Ready
- UL Hospital Grade Listed
- Pro:Centric Direct Application
- Pro:Idiom DRM



Copyright 2020 ©LG Electronics USA, Inc., 2000 Millbrook Drive Lincolnshire, IL 60069, USA. All rights reserved. LG and the LG logo are registered trademarks of LG Corp. All other products and brand names are trademarks or registered trademarks of their respective companies. Designs, features, and specifications are subject to change without notice. All screen images are simulated.

FLY_HEALTH_Peerless_TVmobility_042007_LR

