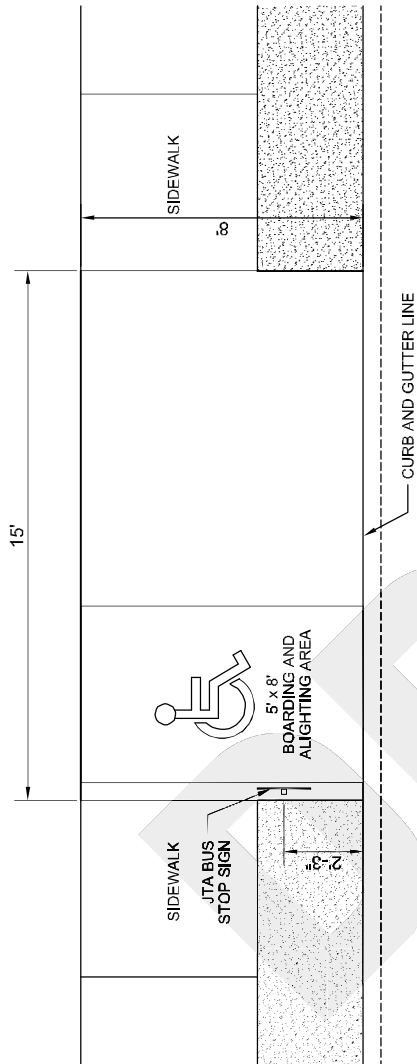


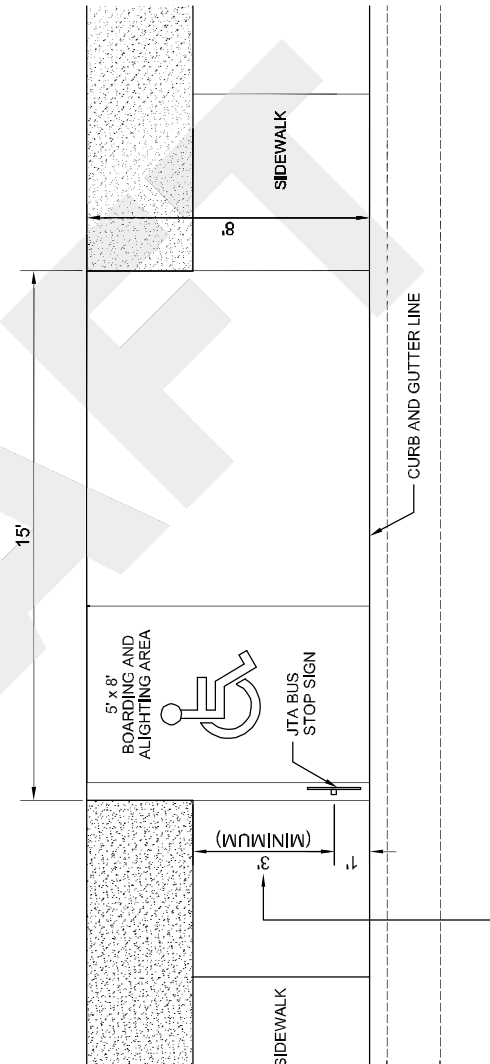
## 4.2 BUS STOP STANDARDS

### 4.2.1 Bus Stop Layouts



#### PROTOTYPE 1A (RURAL) – STOP PAD 8' X 15'

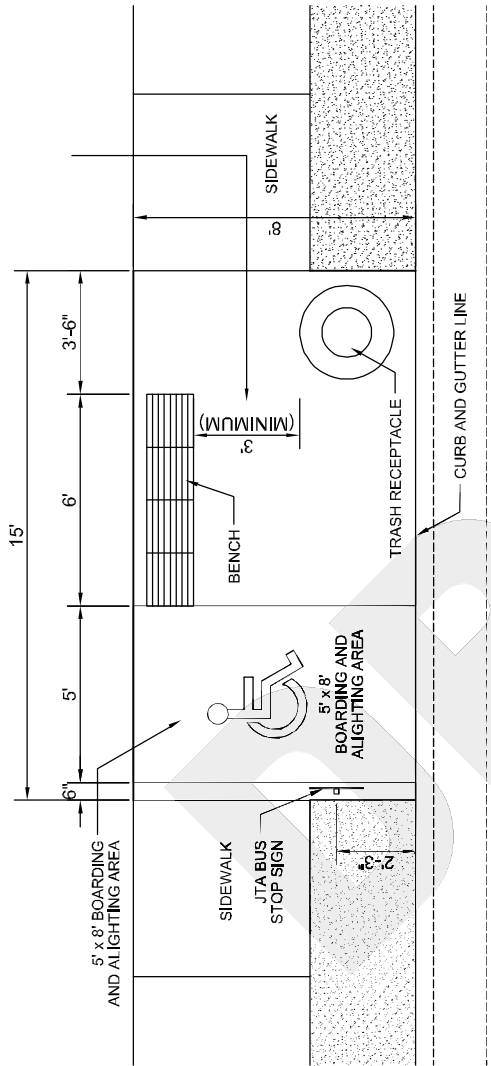
Note: Check the jurisdiction's requirement for sidewalk minimum. Refer to FDOT or COJ.



#### STOP PAD 8' x 15' : PROTOTYPE 1B (RURAL)

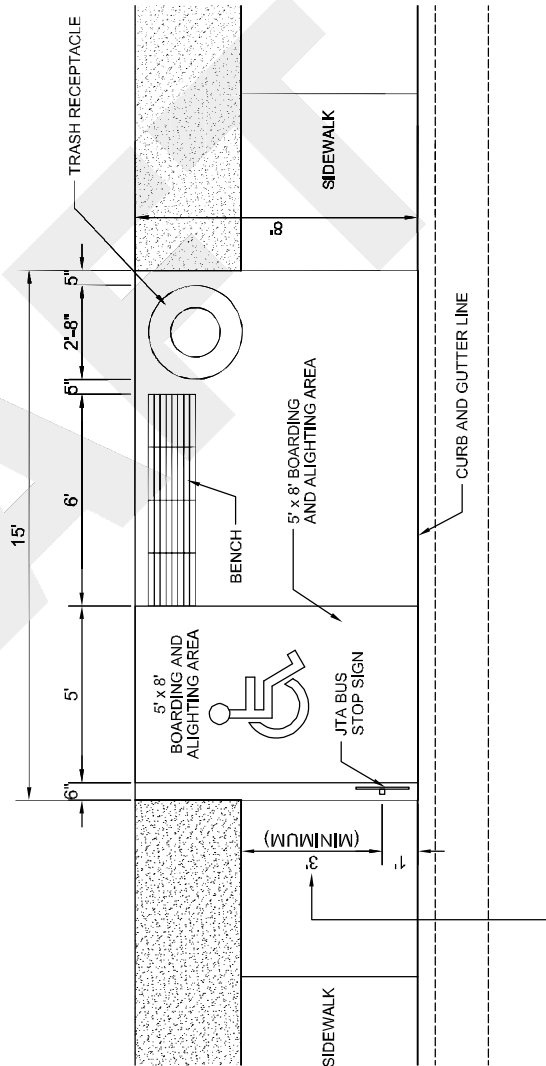
#### PROTOTYPE 1B (RURAL) – STOP PAD 8' X 15'

Note: Check the jurisdiction's requirement for sidewalk minimum. Refer to FDOT or COJ.



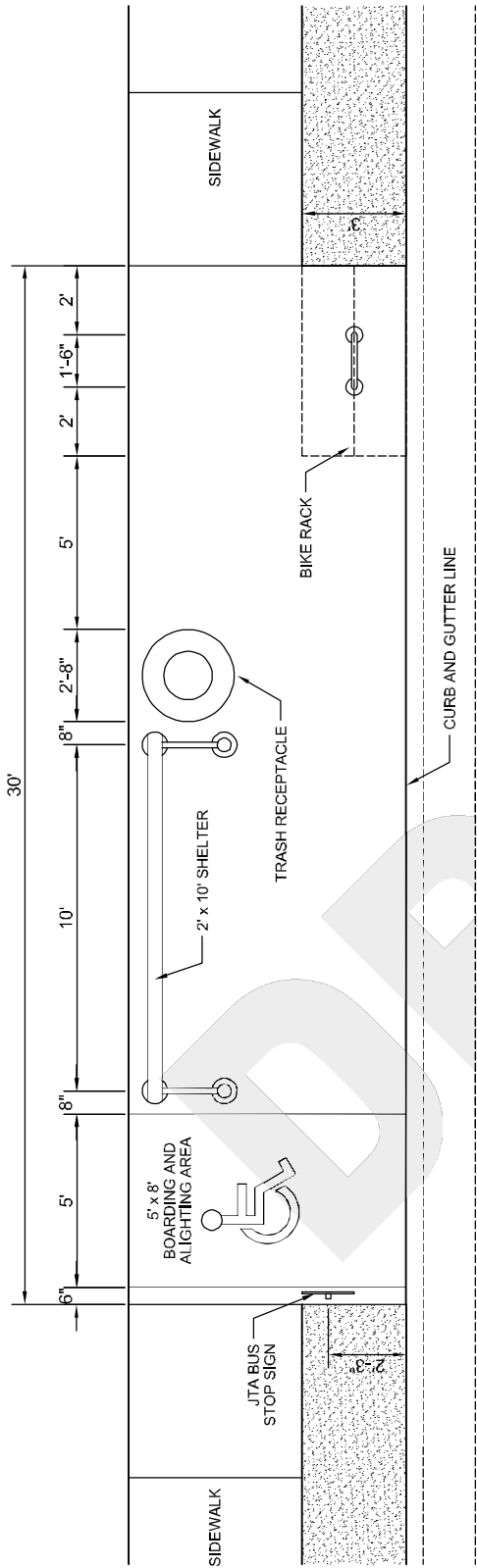
### PROTOTYPE 2A (LOCAL) - STOP PAD 8' X 15'

Note: Check the jurisdiction's requirement for sidewalk minimum. Refer to FDOT or COJ.



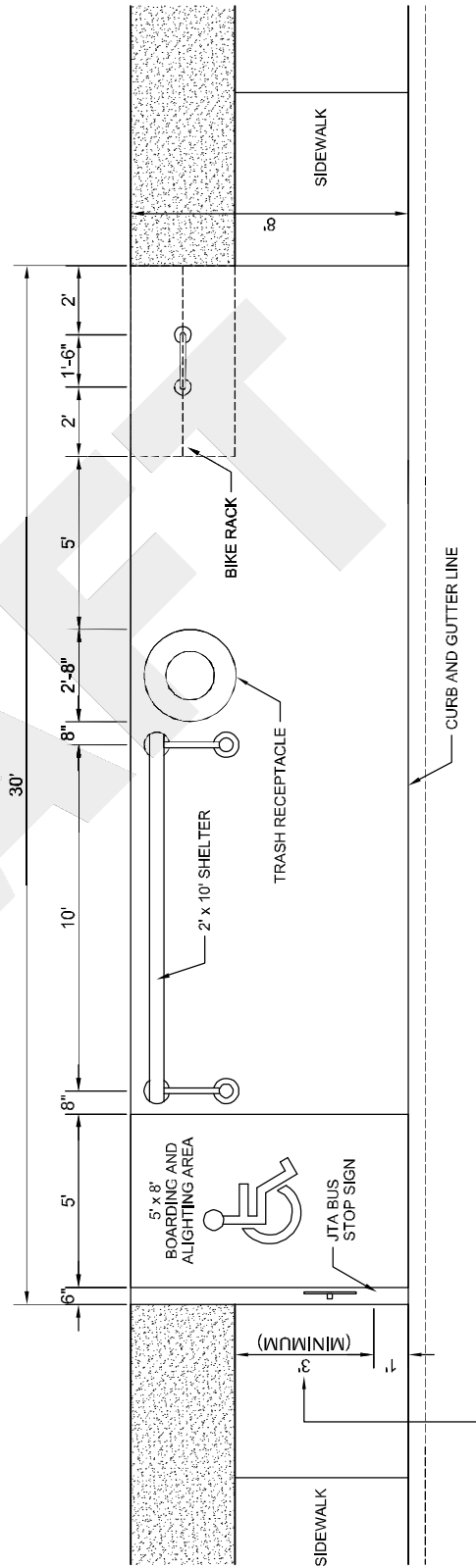
### PROTOTYPE 2B (LOCAL) - STOP PAD 8' X 15'

Note: Check the jurisdiction's requirement for sidewalk minimum. Refer to FDOT or COJ.



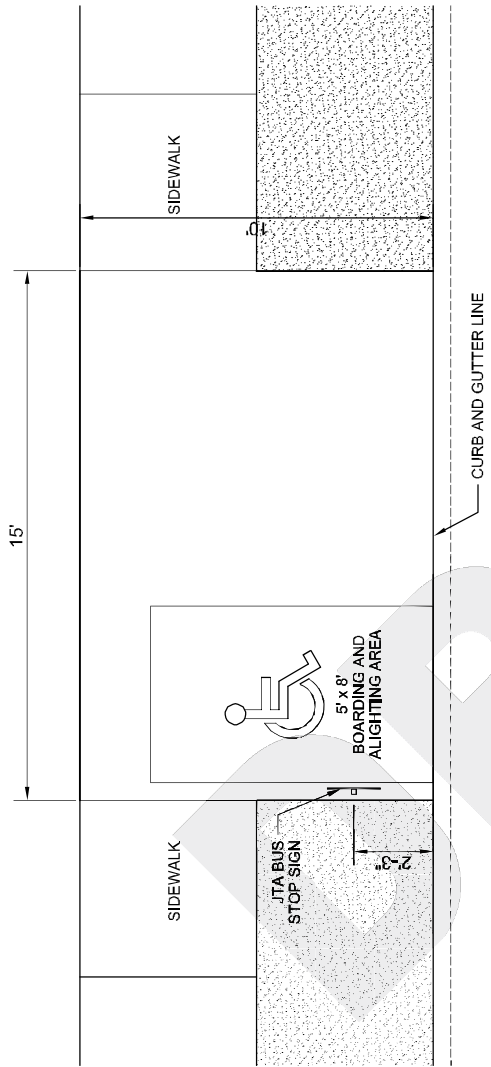
**PROTOTYPE 3A (LOCAL) – STOP PAD 8' X 30'**

Note: Check the jurisdiction's requirement for sidewalk minimum. Refer to FDOT or COJ.



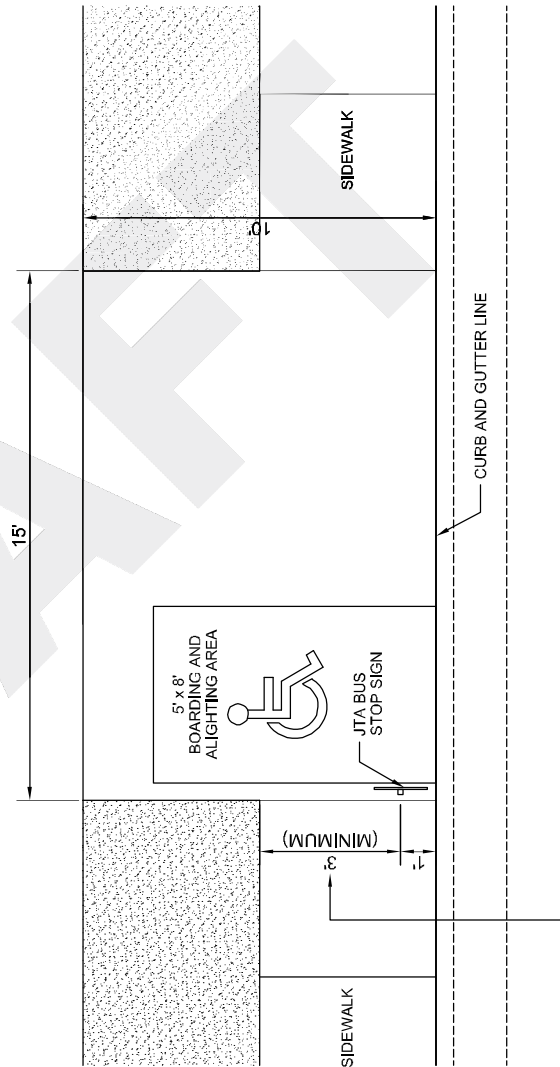
**PROTOTYPE 3B (LOCAL) – STOP PAD 8' X 30'**

Note: Check the jurisdiction's requirement for sidewalk minimum. Refer to FDOT or COJ.



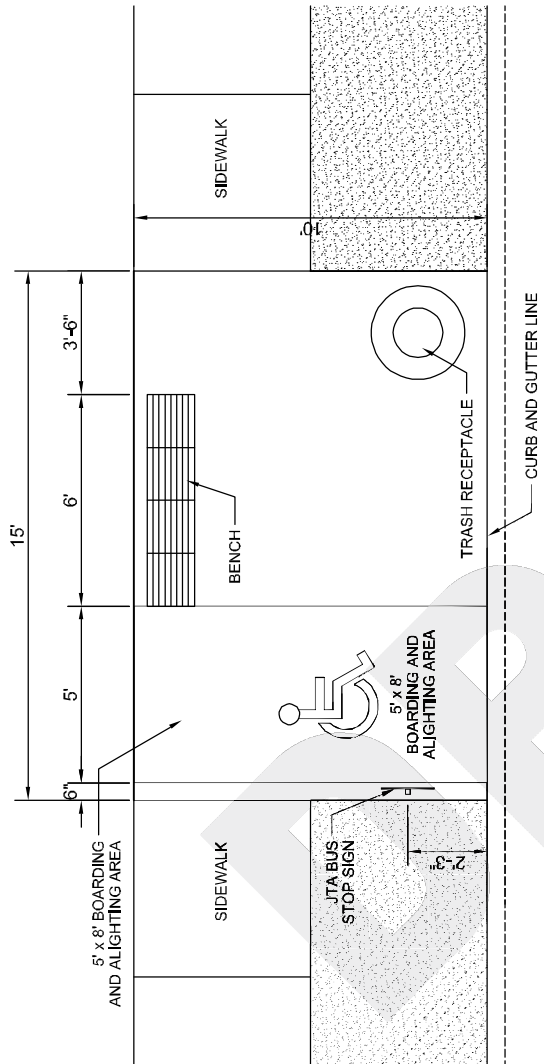
**PROTOTYPE 4A (SUBURBAN) - STOP PAD 10' X 15'**

Note: Check the jurisdiction's requirement for sidewalk minimum. Refer to FDOT or COJ.



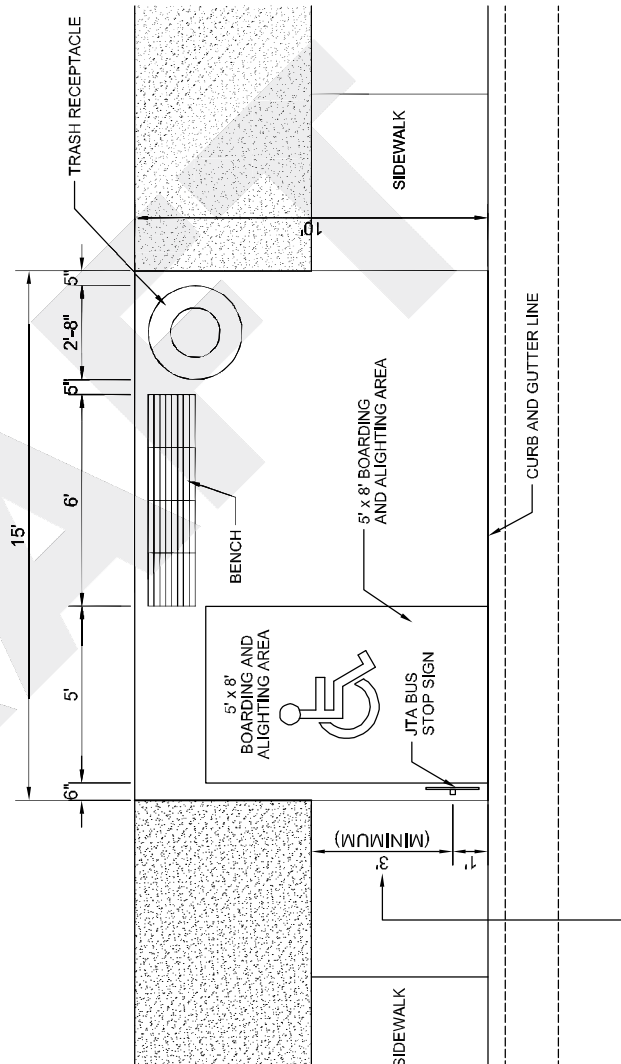
**PROTOTYPE 4B (SUBURBAN) - STOP PAD 10' X 15'**

Note: Check the jurisdiction's requirement for sidewalk minimum. Refer to FDOT or COJ.



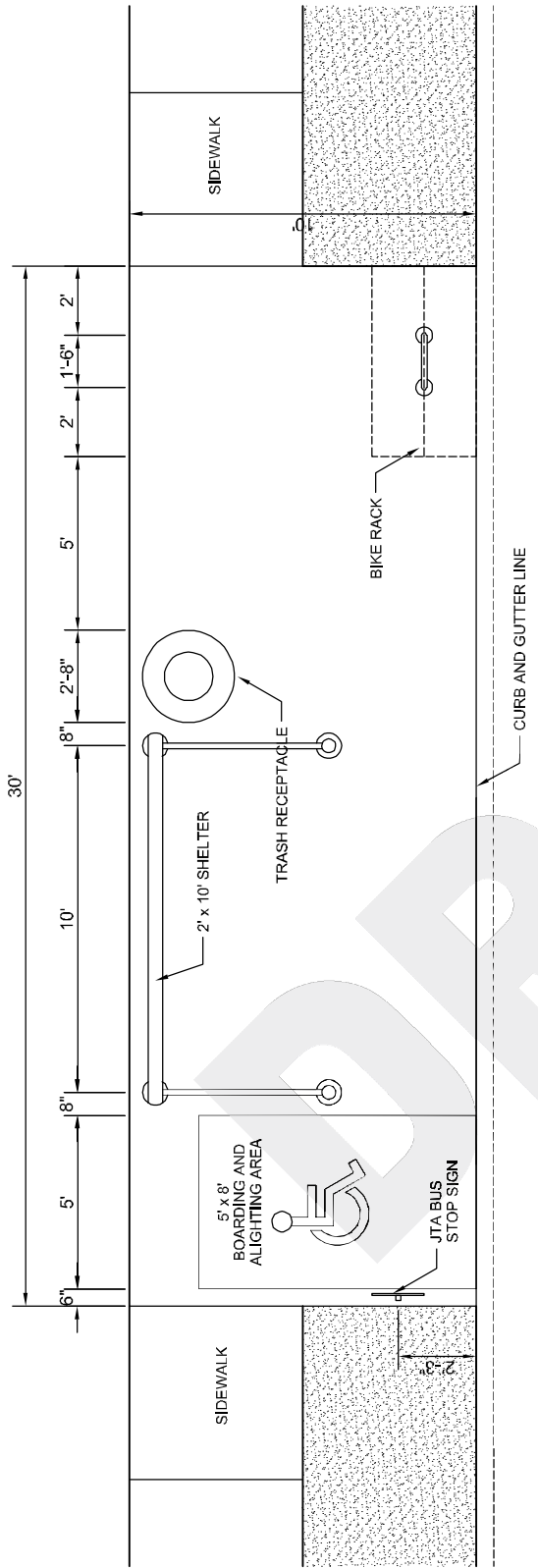
### PROTOTYPE 4C (URBAN) - STOP PAD 10' X 15'

Note: Check the jurisdiction's requirement for sidewalk minimum. Refer to FDOT or COJ.



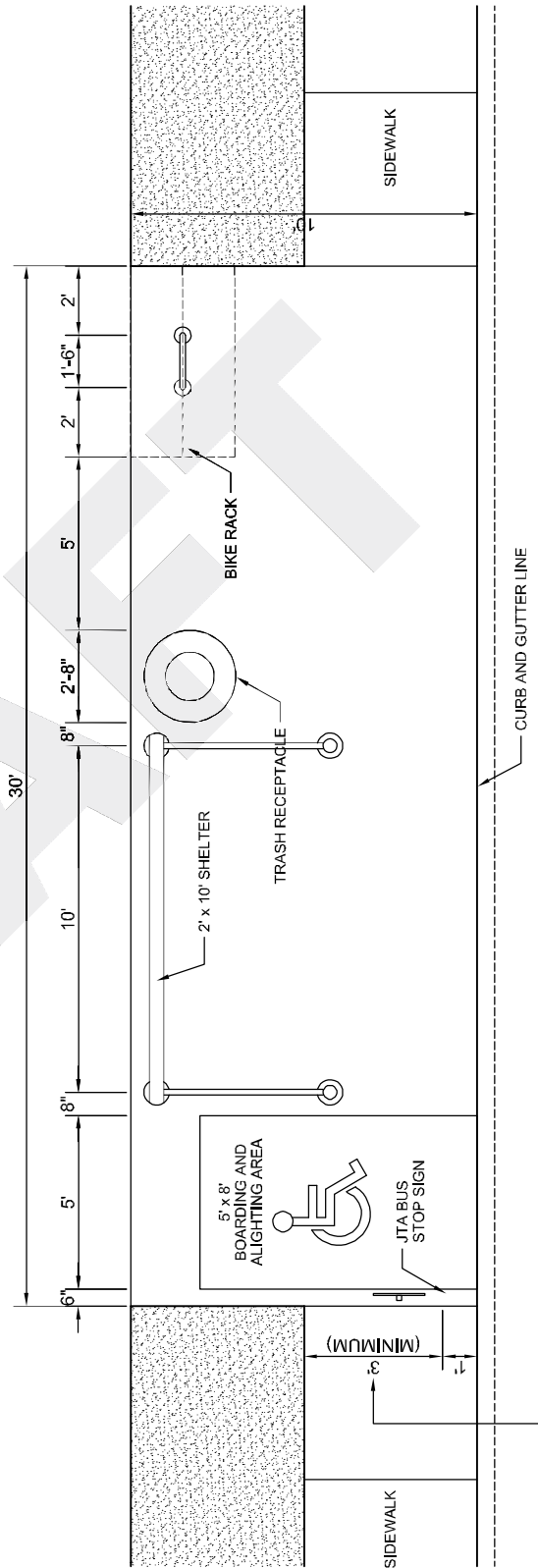
### PROTOTYPE 4D (URBAN) - STOP PAD 10' X 15'

Note: Check the jurisdiction's requirement for sidewalk minimum. Refer to FDOT or COJ.



### PROTOTYPE 5A (HIGH-URBAN) - STOP PAD 10' X 30'

Note: Check the jurisdiction's requirement for sidewalk minimum. Refer to FDOT or COJ.



### PROTOTYPE 5B (HIGH-URBAN) - STOP PAD 10' X 30'

Note: Check the jurisdiction's requirement for sidewalk minimum. Refer to FDOT or COJ.

This document was created with Win2PDF available at <http://www.win2pdf.com>.  
The unregistered version of Win2PDF is for evaluation or non-commercial use only.  
This page will not be added after purchasing Win2PDF.