



GE HealthCare

# Interventional

Imaging Accessories & Supplies



Reliable



Compatible



One-Stop Shop

# How to Order



Available 24/7, GE HealthCare Service Shop makes ordering supplies online fast and easy.

- Search real-time inventory of compatible, OEM products
- Take advantage of Auto Reorder for parts you buy regularly
- Batch order multiple items at once with Quick Order
- Get instant order and tracking confirmations
- Pay by PO or credit card or integrate your purchasing system

Visit GE HealthCare Service Shop to register.

1. Visit GE HealthCare Service Shop, navigating to the registration link in the upper left-hand corner of the page.
2. Give us your account details. Pro tip: Provide your customer account number for expedited registration.
3. A welcome message will come to you through the email you provide. Start shopping!

Register now at [ServiceShop.GEHealthcare.com](http://ServiceShop.GEHealthcare.com)



## Other ways to order:

Phone: (866) 281-7545 Options 1, 2, 1, 2

Fax: (877) 279-6990

Email: [gehcaccessorysales@ge.com](mailto:gehcaccessorysales@ge.com)

EDI: Free – contact us for details

Hours: 7AM – 6PM (CST)



# Table of Contents

Injectors .....	II 4	▶
Table Shields.....	II 6	▶
Ceiling Tracks and Cable Spoolers .....	II 13	▶
Ceiling Track Columns .....	II 14	▶
Stationary Ceiling Columns.....	II 15	▶
Suspended Shields & Lamps.....	II 16	▶
Mobile Barriers .....	II 22	▶
Monitor Carts.....	II 23	▶
Personal Radiation Protection .....	II 24	▶
Dosimetry System .....	II 29	▶
Apron Storage .....	II 30	▶
Anit-Fatigue Mats .....	II 31	▶
Intercom System .....	II 32	▶
Patient Positioning Aids .....	II 34	▶
Table Pads .....	II 36	▶
Slickers & Sterile Drapes.....	II 36	▶
Power Solutions .....	II 40	▶

## Injectors

### Medrad Mark 7 Arterion Injector

The Mark 7 Arterion™ is light, maneuverable and easy to use. Less time positioning and setting up the Arterion means more time with the patient. The clearly visible and intuitive user interface guides you through proper set-up and highlights the information you need to perform injections confidently.

- Ergonomic handle for easier maneuverability
- Front load syringe for simple insertion and clean removal
- Syringe provides a clear view of the contrast
- Light injector head with a handle to make it easier to position for injection
- Smooth arc design of pedestal for extended reach
- Small footprint which increases mobility around a busy lab
- Bright and colorful intuitive user interface is designed to highlight the information you need
- Highlighted armed state to know when the system is ready to inject
- History and protocol screens to easily access the amount of contrast delivered to the patient and to store and recall protocols



E7018HA/HC

Cat#	Description	Warranty
E7018HA	Mark 7 Arterion injector on integrated pedestal with installation and warranty (GE Innova package)	E
<b>Compatibility:</b> Discovery IGS730/740, Innova IGS 620/630/520/530/540, Innova IQ 2100/3100/4100		
E7018HB	Mark 7 Arterion injector on table mount with installation and warranty (GE Innova package)	E
<b>Compatibility:</b> Innova IGS 620/630/520/530/540 (Omega table), Innova IQ 2100/3100/4100 (Omega table)		
E7018HC	Mark 7 Arterion injector on integrated pedestal with installation and warranty (GE Surgery package)	E
E7018HD	Mark 7 Arterion injector on table mount with installation and warranty (GE Surgery package)	E

### Medrad Mark 7 Arterion Injector on Table Mount with Floor Mount rack for Innova IQ table

- Medrad® Mark 7 Arterion™ injector can now be mounted at table-side on the Discovery™ IGS platform equipped with the Innova IQ table. This configuration includes:
  - Two adjustable table rail-mount devices to allow for the mounting of the injector head and the DCU on the IQ table rail
  - The power rack is set on a floor-mount bracket in proximity to the table, instead of the technical room
  - The injector power rack is connected to the Innova IQ table using the GE interface cable



E70381AF

Cat#	Description	Warranty
E70381AF	Mark 7 Arterion Injector on table mount with floor mount rack (GE Interventional Package)	E
<b>Compatibility:</b> Discovery IGS Platform equipped with the Innova IQ table		

## Medrad Mark 7 Arterion Injector with ceiling mount

- The Mark 7 Arterion™ is also available in a ceiling mount configuration.
- 58, 85, and 100 cm post length available
- E8007PJ mounting plate required for installation



Cat#	Description	Warranty
E70381AG	Medrad Mark 7 Arterion Injector with ceiling mount (85 cm post length) GE Interventional Package	E
E70381AH	Medrad Mark 7 Arterion Injector with ceiling mount (58 cm post length) ) GE Interventional Package	E
E70381AJ	Medrad Mark 7 Arterion Injector with ceiling mount (100 cm post length) ) GE Interventional Package	E
E8007PJ	OCS III Mounting Plate for Medrad Ceiling Mount Injectors	E
<b>Compatibility:</b> Discovery IGS730/740, Innova IGS 620/630/520/530/540, Innova IQ 2100/3100/4100		



# Table Shields

## Kenex X-ray Shields for Interventional Tables

Our portfolio of Lower Body Shields help substantially reduce exposure to scatter radiation emanating from the table or patient's body. We offer a dedicated head end shield as well as a line of standard table shields from Kenex. They are compatible with the following GE Interventional tables:

- Omega IV
- Omega V
- Innova IQ/IQ OR

NOTE – not compatible with the Maquet table

## Kenex Table Head End Lower Body Shield

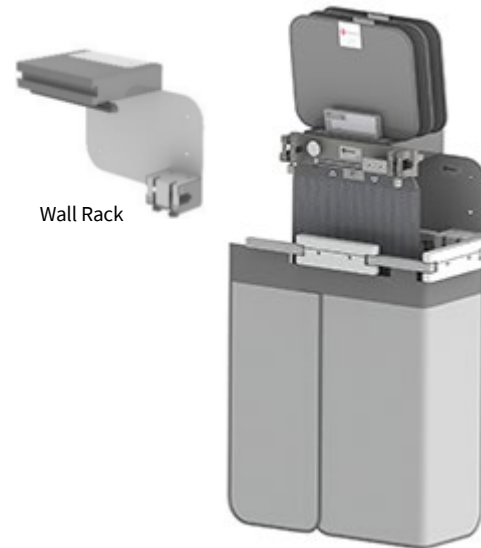
- The radiation exposure shield is dedicated to operators standing near the patient's head, fully integrated with the GE table
- No additional wheel is needed to support the shield, facilitating placement of all other equipment
- Interventional Radiology: Helps reduce exposure for physicians and technologists in all intrajugular and upper chest access procedures
- Interventional Cardiology: Helps reduce exposure for echographers during structural heart procedures such as left atrial appendage closure (LAAC)
- The shield is supplied with a table top adaption bracket allowing it to easily attach to the head end
- The two side curtains (one 24 cm wide, one 68 cm wide) can each attach to either the left or right side of the central section
- Dimensions – 119 cm (W) x 83 cm (H) with the lift-off top shield, 60 cm (H) without the lift-off top shield
- Shield Weight (excluding table adaption bracket) – 13.2 kg / 29.1 lb

Catalog consists of:

- 0.5 mm Pb protective curtain
- 1 central section 37 cm, 1 pivotal section 24 cm
- 1 pivotal section 68 cm
- 1 carbon fiber support fitting on table head end
- 3 lift-off top shields, 23 cm (H) x 29 cm (W)
- 1 adaptation bracket
- 1 wall rack



Head End Table Shield



Wall Rack

Shields stored on Wall Rack

Cat#	Description	Warranty
E30591JK	Kenex table head end lower body shield, 119 cm (W) x 83 cm (H), includes (3) 29 cm lift-off top shields, includes wall rack and adaptation bracket	C

**Kenex Standard Table Shields**

- Shields easily mount to either side of the table allowing the pivotal arm to always face the head end
- An attachment bracket slides onto a 25 mm high tableside accessory rail (maximum 11 mm thick)
- Catalog # E30591J/JL and E11181EA are configured to fit the 25 mm high tableside rails, but may be quickly adjusted on-site to fit the 29 mm high tableside rails
- Catalog # E30591JA/JM/JS are supplied with a 35 cm long integrated accessory rail (7.7 x 25 mm section) for the attachment of equipment controls that would otherwise be located on the table side
- All shields have an automatic wear adjustment feature ensuring accurate joint friction which prevents unwanted curtain movement even when the table is tilted in any direction
- The curtain forms around the under table X-ray tube without impeding movement

**E30591JL**

- Dimensions: 78 cm (W) x 70 cm (H) (30.7 in (W) x 27.6 in (H))
- Weight: 8.4 kg (18.5 lb)
- Single pivot

**E30591J**

- Dimensions: 92 cm (W) x 70 cm (H) (36.2 in (W) x 27.6 in (H))
- Weight: 9.4 kg (20.7 lb)
- Double pivot

**E11181EA**

- Dimensions: 92 cm (W) x 70 cm (H) (36.2 in (W) x 27.6 in (H))
- Weight: 9.7 kg (21.4 lb)
- Double pivot



E30591JL



E30591J



E11181EA

Cat#	Description	Warranty
E30591JL	Kenex single pivot lower body shield, 78 cm (W) x 70 cm (H), including 57 cm lift-off top shield	C
E30591J	Kenex double pivot lower body shield, 92 cm (W) x 70 cm (H), includes 57cm lift-off top shield, one single curtain	C
E11181EA	Kenex double pivot lower body shield, 92 cm wide x 70 cm high, includes 57 cm lift-off top shield, one single curtain with 3 overlapping sections	C

## E30591JA

- Dimensions: 100 cm (W) x 70 cm (H) (39.4 in (W) x 27.6 in (H))
- Weight: 8.8 kg (19.4 lb)
- Single pivot

## E30591JS

- Dimensions: 100 cm (W) x 70 cm (H) (39.4 in (W) x 27.6 in (H))
- Weight: 11 kg (24.3 lb)
- Single pivot

## E30591JM

- Dimensions: 114 cm (W) x 70 cm (H) (44.9 in (W) x 27.6 in (H))
- Weight: 12.2 kg (26.9 lb)
- Double pivot



E30591JA



E30591JS



E30591JM

Cat#	Description	Warranty
E30591JA	Kenex single pivot lower body shield, 100 cm wide x 70 cm high, includes 35 cm accessory rail	C
E30591JS	Kenex single pivot lower body shield, 100 cm wide x 70 cm high, includes 57 cm lift-off top shield, includes 35 cm integrated accessory rail	C
E30591JM	Kenex double pivot lower body shield, 114 cm wide x 70 cm high, includes 57 cm lift-off top shield, includes 35 cm integrated accessory rail	C



## Kenex Top Shields

- Top shields are manufactured using the same 0.5 mm Pb protective material as the suspended curtains of the main shield. They include a flexible plastic material that enables them to stand 25 cm above the tableside rail, and provide additional higher and wider protection to the user
- The shape of the top shields (wider at the top) helps ensure that no gaps develop as the adjacent tops are pushed towards the patient during procedures
- Top shields can be quickly removed to ease patient transfer and access
- Solid stainless steel locating pins ensure the top remains in position during use

### E30591JC – Kenex optional lift-off top shield, 57 cm wide

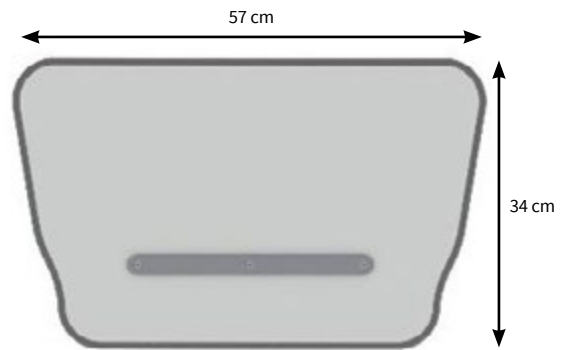
- Dimensions: 57 cm (W) x 34 cm (H) (22.4 in (W) x 13.4 in (H))
- Weight: 2.2 kg (4.9 lb)

### E30591JN – Kenex optional lift-off top shield, 27 cm wide

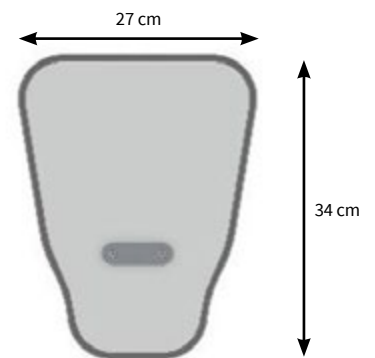
- Dimensions: 27 cm (W) x 34 cm (H) (10.6 in (W) x 13.4 in (H))
- Weight: 0.9 kg (2 lb)

### E30591JP – Kenex optional lift-off top shield, 27 cm wide, short cut

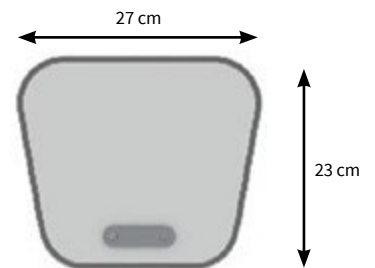
- For use on lower body shields fitted with an integrated accessory rail (Cat# E30591JA, E30591JM, E30591JS)
- Dimensions: 27 cm (W) x 23 cm (H) (10.6 in (W) x 9 in (H))
- Weight: 1 kg (2.2 lb)



E30591JC



E30591JN



E30591JP

Cat#	Description	Warranty
E30591JC	Kenex optional lift-off shield, 57 cm wide	C
E30591JN	Kenex optional lift-off shield, 27 cm wide	C
E30591JP	Kenex optional lift-off shield, 27 cm wide, short cut	C

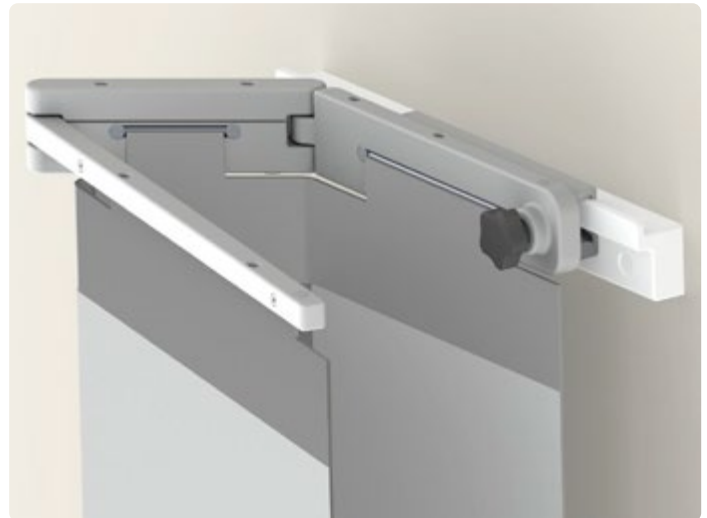
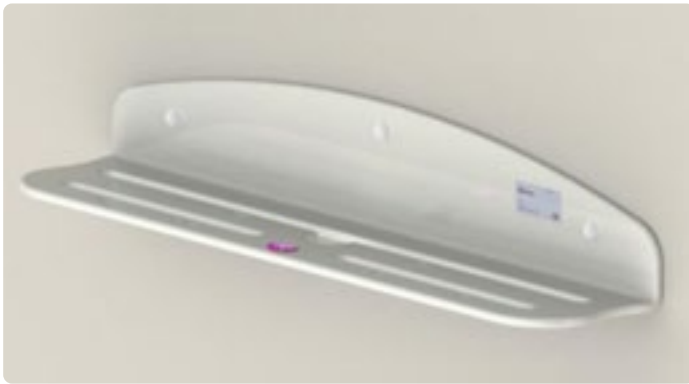
## Kenex Wall Rack Options

### E30591JR – Wall Rack for Kenex Lift-off Top Shields

- The Wall Rack provides a secure storage area for the removable Kenex Top Shields – Cat# E30591JC, E30591JN and E30591JP
- Strong, plastic construction
- Maximum configuration – (1) 57 cm wide top and (2) 27 cm wide tops, or (4) 27 cm wide tops
- Width: 600 mm (23.6 in)
- Height: 108 mm (4.25 in)
- Depth: 146 mm (5.75 in)
- Weight: 1 kg (2.2 lb)

### E30591JQ – Wall Rack for Kenex Lift-off Top Shields

- The Wall Rack provides a secure storage area for the Kenex Lower Body Radiation Shields – Cat# E30591JL, E30591JA, E30591JS, E30591JM, and E11181EA
- Strong, plastic construction
- Width: 400 mm (15.75 in)
- Height: 55 mm (2.2 in)
- Depth: 37 mm (1.5 in)
- Weight: 0.8 kg (1.8 lb)




E30591JR

E30591JQ







Cat#	Description	Warranty
E30591JR	Wall Rack for Kenex Lift-off Top Shields	C
E30591JQ	Wall Rack for (1) Kenex Lower Body Shield	C

# Kenex Configuration Reference Guide

## Head End Table Shield

Cat#	Description	Overall Curtain Width	Top Shield	Storage Wall Rack	
E30591JK	Kenex table head end lower body shield, 119 cm (W) x 83 cm (H), includes (3) 29 cm lift-off top shields, includes wall rack and adaptation bracket	119 cm	(3) Included	Included	

## Standard Table Shields

Cat#	Description	Pivot Type	Overall Curtain Width	35 cm (W) integrated accessory rail, 7.7 x 25 mm section	57 cm lift-off top shield	27 cm lift-off top shield	27 cm lift-off top shield (short)	
					E30591JC	E30591JN	E30591JP	
E30591JL	Kenex single pivot lower body shield, 78 cm (W) x 70 cm (H), includes 57 cm lift-off top shield	Single	78 cm	n/a	1 Included	1 Optional	n/a	
E30591J	Kenex double pivot lower body shield, 92 cm (W) x 70 cm (H), includes 57 cm lift-off shield, one single curtain	Double	92 cm	n/a	1 Included	2 Optional	n/a	
E11181EA	Kenex double pivot lower body shield, 92 cm (W) x 70 cm (H), includes 57 cm lift-off top shield, one single curtain with overlapping sections	Double	92 cm	n/a	1 Included	2 Optional	n/a	
E30591JA	Kenex single pivot lower body shield, 100 cm (W) x 70 cm (H), includes 35 cm accessory rail	Single	100 cm	Included	1 Optional	n/a	1 Optional	
E30591JS	Kenex single pivot lower body shield, 100 cm (W) x 70 cm (H), includes 57 cm lift-off top shield, includes 35 cm integrated accessory rail	Single	100 cm	Included	1 Included	n/a	1 Optional	
E30591JM	Kenex double pivot lower body shield, 114 cm (W) x 70cm (H), includes 57 cm lift-off top shield, includes 35 cm accessory rail	Double	114 cm	Included	1 Included	1 Optional	1 Optional	

## MAVIG Lower Body Shields

Provides convenience, flexibility and enhanced protection for medical personnel. Helps shield technicians against scatter radiation from sources beneath the tabletop and also helps to protect the lower extremities. Flexible 0.5 mm lead equivalent curtains attached to the aluminum alloy pivoting arm. The entire lower body protector can be easily and quickly removed from the table.

The shields are compatible with the following GE interventional tables:

- Omega IV
- Omega V
- Innova IQ/IQ OR

NOTE: not compatible with the Maquet table

### E3053J – MAVIG Double-Pivot Lower Body Protector, model 6269

- Pivotal, flexible shield: 35 x 25 in (90 x 65 cm)
- Easy-on upper protective shield: 10 x 25 in (25 x 65 cm)
- Convenient and flexible system

### E3053JA – MAVIG Single-Pivot Lower Body Protector, model 6267

- One-piece economical model offers enhanced protection
- Comes with single joint adapter
- Measures 35 x 18 in (90 x 45 cm) including upper portion
- Upper portion is 7 in (H) (17 x 18 in) (17 x 45 cm)

### E3053JB – MAVIG Flexible, Double-Pivot Lower Body Protector, model 6260

- This model is designed to offer enhanced protection in combination with tiltable tables
- Performance angle +/-15°
- Adjustable brakes for lower shields
- Left and right table mounting with a single adapter
- Similar features of the E3053J model
- Height: 29.5 in (75 cm) main part  
12.2 in (31 cm) upper shield
- Width: 19.3 in (49 cm) 3 overlapping panels  
7.9 in (20 cm) adapted sway panel



E3053J  
MAVIG Double-Pivot Lower Body Protector



E3053JA  
MAVIG Single-Pivot Lower Body Protector



E3053JB  
MAVIG Flexible, Double-Pivot Lower Body Protector

Cat#	Description	Warranty
E3053J	Lower body protector Model 6269, single removable upper shield	D
E3053JA	Lower body protector Model 6267, H x W 90 x 45 cm	D
E3053JB	Lower body protector Model 6260, (75 x 71.5 cm (H x W)), plus additional upper shield (35 x 50 cm (H xW)), double articulation use with tilting table and fully reversible Left and Right	D

# Ceiling Tracks and Cable Spoolers

## MAVIG Ceiling Tracks and Cable Spoolers

The ceiling track is suited for universal use of ceiling guided accessories, including radiation protective shields, lamps, injectors, monitors, and other equipment.

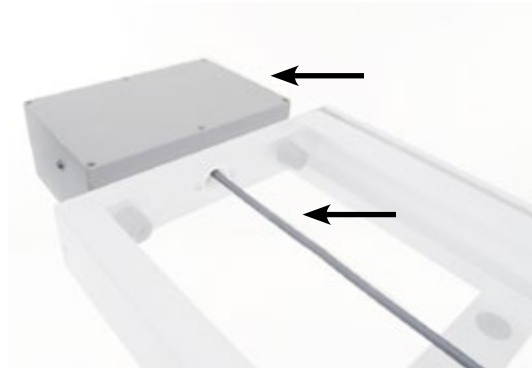
- The innovative structure profile ensures smooth running of the carriage
- With little force, the installed system can be moved and positioned
- The carriage glides smoothly, even after many years of routine use
- Adjustable cross-struts simplifies the system installation
- The cable spooler houses the electrical cables for the lamp. It is only needed when planning to install a lamp on a track mounted system



E7018JZ/E3053CB



E3053CM



E3053LT, E3053CC

Cat#	Description	Warranty
<b>MAVIG Ceiling Tracks</b>		
E7018JZ	2.5 m Track without Cable Spooler	D
E3053CB	4 m Track with Cable Spooler and Cable Holders and Stoppers	D
<b>Cable Spoolers</b>		
E3053CC	2.5 m (98.42 in) Cable Spooler	D
E3053LT	4 m (157.48 in) Cable Spooler	D
<b>Cable Holders and Stoppers for Ceiling Track</b>		
E3053CM	Cable Holders and Stoppers for Ceiling Track (3 holders included)	D

# Ceiling Track Columns

## MAVIG Columns for Ceiling Track Mounting

### 360° Column with Carriage (trolley)

- Lower post allows 360° rotation
- Upper fixed post is electric with 330° rotation
- Each pin has a load capacity of 18 kg (40 lbs)

### Twin Column with Carriage (trolley)

- One electric post and one standard post at the same height
- Each post offers a 330° rotation
- Each pin has a load capacity of 18 kg (40 lbs)



E3053BC/BD  
360° Column with Carriage



E3053CE/CD  
Twin Column with Carriage

Cat#	Description	Warranty
E3053BC	Portegra2 360° Ceiling Column w/ Carriage – 58 cm	D
E3053BD	Portegra2 360° Ceiling Column w/ Carriage – 80 cm	D
E3053CE	Portegra2 Twin Column w/ Carriage – 58 cm	D
E3053CD	Portegra2 Twin Column w/ Carriage – 80 cm	D



# Stationary Ceiling Columns

## MAVIG Columns for Stationary Mounting

### 360° Stationary Column

- Lower post allows 360° rotation
- Upper fixed post is electric with 330° rotation
- Each pin has a load capacity 18 kg (40 lbs)

### Twin Stationary Column

- One electric post and one standard post at the same height
- Each post offers a 330° rotation
- Each pin has a load capacity 18 kg (40 lbs)



E3053CA



E3053CG/CF  
360° Column Stationary



E3053BA  
Twin Column Stationary

Cat#	Description	Warranty
E3053CG	360° Stationary Ceiling Column – 58 cm (requires E3053CA)	D
E3053CF	360° Stationary Ceiling Column – 80 cm (requires E3053CA)	D
E3053BA	Portegra2 Twin Stationary Ceiling Column – 58 cm (requires E3053CA)	D
E3053CA	Mounting Plate for Stationary Columns	D

# MAVIG LED Lamps

## MAVIG Surgical Lamp LED 3 SC

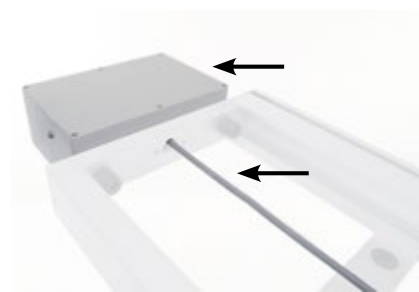
- Available as a single-color white LED (SC), but always with a multi-faceted lens system to minimize shadiness in the light field
- The LED light technology of the color composition inside the light source features the merging of the different colored LEDs by a computer calculated optical system with a light guide and faceted lens. The result is light composed of bright white or multi-color as it is dispersed homogeneously over the wound/surgical field. The advantages of this LED technology include excellent color rendition, tissue differentiation and shadow reduction with a goal to reduce surgeon eye strain
- Lights from MAVIG provide up to 160,000 Lux for an optimum illumination of the surgical field and at least 40,000 hours of life span



E3053HE

## Cable spooler for the lamps

- It is only needed when planning to install a lamp on a track mounted system
- Includes the Mavig Portegra2 Extension Spring Arm (75/91 cm)



E3053LT/E3053CC

Cat#	Description	Warranty
E3053HE	MAVIG LED3 SC (Single-Color) LED lamp with sterilizable handle, electrical and preset Portegra2 suspension arm/extension spring arm (75 cm/91 cm), external power supply unit	D
E3053LT	Retro cable spooler for track length = 400 cm	D
E3053CC	Retro cable spooler for track length = 250 cm	D

## Examination Light YLED-1F

- The compact YLED-1F contains 17 powerful LED modules. All modules provide a combined light intensity of 70,000 Lux
- A wide range power supply is integrated into the housing. This integrated power supply enables you to save space and time by means of simple installation
- Covers a wide range of applications, from examinations to minor surgical procedures
- It is intuitively controlled by means of the side-mounted control panel and the sterilizable handle
- Lifetime of at least 60,000 hours for the LED module
- Dimension: 360 x 280 mm



E63611EA/EB

Cat#	Description	Warranty
E63611EA	MAVIG Lamp YLED-1F with Portegra2 extension/spring arm 75/91 cm with 1 sterilizable handle, power supply is integrated into the housing	D
E63611EB	MAVIG Lamp YLED-1F with Portegra2 extension/spring arm 75/91 cm and 5 sterilizable handles, power supply is integrated into the housing	D

# Radiation Protection Shields

## MAVIG Radiation Protection Shields with Overlapping Panel Curtain

- Minimization of scattered radiation exposure to the examiner and assistant due to the panel curtain and drapes

### Protective shield

- The high quality of the radiation protective shield made from lead acrylic allows optimal transmission and therefore a clearer view

### Panel curtain

- The panel curtain is made of a highly flexible, radiation protective material and covered with a suitable textile outer material

### Extension arm options

- Catalogs E30611DA/DB have a 750 mm extension arm
- Catalogs E30611DC/DD are the same product, but with a 950 mm extension arm. Select the longer reach if installation of column is far from the patient: extra 200 mm length on total arm's length



E30611DA/DC



E30611DB/DD

Cat#	Description	Warranty
E30611DA	X-ray protective shield with curtain RIGHT, Pb 0.5 mm, incl. Portegra2 extension/spring arm 750/910 mm	D
E30611DB	X-ray protective shield with curtain LEFT, Pb 0.5 mm, incl. Portegra2 extension/spring arm 750/910 mm	D
E30611DC	X-ray protective shield with curtain RIGHT, Pb 0.5 mm, incl. Portegra2 extension/spring arm 950/910 mm	D
E30611DD	X-ray protective shield with curtain LEFT, Pb 0.5 mm, incl. Portegra2 extension/spring arm 950/910 mm	D

## MAVIG Radiation Protection Shields

The lead acrylic radiation protective shields have a lead equivalent of 0.5 mm Pb. The shields provide excellent high-optical transmittance. Rounded corners and edges and shatter-proof materials minimize the risk of injury. In an emergency, the shields can be removed quickly and easily.

- All shields include the corresponding Mavig Portegra2 Extension Spring Arm (75/91 cm)



E3053CH  
Model – OT50001



E3053CJ  
Model – OT50003



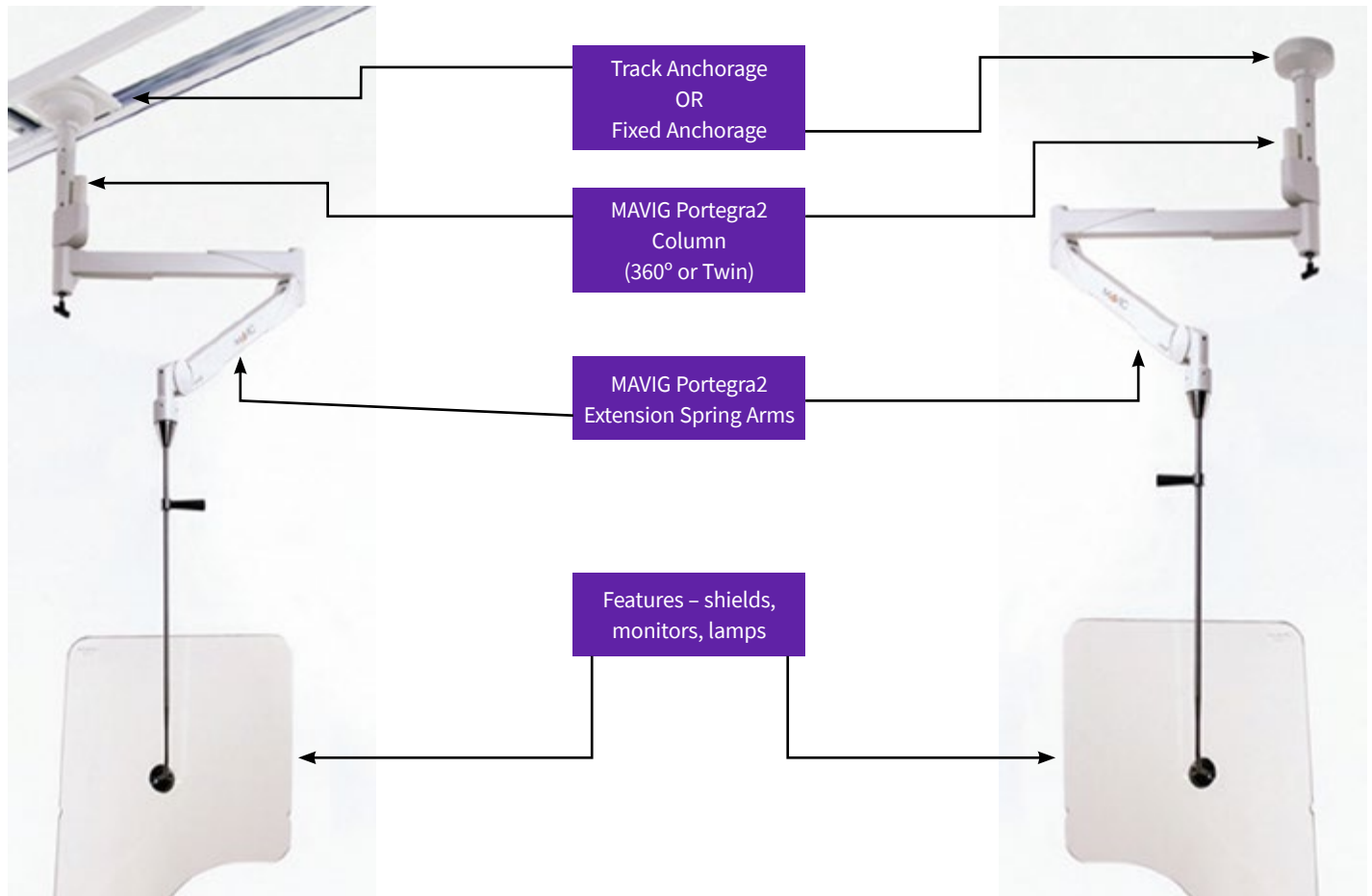
E3053CK  
Model – E0T80002

Cat#	Description	Warranty
E3053CH	MAVIG Radshield 60 x 76 cm (W x H), center mount, body-shaped cut out, with Arm and Extension Spring Arms – 75/91 cm, Pb 0.50 mm	D
E3053CJ	MAVIG Radshield 76 x 60 cm (W x H), laterally guided, transparent, body shaped cut out, with Arm and Extension Spring Arm – 75/91 cm, Pb 0.50 mm	D
E3053CK	MAVIG Radshield 50 x 38 cm (W x H) with 4 strips leaded flexible curtain (0.5mm Pb), laterally guided, with Arm and Extension Spring Arm – 75/91 cm	D

# MAVIG Configuration Guide

## Suspension Overview

### Suspension Configurations Include:



### Electrical Availability

Each standard column can support only one electrified feature (lamp or monitor holder) and one non-electrical (shield).

If your configuration requires more than one electrical feature contact the Accessories & Supplies team who can work with MAVIG on a custom order request.

# MAVIG Configuration Reference

## Create a Customized Solution

Column Length and Bridge Selection depends on the floor to structural ceiling distance (**DistC**) assuming distance between floor and point B (**DistB**) should remain around **210/220 cm**.

The bridge should be hidden on top of the false ceiling i.e. between the structure ceiling and the false ceiling.

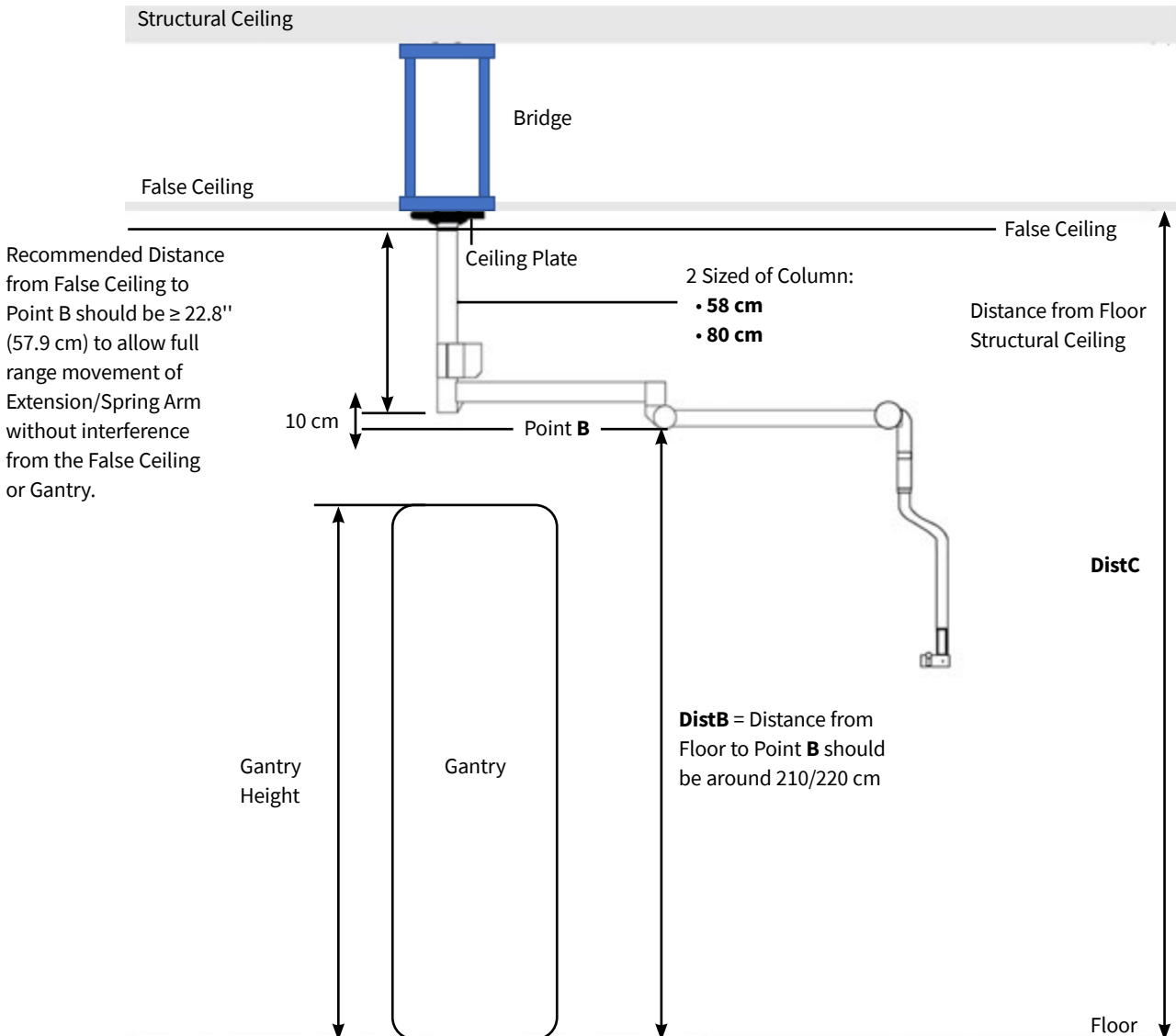
Choose the correct column length- and bridge if needed, to achieve this distance.

Do not forget to subtract additional 10 cm (Dist between B and end of column).

## Column Length and Bridge Selection

Recommended Distance from False Ceiling to Point B should be  $\geq 22.8''$  (57.9 cm) to allow full range movement of Extension/Spring Arm without interference from the False Ceiling or Gantry.

## Column Length and Bridge Selection



## Selecting the Ceiling Anchorage

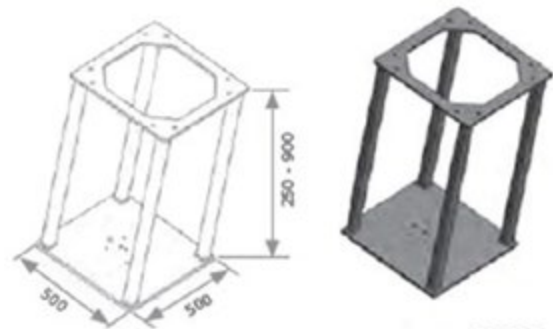
### Bridge – Optional

1. Select the appropriate Bridge if required by the room configuration (refer to Column length and bridge selection on page 19)

Three bridge heights available (select one)

- 200 mm – E63611CV
- 500 mm – E63611CW
- 900 mm – E63611CX

Contact GE Global Parts to order the bridge.



E63611CV/CW/CX

TS1525

## Selecting the Suspension Type (Fixed vs. Track)

### Fixed Suspension

2. Select the mounting plate – E3053CA.



### Track Suspension

2. If your configuration includes an LED Lamp, please select from:

- 2.5 m Light Cable Spooler – E3053CC
- 4.0 m Track with Light Cable Spooler and Monitor Cable Holders – E3053CB

If your configuration includes a monitor support, please include the Monitor Cable Holders (3 pcs) – E3053CM



E7018JZ



E3053CM

## Selecting the Suspension Column

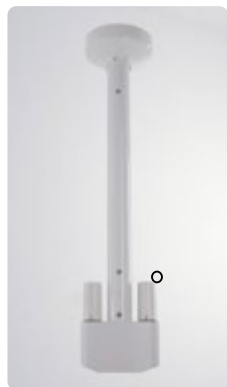
### Fixed Suspension

#### Twin Column

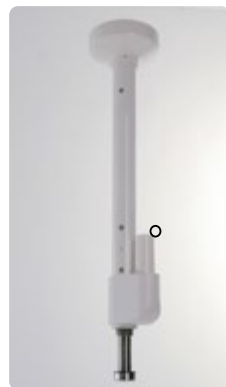
- Length = 58 cm – E3053BA

#### 360° Column

- Length = 58 cm – E3053CG
- Length = 85 cm – E3053CF



E3053BA  
Twin Column Stationary



E3053CG/CF  
360° Column Stationary

### Track Suspension

#### Twin Column

- Length = 58 cm – E3053CE
- Length = 80 cm – E3053CD

#### 360° Column

- Length = 58 cm – E3053BC
- Length = 80 cm – E3053BD



E3053CE/CD  
Twin Column with Carriage



E3053BC/BD  
360° Column with Carriage

o– Electric source

o– Electric source



## Selecting the Shields, Lamps and Monitor Holders

### Shields

The corresponding Portegra2 Extension Spring Arm is included with the shields.



E3053CH

- Contour cut out
- Guided by a removable handle
- 24 x 30 in



E3053CJ

- Contour cut out
- Laterally guided
- 30 x 24 in



E3053CK

- Laterally guided
- Flexible curtain
- 30 x 27 in



E30611DA/DB/DC/DD

- Contour cut out
- Flexible curtain
- 30.7 x 35.4 in

### LED Lamps

The corresponding Portegra2 Extension Spring Arm is included with the lamps.



E3053HE – Single Color M3 Surgical Lamp with Video System

- Camera and video system enabled
- 160,000 Lux
- Diameter light head: 57 cm



E63611EA/EB – YLED-1F Examination Light

- Compact LED
- 70,000 Lux
- Approx. 36 cm x 28 cm

### Monitor Holder

The corresponding Mavig Portegra2 Extension Spring Arm is NOT included with the E3053CL. It is available through your local GE Field Engineer. Mavig part #E0T75-70120.

- Flexible holder for one 19" display

- Double jointed hinge to allow a wide range of different viewing angles
- In case of minor collisions, the monitor moves to the side and repositions itself
- Maximum weight load is 17 kg (39 lbs)
- Vesa Adapter 75/100 mm



E3053CL

# Mobile Barriers

## MAVIG Adjustable Height Mobile Barriers

- Mobile barriers allow easy adjustment of the clear acrylic viewing area
- E3053JH model has laterally-mounted lead rubber apron for under-the-table positioning
- For both models, upper shield is 0.5 mm lead equivalence and lower shield is 1.0 mm lead equivalence
- Wheel-based for easy positioning
- E3053JG –
  - Base width: 31 in (78 cm)
  - Height min: 45 in (115 cm)
  - Height max: 75 in (190 cm)
- E3053JH –
  - Lower width: 51 in (128 cm)
  - Upper width: 43 in (110 cm)
  - Height min: 55 in (140 cm)
  - Height max: 75 in (190 cm)



Cat#	Description	Warranty
E3053JG	MAVIG Mobile Height-Adjustable Lead Acrylic Shield	D
E3053JH	MAVIG Mobile Height-Adjustable Lead Acrylic Shield with Patient Cutout	D

# Monitor Carts

## MAVIG LCD Monitor Carts

- Internal cabling through the vertical column
- Movable, tiltable & swivelable vesa adapters (76/100)
- Smooth antistatic rolling casters with brakes
- Adjustable handle provides additional monitor protection
- Not approved for use with CT systems

### MAVIG Single LCD Monitor Cart

- Single monitor for up to 1 X 32 in
- Max weight per vesa adapter 12kg /26.4 lb
- 1585 mm x 847 mm x 604 mm
- 34 kg/74 lb
- Supports mounting of one LCD monitor
- MAVIG model MD711



E3053ME

### MAVIG Double LCD Monitor Cart

- Dual monitors up to 2 X 27 in
- Max weight per vesa adapter 12 kg/26.4 lb
- 1585 mm x 1327 mm x 604 mm
- 37 kg/81 lb
- Supports mounting of two LCD monitors
- MAVIG model MD712



E3053MF

Cat#	Description	Warranty
E3053ME <sup>†</sup>	MAVIG Single LCD Monitor Cart	D
E3053MF <sup>†</sup>	MAVIG Double LCD Monitor Cart	D

<sup>†</sup>Not approved for use with CT systems.

# Personal Radiation Protection

GE HealthCare offers premium-quality radiation protection accessories. Choose from a variety of aprons, glasses, and storage solutions from MAVIG®. MAVIG protective aprons offer innovative, light weight material providing high radiation absorption across the radiology spectrum. Their ergonomic, application-minded design helps ensure comfort for your staff.

## MAVIG Allround Vest and Skirt, model RA631 Balance

The model 631 Allround combination offers great weight distribution and cut to see you through a comfortable day.

- Outer material cover: ComforTex™ HPMF Hybrid
- Inlay material: NovaLite™
- Shoulder padding is included
- Lead Equivalency: (front/back) 0.5/0.25 mm
- Color: Blue Admiral

Cat#	Size	Warranty
E11041PA	MED	H
E11041PB	LG	H

- The skirt has a wide belt strap in addition to the high-quality hook & burr fastener
- An elastic insert in the back part allows the user to hold his/her posture and can be easily replaced if necessary, thanks to a zipper
- The upper width of the skirt can be varied by changing the size of the insert

Cat#	Size	Length
E11041PC	MED	70 cm
E11041PD	LG	80 cm

Size	Recommended for
MED	Breast girth 96 – 106 cm Waist girth 98 – 107 cm Hip girth 98 – 107 cm
LG	Breast girth 107 – 117 cm Waist girth 108 – 118 cm Hip girth 108 – 118 cm

**Size choice:** For the vest, the larger value of the chest and waist girth determines the size. For the skirt, the larger value of the waist and hip girth determines the size.



**MAVIG Allround Coat, model RA632 Synergy**

Optimally protected all around! This model is for the person that wants an apron that is fast and easy to put on and take off. The coat also includes shoulder padding. Additionally an elastic belt shifts the weight from the shoulders to the hips.

- Front protection is provided from side seam to side seam by overlapping front panels
- Coat’s design creates the required safety zones by a double-layer structure in the sensitive areas
- The variable snap fastener strip permits each user to adjust the belt to his or her individual waist height
- The belt can be buttoned onto the coat on one side or both sides
- In the bottom area, the coat is also secured with a snap buckle fastener
- Outer material cover: comforTex HPMF Hybrid
- Inlay material: NovaLite
- Lead Equivalency: (front/back) 0.5/0.25 mm
- Color: Blue Admiral

Cat#	Size	Length	Warranty
E11041QA	SM	110 cm	H
E11041QB	MED	110 cm	H
E11041QC	LG	120 cm	H
E11041QD	XL	130 cm	H

Size	Recommended for
SM	Breast girth 85 – 95 cm Waist girth 92 – 102 cm Hip girth 92 – 102 cm
MED	Breast girth 96 – 106 cm Waist girth 109 – 119 cm Hip girth 109 – 119 cm
LG	Breast girth 107 – 117 cm Waist girth 120 – 130 cm Hip girth 120 – 130 cm
XL	Breast girth 118 – 128 cm Waist girth 131 – 141 cm Hip girth 131 – 141 cm

**Size choice:** The size depends on the girth of the chest, waist, or hip depending on which of the three measurements is the largest.



## MAVIG front apron, model RA650 Ergonomic

This apron provides protection for the entire front.

Comfortable, wide crossover belts allow the apron to be slid off easily under the surgical gown by simply opening the hook & burr fasteners.

- Apron design includes shoulder padding
- Outer material cover: ComforTex HPMF Hybrid
- Inlay material: NovaLite
- Lead Equivalency (front/back): 0.5/0.25 mm
- Color: Blue Admiral

Cat#	Size	Length	Warranty
E11041RA	SM	100 cm	H
E11041RB	MED	110 cm	H
E11041RC	LG	120 cm	H
E11041RD	XL	130 cm	H

Size	Recommended for
SM	Breast girth 85 – 95 cm Waist girth 92 – 102 cm Hip girth 92 – 102 cm
MED	Breast girth 96 – 106 cm Waist girth 103 – 112 cm Hip girth 103 – 112 cm
LG	Breast girth 107 – 117 cm Waist girth 113 – 123 cm Hip girth 113 – 123 cm
XL	Breast girth 118 – 128 cm Waist girth 124 – 134 cm Hip girth 124 – 134 cm

**Size choice:** The size depends on the girth of the chest, waist, or hip depending on which of the three measurements is the largest.





**MAVIG front apron, model RA660 Comfort**

Easy to put on and take off, ergonomic shape, good fit, and shoulder comfort has made this model the favorite apron for front protection among our customers.

- Comfort is enhanced by the wide stretch inserts on the back wings
- Apron design includes shoulder padding
- Outer material cover: ComforTex HPMF Hybrid
- Inlay material: NovaLite
- Lead Equivalency (front/back): 0.5/0.25 mm
- Color: Blue Admiral

Cat#	Size	Length	Warranty
E11041RE	SM	100 cm	H
E11041RF	MED	110 cm	H
E11041RG	LG	120 cm	H
E11041RH	XL	130 cm	H

Size	Recommended for
SM	Breast girth 85 – 95 cm Waist girth 92 – 102 cm Hip girth 92 – 102 cm
MED	Breast girth 96 – 106 cm Waist girth 103 – 112 cm Hip girth 103 – 112 cm
LG	Breast girth 107 – 117 cm Waist girth 113 – 123 cm Hip girth 113 – 123 cm
XL	Breast girth 118 – 128 cm Waist girth 124 – 134 cm Hip girth 124 – 134 cm

**Size choice:** The size depends on the girth of the chest, waist, or hip depending on which of the three measurements is the largest.



## MAVIG thyroid shield, model RA614

- Our thyroid protection with snap fasteners for attachment of the shield to the apron is suitable for all model series
- An uncomplicated hook & burr closure, which is optionally exchangeable, ensures a sufficient range for individual adjustments
- Outer material cover: ComforTex HPMF Hybrid
- Inlay material: NovaLite
- Lead equivalency: 0.5 mm
- Color: Blue Admiral



Cat#	Neck Size	Warranty
E11041JC	32 – 45 cm	H

# Visualize your radiation exposure in real time.

## RaySafe i3 Dosimetry System

RaySafe i3 visualizes X-ray exposure in real time using easy-to-read bar graphs. Instant feedback empowers medical staff to learn and adapt their behavior to minimize unnecessary radiation exposure.

The measurements are simultaneously stored for post-procedure analysis, to facilitate continued learning as well as to enable comparisons over time or between labs

- **Real-time Dosimeter**

The Real-time Dosimeter measures and records radiation every second. Data is transferred wirelessly to the Real-time Display

- **Real-time Display**

The Real-time Display shows dose data for connected dosimeters in real time

- **Software**

Dose Viewer is used for administrating dosimeters and viewing personal dose information



E7100RE



E7100RH

Cat#	Description	Warranty
E7100RE	RaySafe i3 package (918.3 MHz), includes base station, 4 dosimeters, rack with holder/wall mount, and Dose Viewer software	C
E7100RF	RaySafe i3 Dose Manager software	C
E7100RG	RaySafe real-time i3 Dosimeter (918.3 MHz)	C
E7100RH	RaySafe i3 Dosimeter Rack (holds up to 5)	C

# Apron Storage

## Mobile Apron Rack – 5 arm

Cat# E3053EY

- Holds up to five aprons
- Position at any convenient location, and move as required
- Easy apron selection with swiveling, shoulder-shaped hangers

## Single-Apron Hanger

Cat# E3053ET

- Designed for the heavier weight loads of radiation protection garments
- Storage capacity: 1 garment/hanger



E3053EY

Cat#	Description	Warranty
E3053EY	Mobile Apron Rack – 5 arm	H

# Anti-Fatigue Mats

## GE Anti-Fatigue Mats

- Helps to reduce body stress and fatigue resulting from standing for long periods
- One of the most comfortable, buoyant anti-fatigue floor mats on the market
- Durable construction; sealed to prevent moisture absorption and facilitate cleanup



E7058A



E7058AB



E7058AC

Cat#	Description	Warranty
E7058A	GE Anti-Fatigue Floor Mat (Blue 3' x 5' x 5/8") – 20 lb	H
E7058AB	GE Anti-Fatigue Floor Mat (Gray 3' x 5' x 5/8") – 20 lb	H
E7058AC	GE Anti-Fatigue Floor Mat (Blue 2' x 3' x 5/8") – 9 lb	H

# Intercom System

## VIS-A-VIS Vitalinq™ Intercom System

The Vitalinq is a combination intercom and music system designed to meet the specific needs that arise during diagnostic and interventional procedures in Cath, EP and IR labs. Features and benefits of the Vitalinq include:

- Enables physicians to have continuous two-way conversation with control room operators throughout diagnostic and angioplasty procedures
- Physician is not required to wear or touch any type of device
- Capable of picking up conversation in a normal tone of voice. Allows control room operator to respond immediately to physicians' requests
- Specialized microphone design contributes to high voice intelligibility, even within the acoustically active space of a full-functioning procedure room
- Designed to enhance articulation by reducing the potential echo path, Vitalinq gathers and transmits speech in a highly efficient manner
- Provides music via separate ceiling stereo speakers. Music sources include CD, FM receiver and any device that can output to a USB or auxiliary input (smart phones, USB sticks, Satellite radio receivers, etc.)
- Music can be played in both rooms or faded between the rooms to allow different listening volumes or no music at all

### Specifications

- Each Vitalinq system includes intercom and music and is provided with everything needed for installation including pre-terminated cables



E6220J

- Ease of installation. Speakers “daisy chain” together using color coded Ethernet cables thereby minimizing the number of cables
- Console Dimensions (Working Surface Footprint): 8.5 in (W) x 9 in (D) x 4.5 in (H)
- Console Weight: 7.4 lbs
- Everything is provided for a complete installation
- Shipping Dimensions and Weight:
  - Ships in 2 cartons totaling 55 lbs
  - Carton 1, 24 in (L) x 10 in (W) x 10 in (H), 19 lbs
  - Carton 2, 29 in (L) x 17 in (W) x 7 in (H), 36 lbs
- 1 Year Warranty
- cETLus Listing

Cat#	Description	Warranty
E6220J	VIS-A-VIS Vitalinq Intercom System	H

## Clarson Public IV Intercom Ceiling LED system

- Easy to install and use
- Cost efficient option
- Push-to-talk
- Headset interface
- Speech key control via footswitch
- Music input
- Recording possibility



### Omnidirectional microphone

- Mounts to the DCS



### Loudspeaker

- Mount to the ceiling above the user, or on the wall below the ceiling behind the user



### Intercom console

- Mount to the ceiling above the user, or on the wall. Place as far from the control room door as possible
- Max speech distance to the microphone: 10 cm

Cat#	Description	Warranty
E62201JA	Public IV Intercom Ceiling LED system	H

# Patient Positioning Aids

## Headholder and Armboards

The Head Holder and Armboards are designed for patient positioning and immobilization during a variety of radiology and angiography procedures. The unique composite construction provides rigid, secure positioning. They are designed to work with flat top angiography tables and flat imaging tables. They are easily maneuvered to allow for quick positioning adjustments.

### Radiolucent Head Holder

- The DSA-2Q Head Holder is provided with straps and a reusable, cleanable pad for patient comfort
- Replacement straps and pad are available (Cat# E6420BH)

### Radiolucent Armboard

- The HB-1 Armboard is provided with a reusable, cleanable pad for patient comfort
- A replacement pad is available (Cat# E6420BK)

### Radiolucent Double Armboard

- The Double Armboard is provided with a reusable, cleanable pad for patient comfort
- Replacement pads are available (Cat# E6420BN)



E6420BG



E6420BJ



E6420BL/BM

Cat#	Description	Warranty
E6420BG	DSA-2Q Digital Head Holder Skull Positioner	H
E6420BH	Head Holder Replacement Pad (for DSA-2Q Digital Head Holder Skull Positioner – E6420BG)	H
E6420BJ	HB-1 Radiolucent Armboard	H
E6420BK	Armboard Replacement Pad (for HB-1 radiolucent Armboard – E6420BJ)	H
E6420BL	Double Radiolucent Armboard – 22 in	H
E6420BM	Double Radiolucent Armboard – 24 in	H
E6420BN	Armboard Replacement Pad set (for Double Radiolucent Armboard – E6420BL and E6420BM – 2 pcs)	H

## Clear VU Arm Supports

- Dimensions: 11.5 in x 15.75 in x 1.77 in
- Sold per pair



E6412DA

Cat#	Description	Warranty
E6412DA	Clear VU Supports - One Pair (PR)	H

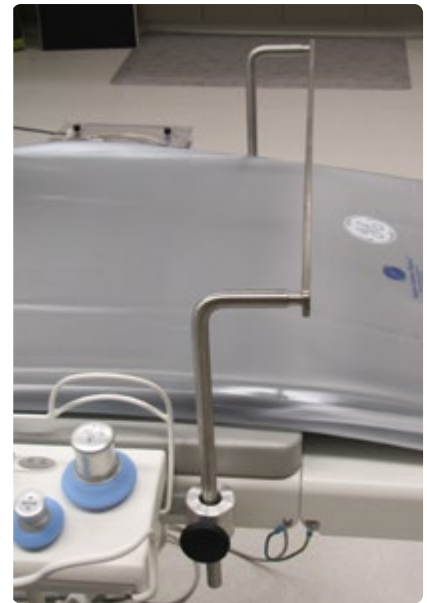


### Innova Foot-End Table Rail with Two Table Clamps

System controls may be located at the end of the table to enhance patient access by providing an alternate mounting location for controls. It provides for improved panning capabilities and allows dual system control.

- Allows for more physician and technologist tableside work space
- System controls placed at two locations for greater operational flexibility
- System controls can be moved to the end of the table for easy table-end panning
- Location at the foot-end is a more natural push-pull action for table panning
- Fosters productivity in patient loading and unloading, and patient safety
- Allows cardiologist and scrub tech access to the patient, unencumbered by items under the sterile drape

Primary use locations: Angiographic and Cardiographic tables  
 Construction: Heavy gauge stainless steel  
 Width: 30.5 in  
 Depth: 4 in (L) offset  
 Height: Variable with 14 in posts  
 Includes: Stainless steel clamps (2)



E7060A

Cat#	Description	Warranty
E7060A	Innova Foot-End Table Rail with two table clamps	H

### Quick Straps

- Disposable Velcro-like hook and loop strapping can be cut to whatever length you need
- Smooth, non-adhesive back
- Sold per roll, choose 1.5 or 3 in width



E6424GJ

E6424GK

Cat#	Description	Warranty
E6424GJ	Quick Straps – 1.5 in W × 30 ft Roll	H
E6424GK	Quick Straps – 3.0 in W × 30 ft Roll	H

# Table Pads

## Omega Table Pads

- Gray color
- Sold individually
- Waterproof
- 1 in thickness



E6425HE

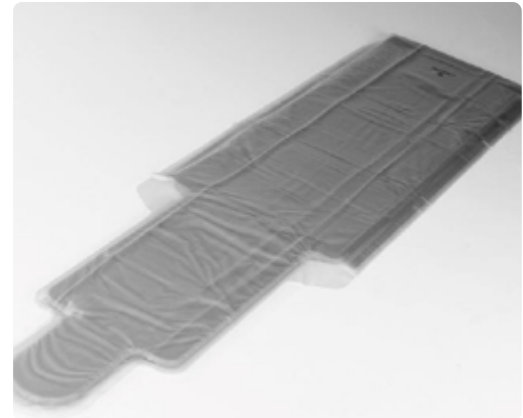
E6425HC

Cat#	Description	Warranty
E6425HC	Table Pad for Omega IV Angiographic Tables with 118 in Top	H
E6425HE	Table Pad for Omega V Angiographic Tables with 132 in Top	H

# Slickers and Sterile Drapes

## X-ray Vascular and Angio Slickers

- Increase system uptime by protecting table from spills and particulate contaminants
- Easy to install and comfortable for patients
- Will not interfere with normal operation of table
- Clear PVC plastic facilitates faster cleanup of blood and fluids; latex-free
- Prevents contaminate buildup in hard-to-clean areas
- Thermosealed seams and flaps
- Recommended for trauma centers and sites concerned about exposure to blood and fluid-borne disease



E8016AY

Cat#	Description	Warranty
E8016AS	GE Angio Slicker for GE Omega IV Tables – 118 in (L) x 26 in (W)	H
E8016AY	GE Angio/Cardiac Slicker for Omega V Tables – 132 in (L) x 26 in (W)	H

## IGS 320/330, IGS 520/530/540, IGS 620/630 and IGS 730/740 Systems

- A drape solution that complements system appearance
- Easy for technologists to quickly apply
- Elastic opening, transparent and durable polyethylene
- Sterile and disposable
- Latex-free



E7009CA/CB/CC

Cat#	Description	Drape specifications	Packaging	Warranty
E7009CA	IGS 320, IGS 520, and IGS 620 Detector Drape (20/box)	13 in opening, 20 in (D) / 33 cm opening, 51 cm (D)	20/Box	H
E7009CB	IGS 330, IGS 530, IGS 630 and IGS 730 Detector Drape (20/box)	15 in opening, 24 in (D) / 38 cm opening, 61 cm (D)	20/Box	H
E7009CC	IGS 540 and IGS 740 Detector Drape (20/box)	15 in opening, 24 in (D) / 38 cm opening, 61 cm (D)	20/Box	H

## Interventional System Full Tube Drape, Detector Drape and Drape C-arm Kit

- The Drape Kits are especially designed to cover Tube, Detector and C-arm for the OR Interventional Systems
- Each Box includes 12 Sterile Kits. Each Kit includes one drape for Tube, Detector and C-arm



E7009CD/CE/CF



E7009CD/CE/CF

Cat#	Tube Drape Specifications	Detector Drape Specifications	C-arm Drape Specifications
E7009CD	55 x 40 in / 140 x 102 cm	62 x 36 in tapered to 16 in / 157 x 91 cm tapered to 41 cm	80 x 13.75 in / 203 x 35 cm
E7009CE	62 x 44 in / 157 x 112 cm	80 x 40 in tapered to 19 in / 203 x 102 cm tapered to 48 cm	80 x 13.75 in / 203 x 35 cm
E7009CF	62 x 44 in / 157 x 112 cm	80 x 40 in tapered to 19 in / 203 x 102 cm tapered to 48 cm	80 x 13.75 in / 203 x 35 cm

Cat#	Description	Packaging	Warranty
E7009CD	IGS 520 Full Drapes - Detector, C-ARM, and Tube (12 kits/box)	12 Kits/Box	H
E7009CE	IGS 530, IGS 630, IGS 730/730-M Full Drapes - Detector, C-arm, and Tube (12 kits/box)	12 Kits/Box	H
E7009CF	IGS 540 and IGS 740 Full Drapes - Detector, C-arm, and Tube (12 kits/box)	12 Kits/Box	H

## Sterile Equipment Drapes

- Helps reduce opportunity of cross-contamination
- Large drape (E7009AG) is for 9-20 in diameter opening, measures 27 in D
  - Recommended for draping MLX tube hanger and Polarix or other C-arm intensifiers; also compatible with remote console and 16 in image intensifiers
- Medium drape (E7009AH) is for 6-15 in diameter opening, measures 14 in D
  - Recommended for draping L/U intensifiers, L/U control boxes and handles, ideal for 9 and 12 in image intensifiers and collimators
- Clear polyethylene, latex-free
- Individually packaged, 20 drapes per box
- Product is not returnable for artifacts



E7009AG/AH

Cat#	Description	Packaging	Warranty
E7009AG	Large Sterile Drapes – for 9-20 in Diameter Openings, 27 in D	20/Box	H
E7009AH	Medium Sterile Drapes – for 6-15 in Diameter Openings, 14 in D	20/Box	H

## Sterile Equipment Drapes – Joystick and Pedestal

- Helps reduce opportunity of cross-contamination
- AFM/CFM pedestal drape (E7009AE) is also compatible with tableside control and 12 in image intensifiers for the tilting C-arm; packaged 25 drapes per box
- AFM/CFM joystick drape (E7009AF) has non-slip design and maintains the functionality of the joystick control; packaged 50 drapes per box
- Clear polyethylene, latex-free, individually packaged
- Product is not returnable for artifacts



E7009AE

Cat#	Description	Packaging	Warranty
E7009AE	Sterile Drapes – AFM/CFM Pedestal	25/Box	H

## Sterile Equipment Drapes – Bandbags

- Helps reduce opportunity of cross-contamination
- Large size (E7009BD) is designed to fit a 16 in (40.64 cm) image intensifier, measures 20 × 30 in
- Medium size (E7009BE) is recommended for draping MLX intensifiers, L/U control boxes and handles, and X-ray collimators; measures 20 × 15 in
- Clear polyethylene, latex-free, individually packaged
- Sample pack (E7009BG) includes 10 each of large (E7009BD), medium (E7009BE), and small; individual drapes; packaged 30 per box
- Product is not returnable for artifacts



E7009BD/BE/BF/BG

Cat#	Description	Packaging	Warranty
E7009BD	Large Sterile Equipment Drapes – Bandbag Style	20/Box	H
E7009BE	Medium Sterile Equipment Drapes – Bandbag Style	20/Box	H
E7009BG	Sterile Drape Sample Pack (10 ea. size: Large, Medium, Small/box)	30/Box	H

# Uninterruptible Power Solutions

## Uninterruptible Power Supplies (UPS)

- Helps provide reliable, clean, consistent power for Diagnostic Imaging and PACS systems
- Helps to eliminate power anomalies (noise, transients, over and undervoltage), which could damage the system's sensitive computer components
- Enables the DI system to complete scanning after the loss of supply power and allows for the saving of valuable data and orderly system shutdown
- GE HealthCare tests and approves the UPSs listed in this catalog for compatibility with GE HealthCare Diagnostic imaging systems. All solutions are On-Line Double Conversion UPS.
- Configurations are available to support multi-modalities or even complete departments



E4582AG

Cat#	Description	Warranty
<b>Interventional UPS</b>		
E4502DC	ABB 150 kW UPS (non-seismic)	0
E4502WA	Eaton 150 kW 93PM (non-seismic) UPS, non-upgradeable, 6.1 min runtime	0
E4502WB	Eaton 150 kW 93PM (seismic) UPS, non-upgradeable, 6.1 min runtime	0
E4582AG	Riello MHT 160 kVA UPS (non-seismic)	0



See Power Quality Compatibility Guide on page II 43

# Dynamic Sag Corrector

## Dynamic Sag Corrector (DySC)

- Corrects for voltage sags at the system, department or facility level
- DySC is optimized for fast sag detection and response time (voltage detect time of 1 ms; sags are corrected with a peak voltage response time of 1.5 ms)
- A green power solution at > 99% energy efficiency, the DySC has no batteries and over time can offer lower cost of maintenance
- Smaller footprint and lighter weight than comparable (kVA) UPS systems
- Service Contracts offered by GE HealthCare



E4505SM

Cat#	Description	Warranty
E4505SJ	200 Amp (166 kVA) ProDySC Dynamic Sag Corrector (without installation)	Y
E4505SM	200 Amp GT (166 kVA) ProDySC Dynamic Sag Corrector (without installation)	Y
E4505SK	400 Amp (333 kVA) ProDySC Dynamic Sag Corrector (without installation)	Y

# Main Disconnect Panels

## Main Disconnect Panels

- Main Disconnect Panels provide emergency shut down, undervoltage protection, overcurrent protection, OSHA lockout tag provisions, and serves as a local disconnect for the GE HealthCare Diagnostic Imaging System.
- Helps reduce installation time by providing a single-point power connection, eliminating the need to mount and wire a number of individual components
- Standardized design and testing helps ensure high product quality and system reliability
- UL and cUL listed for compliance with National Electric Code
- Surface or semi-flush mounting
- Please consult your GE HealthCare Field Engineer to determine if this is the appropriate product for your needs before purchasing



E46001BD

Cat#	Description	Warranty
<b>Interventional Main Disconnect Panels</b>		
E46001BD	Main Disconnect Panel – UL, OSHPD, 100 Amp, 480 VAC, 60 Hz, 3-phase	Y



See Power Quality Compatibility Guide on page II 43



# AC Lighting Controllers

## AC Lighting Controllers

- “X-ray in Use” warning and room lighting control panel provide a low voltage interface between the “X-ray in Use” warning lights, interior room general lighting systems and the X-ray system
- Convenient, push on/off pre-wired footswitch for control of room general lighting
- Enhances servicing safety by the use of a low voltage interface circuit between the imaging system and the line voltage lighting system



E4502SS

Cat#	Description	Warranty
E4502SS	X-ray Warning and Room Lighting Control Panel (X-ray, Vascular, R&F)	Y
E4502RL	X-ray Warning Light Control Panel (CT, MR, X-ray)	Y



See Power Quality Compatibility Guide on page II 43

# Power Quality Compatibility Guide

Interventional Systems	Full UPS Cat #	Full UPS Description	Partial UPS Cat #	Partial UPS Description	Maintenance Bypass Panel	Main Disconnect Panel	AC Lighting Controller
Discovery IGS 7x/7xOR, Innova IGS 5x, Innova IGS 6x with AutoRight, Optima CL320i, Optima CL323i, Optima IGS 320	E4502WA E4502WB  E4502DC E4582AG	150 kW UPS (non-seismic) 150 kW UPS (seismic OHSPD) 150 kW UPS(non-seismic) 160 kVA UPS (non-seismic)			E4502WA/WB configurations include their own MBP and a wall-mounted load distribution panel. E4502DC configuration includes its own wall-mounted MBP.	E46001BD (OHSPD)	E4502SS E4502RL

## Specifications

- All specifications are subject to change without notice
- The product and brand names herein are the trademarks or registered trademarks of their respective owners

## Pricing

- Please call to obtain current pricing. All pricing and product availability is subject to change without notice
- Price invoiced will be the price in effect at the time of order entry
- Quotations available upon request

## Blanket Purchase Orders

You can save time and money by ordering your consumable products with our Blanket Order program. Blanket orders must be scheduled for a year or more and a signed purchase order agreement must be on file. Contact us for additional details.

## Restocking Fee

- Returns are subject to, but not limited to, a minimum 15% restocking fee
- Certain items, such as sterile and environmentally controlled products within this catalog, are non-returnable and nonrefundable unless defective and have been noted as such

## Product Returns

- Immediately upon receipt, please inspect all deliveries for order accuracy and condition
- For products shipped in error, please obtain return authorization from the Accessories and Supplies Call Center within thirty (30) days of delivery
- Power Quality items are nonreturnable and nonrefundable

## Contact Us for General Information and Warranty Terms

### In U.S.

GE HealthCare  
Accessories and Supplies Customer Support Center  
P.O. Box 414, W-544  
Milwaukee, WI 53202

Phone: (866) 281-7545 – opt 1, opt 2, opt 1, opt 2

Fax: (877) 279-6990

Online: [www.gehealthcare.com/accessories](http://www.gehealthcare.com/accessories)

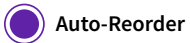
Email: [gehaccessorysales@ge.com](mailto:gehaccessorysales@ge.com)

### All other regions

Contact your local GE Representative.

# Save time. Order accessories online with Service Shop.

## Auto-Reorder



Auto-Reorder

Every 3 Months ▾

### Set quantity, schedule frequency

Customize the quantity and order frequency that works for you.



Add to Cart

### Add to cart

It's that easy. Your first order has been placed. The product will be auto-delivered at your preferred delivery frequency.



### Manage reorders

In advance of each delivery, we will send you a reminder email for your upcoming delivery. Skip your deliveries or cancel your subscriptions at any time.



## Quick Order

Know what you need to order? Batch order multiple items at once with Quick Order on Service Shop. Enter a list of item numbers or paste from an excel spreadsheet, select quantity and add to cart. Spend less time ordering!



## Payment Options

Pay by PO or credit card or integrate your purchasing system.

## Register now at [ServiceShop.GEHealthcare.com](https://ServiceShop.GEHealthcare.com)

1. Visit GE HealthCare Service Shop, navigating to the registration link in the upper left-hand corner of the page.
2. Give us your account details. Pro tip: Provide your customer account number for expedited registration.
3. A welcome message will come to you through the email you provide. Start shopping!



GE HealthCare is a leading global medical technology, pharmaceutical diagnostics, and digital solutions innovator dedicated to providing integrated solutions to make hospitals more efficient, clinicians more effective, therapies more precise, and patients healthier.

Learn more at [www.gehealthcare.com](http://www.gehealthcare.com).

GE HealthCare reserves the right to make changes in specifications and features shown herein, or discontinue the product described at any time without notice or obligation. Contact your GE HealthCare representative for the most current information and availability. Please visit [www.gehealthcare.com](http://www.gehealthcare.com). Data subject to change.

©2023 General Electric Company.

GE and the GE Monogram are trademarks of General Electric Company.

GE is a trademark of General Electric Company used under trademark license.

All other product names and logos are trademarks or registered trademarks of their respective companies.

JB07354US Rev. 09/23



GE HealthCare