

IT Lightning Talk – Dec 2015 – Adrian Mönnich

ADDING MORE FANCY I/O TO A PC USING A CHEAP MICROCONTROLLER

BLESSED & UNBLESSED
POWERWOLF
www.napalmrecords.com





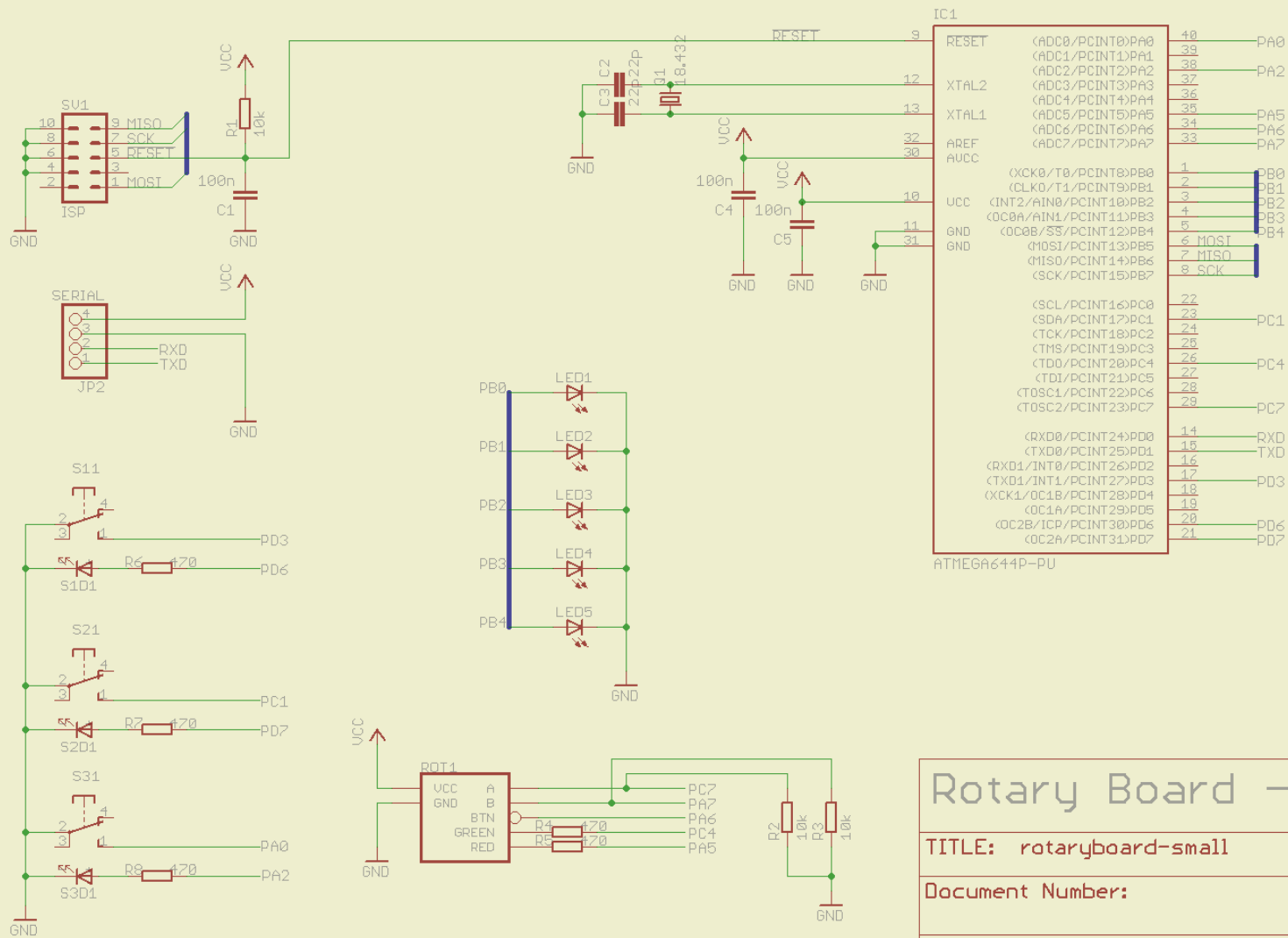
Hey there!

Someone just wrote something on IRC



21:59

Build 7001



Rotary Board - Small

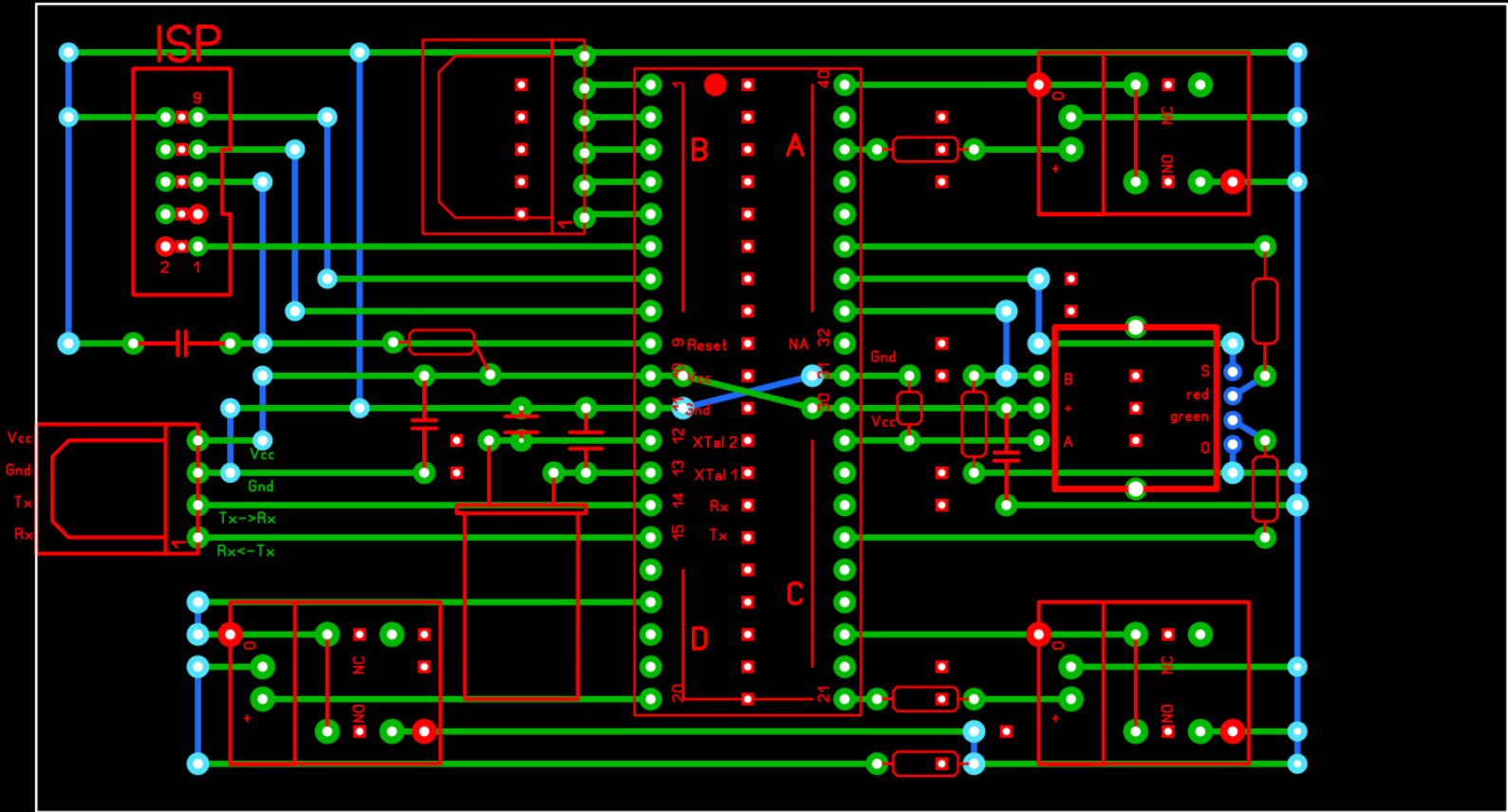
TITLE: rotaryboard-small

Document Number:

REV:

Date: 03.02.2014 19:59:19

Sheet: 1/1



Hardware hacks are fun!

- Microcontrollers are cheap (<10€)
- Other parts (crystal oscillator, LEDs, resistors)? Even cheaper!

- Breadboard prototyping
- Soldering (no SMT needed) is also easy

Schematics & Firmware on GitHub

<https://github.com/ThiefMaster/rotaryboard>

<https://git.io/vRnUd>