

# Quantum Impossible Differential Attacks: Applications to AES and SKINNY\*

Nicolas David<sup>1</sup>, María Naya-Plasencia<sup>1</sup>, and André Schrottenloher<sup>2\*\*</sup>

<sup>1</sup> Inria, Paris, France

<sup>2</sup> Univ Rennes, Inria, CNRS, IRISA, Rennes, France  
`firstname.lastname@inria.fr`

**Abstract.** In this paper we propose the first efficient quantum version of key-recovery attacks on block ciphers based on impossible differentials, which was left as an open problem in previous work. These attacks work in two phases. First, a large number of differential pairs are collected, by solving a limited birthday problem with the attacked block cipher considered as a black box. Second, these pairs are filtered with respect to partial key candidates. We show how to translate the pair filtering step into a quantum procedure, and provide a complete analysis of its complexity. If the path of the attack can be properly reoptimized, this procedure can reach a significant speedup with respect to classical attacks. We provide two applications on SKINNY-128-256 and AES-192/256. These results do not threaten the security of these ciphers but allow us to better understand their (post-quantum) security margin.

**Keywords:** Quantum cryptanalysis · Impossible differential attacks · Block ciphers · Skinny

## 1 Introduction

During the last few years, the interest of the community in understanding the resistance of symmetric primitives to quantum adversaries has considerably increased. Some authors have proposed quantized versions of classical attacks like [26,9] as well as new quantum dedicated attacks [7,25,8]. In [10] the authors performed a quantum security analysis of AES. Though none of the proposed quantum attacks reach more rounds than the classical ones, this is because they are compared to an exhaustive search of the key using Grover’s algorithm [23], which provides a new generic bound in the quantum setting. The post-quantum security can only be determined with respect to this new bound, and is then defined by such quantum attacks. Therefore, we need to study these attacks with the same care as previous classical attacks.

---

\* This preprint is a minor revision of a submission to Design, Codes and Cryptography. The published version is available online at <https://doi.org/10.1007/s10623-023-01280-y>

\*\* Part of this work was done while the author was at CWI, Amsterdam, The Netherlands.

In [10] the authors showed how to turn classical Square attacks [16,21] and Demirci-Selçuk Meet-in-the-middle attacks [19,20] into quantum attacks. The latter technique gave the best known attack on AES-256 compared to Grover’s algorithm. Although classically, *impossible differential attacks* also provide some trade-offs and comparable complexity, the authors of [10] mention that they did not find a proper way to quantize them, nor a “significant speed-up”.

Impossible differential attacks, introduced simultaneously by Knudsen [28] and Biham, Biryukov and Shamir [5], exploit a differential transition that cannot occur to build a distinguisher or to extract information on the secret key of a cipher. Since [10], to the best of our knowledge, there has been no further study of quantum impossible differential attacks, except a proposal [37,36] to use quantum algorithms to efficiently find impossible paths (but no actual speedup of the attack).

*This paper.* The results presented in this paper improve our knowledge in several directions.

1. We propose the first efficient quantum impossible differential attacks with a competitive speed up regarding classical attacks. An impossible differential key-recovery attack runs in two phases: first, given black-box encryption and decryption access, we build a set of pairs with some truncated input-output difference pattern. Second, partial key candidates are sieved, by removing those which, on some of the given pairs, would make the impossible differential appear. Our main contribution is an efficient quantum algorithm for this *pair filtering step*, with a precise complexity analysis based on Amplitude Amplification [13].
2. We give some results on the applications of these attacks to the popular block ciphers AES and SKINNY, summarized in Table 1 and compared to the best existing post-quantum attacks (by this we imply attacks that are better than Grover’s exhaustive key search). We also fill in the gap from [10] by proposing the first quantum impossible differential attacks on AES-192/256.

*Organization.* We start in Section 2 by introducing (classical) impossible differential attacks. Section 3 introduces some needed quantum preliminaries, including the algorithms used for the pair generation step. Section 4 describes the process of pair filtering in the quantum setting. In Section 5 we apply our technique to SKINNY and in Section 6, to AES. We conclude the paper in Section 7.

## 2 Classical Impossible Differential Attacks

In this section, we provide a generic depiction of classical impossible attacks, that will be helpful for translating them into quantum algorithms. We give a generic formula for their complexity which is from [12].

**Table 1.** Summary of best quantum attacks on SKINNY-128-256 and AES-192/256 (with lower complexities than Grover’s search). C = Classical; Q = Quantum; \* = QRAQM model. Q1, Q2 and QRAQM are defined in Section 3. \*\* means we have extrapolated the complexity on 21 rounds from the original attack on 24 rounds for comparison. For SKINNY-128-256 our results clearly provide the best quantum attack and therefore the security margin (the quantum time is counted in block cipher calls). For AES-256, we obtain a better memory than [20], and a time complexity comparable to [10] (the quantum time is counted in S-Box evaluations).

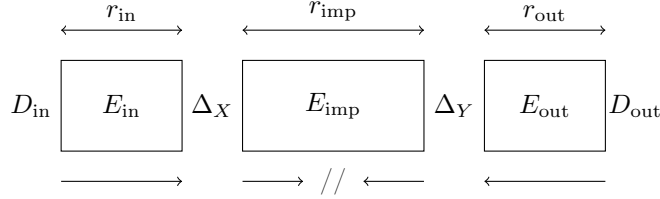
Algorithm	Rds.	Ref.	Time		Memory		Data	Setting
			C	Q	C	Q		
SKINNY-128-256	21	Grover		$2^{129.65}$		negl.	negl.	Q1
	21	[34]**	$2^{151.2}$		$2^{103.2}$		$2^{128}$	C
	20	[34]**	$2^{126.5}$		$2^{54.6}$		$2^{126.5}$	C
	21	Section 5		$2^{119.2}$	$2^{103.2}$	$(2^{95.2})^*$	$2^{119.2}$	Q2
	21	Section 5	$2^{128}$	$2^{117.5}$	$2^{103.2}$	$2^{106.3}$	$2^{128}$	Q1
AES-192	7	[10]-Grover		$2^{105.6}$		negl.	negl.	Q1
AES-256	7	[10]-Grover		$2^{137.3}$		negl.	negl.	Q1
AES-256	7	[10]-Square		$2^{121}$	$2^{38}$	$(2^{27})^*$	$2^{37}$	Q1
AES-192	7	[10]-Square		$2^{103.4}$	$2^{38}$	$(2^{27})^*$	$2^{37}$	Q1
AES-256	7	[10]-Square		$2^{107}$	$2^{38}$	$(2^{27})^*$	$2^{37}$	Q1
AES-256	7	[20]	$2^{99.6}$		$2^{96}$		$2^{99}$	C
AES-192/256	7	Section 6		$2^{101.5}$		$(2^{78.5})^*$	$2^{99.8}$	Q2
AES-192/256	7	Section 6		$2^{99.9}$		$(2^{78.5})^*$	$2^{99.8}$	Q2
AES-256	8	[10]-Grover		$2^{138}$		negl.	negl.	Q1
AES-256	8	[10]-DS-MITM		$2^{136}$	$2^{88}$	negl.	$2^{88}$	Q1

## 2.1 Principle

Impossible differential attacks were independently introduced by Knudsen [28] and Biham, Biryukov and Shamir [5]. The goal of this cryptanalysis technique is to recover some bits of the secret key of a black-box encryption oracle. This is done by discarding all the wrong key guesses, with the help of a pair of plaintexts that leads to an impossible pattern under its partial encryption with the wrong key guesses.

Let  $E : K \times \{0, 1\} \rightarrow \{0, 1\}^n$  be an  $n$ -bit block cipher with key space  $K$ , which has  $r$  rounds in total. We write  $E = E_{\text{out}} \circ E_{\text{imp}} \circ E_{\text{in}}$ , as in Figure 1, where  $E_{\text{out}}$ ,  $E_{\text{imp}}$  and  $E_{\text{in}}$  have  $r_{\text{out}}$ ,  $r_{\text{imp}}$  and  $r_{\text{in}}$  rounds respectively ( $r = r_{\text{in}} + r_{\text{imp}} + r_{\text{out}}$ ).

An impossible differential attack is based on an impossible differential of maximal length, that is, a pair of differentials  $\Delta_X, \Delta_Y$  such that the probability that  $\Delta_X$  propagates to  $\Delta_Y$  after  $r_{\text{imp}}$  rounds is 0. We will then append  $r_{\text{in}}$  and



**Fig. 1.** Impossible differential attack, with the notations used in this paper. The differential  $\Delta_X \leftrightarrow \Delta_Y$  through the middle rounds  $E_{\text{imp}}$  is impossible.

$r_{\text{out}}$  rounds of the cipher respectively before and after the impossible differential. We name *impossible pattern* the tuple of quantities  $(\Delta_X, \Delta_Y, r_{\text{imp}}, r_{\text{in}}, r_{\text{out}})$ .

Next, we define two sets of differences  $D_{\text{in}}$  and  $D_{\text{out}}$  such that  $\Delta_X$  maps backwards to  $D_{\text{in}}$  through  $E_{\text{in}}$ , and  $\Delta_Y$  maps forwards to  $D_{\text{out}}$  through  $E_{\text{out}}$ . Assume that, after querying the black-box  $E_k = E(k)(\cdot)$ , we found a pair of plaintexts  $p = (x, y)$  such that  $x \oplus y \in D_{\text{in}}$  and  $E_k(x) \oplus E_k(y) \in D_{\text{out}}$ . Then, thanks to the impossible pattern, we can discard any candidate key  $u$  that satisfies:

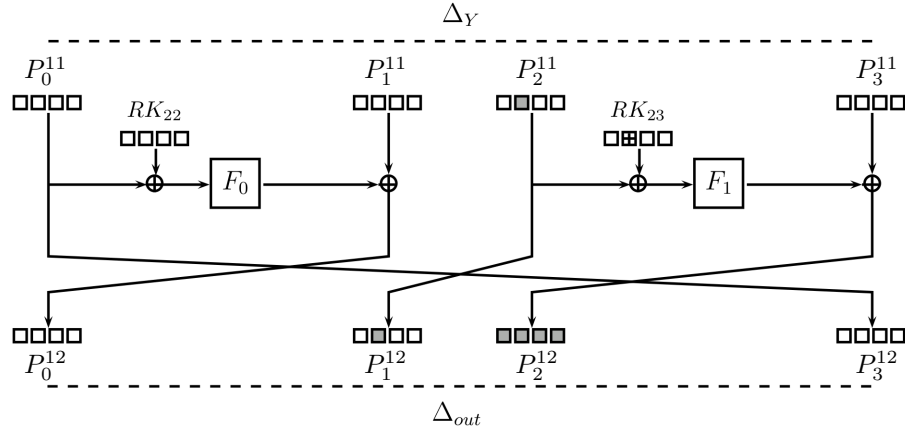
$$(E_{\text{in}}(u)(x) \oplus E_{\text{in}}(u)(y) = \Delta_X) \wedge (E_{\text{out}}^{-1}(u)(E_k(x)) \oplus E_{\text{out}}^{-1}(u)(E_k(y)) = \Delta_Y) \quad .$$

The goal of the attack is to discard as many keys as possible using many plaintext-ciphertext pairs. Let  $K_{\text{in}}$  denote the space of subkeys involved in  $E_{\text{in}}$ , typically a subset of the bits of the key, and  $K_{\text{out}}$  be the space of subkeys involved in  $E_{\text{out}}$ . Finally, let  $K_{\text{in} \cup \text{out}}$  be the space of subkeys involved both in  $E_{\text{in}}$  and  $E_{\text{out}}$ . In general  $K_{\text{in} \cup \text{out}}$  is smaller than  $K_{\text{in}} \times K_{\text{out}}$  due to key-schedule relations. Only  $K_{\text{in} \cup \text{out}}$  is relevant for our analysis, since the rest of the key is not involved in the impossible differential attack.

In this paper, we adopt a representation inspired from [12]. The attack is a two-step procedure.

*Step 1: Pair Generation.* In this part, we focus on solving the following problem: given access to the black-box encryption oracle  $E : \{0, 1\}^n \rightarrow \{0, 1\}^n$  (and possibly its inverse, the decryption oracle), given the definition of  $D_{\text{in}} \subset \{0, 1\}^n$  and  $D_{\text{out}} \subset \{0, 1\}^n$ , and a parameter  $N$  (large), we want  $N$  pairs  $(x, y)$  such that  $x \oplus y \in D_{\text{in}}$  and  $E(x) \oplus E(y) \in D_{\text{out}}$ . This is a *limited birthday* problem. The most efficient algorithm for solving it is given in [11]. The result is a table of pairs  $\mathcal{T}_0$ . We will use the notation  $p = (x, y)$  for an individual pair.

*Step 2: Pair Filtering.* In this step, we start from the table  $\mathcal{T}_0$  of size  $N$  computed above. The goal of this step is to find, among all the subkeys  $K_{\text{in} \cup \text{out}}$ , those which are invalidated by some pair of  $\mathcal{T}_0$  (or alternatively, those which aren't and constitute valid key guesses). Rather than trying all the pairs for all the keys, we optimize this step using the *early abort* technique which was introduced in [31] and described in detail in [11]. For a given key guess  $k \in K_{\text{in} \cup \text{out}}$ , this



**Fig. 2.** A round of CLEFIA-128 (from [12]).

technique filters the current table of pairs only to keep those which will most likely invalidate  $k$ .

We formalize the pair filtering step using *test functions*. Let us assume that  $K_{\text{in}\cup\text{out}}$  can be decomposed as:  $K_{\text{in}\cup\text{out}} = K_1 \times K_2 \times \dots \times K_\ell$ , where  $K_1, \dots, K_\ell$  typically represent choices for some bits of the subkeyspace<sup>3</sup>. Together with this decomposition, we will have  $\ell$  test functions:

$$T_i : \begin{cases} \mathcal{T}_0 \times K_1 \times \dots \times K_i \rightarrow \{0, 1\} \\ (p, k_1, \dots, k_i) \mapsto T_i(p, k_1, \dots, k_i) \end{cases} . \quad (1)$$

Each test function  $T_i$  takes some part of the subkey, some part of the pair, and checks whether they meet some condition. Typically, we start from the differences  $D_{\text{in}}$  and  $D_{\text{out}}$  and compute partially the first and last rounds; the successive  $T_i$  check that the partial encryption and decryption of the pair satisfies a truncated differential pattern that ultimately leads to the impossible differential  $(\Delta_X, \Delta_Y)$  at rounds  $r_{\text{in}}$  and  $r_{\text{out}}$ .

*Example 1.* Let us give an example of a test function. We study rounds 11 and 12 of the block cipher CLEFIA-128 (see Figure 2). CLEFIA is a 4-branch Feistel scheme and we let  $(P_0^{12}, P_1^{12}, P_2^{12}, P_3^{12})$  denote the internal state at round 12. We want no difference at round 11 on  $P_0^{11}, P_1^{11}, P_3^{11}$ , therefore the following equation needs to hold:

$$F_1(P_1^{12} \oplus RK_{23}) \oplus P_2^{12} = 0 . \quad (2)$$

Then, the test function to propagate from round 12 to round 11 is:

$$T : (P_1^{12}, P_2^{12}, RK_{23}) \mapsto (F_1(P_1^{12} \oplus RK_{23}) = P_2^{12}) . \quad (3)$$

<sup>3</sup> Note that sometimes, not all key schedule relations can be used in the decomposition, and so, the set  $K_1 \times K_2 \times \dots \times K_\ell$  is larger than  $K_{\text{in}\cup\text{out}}$  itself.

Next, we define the set of pairs satisfying all the  $T_i$ :

$$\mathcal{T}_\ell(k) = \{p \in \mathcal{T}_0 \mid \forall i, T_i(p, k_1, \dots, k_i) = 1\} . \quad (4)$$

Thus, the test functions are defined so that:  $\mathcal{T}_\ell(k) \neq \emptyset$  if and only if, there exist a given pair  $p \in \mathcal{T}_0$  such that  $k$  makes the impossible differential appear for  $p$ . The computation of  $\mathcal{T}_\ell(k)$  thus yields a probabilistic procedure that discards a wrong subkey with some probability.

As long as there are less remaining key candidates than the whole of  $K_{\text{in} \cup \text{out}}$ , we can recover the rest of the key by exhaustive search, and it will be more efficient than an exhaustive search on the whole key space  $K$ . Naturally, the pair filtering step must also be more efficient than the exhaustive search of  $K$ .

## 2.2 Classical Complexity

In this section, we provide both the data complexity and the time complexity of the impossible attack previously described in [12].

*Number of Pairs.* In impossible differential attacks, the data complexity, and the time complexity of the first step, are both determined by the number  $N$  of pairs in the table  $\mathcal{T}_0$ .

Considering a differential pair with input difference in  $D_{\text{in}}$  and output difference in  $D_{\text{out}}$ , we denote by  $c_{\text{in}}$  the number of bit conditions for a pair to propagate to a difference of  $\Delta_X$  at round  $r_{\text{in}}$ , and  $c_{\text{out}}$  the number of bit conditions to reach a difference of  $\Delta_Y$  at round  $r_{\text{in}} + r_{\text{imp}}$ . Hence, a pair propagates to the middle part both from the plaintext and the ciphertext with probability  $2^{-(c_{\text{in}}+c_{\text{out}})}$ . A given trial key  $k \in K_{\text{in} \cup \text{out}}$  is kept among the candidate keys with probability

$$P = \left(1 - 2^{-(c_{\text{in}}+c_{\text{out}})}\right)^N . \quad (5)$$

By applying log to both sides, we obtain

$$N = \mathcal{O}\left(\log \frac{1}{P} \cdot 2^{c_{\text{in}}+c_{\text{out}}}\right) . \quad (6)$$

Different trade-offs are therefore possible between  $P$  and  $N$ . A popular strategy, generally used by default is to choose  $N$  such that only the right key is left after the sieving procedure. This means  $P < \frac{1}{|K_{\text{in} \cup \text{out}}|}$  therefore  $N = \mathcal{O}(2^{c_{\text{in}}+c_{\text{out}}} \cdot |K_{\text{in} \cup \text{out}}|)$ . Another way consists in taking  $P = \frac{1}{2}$  which removes half of the candidate keys.

*Time Complexity.* We emphasize that the search of the impossible differential pattern is not involved here. We suppose, as it is common in the literature, that a good impossible differential pattern is already known. We detail here the complexity of both steps of the sieving phase.

*Pair Generation.* We let  $\Delta_{\text{in}}$  and  $\Delta_{\text{out}}$  be the dimension of the vector spaces  $D_{\text{in}}$  and  $D_{\text{out}}$ , so  $|D_{\text{in}}| = 2^{\Delta_{\text{in}}}$  and  $|D_{\text{out}}| = 2^{\Delta_{\text{out}}}$ . The complexity of the Pair Generation problem was studied in [22] for the special case where  $N = 1$ . The complexity for finding *one* such pair with access to encryption and decryption oracles is given by:

$$C_1 = \max \left( \min_{\Delta \in \{\Delta_{\text{in}}, \Delta_{\text{out}}\}} \sqrt{2^{n+1-\Delta}}, 2^{n+1-(\Delta_{\text{in}}+\Delta_{\text{out}})} \right). \quad (7)$$

This is optimal if  $E$  behaves like a random permutation, as shown in [24]. A naive way to build  $N$  pairs would be to use this technique  $N$  times and get a complexity of  $N \cdot C_1$ . However, as shown in [12], with access to encryption and decryption oracles, it is possible to reduce this complexity to:

$$C_N = \max \left( \min_{\Delta \in \{\Delta_{\text{in}}, \Delta_{\text{out}}\}} \sqrt{N2^{n+1-\Delta}}, N2^{n+1-(\Delta_{\text{in}}+\Delta_{\text{out}})} \right). \quad (8)$$

*Pair Filtering.* We describe generically the *early-abort* procedure that finds the good guess of the key, assuming that there is only one. Note that if the subkey has sufficiently many independent parts, and if we are able to perform some precomputations, we can expect the time complexity of this phase to be about  $|K_{\text{in} \cup \text{out}}|$ . In some cases, especially if there are too many key-schedule relations which reduce the size of  $K_{\text{in} \cup \text{out}}$ , it will be higher.

We divide  $K_{\text{in} \cup \text{out}} = K_1 \times K_2 \times \dots \times K_\ell$ . Recall that there is an ordering of the test functions:  $T_1$  can be computed immediately from the pair  $p$  and a guess  $k_1 \in K_1$ ; then  $T_2$  can be computed from  $p, k_1$  and a guess  $k_2$ , *etc.* Typically,  $k_1$  will be a key guess for the first round, and  $k_2$  a key guess for the second round. Given this ordering of the test functions, the early-abort strategy relies on the definition of *intermediate tables*: we do not compute directly  $\mathcal{T}_\ell(k)$  for all key guesses  $k$ , and instead, we compute tables  $\mathcal{T}_i$  which depend on some partial key guess, and are partially filtered with respect to a subset of the test functions.

**Definition 1 (Intermediate Tables).** *Given a partial key guess  $(k_1, \dots, k_i) \in K_1 \times \dots \times K_i$ , given the initial table  $\mathcal{T}_0$  of pairs, the intermediate table of  $(k_1, \dots, k_i)$  contains all the pairs satisfying the test functions which can be computed from  $(k_1, \dots, k_i)$ :*

$$\mathcal{T}_i(k_1, \dots, k_i) := \{p \in \mathcal{T}_0, T_1(p, k_1) = 1, T_2(p, k_1, k_2) = 1, \dots, T_i(p, k_1, \dots, k_i) = 1\} .$$

The early-abort technique (Algorithm 1) relies on the inclusion of intermediate tables:  $\forall i \geq 1, \mathcal{T}_i(k_1, \dots, k_i) \subseteq \mathcal{T}_{i-1}(k_1, \dots, k_{i-1})$ . This allows to enumerate the complete guesses  $(k_1, \dots, k_\ell)$  such that  $\mathcal{T}_\ell(k_1, \dots, k_\ell) = \emptyset$  by looping over the guesses  $k_i$  and backtracking to previously computed tables, instead of re-computing them from the start.

For a given sequence of keys  $k_1, \dots, k_i$ , we define:

$$\sigma_i = \Pr_{p \leftarrow \mathcal{T}_0} (T_i(p, k_1, \dots, k_i) = 1) .$$

---

**Algorithm 1** Finding the good key guess, by filtering the pairs.

---

**Input:** a table  $\mathcal{T}_0$  for the pairs

**Output:** finds the only key  $k$  for which there is no invalidating pair

```

1: for all  $k_1 \in K_1$  do
2:   Build  $\mathcal{T}_1(k_1) = \{p \in \mathcal{T}_0, T_1(p, k_1) = 1\}$ 
3:   for all  $k_2 \in K_2$  do
4:     Build  $\mathcal{T}_1(k_1) = \{p \in \mathcal{T}_1, T_2(p, k_1, k_2) = 1\}$ 
   ...
5:   for all  $k_\ell \in K_\ell$  do
6:     Sieve the table  $\mathcal{T}_{\ell-1}(k_1, \dots, k_{\ell-1})$  according to  $T_\ell$ , obtain  $\mathcal{T}_\ell$ 
7:     If  $\mathcal{T}_\ell = \emptyset$ , then return  $(k_1, \dots, k_\ell)$ 
   ...

```

---

In general,  $\sigma_i$  can depend on the choice of the key, but in practice, the values are similar, and we can reason with the expectancy of  $\sigma_i$  over all key choices ( $\sigma_i \simeq \mathbb{E}_k(\sigma_i(k))$ ). Then the sizes of the tables  $\mathcal{T}_0, \dots, \mathcal{T}_{\ell-1}$  are  $N, \sigma_1 N, \dots, (\prod_{i=1}^{\ell-1} \sigma_i) N$ . Assuming that each new table is built by enumerating the previous table, the time complexity of [Algorithm 1](#) can be written as:

$$\begin{aligned}
& |K_1| \left( \underbrace{N}_{\text{Build } \mathcal{T}_1} + |K_2| \left( \sigma_1 N + |K_3| \left( \sigma_1 \sigma_2 N + \dots + |K_\ell| \left( \prod_{i=1}^{\ell-1} \sigma_i \right) N \right) \right) \right) \\
&= N \left( |K_1| + \sigma_1 |K_1| |K_2| + \sigma_1 \sigma_2 |K_1| |K_2| |K_3| + \dots + \prod_{i=1}^{\ell-1} \sigma_i \prod_{i=1}^{\ell} |K_i| \right) \quad (9)
\end{aligned}$$

Details can be found in [\[12\]](#). The memory complexity remains  $N$ .

There are more technical improvements that allow to reduce this complexity, some of which will be explored later in [Section 4.4](#). But this formula has the advantage of being generic and easy to transpose to the quantum setting, as we will see in [Section 4.3](#). Note that, in the case where there is more than one key left after the sieving, [Algorithm 1](#) will enumerate them all.

### 3 Preliminaries of Quantum Computing

In this section we first provide some notions of quantum computing required in this paper: we introduce the quantum circuit model, notions of quantum complexity, of quantum-accessible memory, and some of our quantum computing tools. We also define the two quantum attacker scenarios commonly found in the literature, that will be considered in this paper, and give known results about the Pair Generation step of quantum impossible differential attacks.

#### 3.1 Quantum Computing Notions

We refer to [\[33\]](#) for a broad introduction to quantum computing. In this paper, we use the abstract model of *quantum circuits*. A quantum circuit starts from a set



of qubits (basic two-level quantum systems) and applies a sequence of elementary *quantum gates*, analogous to classical logic gates. The state of a quantum system is represented as a normalized vector in a Hilbert space, represented by the “ket”  $|\cdot\rangle$  notation, and quantum computations are unitary operators on this space. The width of the circuit (number of qubits) is the memory complexity of the algorithm. The depth of the circuit can be thought of as its wall-clock time, and the number of gates as the time complexity, since it represents the total number of operations applied.

In this paper, we will assume that a set of elementary gates is defined, but refrain from going into more details. As we study the cryptanalysis of block ciphers, when studying a cipher  $E$ , our unit of computation will be an evaluation of  $E$  or of  $E^{-1}$  (or for the AES, of an AES S-Box, which is the most costly component). The cipher can either be evaluated classically or as a quantum circuit. When querying it as a black-box with a secret key, there are two possibilities commonly considered in quantum symmetric cryptanalysis.

*Quantum attacker scenarios.* Following a standard terminology [26], we define two scenarios. In the  $Q1$  setting, the attacker has access to a quantum machine for accelerating his computations, but has only access to a classical cryptographic oracle: the black-box  $E$  can only be queried classically. In the  $Q2$  setting, the attacker can encrypt arbitrary quantum states using a *quantum embedding*  $O_E$  of  $E$  which performs the operation:  $|x\rangle|0\rangle \mapsto |x\rangle|E(x)\rangle$ .

*Quantum memory.* We will consider three types of memory: (1) large classical memories with classical random access; (2) quantum circuits with large amounts of qubits; (3) large amounts of qubits with *quantum random access*. The latter is named QRAQM in [29]. It can be modeled as the addition, to the quantum circuit model, of a “qRAM gate” (see *e.g.* [1]) which performs the equivalent of a classical memory access, read or write, but in superposition. Implementing a qRAM gate with only standard quantum gates would require a time proportional to the number of qubits in the circuit. The QRAQM model assumes that the qRAM gate is given as an additional basic gate (thus costing quantum time 1, if “time” is taken as the number of gates). This powerful memory model is used to obtain optimal time complexities in many advanced quantum algorithms, *e.g.*, collision finding for the limited birthday problem [1,6]. The results of this paper, notably the *quantum pair filtering* algorithm of Section 4, require large amounts of qubits, but not necessarily QRAQM. We will indicate whether this is the case.

## 3.2 Quantum Search

In this paper, we will use Grover’s algorithm [23] and its generalization from [13], *amplitude amplification*, that we will regroup under the name *quantum search*. In fact, we mostly use the simple setting of Grover search, where we are given a function  $f : \{0, 1\}^n \rightarrow \{0, 1\}$  and we want to find  $x_g$  such that  $f(x_g) = 1$ . If we have an implementation of the unitary  $O_f: |x\rangle \mapsto (-1)^{f(x)}|f(x)\rangle$ , and assuming

---

**Algorithm 2** Quantum search (Grover's algorithm).

---

**Input:** access to  $O_f$

**Output:** an  $n$ -qubit state such that when measured, the state collapses to  $x_g$  with high probability

- 1: Initialize  $n$  qubits in the state  $|0\rangle$
  - 2: Apply a Hadamard transform  $H^{\otimes n}$
  - 3: **Repeat**  $t$  **times**
  - 4:   Apply  $O_f$
  - 5:   Apply  $H^{\otimes n}$
  - 6:   Apply the inversion around zero operator:  $O_0 : |x\rangle \mapsto (-1)^{(x=0)}|x\rangle$   
    ▷ This requires  $\mathcal{O}(n)$  basic gates and is usually neglected
  - 7:   Apply  $H^{\otimes n}$
  - 8: **EndRepeat**
- 

that there is a single solution  $x_0$ , we can find it in  $\mathcal{O}(2^{n/2})$  calls to  $O_f$  instead of  $\mathcal{O}(2^n)$  calls to  $f$  classically.

Let us make two important remarks on this oracle  $O_f$ . First,  $O_f$  is equivalent, up to a few basic gates, to an oracle writing  $|x\rangle|0\rangle \mapsto |x\rangle|f(x)\rangle$ . This allows us to focus on the implementation of this second version. Second,  $O_f$  can be implemented with an *auxiliary state*  $\mathcal{T}: O_f|x\rangle|0\rangle|\mathcal{T}\rangle \mapsto |x\rangle|f(x)\rangle|\mathcal{T}\rangle$ . This auxiliary state can be understood as a memory (e.g. QRAM) which  $O_f$  reads from, without modifying it. As long as it does not get entangled with the register  $|x\rangle$ , it can be omitted from the analysis of quantum search.

In Grover's algorithm, and more generally amplitude amplification [13] we start from a state of the form:

$$\sin\theta|G\rangle + \cos\theta|B\rangle ,$$

where  $|G\rangle$  is the uniform superposition over the solutions ( $G = f^{-1}(1)$ ),  $|B\rangle$  is the uniform superposition of the non-solutions ( $B = f^{-1}(0)$ ) and  $\theta$  is such that  $\sin^2\theta$  is the initial probability of success. In our case,  $|G\rangle = |x_g\rangle$ ,  $|B\rangle = \frac{1}{\sqrt{2^n-1}} \sum_{x \neq x_g} |x\rangle$  and  $\theta = \arcsin 2^{n/2}$ . After  $t$  iterates in [Algorithm 2](#), the current state becomes:

$$\sin((2t+1)\theta)|G\rangle + \cos((2t+1)\theta)|B\rangle .$$

By choosing  $t$  such that  $(2t+1)\theta$  approaches  $\pi/2$ , the state becomes close to  $|G\rangle$ , and we will measure a solution with high probability (in our case, the single solution  $x_g$ ). In particular  $t = \lfloor \frac{\pi}{4\theta} \rfloor$  allows to succeed with probability at least  $\max(\sin^2\theta, 1 - \sin^2\theta)$ .

However, in our case, we will need to increase this probability of success to 1 exactly. This will allow to use [Algorithm 2](#) as an oracle testing the existence of solutions without making any errors. To do so, we would like to apply a non-integer number of iterations  $t = \frac{\pi}{4\theta} - \frac{1}{2}$ , which would make the final state equal to  $|G\rangle$ . While the original Grover search performs only an integer number of iterates, it is possible, as shown in [13] (Theorem 4) to correct the state with a final *partial* iterate. Of course, this correction is only possible because

we know the success probability (and the value of  $\theta$ ) exactly. It requires an arbitrary rotation gate, which can be approximated to a high precision using basic gates, thanks to the Solovay-Kitaev theorem [18,27]. We will consider this implementation to be exact.

**Theorem 1 (From Theorem 4 in [13]).** *Let  $f : \{0,1\}^n \rightarrow \{0,1\}$  with an oracle  $O_f$  (possibly using an auxiliary state), such that one of the two cases is true: there exists a single  $x_g \in \{0,1\}^n$  such that  $f(x_g) = 1$ , or  $f^{-1}(1) = \emptyset$ . There is a quantum algorithm that does not use any measurement, acts on  $n$  qubits initially in the state  $|0\rangle$  and outputs  $|x_g\rangle$  in the first case. It uses  $\lceil \frac{\pi}{4} \frac{1}{\arcsin 2^{-n/2}} - \frac{1}{2} \rceil \leq \frac{\pi}{4} 2^{n/2} + \frac{1}{2}$  calls to  $O_f$  and about  $\mathcal{O}(n)$  times more additional gates.*

*Proof.* We run an exact amplitude amplification assuming that a single solution exists, i.e., we run Algorithm 2 with a final, partial iterate to bring the probability of success exactly to 1.  $\square$

Thus, we can use Theorem 1 to check if  $f$  admits a solution with probability 1: in the first case, by applying  $f$  to the output, we obtain 1 with probability 1 (there are no false negatives). In the second case, by applying  $f$ , we obtain 0 with probability 1 (there are no false positives).

**Corollary 1.** *Let  $f_{\mathcal{T}} : \{0,1\}^n \mapsto \{0,1\}$  be a family of boolean functions such that  $f_{\mathcal{T}}^{-1}(1)$  contains 0 or 1 element. Let  $O_f$  be a unitary that applies  $f_{\mathcal{T}}$  using an auxiliary state  $|\mathcal{T}\rangle : O_f : |x\rangle|0\rangle|\mathcal{T}\rangle \mapsto |x\rangle|f(x)\rangle|\mathcal{T}\rangle$ . Let  $g(\mathcal{T}) = 1$  iff  $|f_{\mathcal{T}}^{-1}(1)| = 1$ . Then there exists a quantum circuit that implements the unitary  $O_g : |\mathcal{T}\rangle|0\rangle \mapsto |\mathcal{T}\rangle|g(\mathcal{T})\rangle$ . This algorithm uses at most  $\frac{\pi}{2} 2^{n/2} + 2$  calls to  $O_f$ .*

*Proof.* For a fixed auxiliary state  $\mathcal{T}$ , we run the algorithm  $\mathcal{A}$  of Theorem 1. It outputs a state which is either  $|f^{-1}(1)\rangle$  (the single preimage of 1 by  $f$ ) or a superposition of inputs which map to 0. After applying  $O_f$  on this output, the result depends only on  $\mathcal{T}$ . We can uncompute  $\mathcal{A}$  and keep only this bit, which specifies whether  $f_{\mathcal{T}}$  has a solution or not. Since all the operations applied are unitary, this applies as well to a superposition of auxiliary states  $|\mathcal{T}\rangle$ .  $\square$

### 3.3 Quantum Collision Search and Pair Generation

The first step of impossible differential attacks is to solve a *limited birthday* problem as defined in Section 2. For this step, we use existing quantum collision search algorithms [26,6]. Indeed, both quantum and classical algorithms for the limited birthday problem reduce it first to a *multiple collision search* problem.

*Problem 1 (Multiple collision search).* Let  $f : \{0,1\}^n \rightarrow \{0,1\}^m$  be a random function, with  $n \leq m \leq 2n$  and  $k$  such that  $k \leq 2n - m$ . Given query access to  $f$ , find  $2^k$  collision pairs of  $f$ , i.e.,  $2^k$  pairs of entries  $(x, y)$  such that  $x \neq y$  and  $f(x) = f(y)$ .

The constraints on  $k, n, m$  above ensure that enough collisions actually exist. For the best known classical and quantum algorithms, the query complexity matches the time complexity, although the memory consumption can be quite large depending on the respective values of  $k, n, m$ . In the classical setting, the problem is solved in time  $\mathcal{O}(2^{(m+k)/2})$ . In the quantum setting, the best known complexities are summarized as follows in [6]:

**Theorem 2 (From [6]).** *Let  $f : \{0, 1\}^n \rightarrow \{0, 1\}^m$ ,  $n \leq m \leq 2n$  be a random function. Let  $k \leq 2n - m$ . There exists an algorithm finding  $2^k$  collisions in quantum time  $\tilde{\mathcal{O}}(2^{C(k,m,n)})$  (incl. qRAM gates), and using  $\tilde{\mathcal{O}}(2^{C(k,m,n)})$  quantum queries to  $f$ , where:*

$$C(k, m, n) = \max \left( \frac{2k}{3} + \frac{m}{3}, k + \min \left( m - n, \frac{m}{4} \right) \right). \quad (10)$$

The corresponding query lower bound, valid for any acceptable  $k$  and  $m$ , was given by Liu and Zhandry in [30]:  $\Omega(2^{2k/3+m/3})$ . It is conjectured to be tight for all  $n \leq m \leq 2m$  and  $k \leq 2n - m$ . Note that **Theorem 2** includes as special cases the Brassard-Høyer-Tapp collision search algorithm [14] ( $k = 0, m = n$ ) and Ambainis' element distinctness algorithm [1] ( $k = 1, m = 2n$ ). For the latter, a precise analysis was done in by Childs and Eisenberg [15]. They showed that the polynomial factor in the complexity was essentially a constant. By running  $(\lfloor \frac{\pi}{2} 2^{m/3} \rfloor)^2$  evaluations of  $f$ , and additional memory operations, a solution is obtained with probability exponentially close to 1. The algorithm of [6], similarly to Ambainis', relies on a quantum walk, so we can also expect its polynomial factor to be small.

In this paper, we assume the evaluation of the function to be the most costly step, so we take these complexities (including the one of **Theorem 2**) without  $\mathcal{O}$  and with a multiplicative factor  $\frac{\pi^2}{4}$  only. We focus hereafter only on the exponent.

*Formulas for the Quantum Complexity.* Like the classical ones, the quantum algorithms for Pair Generation consist in finding multiple collisions in *structures*, which are affine subspaces of  $\{0, 1\}^n$  of the form  $T_x = \{x \oplus v, v \in D_{\text{in}}\}$  (among the inputs) or  $T'_x = \{x \oplus v, v \in D_{\text{out}}\}$  (among the outputs).

For any input (resp. output) structure we can define a function  $H_x : \{0, 1\}^{\Delta_{\text{in}}} \rightarrow \{0, 1\}^{n-\Delta_{\text{out}}}$  (resp.  $H'_x : \{0, 1\}^{\Delta_{\text{out}}} \rightarrow \{0, 1\}^{n-\Delta_{\text{in}}}$ ), which is the restriction of  $E$  to the structure, composed with a linear mapping that projects to a space orthogonal to  $D_{\text{out}}$  (resp.  $D_{\text{in}}$ ):  $H_x(y) = L \circ E(y)$ . Thus, any collision of  $H_x$  is a pair  $y, z$  such that:  $\bullet y, z \in T_x \implies y \oplus z \in D_{\text{in}}$ , and  $\bullet H_x(y) = H_x(z) \implies L(E(y) \oplus E(z)) = 0 \implies E(y) \oplus E(z) \in D_{\text{out}}$  by definition of  $L$  and  $H_x$ . The same goes for  $H'_x$  by replacing  $E$  by its inverse.

Following [6], we have three choices for input structures, depending on the number of required pairs  $N$ :

- If  $N < \frac{2^{2\Delta_{\text{in}}}}{2^{n-\Delta_{\text{out}}}} \iff \log_2 N < 2\Delta_{\text{in}} - n + \Delta_{\text{out}}$ , then we need only one structure. To recover all the pairs, we need a time exponent :

$$\max\left(\frac{2\log_2 N}{3} + \frac{n - \Delta_{\text{out}}}{3}, \log_2 N + \min\left(n - \Delta_{\text{out}} - \Delta_{\text{in}}, \frac{n - \Delta_{\text{out}}}{4}\right)\right)$$

- If  $\frac{2^{2\Delta_{\text{in}}}}{2^{n-\Delta_{\text{out}}}} < 1$ , then we fall back on the approach of [26], which is to repeat  $N$  times a Grover search among structures, to find one that contains a pair. Checking if a structure of size  $2^{\Delta_{\text{in}}}$  contains a pair is an element distinctness problem, which is solved with Ambainis' algorithm in time  $\mathcal{O}(2^{2\Delta_{\text{in}}/3})$ . The time exponent for this case is  $\log_2 N + \frac{n-\Delta_{\text{out}}}{2} - \frac{\Delta_{\text{in}}}{3}$ .
- If  $1 < \frac{2^{2\Delta_{\text{in}}}}{2^{n-\Delta_{\text{out}}}} < N$ , we need to consider several structures and to extract all of their collision pairs. This gives a time exponent:

$$\log_2 N + \max\left(\frac{2}{3}(n - \Delta_{\text{in}} - \Delta_{\text{out}}), \min\left(n - \Delta_{\text{out}} - \Delta_{\text{in}}, \frac{n - \Delta_{\text{out}}}{4}\right)\right) .$$

We can also swap the roles of  $\Delta_{\text{in}}$  and  $\Delta_{\text{out}}$ .

*Conjecture.* If we conjecture that the complexity  $\mathcal{O}(2^{\frac{2k}{3} + \frac{m}{3}})$  for the multiple collision search problem can actually be reached for the whole parameter range of [Theorem 2](#) (and therefore, that the query lower bound is tight everywhere), all the six cases above can be merged into a single formula reminiscent from the classical one.

*Conjecture 1.* Let  $E : \{0, 1\}^n \rightarrow \{0, 1\}^n$  be a block cipher. Given quantum oracles for  $E$  and its inverse ( $O_E$  and  $O_{E^{-1}}$ ), the limited birthday problem can be solved in quantum time

$$Q_N = \max\left(\min_{\Delta \in \{\Delta_{\text{in}}, \Delta_{\text{out}}\}} N^{\frac{2}{3}} 2^{\frac{n-\Delta}{3}}, \min\left(N 2^{\frac{2}{3}(n-\Delta_{\text{out}}-\Delta_{\text{in}})}, \min_{\Delta \in \{\Delta_{\text{in}}, \Delta_{\text{out}}\}} N 2^{\frac{n}{2} - \frac{\Delta}{6} - \frac{\Delta_{\text{in}} + \Delta_{\text{out}}}{3}}\right)\right) . \quad (11)$$

## 4 Quantum Pair Filtering

In this section, we focus on the pair filtering step. We design a quantum version of the early-abort algorithm ([Algorithm 1](#)) and we study its time complexity.

### 4.1 Assumptions on the Attack

Recall that we have divided  $K_{\text{in} \cup \text{out}} = K_1 \times K_2 \times \dots \times K_\ell$ , and that there exists separate *test functions*  $T_1(p, k_1), T_2(p, k_1, k_2), \dots, T_\ell(p, k_1, \dots, k_\ell)$  that decide whether a pair  $p$  invalidates the key guess  $k_1, \dots, k_\ell$ . Our goal is to solve the following problem.

*Problem 2.* Given the table  $\mathcal{T}_0$  that contains the precomputed pairs, find the keys  $(k_1, \dots, k_\ell)$  such that:

$$\exists! p, (T_1(p, k_1) = 1 \wedge \dots \wedge T_\ell(p, k_1, \dots, k_\ell) = 1) \iff \mathcal{T}_\ell(k_1, \dots, k_\ell) = \emptyset .$$

**Algorithm 1** enumerates all the key guesses for which there exists no invalidating pair, using  $\ell$  nested loops. The quantum version of this algorithm relies on nested amplitude amplification subroutines, using **Corollary 1**. In order to ensure its correctness, we first need to make some *classical* assumptions on the attack. If these assumptions are satisfied, then we will show that our algorithm solves **Problem 2 with probability 1**. So if the assumptions are satisfied with probability  $a$ , then it will succeed with the same probability  $a$ .

First of all, we want a single solution. Following the analysis in **Section 2.2**, this happens w.h.p. if we take  $N$  large enough.

**Assumption 1.** *Given the initial table  $\mathcal{T}_0$ , there exists a single key  $(k_1, \dots, k_\ell)$  such that  $\mathcal{T}_\ell(k_1, \dots, k_\ell) = \emptyset$ .*

Second, we need global bounds on the size of intermediate tables. In the following, we will use the notation  $N_i(k_1, \dots, k_i) := |\mathcal{T}_i(k_1, \dots, k_i)|$ , and  $N_0 := N$ .

**Assumption 2.** *No intermediate table exceeds twice its expected size:*

$$\forall k_1, \dots, k_i, N_i(k_1, \dots, k_i) \leq 2 \left( \prod_{j=1}^i \sigma_j \right) N .$$

**Assumption 2** can be reduced to the assumption that, though it can vary between key guesses, there is an upper bound  $\sigma_i$  on the probability to be filtered. This is a heuristic assumption related to the independence of the filtering conditions, which is supposed to hold for the targeted cipher.

**Assumption 3.** *Let  $\mathcal{T}_i(k_1, \dots, k_i)$  be any intermediate table (incl. the case  $\mathcal{T}_0$ ). Then:*

$$\forall k_{i+1}, \Pr_{p \leftarrow \mathcal{T}_i(k_1, \dots, k_i)} (T_{i+1}(p, k_1, \dots, k_{i+1})) \leq \sigma_i . \quad (12)$$

*In other words, the probability to pass the condition  $T_i$  can vary, but it has some global upper bound  $\sigma_i$ .*

We can then use a Chernoff inequality to upper bound the maximal size of intermediate tables, over all key guesses.

**Lemma 1.** *Under **Assumption 3**:*

$$\mathbb{E}_{\mathcal{T}_0} (N_i(k_1, \dots, k_i)) \leq 2 \left( \prod_{j=1}^i \sigma_j \right) N_0 , \quad \text{and:} \quad (13)$$

$$\begin{aligned} \Pr_{\mathcal{T}_0} \left( \exists i, \exists k_1, \dots, k_i, N_i(k_1, \dots, k_i) \geq 2 \mathbb{E}_{\mathcal{T}_0} (N_i(k_1, \dots, k_i)) \right) \\ \leq \sum_{i=1}^{\ell} \left( \prod_{j=1}^i |K_j| \right) 2^{-0.48(\prod_{j=1}^i \sigma_j) N_0} . \quad (14) \end{aligned}$$

*Proof.* Let us fix  $i$  and a choice of  $k_1, \dots, k_i$ . For all pairs  $p$  in  $\mathcal{T}_{i-1}(k_1, \dots, k_{i-1})$ , the events that  $p$  falls in  $\mathcal{T}_i(k_1, \dots, k_i)$  are independent and of probability less than  $\sigma_i$  (by [Assumption 3](#)). This also allows to deduce:

$$\begin{aligned} \forall k_1, \dots, k_i, \Pr_{p \leftarrow \mathcal{T}_0} (p \in \mathcal{T}_i(k_1, \dots, k_i)) \\ \leq \Pr_{p \leftarrow \mathcal{T}_0} (T_1(p, k_1) = 1) \times \dots \times \Pr_{p \leftarrow \mathcal{T}_{i-1}(k_1, \dots, k_{i-1})} (T_i(p, k_1, \dots, k_i) = 1) \leq \prod_{j=1}^i \sigma_j . \end{aligned}$$

By independence, we deduce [Equation 13](#). Next, we apply a Chernoff bound for this given choice of  $k_1, \dots, k_i$ :

$$\Pr_{\mathcal{T}_0} (N_i(k_1, \dots, k_i) \geq 2 \mathbb{E} (N_i(k_1, \dots, k_i))) \leq e^{-\mathbb{E}(N_i(k_1, \dots, k_i))/3} .$$

By summing this over all choices of key sequences, we obtain the bound of [Equation 14](#).  $\square$

Thanks to [Lemma 1](#), we can check that [Assumption 2](#) is satisfied with high probability. In practice, we can just stop the filtering process when the intermediate tables become expectedly too small, e.g. of size below  $2^{16}$ .

## 4.2 Filtering of a Table

From now on, we assume that [Assumption 1](#) and [Assumption 2](#) are satisfied. Let  $M_i = 2 \mathbb{E} (N_i) = 2 \left( \prod_{j \leq i} \sigma_j \right) N_0$  be the (maximal) size of intermediate tables  $\mathcal{T}_i$  at level  $i$ . We manipulate quantum states that contain either:

- Partial key guesses  $k_i$ : in that case, we just use a register with as many qubits as there are bits in  $k_i$
- Intermediate tables  $\mathcal{T}_i$ : in that case, we allocate  $M_i = 2 \mathbb{E} (N_i)$  qubit registers, where each register holds either a pair or a dummy element. By [Assumption 2](#), this is enough space to represent all intermediate tables; thus, although this data can be in superposition (as it depends on the key guess), there is no case in which the table would exceed the space that we allocated to write it.

We introduce additional notations to make precise time and memory complexity estimates. Since we want to count the time complexity relatively to a cipher evaluation, we introduce: •  $t_i$  the time to evaluate the condition  $T_i$ ; •  $t$  the time to perform an operation such as a copy or swap on a register that contains a pair. We count the memory complexity in number of pairs (a pair can be stored on a  $4n$ -bit register).

First of all, we compute the time to filter an intermediate table.

**Lemma 2.** For all  $i$ , there exists a quantum circuit  $F_i$  that maps:

$$|\mathcal{T}_i(k_1, \dots, k_i)\rangle|k_{i+1}\rangle|0\rangle \mapsto |\mathcal{T}_i(k_1, \dots, k_i)\rangle|k_{i+1}\rangle|\mathcal{T}_{i+1}(k_1, \dots, k_i, k_{i+1})\rangle|*\rangle ,$$

where  $*$  are computation qubits that depend only on  $k_1, \dots, k_i, k_{i+1}$ . The time complexity, relative to a cipher evaluation, is bounded by:

$$\begin{cases} M_i(t_{i+1} + t) & \text{in the QRAQM model} \\ M_i(t_{i+1} + \frac{(\log_2 M_i)^2}{4}t) & \text{otherwise} \end{cases} \quad (15)$$

and the memory complexity by  $M_i$  or  $M_i \frac{(\log_2 M_i)^2}{4}$  (mainly due to the  $*$  state).

*Proof.* We start by computing the condition  $\mathcal{T}_i$  for all pairs in the table  $\mathcal{T}_i(k_1, \dots, k_i)$ . We store the result (0 or 1) in additional qubits. We initialize the output table  $\mathcal{T}_{i+1}$  with  $M_{i+1}$  “dummy” pairs. Then, we take all the good pairs in  $\mathcal{T}_i$  and move them to  $\mathcal{T}_{i+1}$ . There are two ways to do so.

- If we can use qRAM gates, this operation is efficient. We create a quantum register which contains a *counter*  $c$ , counting the number of good pairs which have been seen so far. The value of the counter at each time is a deterministic function of  $\mathcal{T}_i$ . However,  $\mathcal{T}_i$  is in superposition, the counter is a superposition as well (entangled with the state of the table).

To move all the good pairs, we apply a sequence of  $M_i$  subcircuits  $C_j$  ( $0 \leq j \leq M_i - 1$ ). Each  $C_j$  does three operations: 1) read the pair at index  $j$ , check if it is good; 2) controlled on the pair being good, increment the counter  $c$ ; 3) controlled on the pair being good, copy the pair at index  $c$  in  $\mathcal{T}_{i+1}$ .

Thus, the sequence of circuits requires  $|\mathcal{T}_i| = M_i$  increment and copy operations. The use of qRAM gates comes from the copies. Indeed, the position at which we need to write in the next table depends on the current counter  $c$ . However, the value of  $c$  depends on the position of the good pairs among the table  $\mathcal{T}_i$ , so it depends on  $\mathcal{T}_i$  itself. Since  $\mathcal{T}_i$ , throughout the algorithm, is in superposition, this functionality requires qRAM gates.

- The alternative to qRAM gates is to apply a reversible sorting network, which will move all the elements of  $\mathcal{T}_i$  flagged “1” to, say, the  $M_i$  first indices in the memory. We then copy these  $M_i$  cells (conditioned on whether the copied pair is actually good).

In the second case, the amount of computations increases by a factor  $\frac{(\log_2 M_i)^2}{4}$  due to the sorting network. However, the sorting network contains only comparators and swaps, and does not require to recompute the filtering conditions.  $\square$

It should be noted that the  $|*\rangle$  is here to ensure reversibility of these operations. We could perform uncomputations to erase it immediately, but we prefer to wait until the table  $\mathcal{T}_{i+1}(k_1, \dots, k_i, k_{i+1})$  is not needed anymore. Then we will erase not only the table, but also all of the computations that led to it.



*Remark 1 (Reversible sorting networks).* In order to sort a table of  $2^\ell$  values, we use the *odd-even mergesort* of Batchier [2]. It uses  $S(2^\ell) = 2^{\ell-1} \frac{\ell(\ell-1)}{2} + 2^\ell - 1$  comparators and swaps of registers, that we can approximate to  $2^{\ell-2}(\ell^2)$   $n$ -qubit register operations of time  $t$  each. In order to make it reversible, we need  $S(2^\ell)$  qubits that contain the results of the comparators.

### 4.3 Exact Pair Filtering

We can build our Pair Filtering algorithm by interleaving calls to the filtering circuit of Lemma 2 with instances of exact amplitude amplification. For a current set of partial key guesses  $(k_1, \dots, k_i)$ , with a corresponding intermediate table, we use Corollary 1 to check whether this set of key guesses leads to the single solution or not. We use  $k_1^g, \dots, k_\ell^g$  to denote this solution.

**Lemma 3.** *Let  $1 \leq i \leq \ell$ . Let  $t_i$  be the time (in quantum operations) to compute the condition  $\mathcal{T}_i$ . There exists a quantum circuit (unitary)  $U_i$  that, on an input state of the form:*

$$|k_1, \dots, k_i\rangle |\mathcal{T}_{i-1}(k_1, \dots, k_{i-1})\rangle,$$

*writes 1 in an output qubit iff there exists a completion  $k_{i+1}, \dots, k_\ell$  such that  $k_1, \dots, k_\ell$  is the good key, and 0 otherwise. Assuming QRAQM, it runs in time:*

$$2 \sum_{j=i}^{\ell} M_{j-1}(t_j + t) \left(\frac{\pi}{2}\right)^{j-i} \sqrt{\prod_{m=i}^j |K_m|}, \text{ using a memory of size } M_{i-1}.$$

*Proof.* We start by describing  $U_\ell$ , the innermost step. It starts from the table  $\mathcal{T}_{\ell-1}(k_1, \dots, k_{\ell-1})$ , and  $k_1, \dots, k_\ell$ . It simply needs to compute  $\mathcal{T}_\ell$  for all the elements of the table, and check if one of them passes the test (if it's the case, then this is not the good key guess). This is done in time  $2M_{\ell-1}(t_\ell + t)$  (including an uncomputation).

Next, we assume the existence of  $U_{i+1}$  for some  $i \geq 1$ , and we show how to build  $U_i$  from  $U_{i+1}$ .

Consider an input state of the form:  $|k_1, \dots, k_i\rangle |\mathcal{T}_{i-1}(k_1, \dots, k_{i-1})\rangle$ . We first use the circuit  $F_{i-1}$  of Lemma 2 to create the table  $|\mathcal{T}_i(k_1, \dots, k_i)\rangle$  (as well as the additional  $|*\rangle$  state). Next, we try to find  $k_{i+1}$  such that  $k_1, \dots, k_i, k_{i+1}$  can be completed into the good key. This is the situation that we considered in Corollary 1. We have:

- an auxiliary state  $|\mathcal{T}\rangle$  containing  $|k_1, \dots, k_i\rangle$ , the tables  $\mathcal{T}_{i-1}$  and  $\mathcal{T}_i$ ;
- a search space  $K_{i+1}$  of fixed size, containing exactly one or zero solution;
- a test function that, using the auxiliary state, can find whether  $k_{i+1}$  can be completed into the good key: this is the unitary  $U_{i+1}$  given by our recurrence hypothesis.

By Corollary 1, which uses a single instance of amplitude amplification, we obtain a unitary that tests whether the current auxiliary state leads to a solution or

not, which uses less than  $\frac{\pi}{2}\sqrt{|K_{i+1}|} + 2$  calls to  $U_{i+1}$ . We apply this unitary. Finally, we uncompute the circuit  $F_{i-1}$  to delete the table  $\mathcal{T}_i$  and the associated computation qubits.

We have by recursion, and by [Lemma 2](#) (assuming the qRAM case):

$$\begin{cases} \text{time}(U_i) = \left(\frac{\pi}{2}\sqrt{|K_{i+1}|} + 2\right) (t + \text{time}(U_{i+1})) + 2M_{i-1}(t_i + t) \\ \text{time}(U_\ell) = 2M_{\ell-1}(t_\ell + t) \end{cases}$$

so we approximate  $\text{time}(U_i)$  to:

$$2 \sum_{j=i}^{\ell} M_{j-1}(t_j + t) \left(\frac{\pi}{2}\right)^{j-i} \sqrt{\prod_{m=i+1}^j |K_m|} .$$

The memory complexity is equal to the sum of all  $M_{j-1}(t_j+t)$  for the involved filtering circuits. In practice, the size of the first table dominates all the others significantly, and we can approximate it by  $M_{i-1}(t_i + t)$ .  $\square$

Our pair filtering algorithm is then obtained by using  $U_1$  in a quantum search for  $k_1$ , where we start from the table  $\mathcal{T}_0$  (this one is also an exact amplitude amplification, since we assumed that there was exactly one solution). The memory complexity is dominated by  $|\mathcal{T}_0|$ .

**Corollary 2.** *Under our assumptions, there exists a quantum pair filtering algorithm that finds the single good  $k_1, \dots, k_\ell$  in time:*

$$2N \sum_{j=1}^{\ell} (t_j + t) \left(\prod_{m=1}^{j-1} \sigma_m\right) \left(\frac{\pi}{2}\right)^j \sqrt{\prod_{m=1}^j |K_m|} ,$$

using  $N(\max t_i + t)$  qubits, in the QRAQM model.

We can also drop the QRAQM requirement by using the QRAQM-free version of [Lemma 2](#). This version replaces the multiplicative factor  $t_i + t$  by  $t_i + \frac{(\log_2 M)^2}{4}t$  when filtering a table of size  $M$ . Therefore, we can simply upper bound the total time complexity by multiplying the formula of [Corollary 2](#) by the maximum of all these factors.

**Corollary 3.** *Under our assumptions, there exists a quantum pair filtering algorithm that finds the single good  $k_1, \dots, k_\ell$  in time:*

$$N \left( \max_i t_i + \frac{(\log_2 N)^2}{4}t \right) \sum_{j=1}^{\ell} (t_j + t) \left(\prod_{m=1}^{j-1} \sigma_m\right) \left(\frac{\pi}{2}\right)^j \sqrt{\prod_{m=1}^j |K_m|} ,$$

using  $N \left( \max t_i + \frac{(\log_2 N)^2}{4}t \right)$  qubits, but no QRAQM.

Compared with the classical formula (Equation 9), we have put a square root on each  $|K_i|$ . Indeed, the algorithm that we obtain is no more than Algorithm 1 in which each exhaustive search loop on a partial key subspace is replaced by a quantum search.

We note that the overhead factor  $(\frac{\pi}{2})^\ell$  due to nesting quantum searches might be reduced using a refined analysis of these searches, such as the one of [35].

*Example.* We take an example with 3 subkey conditions (Algorithm 3). Here, there are three nested amplitude amplification routines.

- the innermost one searches a good  $k_3 \in K_3$  if it exists, by filtering  $\mathcal{T}_2$ : it runs in time  $\frac{\pi}{2}\sqrt{|K_3|} \times (\sigma_1\sigma_2N)(t_3 + t)$
- the middle one searches a good  $k_2 \in K_2$  if it exists, by filtering  $\mathcal{T}_1$  and building  $\mathcal{T}_2$ : it runs in time:

$$\frac{\pi}{2}\sqrt{|K_2|} \left( (\sigma_1N)(t_2 + t) + \frac{\pi}{2}\sqrt{|K_3|}(\sigma_1\sigma_2N)(t_3 + t) \right)$$

- the outermost one searches a good  $k_1 \in K_1$ :

$$\frac{\pi}{2}\sqrt{|K_1|} \left( N(t_1 + t) + \frac{\pi}{2}\sqrt{|K_2|} \left( (\sigma_1N)(t_2 + t) + \frac{\pi}{2}\sqrt{|K_3|}(\sigma_1\sigma_2N)(t_3 + t) \right) \right) ,$$

which we can simplify into:

$$\frac{\pi}{2}\sqrt{|K_1|} \left( N + \frac{\pi}{2}\sqrt{|K_2|} \left( (\sigma_1N) + \frac{\pi}{2}\sqrt{|K_3|}(\sigma_1\sigma_2N) \right) \right) \max_i(t_i + t) .$$

#### 4.4 Improved Pair Filtering in Practice

In some cases, and using QRAQM, we can improve the computation of intermediate tables given in Lemma 2. Since usually, the treatment of the first table ( $\mathcal{T}_0$ , of size  $N$ ) dominates the other steps, we will focus on this one. Note that these improvements do not incur any change in the rest of the algorithm.

*Precomputation of the Conditions.* Let us assume that the first filtering condition  $T_1(p, k_1)$  depends actually only on a small part of the pair  $p$ , say  $p_1$ . Instead of having to compute  $T_1$  for all  $p$  in  $\mathcal{T}_0$ , we can recompute the entire lookup table of  $T_1$ . Then, given  $k_1$ , we can obtain the next pairs in two steps: (1) we read the values of the  $p_1$  such that  $T(p_1, k_1) = 1$ ; (2) for each  $p_1$ , we fetch the pairs that have this value.

Previously, we needed a time  $N(t_1 + t)$  (with QRAQM) to compute  $\mathcal{T}_1(k_1)$  for a given  $k_1$ . Now, we can reduce this time to  $2\sigma_1Nt$ , assuming the precomputation of  $T_1$ . Indeed, we can sort the pairs in  $\mathcal{T}_0$  by their  $p_1$  value, in order to read them efficiently.

We can also use this precomputation at a later step. For example, if  $T_2(p, k_1, k_2)$  depends actually only on  $p_2$ , then we can also:

---

**Algorithm 3** Quantum pair filtering with 3 conditions (simplified).

---

**Input:** a table  $\mathcal{T}_0$  for the pairs

**Output:** the key  $k_1, k_2, k_3$  for which there is no invalidating pair

- 1: Initialize registers for  $k_1, k_2, k_3$  to 0
  - 2: Apply a Hadamard transform on the  $k_1$  register
  - 3: **Repeat**  $\frac{\pi}{4 \arcsin |K_1|^{-1/2}} - \frac{1}{2}$  **times**  
     $\triangleright$  Actually an amplitude amplification with partial final iterate
  - 4:   **Test**  $k_1$ :  $\triangleright$  At this point,  $|k_2, k_3\rangle$  contain  $|0, 0\rangle$
  - 5:   Compute  $\mathcal{T}_1(k_1) = \{p \in \mathcal{T}_0, T_1(p, k_1) = 1\}$
  - 6:   Apply the following unitary  $U_1$ :
  - 7:   Apply a Hadamard transform on the  $k_2$  register
  - 8:   **Repeat**  $\frac{\pi}{4 \arcsin |K_2|^{-1/2}} - \frac{1}{2}$  **times**
  - 9:     **Test**  $k_2$ :  $\triangleright$  At this point,  $|k_3\rangle$  contains  $|0\rangle$
  - 10:     Compute  $\mathcal{T}_2(k_1, k_2) = \{p \in \mathcal{T}_1(k_1), T_2(p, k_2) = 1\}$
  - 11:     Apply the following unitary  $U_2$  on  $|k_3\rangle$ :
  - 12:     Apply a Hadamard transform on the  $k_3$  register
  - 13:     **Repeat**  $\frac{\pi}{4 \arcsin |K_3|^{-1/2}} - \frac{1}{2}$  **times**
  - 14:       Flip the phase if  $\mathcal{T}_3$  is empty
  - 15:       Apply the Grover diffusion transform on  $|k_3\rangle$
  - 16:     **EndRepeat**
  - 17:     If a solution was found, flip the phase of  $|k_2\rangle$
  - 18:     Uncompute  $U_2$
  - 19:     Erase  $\mathcal{T}_1(k_1)$
  - 20:     **End of test for**  $k_2$
  - 21:     Apply the Grover diffusion transform on  $|k_2\rangle$
  - 22:   **EndRepeat**
  - 23:   If a solution was found, flip the phase of  $|k_1\rangle$
  - 24:   Uncompute  $U_1$
  - 25:   Erase  $\mathcal{T}_1(k_1)$
  - 26:   **End of test for**  $k_1$
  - 27:   Apply the Grover diffusion transform on  $|3\rangle$
  - 28: **EndRepeat**
- 

- precompute the lookup table of  $T_2(\cdot, k_1, \cdot)$  for a given  $k_1$ , before running the nested search on  $k_2$ ;
- for a given  $k_2$ , compute  $\mathcal{T}_2(k_1, k_2)$  efficiently in time  $2\sigma_2\sigma_1 Nt$  instead of time  $2\sigma_1 N(t_2 + t)$

However, this now requires to sort  $\mathcal{T}_1(k_1)$  with respect to  $p_2$  when we compute it, and this additional term must be taken into account.

*Quantum Filtering.* It is possible to speed up the filtering using quantum search. Indeed, when computing  $\mathcal{T}_1(k_1)$  from  $\mathcal{T}_0$ , we expect to find  $\sigma_1 N$  filtered pairs among the  $N$  initial ones. In the QRAQM model, we can find filtered pairs using a Grover search among all the pairs. We need about  $\frac{1}{\sqrt{\sigma_1}}$  search iterates, thus all of them are found in time  $\sqrt{\sigma_1} N$  instead of  $N$ . However, we must fix a number

of quantum search iterates for a computation that is done in superposition over  $k_1$ . Thus, there will be some probability of error.

**Assumption 2** tells us that the actual number of filtered pairs, at any level, does not exceed twice its expectation. By strengthening this assumption a little, we can suppose that the actual probability of success of a search for good pairs will fall in  $[a/2; 3a/2]$  where  $a$  is the expected success probability. Then, by Lemma 5 in [10], the search succeeds with probability larger than  $3/4$  (if we measured its result immediately). If the table being constructed is large enough, this is sufficient.

**Lemma 4.** *There exists a quantum circuit  $QF_i$  that performs the same operation as in Lemma 2, up to an error  $\varepsilon$  bounded by  $\varepsilon \leq e^{-\frac{1}{12}M_{i+1}}$ . In the QRAQM model, the time complexity, relative to a cipher evaluation, is bounded by:  $2M_i \frac{\pi}{2} \sqrt{\sigma_{i+1}}(t_{i+1} + t)$ , and the memory complexity by  $M_i$ .*

*Proof.* Since we are building the table  $\mathcal{T}_{i+1}$  from  $\mathcal{T}_i$  and a new key guess  $k_{i+1}$ , we know that there is a maximum of  $2\mathbb{E}(N_{i+1})$  pairs to look for in all cases. We run in parallel  $4\mathbb{E}(N_{i+1}) = 2M_{i+1}$  quantum searches with  $\frac{\pi}{4} \frac{1}{\sqrt{\sigma_{i+1}}}$  search iterates each. The search space is the current table of all pairs. The condition of success is the test function  $T_i$ . By our assumption, such an individual search succeeds with probability at least  $3/4$  for all values of  $k$ .

We move all the obtained (possibly) good pairs into the next table. At this point, errors occur if the individual searches fail to obtain all the  $N_i$  independent pairs. We perform the following test on the search results: we test if at least  $2\mathbb{E}(N_{i+1})$  contain good pairs. If this is the case, then we can expect to have met all the  $N_{i+1}$  pairs independently (up to some random collisions). We can write the result of this test in a qubit, but we do not measure it: we only use it to bound away the cases of failure.

Let us consider a fixed key  $k$ . We already know that  $N_{i+1} \leq 2\mathbb{E}(N_{i+1})$ . The total number of successful searches among  $4\mathbb{E}(N_{i+1})$  is the sum  $X$  of  $4\mathbb{E}(N_{i+1})$  independent random variables  $X_j$ . By our assumption, each  $X_j$  has expectation at least  $3/4$  and by a Chernoff bound:

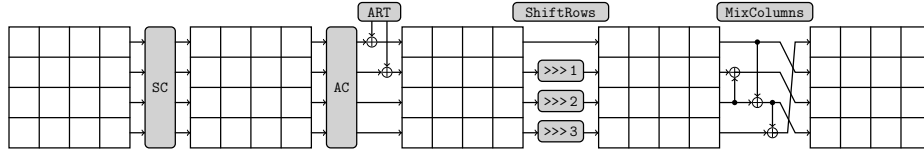
$$\Pr_{\mathcal{T}_i}(X \leq 2\mathbb{E}(N_{i+1})) \leq \Pr_{\mathcal{T}_0}\left(X \leq \frac{2}{3}\mathbb{E}(X)\right) \leq e^{-(1/3)^2 \frac{\mathbb{E}(X)}{2}} \leq e^{-\frac{\mathbb{E}(N_{i+1})}{6}} = e^{-\frac{1}{12}M_{i+1}}.$$

□

By using this erroneous  $QF_i$  in a quantum search with  $t$  iterates, we will obtain a total error amplitude of about  $t\sqrt{\varepsilon}$  (i.e.  $t^2\varepsilon$  failure probability). This is the result of a standard hybrid argument [4]. Therefore, if  $M_{i+1}$  is sufficiently small (typically  $2^{16}$ ), it remains negligible.

## 5 Application to SKINNY

In this section, we describe an impossible differential attack on SKINNY-128-256 and its quantization.



**Fig. 3.** Skinny round function (from [3])

## 5.1 Description

SKINNY-128-256 [3] is a SPN tweakable block cipher inspired by the AES. It relies on the *tweakey* framework, so the 128-bit tweak and the 128-bit key are glued together in a 256-bit tweakey. The goal of our attack is to recover this 256-bit string. The 128-bit internal state is represented by a  $4 \times 4$  matrix of  $s$ -bit cells ( $s = 8$ ).

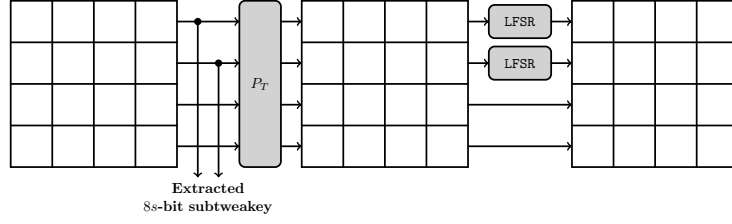
*Round function.* The round function of SKINNY is represented in [Figure 3](#). The operations are:

- *SubCells (SC)*: an 8-bit S-Box is applied to each cell of the matrix. Its description is given in [3].
- *AddConstants (AC)*: A constant depending on the round number is XORed to the internal state. This operation is irrelevant for differential attacks.
- *AddRoundTweakey (ART)*: The tweakey material, derived from the tweakey, is XORed to the two first lines of the internal state. A tweakey schedule is used to compute the tweakey material.
- *ShiftRows (SR)*: This operation leaves the first line intact, rotates the second line by 1 cell, the third line by 2 cells and the fourth line by 3 cells.
- *MixColumns (MC)*: This operation multiplies each column by a (non-MDS) matrix  $M$

*Tweakey schedule.* The tweakey schedule ([Figure 4](#)) takes a crucial part in the attack. The internal state is composed of *two*  $4 \times 4$  matrices of bytes. The tweakey schedule follows this pattern:

1. The two first lines of both matrices are extracted. Then the lines with the same position are XORed to build the tweakey material used in the round function.
2. A cell permutation  $P_T$  is applied to both matrices. We can remark that the permutation globally swaps the two first lines and the two last lines.

$$\begin{pmatrix} 0 & 1 & 2 & 3 \\ 4 & 5 & 6 & 7 \\ 8 & 9 & 10 & 11 \\ 12 & 13 & 14 & 15 \end{pmatrix} \xrightarrow{P_T} \begin{pmatrix} 9 & 15 & 8 & 13 \\ 10 & 14 & 12 & 11 \\ 0 & 1 & 2 & 3 \\ 4 & 5 & 6 & 7 \end{pmatrix}$$



**Fig. 4.** Tweakey schedule (from [3]).

3. An LFSR is applied to the cells of the first two columns of the second matrix. It is important to remark that the LFSR used here (described in [3]) is linear and that there exists non zero elements of order 15, i.e.,  $\exists x \text{ LFSR}^{15}(x) = x$ .

## 5.2 Classical Impossible Attack

In this section, we give an impossible differential attack on SKINNY that achieves 21 rounds based on work from [34]. Since the goal is to recover the full 256-bit tweakey, the generic bound is  $2^{256}$ .

*Impossible Pattern.* We give the pattern in [Figure 5](#).

*Pair Generation.* Here we give some parameters of the attack described in [34]. With our notation we get  $\Delta_{\text{in}} = 32$ ,  $\Delta_{\text{out}} = 72$ ,  $c_{\text{in}} = 24$ ,  $c_{\text{out}} = 72$ ,  $N = 2^{103.17}$ , where  $N$  ensures that only one subkey will remain in the end.

*Pair Filtering.* In this section we will describe the tweakey recovery.

1. Round 21
  - (a) From the knowledge of the ciphertext, compute  $\Delta X_{21}[8]$  and  $\Delta X_{21}[12]$ . Based on the properties of MC operation on col(1) of  $W_{20}$ , we have  $\Delta X_{21}[8] = \Delta X_{21}[12]$ . This results in an  $s$ -bit filter.
  - (b) For this step we guess the value of  $TK_{21}[0]$ . From the knowledge of  $Z_{21}[12]$  and  $\Delta Z_{21}[12]$ , we can compute  $\Delta X_{21}[12]$ . Based on the properties of MC operation on col(1) of  $W_{20}$ , we have  $\Delta X_{21}[0] = \Delta X_{21}[12]$ . Since  $Y_{21}[0] = Z_{21}[0] \oplus TK_{21}[0]$ , we perform a single-cell ( $s$ -bit) filter on the pairs by verifying the following equations.

$$S^{-1}(Y_{21}[0]) \oplus S^{-1}(Y_{21}[0] \oplus \Delta Y_{21}[0]) = \Delta X_{21}[0] .$$

- (c) For this step we guess the value of  $TK_{21}[5]$ . From the knowledge of  $Z_{21}[13]$  and  $\Delta Z_{21}[13]$ , we can compute  $\Delta X_{21}[13]$ . Based on the properties of MC operation on col(2) of  $W_{20}$ , we have  $\Delta X_{21}[5] = \Delta X_{21}[13]$ . Since  $Y_{21}[5] = Z_{21}[5] \oplus TK_{21}[5]$ , we perform a single-cell ( $s$ -bit) filter on the pairs by verifying the following equations.

$$S^{-1}(Y_{21}[5]) \oplus S^{-1}(Y_{21}[5] \oplus \Delta Y_{21}[5]) = \Delta X_{21}[5] .$$

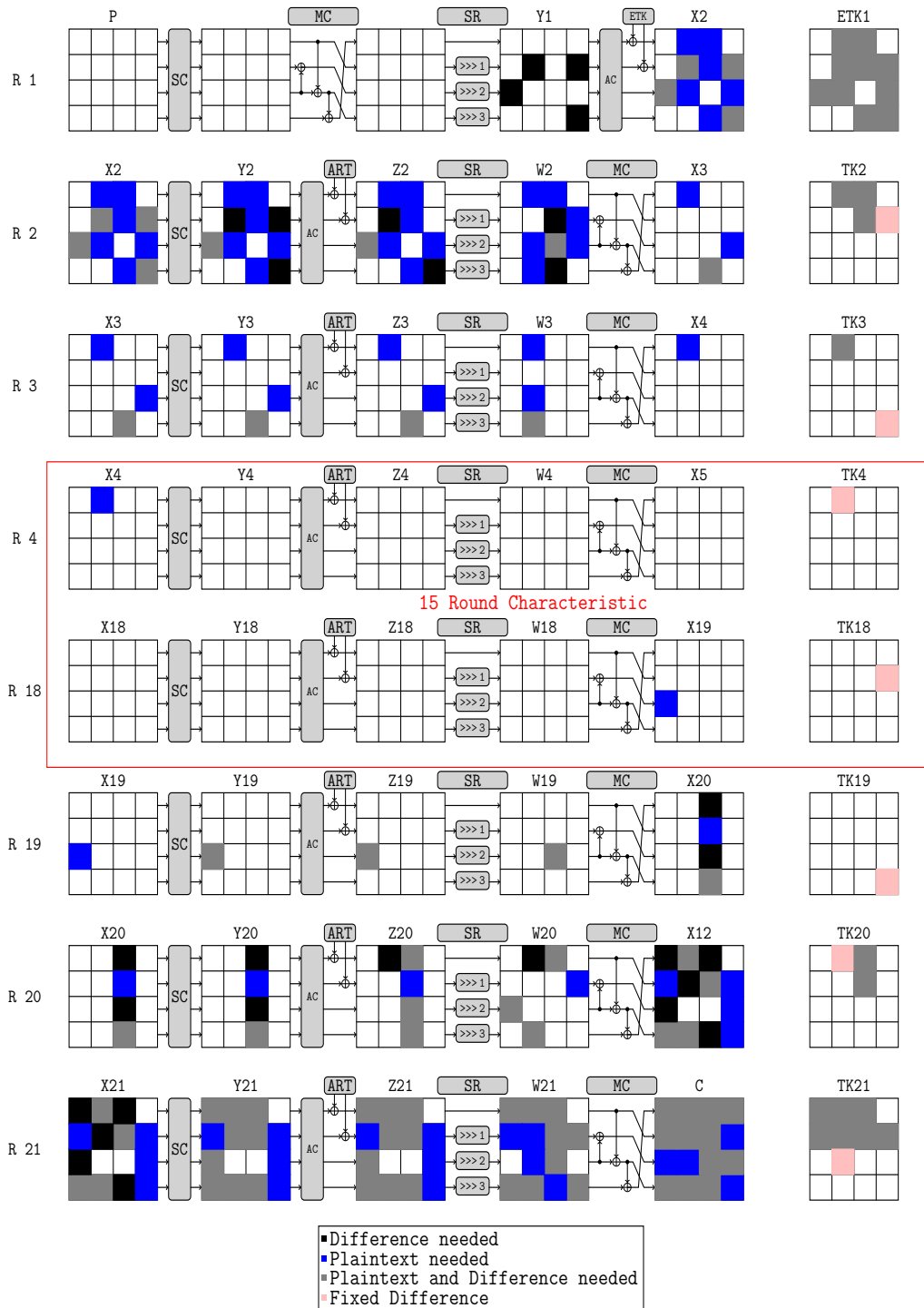


Fig. 5. Impossible pattern (from [34]).



- (d) For this step we guess the value of  $TK_{21}[1]$ . Therefore with the knowledge of the ciphertext, we can compute  $\Delta Z_{20}$  and check  $\Delta Z_{20}[1] = \Delta TK_{20}[1]$ . This leads to an  $s$ -bit filter.

$$S^{-1}(Y_{21}[1]) \oplus S^{-1}(Y_{21}[1] \oplus \Delta Y_{21}[1]) = \Delta X_{21}[1] .$$

- (e) For this step we guess the value of  $TK_{21}[2]$ . Based on the properties of MC operation on  $\text{col}(3)$  of  $W_{20}$ , we have  $\Delta X_{21}[2] = \Delta X_{21}[14]$ . Since  $Y_{21}[2] = Z_{21}[2] \oplus TK_{21}[2]$  we perform an  $s$ -bit filter on the pairs by verifying the following equation.

$$S^{-1}(Y_{21}[2]) \oplus S^{-1}(Y_{21}[2] \oplus \Delta Y_{21}[2]) = \Delta X_{21}[2] .$$

- (f) For this step we guess the value of  $TK_{21}[6]$ . Based on the properties of MC operation on  $\text{col}(3)$  of  $W_{20}$ , we have  $\Delta X_{21}[6] = \Delta X_{21}[14]$ . Since  $Y_{21}[6] = Z_{21}[6] \oplus TK_{21}[6]$ , we perform an  $s$ -bit filter on the pairs by verifying the following equation.

$$S^{-1}(Y_{21}[6]) \oplus S^{-1}(Y_{21}[6] \oplus \Delta Y_{21}[6]) = \Delta X_{21}[6] ,$$

To continue the key recovery, we will perform two additional key guesses  $TK_{21}[4, 7]$  so that the value of  $X_{21}[4, 7]$  is known.

2. Round 20. For this step we guess the value of  $TK_{20}[2]$ . From the knowledge of  $Z_{20}[14]$  and  $\Delta Z_{20}[14]$ , we can compute  $\Delta X_{20}[14]$  and  $\Delta X_{20}[10]$ . Based on the properties of MC operation on  $\text{col}(3)$  of  $W_{19}$ , we have  $\Delta X_{20}[14] = \Delta X_{20}[2] = \Delta X_{20}[10]$ . Since  $Y_{20}[2] = Z_{20}[2] \oplus TK_{20}[2]$ , we perform a two-cell ( $2s$ -bit) filter on the pairs by verifying the following equations:

$$\begin{aligned} S^{-1}(Y_{20}[2]) \oplus S^{-1}(Y_{20}[2] \oplus \Delta Y_{20}[2]) &= \Delta X_{20}[14]. \\ \Delta X_{20}[14] &= \Delta X_{20}[10] \end{aligned}$$

3. Round 19. For this step we guess the value of  $TK_{20}[6]$ . Hence we can compute the value of  $\Delta X_{19}[8]$  and check if it matches our impossible pattern.
4. Round 1.
- (a) Guess  $ETK[7]$ . Hence by using the knowledge of the plaintext, we can compute  $\Delta Y_2[7]$  and check  $\Delta Y_2[7] = \Delta TK_2[7]$ .
- (b) For this step we guess the value of  $ETK[8]$ . From the knowledge of the plaintext, we can compute  $\Delta Y_2[8]$  and  $\Delta Y_2[15]$ . Based on the properties of MC operation on  $\text{col}(3)$  of  $W_2$ , we have  $\Delta Y_2[8] = \Delta Y_2[15]$ . We thus perform a single-cell ( $s$ -bit) filter on the pairs.
- (c) For this step we guess the value of  $ETK[1]$ . From the knowledge of the plaintext, we can compute  $\Delta Y_2[5]$  and  $\Delta Y_2[8]$ . Based on the properties of MC operation on  $\text{col}(3)$  of  $W_2$ , we have  $\Delta Y_2[5] = \Delta Y_2[8]$ . We thus perform a single-cell ( $s$ -bit) filter on the pairs.
- (d) To continue the key recovery, we will perform two additional key guesses  $ETK[2, 9, 11]$  so that the value of  $Y_2[2, 9, 11]$  is known.

**Table 2.** Successive steps of the attack on SKINNY. Each step reduces the table size but increases the key space. The parameter  $s$  corresponds to a byte (8 bits).

Index	$\sigma_i$	$ K_i $	Quantum	Classical
			partial complexity: $\prod_{j=1}^{i-1} \sigma_j \sqrt{\prod_{j=1}^i  K_j }$	partial complexity: $\prod_{j=1}^{i-1} \sigma_j \prod_{j=1}^i  K_j $
1.a	$2^{-s}$	$2^0$	$2^0$	$2^0$
1.b	$2^{-s}$	$2^s$	$2^{-s/2}$	$2^0$
1.c	$2^{-s}$	$2^s$	$2^{-s}$	$2^0$
1.d	$2^{-s}$	$2^s$	$2^{-3s/2}$	$2^0$
1.e	$2^{-s}$	$2^s$	$2^{-2s}$	$2^0$
1.f	$2^{-s}$	$2^s$	$2^{-5s/2}$	$2^0$
		$2^0$	$2^{-5s/2}$	$2^s$
2	$2^{-2s}$	$2^s$	$2^{-2s}$	$2^{2s}$
3	$2^{-s}$	$2^s$	$2^{-7s/2}$	$2^s$
4.a	$2^{-s}$	$2^s$	$2^{-4s}$	$2^s$
4.b	$2^{-s}$	$2^s$	$2^{-9s/2}$	$2^s$
4.c	$2^{-s}$	$2^s$	$2^{-5s}$	$2^s$
4.d	$2^0$	$2^{3s}$	$2^{-9s/2}$	$2^{3s}$
5	$2^{-s}$	$2^{3s}$	$2^{-3s}$	$2^{6s}$

- Round 2 and 3. At this step we have performed enough guesses on the tweak material to know the value of  $TK_3[1]$ . We guess  $TK_2[1, 2, 6]$  and compute  $Y_3$  and  $\Delta Y_3$ . Therefore, from the knowledge of  $TK_3[1]$ ,  $\Delta Y_4[1]$  can be simply determined. Checking if  $\Delta Y_4[1] = TK_4[2]$ , will lead to an  $s$ -bit filter.

In [Table 2](#) we give the cost of each step. In the end, the time complexity for the classical pair filtering is  $2^{151.17}$ .

### 5.3 Quantum impossible attack

Since 2 plaintext-ciphertext pairs are required to discriminate the right tweak, the exhaustive search with Grover's algorithm has a complexity of  $2^{129.65}$  encryptions. Our quantum attack will be valid if we manage to outperform this. From [Section 3.3](#) we compute the complexity of the quantum pair generation as  $Q_N = 2^{119.17}$  encryptions (in the classical setting  $C_N = 2^{128}$  encryptions).

*Filtering.* Following the idea of [Section 4](#), we build the quantum key recovery based on the classical key recovery described in [Section 5.2](#). We use the formula

**Table 3.** Time and memory complexities of the different steps for 21-round SKINNY-128-256 (in encryptions), whether classical or quantum.

Complexity	Time	Mem.
Classical Pair Generation	$2^{128}$	negl.
Quantum Pair Generation	$2^{119.17}$	$2^{24}$ (QRAQM)
Classical Pair Filtering	$2^{151.17}$	$2^{103.17}$
Quantum Pair Filtering (QRAQM)	$2^{104.32}$	$2^{95.17}$ (QRAQM) + $2^{103.17}$ (classical)
Quantum Pair Filtering (no QRAQM)	$2^{117.46}$	$2^{106.31}$ (qubits) + $2^{103.17}$ (classical)
Quantum Generic	$2^{129.65}$	negl.
Classical Generic	$2^{256}$	negl.

of [Corollary 2](#) to compute the quantum complexity of this step as:

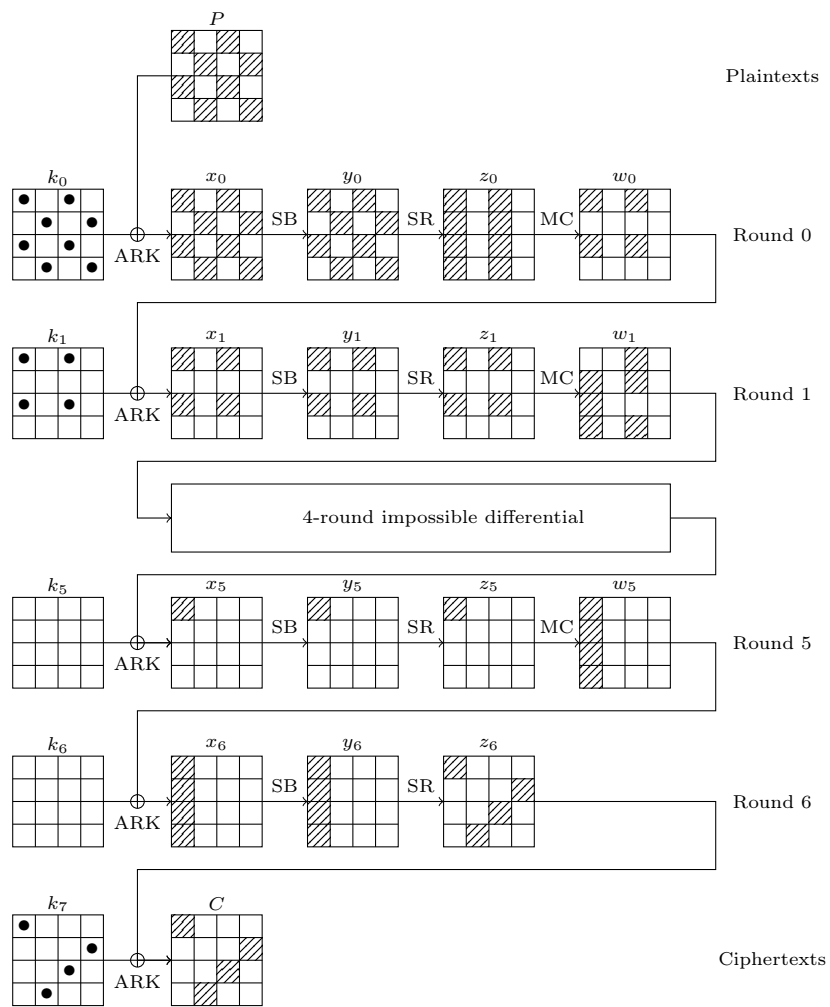
$$2N \sum_{j=1}^{\ell} (t_j + t) \left( \prod_{m=1}^{j-1} \sigma_m \right) \left( \frac{\pi}{2} \right)^j \sqrt{\prod_{m=1}^j |K_m|} .$$

This formula features a  $(t + t_i)$  term that carries the complexity of  $4n$  bit operations and the complexity of performing the test  $T_i$ . We assume that  $(t + t_i)$  is smaller than the complexity of an encryption, so by our formula with the values in [Table 2](#), we get a quantum time of about  $2^{104.32}$  encryptions, with QRAQM. Using the formula of [Corollary 3](#), we can instead have a quantum time of  $2^{117.46}$  encryptions, without QRAQM. The (quantum) memory complexity in the first case corresponds to the table of  $2^{95.17}$  pairs remaining after the first condition 1.a has been enforced, which is independent of the key guesses. In the second case, we multiply the memory by a factor  $2^{11.14}$  due to the sorting network.

Putting together the complexities of pair generation and pair filtering, we give the total complexity for 21 rounds of SKINNY-128-256 in [Table 3](#). We can propose two quantum attacks: 1) using QRAQM, we use a quantum pair generation and filtering algorithms to reach a complexity of about  $2^{119.17}$  encryptions (Q2 setting). 2) Without QRAQM, we use the classical pair generation in classical time  $2^{128}$ , which we combine with a quantum pair filtering step in quantum time  $2^{117.46}$ . The attack is now a Q1 attack, since only the pair generation requires queries. The attack is faster than a Grover search of the full 256-bit secret key, which would be slightly above  $2^{128}$  quantum operations (and the difference is more significant if classical operations are cheaper than quantum ones).

## 6 Application to 7-round AES

In this section, we use our framework to improve the key-recovery attacks against 7-round AES-192 and AES-256 in the quantum setting (the best previous attacks were Square attacks in [\[10\]](#)). The path of the attack that we consider is the one from [\[32\]](#) ([Figure 6](#)).



**Fig. 6.** Path of the attack on 7-round AES of [32]. Key guesses are indicated by ●.

Like SKINNY, the block cipher standard AES [17] is an SPN represented as a  $4 \times 4$  matrix of 8-bit cells. There exists three versions (AES-128, -192, -256) which change the number of rounds and the key schedule algorithm, but our attack will be independent of the key schedule and we will not consider any relation between subkey bytes.

A round of AES applies the following operations, as represented in [Figure 6](#): **AddRoundKey** (ARK) XORs the current round key to the state; **SubBytes** (SB) applies the AES S-Box to the cells in parallel, **ShiftRows** (SR) rotates row  $i$  by  $i$  cells left, **MixColumns** (MC) multiplies the columns by an MDS matrix. We number the rounds starting from 0 and the successive states within round  $i$  as  $x_i, y_i, z_i, w_i$ , respectively after ARK, SB, SR and MC.

*Attack.* Let  $(P, P'), (C, C')$  be a pair satisfying the limited birthday conditions on [Figure 6](#). It will invalidate any guess of these 16 bytes of key such that:

1.  $w_0[1] = w'_0[1]$  and  $w_0[3] = w'_0[3]$ : this is a 2-byte condition on  $k_0[0, 5, 10, 15]$ ,  $p_0[0, 5, 10, 15]$  and  $p'_0[0, 5, 10, 15]$ . For a given pair, there exists on average  $2^{16}$  matching guesses of  $k_0[0, 5, 10, 15]$ .
2.  $w_0[9] = w'_0[9]$  and  $w_0[11] = w'_0[11]$ : this is an independent 2-byte condition on  $k_0[2, 7, 8, 13]$ ,  $p_0[2, 7, 8, 13]$  and  $p'_0[2, 7, 8, 13]$ . For a given pair, there are on average  $2^{16}$  matching guesses of  $k_0[2, 7, 8, 13]$ .
3.  $MC^{-1}(w_5[0, 1, 2, 3])$  is a single byte: this is an independent condition on  $k_7[0, 7, 10, 14]$  and the corresponding ciphertext bytes. For a given pair, there are on average  $2^8$  guesses of  $k_7$  that satisfy this condition.
- 4.a  $w_1[0] = w'_1[0]$ : this is a single-byte condition on  $k_1[0, 10]$ , and all the previous plaintext bytes. For a given pair, there are on average  $2^8$  matching guesses of  $k_1[0, 10]$ .
- 4.b  $w_1[10] = w'_1[10]$ : this is another single-byte condition with independent key bytes  $k_1[2, 8]$ , but the same plaintext bytes as before.

Thus each pair removes  $2^{56}$  key guesses from a space  $2^{128}$ . In order to have a single remaining key guess, we take  $N = 2^{78.5}$ . These pairs can be obtained in about  $2^{99.8}$  Q2 queries. There are 4 subkey spaces:  $K_1 = k_0[0, 5, 10, 15]$ ,  $K_2 = k_0[2, 7, 8, 13]$ ,  $K_3 = k_7[0, 7, 10, 14]$  and  $K_4 = k_1[0, 10, 2, 8]$ , each of size  $2^{32}$ . The filtering probabilities are  $\sigma_1 = 2^{-16}$ ,  $\sigma_2 = 2^{-16}$ ,  $\sigma_3 = 2^{-24}$ . Similarly to [Table 2](#), we summarize the successive steps in [Table 4](#).

Using the simple early-abort strategy, we obtain a classical time complexity:

$$2^{32} \left( \underbrace{2^{78.5}}_{\text{Build } \tau_1} + 2^{32} \left( \underbrace{2^{62.5}}_{\text{Build } \tau_2} + 2^{32} \left( \underbrace{2^{46.5}}_{\text{Build } \tau_3} + 2^{32} \left( \underbrace{2^{22.5}}_{\text{Sieve } \tau_3} \right) \right) \right) \right) = 2^{150.5} .$$

And using [Corollary 2](#), we obtain a quantum time complexity:

$$2N \left( \left( \frac{\pi}{2} \right) \sqrt{|K_1|} + \left( \frac{\pi}{2} \right)^2 \sigma_1 \sqrt{|K_1||K_2|} + \left( \frac{\pi}{2} \right)^3 \sigma_1 \sigma_2 \sqrt{|K_1||K_2||K_3|} + \left( \frac{\pi}{2} \right)^4 \sigma_1 \sigma_2 \sigma_3 \sqrt{|K_1||K_2||K_3||K_4|} \right) \max_i (t + t_i) , \quad (16)$$

**Table 4.** Successive steps of the attack on AES (if we used the standard pair filtering). The parameter  $s$  corresponds to a byte (8 bits).

Index	$\sigma_i$	$ K_i $	Quantum	Classical
			partial complexity: $\prod_{j=1}^{i-1} \sigma_j \sqrt{\prod_{j=1}^i  K_j }$	partial complexity: $\prod_{j=1}^{i-1} \sigma_j \prod_{j=1}^i  K_j $
1.	$2^0$	$2^{4s}$	$2^{2s}$	$2^{4s}$
2.	$2^{-2s}$	$2^{4s}$	$2^{2s}$	$2^{6s}$
3.	$2^{-2s}$	$2^{4s}$	$2^{2s}$	$2^{8s}$
4.	$2^{-3s}$	$2^{4s}$	$2^s$	$2^{9s}$

where  $t + t_i$  is the time to evaluate the test functions relatively to an encryption. In the case of AES, to facilitate comparison with [10], we count the number of S-Boxes, the S-Box being the most costly component in quantum circuits for the AES. We remark that computing each test function requires 8 S-Boxes, so we approximate the factor  $t + t_i$  by 8. This gives:

$$2^{79.5} \cdot 8 \cdot \left( \left(\frac{\pi}{2}\right)^2 2^{16} + \left(\frac{\pi}{2}\right)^3 2^{16} + \left(\frac{\pi}{2}\right)^4 2^8 \right) \leq 2^{79.5} \cdot 2^3 \cdot 2^{19} \leq 2^{101.5} .$$

We use  $2^{78.5}$  qubits with QRAQM access to store the pairs.

The previous best quantum attacks on 7-round AES-192 and AES-256 are the quantum Square attacks of [10], with respectively  $2^{102.73}$  and  $2^{106.73}$  reversible S-Boxes. So far our attack is comparable.

*Quantum Pair Filtering.* Following the discussion in Section 4.4, we can use quantum searches to speed up the construction of successive tables. The table  $\mathcal{T}_1$ , which is of expected size  $2^{62.5}$ , is constructed in time  $4 \left(\frac{\pi}{2}\right) \sqrt{\sigma_1} |\mathcal{T}_1|$  instead of  $|\mathcal{T}_1|$ . We do likewise for  $\mathcal{T}_3$ . Finally, when sieving  $\mathcal{T}_3$  with respect to a guess of  $k_1[0, 10, 2, 8]$ , we can use a quantum search instead of going through the table. This modifies the time complexity of Equation 16 into:

$$\begin{aligned} & \left( \left(\frac{\pi}{2}\right) \sqrt{|K_1|} \left( 4N \left(\frac{\pi}{2}\right) \sqrt{\sigma_1} + \left(\frac{\pi}{2}\right) \sqrt{|K_2|} \left( 4N \sigma_1 \left(\frac{\pi}{2}\right) \sqrt{\sigma_2} + \right. \right. \right. \\ & \left. \left. \left(\frac{\pi}{2}\right) \sqrt{|K_3|} \left( 4N \sigma_1 \sigma_2 \left(\frac{\pi}{2}\right) \sqrt{\sigma_3} + \left(\frac{\pi}{2}\right) \sqrt{|K_4|} \left( \left(\frac{\pi}{2}\right) \sqrt{2N \sigma_1 \sigma_2 \sigma_3} \right) \right) \right) \right) \max_i(t+t_i) \\ & = \max_i(t+t_i) \left( \left(\frac{\pi}{2}\right)^5 \sqrt{|K_1| |K_2| |K_3| |K_4|} \sqrt{2N \sigma_1 \sigma_2 \sigma_3} + \right. \\ & \left. 4N \left( \left(\frac{\pi}{2}\right)^2 \sqrt{|K_1| \sigma_1} + \left(\frac{\pi}{2}\right)^3 \sqrt{|K_1| |K_2|} \sigma_1 \sqrt{\sigma_2} + \left(\frac{\pi}{2}\right)^4 \sqrt{|K_1| |K_2| |K_3|} \sigma_1 \sigma_2 \sqrt{\sigma_3} \right) \right) \end{aligned}$$

We can now replace with our numerical values, obtaining:

$$8 \cdot \left( \left( \frac{\pi}{2} \right)^5 2^{128/2} 2^{23.5/2} + 2^{80.5} \left( \left( \frac{\pi}{2} \right)^2 2^8 + \left( \frac{\pi}{2} \right)^3 2^8 + \left( \frac{\pi}{2} \right)^4 2^8 \right) \right) \leq 2^{95.2} , \quad (17)$$

where the dominant term is the computation of the table  $\mathcal{T}_3$ . The memory complexity stays the same as before.

## 7 Conclusion

In this paper we provided a quantized version of impossible differential attacks. Our framework, which includes a generic complexity analysis, could be a good tool for analyzing the post-quantum security margin of symmetric primitives, as we have shown with SKINNY-128-256. Regarding AES, we have only been able to provide limited improvements of the 7-round attacks of [10]. Currently, our best attack is limited by the generation of pairs. While the filtering step benefits significantly from quantum search, potentially up to a complete quadratic speedup on its complexity, the first step seems a relatively more difficult problem in the quantum setting, as the limited birthday problem reaches a less than quadratic speedup. Consequently, as observed in [10] with other attack families, quantum impossible differential attacks need to be optimized differently from the classical ones. One could for example try to reduce the data used as much as possible, and in particular, to make the pair generation step completely classical (thereby falling in the Q1 setting).

*Acknowledgments.* This project has received funding from the European Research Council (ERC) under the European Union’s Horizon 2020 research and innovation programme (grant agreement no. 714294 - acronym QUASYModo). A.S. has been supported by ERC-ADG-ALGSTRONGCRYPTO (project 740972).

## References

1. Ambainis, A.: Quantum walk algorithm for element distinctness. *SIAM J. Comput.* **37**(1), 210–239 (2007). <https://doi.org/10.1137/S0097539705447311>
2. Batcher, K.E.: Sorting networks and their applications. In: *AFIPS Spring Joint Computing Conference*. *AFIPS Conference Proceedings*, vol. 32, pp. 307–314. Thomson Book Company, Washington D.C. (1968)
3. Beierle, C., Jean, J., Kölbl, S., Leander, G., Moradi, A., Peyrin, T., Sasaki, Y., Sasdrich, P., Sim, S.M.: The SKINNY family of block ciphers and its low-latency variant MANTIS. In: *CRYPTO (2)*. *Lecture Notes in Computer Science*, vol. 9815, pp. 123–153. Springer (2016)
4. Bennett, C.H., Bernstein, E., Brassard, G., Vazirani, U.V.: Strengths and weaknesses of quantum computing. *SIAM J. Comput.* **26**(5), 1510–1523 (1997). <https://doi.org/10.1137/S0097539796300933>
5. Biham, E., Biryukov, A., Shamir, A.: Cryptanalysis of skipjack reduced to 31 rounds using impossible differentials. *J. Cryptol.* **18**(4), 291–311 (2005). <https://doi.org/10.1007/s00145-005-0129-3>

6. Bonnetain, X., Chailloux, A., Schrottenloher, A., Shen, Y.: Finding many collisions via reusable quantum walks. In: EUROCRYPT 2023, to appear. Lecture Notes in Computer Science (2023), available at: <https://eprint.iacr.org/2022/676>
7. Bonnetain, X., Hosoyamada, A., Naya-Plasencia, M., Sasaki, Y., Schrottenloher, A.: Quantum attacks without superposition queries: The offline simon’s algorithm. In: ASIACRYPT (1). Lecture Notes in Computer Science, vol. 11921, pp. 552–583. Springer (2019)
8. Bonnetain, X., Jaques, S.: Quantum period finding against symmetric primitives in practice. IACR Trans. Cryptogr. Hardw. Embed. Syst. **2022**(1), 1–27 (2022)
9. Bonnetain, X., Naya-Plasencia, M., Schrottenloher, A.: On quantum slide attacks. In: SAC. Lecture Notes in Computer Science, vol. 11959, pp. 492–519. Springer (2019)
10. Bonnetain, X., Naya-Plasencia, M., Schrottenloher, A.: Quantum security analysis of AES. IACR Trans. Symmetric Cryptol. **2019**(2), 55–93 (2019). <https://doi.org/10.13154/tosc.v2019.i2.55-93>
11. Boura, C., Lallemand, V., Naya-Plasencia, M., Suder, V.: Making the impossible possible. J. Cryptol. **31**(1), 101–133 (2018). <https://doi.org/10.1007/s00145-016-9251-7>
12. Boura, C., Naya-Plasencia, M., Suder, V.: Scrutinizing and improving impossible differential attacks: Applications to clefia, camellia, lblock and simon. In: ASIACRYPT (1). Lecture Notes in Computer Science, vol. 8873, pp. 179–199. Springer (2014)
13. Brassard, G., Hoyer, P., Mosca, M., Tapp, A.: Quantum amplitude amplification and estimation. Contemporary Mathematics **305**, 53–74 (2002)
14. Brassard, G., Høyer, P., Tapp, A.: Quantum cryptanalysis of hash and claw-free functions. In: LATIN. Lecture Notes in Computer Science, vol. 1380, pp. 163–169. Springer (1998)
15. Childs, A.M., Eisenberg, J.M.: Quantum algorithms for subset finding. Quantum Inf. Comput. **5**(7), 593–604 (2005)
16. Daemen, J., Knudsen, L.R., Rijmen, V.: The block cipher square. In: FSE. Lecture Notes in Computer Science, vol. 1267, pp. 149–165. Springer (1997)
17. Daemen, J., Rijmen, V.: The Design of Rijndael: AES - The Advanced Encryption Standard. Information Security and Cryptography, Springer (2002). <https://doi.org/10.1007/978-3-662-04722-4>
18. Dawson, C.M., Nielsen, M.A.: The solovay-kitaev algorithm. Quantum Inf. Comput. **6**(1), 81–95 (2006)
19. Demirci, H., Selçuk, A.A.: A meet-in-the-middle attack on 8-round AES. In: FSE. Lecture Notes in Computer Science, vol. 5086, pp. 116–126. Springer (2008)
20. Derbez, P., Fouque, P., Jean, J.: Improved key recovery attacks on reduced-round AES in the single-key setting. In: EUROCRYPT. Lecture Notes in Computer Science, vol. 7881, pp. 371–387. Springer (2013)
21. Ferguson, N., Kelsey, J., Lucks, S., Schneier, B., Stay, M., Wagner, D.A., Whiting, D.: Improved cryptanalysis of rijndael. In: FSE. Lecture Notes in Computer Science, vol. 1978, pp. 213–230. Springer (2000)
22. Gilbert, H., Peyrin, T.: Super-sbox cryptanalysis: Improved attacks for aes-like permutations. In: FSE. Lecture Notes in Computer Science, vol. 6147, pp. 365–383. Springer (2010)
23. Grover, L.K.: A fast quantum mechanical algorithm for database search. In: STOC. pp. 212–219. ACM (1996)



24. Hosoyamada, A., Naya-Plasencia, M., Sasaki, Y.: Improved attacks on sliscp permutation and tight bound of limited birthday distinguishers. *IACR Trans. Symmetric Cryptol.* **2020**(4), 147–172 (2020)
25. Kaplan, M., Leurent, G., Leverrier, A., Naya-Plasencia, M.: Breaking symmetric cryptosystems using quantum period finding. In: *CRYPTO (2)*. Lecture Notes in Computer Science, vol. 9815, pp. 207–237. Springer (2016)
26. Kaplan, M., Leurent, G., Leverrier, A., Naya-Plasencia, M.: Quantum differential and linear cryptanalysis. *IACR Trans. Symmetric Cryptol.* **2016**(1), 71–94 (2016). <https://doi.org/10.13154/tosc.v2016.i1.71-94>
27. Kliuchnikov, V., Maslov, D., Mosca, M.: Fast and efficient exact synthesis of single-qubit unitaries generated by clifford and T gates. *Quantum Inf. Comput.* **13**(7-8), 607–630 (2013)
28. Knudsen, L.: Deal-a 128-bit block cipher. complexity **258**(2), 216 (1998)
29. Kuperberg, G.: Another subexponential-time quantum algorithm for the dihedral hidden subgroup problem. In: *TQC. LIPIcs*, vol. 22, pp. 20–34. Schloss Dagstuhl - Leibniz-Zentrum für Informatik (2013)
30. Liu, Q., Zhandry, M.: On finding quantum multi-collisions. In: *EUROCRYPT (3)*. Lecture Notes in Computer Science, vol. 11478, pp. 189–218. Springer (2019)
31. Lu, J., Kim, J., Keller, N., Dunkelman, O.: Improving the efficiency of impossible differential cryptanalysis of reduced camellia and MISTY1. In: *CT-RSA*. Lecture Notes in Computer Science, vol. 4964, pp. 370–386. Springer (2008)
32. Mala, H., Dakhilalian, M., Rijmen, V., Modarres-Hashemi, M.: Improved impossible differential cryptanalysis of 7-round AES-128. In: *INDOCRYPT*. Lecture Notes in Computer Science, vol. 6498, pp. 282–291. Springer (2010)
33. Nielsen, M.A., Chuang, I.: *Quantum computation and quantum information* (2002)
34. Sadeghi, S., Mohammadi, T., Bagheri, N.: Cryptanalysis of reduced round SKINNY block cipher. *IACR Trans. Symmetric Cryptol.* **2018**(3), 124–162 (2018). <https://doi.org/10.13154/tosc.v2018.i3.124-162>
35. Schrottenloher, A., Stevens, M.: A quantum analysis of nested search problems with applications in cryptanalysis. *IACR Cryptol. ePrint Arch.* p. 761 (2022)
36. Xie, H., Yang, L.: Quantum impossible differential and truncated differential cryptanalysis. *CoRR* [abs/1712.06997](https://arxiv.org/abs/1712.06997) (2017)
37. Xie, H., Yang, L.: Using bernstein-vazirani algorithm to attack block ciphers. *Des. Codes Cryptogr.* **87**(5), 1161–1182 (2019). <https://doi.org/10.1007/s10623-018-0510-5>