

## Status of the apeNEXT project\*

apeNEXT Collaboration: R. Ammendola<sup>a</sup>, F. Bodin<sup>b</sup>, Ph. Boucaud<sup>c</sup>, N. Cabibbo<sup>d</sup>, F. Di Carlo<sup>d</sup>, R. De Pietri<sup>e</sup>, F. Di Renzo<sup>e</sup>, W. Errico<sup>f</sup>, A. Fucci<sup>g</sup>, M. Guagnelli<sup>a</sup>, H. Kaldass<sup>h</sup>, A. Lonardo<sup>d</sup>, S. de Luca<sup>d</sup>, J. Micheli<sup>c</sup>, V. Morenas<sup>i</sup>, O. Pene<sup>c</sup>, R. Petronzio<sup>a</sup>, F. Palombi<sup>a</sup>, D. Pleiter<sup>j</sup>, N. Paschedag<sup>h</sup>, F. Rapuano<sup>d</sup>, P. De Riso<sup>a</sup>, D. Rossetti<sup>d</sup>, A. Salamon<sup>a</sup>, G. Salina<sup>a</sup>, L. Sartori<sup>f</sup>, F. Schifano<sup>f</sup>, H. Simma<sup>h</sup>, R. Tripiccione<sup>k</sup>, P. Vicini<sup>d</sup>

<sup>a</sup>Physics Department, University of Roma “Tor Vergata” and INFN, Sezione di Roma II, Italy

<sup>b</sup>IRISA/INRIA, Campus Université de Beaulieu, Rennes, France

<sup>c</sup>LPT, University of Paris Sud, Orsay, France

<sup>d</sup>INFN, Sezione di Roma, Italy

<sup>e</sup>Physics Department, University of Parma and INFN, Gruppo Collegato di Parma, Italy

<sup>f</sup>INFN, Sezione di Pisa, Italy

<sup>g</sup>CERN, Geneva, Switzerland

<sup>h</sup>DESY Zeuthen, Germany

<sup>i</sup>LPC, Université Blaise Pascal and IN2P3, Clermont, France

<sup>j</sup>NIC/DESY Zeuthen, Germany

<sup>k</sup>Physics Department, University of Ferrara, Italy

We present the current status of the apeNEXT project. Aim of this project is the development of the next generation of APE machines which will provide multi-teraflop computing power. Like previous machines, apeNEXT is based on a custom designed processor, which is specifically optimized for simulating QCD. We discuss the machine design, report on benchmarks, and give an overview on the status of the software development.

### 1. INTRODUCTION

The apeNEXT project was initiated [1] with the goal to build supercomputers with a peak performance of more than 5 TFlops and a sustained efficiency of  $O(50\%)$  for key lattice gauge theory kernels. Aiming for both large scale simulations with dynamical fermions and quenched calculations on very large lattices the architecture should allow for large on-line data storage and input/output channels to sustain  $O(0.5)$  MByte per second per GFlops. Finally, the programming environment should allow smooth migration from older APE systems, i.e. support the TAO language, and provide the C language with comparable performance.

Although there are a number of similarities between the architecture of apeNEXT and former generations of APE supercomputers, there were a number of design challenges to be solved in order to meet the machine specifications outlined above. For apeNEXT all processor functionalities, including the network devices, were to be integrated into one single custom chip running at a clock frequency of 200 MHz. Unlike former machines, the nodes will run asynchronously, which means that apeNEXT follows the single program multiple data (SPMD) programming model.

### 2. PROCESSOR AND GLOBAL DESIGN

The apeNEXT processor is a 64-bit architecture. Its arithmetic unit can at each clock cycle perform the APE normal operation  $a \times b + c$ , where

\*Talk given by D. Pleiter at the Lattice Conference 2002, Cambridge (MA), USA.

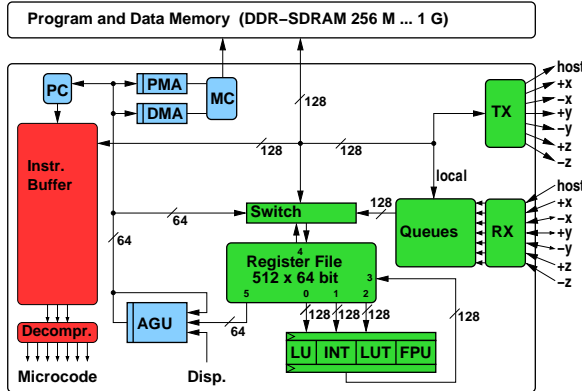


Figure 1. The apeNEXT processor.

$a$ ,  $b$ , and  $c$  are IEEE double precision complex numbers. The peak performance of each node is therefore 1.6 GFlops. Like previous APE computers apeNEXT provides a very large register file of 256 (64+64)-bit registers. Selected details of the processor are shown in Fig. 1.

The memory interface of apeNEXT supports DDR-SDRAM from 256 MByte upto 1 GByte. The memory is used to store both data and program instructions. Conflicts between data and instruction load-operations are therefore likely. These could easily become significant since apeNEXT is a microcoded architecture controlled by 128-bit very long instruction words. Two strategies have been employed to avoid these conflicts. First, the hardware supports compression of the microcode. The compression rate usually depends on the level of optimization, typically it is in the range of 40-70%. Second, an instruction buffer allows pre-fetching of (compressed) instructions. Controlled by software a section of the instruction buffer can be used to store performance critical kernels for repeated execution.

Each apeNEXT node contains seven LVDS link interfaces which allow for concurrent send and receive operations. Once a communication request is queued it is executed independently of the rest of the processor, which is a pre-requisite for overlapping network and floating point operations. Each link is able to transmit one byte per clock cycle, i.e. the gross bandwidth is 200 MByte per second per link. Due to protocol overhead the effective network bandwidth is  $\leq 180$  MByte

Table 1

Key machine parameters

clock frequency	200 MHz
peak performance	1.6 GFlops
memory	256-1024 MByte/node
memory bandwidth	3.2 GByte/sec
network bandwidth	0.2 GByte/sec/link
register file	512 registers
instruction buffer	4096 words

per second. The network latency is  $O(0.1 \mu\text{s})$  and therefore at least one order of magnitude smaller than for today's commercial high performance network technologies.

Six of these link interfaces are used for connecting each node to its nearest neighbours within a three-dimensional network. The seventh link of up to one node per board can be used as an I/O channel by connecting it to an external front-end PC equipped with a custom PCI-LVDS interface card. The number of external links and therefore the total I/O bandwidth can be flexibly adapted to the needs of the users. Although all nodes are connected to their nearest neighbours only, the hardware allows routing across up to three orthogonal links to all nodes on a cube, i.e. connecting nodes at distance  $(\Delta_x, \Delta_y, \Delta_z)$  with  $|\Delta_i| \leq 1$ .

Although the network bandwidth is large compared to other network technologies, it is significantly smaller than the local memory bandwidth. It is therefore mandatory to support efficient mechanisms for data pre-fetching. For this purpose a set of pre-fetch queues is provided. Pre-fetch instructions in a user program will initiate the memory controller and, in case of remote data, the network to move the requested data into the queues. At a later stage of program execution this data is loaded from the queues into the register file in the same order as the pre-fetch instructions had been issued. Only if the data is not available at that point the processor will be halted until the data has arrived.

The global design of apeNEXT is shown in Fig. 2. There will be 16 apeNEXT processors on one processing board and 16 boards will be attached to one backplane. Each node is connected to a simple I2C-link used for bootstrapping and controlling the machine.

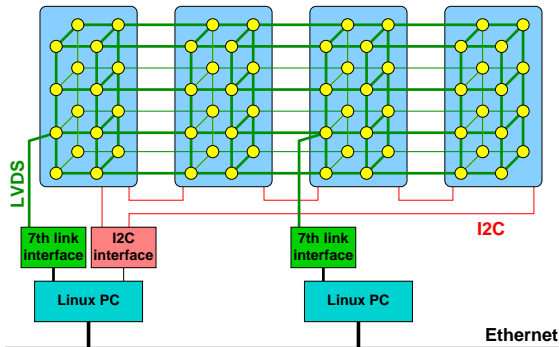


Figure 2. Possible `apeNEXT` configuration with 4 boards, 2 external LVDS-links for I/O, and a chained I2C-link for slow-control.

### 3. SOFTWARE AND BENCHMARKS

We will provide both a TAO and a C compiler for `apeNEXT`. The latter is based on the freely available `lcc` compiler [2] and supports most of the ANSI 89 standard with a few language extensions required for a parallel machine. For machine specific optimizations at the assembly level, e.g. address arithmetics and register move operations, the software package `sofan` is under development. Finally, the microcode generator (`shaker`) optimizes instruction scheduling, which for APE machines is completely done by software.

For all parts of the compiler software stable prototype versions are available and were already used to benchmark the `apeNEXT` design. For this purpose we considered various typical linear algebra operations like the product of two complex vectors. This operation is basically limited by the memory bandwidth, implying a maximum sustained performance of 50%. From VHDL simulations that include all machine details the efficiency was found to be 41%. Even higher performance rates can be achieved for operations requiring more floating point operations per memory access, like multiplying arrays of  $SU(3)$  matrices, which achieves an efficiency of 65%. In QCD simulations most of the time is spent applying the Dirac operator, e.g. the Wilson-Dirac operator  $M = 1 - \kappa H$ . We therefore investigated the operation  $H\psi$  for which a sustained performance of 59% has been measured. This figure is made

possible by extensive use of the pre-fetch features of the processor, and keeping a local copy of the gauge fields to save network bandwidth. Even for the smallest local lattices complete overlap of floating point operations and network communication is possible, so the time when the processor waits for data is close to zero.

### 4. `apeNEXT` PC PROJECT

While pursuing the aim of building a custom designed multi-teraflop computer the APE-collaboration started activities to develop a fast network, which is also based on LVDS, for interconnecting PCs. The final network interface is planned to consist of two bi-directional links with a bandwidth of 400 MByte per second each. Presently, a test setup with two PCs is running stable using prototype interfaces with one link each and a bandwidth of 180 MByte per second. For this setup running a QCD solver code the sustained network bandwidth was found to be 77 MByte per second. A similar setup using the final network interfaces is expected to come into operation in September 2002.

### 5. OUTLOOK AND CONCLUSIONS

The hardware design of the next generation of APE custom built computers has been completed. While prototype boards and backplane are available since the end of 2001, a prototype `apeNEXT` processor is expected to be ready by the end of 2002. A larger prototype installation is planned to be running by middle of 2003. There exists a stable prototype version for all parts of the compiler software. Based on this software we were able to demonstrate that key lattice gauge theory operations will be able to run at a sustained performance of  $O(50\%)$  or more.

### REFERENCES

1. R. Alferi et al. (`apeNEXT`-collaboration), “`apeNEXT`: A Multi-Tflops LQCD Computing Project”, 2001 [arXiv:hep-lat/0102011].
2. C.W. Fraser, D.R. Hanson, D. Hansen, “A Retargetable C Compiler: Design and Implementation”, 1995.