

M E M O R A N D U M

To : E.J.N. Wilson
From : H. Koziol, C.D. Johnson, R. Sherwood
Subject : Budget 1983 - Item 15

This item of the 1983 budget can be broken down as follows :

	<u>kSFR</u>
1) Scraper in section 22 of AA to be equipped for antiproton amplitude scans	25
2) Radiation hard high resolution SEM grid upstream of production target	70
3) Fast wire target for stack emittances*	110
4) Prototype differential Cerenkov for antiproton distributions in the AA injection line	15
5) AA injection kicker timing - hardware for fine tuning	20
6) Le Croy pre-processor with CAMAC interface units for general ME work	60
	<hr/>
TOTAL	<u>300</u>

* A set of designer's sketches is attached.

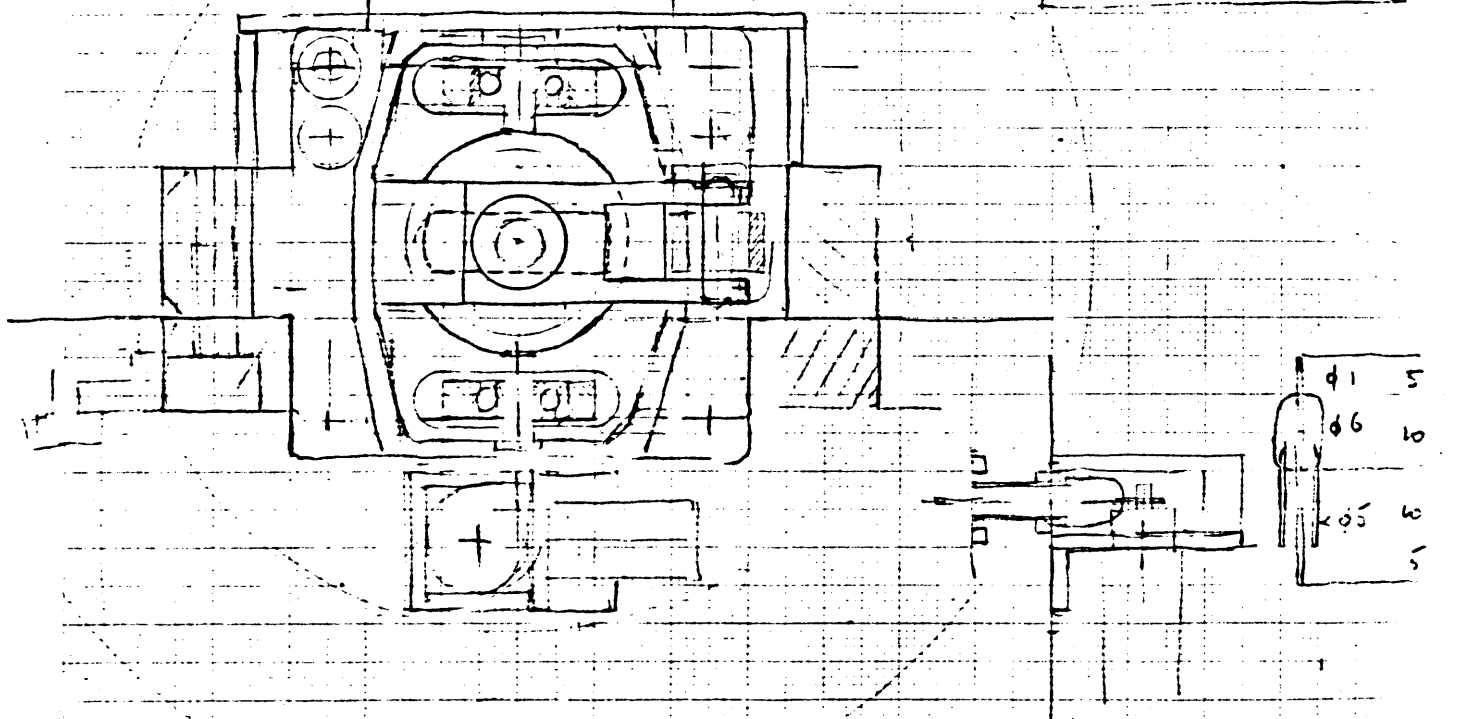
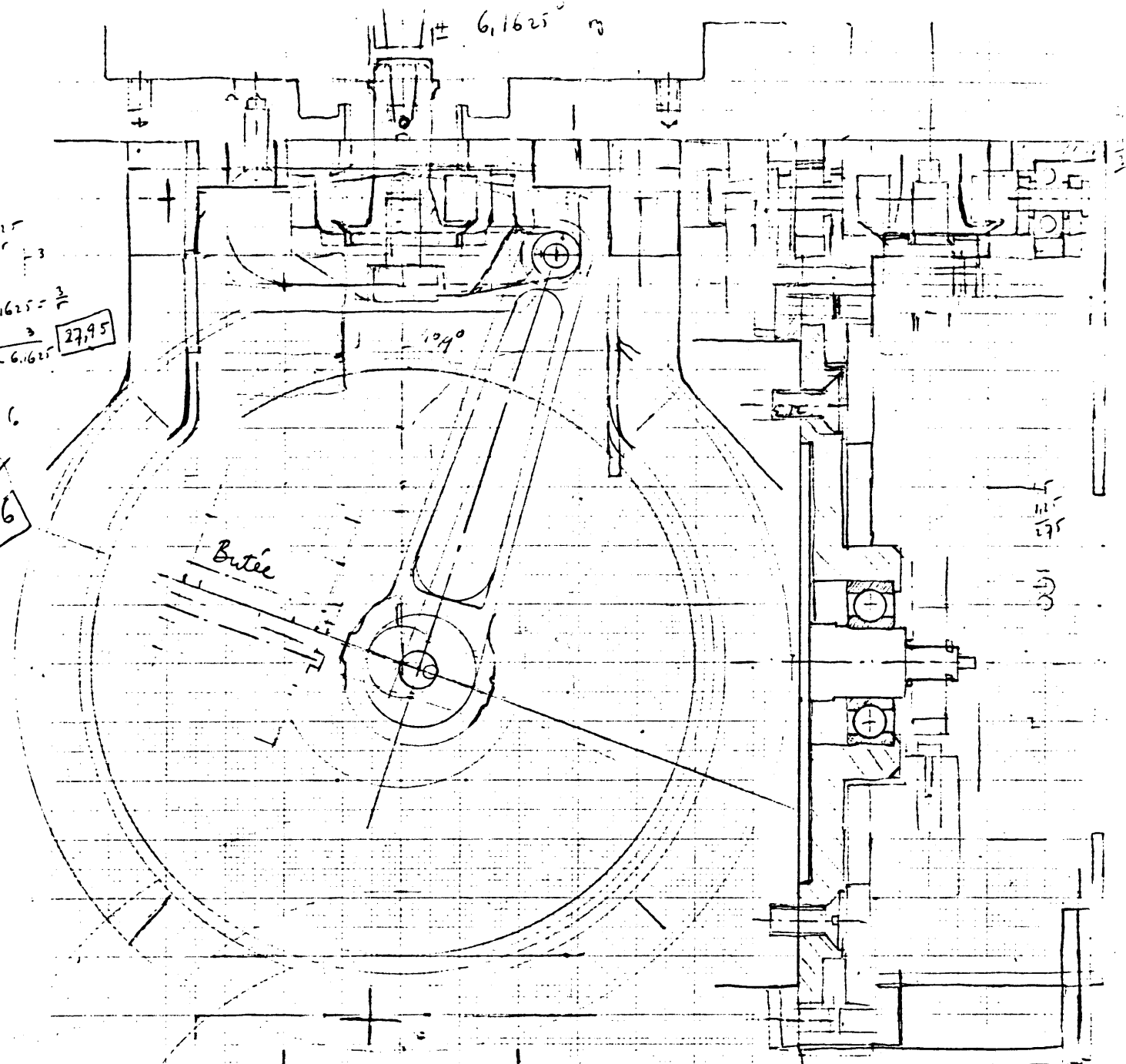
6,1625 m

$$r = \frac{6,1625}{3} = 2,054$$

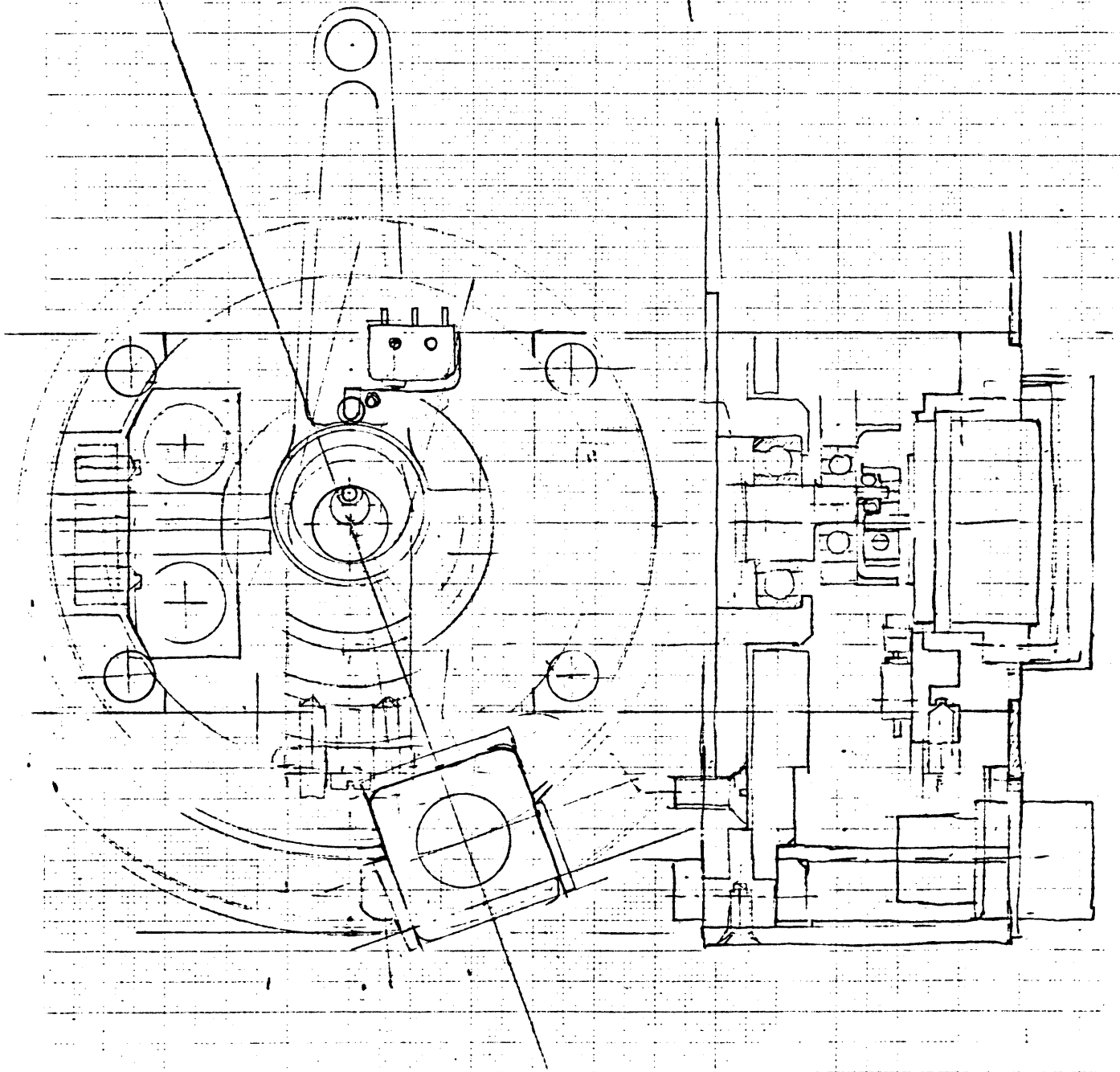
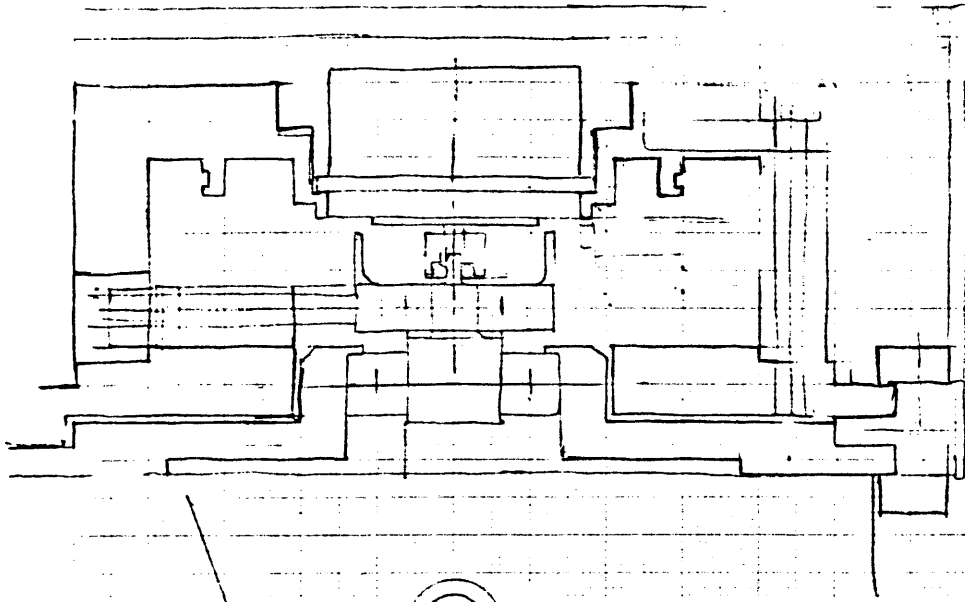
$$r = \frac{6,1625}{3} = 2,054$$

$$r = \frac{6,1625}{3} = 2,054$$

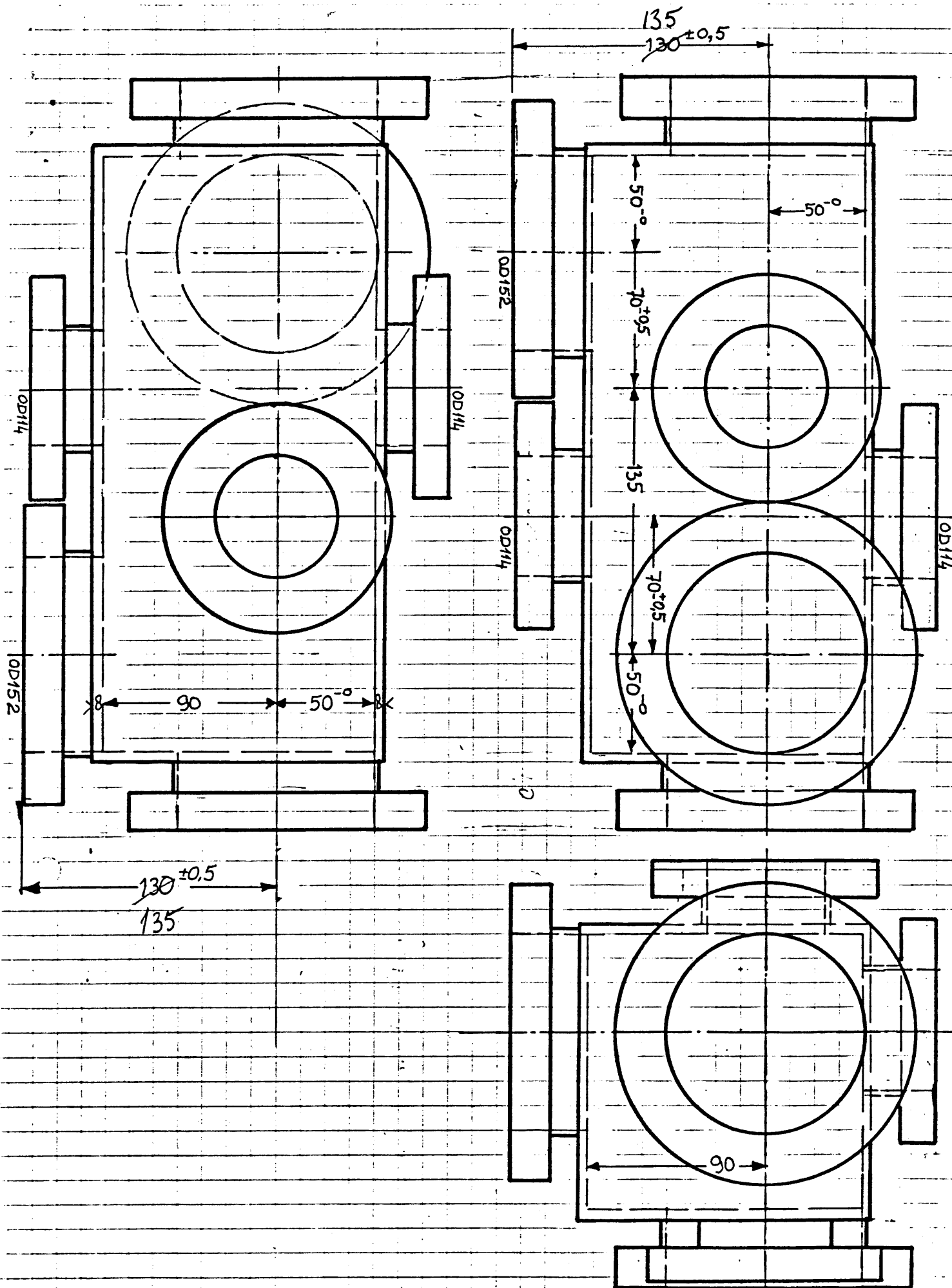
23,36
74,7
274,96



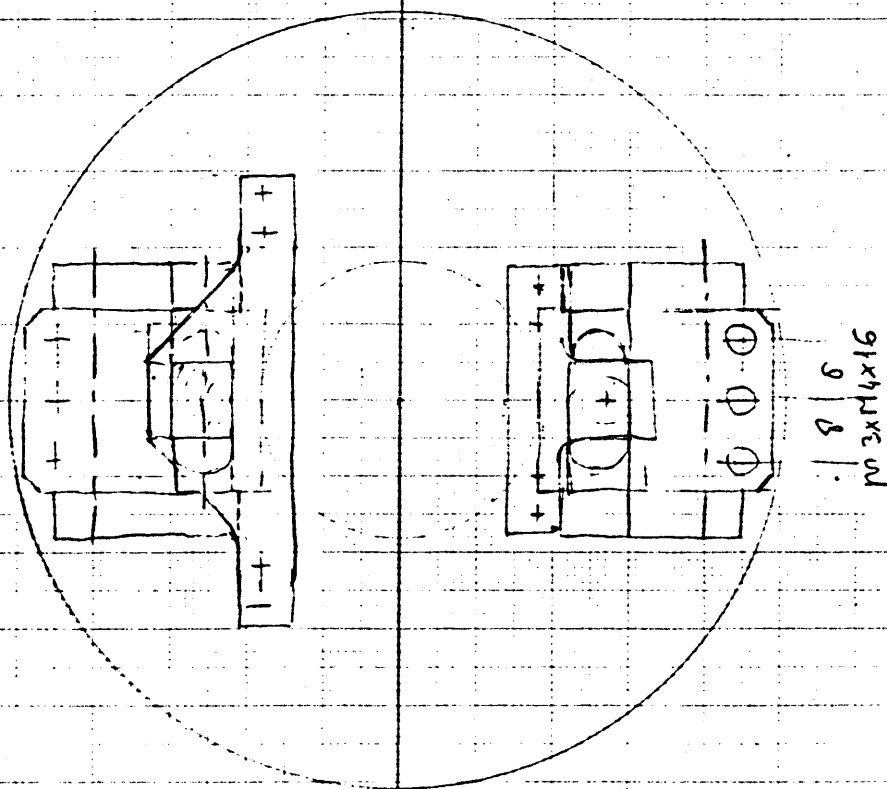
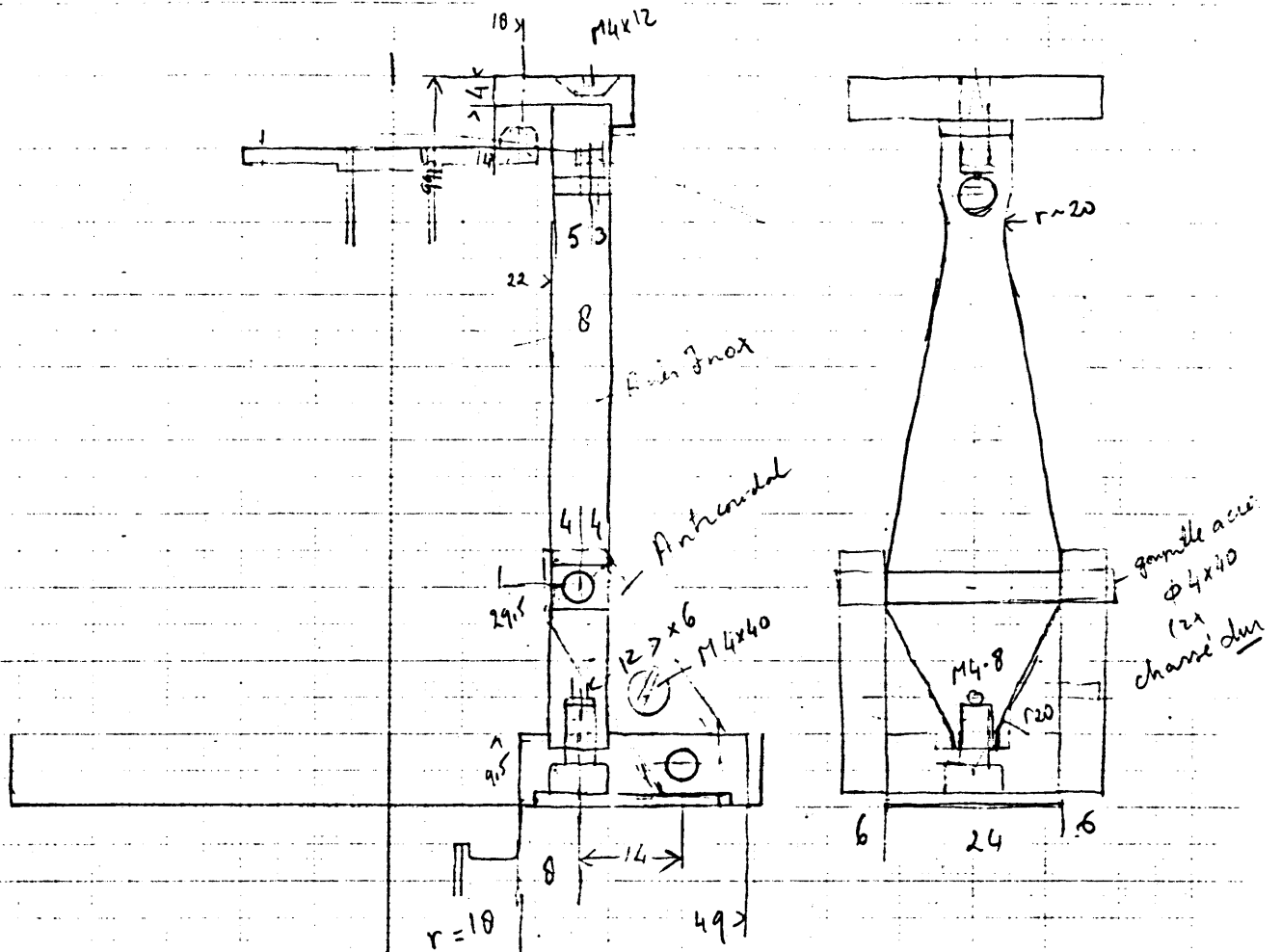
Drive in air



Measuring and end-stops



Vacuum tank



Colonne bi-metallique