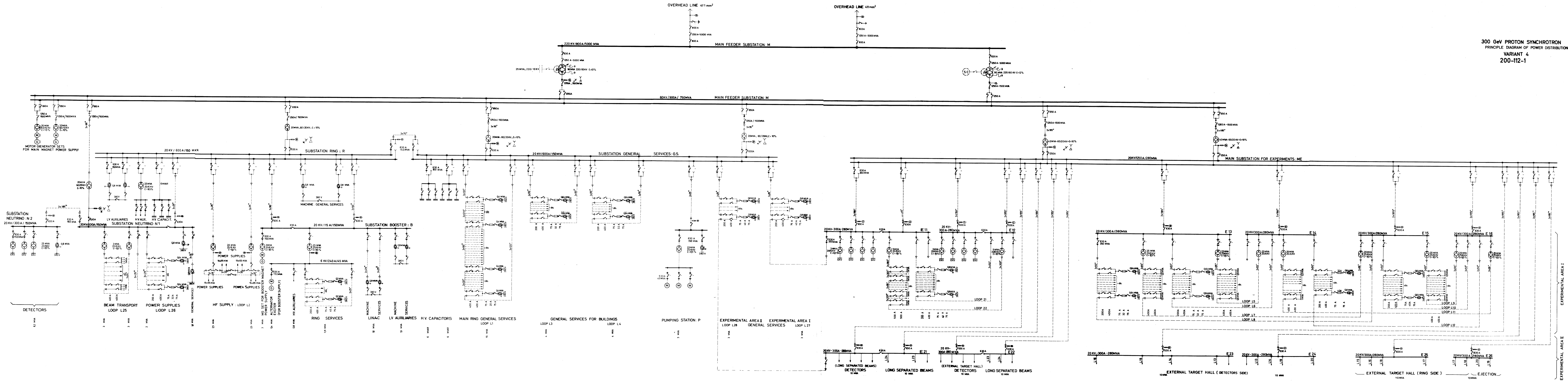
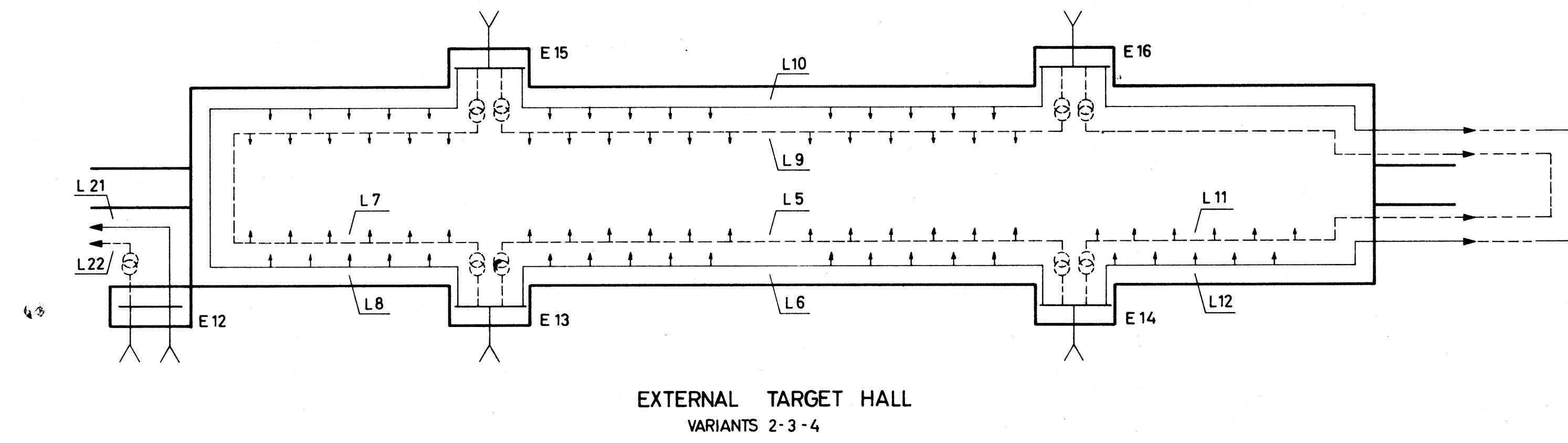
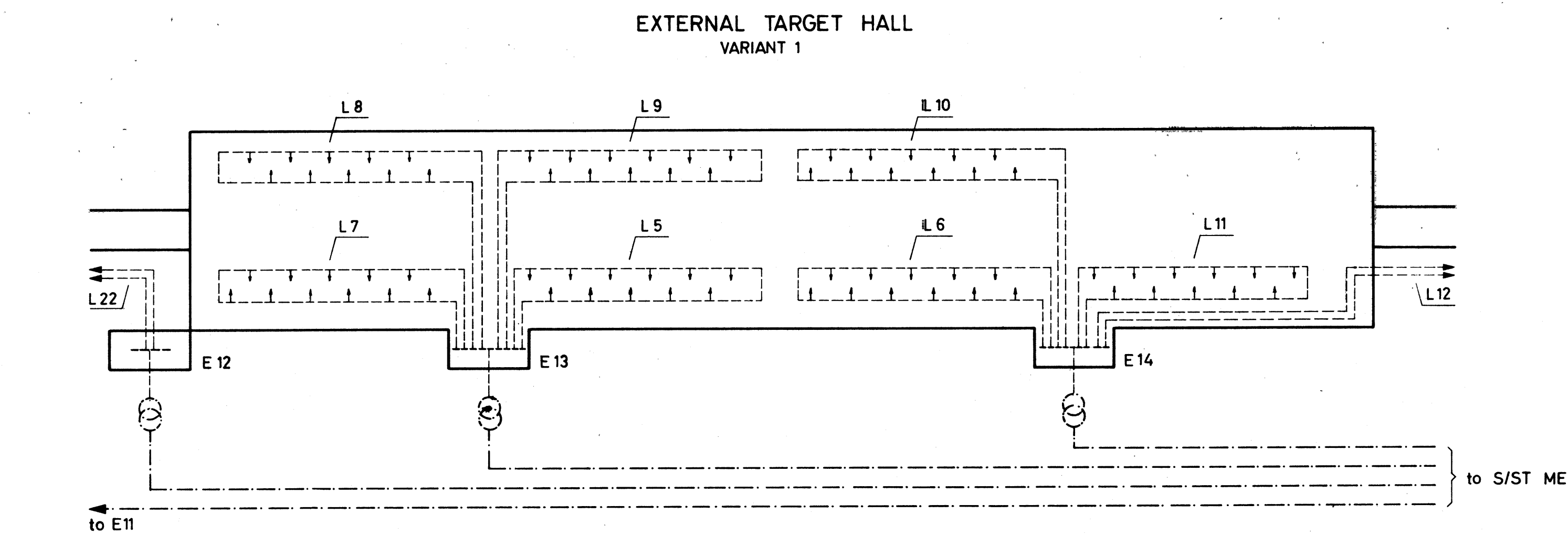
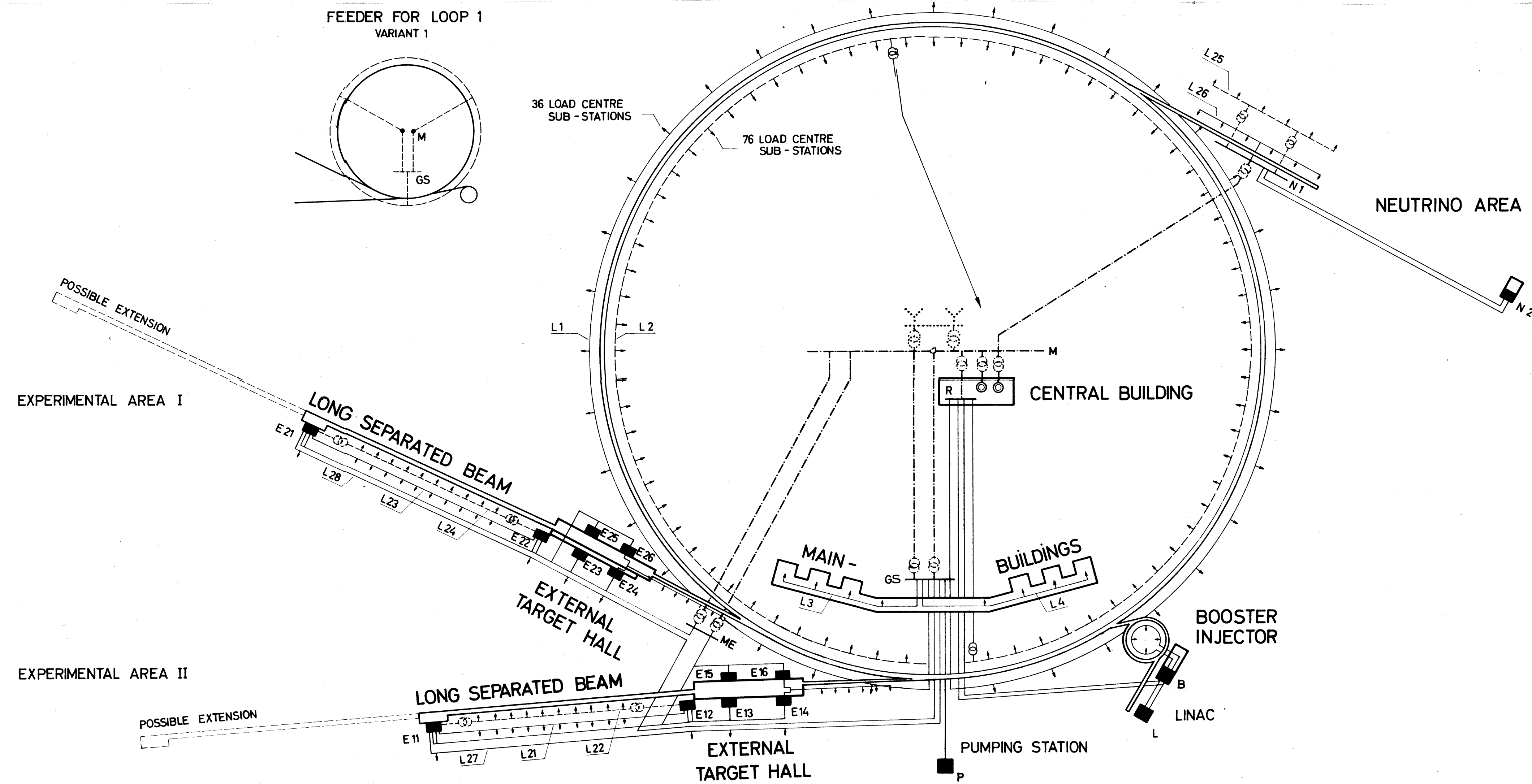


EXPERIMENTAL AREA I
EXPERIMENTAL AREA II



EXPERIMENTAL AREA I
 EXPERIMENTAL AREA II



LEGEND

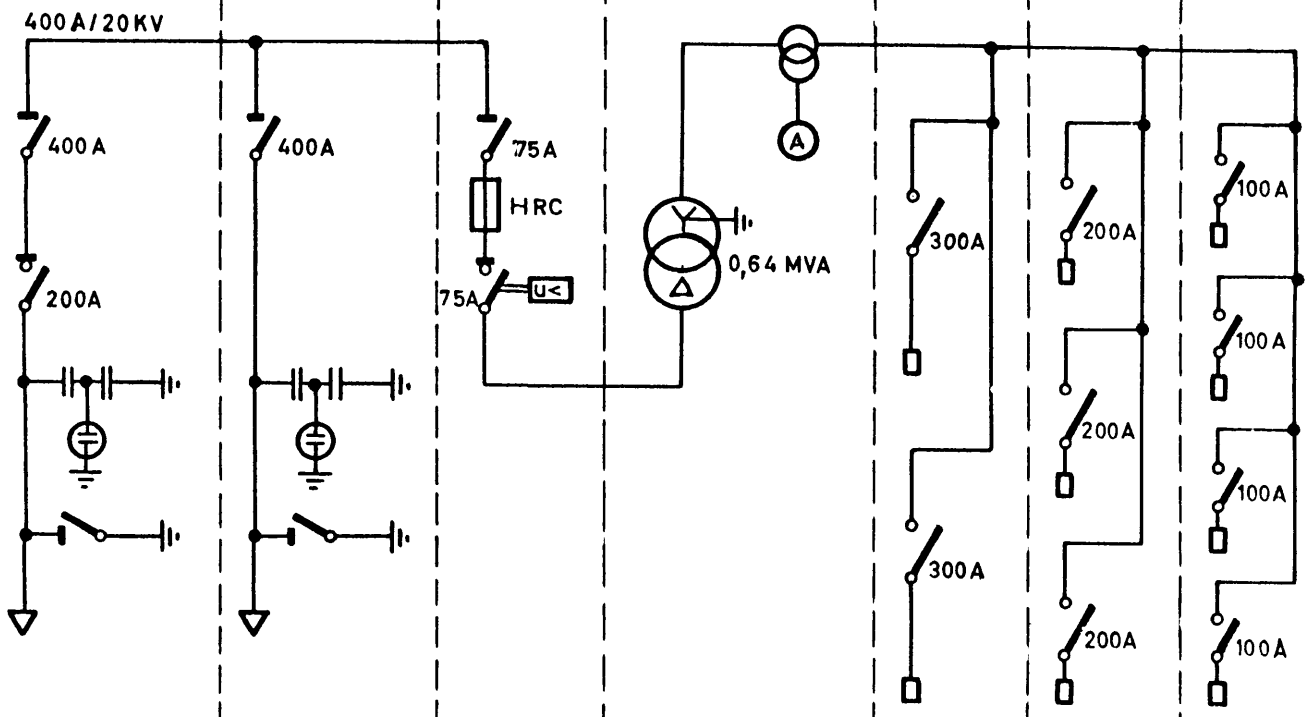
- 220 KV FEEDER
- 60 KV FEEDER
- 20 KV FEEDER
- 6 KV FEEDER
- ⊕ LOAD CENTRE SUB-STATION

0 100 200 300 400 m
SCALE

GL 10.7.63

LAYOUT
OF THE
ELECTRICAL DISTRIBUTION
OF A
300 GeV PROTON - SYNCHROTRON
DRAWING SHOWING VARIANT 4

CERN - ENG 200-108-0

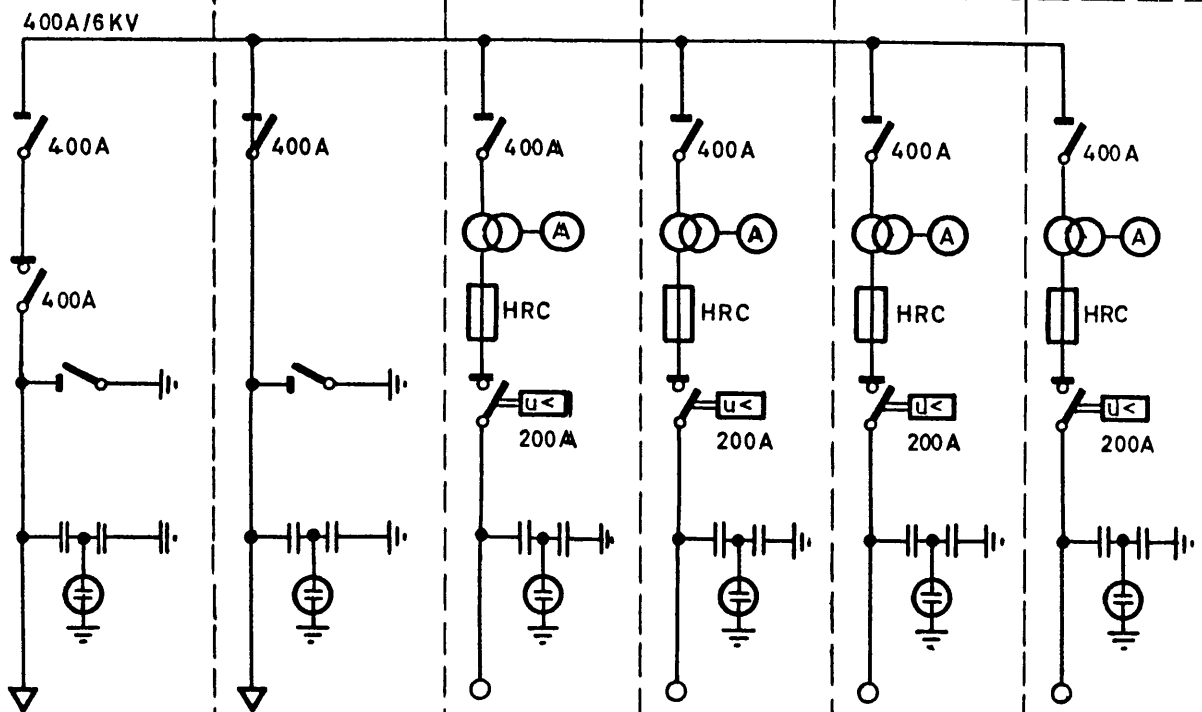


LOAD CENTRE SUBSTATION

Type: Primary voltage 20 KV

Secondary voltage 0,38 KV

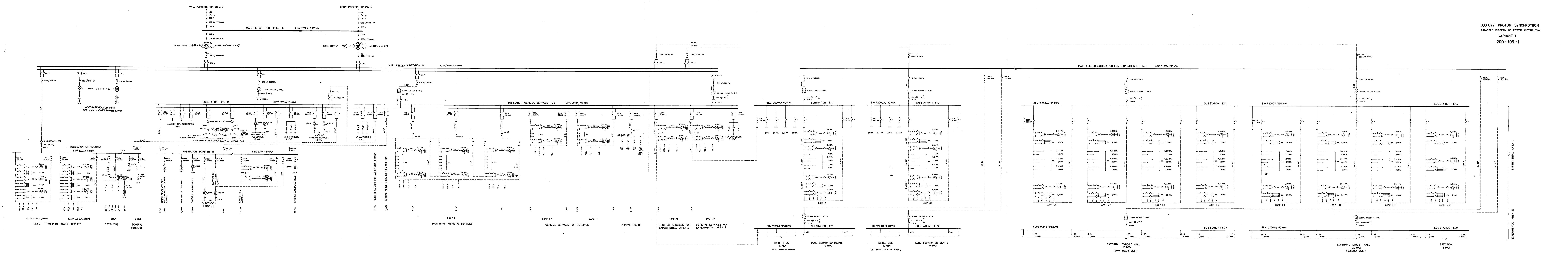
Power 0,64 MVA



LOAD CENTRE SUBSTATION

Type: Service voltage 6 KV

Nominal power 4 MVA



EXPERIMENTAL AREA I
 EXPERIMENTAL AREA II

