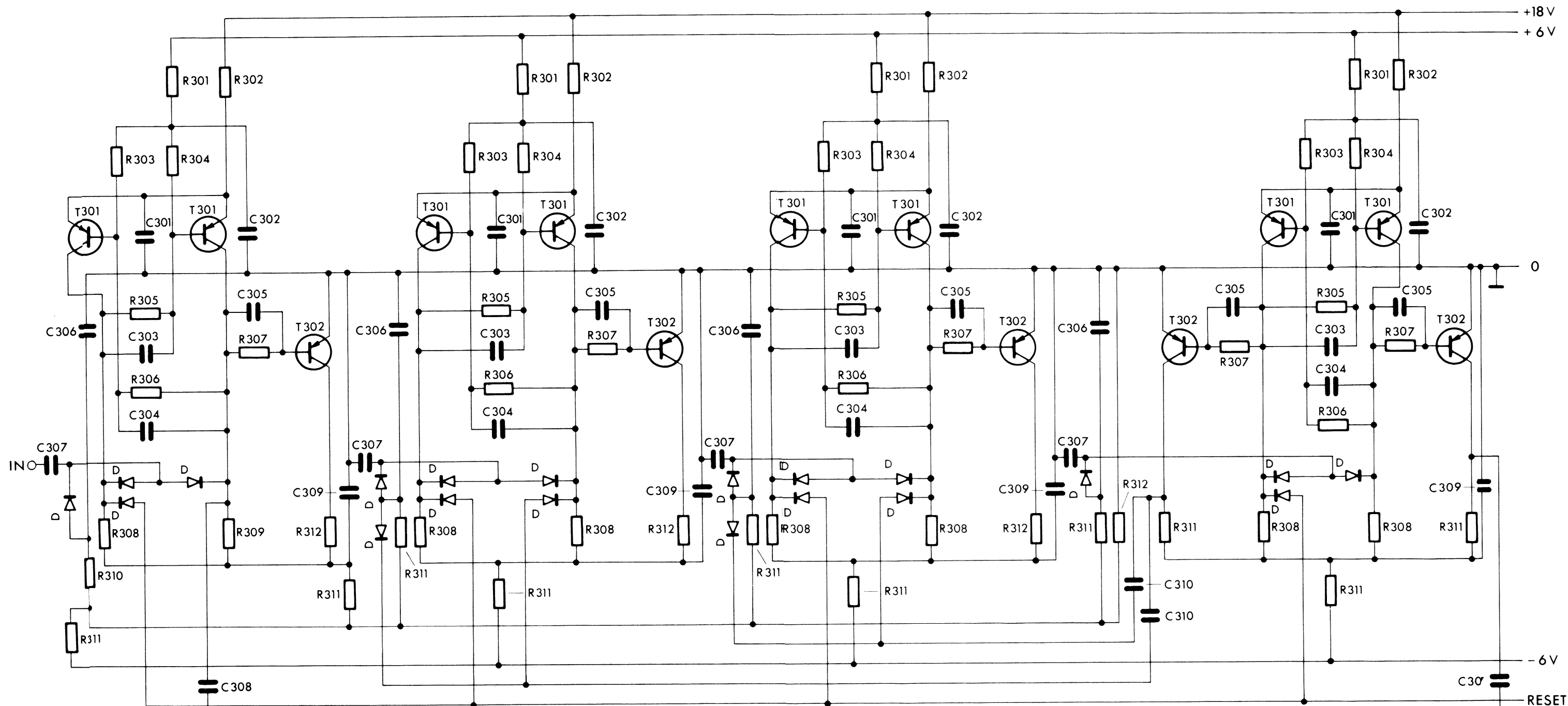


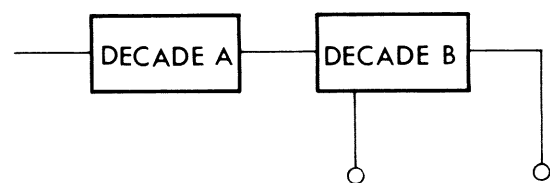
PHILIPS INTEGRATED UNIT
B8 950 01

<p>REVOLUTION FREQUENCY TRIGGER GENERATOR ADVANCE PULSE GENERATOR</p>	<p>CERN-MPS 2663-1-3 13.2.1964 <i>ditomil</i></p>
---	---



RF/20 ○ DECADE A IS EQUAL TO DECADE B WITH THE EXEPTION OF THIS CONNECTION

RF/10 ○



REVOLUTION FREQUENCY
TRIGGER GENERATOR
COUNTER, DECADE B

CERN-MPS
2664-1-3

17.2.1964 *2/10/64*

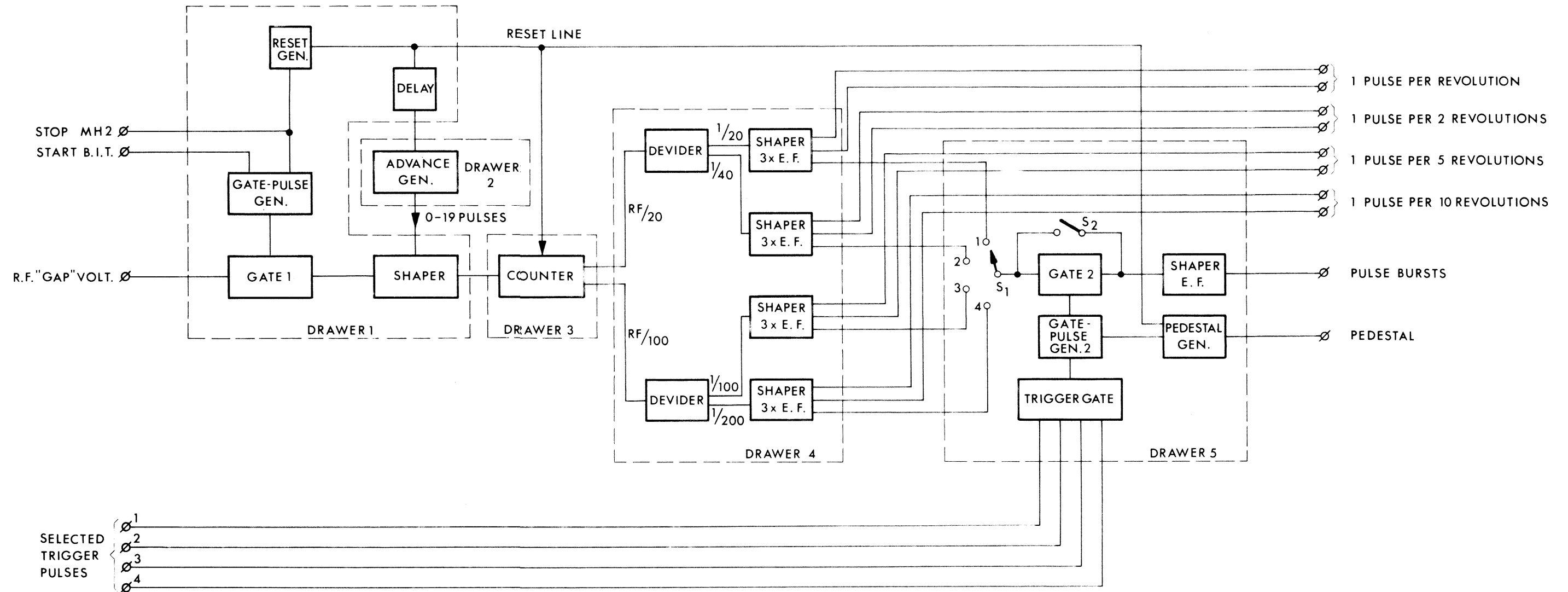


Fig.1

REVOLUTION FREQUENCY
TRIGGER GENERATOR
BLOCK DIAGRAM

CERN-MPS
2180-1-3
5.2.1964 *libovind*

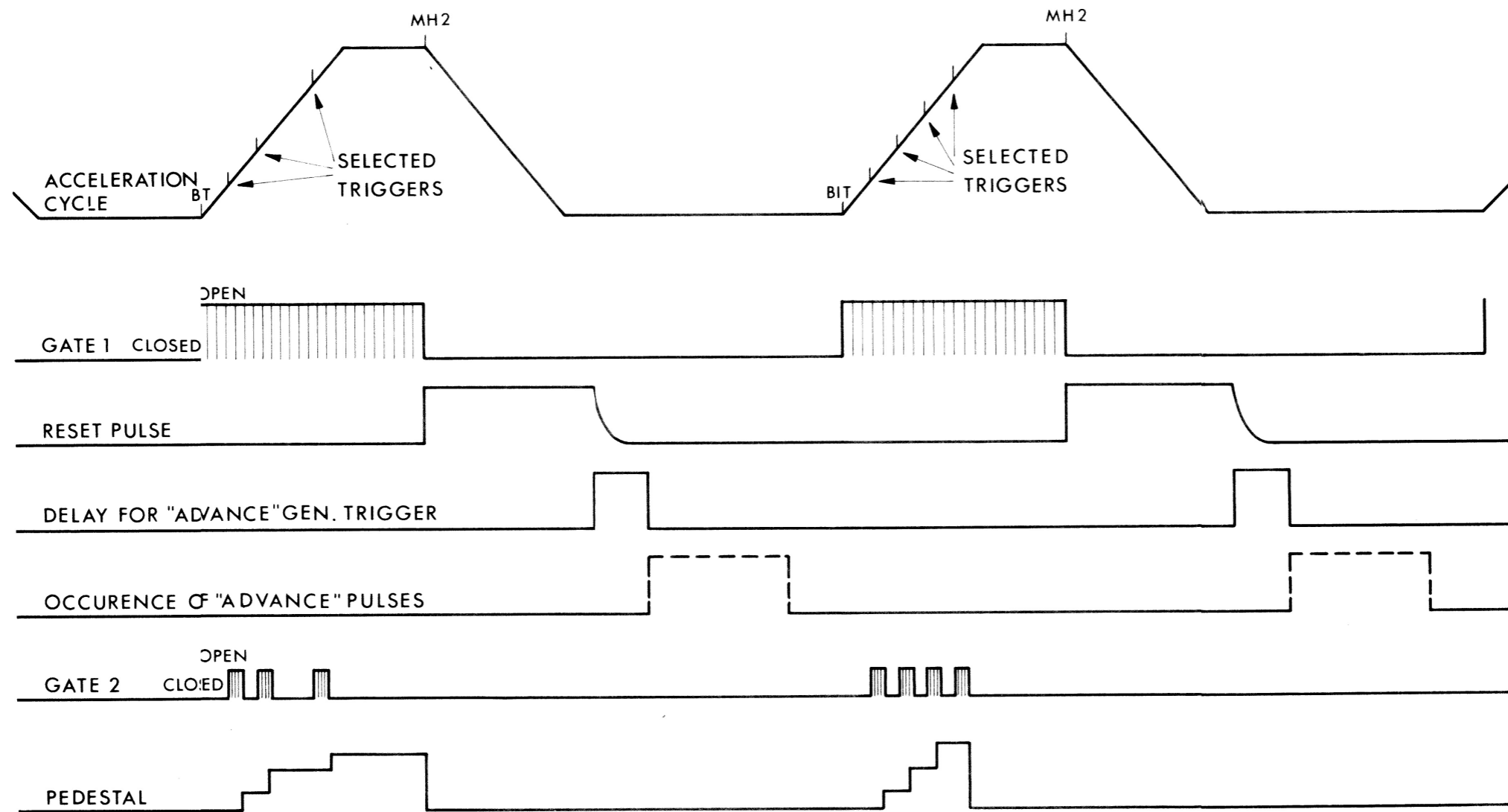
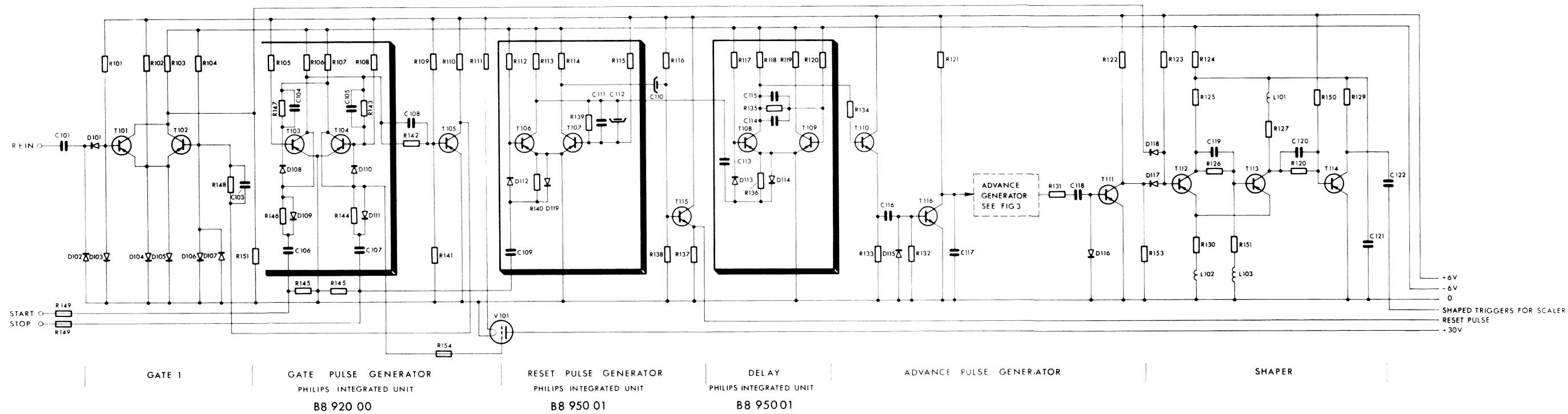
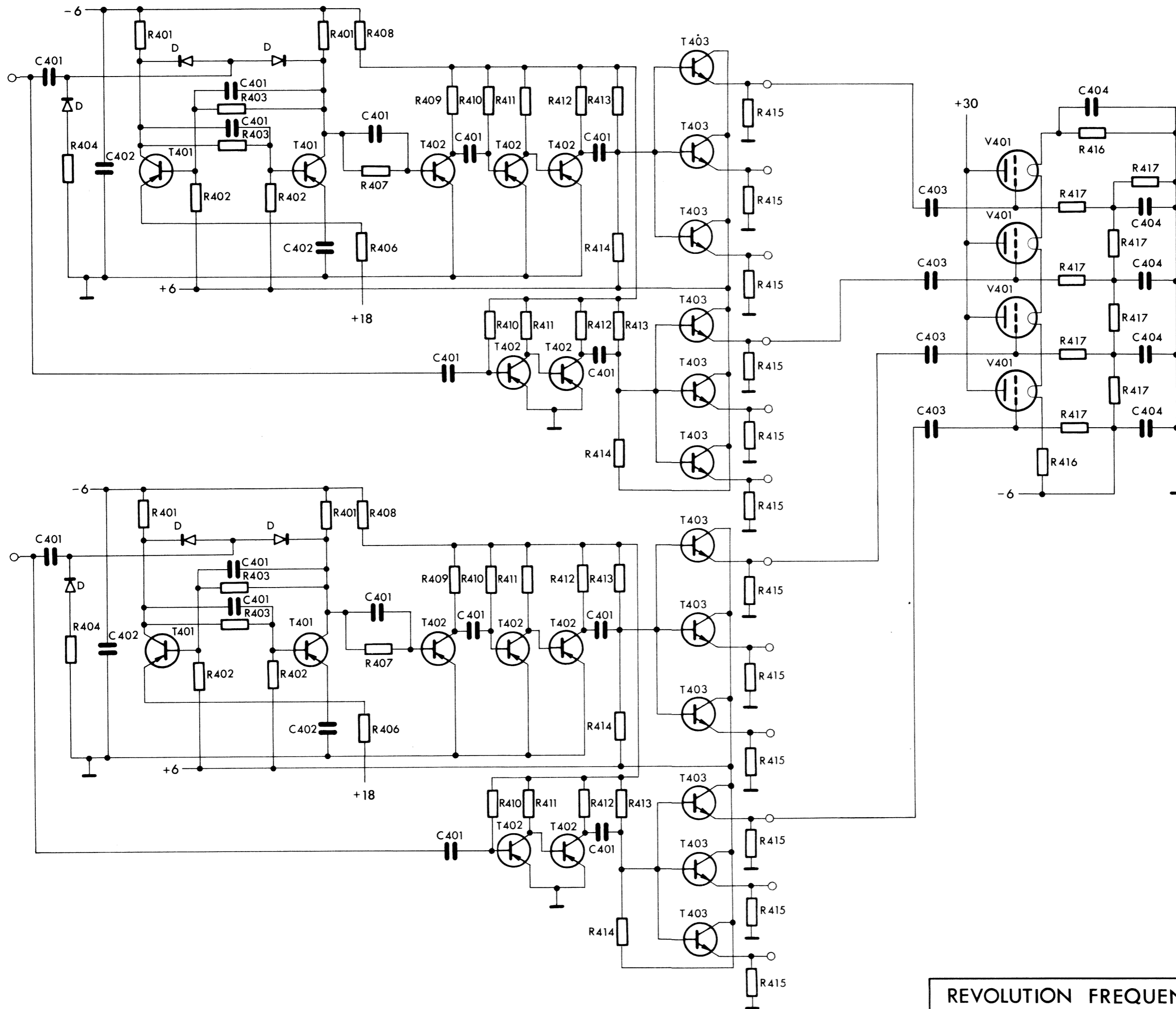


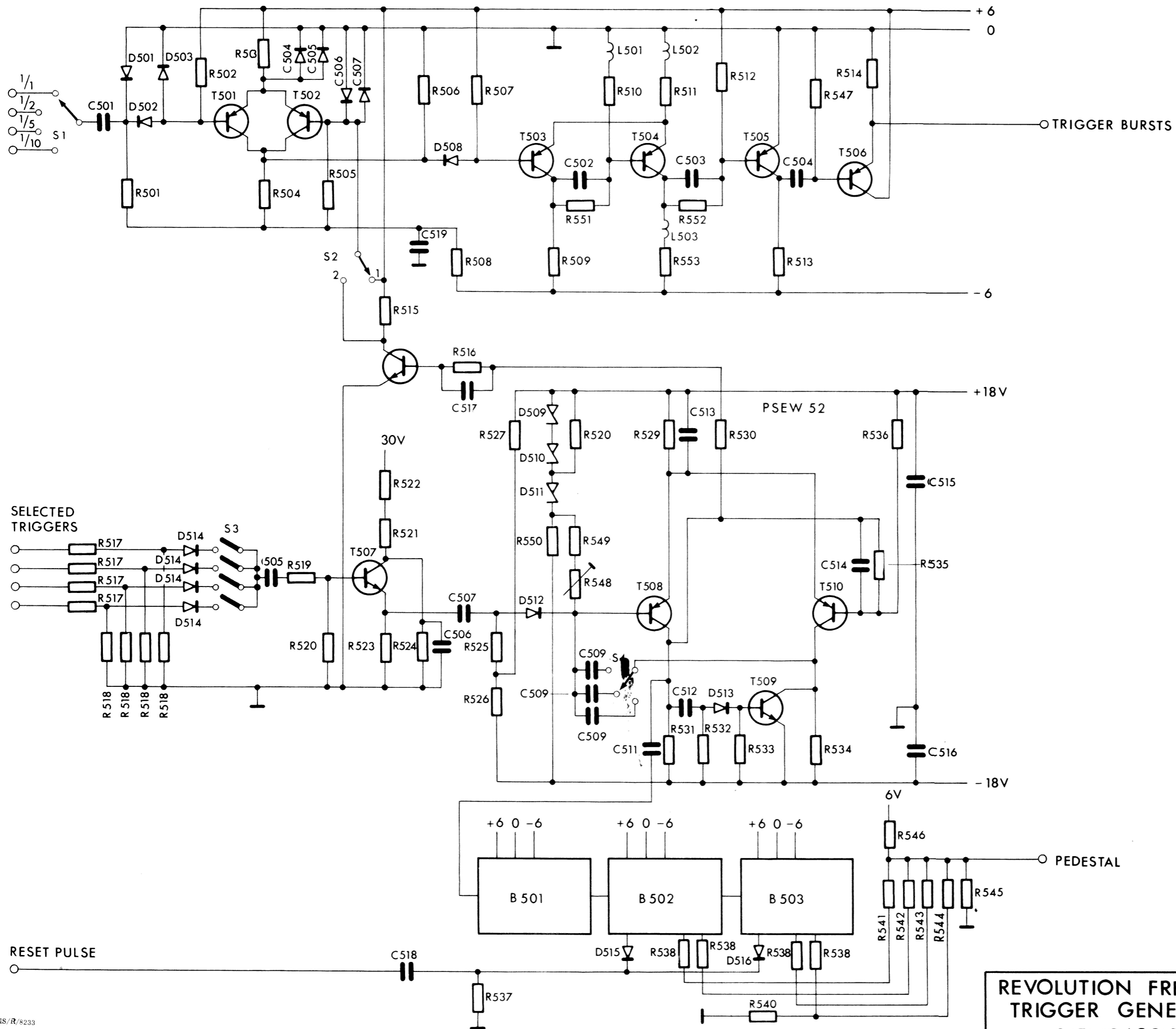
Fig.2



REVOLUTION FREQUENCY TRIGGER GENERATOR
 TIMING LOGIC ETC.

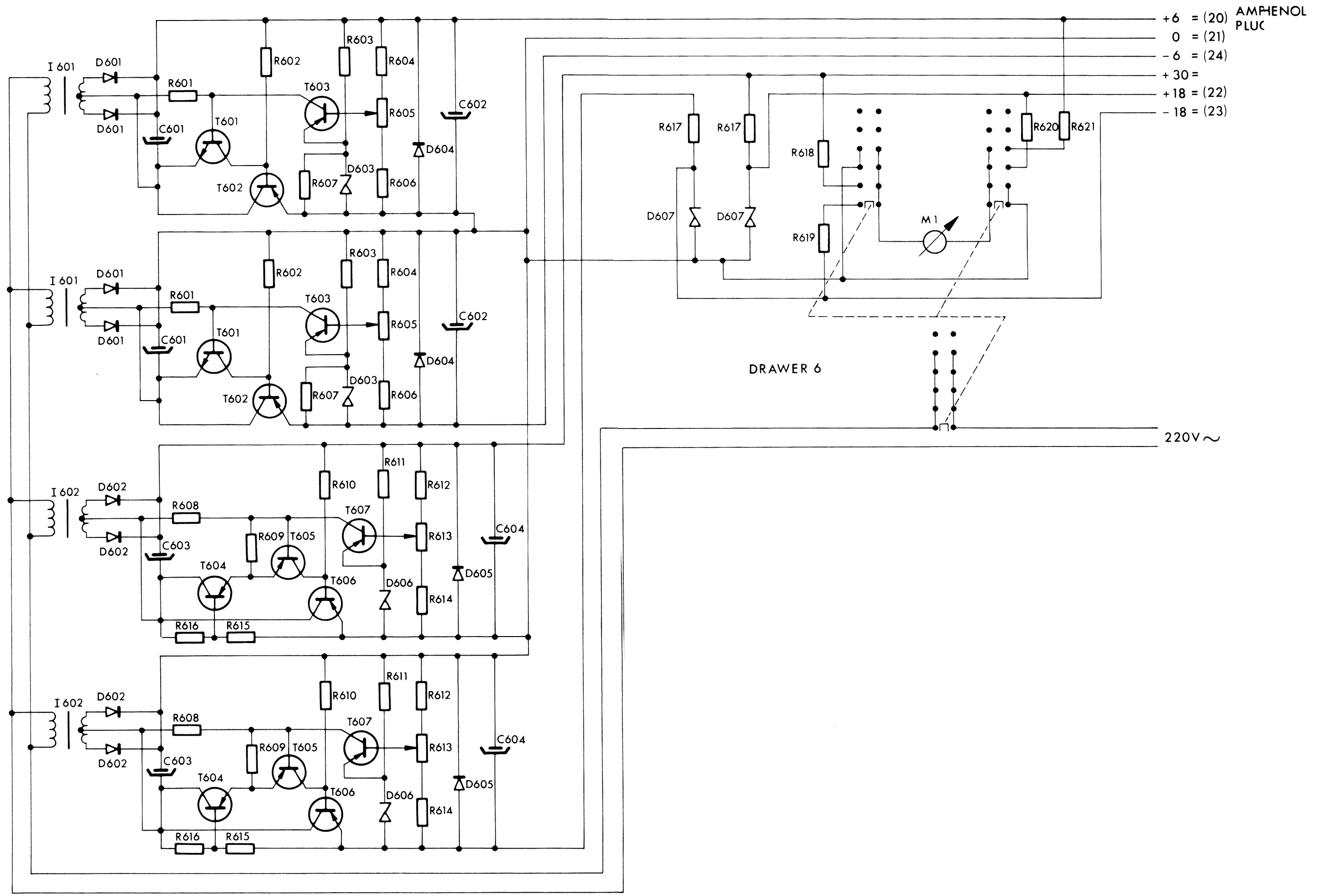
CERN - MPS
2662-1-1
 12.2.1964 *Revised*

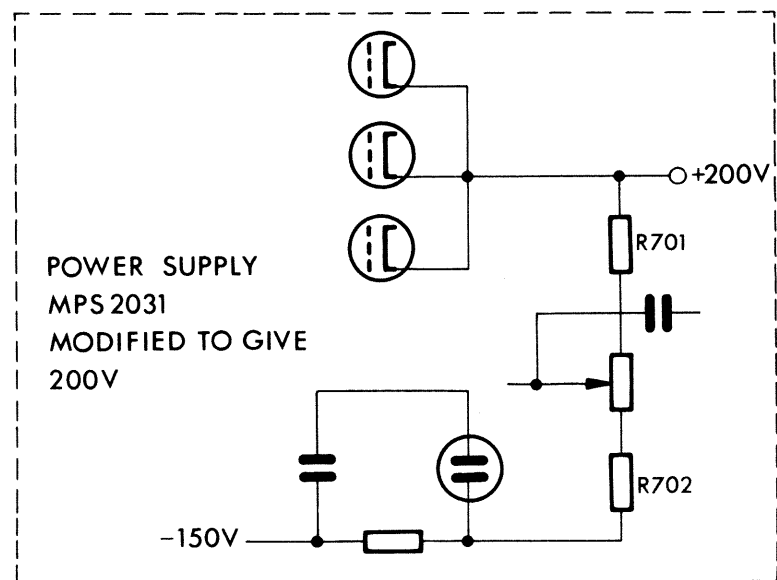
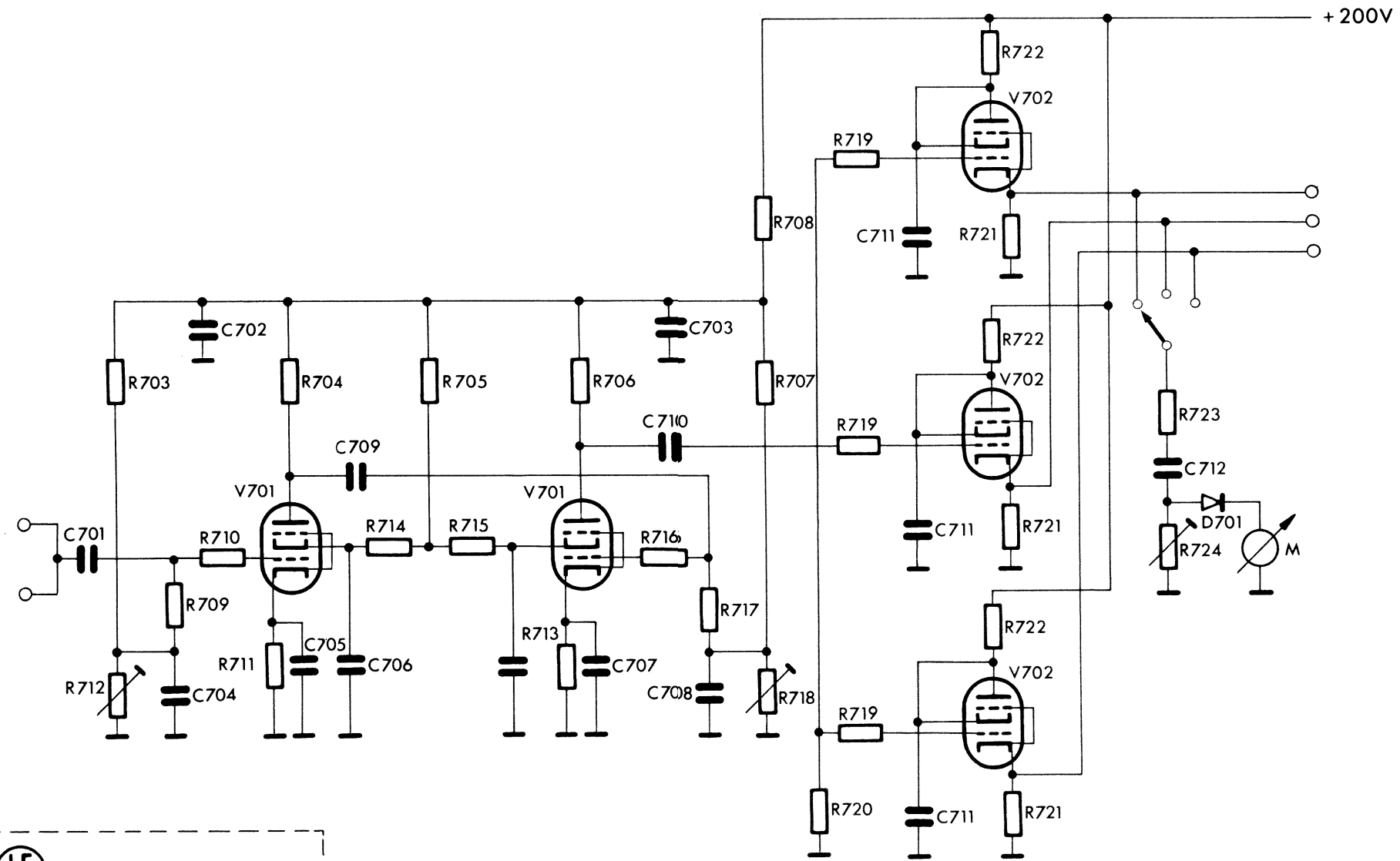




**REVOLUTION FREQUENCY
TRIGGER GENERATOR**
GATING LOGIC FOR
BURSTS AND PEDESTAL

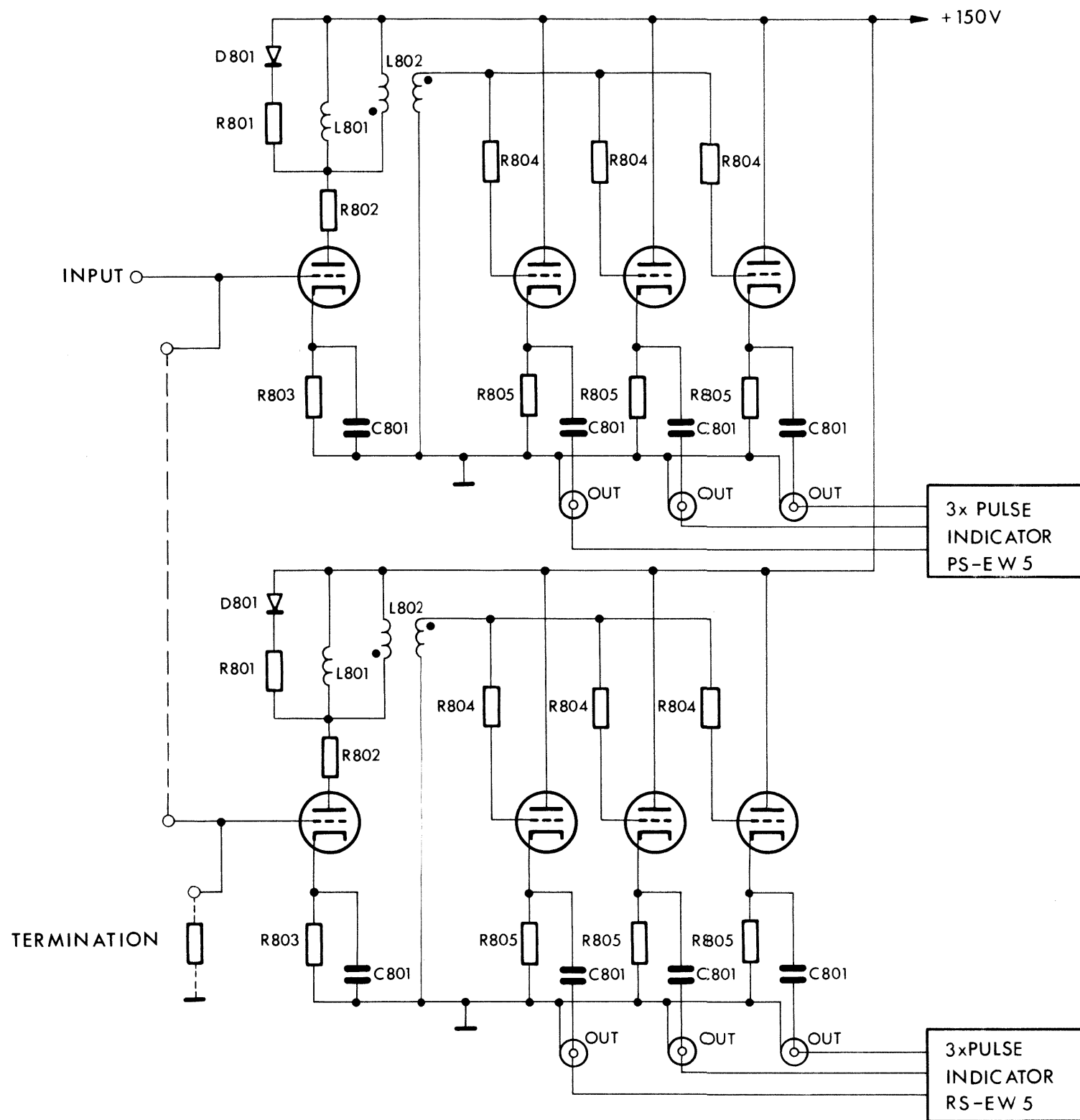
**CERN-MPS
2666-1-3**
20.2.1964 *Revised*





REVOLUTION FREQUENCY
TRIGGER GENERATOR
R.F. AMPLIFIER

CERN-MPS
2668-1-3
21.2.1964 *Bitamill*



REVOLUTION FREQUENCY
 TRIGGER GENERATOR
 BRANCHING UNIT

CERN-MPS
 2669-1-3
 24.2.1964 *liberal*