

Xtal OSCILLATOR RF DISTRIBUTION PLUG IN490003 LE

R. Barthélémy

R. Garoby

1. DESCRIPTION

This unit contains a 6 outputs RF distribution amplifier and a 10,7 MHz Xtal oscillator. It can be used either as an RF amplifier with 0 dB gain (50  $\Omega$  source/50  $\Omega$  load) or as a 10,7 MHz source with 6  $\times$  10 dBm outputs/50  $\Omega$ .

In the RF distribution mode the input is a single transistor amplifier (gain 2) followed by a LH002 current booster driving the 6 output current boosters 1H002.

In the Xtal oscillator mode a 2N3546 transistor is wired as an oscillator with Xtal in base.

The function selection is obtained by a jumper on the printed circuit board.

2. ADJUSTMENTS

The 60 pF trimmer condensator allows to adjust the oscillator frequency exactly at 10,7 MHz. No adjustments are required for the RF distribution part.

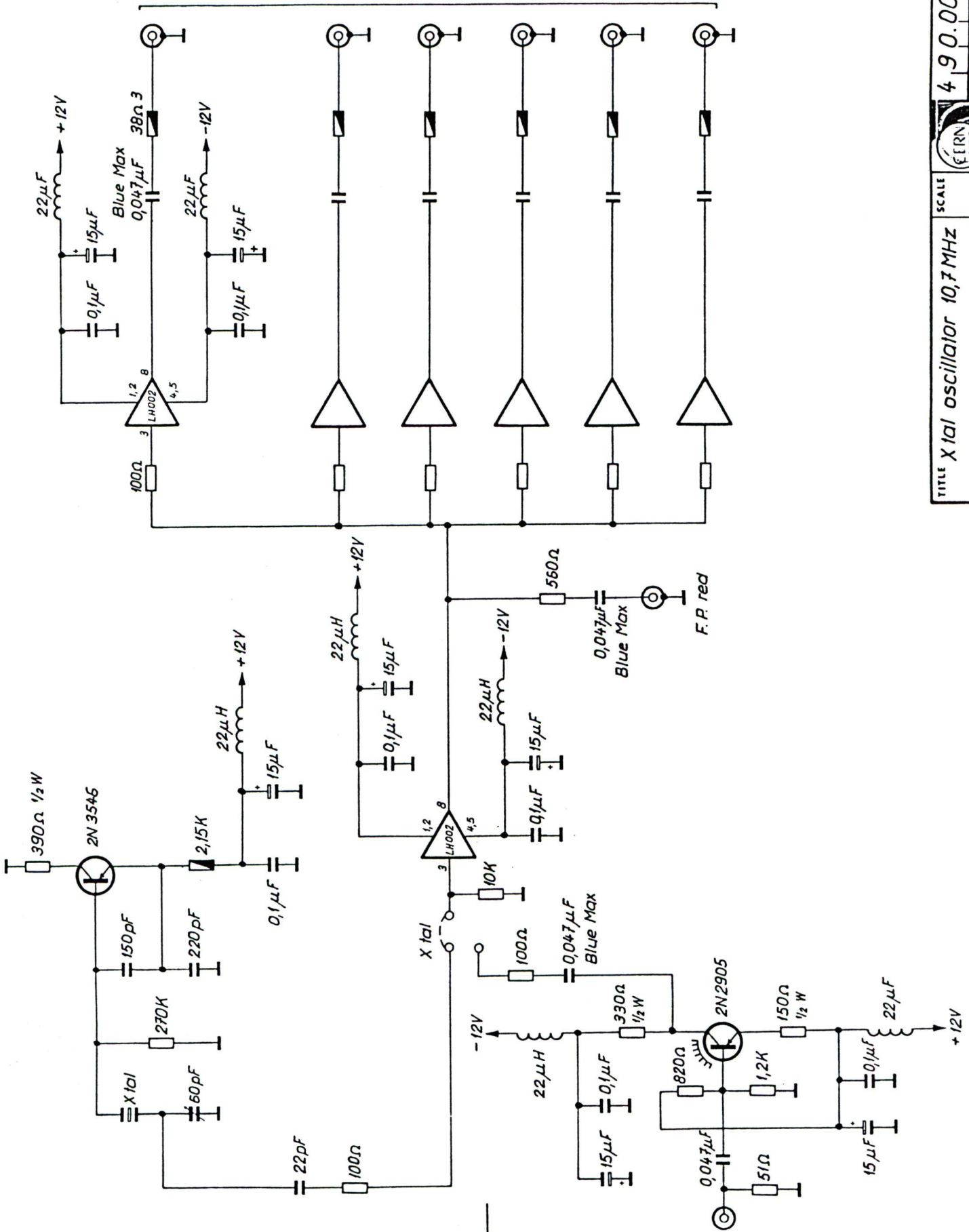
### 3. SPECIFICATIONS

#### 2.1 Oscillator

Frequency	10,7 MHz $\pm$ 30 Hz
Harmonic 2	< - 45 dB
Harmonic 3	< - 40 dB
Output	+ 14 dBm

#### 2.2 Distribution Amplifier

Input max.	15 dBm
Output max.	15 dBm/50 $\Omega$
3 dB Band Pass	0 to 20 MHz
Gain	$\simeq$ 0 dB (/50 $\Omega$ load)



Outputs  
 6 canaux iden-  
 tiques  
 R.P. green

TITRE X101 oscillator 10,7 MHz  
 SCALE

4 90.003 LE 2013