

Traveling wave method for simulating geometric beam coupling impedance of a beam screen with pumping holes

Sergey Arsenyev,* Alexej Grudiev, and Daniel Schulte
CERN, Geneva 1211, Switzerland

 (Received 18 February 2019; published 28 May 2019)

In particle accelerators, pumping holes in a vacuum chamber can be a source of unwanted broadband coupling impedance, leading to beam instabilities. Analytical methods have been previously developed to estimate the impedance of holes in circularlike chambers, e.g., the beam screen of the Large Hadron Collider (LHC). More sophisticated chamber designs like that of the High Energy LHC and the Future Circular Collider (the hadron-hadron option) call for a different way to calculate the impedance. We propose using the decomposition of the wakefield into synchronous traveling waves and employing a numerical solver to find the impedance of each wave. This method is compared to the direct time domain wakefield calculation method, and its greater sensitivity to small impedances is shown.

DOI: 10.1103/PhysRevAccelBeams.22.051002

I. INTRODUCTION

In hadron colliders such as the Large Hadron Collider (LHC), the proposed High Energy LHC (HE-LHC), and the Future Circular Collider (the hadron-hadron option FCC-hh), the beam screen separates the particle beam from the magnet cold bore to avoid having the synchrotron radiation heat load on the cold mass (Fig. 1). The pumping holes connect the space inside the beam screen to the outer region from where the air is pumped out. In this paper, we propose a new method for the calculation of the geometrical beam coupling impedance of the pumping holes. In particular, we focus on the imaginary part of the longitudinal and the transverse impedances $\text{Im}[Z_{\parallel}(f)]$ and $\text{Im}[Z_{\perp}(f)]$. In the mentioned colliders, estimating these quantities at the frequencies of the bunch spectrum (up to ~ 1 GHz) is critical to ensure single-bunch beam stability. Power dissipation through the holes, related to $\text{Re}[Z_{\parallel}(f)]$, is another important aspect of the impedance of the holes but is beyond the scope of this paper.

For a beam screen with a circular cross section, analytical models based on Bethe's theory can be applied [1–4]. However, purely analytical models are not applicable if the cross section of the beam screen is far from a circle, which is the case for the FCC-hh and the HE-LHC beam screens due to the additional shielding (Fig. 1). A semianalytical approach suggested in Ref. [5] employs Bethe's formalism

together with 2D simulations to estimate the fields at the holes. However, even this method is not applicable to the FCC-hh and the HE-LHC beam screens, because the holes cannot be considered small and the fields inside a hole vary by 2 orders of magnitude. More than that, even for a circular beam screen cross section, theoretical models can be wrong by a factor of a few as will be shown in Sec. III B. This error comes from neglecting the interference between consecutive holes and from not perfectly accounting for the influence of the outer chamber.

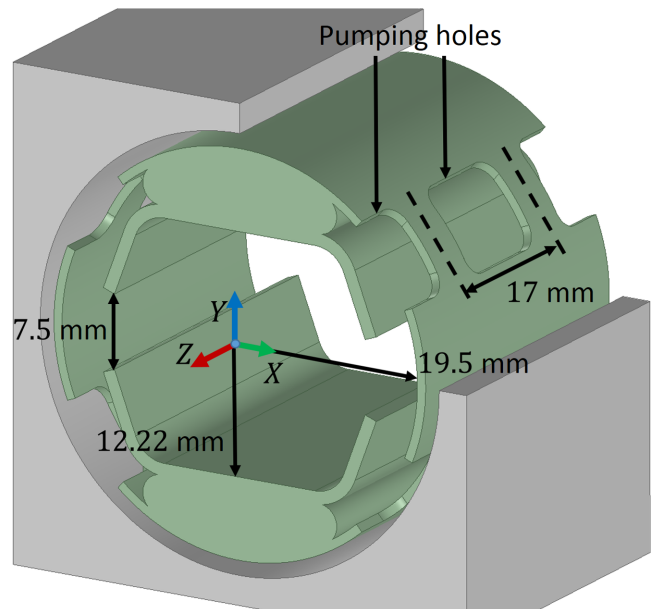


FIG. 1. FCC-hh beam screen (green) inside a magnet cold bore (gray). Only the features important to the study are shown, which excludes the cooling channel and the surface coatings.

*sergey.arsenyev@cern.ch

Published by the American Physical Society under the terms of the Creative Commons Attribution 4.0 International license. Further distribution of this work must maintain attribution to the author(s) and the published article's title, journal citation, and DOI.

Therefore, computational tools are needed. Often, time domain wakefield simulations with codes like CST [6], GdfidL [7], and ACE3P [8] are used to calculate impedance of complex 3D structures. However, in the case of a beam screen with pumping holes, the impedance per unit length can be so low that time domain simulations become not suitable due to the limited numerical accuracy.

The traveling wave method solves this problem by relating the impedance of the holes to a sum over waves traveling in the periodic structure. This technique by itself is not new and was applied before to estimate the impedance of a periodically corrugated beam pipe [9,10]. However, to the best knowledge of the authors, an impedance calculation through decomposition into traveling waves was never done for pumping holes (the method was briefly mentioned without a proof in an earlier study by the authors [11]). The method can be applied only to beam screens where the positions of the holes follow a regular pattern. This is the case for the FCC-hh and the HE-LHC beam screens, where the positions of the holes are not randomized (like in the LHC) in order to simplify the manufacturing and reduce the cost. The pattern repeats uninterrupted for the length of a cryodipole and part of the interconnect (15.3 m in total) with about 900 periods, making the beam screen well suited for the approximation of an infinite periodic structure.

An important difference between the implementation of the traveling wave method in Refs. [9,10] (for the case of a corrugated pipe) and the implementation in this paper is that the search for the synchronous waves cannot be purely analytical but requires eigenmode simulations. Nevertheless, as a simulation tool, such a method offers a valuable advantage over time domain simulations, as it allows one to calculate much smaller impedances. This advantage is related to the fact that the method requires only solving for eigenmodes in a single period of the structure, making the computation much lighter.

II. DESCRIPTION OF THE METHOD

To employ the method, we first find the traveling waves synchronous with the beam. For this, one period of a structure is simulated using an eigenmode solver, with the phase advance over the period ϕ given as a parameter and the eigenmode frequencies ω read as the output. The phase advance over one period is scanned over the Brillouin zone to obtain dispersion curves $\omega_n(\phi)$ (blue lines in Fig. 2). We then find intersections $(\phi_n^{\text{syn}}, \omega_n^{\text{syn}})$ of these curves with the synchronous line of the particle beam. In this paper, the beam is assumed to be ultrarelativistic ($\beta_{\text{rel}} \approx 1$) as is the case in FCC-hh and HE-LHC, although this is not a necessary condition to apply the method. For an ultrarelativistic beam, the synchronous line on the dispersion diagram is $\omega = \phi c/L$, appearing as multiple branches in the Brillouin zone (red lines in Fig. 2). Here c is

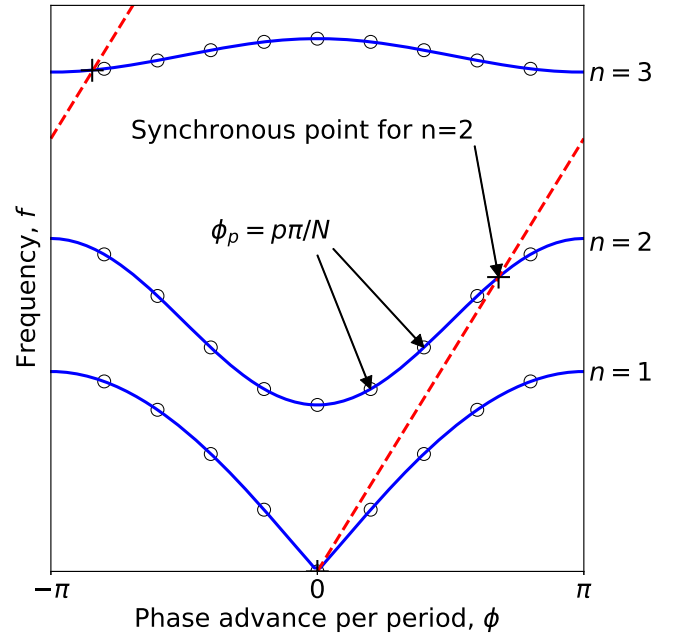


FIG. 2. An example of the dispersion diagram of a periodic structure with N periods. The blue lines represent the first three bands propagating in the structure, and the red lines represent the synchronous condition with the beam.

the speed of light, and L is the length of one period of the structure.

Then, for all the synchronous waves $(\phi_n^{\text{syn}}, \omega_n^{\text{syn}})$, the electromagnetic fields are integrated along the beam path to obtain the longitudinal and the transverse voltage kicks $V_{\text{syn}}^{\parallel}$ and V_{syn}^{\perp} , respectively:

$$\begin{aligned} V_{\text{syn}_n}^{\parallel} &= \frac{1}{e} \int_0^L F_{\parallel,n}(s, t = s/c) ds, \\ V_{\text{syn}_n}^{\perp} &= \frac{1}{e} \int_0^L F_{\perp,n}(s, t = s/c) ds, \end{aligned} \quad (1)$$

where s is the longitudinal coordinate, t is the time, and $F_{\parallel,n}$ and $F_{\perp,n}$ are the complex longitudinal and transverse Lorentz forces, respectively, experienced by a test particle of charge e . These voltages are then used to compute the shunt impedances (R/Q) of the waves. In this paper, we use the ‘‘circuit’’ definition for shunt impedances:

$$\left(\frac{R}{Q}\right)_{\text{syn}_n}^{\parallel} = \frac{|V_{\text{syn}_n}^{\parallel}|^2}{2\omega_n^{\text{syn}} U_n^{\text{syn}}}, \quad \left(\frac{R}{Q}\right)_{\text{syn}_n}^{\perp} = \frac{|V_{\text{syn}_n}^{\perp}|^2}{2\omega_n^{\text{syn}} U_n^{\text{syn}}}, \quad (2)$$

where U_n^{syn} is the energy stored in one period of the n th synchronous traveling wave.

Finally, the computed (R/Q) are used to find the longitudinal and the transverse beam coupling impedances per period of the structure $Z_{\parallel}(\omega)/N$ and $Z_{\perp}(\omega)/N$:

$$\begin{aligned} \frac{Z_{\parallel}(\omega)}{N} &= i\omega \sum_n \alpha_n \frac{1}{\omega_n^{\text{syn}}} \left(\frac{R}{Q} \right)_{\text{syn}_n}^{\parallel} + O(\omega^2), \\ \frac{Z_{\perp}(\omega)}{N} &= i \sum_n \alpha_n \frac{\omega_n^{\text{syn}}}{c} \left(\frac{R}{Q} \right)_{\text{syn}_n}^{\perp} + O(\omega), \end{aligned} \quad (3)$$

where N is the number of periods, factors α are the corrections due to nonzero group velocities v_g of the waves

$$\alpha(v_g) = \begin{cases} (1 - v_g/c)^{-1}, & \text{if } \omega_{\text{syn}} \neq 0, \\ (1 - v_g^2/c^2)^{-1}, & \text{if } \omega_{\text{syn}} = 0, \end{cases} \quad (4)$$

and the quantity $(R/Q)_{\text{syn}_n}^{\parallel}/\omega_n^{\text{syn}}$ should be interpreted as $\lim_{\omega' \rightarrow 0} (R/Q)_n^{\parallel}(\omega')/\omega'$ in the case $\omega_n^{\text{syn}} = 0$. The case $\omega_n^{\text{syn}} = 0$ appears when the structure allows the propagation of TEM-like waves with a zero cutoff frequency ($n = 1$ band in Fig. 2). It is crucial for a calculation of the longitudinal impedance of the pumping holes, as will be demonstrated in Sec. III B.

The relations (3) resemble those that can be obtained for ordinary standing wave cavities [12], with the exception of the additional factors α_n . The factors α_n are sometimes ignored for similar problems (see, for example, [9]). In many cases, this does not result in significant errors because of a small group velocity $v_g \ll c$. However, in the case of the pumping holes, a consistent disagreement in simulations prompted a strict derivation of the factors (see the Appendix). For the case of a nonzero synchronous crossing ($\omega_n^{\text{syn}} \neq 0$), the factors were also experimentally observed for Compact Linear Collider Power Extraction and Transfer Structure structure [13] and later derived in Refs. [10,14]. While taking a different path, the derivation in the Appendix leads to the same result for $\omega_n^{\text{syn}} \neq 0$ and a new result for the previously not considered case $\omega_n^{\text{syn}} = 0$.

III. APPLICATION AND BENCHMARKING OF THE METHOD

Below, we consider three different types of periodic structures: (i) a simple bellows, (ii) pumping holes in a circular pipe for which analytical models can be applied, and (iii) the FCC-hh beam screen.

For each structure, the traveling wave analysis is done as described in Sec. II. One period of a structure is independently simulated using the eigenmode solvers of Ansys Electronics Desktop [15] and the CST Microwave Studio [16], making sure that the results agree. In both solvers, the tetrahedral meshing method is used to better approximate the curved geometries. Since we focus only on the geometrical impedance, all metal walls are considered to be made of a perfect conductor.

A MATLAB [17] script is used to externally launch the eigenmode solver and to read out the results. The script scans points along the synchronous line (red line in Fig. 2) and finds all the intersections with the mode dispersion

curves ($\phi_n^{\text{syn}}, f_n^{\text{syn}}$) in the desired frequency range. Finding the intersection points consumes most of the computational time. Once the points are found, the longitudinal and the transverse shunt impedances are calculated by integrating the electromagnetic force along the beam path. Since all the considered structures possess mirror symmetries in X and Y , symmetry planes are applied: the magnetic symmetries in both XZ and YZ for the longitudinal impedance, or the magnetic symmetry in XZ and the electric symmetry in YZ for the transverse impedance in the X direction. In all considered structures, the transverse impedance in the Y direction is lower than (or equal to) the transverse impedance in the X direction and is not discussed.

The traveling wave method is compared to the wakefield solver of CST [6]—a well-established time domain solver for wake and impedance calculations. The impedance computed in the CST wakefield solver is a result of a direct Fourier transformation of the wake function, with both the longitudinal and the transverse impedances measured in Ω . We normalize the transverse impedance by the transverse offset to convert the result to Ω/m , which allows for the comparison. For the wakefield computation, a ten-period-long structure is terminated with open boundary conditions at the ends. Since the open boundary does not represent an infinitely repeating structure, reflected waves from the ends produce an unwanted contribution to the impedance. To cancel out this contribution, a 20-period-long structure is simulated and the difference between 10 and 20 periods was considered for the impedance calculation. Care is taken to make sure that this difference is reproduced when 30 periods are compared to 20 periods.

A. Bellows

The bellows structure shown in Fig. 3 is one of the simplest geometries to simulate; hence, a good agreement

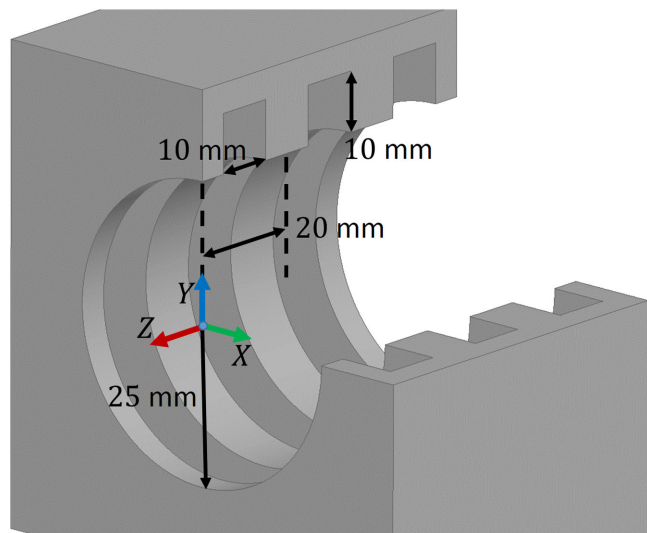


FIG. 3. The simulated bellows structure (three periods are shown).

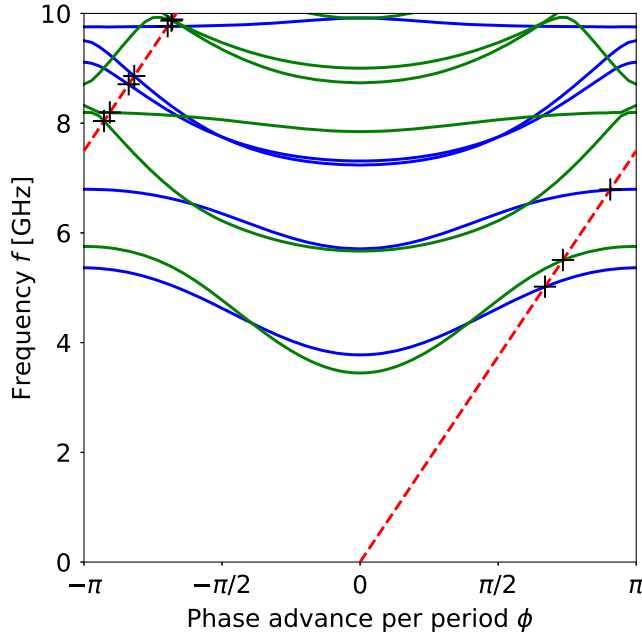


FIG. 4. Dispersion diagram for the bellows structure depicted in Fig. 3. The blue lines correspond to longitudinal modes, and the green lines correspond to transverse modes. The synchronous points are marked with black crosses.

between the different methods is expected. Dispersion curves for the first five longitudinal and transverse modes are shown in Fig. 4. Results of the traveling wave method are shown in Tables I and II for the longitudinal and the transverse cases, respectively. The corresponding total impedances given by Eq. (3) agree within 5% with the results of the CST wakefield solver (also shown in Tables I and II). For this simple structure, the impedances are dominated by the lowest-frequency traveling wave in both the longitudinal and the transverse cases. Notice also that, if the correction factors α were not taken into

TABLE I. Longitudinal traveling wave data for one period of the bellows structure depicted in Fig. 3. The final result for $\text{Im}(Z_{||})/f$ is the sum of the elements of the third column weighted with the corresponding factors α . The result of the wakefield solver is also shown for comparison.

Mode number	f_{syn} [GHz]	$\frac{1}{f_{\text{syn}}} \left[\frac{R_{ }^x}{Q_{\text{syn}}} \right] \left[\frac{\Omega}{\text{GHz}} \right]$	α
1	5.03	2.37×10^0	1.37
2	6.79	$<10^{-5}$	1.04
3	8.71	9.15×10^{-2}	0.68
4	8.86	$<10^{-5}$	0.63
5	9.77	$<10^{-5}$	1.00
$\text{Im}(Z_{ })/f$ (traveling wave)		3.31 Ω/GHz	
$\text{Im}(Z_{ })/f$ (wakefield solver)		3.50 Ω/GHz	

TABLE II. Transverse traveling wave data for one period of the bellows structure depicted in Fig. 3. The final result for $\text{Im}(Z_{\perp})$ is the sum of the elements of the third column weighted with the corresponding factors α . The result of the wakefield solver is also shown for comparison.

Mode number	f_{syn} [GHz]	$\frac{2\pi f_{\text{syn}}}{c} \left[\frac{R_{\perp}^x}{Q_{\text{syn}}} \right] \left[\frac{\Omega}{m} \right]$	α
1	5.51	2.85×10^2	1.38
2	8.04	5.18×10^0	0.58
3	8.20	1.31×10^{-5}	0.99
4	9.87	9.12×10^0	0.79
5	9.89	1.82×10^{-3}	0.69
$\text{Im}(Z_{\perp})$ (traveling wave)		403 Ω/m	
$\text{Im}(Z_{\perp})$ (wakefield solver)		410 Ω/m	

account, the results would have been underestimated by 40%.

B. Pumping holes in a circular pipe

We now consider a simple structure with pumping holes, shown in Fig. 5. It consists of a circular pipe with two circular holes per cross section, opening up to a cylindrical outer region. This simple geometry allows comparing calculated impedances to an analytical model by Kurennoy [1]. According to this model (and confirmed by the later study accounting for the outer coaxial region [4]), for circular holes the imaginary parts of impedances are given by

$$-\frac{\text{Im}(Z_{||})}{N} = \frac{Z_0 R_h^3 M}{6\pi^2 c b^2} \omega, \quad (5)$$

$$-\frac{\text{Im}(Z_{\perp})}{N} = \begin{cases} \frac{2Z_0 R_h^3 M}{3\pi^2 b^4}, & \text{if } M = 1 \text{ or } 2 \\ \frac{Z_0 R_h^3 M}{3\pi^2 b^4}, & \text{if } M \geq 3, \end{cases} \quad (6)$$

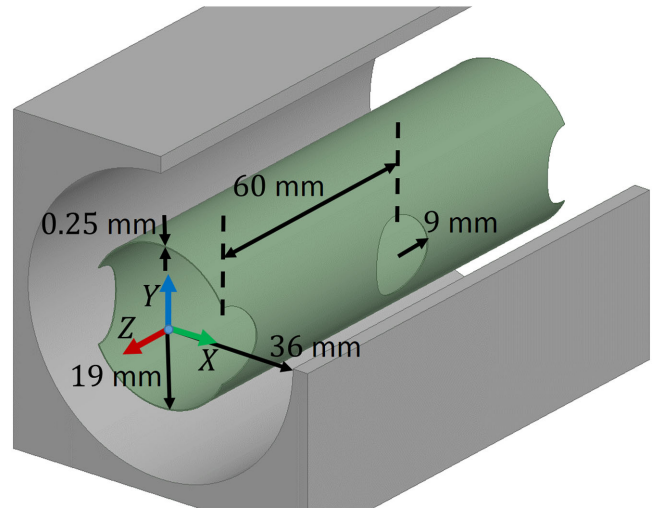


FIG. 5. Pumping holes in a circular pipe for the case $M = 2$ (two periods are shown).

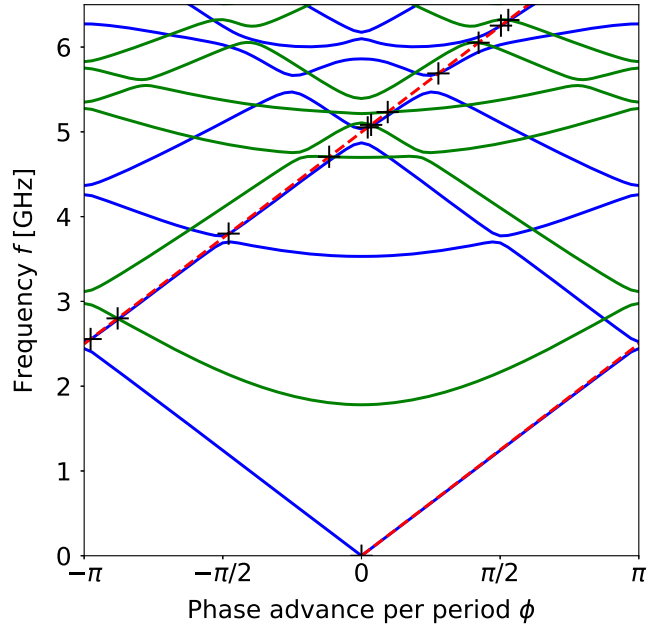


FIG. 6. Dispersion diagram for the circular pipe structure depicted in Fig. 5. The blue lines correspond to longitudinal modes, and the green lines correspond to transverse modes (X direction). The synchronous points are marked with black crosses.

where N is the number of periods, $Z_0 = 377 \Omega$ is the impedance of the vacuum, R_h is the hole radius, b is the inner radius of the pipe, and M is the number of holes per cross section ($M = 2$ in the considered structure). For the considered geometry, the effect of the wall thickness on the polarizabilities can be neglected (see Fig. 5 in Ref. [18]).

An important complication relative to the case of the bellows arises from the fact that the outer region allows the propagation of a TEM-like mode, similar to a coaxial line. This mode is represented by the lowest blue line in the corresponding dispersion diagram (Fig. 6), almost matching the synchronous line. The exact intersection with the synchronous line appears at the point $\phi = 0, f = 0$ and is treated as a zero synchronous crossing as described in Sec. II.

Results of the traveling wave method are shown in Tables III and IV for the longitudinal and the transverse cases, respectively. In the case of the longitudinal impedance, the contribution of the first synchronous wave is much greater than that of all the other modes combined. This is due to the very high factor α caused by the dispersion curve of the first band almost matching the synchronous line. This shows the importance of treating the case $\omega_{\text{syn}} = 0$ separately. Indeed, if we had mistakenly used the nonzero crossing expression for α [Eq. (4), top], the final answer would have been a factor of 2 off.

In the case of the transverse impedance, the contributions are spread over a large number of traveling waves. Modes up

TABLE III. Longitudinal traveling wave data for one period of the circular pipe structure depicted in Fig. 5. The final result for $\text{Im}(Z_{\parallel})/f$ is the sum of the elements of the third column weighted with the corresponding factors α . The results of the wakefield solver and the analytical formula are also shown for comparison.

Mode number	f_{syn} [GHz]	$\frac{1}{f_{\text{syn}}} \left[\frac{R_h}{Q} \right]_{\text{syn}} \left[\frac{\Omega}{\text{GHz}} \right]$	α
1	0.00	5.77×10^{-3}	88.1
2	2.54	$< 10^{-5}$	3.50
3	3.79	$< 10^{-5}$	2.44
4	5.05	$< 10^{-5}$	1.94
5	5.69	1.31×10^{-5}	2.09
⋮			
150	19.96	$< 10^{-5}$	0.88
151	19.97	$< 10^{-5}$	0.61
152	19.98	$< 10^{-5}$	0.72
$\text{Im}(Z_{\parallel})/f$ (traveling wave)		0.508 Ω/GHz	
$\text{Im}(Z_{\parallel})/f$ (wakefield solver)		0.52 Ω/GHz	
$\text{Im}(Z_{\parallel})/f$ (analytical)		0.538 Ω/GHz	

to the frequency of 20 GHz were taken into account, with 143 modes in total. To check that the number of modes is sufficient, the evolution of the impedance is plotted as a function of the number of modes in Fig. 7. After summing more than 50 traveling waves ($f > 15$ GHz), the impedance converges to a value which is taken as the total impedance.

In Tables III and IV, the results of the traveling wave calculation are also compared to those obtained by the

TABLE IV. Transverse traveling wave data for one period of the circular pipe structure depicted in Fig. 5. The final result for $\text{Im}(Z_x)$ is the sum of the elements of the third column weighted with the corresponding factors α . The results of the wakefield solver and the analytical formula are also shown for comparison.

Mode number	f_{syn} [GHz]	$\frac{2\pi f_{\text{syn}}}{c} \left[\frac{R_h}{Q} \right]_x \left[\frac{\Omega}{m} \right]$	α
1	2.80	3.21×10^1	0.58
2	4.71	4.18×10^0	0.96
3	5.08	3.91×10^1	0.70
4	5.23	4.90×10^0	1.08
5	6.05	2.57×10^1	0.86
⋮			
141	19.89	1.54×10^{-1}	1.44
142	19.92	2.65×10^{-2}	0.73
143	19.96	1.34×10^{-1}	1.13
$\text{Im}(Z_x)$ (traveling wave)		247 Ω/m	
$\text{Im}(Z_x)$ (wakefield solver)		275 Ω/m	
$\text{Im}(Z_x)$ (analytical)		285 Ω/m	

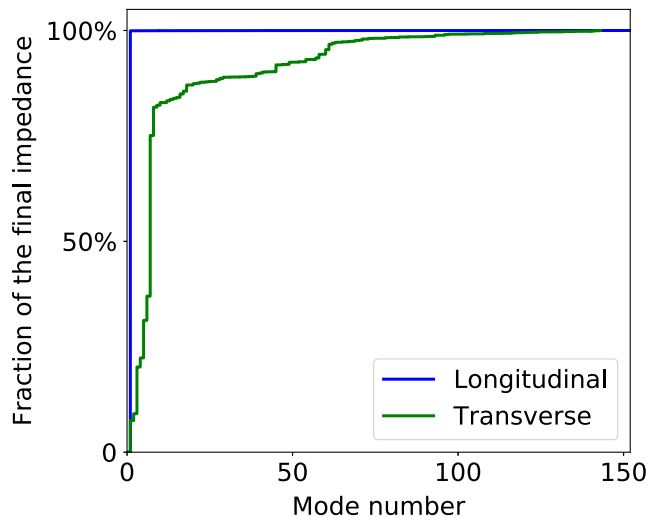


FIG. 7. Convergence check for the circular pipe structure depicted in Fig. 5.

wakefield solver and by the analytical model of Eq. (6). All three methods agree within 15%. However, while the agreement between the traveling wave method and the wakefield solver is always to be expected, the agreement with the analytical model is achieved only thanks to the careful choice of the geometry parameters. In particular, a large distance between the holes L and a large radius of the outer wall R_{out} are necessary for Eq. (5) to correctly estimate the impedance.

To prove this statement, we consider an example of a geometry that better reflects the features of a real beam screen and call it “geometry B ” (as opposed to the already analyzed “geometry A ”). In particular, we reduce the period length L to 20 mm to make the holes more tightly packed and reduce the outer chamber radius R_{out} to 22 mm to reflect the fact that the beam screen occupies most of the cold bore space. As far as the analytical approach is concerned, the changes in L and R_{out} have no impact on the impedance. This, however, is not the case, as is shown in Table V, where the results of the two computational methods are compared to the analytical model for both geometries. One can see that the analytical approach works well only for geometry A but significantly overestimates

TABLE V. Comparison between the analytical model and the computational methods for two different geometries. The values for $\text{Im}(Z_{\parallel})/f$ are in Ω/GHz , and the values for $\text{Im}(Z_x)$ are in Ω/m .

Method	Geometry A		Geometry B	
	$\text{Im}(Z_{\parallel})/f$	$\text{Im}(Z_x)$	$\text{Im}(Z_{\parallel})/f$	$\text{Im}(Z_x)$
Trav. waves	0.508	247	0.163	77
Wake. solver	0.52	275	0.165	87
Analytical	0.538	285	0.538	285

the impedance for geometry B . Thus, even if the FCC-hh beam screen had a circularlike cross section, the theory could have been used only to get a rough (within a factor of a few) estimate.

C. FCC-hh beam screen

We consider the 2018 version of the FCC-hh beam screen design (Fig. 1), which is different from the previous designs considered, for example, in Ref. [11]. An important difference from the case of the circular pipe (Sec. III B) comes from the addition of the hole shielding. Because of the shielding, the holes are not directly visible to the beam and instead are coupled to the beam region through a slit. The narrower the slit, the stronger the shielding of the holes, and, consecutively, the lower the hole impedance. The low impedance *per period* of the structure, however, still needs an exact estimate, as with 4.8 million periods in the FCC-hh it can reach a critical level. When estimating low impedances, the traveling wave method is expected to have a significant advantage over the wakefield solver. This is due to the fact that only one period of the structure needs to be simulated and due to the more accurate conformal tetrahedral mesh available in eigenmode solvers.

In order to calculate very low impedances with the traveling wave method, special care is taken to reduce the numerical noise floor of the eigenmode simulations. For that, the mesh nodes are forced to lie on the voltage integration line, and the mesh steps along the line are made much smaller than in the rest of the volume (Fig. 8). The synchronicity condition is strictly enforced, as the phase advance is adjusted until the frequencies of the traveling waves to lie within 10 kHz from the synchronous line.

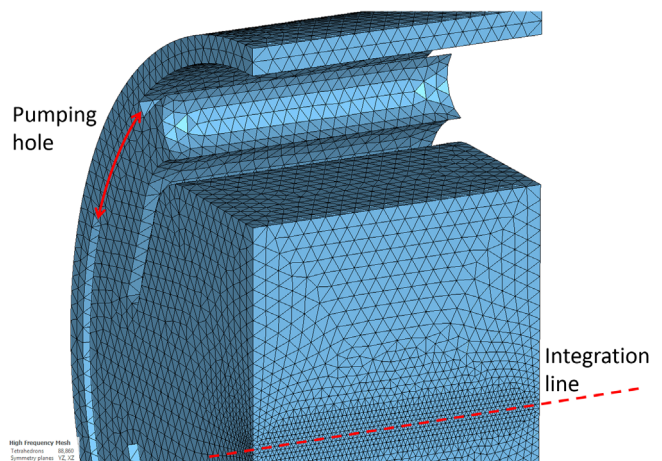


FIG. 8. Meshing of the vacuum volume in the FCC-hh beam screen used in the CST eigenmode simulations. To calculate very low impedances of the structure with the slit width of 7.5 mm, we used 88 860 noncurved tetrahedral mesh cells, a 1.1 mesh equilibrate ratio, the third-order solver, and two adaptive mesh refinement passes.

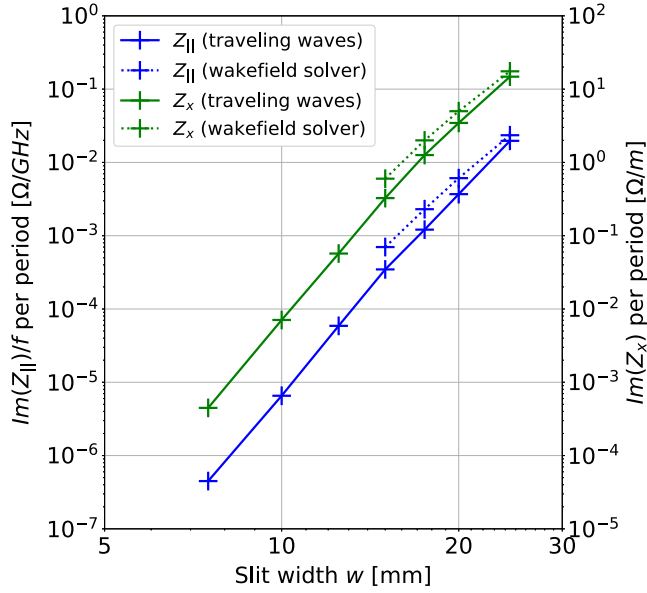


FIG. 9. Impedance of the holes in the FCC-hh beam screen as a function of the slit width.

To measure the noise level, we simulate a modified geometry for which the impedance is known to be strictly zero. For that, the consecutive holes are connected together creating an infinitely long continuous hole. The cross section of such a structure is a constant of the longitudinal coordinate, leading to the zero geometrical impedance. Therefore, for each traveling wave, a small numerically obtained impedance gives the noise floor. The mesh and eigenmode solver parameters were chosen to minimize this noise floor.

For the actual FCC-hh beam screen design, the wakefield solver fails to give an impedance estimate, as the impedance is far below the computational noise. Nevertheless, the wakefield solver can be compared to the traveling wave method for geometries with wider slits, where the impedance is not low. Such a comparison is shown in Fig. 9 for the slit width w ranging from 7.5 (the actual design) to 24.44 mm (the screen is completely removed). For the case of $w = 24.44$ mm, the two methods agree within 20%, but the corresponding lines start diverging for narrower slits due to the wakefield results affected by the computational noise. In the range $w < 15$ mm, the wakefield solver becomes unusable, while the traveling wave solver gives converging results even for $w = 7.5$ mm. Thus, the sensitivity of the traveling wave method to low impedances exceeds the one of the wakefield solver by 3 orders of magnitude.

For narrow slits $w < 15$ mm, the curves for $\text{Im}(Z_{||})(w)$ and $\text{Im}(Z_x)(w)$ approach straight lines on the log-log scale (Fig. 9). These lines correspond to a very steep dependence on the slit width that can be approximated by $\text{Im}(Z) \propto w^{9.5}$, confirming that the shielding is very effective at reducing the impedance of the holes. For the actual design ($w = 7.5$ mm), the traveling wave method gives

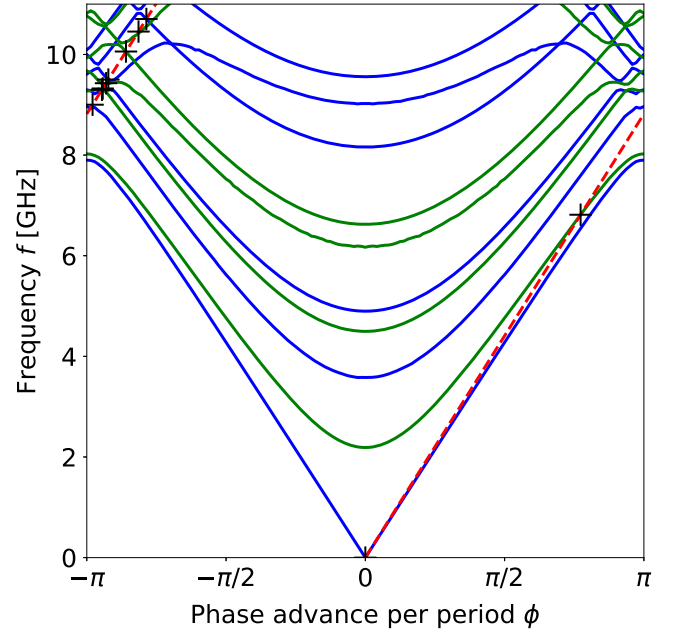


FIG. 10. Dispersion diagram for the FCC-hh beam screen with the slit width of 7.5 mm. The green lines correspond to longitudinal modes, and the blue lines correspond to transverse modes (X direction). The synchronous points are marked with black crosses.

$$\text{Im}(Z_{||})_{\text{per period}}/f = 4.49 \times 10^{-7} \text{ } \Omega/\text{GHz},$$

$$\text{Im}(Z_x)_{\text{per period}} = 4.48 \times 10^{-4} \text{ } \Omega/\text{m}. \quad (7)$$

The corresponding dispersion diagram and the convergence check are plotted in Figs. 10 and 11, and the eigenmode data are presented in Tables VI and VII for the first 40 modes. The total impedance of 4.8 million periods of the holes is

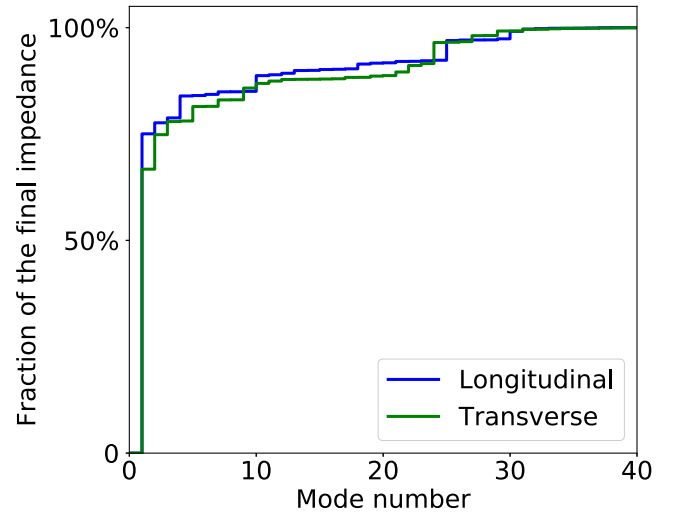


FIG. 11. Convergence check for the FCC-hh beam screen with the slit width 7.5 mm.

TABLE VI. Longitudinal traveling wave data for one period of the FCC-hh beam screen depicted in Fig. 1. The final result for $\text{Im}(Z_{\parallel})/f$ is the sum of the elements of the third column weighted with the corresponding factors α .

Mode number	f_{syn} [GHz]	$\frac{1}{f_{\text{syn}}} \frac{[R]_{\parallel}}{[Q]_{\text{syn}}} [\frac{\Omega}{\text{GHz}}]$	α
1	0.00	1.66×10^{-8}	20.3
2	9.00	1.36×10^{-8}	0.85
3	9.30	3.82×10^{-9}	1.35
4	9.50	3.41×10^{-8}	0.68
5	10.70	7.36×10^{-10}	0.61
:			
38	27.31	1.18×10^{-10}	0.53
39	27.33	1.07×10^{-11}	0.77
40	27.45	3.28×10^{-11}	0.75
$\text{Im}(Z_{\parallel})/f$ (traveling wave)		$4.49 \times 10^{-7} \Omega/\text{GHz}$	

TABLE VII. Transverse traveling wave data for one period of the FCC-hh beam screen depicted in Fig. 1. The final result for $\text{Im}(Z_x)$ is the sum of the elements of the third column weighted with the corresponding factors α .

Mode number	f_{syn} [GHz]	$\frac{2\pi f_{\text{syn}}}{c} \frac{[R]_x}{[Q]_{\text{syn}}} [\frac{\Omega}{\text{m}}]$	α
1	6.81	5.13×10^{-5}	5.84
2	9.32	5.16×10^{-5}	0.71
3	9.43	1.20×10^{-5}	1.15
4	10.06	1.03×10^{-6}	0.58
5	10.45	7.07×10^{-6}	2.16
:			
38	26.97	1.28×10^{-7}	0.68
39	27.36	2.01×10^{-7}	0.54
40	27.87	3.99×10^{-7}	0.53
$\text{Im}(Z_x)$ (traveling wave)		$4.48 \times 10^{-4} \Omega/\text{m}$	

$$\begin{aligned} \text{Im}(Z_{\parallel})_{\text{total}}/n &= 6.7 \times 10^{-6} \Omega, \\ \text{Im}(Z_x)_{\text{total}} &= 2.2 \times 10^3 \Omega/\text{m}, \end{aligned} \quad (8)$$

where, as often used for stability studies, the longitudinal impedance is normalized over $n = f/f_{\text{rev}}$ and the revolution frequency $f_{\text{rev}} = 3.067$ kHz. In the FCC-hh, the instability threshold for $\text{Im}(Z_{\parallel})/n$ is in the $\text{m}\Omega$ range [19], and the instability threshold for $\text{Im}(Z_x)$ is in the $\text{M}\Omega/\text{m}$ range [20]. Therefore, as far as the beam stability is concerned, the impedance of the holes in the FCC-hh beam screen is completely negligible.

IV. CONCLUSIONS

We have shown that the traveling wave method is well suited for the calculation of the longitudinal and transverse impedances of pumping holes. The method was benchmarked against the CST time domain wakefield solver and

the analytical formulas for three different types of geometries. The method agrees well with both approaches in the cases when they are applicable. More than that, the method gives converging results even in the cases when one or both of the compared approaches cannot be applied. In particular, the analytical approach works only for simple geometries and only for some sets of parameters (Sec. III B). The wakefield solver, on the other hand, fails to calculate very low impedances due to the numerical noise (Sec. III C). As a consequence, the traveling wave method is the only option for the FCC-hh beam screen, where the geometry is complex and the impedance per unit length is very low. In this case, the method provides a 3 orders of magnitude better sensitivity than the wakefield solver.

The transverse impedance of the pumping holes in the FCC-hh beam screen is found to be negligible for single bunch instabilities. This is a consequence of the hole shielding that reduces the impedance by more than a factor of 30 000.

ACKNOWLEDGMENTS

This work was supported by the European Union's Horizon 2020 research and innovation program under Grant No. 654305. We also thank Walter Wuensch for the useful discussions.

APPENDIX: CORRECTION FACTORS DUE TO THE GROUP VELOCITY

Below, we will show the validity of Eq. (3) and, specifically, derive the correction factors $\alpha(v_g)$ listed in Eq. (4). To do that, we represent an infinite structure as a limiting case of an N -periods-long structure, with $N \rightarrow \infty$. In a finite structure, instead of a continuous dispersion curve, only discrete points $\phi_p = p\pi/N$ exist (the circles in Fig. 2). Each point corresponds to a standing wave, and for each standing wave, the resonator impedance model [12] can be applied:

$$\begin{aligned} Z_{\parallel}(\omega) &= \frac{R_{\parallel}}{1 + iQ\left(\frac{\omega}{\omega_{\text{res}}} - \frac{\omega_{\text{res}}}{\omega}\right)}, \\ Z_{\perp}(\omega) &= \frac{\omega_{\text{res}}}{\omega} \frac{(\omega_{\text{res}}/c)R_{\perp}}{1 + iQ\left(\frac{\omega}{\omega_{\text{res}}} - \frac{\omega_{\text{res}}}{\omega}\right)}, \end{aligned} \quad (\text{A1})$$

where ω_{res} is the resonant frequency, Q is the quality factor, and R_{\parallel} and R_{\perp} are defined according to Eq. (2). In order to make the transverse resonator formula consistent with the adopted definition for R_{\perp} (in Ω), the R_{\perp} (measured in Ω/m in Ref. [12]) was multiplied by the additional factor (ω_{res}/c) . By decomposing Eq. (A1) into the powers of ω and summing over all standing waves (without any correction factors α_n), we get

$$Z_{\parallel}(\omega) = i\omega \sum_{n,p} \frac{1}{\omega_{n,p}} \left(\frac{R}{Q}\right)_{n,p}^{\Sigma,\parallel} + O(\omega^2),$$

$$Z_{\perp}(\omega) = i \sum_{n,p} \frac{\omega_{n,p}}{c} \left(\frac{R}{Q}\right)_{n,p}^{\Sigma,\perp} + O(\omega). \quad (\text{A2})$$

Here the symbol Σ means that the shunt impedances are not per period, but the total impedances of the structure. We will show that the sum over the indexes $n \times p$ of the standing waves can be reduced to the sum over indexes n of the synchronous traveling waves with the correction factors $\alpha_n(v_g)$, as in Eq. (3).

Let us consider only one mode n and omit the index n below. To calculate the shunt impedances $(R/Q)_p^{\Sigma}$, we first write down the total voltage kick V_p^{Σ} (either longitudinal or transverse). The electromagnetic force F of a standing wave can be expressed as a sum of the forward and the backward waves:

$$V_p^{\Sigma} = \frac{1}{e} \int_0^{NL} (F^+ + F^-)|_{s,t=s/c} ds$$

$$= \frac{1}{e} \int_0^{NL} F_0(s) e^{i\omega_p s/c} (e^{-i\phi_p s/L} + e^{i\phi_p s/L}) ds, \quad (\text{A3})$$

where e is the elementary charge and $F_0(s) = F_0(s+L)$ is the periodic envelope function for both the forward and the backward waves, and the index p can be any integer in the range $0 \leq p \leq N-1$. Using the periodicity, we write

$$V_p^{\Sigma} = \left[\int_0^L \frac{F_0(s)}{e} e^{i\omega_p s/c - i\phi_p s/L} ds \right]$$

$$\times (1 + e^{i(L\omega_p/c - \phi_p)} + e^{2i(L\omega_p/c - \phi_p)} + \dots)$$

$$+ \left[\int_0^L \frac{F_0(s)}{e} e^{i\omega_p s/c + i\phi_p s/L} ds \right]$$

$$\times (1 + e^{i(L\omega_p/c + \phi_p)} + e^{2i(L\omega_p/c + \phi_p)} + \dots), \quad (\text{A4})$$

where the first summand corresponds to the $+p$ branch and the second summand corresponds to the $-p$ branch in Fig. 2. Furthermore, we can assume that, for each p , only one of the branches matters. Indeed, if the considered wave (ϕ_p, ω_p) lies close to the synchronous line $\omega = \phi c/L$ on the dispersion diagram, its counterpart $(-\phi_p, \omega_p)$ will be far from synchronous and will not amount to a significant impedance. Therefore, we can simplify Eq. (A4) by leaving only the first summand and extending the range of p to $-(N-1) \leq p \leq N-1$.

The integral in the first square brackets in Eq. (A4) is equal to V_p —the voltage of the p th traveling wave in a structure consisting of only one period. Therefore,

$$V_p^{\Sigma} \approx V_p (1 + e^{i\theta_p} + e^{2i\theta_p} + \dots + e^{2i(N-1)\theta_p}), \quad (\text{A5})$$

where $\theta_p = L\omega_p/c - \phi_p$ is the phase slippage per period. A geometrical representation of Eq. (A5) is depicted in Fig. 12. The farther away the point p is from the synchronous point (a

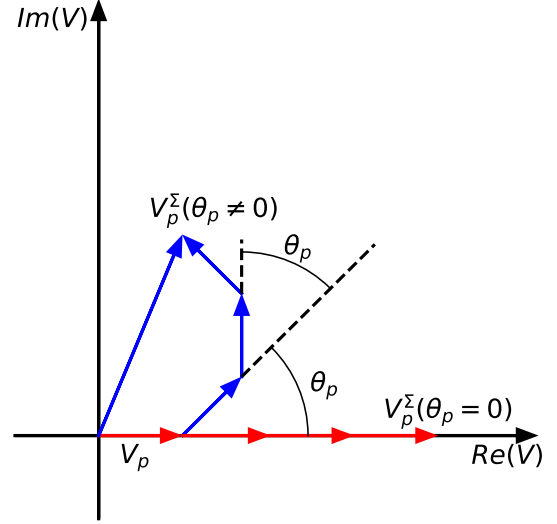


FIG. 12. Geometrical representation of the voltage summation $N = 4$ periods of the structure. The perfectly synchronous case is shown in red, and an asynchronous case is shown in blue.

cross in Fig. 2), the lower is its total voltage. Mathematically, it can be expressed as $|V_p^{\Sigma}| = N|V_p|g_N(\theta_p)$, where the function $g_N(\theta)$ describes the attenuation of the voltage sum due to asynchronicity. From Eq. (A5), it can be shown that

$$g_N(\theta) = \frac{\sin(N\theta/2)}{N \sin(\theta/2)}. \quad (\text{A6})$$

This compact result for $|V_p^{\Sigma}|$ is possible only thanks to the assumption that only one of the forward and the backward waves matters. If both waves were considered, $|V_p^{\Sigma}|$ would have to depend on the two voltages as $|V^+ + V^-|$, where V^+ and V^- correspond to the terms in Eq. (A4).

In one period of the structure, the energy stored in a standing wave is twice that stored in the corresponding traveling wave. Over N periods, the energy of the standing wave becomes $U_p^{\Sigma} = 2NU_p$. Given $|V_p^{\Sigma}|$ and U_p^{Σ} , the standing wave shunt impedance can be related to the per-period impedance of the p th traveling wave:

$$\left(\frac{R}{Q}\right)_p^{\Sigma} = \frac{|V_p^{\Sigma}|^2}{2\omega_p U_p^{\Sigma}} = \frac{N}{2} \left(\frac{R}{Q}\right)_p g_N^2(\theta_p). \quad (\text{A7})$$

We then plug this expression into Eq. (A2) and take the limit $N \rightarrow \infty$ to obtain the contribution of the n th resonance to the total impedances:

$$\frac{Z_{\parallel}(\omega)}{N} = i\omega \lim_{N \rightarrow \infty} \sum_p \frac{1}{\omega_p} \left(\frac{R}{Q}\right)_p^{\parallel} \frac{g_N^2(\theta_p)}{2} + O(\omega^2),$$

$$\frac{Z_{\perp}(\omega)}{N} = i \lim_{N \rightarrow \infty} \sum_p \frac{\omega_p}{c} \left(\frac{R}{Q}\right)_p^{\perp} \frac{g_N^2(\theta_p)}{2} + O(\omega). \quad (\text{A8})$$

As N increases, the function $g_N(\theta)$ becomes a sharper and sharper peak around $\theta = 0$. Using this fact, the quantities $(R/Q)_p^\parallel \omega_p^{-1}$ and $(R/Q)_p^\perp \omega_p$ can be taken out of the summation and replaced with $(R/Q)_{\text{syn}}^\parallel \omega_{\text{syn}}^{-1}$ and $(R/Q)_{\text{syn}}^\perp \omega_{\text{syn}}$, respectively. In the important case when $\omega_{\text{syn}} = 0$, a limit has to be taken while approaching the synchronous point: $\lim_{\omega' \rightarrow 0} (R/Q)^\parallel(\omega')/\omega'$.

After bringing back the summation over the bands n , Eq. (A8) transforms into the sought-after Eq. (3), with

$$\alpha(v_g) \equiv \lim_{N \rightarrow \infty} \sum_{p=-(N-1)}^{N-1} \frac{g_N^2(\theta_p)}{2}. \quad (\text{A9})$$

The only remaining part is to prove that the coefficient $\alpha(v_g)$ can be written as a function of the group velocity in the form of Eq. (4). To do that, the cases $\omega_{\text{syn}} \neq 0$ and $\omega_{\text{syn}} = 0$ are treated separately.

Let us first treat the case $\omega_{\text{syn}} \neq 0$. In the vicinity of the synchronous point, the dispersion curve can be approximated by a straight line $\omega_p = \omega_{\text{syn}} + (\phi_p - \phi_{\text{syn}}) \partial\omega/\partial\phi = \phi_{\text{syn}} c/L + (\phi_p - \phi_{\text{syn}}) v_g/L$. The phase slippage per period becomes

$$\theta_p = \left(1 - \frac{v_g}{c}\right) (\phi_{\text{syn}} - \phi_p). \quad (\text{A10})$$

The coefficient $\alpha(v_g)$ can be expanded as

$$\alpha = \lim_{N \rightarrow \infty} \frac{1}{2} \sum_{p=-(N-1)}^{N-1} \left[\frac{\sin[\xi(p^* - p)]}{N \sin[\frac{\xi}{N}(p^* - p)]} \right]^2, \quad (\text{A11})$$

where we have defined $\xi = \frac{\pi}{2}(1 - v_g/c)$ and $p^* = \phi_{\text{syn}} N/\pi$. As N increases, the terms in the denominator approach $\xi(p^* - p)$, and α approaches

$$\alpha = \frac{1}{2} \sum_{p=-\infty}^{\infty} \text{sinc}^2[\xi(p^* - p)]. \quad (\text{A12})$$

We can then use a remarkable property of the sinc function $\sum_{k=-\infty}^{\infty} \text{sinc}^2(ak - b) = \sum_{k=-\infty}^{\infty} \text{sinc}^2(ak) = \pi/a$ and rewrite α in a more compact way:

$$\alpha = \frac{\pi}{2\xi} = \frac{1}{1 - v_g/c}. \quad (\text{A13})$$

Now, let us consider the remaining case $\omega_{\text{syn}} = 0$. The sum in Eq. (A9) has to be split in two parts, because for negative p the group velocity has the opposite sign $v_g(-\phi_p) = -v_g(\phi_p)$, as shown in Fig. 2. By following the same steps as for the case $\omega_{\text{syn}} \neq 0$, we arrive to

$$\alpha = \frac{1}{2(1 - v_g/c)} + \frac{1}{2(1 + v_g/c)} = \frac{1}{1 - v_g^2/c^2}, \quad (\text{A14})$$

which proves Eq. (4).

-
- [1] S. S. Kurennoy, Coupling impedance of pumping holes, Part. Accel. **39**, 1 (1992).
 - [2] A. Mostacci, Beam-wall interaction in the LHC liner, doctoral thesis, Chap. 1, University of Rome ‘‘La Sapienza’’, 2001.
 - [3] R. L. Gluckstern, Coupling impedance of many holes in a liner within a beam pipe, Phys. Rev. A **46**, 1110 (1992).
 - [4] S. De Santis, M. Migliorati, L. Palumbo, and M. Zobov, Coupling impedance of a hole in a coaxial beam pipe, Phys. Rev. E **54**, 800 (1996).
 - [5] S. S. Kurennoy, Impedance issues for LHC beamscreen, Part. Accel. **50**, 167 (1995).
 - [6] CST Particle Studio Wakefield solver <https://www.cst.com/products/cstps/solvers/wakefieldsolver>.
 - [7] GdfidL electromagnetic field simulator <http://www.gdfidl.de/>.
 - [8] ACE3P T3P solver <https://confluence.slac.stanford.edu/display/AdvComp/T3P>.
 - [9] A. Mostacci, Ref. [2], Chap. 2.
 - [10] K. L. F. Bane and G. Stupakov, Impedance of a rectangular beam tube with small corrugations, Phys. Rev. ST Accel. Beams **6**, 024401 (2003).
 - [11] S. Arsenyev and D. Schulte, Broadband impedance of pumping holes and interconnects in the FCC-hh beamscreen, J. Phys. Conf. Ser. **1067**, 022003 (2018).
 - [12] B. W. Zotter and S. Kheifets, *Impedances and Wakes in High Energy Particle Accelerators* (World Scientific, Singapore, 1998), pp. 50 and 55.
 - [13] A. Millich and L. Thorndahl, Loss factor dependence on group velocity in disk-loaded travelling wave structures, CLIC Note No. 366.
 - [14] W. Wuensch, Calculation of the energy loss of a single bunch in a traveling wave structure, CLIC Note No. 404, 1999.
 - [15] ANSYS Electronics Desktop, <https://www.ansys.com/products/electronics/ansys-electronics-desktop>.
 - [16] CST Particle Studio Microwave Studio <https://www.cst.com/products/cstmws>.
 - [17] MATLAB <https://www.mathworks.com/products/matlab.html>.
 - [18] N. A. McDonald, Electric and magnetic coupling through small apertures in shield walls of any thickness, IEEE Trans. Microwave Theory Tech. **20**, 689 (1972).
 - [19] The Hadron Collider (FCC-hh), Future Circular Collider Conceptual Design Report Vol. 3, <https://fcc-cdr.web.cern.ch/#FCCHH>.
 - [20] S. Arsenyev and D. Schulte, FCC-hh transverse impedance budget, in *Proceedings of IPAC 2018, Vancouver, Canada* (JACoW, Geneva, Switzerland, 2018), MOPMF029, <https://doi.org/10.18429/JACoW-IPAC2018-MOPMF029>.