



The Compact Muon Solenoid Experiment
Conference Report

Mailing address: CMS CERN, CH-1211 GENEVA 23, Switzerland



23 March 2016 (v3, 30 May 2016)

Overview of large-area gas electron multiplier detectors for the forward muon system of the CMS experiment at the high-luminosity LHC

Jared Sturdy for the CMS Collaboration

Abstract

We report on the status of the project to install large-area triple-foil gas electron multiplier (GEM) detectors in the end-cap muon system of the Compact Muon Solenoid (CMS) experiment at the LHC operating at the high luminosity planned after the current period of data-taking (run 2). In the pseudo-rapidity region $1.6 < |\eta| < 2.4$, the GEM detectors will suppress the rate of background triggers while maintaining high trigger efficiency for low transverse momentum muons, and enhancing the robustness of muon detection in the high-flux environment of the end-cap region. GEM detectors will also be used to extend the range of muon identification up to about $|\eta| = 3.0$. We describe the design of the GEM chambers, readout electronics, and data acquisition system for the three stations in each endcap, located at increasing distances from the interaction point. For the intermediate station, the design is fixed and we describe plans to install several of the intermediate station detectors in the CMS detector during the current data-taking period, run 2. We describe the design and requirements for GEM (and other micro-pattern gas detector) systems for the innermost and outermost stations. Compact, fast-timing designs are under consideration for the innermost station. Mechanical design for the outermost station, which requires the largest detector area of the three stations, is also described.

Presented at VCI 2016 14th Vienna Conference on Instrumentation

Overview of large area triple-GEM detectors for the CMS forward muon upgrade

D. Abbaneo^q, M. Abbas^q, M. Abbrescia^b, M. Abi Akl^m, O. Aboamer^h, D. Acosta^o, A. Ahmad^s, W. Ahmed^s, A. Aleksandrov^{ab}, P. Altieri^b, C. Asawatangtrakuldee^c, P. Aspell^q, Y. Assran^h, I. Awan^s, S. Bally^q, Y. Ban^c, S. Banerjee^t, V. Barashko^o, P. Barria^e, G. Bencze^g, N. Beni^j, L. Benussiⁿ, V. Bhopatkar^w, S. Biancoⁿ, J. Bos^q, O. Bouhali^m, A. Braghieri^z, S. Braibant^d, S. Buontempo^y, C. Calabria^b, M. Caponeroⁿ, C. Caputo^b, F. Cassese^y, A. Castaneda^m, S. Cauwenbergh^r, F.R. Cavallo^d, A. Celikⁱ, M. Choi^{af}, S. Choi^{ad}, J. Christiansen^q, A. Cimmino^r, S. Colafranceschi^q, A. Colaleo^b, A. Conde Garcia^q, S. Czellar^j, M.M. Dabrowski^q, G. De Lentdecker^e, R. De Oliveira^q, G. de Robertis^b, S. Dildick^{i,r}, B. Dorney^q, G. Endroczi^g, F. Errico^b, A. Fenyvesi^j, S. Ferry^q, I. Furic^o, P. Giacomelli^d, J. Gilmoreⁱ, V. Golovtsov^p, L. Guiducci^d, F. Guilloux^{aa}, A. Gutierrez^l, R.M. Hadjiiska^{ab}, J. Hauser^v, K. Hoepfner^a, M. Hohlmann^w, H. Hoorani^s, P. Iaydjiev^{ab}, Y.G. Jeng^{af}, T. Kamonⁱ, P. Karchin^l, A. Korytov^o, S. Krutelyovⁱ, A. Kumar^k, H. Kim^{af}, J. Lee^{af}, T. Lenzi^e, L. Litov^{ac}, F. Loddo^b, A. Madorsky^o, T. Maerschalk^e, M. Maggi^b, A. Magnani^z, P.K. Mal^f, K. Mandal^f, A. Marchioro^q, A. Marinov^q, N. Majumdar^t, J.A. Merlin^{q,ag}, G. Mitselmakher^o, A.K. Mohanty^x, A. Mohapatra^w, J. Molnar^j, S. Muhammad^s, S. Mukhopadhyay^t, M. Naimuddin^k, S. Nuzzo^b, E. Oliveri^q, L.M. Pant^x, P. Paolucci^y, I. Park^{af}, G. Passeggio^y, B. Pavlov^{ac}, B. Philipp^a, D. Piccoloⁿ, H. Postema^q, A. Puig Baranac^q, A. Radi^h, R. Radogna^b, G. Raffoneⁿ, A. Ranieri^b, G. Rashevski^{ab}, C. Riccardi^z, M. Rodozov^{ab}, A. Rodrigues^q, L. Ropelewski^q, S. RoyChowdhury^t, G. Ryu^{af}, M.S. Ryu^{af}, A. Safonovⁱ, S. Salva^r, G. Savianoⁿ, A. Sharma^b, A. Sharma^q, R. Sharma^k, A.H. Shah^k, M. Shopova^{ab}, J. Sturdy^l, G. Sultanov^{ab}, S.K. Swain^f, Z. Szillasi^j, J. Talvitie^u, A. Tatarinovⁱ, T. Tuuva^u, M. Tytgat^r, I. Vai^h, M. Van Stenis^q, R. Venditti^b, E. Verhagen^e, P. Verwilligen^b, P. Vitulo^z, S. Volkov^p, A. Vorobyev^p, D. Wang^c, M. Wang^c, U. Yang^{ae}, Y. Yang^e, R. Yonamine^e, N. Zaganidis^r, F. Zenoni^e, A. Zhang^w

^aRWTH Aachen University, III Physikalisches Institut A, Aachen, Germany

^bINFN Bari and University of Bari, Bari, Italy

^cPeking University, Beijing, China

^dINFN Bologna and University of Bologna, Bologna, Italy

^eUniversite Libre de Bruxelles, Brussels, Belgium

^fNational Institute of Science Education and Research, Bhubaneswar

^gInstitute for Particle and Nuclear Physics, Wigner Research Centre for Physics, Hungarian Academy of Sciences, Budapest, Hungary

^hAcademy of Scientific Research and Technology - Egyptian Network of High Energy Physics, ASRT-ENHEP, Cairo, Egypt

ⁱTexas A&M University, College Station, U.S.A.

^jInstitute for Nuclear Research of the Hungarian Academy of Sciences (ATOMKI), Debrecen, Hungary

^kUniversity of Delhi, Delhi, India

^lWayne State University, Detroit, U.S.A

^mTexas A&M University at Qatar, Doha, Qatar

ⁿLaboratori Nazionali di Frascati - INFN, Frascati, Italy

^oUniversity of Florida, Gainesville, U.S.A.

^pPetersburg Nuclear Physics Institute, Gatchina, Russia

^qCERN, Geneva, Switzerland

^rGhent University, Dept. of Physics and Astronomy, Ghent, Belgium

^sNational Center for Physics, Quaid-i-Azam University Campus, Islamabad, Pakistan

^tSaha Institute of Nuclear Physics, Kolkata, India

^uLappeenranta University of Technology, Lappeenranta, Finland

^vUniversity of California, Los Angeles, U.S.A.

^wFlorida Institute of Technology, Melbourne, U.S.A.

^xBhabha Atomic Research Centre, Mumbai, India

^yINFN Napoli, Napoli, Italy

^zINFN Pavia and University of Pavia, Pavia, Italy

^{aa}IRFU CEA-Saclay, Saclay, France

^{ab}Institute for Nuclear Research and Nuclear Energy, Sofia, Bulgaria

^{ac}Sofia University, Sofia, Bulgaria

^{ad}Korea University, Seoul, Korea

^{ae}Seoul National University, Seoul, Korea

^{af}University of Seoul, Seoul, Korea

^{ag}Institut Pluridisciplinaire - Hubert Curien (IPHC), Strasbourg, France

Abstract

In order to cope with the harsh environment expected from the high luminosity LHC, the CMS forward muon system requires an upgrade. The two main challenges expected in this environment are an increase in the trigger rate and increased background radiation leading to a potential degradation of the particle ID performance. Additionally, upgrades to other subdetectors of CMS allow for extended coverage for particle tracking, and adding muon system coverage to this region will further enhance the performance of CMS.

Following an extensive R&D program, CMS has identified triple-foil gas electron multiplier (GEM) detectors as a solution for the first muon station in the region $1.6 < |\eta| < 2.2$, while continuing R&D is ongoing for additional regions.

Keywords: Tracking detectors, GEM, Micro-pattern Gas Detectors, CMS

1. Introduction

One of the core components of the Compact Muon Solenoid (CMS) detector[1], the muon system (Fig. 1) has been designed to provide identification and tracking information on muons produced in pp collisions at the Large Hadron Collider (LHC). Muons feature in many signatures of new physics, and being able to trigger, identify, and obtain an accurate measurement of the muon momentum are critical features of the CMS experimental program.

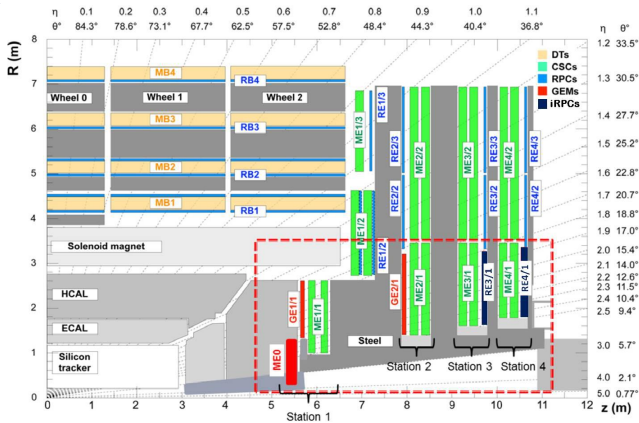


Figure 1: Side view of the CMS detector showing the current locations of the muon systems, and highlighting planned upgrades to the CMS forward muon system

During the first run of the LHC, the muon system was composed of alternating layers of resistive plate chambers (RPCs) and either drift tubes (DTs) in the barrel region ($0 < |\eta| < 0.9$), or cathode strip chambers (CSCs) in the endcap region ($0.9 < |\eta| < 2.4$). The RPC coverage extends only up to $|\eta| < 1.6$, resulting in a lack of redundancy in the forward muon system. One of the primary goals in upgrading the muon system is to recover this redundancy. In addition to this, due to the harsh environment in the forward region resulting from the increase in luminosity during the LHC Phase 2 to $L = 5 \times 10^{-34} \text{ cm}^{-2} \text{ s}^{-1}$, a detector able to maintain the trigger and tracking performance is absolutely critical to the success of the CMS experimental program. Micro-pattern gaseous detectors (MPGDs)[2] are an excellent choice for these requirements and CMS has identified triple-foil gaseous electron multipliers (triple GEMs, Fig. 2) as a preferred solution[3, 4].

Simulation studies have shown (Fig. 3) that coupling the trigger information from the CSCs and GEMs will allow CMS to maintain the muon trigger thresholds by keeping the rate low, compared to what would be the case with only the current system.

2. Overview of the CMS GEM upgrade

During the second LHC long shutdown (LS2) in 2018-2019, CMS will install 36 “superchambers”, two triple GEM detectors sandwiched together, in each GE1/1 endcap station (Fig. 1).

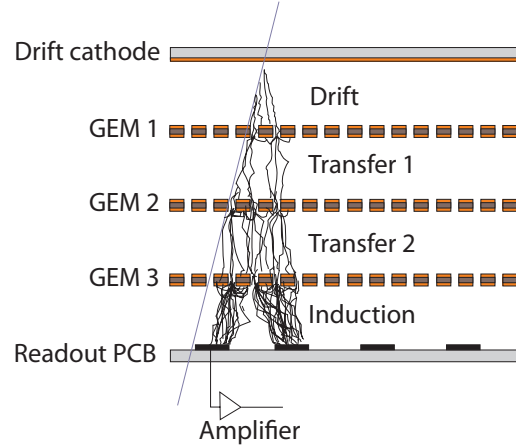


Figure 2: Diagram showing the principle for triple-foil GEM detectors, with the avalanche induced as a muon traverses the detector, from drift, across the three foils, and depositing the signal on the readout

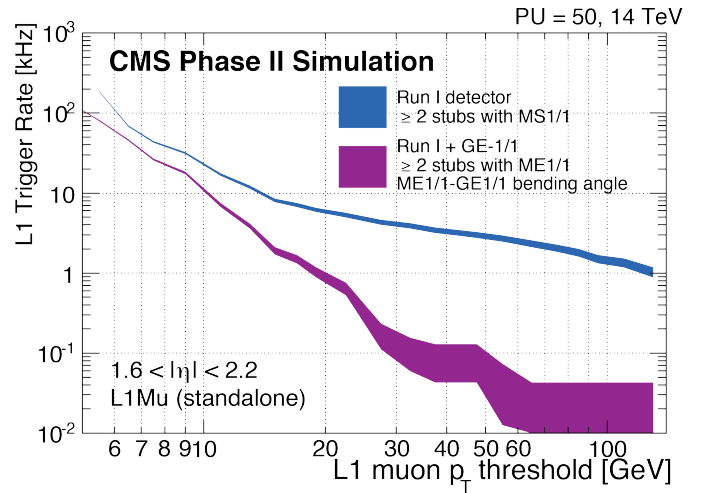


Figure 3: Comparison of the trigger rate as a function of trigger threshold. The blue shows the rate from using two CSC stubs alone, and the purple shows the rate reduction from adding the GEM information

The superchambers will cover the region $1.55 < |\eta| < 2.18$. Each detector is segmented into 3 sectors in ϕ , and 8 sectors in η , with each sector reading out 128 strips having a pitch of 0.5mrad. The trapezoidal detectors measure roughly $1.2\text{m} \times 0.5\text{m}$.

The strips will be read out using a VFAT3 ASIC (Fig. 4) to convert the analog signal to a digital signal for fixed latency triggering as well as full granularity tracking information.

Signals from each VFAT3 are transmitted to the OptoHybrid, a concentrator card located on the detector, from where the tracking data will be sent off detector via optical links to the back-end electronics (Fig. 5). The trigger data will be additionally sent via optical links to the CSC optical trigger motherboard (OTMB) to be used to compute joint CSC-GEM trigger decisions.

Off detector, the system will use μ TCA systems with custom built advanced mezzanine cards (AMCs) for communica-

*Corresponding author: email:sturdy@cern.ch

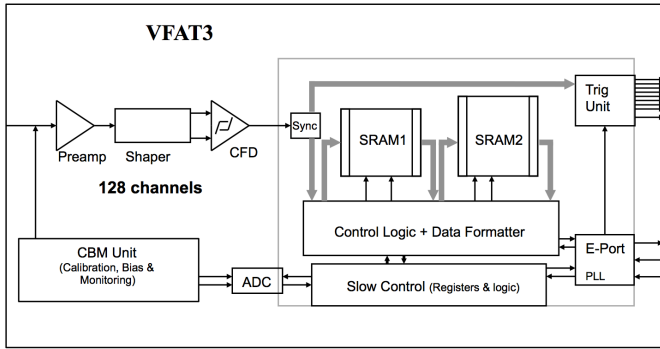


Figure 4: Block diagram of the VFAT3 ASIC logic

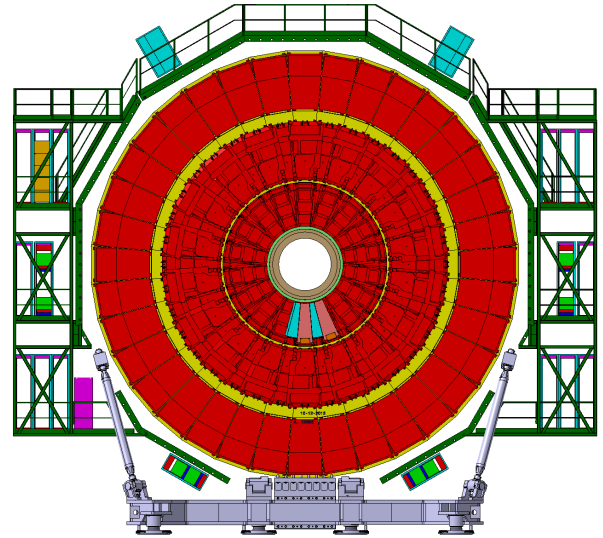


Figure 6: Diagram of the CMS muon endcap first station, showing the location of the 4 GE1/1 superchambers to be installed during the slice test

tion with and slow controls of the front-ends as well as for collecting tracking data and building events to ship to the CMS data acquisition system (DAQ). The back-end will also receive trigger and clock from the CMS DAQ and distribute this information to the front-ends.

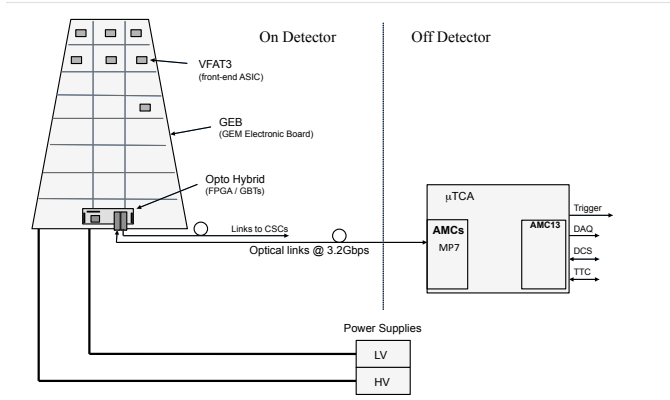


Figure 5: Diagram of the readout system and control systems

performance of the readout electronics. Both narrow muon beams as well as wider, very high rate pion beams have been used to characterize the performance. In the fall 2015 testbeam, undertaken at the CERN SPS H4 beamline, a full GE1/1 superchamber was assembled (Fig. 7) and instrumented with the preliminary version of the electronics for use in the slice test.

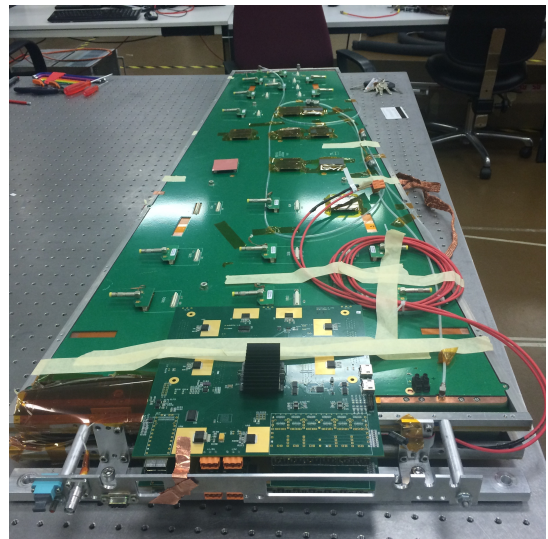


Figure 7: Two GE1/1 detectors assembled as a superchamber for the 2015 test-beam campaign

2.1. Slice test

In preparation for the full installation of the GE1/1 system during LS2, a slice will be installed during the extended year end shutdown in 2016-2017. Taking advantage of planned upgrades to the CMS pixel detector, four superchambers will be installed in the minus side CMS endcap, as shown in figure 6.

The primary purpose will be to begin the commissioning of the full electronics and readout system, integrated into the central CMS environment. The slice test readout system will differ slightly from the full installation, due to ongoing developments in the readout ASIC (VFAT2 vs. VFAT3) and the OptoHybrid, as well as a final choice of back-end AMC.

2.2. Testbeam results

Recent testbeams have focused on measuring the physics performance of the latest generation of GE1/1 detectors, and the

3. Future upgrades

During LS3, prior to the start of the LHC phase II program, further upgrades are planned to extend the muon system coverage up to $|\eta| < 3.0$

3.1. GE2/1

In the second muon station (GE2/1), the use of the baseline triple GEM option presents several challenges. First and foremost is the limited space into which the GE2/1 detectors will be able to fit, given the constraints imposed by the existing CSC ME2/1 detectors, neutron shielding and services (Fig. 8). In addition, due to the much larger size compared with the GE1/1 system, the foils themselves will have to be split into several pieces in order to ensure the uniformity of performance.

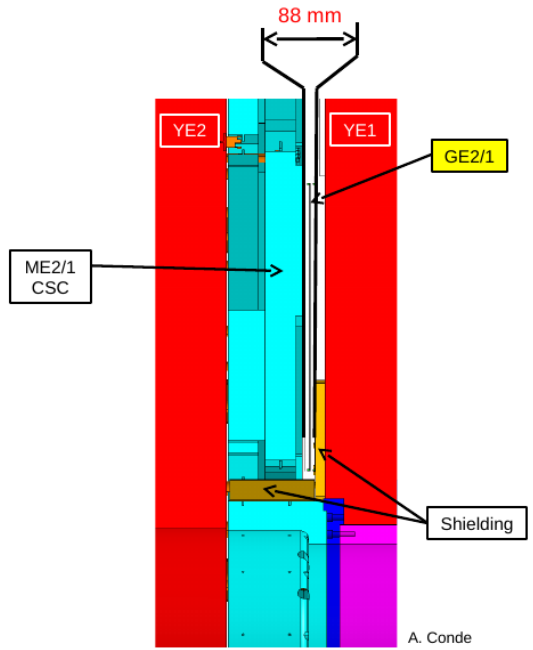


Figure 8: Diagram showing the location of the GE2/1 system, with the space constraints provided by the existing detector (ME2/1), the magnet return yoke (YE2 and YE1) and the currently installed services and shielding

Studies are ongoing to investigate possible solutions to mitigate these issues.

3.2. ME0

Taking advantage of increased coverage in the CMS tracking system, in the region directly behind the calorimeters (Fig. 9) a new muon station is being planned, the ME0 station. Several technologies are being actively investigated, with a baseline of multiple GEM detectors (Fig. 10).

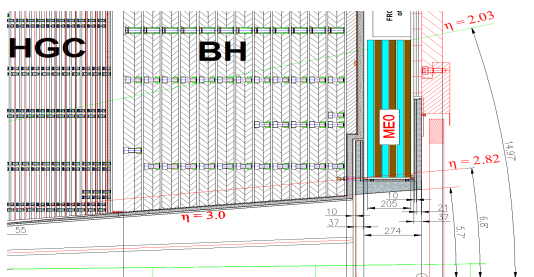


Figure 9: Location of the new ME0 station, behind the upgraded endcap calorimeter

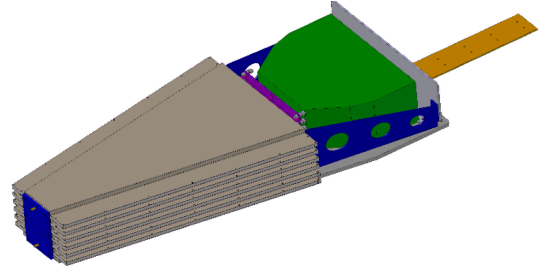


Figure 10: Diagram of the baseline ME0 detector, a module of six GEM detectors

An exciting alternative currently in the R&D phase is the so-called “fast timing micropattern” (FTM) detector, a complete description of which appears in this proceedings[5].

4. Conclusions

Following an extensive R&D program, CMS has chosen to use GEM detectors to maintain the performance of the detector going into the LHC Phase II program. An initial station will be installed during LS2 in the first muon endcap station, with additional installations to take place in LS3 in the second station, as well a new, more forward station behind the upgraded endcap calorimeters. These upgrades will increase the muon triggering and tracking ability to $|\eta| < 3.0$

Acknowledgments

We gratefully acknowledge support from FRS-FNRS (Belgium), FWO-Flanders (Belgium), BSF-MES (Bulgaria), BMBF (Germany), DAE (India), DST (India), INFN (Italy), NRF (Korea), QNRF (Qatar), and DOE (USA).

References

- [1] S. Chatrchyan, et. al., The CMS experiment at the CERN LHC. The Compact Muon Solenoid experiment, *J. Instrum.* 3 (2008) S08004. 361 p, URL <https://cds.cern.ch/record/1129810>, also published by CERN Geneva in 2010.
- [2] R. Bouclier, M. Capéans-Garrido, W. Dominik, M. Hoch, J. C. Labbé, G. Million, L. Ropelewski, F. Sauli, A. Sharma, The gas electron multiplier (GEM) (CERN-PPE-96-177) (1996) 6 p, URL <https://cds.cern.ch/record/316705>.
- [3] A. Colaleo, A. Safonov, A. Sharma, M. Tytgat, CMS TECHNICAL DESIGN REPORT FOR THE MUON ENDCAP GEM UPGRADE, Tech. Rep. CERN-LHCC-2015-012. CMS-TDR-013, CERN, Geneva, URL <https://cds.cern.ch/record/2021453>, 2015.
- [4] J. Butler, D. Contardo, M. Klute, J. Mans, L. Silvestris, Technical Proposal for the Phase-II Upgrade of the CMS Detector, Tech. Rep. CERN-LHCC-2015-010. LHCC-P-008, CERN, Geneva. Geneva, URL <http://cds.cern.ch/record/2020886>, 2015.
- [5] I. Vai, R&D on a new type of micropattern gaseous detector: the Fast Timing Micropattern detector, to appear in proceedings for VCI2016, 2016.