

EuCARD-2

Enhanced European Coordination for Accelerator Research & Development

Newsletter

Accelerating News Issue 14

Szeberenyi, Agnes (CERN)

20 June 2015



The EuCARD-2 Enhanced European Coordination for Accelerator Research & Development project is co-funded by the partners and the European Commission under Capacities 7th Framework Programme, Grant Agreement 312453.

This work is part of EuCARD-2 Work Package 1: **Management and Communication (MANCOM)**.

The electronic version of this EuCARD-2 Publication is available via the EuCARD-2 web site <http://eucard2.web.cern.ch/> or on the CERN Document Server at the following URL:
<<http://cds.cern.ch/search?p=CERN-ACC-NOTE-2016-0036>>

From: [Agnes Szeberenyi](#)
To: [Jennifer Toes](#)
Subject: FW: Accelerating News Issue 14 - June 2015
Date: 15 April 2016 10:50:32
Attachments: [image001.png](#)
[image002.png](#)
[image003.png](#)
[image004.png](#)
[image005.png](#)
[image006.png](#)

From: Agnes Szeberenyi
Sent: 25 June 2015 13:54
To: Acceleratingnews-members (Accelerating news mailing list) <Acceleratingnews-members@cern.ch>
Cc: acceleratingnews-editor (Email for editors of the Accelerating News newsletter) <acceleratingnews-editor@cern.ch>
Subject: Accelerating News Issue 14 - June 2015

Dear Accelerating News Readers

Welcome to issue 14 of Accelerating News (<http://acceleratingnews.eu/>). In this edition, we welcome on board Alexandra from University of Liverpool.

We bring you lots of great stories including:

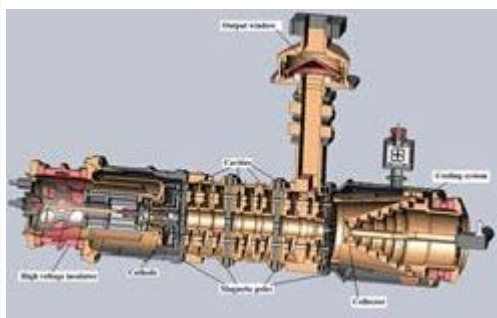
- a breakthrough idea towards 90% efficiency for klystrons
- first hardware for HL-LHC interaction region
- a gender balance roadmap for FCC
- hollow e-lenses for enhanced LHC collimation
- wake field monitoring for FEL
- celebrating the first LHC collisions
- reporting from interesting events, such as the Applications of Particle Accelerators in Europe kick-off

Found something you like? Share it amongst your friends with our email and Twitter buttons at the end of each article. We hope you enjoy it and don't forget to tweet about it using #acceleratingnews.

Best wishes for the holiday season

Accelerating News Editors





Towards 90% power conversion efficiency for klystrons

A novel method to achieve 90% RF power conversion efficiency in klystrons.

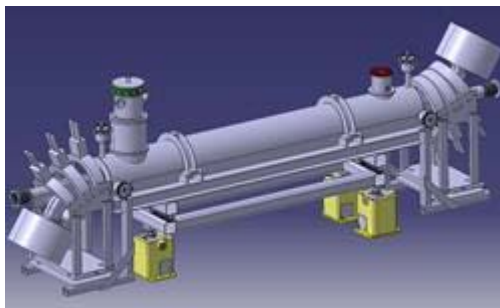
First hardware for HL-LHC interaction region magnets

Testing the first coils of the triplet and of the sextupole corrector.



[A gender balance roadmap for FCC](#)

FCC committed to implement Gender Equality at each stage of the research cycle.



[Hollow electron lenses for enhanced LHC beam collimation](#)

Hollow electron lenses as a promising method to improve the beam collimation system at the LHC.



[Wake field monitoring to improve FEL performance](#)

Wake field monitors to offer a way to diagnose and correct beam degradation.



[Delivering impact of particle accelerators](#)

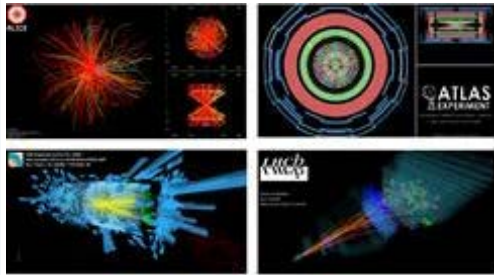
“The Applications of Particle Accelerators in Europe” project initiated by EuCARD-2 kicked-off in mid-June.

[Forging links between industry and](#)



fundamental science

Collaboration between academia and industry will be key to development of novel technologies within FCC.



Celebrating the first LHC collisions

Great success at CERN marks official start of Run 2.



Laser and accelerator communities converge in Mallorca

Workshop and international conference for laser and particle accelerator scientists.

If you wish to unsubscribe from this mailing list, please send an email to acceleratingnews-editor@cern.ch with subject: signoff acceleratingnews