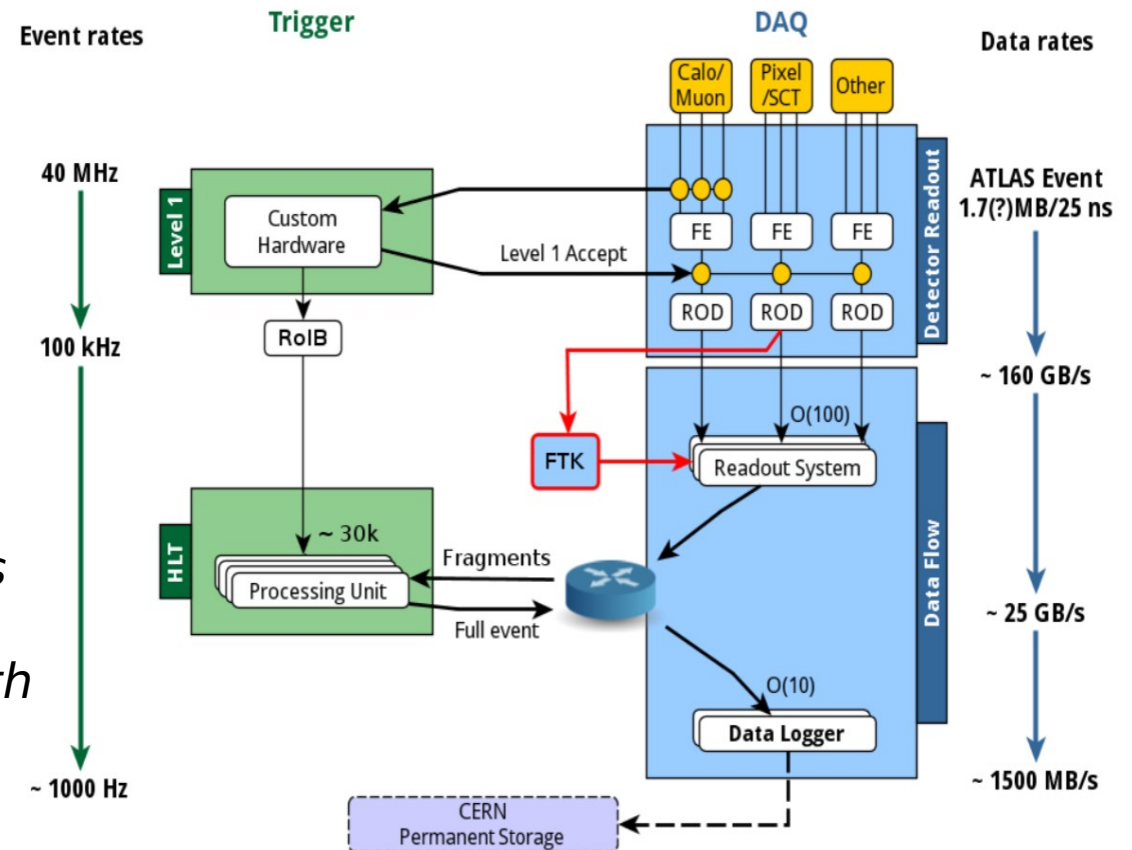


# The readiness of ATLAS Trigger-DAQ system for the second LHC run

Michael Rammensee (CERN) on behalf of the ATLAS collaboration



- Data taking very successful with very high efficiency in Run I !
- In Run 2 improve rejection and keep efficiency.
- *The ATLAS Trigger-DAQ system has undergone a major upgrade between run I and run II to cope with changed conditions of the LHC.*

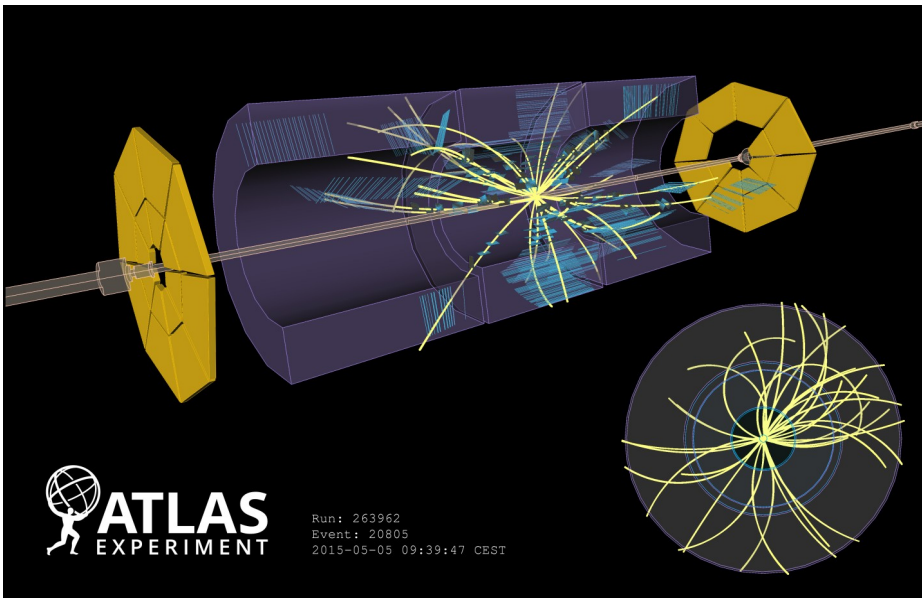
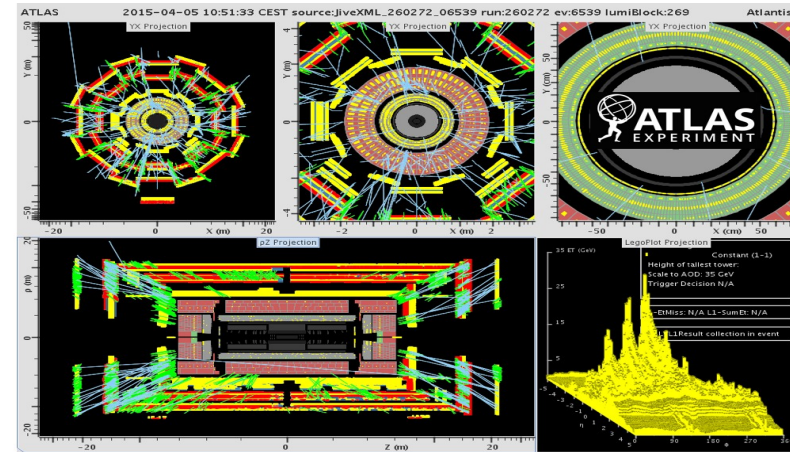


# The readiness of ATLAS Trigger-DAQ system for the second LHC run

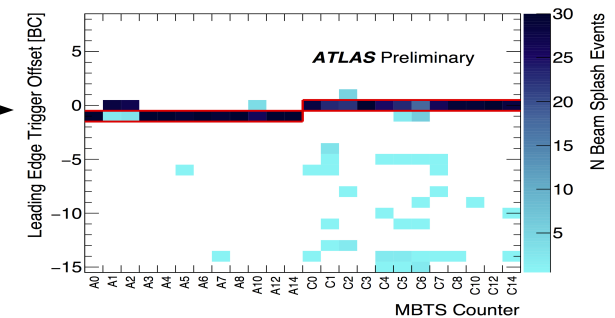
Michael Rammensee (CERN) on behalf of the ATLAS collaboration

## Commissioning and first data taking

- Upgraded TDAQ system was tested continuously with cosmic data between run I and run II
- And recently with first beams, beam splashes and collisions



MBTS beam splash timing



- No bottleneck has been found and ATLAS Trigger-DAQ is ready to tick and record collision data in run II.