

Semantic Communications with Discrete-time Analog Transmission: A PAPR Perspective

Yulin Shao, *Member, IEEE*, Deniz Gündüz, *Fellow, IEEE*

Abstract—Recent progress in deep learning (DL)-based joint source-channel coding (DeepJSCC) has led to a new paradigm of semantic communications. Two salient features of DeepJSCC-based semantic communications are the exploitation of semantic-aware features directly from the source signal, and the discrete-time analog transmission (DTAT) of these features. Compared with traditional digital communications, semantic communications with DeepJSCC provide superior reconstruction performance at the receiver and graceful degradation with diminishing channel quality, but also exhibit a large peak-to-average power ratio (PAPR) in the transmitted signal. An open question has been whether the gains of DeepJSCC come from the additional freedom brought by the high-PAPR continuous-amplitude signal. In this paper, we address this question by exploring three PAPR reduction techniques in the application of image transmission. We confirm that the superior image reconstruction performance of DeepJSCC-based semantic communications can be retained while the transmitted PAPR is suppressed to an acceptable level. This observation is an important step towards the implementation of DeepJSCC in practical semantic communication systems.

Index Terms—Semantic communication, DeepJSCC, discrete-time analog transmission, PAPR.

I. INTRODUCTION

There has been a growing interest in developing new semantic-aware communication systems [1]–[3] via data-driven approaches such as deep learning (DL). Compared with legacy digital communications, DL-enabled semantic communications leverage deep joint source-channel coding (DeepJSCC) [2] and extract semantic-aware and goal-oriented information directly from the source, yielding better source reconstruction.

An important ingredient of DL-enabled wireless communication systems is discrete-time analog transmission (DTAT) [2]–[8]. Specifically, deep neural network (DNN)-based encoder and decoder are capable of exploiting discrete-time continuous amplitude signals, yielding more freedom than discrete constellations. Increasingly more evidence reveals that DTAT contributes a large part to the excellent performance of DL-enabled communication systems. For example, in DL-aided channel coding (where the source is a stream of bits), the gains of neural channel codes almost vanish when the coded symbols are limited to binary inputs, e.g., BPSK [8]. Also, in semantic image transmission, the image reconstruction performance deteriorates significantly when the JSCC-coded symbols are limited to a set of discrete constellations [5] – high-quality reconstruction is possible only when the

constellation size is extremely large, resembling continuous amplitude signals.

The practical use of DTAT, however, faces an important challenge due to the peak-to-average power ratio (PAPR) [9], especially when used in conjunction with the prevailing orthogonal frequency division multiplexing (OFDM) transceiver, which is now adopted in most IEEE standards. PAPR stems from the saturation effect of the power amplifier: a low PAPR of the transmitted signal is desired as the power amplifier can operate more efficiently and the coverage of the transmission is larger. Said in another way, for a given communication range, low-PAPR signals save the transmission power. Thus, PAPR is more critical in the uplink transmission of a mobile communication system since the battery power of mobile users is limited.

Related work: In traditional digital communications, the OFDM signal exhibits a large PAPR since independent quadrature amplitude modulation (QAM)-modulated waveforms are linearly combined. To address this problem, various methods, such as clipping, coding, scrambling, and linear precoding, have been proposed in the literature. We refer readers to [9] for a detailed review. In addition to traditional schemes, DL-based approaches to reducing the PAPR of OFDM signals are proposed in [10]–[12]. Specifically, these works focus on the transmission of independent and identically distributed (i.i.d.) constellations. The OFDM system is modeled and trained in an end-to-end fashion, and the main idea is to incorporate the PAPR into the loss function in addition to the original decoding loss, e.g., bit error rate (BER). In so doing, the DL-based transceiver can learn to generate low-PAPR signals as training progresses.

In DL-aided semantic communications, the coded symbols have continuous amplitude. The PAPR of the transmitted signal after OFDM modulation is even more severe than that in digital communications because both DTAT and OFDM modulation contribute to the high PAPR. Prior works on semantic communications emphasize the decoding or reconstruction performance [2]–[5], while the PAPR performance has been mostly ignored so far. One exception is [6], wherein the authors focused on semantic image transmission with OFDM and investigated the impact of clipping on the image reconstruction performance of the proposed DNN architecture.

It is worth noting that all the works mentioned above evaluate the PAPR using baseband complex symbols directly after OFDM modulation, which does not accurately reflect the PAPR properties of passband real signals after pulse shaping and frequency upshifting.

Contributions: In this paper, we study the PAPR performance of DL-aided semantic communications considering

Y. Shao and D. Gündüz are with the Department of Electrical and Electronic Engineering, Imperial College London, London SW7 2AZ, U.K. (e-mail: {y.shao,d.gunduz}@imperial.ac.uk).

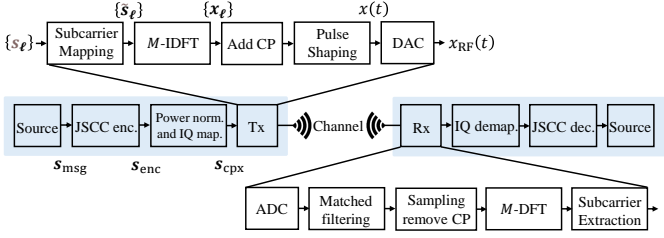


Figure 1. DL-enabled semantic communications with a passband transceiver.

the uplink transmission from mobile users to the base station in cellular networks. The cellular network is operated with orthogonal frequency-division multiple access (OFDMA), where the radio channel is divided into multiple subchannels/subcarriers and each user is allocated with a subset of subcarriers. We develop a passband transceiver for the OFDMA system and – unlike prior works – evaluate the PAPR at the passband. Note that our passband transceiver¹ can be readily incorporated into any other DL-aided communication systems to evaluate the PAPR performance.

We show that there is a trade-off between achieving low-PAPR transmission and high-quality reconstruction. Focusing on the application of semantic image transmission, we investigate three PAPR reduction techniques, i.e., linearly precoded OFDMA, clipping, and PAPR loss, and characterize the trade-off between PAPR and peak signal-to-noise ratio (PSNR) of the reconstructed image by means of the relative operating characteristic (ROC) curve. Simulation results show that, among the three techniques, clipping strikes the best trade-off between PAPR and PSNR, when we implement a differentiable clipping operation and incorporate clipping into the training process. DeepJSCC can then adapt to the inter-carrier interference (ICI) caused by clipping and achieve high PSNR even when the PAPR of the continuous-amplitude signal is suppressed at an acceptable level. In other words, the superior gains of DeepJSCC with DTAT do not rely on the additional freedom brought by the high PAPR.

II. SYSTEM MODEL

We consider the uplink transmission from a mobile user to the base station in an OFDMA cellular network. The radio channel is divided into M subcarriers indexed by $\mathcal{M} = \{1, 2, 3, \dots, M\}$ and the mobile user is allocated with N ($N \leq M$) subcarriers indexed by $\{k_n : k_n \in \mathcal{M}, n = 1, 2, \dots, N\}$. The goal is to deliver a source message – which can be a bitstream, an image, a text, a video, etc. – through the physical wireless channel. The DL-enabled semantic communication system is illustrated in Fig. 1.

At the transmitter, we denote the source message by a vector \mathbf{s}_{msg} of length L_s ; the elements of \mathbf{s}_{msg} can be continuous or discrete. After DeepJSCC encoding, the source message is transformed to a vector of real coded symbols $\mathbf{s}_{\text{enc}} \in \mathcal{R}^{L_e \times 1}$. To align with prior works, we define the system bandwidth ratio as $R \triangleq L_e/2L_s$. Note that when the source message is

a sequence of i.i.d. bits, the DeepJSCC encoder reduces to a deep channel encoder.

The encoded symbols are subject to an average power constraint P . Thus, we normalize \mathbf{s}_{enc} such that the average power of the coded symbols generated from a source message is P , yielding

$$\mathbf{s}_{\text{norm}} = \sqrt{P} \frac{\mathbf{s}_{\text{enc}} - \mathbb{E}[\mathbf{s}_{\text{enc}}]}{\|\mathbf{s}_{\text{enc}} - \mathbb{E}[\mathbf{s}_{\text{enc}}]\|_2}, \quad (1)$$

where $\mathbb{E}[\mathbf{s}_{\text{enc}}]$ is the mean of \mathbf{s}_{enc} and $\|\cdot\|_2$ denotes the L2 norm of a vector. Given the power normalized real vector $\mathbf{s}_{\text{norm}} \in \mathcal{R}^{L_e \times 1}$, we construct a complex vector $\mathbf{s}_{\text{cpx}} \in \mathcal{C}^{L_e/2 \times 1}$, where the real and imaginary components of \mathbf{s}_{cpx} are the odd and even elements of \mathbf{s}_{norm} .

Since the transmitter is allocated with N subcarriers, we partition the complex vector \mathbf{s}_{cpx} into $L = \lceil L_e/2N \rceil$ blocks, denoted by $\{\mathbf{s}_\ell : \ell = 0, 1, 2, \dots, L-1\}$, and each block \mathbf{s}_ℓ consists of N complex symbols. For each block, we map $\mathbf{s}_\ell \in \mathcal{C}^{N \times 1}$ onto the N allocated subcarriers $\{k_1, k_2, k_3, \dots, k_N\}$ and obtain an OFDM symbol by

$$\mathbf{x}_\ell = \mathbf{F}_M^H \tilde{\mathbf{s}}_\ell \quad (2)$$

where $\mathbf{x}_\ell \in \mathcal{C}^{N \times 1}$ is the time-domain samples of the OFDM symbol generated from the ℓ -th block; $\mathbf{F}_M \in \mathcal{C}^{M \times M}$ denotes the M -dimensional discrete Fourier transform (DFT) matrix, hence \mathbf{F}_M^H is the inverse DFT (IDFT) matrix; $\tilde{\mathbf{s}}_\ell \in \mathcal{C}^{M \times 1}$ is a vector of M complex symbols given by

$$\tilde{\mathbf{s}}_\ell[m] = \begin{cases} \mathbf{s}_\ell[n], & \text{if } m = k_n, \\ 0, & \text{otherwise.} \end{cases} \quad (3)$$

Note that the average power of \mathbf{s}_ℓ is $2P$ and the average power of $\tilde{\mathbf{s}}_\ell$ and \mathbf{x}_ℓ is $\frac{2N}{M}P$.

Next, we add cyclic prefix (CP) to the OFDM symbols, yielding $\tilde{\mathbf{x}}_\ell \in \mathcal{C}^{(M+L_{\text{cp}}) \times 1}$, where L_{cp} is the CP length. After pulse shaping, the baseband continuous-time signal can be written as

$$x(t) = \sum_{\ell=0}^{L-1} \sum_{k=0}^{M+L_{\text{cp}}-1} \tilde{\mathbf{x}}_\ell[k] p(t - kT - \ell T_{\text{OFDM}}), \quad (4)$$

in which T is the baseband sampling period (i.e., the baseband baud rate is $1/T$); $T_{\text{OFDM}} = (M+L_{\text{cp}})T$ is the OFDM symbol duration; and $p(t)$ is the root-raised-cosine (RRC) pulse with a roll-off factor β .

Finally, the passband signal can be constructed by

$$x_{\text{RF}}(t) = \text{Re} \{x(t) e^{j2\pi f_c t}\}, \quad (5)$$

where $\text{Re}\{\cdot\}$ denotes the real component of a given signal and f_c is the carrier frequency.

After passing through the wireless channel, the received signal is given by

$$r_{\text{RF}}(t) = h(t) \otimes x_{\text{RF}}(t) + w(t), \quad (6)$$

where $h(t)$ is the real channel response function; \otimes denotes the linear convolution operation; and $w(t)$ is additive white Gaussian noise (AWGN) with a double-sided power spectral density of N_0 . The transmit signal-to-noise ratio (SNR) is defined as $\eta \triangleq P/N_0$. To study the PAPR of DL-enabled

¹Our code is available at <https://github.com/lynshao/SemanticPAPR>.

semantic communications, this paper focuses on the AWGN channel case with $h(t) = 1$. The extensions to fading channels are straightforward.

As shown in Fig. 1, the receiver down converts $r_{\text{RF}}(t)$ to the baseband, matched filters and samples the baseband signal; performs OFDM demodulation, IQ demapping, and DeepJSCC decoding (or deep channel decoding when the source message is a sequence of i.i.d. bits) to recover the transmitted message. Denote by \hat{s}_{msg} the reconstructed source message. The communication system is trained end-to-end to minimize a loss function \mathcal{L} between s_{msg} and \hat{s}_{msg} . Depending on whether s_{msg} is continuous or discrete, typical loss functions are the mean-squared error (MSE) and the cross-entropy loss.

III. PAPR OF DISCRETE-TIME ANALOG TRANSMISSION

Unlike prior works that emphasize message reconstruction performance, this paper focuses on the PAPR perspective of DL-enabled semantic communications with DTAT. In actuality, achieving high reconstruction performance and low PAPR is a trade-off, because a low-PAPR transmitted signal offers a limited degree of freedom for message reconstruction.

DeepJSCC-enabled semantic communications often exhibit much better message reconstruction performance than digital communications [1], [2], but the PAPR of the transmitted signal is also much larger. A natural question that arises is whether the reconstruction gains of DeepJSCC come from the higher-PAPR signal. Said in another way, can the excellent reconstruction performance be retained if the PAPR of the transmitted signal is bounded to levels permissible for practical implementations? Our main objective in this paper is to answer the above questions and characterize the trade-off between the reconstruction performance and the PAPR performance of DeepJSCC with DTAT.

We measure the PAPR performance of a communication system by the PARP of the passband signal $x_{\text{RF}}(t)$:

$$\rho = \frac{\max \|x_{\text{RF}}(t)\|_2^2}{\mathbb{E} [\|x_{\text{RF}}(t)\|_2^2]}. \quad (7)$$

The complementary cumulative distribution function (CCDF) of ρ is defined as $\Pr(\rho > \Gamma)$ for a threshold Γ (i.e., the tail distribution). As a PAPR performance indicator, we shall use the 99.9-percentile PAPR, denoted by Γ_{-3} , where $\Pr(\rho > \Gamma_{-3}) = 10^{-3}$.

A. PAPR Analysis

For a well-trained DeepJSCC-based communication system, the PAPR of the passband signal is non-trivial to derive in general, because it depends on the source message, the channel distribution, and the learning process, which are elusive to characterize analytically. A simple analysis is given below by assuming that the DeepJSCC coded symbols s_{enc} follow i.i.d. Gaussian distributions.

Under this assumption, s_{enc} is a multivariate Gaussian random vector. After power normalization, the vector s_{norm} follows $s_{\text{norm}} \sim \mathcal{N}(\mathbf{0}, P\mathbf{I})$, where $\mathbf{0}$ is an all-zero vector and \mathbf{I} is the identity matrix. After IQ mapping, partition, and subcarrier mapping, each block of complex symbols

$s_{\ell} \sim \mathcal{CN}(\mathbf{0}, 2P\mathbf{I})$ and $\tilde{s}_{\ell} \sim \mathcal{CN}(\mathbf{0}, 2P\mathbf{\Lambda})$, where $\mathbf{\Lambda}$ is an M -dimensional diagonal matrix. In particular, the m -th diagonal element of $\mathbf{\Lambda}$ is 1 if $m \in \{k_1, k_2, k_3, \dots, k_N\}$ and 0 otherwise. After IDFT, the time-domain OFDM samples follow $\mathbf{x}_{\ell} \sim \mathcal{CN}(\mathbf{0}, 2P\mathbf{F}^H\mathbf{\Lambda}\mathbf{F})$. In particular, each element of \mathbf{x}_{ℓ} follows $x_{\ell}[m] \sim \mathcal{CN}(\mathbf{0}, \frac{2N}{M}P)$ and $\|\mathbf{x}_{\ell}[m]\|_2^2 \sim \exp(\frac{M}{2NP})$, $\forall m$. The average power of \mathbf{x}_{ℓ} is $\frac{2N}{M}P$, hence, the PAPR of \mathbf{x}_{ℓ} is given by

$$\rho(\mathbf{x}_{\ell}) = \frac{M}{2NP} \max_m \|\mathbf{x}_{\ell}[m]\|_2^2. \quad (8)$$

The CCDF of $\rho(\mathbf{x}_{\ell})$ can be approximated by

$$\begin{aligned} \Pr(\rho(\mathbf{x}_{\ell}) > \Gamma) &= \Pr\left(\max_m \|\mathbf{x}_{\ell}[m]\|_2^2 > \frac{2NP}{M}\Gamma\right) \\ &\approx 1 - \prod_{m=0}^{M-1} \Pr\left(\|\mathbf{x}_{\ell}[m]\|_2^2 < \frac{2NP}{\kappa_1 M}\Gamma\right) \\ &= 1 - \left(1 - e^{-\frac{\Gamma}{\kappa_1}}\right)^M. \end{aligned} \quad (9)$$

where the approximation comes from the assumption that the elements of \mathbf{x}_{ℓ} are independent, while they are in fact correlated since the covariance of \mathbf{x}_{ℓ} is $2P\mathbf{F}^H\mathbf{\Lambda}\mathbf{F}$. To compensate for the loss of this independent assumption, a hyperparameter κ_1 is introduced. It is worth noting that the independent assumption is valid when $N = M$, since $\mathbf{x}_{\ell} \sim \mathcal{CN}(\mathbf{0}, 2P\mathbf{I})$, in which case we set $\kappa_1 = 1$.

For the passband signal $x_{\text{RF}}(t)$, the CCDF of ρ in (7) can be approximated by that of oversampled baseband signal \mathbf{x}_{ℓ} [13], yielding,

$$\rho \approx 1 - \left(1 - e^{-\frac{\Gamma}{\kappa_1}}\right)^{\kappa_2 M}, \quad (10)$$

where κ_2 is another hyperparameter. Both κ_1 and κ_2 can be found by parametric fitting.

B. PAPR reduction

A low PAPR is essential for achieving high power efficiency at the transmitter. This paper explores three PAPR reduction techniques and characterizes the trade-off between message reconstruction and PAPR with these techniques.

1) *Linearly precoded OFDMA*: In digital communications, an efficient scheme to reduce the PAPR of the transmitted signal without compromising the BER performance is linearly precoded OFDMA (a.k.a., single carrier FDMA) [14], [15], which is standardized in both 4G LTE and 5G NR for uplink low-PAPR transmission.

Linearly-precoded OFDMA generates low-PAPR waveforms by changing the signal modulation and subcarrier allocation schemes. Specifically, with OFDMA, the N allocated subcarriers are randomly distributed over \mathcal{M} and a block of complex symbols $s_{\ell} \in \mathcal{C}^{N \times 1}$ is directly mapped onto the N subcarriers, as explained in Section II. With linearly-precoded OFDMA, on the other hand, we first DFT-precoding s_{ℓ} , yielding

$$s'_{\ell} = \mathbf{F}_N s_{\ell}, \quad (11)$$

and then map the precoded symbols s'_{ℓ} onto the subcarriers. In particular, the N allocated subcarriers are localized (contiguous) or interleaved (evenly-spaced) over the spectrum. With

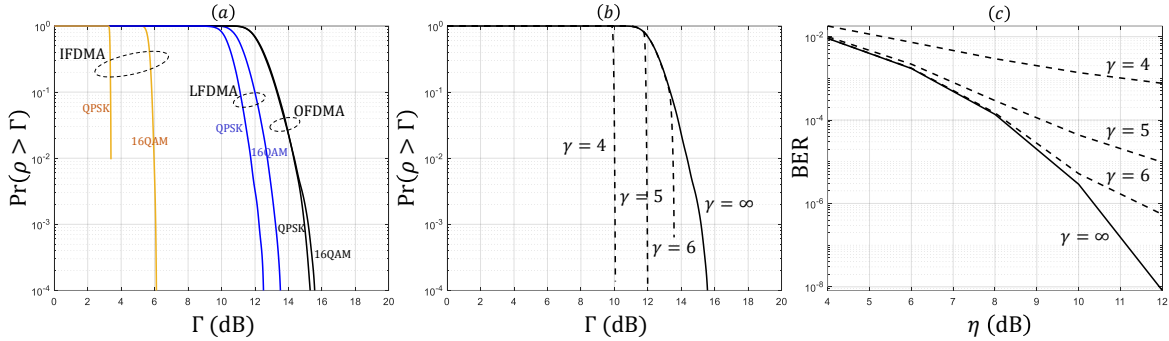


Figure 2. PAPR reduction in digital communications. The system configurations are given in Table I. (a) PAPR performance of linearly precoded OFDMA; (b) PAPR performance with clipping, where the modulation is 16QAM, no channel code is considered, and $\gamma = \infty$ means no clipping. (c) Impact of clipping on the BER performance.

localized and interleaved subcarrier allocations, the corresponding linear precoded OFDMA systems are called LFDMA and IFDMA, respectively.

In digital communications, the BER performances of OFDMA, LFDMA, and IFDMA are exactly the same, but the IFDMA waveform exhibits the lowest PAPR. The reason is as follows. Consider a block of discrete constellations \mathbf{s}_ℓ . After N -DFT precoding, interleaved subcarrier mapping, and M -IDFT modulation, it can be shown that the resulting signal is given by

$$\mathbf{x}_\ell[m] = \frac{N}{M} e^{j \frac{2\pi m}{M}} \mathbf{s}_\ell[m \bmod N], \quad (12)$$

for $m = 0, 1, 2, \dots, M - 1$. That is, \mathbf{x}_ℓ can be constructed directly from \mathbf{s}_ℓ by simple repetition and frequency upshifting. This implies that the IFDMA waveform exhibits nearly the same PAPR properties as the discrete constellations \mathbf{s}_ℓ , and hence, has much lower PAPR than that of LFDMA and OFDMA.

A visual illustration is given in Fig. 2(a), where we simulate a digital communication system with QPSK and 16QAM modulations. As can be seen, with 16QAM, the 99.9-percentile PAPR Γ_{-3} of OFDMA is improved by 2dB and 9 dB with LFDMA and IFDMA, respectively. The performance gains are even larger when lower-order modulations are used. For QPSK, the Γ_{-3} gains of LFDMA and IFDMA over OFDMA are up to 3dB and 11.5dB, respectively.

2) *Clipping*: Clipping the large amplitude of $x_{\text{RF}}(t)$ is a straightforward PAPR reduction scheme [16]. Specifically, let $\bar{x}_{\text{RF}} = \mathbb{E}(|x_{\text{RF}}(t)|)$ be the average amplitude of $x_{\text{RF}}(t)$. We clip $x_{\text{RF}}(t)$ such that the magnitude of the clipped signal does not exceed a threshold $\gamma \bar{x}_{\text{RF}}$, where γ is a clipping ratio measuring the severity of clipping. The clipped signal can be written as

$$x_{\text{clip}}(t) = \begin{cases} x_{\text{RF}}(t), & \text{if } |x_{\text{RF}}(t)| \leq \gamma \bar{x}_{\text{RF}}; \\ \gamma \bar{x}_{\text{RF}}, & \text{if } |x_{\text{RF}}(t)| > \gamma \bar{x}_{\text{RF}}. \end{cases} \quad (13)$$

Fig. 2(b) presents the PAPR reduction performance of clipping in digital OFDMA communication systems, where the modulation is 16QAM and various clipping ratios are considered. As shown, increasingly lower PAPR can be obtained as we decrease γ . When $\gamma = 5$, for example, the 99.9-percentile PAPR is improved by 3.1 dB. Clipping, however, causes both out-of-band radiation and in-band inter-carrier

Table I
HYPERPARAMETER SETTINGS.

	Hyper parameters	Symbols	Values
System	Bandwidth ratio	R	1/12
	Total number of subcarriers	M	128
	Number of allocated subcarriers	N	64
	Length of CP	L_{cp}	16
	Roll-off factor of RRC	β	0.5
	Carrier frequency	f_c	25MHz
	Baseband baud rate	$1/T$	1MHz
	Baseband oversampling rate		10MHz
Learning	Number of training epochs		100
	Batch size		256
	Learning rate		10^{-3}
	Weight decay		5×10^{-3}
	Optimizer		adamW

interference (ICI). The out-of-band radiation can be addressed by filtering according to the spectrum mask. The in-band ICI, on the other hand, leads to an inevitable BER loss since the orthogonality among subcarriers is destroyed. Fig. 2(c) shows the impact of clipping on the BER. When $\gamma = 5$, the BER performance deteriorates for 2.7 dB to achieve a BER of 10^{-5} .

3) *PAPR loss*: Since our goal is to minimize both the reconstruction error and the PAPR of $x_{\text{RF}}(t)$, a natural idea is to add a PAPR loss to the original reconstruction loss [10], and minimizing

$$\mathcal{L}' = \mathcal{L} + \lambda \mathbb{E}[\rho], \quad (14)$$

where λ is a hyperparameter. With this new loss function, the communication system learns to minimize both metrics simultaneously, where λ determines the operating points on the trade-off curve between MSE and PAPR.

IV. SIMULATION RESULTS

A. Transmission of CIFAR10 images

This section analyzes the PAPR performance of DL-enable semantic communications considering the wireless transmission of CIFAR10 images. In this application, the source messages are assumed to be colored images from the CIFAR10 dataset. To retain the spatial feature of images, we denote a source message by a three-dimensional matrix $\mathbf{S}_{\text{msg}} \in \mathcal{R}^{32 \times 32 \times 3}$. If reshaped to a vector $\mathbf{s}_{\text{msg}} \in \mathcal{R}^{L_s \times 1}$ as defined in Section II, we have $L_s = 32 \times 32 \times 3$. The DeepJSCC

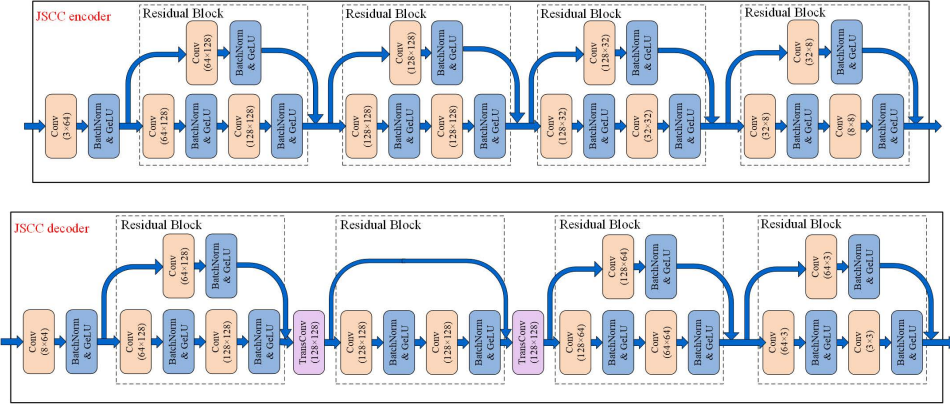


Figure 3. The encoder and decoder architectures for DeepJSCC used for semantic image transmission.

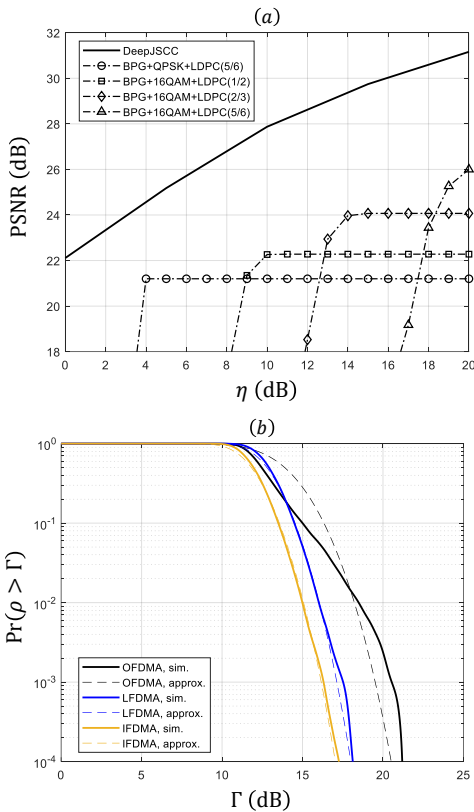


Figure 4. PSNR and PAPR performances of DeepJSCC. (a) PSNR under various SNR η ; (b) CCDF of PAPR for the model trained at $\eta = 10$ dB. The dashed curves are plotted using (10).

encoder is designed to be a residual convolutional neural network (CNN) with convolutional layers, batch normalization (BN) layers, and Gaussian error linear unit (GeLU) activation functions. The detailed network architecture is depicted in Fig. 3. For a given compression ratio R , the source image is transformed to a feature matrix $\mathbf{S}_{\text{enc}} \in \mathcal{R}^{8 \times 8 \times 96R}$ and then reshaped to a vector $\mathbf{s}_{\text{enc}} \in \mathcal{R}^{L_e \times 1}$ with $L_e = 8 \times 8 \times 96R$.

Following the signal flow defined in Section II, we process \mathbf{s}_{enc} by power normalization, IQ mapping, and Tx modulation at the transmitter; Rx demodulation and IQ demapping at the receiver, after which we obtain the noisy feature matrix

$\hat{\mathbf{S}}_{\text{enc}} \in \mathcal{R}^{8 \times 8 \times 96R}$. Then, we feed $\hat{\mathbf{S}}_{\text{enc}}$ into the DeepJSCC decoder to reconstruct the source image $\hat{\mathbf{S}}_{\text{msg}} \in \mathcal{R}^{32 \times 32 \times 3}$. The DeepJSCC decoder is designed to be a residual network with transposed convolutional layers, BN layers, and GeLU activation functions, as depicted in Fig. 3.

The communication goal is image reconstruction and we aim to maximize the PSNR of the reconstructed image:

$$\text{PSNR} = 10 \log \frac{L_s}{\mathbb{E} \|\hat{\mathbf{S}}_{\text{msg}} - \mathbf{S}_{\text{msg}}\|_F^2}, \quad (15)$$

where $\|\cdot\|_F$ denotes the Frobenius norm of a matrix. To this end, the loss function is chosen to be the MSE loss

$$\mathcal{L} = \mathbb{E} \left[\frac{1}{L_s} \|\hat{\mathbf{S}}_{\text{msg}} - \mathbf{S}_{\text{msg}}\|_F^2 \right]. \quad (16)$$

As a baseline, we train the semantic image transmission system with OFDMA in an end-to-end fashion to minimize (16) under various transmit SNRs η from 0 dB to 20 dB. The system and learning configurations are summarized in Table I unless otherwise specified. The PSNR versus η performance is presented in Fig. 4(a), where the benchmarks are the traditional digital communication systems with better portable graphics (BPG) image compression, low-density parity-check code (LDPC) with different rates, and various modulation schemes. As shown, the PSNR of DeepJSCC outperforms that of digital communication. At an SNR of 10 dB, DeepJSCC achieves a PSNR of 27.83, while the best PSNR achieved by digital communication is 22.26.

Let us further evaluate the PAPR performance of both systems. For digital communication, the best PSNR at $\eta = 10$ dB is achieved by BPG, 16QAM, and LDPC with a 1/2 rate, the 99.9-percentile PAPR of which is about 15 dB with OFDMA. On the other hand, the 99.9-percentile PAPR of DeepJSCC is up to 21 dB with OFDMA. This indicates that, despite the excellent PSNR performance, PAPR is a limitation for the practical implementation of DeepJSCC-enabled semantic communication. PAPR reduction techniques must be introduced.

B. DeepJSCC with PAPR reduction

To reduce the PAPR of the continuous-amplitude signal, this section applies the three PAPR reduction techniques discussed

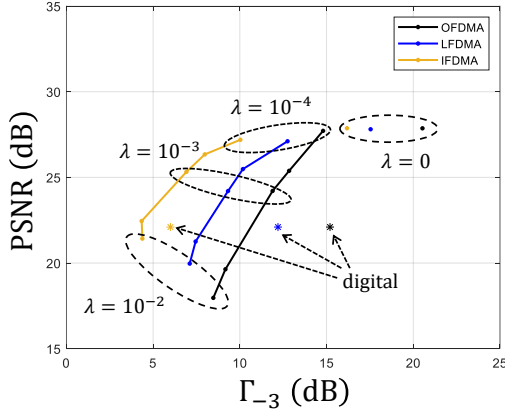


Figure 5. PSNR versus PAPR (Γ_{-3}) of DeepJSCC with PAPR loss.

in Section III-B and studies the PSNR versus PAPR trade-off for DeepJSCC-enabled semantic communications.

1) *Linearly-precoded OFDMA*: We first study the PAPR reduction capability of linearly precoded OFDMA. At an SNR of 10 dB, the CCDF of PAPR is presented in Fig. 4(b). We have two main observations,

- With linearly-precoded OFDMA, the PAPR reduction in DeepJSCC is not as significant as that in digital communication – the 99.9-percentile PAPR of OFDMA is only reduced by 3.5 dB and 4.5 dB with LFDMA and IFDMA, respectively. This observation is not surprising, because DeepJSCC outputs continuous amplitude signals as opposed to discrete constellations.
- With IFDMA, both DeepJSCC and digital communications exhibit the lowest PAPR. The 99.9-percentile PAPR of DeepJSCC is 10.5 dB larger than that of digital communication with 16QAM modulation.

2) *PAPR loss*: To further reduce the PAPR, we introduce an additional PAPR loss to the PSNR loss. The new loss function is given by

$$\mathcal{L}' = \mathbb{E} \left[\frac{1}{L_s} \|\hat{\mathbf{S}}_{\text{msg}} - \mathbf{S}_{\text{msg}}\|_F^2 \right] + \lambda \mathbb{E}[\rho]. \quad (17)$$

With different λ , DeepJSCC can balance PSNR and PAPR. To illustrate the trade-off, we plot the ROC curve in Fig. 5. The ROC space is defined by the 99.9-percentile PAPR Γ_{-3} (in dB) and PSNR (in dB) as the x and y axis. The performance of a DeepJSCC-based semantic communication system can be represented by one point in the ROC space and the best system yields a point in the upper left corner of the space, in which case the PSNR is maximized and the PAPR is minimized.

We have two main observations from Fig. 5.

- With the increase in λ , PAPR weighs more than MSE in (17). As a result, the well-trained DeepJSCC model exhibits lower PAPR but also lower PSNR.
- IFDMA exhibits a better trade-off than LFDMA and OFDMA, thanks to its simpler signal structure at the transmitter. That is, with IFDMA, it is easier to learn a communication system with low PAPR and high PSNR by minimizing (17). When $\lambda = 10^{-4}$, for example, IFDMA, LFDMA, and OFDMA yield almost the same

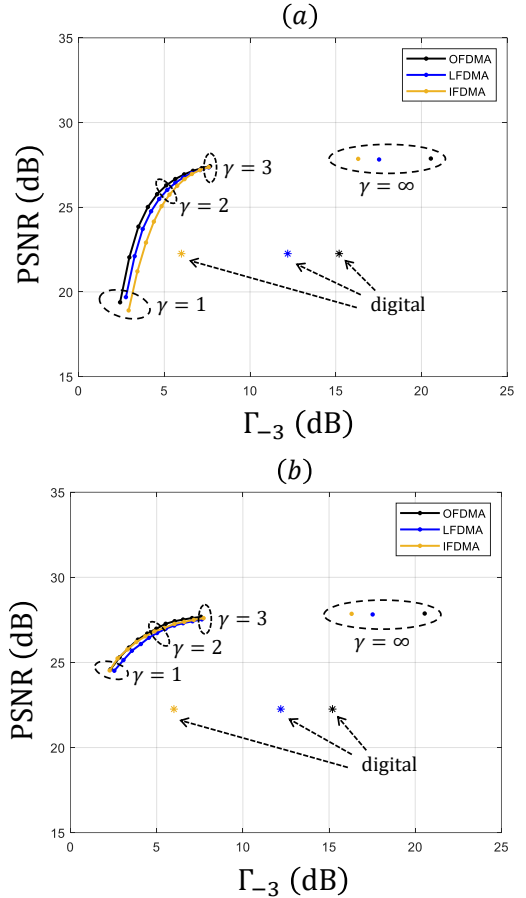


Figure 6. PSNR versus PAPR (Γ_{-3}) of DeepJSCC with clipping: (a) clipping without retraining; (b) clipping with retraining.

PSNR performance, but the 99.9-percentile PAPR of IFDMA is about 2.5 dB and 4.9 dB less than that of LFDMA and OFDMA, respectively.

3) *Clipping*: Finally, we evaluate the performance of clipping when applied to DeepJSCC-based image transmission. Fig. 6(a) characterizes the PSNR and PAPR trade-off when we clip $x_{\text{RF}}(t)$ of a well-trained DeepJSCC encoder according to (13). Note that the signal after clipping has to be re-normalized such that the power of $\tilde{x}_{\text{clip}}(t)$ is the same as that of $x_{\text{RF}}(t)$, that is,

$$\tilde{x}_{\text{clip}}(t) = \sqrt{\frac{x_{\text{RF}}^2(t)}{x_{\text{clip}}^2(t)}} x_{\text{clip}}(t). \quad (18)$$

As shown in Fig. 6(a), clipping can reduce the PAPR by a large margin without compromising too much PSNR performance. When $\gamma = 3$, the 99.9-percentile PAPR of OFDMA is reduced by 13.5 dB, while the PSNR only deteriorates by 0.45 dB. When $\gamma = 2$, the 99.9-percentile PAPR of OFDMA is reduced by 16 dB, while the PSNR only deteriorates by 1.58 dB. In other words, the DeepJSCC decoder is robust to the severe ICI caused by clipping, and a good trade-off between PSNR and PAPR can be achieved.

Moreover, we can incorporate the clipping operation into the training of the communication system and further enhance

the robustness of the trained system to clipping. To this end, we implement a trainable clipping operation by

$$\tilde{x}_{\text{clip}}(t) = x_{\text{RF}}(t) \left(1 - \frac{\text{ReLU}(|x_{\text{RF}}(t)| - \gamma \bar{x}_{\text{RF}})}{|x_{\text{RF}}(t)| + \varepsilon} \right), \quad (19)$$

where $\varepsilon = 10^{-8}$ is a small constant for numerical stability. Fig. 6(b) characterizes the PSNR and PAPR trade-off when clipping is incorporated into the training phase. As shown,

- Compared with Fig. 6(a), DeepJSCC is even more robust to small clipping ratios. When $\gamma = 1$, the 99.9-percentile PAPR of OFDMA is reduced by 18.5 dB, while the PSNR loss is only 3.27 dB.
- There is no remarkable difference between OFDMA and linearly-precoded OFDMA after clipping. Thus, the additional DFT (IDFT) operation at the transmitter (receiver) is unnecessary.
- Suppose the 99.9-percentile PAPR of 16QAM and IFDMA in digital communications is an acceptable PAPR performance, i.e., $\Gamma_{-3} = 6$ dB. With clipping, the PSNR is up to 27.42 when the target 99.9-percentile PAPR is 6 dB.

V. CONCLUSION

DL-based data-driven approaches are playing an increasingly important role in the physical layer of wireless communications, particularly for semantic communications that have received significant research attention. An indispensable part of the DL-aided physical-layer communication system design is DTAT, where DL techniques allow the optimization of encoded signals without being limited to fixed finite signal constellations. DTAT, however, often leads to a high PAPR of the transmitted signal. The significance of this paper is twofold.

- We point out the PAPR problem of DTAT in DL-aided wireless communications and provide a passband transceiver that can be used in other applications to evaluate the PAPR performance.
- We show that the high PAPR of the continuous-amplitude signal obtained by the DeepJSCC encoder in semantic image transmission can be tackled by incorporating clipping into the training process. Our numerical experiments with the CIFAR-10 dataset show that high-quality image reconstruction and low-PAPR transmission can be achieved simultaneously.

REFERENCES

- [1] D. Gündüz, Z. Qin, I. E. Aguerri, H. S. Dhillon, Z. Yang, A. Yener, K. K. Wong, and C.-B. Chae, "Beyond transmitting bits: Context, semantics, and task-oriented communications," *arXiv:2207.09353*, 2022.
- [2] E. Bourtsoulatze, D. B. Kurka, and D. Gündüz, "Deep joint source-channel coding for wireless image transmission," *IEEE Trans. Cognitive Commun. Netw.*, vol. 5, no. 3, pp. 567–579, 2019.
- [3] H. Xie, Z. Qin, G. Y. Li, and B.-H. Juang, "Deep learning enabled semantic communication systems," *IEEE Trans. Signal Proc.*, vol. 69, pp. 2663–2675, 2021.
- [4] H. Wu, Y. Shao, K. Mikołajczyk, and D. Gündüz, "Channel-adaptive wireless image transmission with OFDM," *arXiv:2205.02417*, 2022.
- [5] T.-Y. Tung, D. B. Kurka, M. Jankowski, and D. Gündüz, "DeepJSCC-Q: Constellation constrained deep joint source-channel coding," *arXiv:2206.08100*, 2022.
- [6] M. Yang, C. Bian, and H.-S. Kim, "OFDM-guided deep joint source channel coding for wireless multipath fading channels," *IEEE Trans. Cogn. Commun. Netw.*, 2022.
- [7] Y. Shao, E. Ozfatura, A. Perotti, B. Popovic, and D. Gunduz, "Attention-code: Ultra-reliable feedback codes for short-packet communications," *arXiv:2205.14955*, 2022.
- [8] A. V. Makkuva, X. Liu, M. V. Jamali, H. Mahdaviyar, S. Oh, and P. Viswanath, "KO codes: Inventing nonlinear encoding and decoding for reliable wireless communication via deep-learning," in *International Conference on Machine Learning*. PMLR, 2021, pp. 7368–7378.
- [9] Y. Rahmatallah and S. Mohan, "Peak-to-average power ratio reduction in OFDM systems: A survey and taxonomy," *IEEE communications surveys & tutorials*, vol. 15, no. 4, pp. 1567–1592, 2013.
- [10] M. Kim, W. Lee, and D.-H. Cho, "A novel PAPR reduction scheme for OFDM system based on deep learning," *IEEE Commun. Lett.*, vol. 22, no. 3, pp. 510–513, 2017.
- [11] L. Li, C. Tellambura, and X. Tang, "Improved tone reservation method based on deep learning for PAPR reduction in OFDM system," in *IEEE Int. Conf. Wireless Commun. and Signal Proc.*, 2019.
- [12] M. Goutay, F. A. Aoudia, J. Hoydis, and J.-M. Gorce, "Learning OFDM waveforms with PAPR and ACLR constraints," *arXiv:2110.10987*, 2021.
- [13] R. Van Nee and A. De Wild, "Reducing the peak-to-average power ratio of OFDM," in *IEEE Veh. Tech. Conf.*, vol. 3, 1998, pp. 2072–2076.
- [14] H. G. Myung, J. Lim, and D. J. Goodman, "Single carrier FDMA for uplink wireless transmission," *IEEE Veh. Tech. Mag.*, vol. 1, no. 3, pp. 30–38, 2006.
- [15] Y. Shao and S. C. Liew, "Flexible subcarrier allocation for interleaved frequency division multiple access," *IEEE Trans. Wireless Commun.*, vol. 19, no. 11, pp. 7139–7152, 2020.
- [16] Y.-C. Wang and Z.-Q. Luo, "Optimized iterative clipping and filtering for papr reduction of OFDM signals," *IEEE Trans. Commun.*, vol. 59, no. 1, pp. 33–37, 2010.