

HIGHER-CATEGORICAL COMBINATORICS OF CONFIGURATION SPACES OF EUCLIDEAN SPACE

ANNA CEPEK

ABSTRACT. We examine configurations of finite subsets of manifolds within the homotopy-theoretic context of ∞ -categories by way of stratified spaces. Through these higher categorical means, we identify the homotopy types of such configuration spaces in the case of n -dimensional Euclidean space in terms of the category Θ_n .

CONTENTS

0. Introduction	1
1. Exit-paths in the unital Ran space	7
1.1. $\text{Exit}(\text{Ran}^u(M))$ is an ∞ -category	9
1.2. Statement of main result	12
2. Exit-paths in the Fox-Neuwirth unital Ran space of \mathbb{R}^n	12
2.1. $\text{Exit}(\text{Ran}^u(\mathbb{R}^n))$ is an ∞ -category	16
3. Part 1 of the proof of the main result	25
4. Part 2 of the proof of the main result	33
4.1. Identifying the space of objects of the localization	35
4.2. Identifying the space of morphisms of the localization	39
4.3. The final lemma	49
5. A nonunital version of the main result	52
Appendix A. Stratified spaces	58
A.1. The Fox-Neuwirth cell stratification	59
A.2. The Ran space	62
Appendix B. Exit-path ∞ -categories	63
B.1. Lurie's exit-path ∞ -category	63
B.2. Ayala-Francis-Rozenblyum-Tanaka's exit-path ∞ -category	63
B.3. Motivation for the definitions of our exit-path ∞ -categories	64
Appendix C. The categories Θ_n	65
C.1. The subcategory Θ_n^{act} of active morphisms of Θ_n	67
References	69

0. INTRODUCTION

Configuration spaces (of finite subsets of topological spaces) play fruitful roles across algebraic topology, geometric and differential topology, and applied topology as Knudsen exposit in [19]. For example, the embedding calculus of Goodwillie-Weiss uses them as fundamental building blocks to study differential topology [34, 15]. More basically, the homotopy type of a fixed configuration space often detects subtle topological features of the background manifold. For example, in [20],

2020 *Mathematics Subject Classification*. Primary 55R80. Secondary 57N80, 18F60, 55P60.

Key words and phrases. Configuration spaces. Ran space. Stratified spaces. Exit-path categories. \mathcal{E}_n -algebras. ∞ -categories. Localizations. The Θ_n categories. Wreath product.

This work was supported by NSF award 1507704, IBS-R003-D1 and NSF-RTG grant DMS-2039316.

Salvatore-Longoni identify two homotopy equivalent Lens spaces of distinct homeomorphism type whose configuration spaces of just two points are not homotopy equivalent.

We are motivated by Ayala-Francis’s factorization homology which uses configuration spaces to define manifold invariants within the homotopy-theoretic framework of ∞ -categories [1]. More specifically, motivated by the theory of stratified spaces and exit-path ∞ -categories thereof [21, 5, 3], we codify the homotopy type of configuration spaces of finite subsets of manifolds. Our main result identifies such configuration spaces of n -dimensional Euclidean space \mathbb{R}^n combinatorially in terms of the category Θ_n . Joyal introduced the ‘theta-categories’ Θ_n to present the first model of (∞, n) -categories [16]. This was a direct generalization of his theory of quasi-categories [17] as Θ_1 is defined to be the simplex category Δ . We use Berger’s definition of Θ_n as the n -fold wreath product of Δ with itself [8].

The relationship between configuration spaces of \mathbb{R}^n and the category Θ_n is a natural one as Ayala-Hepworth show in [6] and has a simple idea at its core. With the following discussion, we hope to demonstrate this simple idea before introducing any technical machinery.

0.0.1. *Finite subsets of Euclidean space and trees.* Let S be a finite, nonempty subset of \mathbb{R}^n . Consider a sequence of its projections

$$S \twoheadrightarrow S_{n-1} \twoheadrightarrow \cdots \twoheadrightarrow S_1$$

where S_{n-i} is the finite subset of \mathbb{R}^{n-i} obtained by projecting off the last i coordinates of S for each $1 \leq i \leq n-1$, and each surjection is induced by the projection map $\mathbb{R}^{n-i+1} \twoheadrightarrow \mathbb{R}^{n-i}$. Consider the following two observations about S :

- *Linear order on S_1 :* The projection of S onto its set of first coordinates S_1 is a subset of \mathbb{R} and therefore inherits a linear order from \mathbb{R} equipped with the standard linear order.
- *Linear order on each fiber:* For each point $s \in S_{n-i}$, its fiber in S_{n-i+1} naturally inherits a linear order from \mathbb{R} . Indeed, it is a subset of the fiber over s of the projection map $\mathbb{R}^{n-i+1} \twoheadrightarrow \mathbb{R}^{n-i}$ which canonically identifies with \mathbb{R} .

We call this linear ordering on the set of first coordinates of S and each fiber of its projections an *n-order* on S . More generally, an *n-ordering* of a finite set S is a sequence of surjective maps

$$S \xrightarrow{\sigma_{n-1}} S_{n-1} \rightarrow \cdots \xrightarrow{\sigma_1} S_1$$

among finite sets together with a linear order on S_1 and a linear order on each fiber of each map in the sequence, namely, for each $1 \leq i \leq n-1$, a linear order on $\sigma_i^{-1}(s)$ for each $s \in S_i$. A 1-ordered set S , then, is just a linearly ordered set.

It is not hard to see that finite n -ordered sets are combinatorially codified by the following type of trees.

Definition 0.0.1 (Defs. 1 & 2, [6]). The following compile to define *planar level rooted trees*.

- (1) A *level tree* is a finite, rooted tree, the *root* of which is a choice of vertex thereof. The choice of root uniquely determines a direction to each edge such that there is a unique directed path from each vertex to the root.
- (2) For each vertex, we may equip the set of edges directed toward the vertex with a linear order. A tree is called a *planar level tree* if such an order is specified with respect to each vertex.
- (3) A vertex is at *level i* if the directed path from the vertex to the root counts i edges.
- (4) A tree has *height n* if the maximum level of all the vertices is n .
- (5) A vertex is a *leaf* if it has no edges directed towards it.
- (6) A planar level tree of height n is *healthy* if all of its leaves are at level n . Otherwise, it is *unhealthy*.

We will say *tree* to mean planar level rooted tree.

The following are depictions of trees, where the root is at the bottom of each diagram; on the left, T_1 is a healthy tree of height one, in the middle, T_2 and T_2' are healthy trees of height two, and on the far right, T_2^{uh} is an unhealthy tree of height two.



FIGURE 1

A healthy tree T of height n encodes an n -order on its set of leaves as follows. The i th set of the sequence is the set of vertices at level i . The assignment from the set of vertices at level i to the set of vertices at level $i - 1$ is canonical, given by assigning to each vertex at level i the vertex at level $i - 1$ that is adjacent to it. Such a sequence of maps is surjective precisely because T is healthy. The *planar* condition (2) of Definition 0.0.1 fixes the set of incoming edges of each vertex with a linear order; this condition induces a linear order on each fiber in the sequence and on the set of vertices at level 1. As a convention, we will fix these linear orders to be read from left to right on trees.

A natural assignment from the set of finite, nonempty subsets of \mathbb{R}^n to the set of healthy trees of height n is given by the n -order. Namely, each set is assigned to the tree that encodes its n -order. Although this assignment is not particularly strong in the setting of sets (it is not even injective), it shines in the setting of topological spaces. In [6], Ayala-Hepworth show that this assignment is a homotopy equivalence. The set of finite subsets of \mathbb{R}^n is naturally upgraded to the configuration space of k ordered points in \mathbb{R}^n . On the other hand, planar level trees depict the objects of Joyal's Θ_n categories (Def. C.0.15) as the authors show, and they codify these categories as topological spaces by taking their classifying spaces. The reason this assignment strengthens to a homotopy equivalence in the context of topological spaces is that the Fox-Neuwirth cells of the configuration space of \mathbb{R}^n [12], which are determined by n -orders, are contractible [13] and form a partially ordered set.

Main results. In this paper, we examine the natural assignment between finite subsets of \mathbb{R}^n and planar level trees in the context of ∞ -categories, and our main result articulates the sense in which it is an equivalence. Motivated by the theory of stratified spaces and exit-path ∞ -categories thereof [21, 5, 3], we introduce an ∞ -category $\text{Exit}(\text{Ran}^u(\mathbb{R}^n))$ which codifies the homotopy type of all the finite unordered configurations of points in \mathbb{R}^n at once, including the empty set. It also codifies the maps between the configuration spaces of different cardinalities by witnessing anticollision and vanishing of points, but not collision (Def. 1.0.4). Within this framework, the relationship between configuration spaces of \mathbb{R}^n and the category Θ_n is most naturally phrased as a localization of ∞ -categories. Heuristically, this means that upon formally inverting certain morphisms of (a subcategory of) Θ_n we obtain our ∞ -category of configurations of points in \mathbb{R}^n . We articulate an introductory version of our main result as follows.

Theorem 0.0.2 (Thm. 1.2.1). *For each $n \geq 1$, there is a localization of ∞ -categories*

$$(1) \quad \Theta_n^{\text{act}} \longrightarrow \text{Exit}(\text{Ran}^u(\mathbb{R}^n))$$

from the subcategory of Θ_n consisting of active morphisms (Def. C.1.3) to the exit-path ∞ -category of the unital Ran space of \mathbb{R}^n .

Our main result is an enhancement of [6] because the subset of \mathbb{R}^n of cardinality zero is included, leading to a much larger and better-behaved equivalence. For example, the source of (1), Θ_n^{act} , decomposes as a wreath product because it has the empty tree (the tree of height 0), and all of the morphisms that come along with that, namely all of the active morphisms. However, without the unit the resulting subcategory, Θ_n^{exit} (Def. 5.0.2), does not decompose as a wreath product.

As a corollary to Theorem 0.0.2, we recover the infinity-categorical generalization of [6], yielding all of Ayala-Hepworth's homotopy equivalences (as cardinality varies) at once, in the unordered setting. The configuration space of k points in \mathbb{R}^n is upgraded to an ∞ -subcategory of $\text{Exit}(\text{Ran}^u(\mathbb{R}^n))$

denoted $\text{Exit}(\text{Ran}(\mathbb{R}^n))$ whose objects are *nonempty* finite subsets of \mathbb{R}^n , and whose morphisms may witness anticollision of points, but neither collision, nor the vanishing of points (Def. 1.0.10). In other words, this corollary is the nonunital version of Theorem 0.0.2.

Corollary 0.0.3 (Cor. 5.0.3). *For each $n \geq 1$, there is a localization of ∞ -categories*

$$\Theta_n^{\text{exit}} \longrightarrow \text{Exit}(\text{Ran}(\mathbb{R}^n))$$

from the subcategory of Θ_n consisting of healthy trees and exiting morphisms to the exit-path ∞ -category of the Ran space of \mathbb{R}^n .

An immediate consequence of Theorem 0.0.2 is that the wreath product decomposition of Θ_2^{act} induces a likewise decomposition of $\text{Exit}(\text{Ran}^u(\mathbb{R}^2))$.

Corollary 0.0.4 (Cor. 4.3.3). *There is a localization of ∞ -categories*

$$\text{Exit}(\text{Ran}^u(\mathbb{R})) \wr \text{Exit}(\text{Ran}^u(\mathbb{R})) \longrightarrow \text{Exit}(\text{Ran}^u(\mathbb{R}^2)).$$

Approach. In [3], the authors define an ‘exit-path ∞ -category’ functor which takes in a (nice) stratified space and outputs an ∞ -category whose objects are points of the input space and whose morphisms are ‘exit’ paths in the space; see §B.2 for more details. Because the output ∞ -categories of this construction are akin to our main ∞ -category $\text{Exit}(\text{Ran}^u(\mathbb{R}^n))$, our approach to the proof of Theorem 0.0.2 is motivated by their result that the exit-path ∞ -category functor carries *refinements* of stratified spaces (Def. 1.1.4) to *localizations* (Def. 4.0.1) of their exit-path ∞ -categories (Thm. 3.3.12, [3]). However, for technical reasons, our exit-path ∞ -category $\text{Exit}(\text{Ran}^u(\mathbb{R}^n))$ does not have a stratified space in the background; see §B.3.1 for more details. Therefore, we directly construct an ∞ -category $\text{Exit}(\text{Ran}^u(\mathbb{R}^n))$ (Def. 2.0.2) to interpolate between Θ_n^{act} and $\text{Exit}(\text{Ran}^u(\mathbb{R}^n))$. Its construction is motivated by a (nonexisting) stratification of the unital Ran space of \mathbb{R}^n by cardinality and the Fox-Neuwirth cells (§A.2.3); see §B.3.3 for more details. We show that Θ_n^{act} is equivalent to $\text{Exit}(\text{Ran}^u(\mathbb{R}^n))$, and then prove that $\text{Exit}(\text{Ran}^u(\mathbb{R}^n))$ localizes to $\text{Exit}(\text{Ran}^u(\mathbb{R}^n))$. Key to our approach for proving the localization is Theorem 4.0.7 of [24] which gives a method for identifying localizations in favorable cases.

Much of the proof of Corollary 0.0.3 is extrapolated from the proof of Theorem 0.0.2. Indeed, both the domain Θ_n^{exit} and codomain $\text{Exit}(\text{Ran}(\mathbb{R}^n))$ are ∞ -subcategories (respectively) of the domain Θ_n^{act} and codomain $\text{Exit}(\text{Ran}^u(\mathbb{R}^n))$ of Theorem 0.0.2.

Motivation and conjectures. The main advantage of codifying [6] in a higher-categorical framework is that it yields a direct connection between \mathcal{E}_n -algebras and (∞, n) -categories as Ayala-Hepworth suggest in [6]. In particular, our work gives an approximation to the folklore conjecture that relates \mathcal{E}_n -algebras to (∞, n) -categories. Since we have not found this conjecture explicitly stated anywhere, we will articulate it here. Let \mathcal{V} be a symmetric monoidal ∞ -category. Consider the ∞ -category $\text{Alg}_{\mathcal{E}_n}(\mathcal{V})$ of \mathcal{E}_n -algebras in \mathcal{V} . Consider the ∞ -category $\text{Cat}_{(\infty, n)}(\mathcal{V})$ of \mathcal{V} -enriched (∞, n) -categories. Consider the object $\underline{\mathbb{1}} \in \text{Cat}_{(\infty, n)}(\mathcal{V})$ whose underlying $(\infty, n-1)$ -category $\underline{\mathbb{1}}_{<n} \simeq *$ is terminal, and whose $n\text{End}_{\underline{\mathbb{1}}}(*) = \underline{\mathbb{1}} \in \mathcal{V}$.

Say a morphism $\mathcal{A} \xrightarrow{F} \mathcal{B}$ between (∞, n) -categories is *n-connected* if, for each $0 \leq k \leq n$, each diagram among (∞, n) -categories

$$\begin{array}{ccc} \partial c_k & \longrightarrow & \mathcal{A} \\ \downarrow & \nearrow & \downarrow F \\ c_k & \longrightarrow & \mathcal{B} \end{array}$$

admits a filler. Here, c_k is the (∞, n) -category corepresenting the space of k -morphisms, and $\partial c_k \rightarrow c_k$ is the inclusion of its maximal $(\infty, k-1)$ -subcategory.

Conjecture 0.0.5. *Let \mathcal{V} be a symmetric monoidal ∞ -category. There is a fully faithful left adjoint*

$$\mathfrak{B}^n : \text{Alg}_{\mathcal{E}_n}(\mathcal{V}) \longrightarrow \text{Cat}_{(\infty, n)}(\mathcal{V})^{\underline{\mathbb{1}} /} ;$$

the image consists of those morphisms $\mathbb{I} \rightarrow \mathcal{C}$ between \mathcal{V} -enriched (∞, n) -categories whose underlying morphism $* \rightarrow \mathcal{C}_{<n}$ between $(\infty, n-1)$ -categories is $(n-1)$ -connected.

If we specialize to the case that $(\mathcal{V}, \otimes) = (\mathcal{S}\text{paces}, \times)$, our results Theorem 0.0.2 and Corollary 0.0.3 give an approximation to this conjecture. Let us review some key results from the literature before we explain how.

The collection of unordered configuration spaces of finite subsets of \mathbb{R}^n exhibit the algebraic structure of the \mathcal{E}_n -operad. Lurie identifies this relationship as a fully faithful embedding

$$\text{Alg}_{\mathcal{E}_n}(\mathcal{S}\text{paces}) \hookrightarrow \text{coShv}_{\mathcal{S}\text{paces}}^{\text{cbl}}(\text{Ran}(\mathbb{R}^n))$$

from \mathcal{E}_n -algebras valued in spaces to constructible cosheaves (locally constant on each stratum) on the Ran space of \mathbb{R}^n (Thm. 5.5.4.10, [21]).

Corollary 3.3.11 of [3] yields an equivalence of ∞ -categories

$$\text{Shv}_{\mathcal{S}\text{paces}}^{\text{cbl}}(\text{Ran}(\mathbb{R}^n)) \simeq \text{Fun}(\text{Exit}(\text{Ran}(\mathbb{R}^n)), \mathcal{S}\text{paces})$$

between space-valued constructible sheaves on $\text{Ran}(\mathbb{R}^n)$ and space-valued functors on $\text{Exit}(\text{Ran}(\mathbb{R}^n))$. Thus, there is a fully faithful embedding

$$\text{Alg}_{\mathcal{E}_n}(\mathcal{S}\text{paces}) \hookrightarrow \text{Fun}(\text{Exit}(\text{Ran}(\mathbb{R}^n))^{\text{op}}, \mathcal{S}\text{paces}).$$

We conjecture that this functor factors through space-valued functors on $\text{Exit}(\text{Ran}^u(\mathbb{R}^n))^{\text{op}}$ as an equivalence of ∞ -categories.

Lastly, Theorem 0.0.2 and Corollary 0.0.3 induce fully faithful functors from space-valued functors on $\text{Exit}(\text{Ran}^u(\mathbb{R}^n))^{\text{op}}$ and $\text{Exit}(\text{Ran}(\mathbb{R}^n))^{\text{op}}$ respectively, to space-valued functors out of the appropriate subcategories of Θ_n . These functors fit into the following diagram as indicated.

$$(2) \quad \begin{array}{ccc} \text{Alg}_{\mathcal{E}_n}(\mathcal{S}\text{paces}) & \overset{\mathfrak{B}^n}{\dashrightarrow} & \text{Cat}_{(\infty, n)}(\mathcal{S}\text{paces})^{\mathbb{1}/} \\ & \text{fully faithful} & \downarrow \text{forget (fully faithful, by def)} \\ \text{Fun}(\text{Exit}(\text{Ran}^u(\mathbb{R}^n))^{\text{op}}, \mathcal{S}\text{paces}) & \overset{\text{Thm. 0.0.2}}{\xrightarrow{\text{fully faithful}}} & \text{Fun}((\Theta_n^{\text{act}})^{\text{op}}, \mathcal{S}\text{paces}) \\ \downarrow \text{forget} & & \downarrow \text{forget} \\ \text{Fun}(\text{Exit}(\text{Ran}(\mathbb{R}^n))^{\text{op}}, \mathcal{S}\text{paces}) & \overset{\text{Cor. 0.0.3}}{\xrightarrow{\text{fully faithful}}} & \text{Fun}((\Theta_n^{\text{exit}})^{\text{op}}, \mathcal{S}\text{paces}) \\ \downarrow \simeq & & \\ \text{coShv}_{\mathcal{S}\text{paces}}(\text{Ran}(\mathbb{R}^n)) & & \end{array}$$

Our paper is also motivated by Dwyer-Hess-Knudsen's decomposition of the configuration space of a product of parallelizable manifolds into the factors according to the Boardman-Vogt tensor product [11]. Indeed, Corollary 0.0.4 is a closely related decomposition and we conjecture two natural generalizations of it.

Conjecture 0.0.6. For $n \geq 2$, there is a localization of ∞ -categories

$$\text{Exit}(\text{Ran}^u(\mathbb{R})) \wr \text{Exit}(\text{Ran}^u(\mathbb{R}^{n-1})) \longrightarrow \text{Exit}(\text{Ran}^u(\mathbb{R}^n)).$$

Conjecture 0.0.7. For connected, parallelizable manifolds M and N there is a localization of ∞ -categories

$$\text{Exit}(\text{Ran}^u(M)) \wr \text{Exit}(\text{Ran}^u(N)) \longrightarrow \text{Exit}(\text{Ran}^u(M \times N)).$$

Remark 0.0.8. The ∞ -category $\text{Exit}(\text{Ran}(\mathbb{R}^n))$ does not admit a wreath product decomposition because the subcategory Θ_n^{exit} does not admit a wreath product decomposition.

Use of ∞ -categories. In this paper, we use $(\infty, 1)$ -categories, or simply, ‘ ∞ -categories’, to package the homotopy type of configuration spaces. There are many models for ∞ -categories; notable for the scope of this paper is the work of Lurie in [21] on the theory of *quasi-categories* and the work of Rezk in [29] on the theory of *complete Segal spaces*.

Quasi-categories: We use Joyal’s quasi-category model of ∞ -categories from [17], wherein a quasi-category is defined to be a *simplicial set*, that is, a functor from the opposite of the simplex category Δ^{op} (Def. C.0.1) to the category of sets, Set , that satisfies a certain condition called the *inner-horn filling condition*. For the definition of this condition, together with other basic notions regarding quasi-categories see Rezk’s friendly exposition [30].

Complete Segal spaces: We use Rezk’s complete Segal spaces to model ∞ -categories [29]. The ∞ -category of spaces \mathbf{Spaces} is the localization of the category of topological spaces that admit a CW structure and continuous maps thereof, localized on (weak) homotopy equivalences. We call its objects *spaces*, i.e., CW complexes. A complete Segal space is a *simplicial space*, that is, a functor from the opposite of the simplex category Δ^{op} to the ∞ -category of spaces \mathbf{Spaces} that satisfies the *completeness* and *Segal* conditions (Def. 1.1.1). We refer to a point in the $[p]$ -space of such a functor as a $[p]$ -point. For any additional information about complete Segal spaces, see [29].

The nerve functor: There is a construction which takes an ordinary category \mathcal{C} and produces an ∞ -category $\mathcal{N}\mathcal{C}$ called the (ordinary) *nerve* of \mathcal{C} . This construction is explicated by a fully faithful functor from the category of categories to the category of simplicial sets, through which each category is carried to a quasi-category. In light of the fully faithfulness of this functor, we refer to an ordinary category as an ∞ -category without any reference to its nerve, whenever appropriate within the context. For a definition of the nerve, see Definition 3.1 in [30].

Model independence: In this paper, we work model independently, which, by the work of Joyal and Tierney, is a valid approach, since quasi-categories are shown to be equivalent to complete Segal spaces [18]. Model independence is exercised in this paper, for example, in that the hom- ∞ -groupoid with fixed source and target of a quasi-category is equivalent to a space (i.e., CW complex) by way of the equivalence between quasi-categories and complete Segal spaces. Throughout this work, we are liberal with our use of model independence and typically do not give forewarning of its implementation. Additionally, we frequently construct ∞ -categories by taking finite limits of ∞ -categories, an allowable maneuver precisely because the category of complete Segal spaces (or any other equivalent model) admits all finite limits and colimits [31].

Linear overview. §1: We introduce the main character of this work, the ∞ -category $\text{Exit}(\text{Ran}^u(M))$, to encode the configuration spaces of finite, possibly empty subsets of M . After defining it as a simplicial space, we prove that it is a complete Segal space by identifying it as one derived through formal constructions among complete Segal spaces from the ∞ -category of constructible bundles from [3]. Along the way we define the ∞ -subcategory $\text{Exit}(\text{Ran}(M))$ and show that consequently, it, too, is a complete Segal space. We conclude this section by restating our main result in its full generality as Theorem 1.2.1, which states that Θ_n^{act} localizes to $\text{Exit}(\text{Ran}^u(\mathbb{R}^n))$ over the (opposite) category of finite sets.

§2: We introduce the ∞ -category $\text{Exit}(\text{Ran}^u(\mathbb{R}^n))$ to interpolate between Θ_n^{act} and $\text{Exit}(\text{Ran}^u(\mathbb{R}^n))$. It encodes the configuration spaces of finite, possibly empty subsets of \mathbb{R}^n each stratified by its Fox-Neuwirth cell decomposition. We show that it is a complete Segal space using techniques similar to those in §1.

§3: This section is the first step toward proving Theorem 1.2.1. We prove that the ∞ -category $\text{Exit}(\text{Ran}^u(\mathbb{R}^n))$ is equivalent to the category Θ_n^{act} over the (opposite) category of finite sets. We construct the functor inductively and show that it is essentially surjective and fully faithful by induction.

§4: This section is the second and final step towards the proof of Theorem 1.2.1 and is the technical heart of our result. We show that the natural forgetful functor from $\text{Exit}(\text{Ran}^u(\mathbb{R}^n))$ to $\text{Exit}(\text{Ran}^u(\mathbb{R}^n))$ is a localization over the (opposite) category of finite sets. It localizes on all those morphisms that induce bijections between their underlying finite sets, namely, all those morphisms

that get sent to isomorphism in $\text{Exit}(\text{Ran}^u(\mathbb{R}^n))$. Our argument is built around Theorem 4.0.7 from [24], which identifies localizations of ∞ -categories in favorable cases. We implement Theorem 4.0.7 by proving two lemmas, the first of which holds the technical heart of the paper. Central to the first lemma is that the unordered configuration space $\text{Conf}_r(\mathbb{R}^n)_{\Sigma_r}$ stratified by its Fox-Neuwirth cell decomposition is conically smooth (Cor. B.2.4). This result allows us to apply Ayala-Francis-Tanaka-Rozenblyum’s exit-path ∞ -category functor from [5, 3] to $\text{Conf}_r(\mathbb{R}^n)_{\Sigma_r}$. The main advantage in employing their exit-path functor is that we gain hands-on access to the background stratified space, namely, the configuration space $\text{Conf}_r(\mathbb{R}^n)_{\Sigma_r}$, which allows us to run some key homotopy equivalences. Note that we do not have this luxury with our main two exit-path ∞ -categories $\text{Exit}(\text{Ran}^u(M))$ and $\text{Exit}(\text{Ran}^u(\mathbb{R}^n))$ as they technically do not have stratified spaces underlying them.

§5: This section is devoted proving Corollary 0.0.3 which is the nonunital version of Theorem 1.2.1. Our method of proof mainly extrapolates the proof of Theorem 1.2.1, in that it too is built from Theorem 4.0.7 of [24].

§A: We review the notions of topologically and Whitney stratified spaces. We develop two key examples of stratified spaces. The first is the configuration space of points in \mathbb{R}^n labeled by a set A stratified by its Fox-Neuwirth cell decomposition, which we eventually show is Whitney stratified. The second is the Ran space of a smooth, nonempty, connected manifold M stratified by cardinality. We also consider the unital Ran space of M and note why it is not a stratified space.

§B: This section is a review of exit-path ∞ -category constructions notable to this work, namely Lurie’s [21] and Ayala-Francis-Tanaka-Rozenblyum’s [3, 5]. Our main example is the latter’s exit-path construction applied to the unordered configuration space of r points in \mathbb{R}^n stratified by its Fox-Neuwirth cells. Key here is that Whitney stratified spaces are conically smooth [26]. Thus, the Whitney stratified space $\text{Conf}_r(\mathbb{R}^n)_{\Sigma_r}$ is conically smooth, and is, therefore, input for Ayala-Francis-Tanaka-Rozenblyum’s exit-path functor. We conclude this section with an explanation for why we use neither exit-path construction to define the three main exit-path ∞ -categories of this work.

§C: We recall the wreath product of categories and Segal’s gamma functor in order to define the category Θ_n as the n -fold wreath product of the simplex category Δ with itself. We also review an important class of morphisms in Θ_n , namely active morphisms, which are characterized by their trivial interaction with the basepoint in pointed finite sets.

Acknowledgements. I would like to thank my PhD advisor David Ayala for sharing his time, energy and ideas for this project, contributing significantly to my fantastic time as a graduate student in Bozeman, Montana. Additionally, I would like to thank Eric Berry, Greg Friedman, Ben Knudsen, Damien Lejay, Peter May, Ben Moldstad, Dan Perry, and Dev Sinha for many helpful conversations and unmeasurable support.

1. EXIT-PATHS IN THE UNITAL RAN SPACE

Unless otherwise stated, let M denote a connected, nonempty, smooth manifold for the entirety of the paper. In this section, we construct two ∞ -categories to codify configurations of finite subsets of M . The first encodes the configuration spaces of unordered points in M of all finite cardinalities, including cardinality zero. Heuristically, its objects are finite, possibly empty subsets S of M , and its morphisms witness anticollision and vanishing of points in M , but not collision. Before defining this ∞ -category, we need the following construction.

Definition 1.0.1 (Def. 6.6.12, [3]). The *reversed cylinder* of a map between finite sets $T \rightarrow S$ is

$$\text{cylr}(T \rightarrow S) := S \coprod_{T \times \{0\}} (T \times \Delta^1).$$

More generally, the reversed cylinder of a composable sequence of maps between finite sets $S_p \rightarrow S_{p-1} \rightarrow \cdots \rightarrow S_0$ is

$$\text{cylr}(S_p \rightarrow S_{p-1} \rightarrow \cdots \rightarrow S_0) := S_0 \coprod_{S_1 \times \{0\}} S_1 \times \Delta^1 \coprod_{S_2 \times \Delta^1} \cdots \coprod_{S_p \times \Delta^{p-1}} (S_p \times \Delta^p).$$

Example 1.0.2. Consider the map of sets $T = \{t, t', t''\} \rightarrow S = \{s, s', s''\}$ given by $t, t' \mapsto s$ and $t'' \mapsto s'$. The coproduct $S \coprod_{T \times \{0\}} (T \times \Delta^1)$ is depicted by Figure 2, along with its natural projection to Δ^1 .

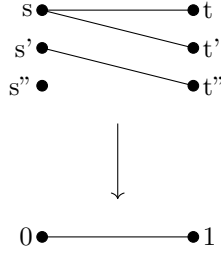


FIGURE 2

Observation 1.0.3. Recall that by definition, the nerve of Fin^{op} is a presheaf on Δ . Thus, we may define the ∞ -category Δ slice over Fin^{op} as the pullback of ∞ -categories

$$\begin{array}{ccc} \Delta_{/\text{Fin}^{\text{op}}} & \longrightarrow & \text{PShv}(\Delta)_{/\text{Fin}^{\text{op}}} \\ \downarrow & \lrcorner & \downarrow \\ \Delta & \xrightarrow{\text{Yoneda}} & \text{PShv}(\Delta) \end{array}$$

where $\text{PShv}(\Delta)$ is the category of presheaves on the simplex category Δ (Def. C.0.1) and Fin^{op} is the opposite of the category of finite sets (Def. C.1.1).

Definition 1.0.4. For a smooth, connected manifold M , the *exit-path ∞ -category of the unital Ran space of M* , $\text{Exit}(\text{Ran}^u(M))$, is the simplicial space over Fin^{op} representing the presheaf on $\Delta_{/\text{Fin}^{\text{op}}}$ whose value on an object

$$[p] \xrightarrow{\langle \sigma \rangle} \text{Fin}^{\text{op}}$$

which selects out a sequence of maps among finite sets $\sigma : S_p \rightarrow \cdots \rightarrow S_0$, is the space of embeddings

$$\text{cylr}(\sigma) \hookrightarrow M \times \Delta^p$$

over Δ^p equipped with the compact-open topology; the structure maps are evident.

Observation 1.0.5. Explicitly, an object of $\text{Exit}(\text{Ran}^u(M))$ in the fiber over the finite (possibly empty) set S is an embedding,

$$S \hookrightarrow M.$$

A morphism from $S \xrightarrow{e} M$ to $T \xrightarrow{d} M$ over the map of finite sets $T \xrightarrow{\sigma} S$ is an embedding,

$$\text{cylr}(T \xrightarrow{\sigma} S) \xrightarrow{E} M \times \Delta^1$$

over Δ^1 such that $E|_S = e$ and $E|_{T \times 1} = d$.

Example 1.0.6. Any embedding of Figure 2 into $M \times \Delta^1$ over Δ^1 is a morphism in $\text{Exit}(\text{Ran}^u(M))$. Such a morphism is a degeneracy morphism since the point s'' vanishes. Also note that the point s anticollides into two points.

Remark 1.0.7. Definition 1.0.4 can be viewed as a generalization of Lurie’s exit-path ∞ -category (Def. B.1.1) of the Ran space of M (Def. A.2.1). In particular, it encodes the empty configuration in a nontrivial way, namely the space of morphisms from any configuration to the empty configuration is always nonempty. Definition B.1.1 cannot be directly extended to accommodate this essential feature which presented one of the main technical difficulties of this work; see §B.3.1 for more details.

Remark 1.0.8. Ayala-Francis-Tanaka-Rozenblyum’s exit-path ∞ -category construction (Def. B.2.1) cannot be used to encode $\text{Exit}(\text{Ran}^u(M))$ because the unital Ran space of M is not a stratified space; see §A.2.1 and §B.3.1 for more details.

Observation 1.0.9. There is a natural forgetful functor

$$\text{Exit}(\text{Ran}^u(M)) \xrightarrow{\phi} \text{Fin}^{\text{op}}$$

the value of which on an object $S \hookrightarrow M$ is S and on a morphism $\text{cylr}(J \xrightarrow{\sigma} S) \hookrightarrow M \times \Delta^1$ is σ .

By removing the empty set from $\text{Exit}(\text{Ran}^u(M))$ and all morphisms that involve the vanishing of points, we obtain the other ∞ -category introduced in this section, which is defined as follows.

Definition 1.0.10. The *exit-path ∞ -category of the Ran space of M* denoted $\text{Exit}(\text{Ran}(M))$ is the subsimplicial space of $\text{Exit}(\text{Ran}^u(M))$, obtained as the following pullback of simplicial spaces

$$(3) \quad \begin{array}{ccc} \text{Exit}(\text{Ran}(M)) & \hookrightarrow & \text{Exit}(\text{Ran}^u(M)) \\ \downarrow & \lrcorner & \downarrow \phi \\ (\text{Fin}_{\neq \emptyset}^{\text{surj}})^{\text{op}} & \hookrightarrow & \text{Fin}^{\text{op}} \end{array}$$

where $\text{Fin}_{\neq \emptyset}^{\text{surj}}$ is the subcategory of finite sets consisting of nonempty sets and all those morphisms that are surjections.

Informally, an object of $\text{Exit}(\text{Ran}(M))$ is a finite, nonempty subset of M and a morphism is a path in $\text{Ran}(M)$ (Def. A.2.1) that may witness anticollision of points in M , but not collision.

Remark 1.0.11. Lurie’s exit-path ∞ -category construction (Def. B.1.1) applied to the Ran space (Def. A.2.1) of M is equivalent to Definition 1.0.10.

1.1. $\text{Exit}(\text{Ran}^u(M))$ is an ∞ -category. This subsection is devoted to proving the technical result that the exit-path ∞ -category of the unital Ran space of a connected smooth manifold M , $\text{Exit}(\text{Ran}^u(M))$, and consequently the exit-path ∞ -category of the Ran space of M , $\text{Exit}(\text{Ran}(M))$, is in fact an ∞ -category. In particular we show that it is a complete Segal space. We allow ourselves to freely use notation and results from [3] and begin with the definition of a complete Segal space after Rezk in [29].

Definition 1.1.1. A simplicial space $\Delta^{\text{op}} \xrightarrow{F} \text{Spaces}$ is a *complete Segal space* if it satisfies the following two conditions:

- (1) (Segal Condition) For each $p > 1$, the diagram of spaces

$$\begin{array}{ccc} F[p] & \longrightarrow & F\{p-1 < p\} \\ \downarrow & \lrcorner & \downarrow \\ F\{0 < \dots < p-1\} & \longrightarrow & F\{p-1\} \end{array}$$

is a pullback.

(2) (Completeness Condition) The diagram of spaces

$$\begin{array}{ccccc}
 & & F(*) & & \\
 & \swarrow & \downarrow & \searrow & \\
 F(*) & & F[3] & & F(*) \\
 & \searrow & \swarrow & \swarrow & \searrow \\
 & & F\{0 < 2\} & & F\{1 < 3\}
 \end{array}$$

is a limit.

Proposition 1.1.2. *The simplicial space $\text{Exit}(\text{Ran}^u(M))$ satisfies the Segal and completeness conditions.*

Corollary 1.1.3. *The simplicial space $\text{Exit}(\text{Ran}(M))$ satisfies the Segal and completeness conditions.*

Proof. By Definition 1.0.10, $\text{Exit}(\text{Ran}(M))$ is the pullback of the diagram

$$\begin{array}{ccc}
 \text{Exit}(\text{Ran}(M)) & \hookrightarrow & \text{Exit}(\text{Ran}^u(M)) \\
 \downarrow & \lrcorner & \downarrow \\
 (\text{Fin}_{\neq \emptyset}^{\text{surj}})^{\text{op}} & \hookrightarrow & \text{Fin}^{\text{op}}
 \end{array}$$

of simplicial spaces. The result follows because the full ∞ -subcategory of simplicial spaces consisting of the complete Segal spaces is closed under the formation of pullbacks. \square

The idea for the proof of Proposition 1.1.2 is to witness the simplicial space $\text{Exit}(\text{Ran}^u(M))$ as one derived through formal constructions among complete Segal spaces from the complete Segal space of *constructible bundles* \mathcal{Bun} (Def. 6.3.6, [3]). \mathcal{Bun} is a complete Segal space whose value on $[p]$ is the moduli space of constructible bundles over Δ^p with the standard stratification (Ex. A.0.2). The simplicial structure maps are implemented by base change of constructible bundles.

The space of objects in \mathcal{Bun} is the moduli space of constructible bundles over $\Delta^0 = *$, which, in fact, is the moduli space of stratified spaces. In other words, an object of \mathcal{Bun} is a stratified space. Thus, a finite set is an example of an object in \mathcal{Bun} , and a smooth manifold is an example of an object in \mathcal{Bun} as well. Lemma 6.3.11 of [3] uses the reverse cylinder construction (Def. 1.0.1) to construct a fully faithful functor

$$\text{Fin}_*^{\text{op}} \longrightarrow \mathcal{Bun}$$

whose image consists of finite sets. In particular, there is a composite monomorphism

$$(4) \quad \text{Fin}^{\text{op}} \xrightarrow{(-)_+} \text{Fin}_*^{\text{op}} \longrightarrow \mathcal{Bun}$$

of ∞ -categories. Note that a $[p]$ -point $X \rightarrow \Delta^p$ of \mathcal{Bun} factors through (4) if and only if $X \rightarrow \Delta^p$ is a finite proper constructible bundle.

Lemma 3.31 of [4] constructs the *k-skeleton* functor

$$\text{sk}_k: \mathcal{Bun} \longrightarrow \mathcal{Bun}$$

for each dimension k . Explicitly, the value on a stratified space X is the proper constructible stratified subspace $\text{sk}_k(X) \subset X$ that is the union of the strata whose dimension is at most k . The value of sk_k on a $[p]$ -point $X \rightarrow \Delta^p$ of \mathcal{Bun} is the constructible bundle

$$\text{sk}_k^{\text{fib}}(X) \longrightarrow \Delta^p$$

which is the *fiberwise k-skeleton* of X : the union of those strata of X whose projection to Δ^p have fiber-dimension at most k .

Note that sk_0 factors through Fin_* :

$$\text{sk}_0: \mathcal{Bun} \longrightarrow \text{Fin}_*^{\text{op}} \hookrightarrow \mathcal{Bun}.$$

Consider the ∞ -category $\text{Strat}^{\text{ref}}$ underlying the topological category in which an object is a stratified space and the space of morphisms is that of *refinements*.

Definition 1.1.4 (Def. 3.6.1, [5]). A map of stratified spaces $(X \rightarrow P) \xrightarrow{f} (Y \rightarrow Q)$ is a *refinement* if f is a homeomorphism between the underlying topological spaces, and if for each $p \in P$ the restriction of f to each stratum X_p is an embedding into Y .

Section §6.6 of [3] constructs the *open cylinder* functor between ∞ -categories

$$(5) \quad \text{Cylo}: \text{Strat}^{\text{ref}} \longrightarrow \mathcal{Bun}$$

which is an equivalence on spaces of objects. Theorem 6.6.15 of [3] verifies that this functor is a monomorphism. So each refinement between stratified spaces defines a morphism in \mathcal{Bun} . As a matter of notation, a morphism in \mathcal{Bun} that is in the image of this functor is called a *refinement*; the ∞ -category of *refinement arrows* in \mathcal{Bun} is the full ∞ -subcategory

$$(6) \quad \text{Ar}^{\text{ref}}(\mathcal{Bun}) \subset \text{Ar}(\mathcal{Bun})$$

consisting of the refinements arrows. Evaluation at source-target defines a functor

$$(\text{ev}_s, \text{ev}_t): \text{Ar}^{\text{ref}}(\mathcal{Bun}) \longrightarrow \mathcal{Bun} \times \mathcal{Bun}.$$

Denote the pullback ∞ -category:

$$(7) \quad \begin{array}{ccc} \mathcal{R}\text{ef}^0(M) & \longrightarrow & \text{Ar}^{\text{ref}}(\mathcal{Bun}) \\ \downarrow & & \downarrow (\text{ev}_s, \text{ev}_t) \\ & & \mathcal{Bun} \times \mathcal{Bun} \\ & & \downarrow \text{sk}_{n-1} \times \text{Id} \\ \text{Fin}^{\text{op}} & \xrightarrow{=} & \text{Fin}^{\text{op}} \times * \xrightarrow{(4) \times \langle M \rangle} \mathcal{Bun} \times \mathcal{Bun}. \end{array}$$

Unpacking this definition and using the *open cylinder* construction (5), we see that $\mathcal{R}\text{ef}^0(M)$ is a simplicial space whose value on $[p] \in \Delta$ is the moduli space of

- constructible bundles

$$X \longrightarrow \Delta^p$$

for which the $(n-1)$ -skeleton of each fiber of which is a finite set,

- together with a refinement

$$X \xrightarrow{\text{refinement}} M \times \Delta^p$$

over Δ^p .

We will denote such a $[p]$ -point of $\mathcal{R}\text{ef}^0(M)$ simply as $(X \xrightarrow{\text{ref}} M \times \Delta^p)$. Example 2.1.7 of [5] shows that the product of stratified spaces is naturally a stratified space. We consider $M \times \Delta^p$ as a product stratified space, where M is trivially stratified over the poset with a singleton, and Δ^p is given the standard stratification (Ex. A.0.2).

Informally, an object in $\mathcal{R}\text{ef}^0(M)$ is a refinement of M in which the $(n-1)$ -skeleton of the domain is a finite set, and a morphism in $\mathcal{R}\text{ef}^0(M)$ is a path of such refinements of M witnessing anticollision and disappearances of strata.

Observation 1.1.5. There is a natural forgetful functor

$$\mathcal{R}\text{ef}^0(M) \longrightarrow \text{Fin}^{\text{op}}$$

to the opposite of the category of finite sets, the value of which on an object $X \xrightarrow{\text{ref}} M$ is the underlying set of the $(n-1)$ -skeleton of X , and on a morphism $X \xrightarrow{\text{ref}} M \times \Delta^1$ is the canonical

assignment between sets, from the $(n-1)$ -skeleton of the fiber of $X \rightarrow \Delta^1$ over $\{1\} \in \Delta^1$ to the $(n-1)$ -skeleton of the fiber over $\{0\} \in \Delta^1$, implemented by taking connected components of the $(n-1)$ -skeleton of X . In other words, taking connected components of the fiberwise $(n-1)$ -skeleton of X induces a canonical assignment of sets

$$\mathrm{sk}_{n-1}^{\mathrm{fib}}(X_{|1}) \longrightarrow \mathrm{sk}_{n-1}^{\mathrm{fib}}(X_{|0})$$

from the $(n-1)$ -skeleton of the target of X to the $(n-1)$ -skeleton of the source of X .

Lemma 1.1.6. *There is a canonical equivalence between simplicial spaces*

$$\mathcal{R}\mathrm{ef}^0(M) \simeq \mathrm{Exit}(\mathrm{Ran}^u(M))$$

over $\mathrm{Fin}^{\mathrm{op}}$.

Proof. A rightward morphism is implemented by, for each $[p] \in \mathbf{\Delta}$, the assignment,

$$\left(X \xrightarrow{\mathrm{ref}} M \times \Delta^p \right) \mapsto \left(\mathrm{sk}_{n-1}^{\mathrm{fib}}(X) \hookrightarrow X \rightarrow M \times \Delta^p \right),$$

whose value is the embedding over Δ^p from the fiberwise $(n-1)$ -skeleton, which maps to Δ^p as a finite proper constructible bundle. A leftward morphism is implemented by, for each $[p] \in \mathbf{\Delta}$, the assignment,

$$\left(\mathrm{Cylr}(\sigma) \hookrightarrow M \times \Delta^p \right) \mapsto \left((\mathrm{Cylr}(\sigma) \subset M \times \Delta^p) \xrightarrow{\mathrm{ref}} M \times \Delta^p \right),$$

whose value is the coarsest refinement of $M \times \Delta^p$ for which the embedding from $\mathrm{Cylr}(\sigma)$ is a proper and constructible. (Such a refinement exists because the image of this embedding is, by definition, a properly embedded stratified subspace.)

It is straightforward to verify that these two assignments are mutually inverse to one another, and further, that they are both over $\mathrm{Fin}^{\mathrm{op}}$. Furthermore, it is evident that the structure maps are equivalent. \square

Proof of Proposition 1.1.2. Being an ∞ -category, the simplicial space $\mathcal{R}\mathrm{ef}^0(M)$ satisfies the Segal and completeness conditions. Through the equivalence of Lemma 1.1.6, then so does the simplicial space $\mathrm{Exit}(\mathrm{Ran}^u(M))$. \square

1.2. Statement of main result. We restate our main result in its full generality, which is a combinatorial identification of the ∞ -category $\mathrm{Exit}(\mathrm{Ran}^u(M))$ in the case of $M = \mathbb{R}^n$ in terms of the subcategory of Θ_n consisting of active morphisms (Def. C.1.3).

Theorem 1.2.1. *For $n \geq 1$ there is a localization of ∞ -categories*

$$\Theta_n^{\mathrm{act}} \rightarrow \mathrm{Exit}(\mathrm{Ran}^u(\mathbb{R}^n))$$

which is contravariant over the category of finite sets.

2. EXIT-PATHS IN THE FOX-NEUWIRTH UNITAL RAN SPACE OF \mathbb{R}^n

The goal of this section is to construct an ∞ -category to interpolate between the category Θ_n^{act} and the ∞ -category $\mathrm{Exit}(\mathrm{Ran}^u(\mathbb{R}^n))$, the source and target, respectively, of Theorem 1.2.1. This ∞ -category will encode all of the configuration spaces of \mathbb{R}^n (including the empty one) each stratified by their Fox-Neuwirth cell decompositions (§A.2.3).

Observation 2.0.1. Let $\mathrm{Fun}(\{1 < \dots < n\}, \mathrm{Fin}^{\mathrm{op}})$ denote the category of functors from the linearly ordered set $\{1 < \dots < n\}$ regarded as a category (Term. C.0.3) to the opposite of the category of finite sets $\mathrm{Fin}^{\mathrm{op}}$ (Def. C.1.1). Recall that by definition the nerve of $\mathrm{Fun}(\{1 < \dots < n\}, \mathrm{Fin}^{\mathrm{op}})$ is a

presheaf on Δ . Thus, we may define the ∞ -category Δ slice over $\text{Fun}(\{1 < \dots < n\}, \text{Fin}^{\text{op}})$ as the following pullback

$$\begin{array}{ccc} \Delta / \text{Fun}(\{1 < \dots < n\}, \text{Fin}^{\text{op}}) & \longrightarrow & \text{PShv}(\Delta) / \text{Fun}(\{1 < \dots < n\}, \text{Fin}^{\text{op}}) \\ \downarrow & \lrcorner & \downarrow \\ \Delta & \xrightarrow{\text{Yoneda}} & \text{PShv}(\Delta) \end{array}$$

where $\text{PShv}(\Delta)$ is the category of presheaves on the simplex category.

Definition 2.0.2. The *exit-path* ∞ -category of the Fox-Newirth unital Ran space of \mathbb{R}^n denoted $\text{Exit}(\text{Ran}^u(\mathbb{R}^n))$ is the simplicial space over $\text{Fun}(\{1 < \dots < n\}, \text{Fin}^{\text{op}})$ representing the presheaf on $\Delta / \text{Fun}(\{1 < \dots < n\}, \text{Fin}^{\text{op}})$ whose value on an object

$$[p] \rightarrow \text{Fun}(\{1 < \dots < n\}, \text{Fin}^{\text{op}})$$

which selects a diagram of finite sets

$$(8) \quad \begin{array}{ccccc} \sigma_n : S_n^p & \longrightarrow & \cdots & \longrightarrow & S_n^0 \\ \downarrow & & & & \downarrow \\ \vdots & & \vdots & & \vdots \\ \downarrow & & & & \downarrow \\ \sigma_1 : S_1^p & \longrightarrow & \cdots & \longrightarrow & S_1^0 \end{array}$$

is the space of compatible embeddings

$$(9) \quad \begin{array}{ccc} \text{cylr}(\sigma_n) & \xleftarrow{E_n} & \mathbb{R}^n \times \Delta^p \\ \downarrow & & \downarrow \text{pr}_{<n} \times \text{id}_{\Delta^p} \\ \text{cylr}(\sigma_{n-1}) & \xleftarrow{E_{n-1}} & \mathbb{R}^{n-1} \times \Delta^p \\ \downarrow & & \downarrow \text{pr}_{<n-1} \times \text{id}_{\Delta^p} \\ \vdots & & \vdots \\ \downarrow & & \downarrow \\ \text{cylr}(\sigma_1) & \xleftarrow{E_1} & \mathbb{R} \times \Delta^p \end{array}$$

where each embedding is over Δ^p and the downward arrows on the lefthand side are induced by the downward arrows of (8). This embedding space is given the compact-open topology; the structure maps are evident.

Observation 2.0.8 defines a canonical functor from $\text{Exit}(\text{Ran}^u(\mathbb{R}^n))$ to $\text{Fun}(\{1 < \dots < n\}, \text{Fin}^{\text{op}})$.

Observation 2.0.3. Explicitly, an object of $\text{Exit}(\text{Ran}^u(\mathbb{R}^n))$ over the sequence of finite sets,

$$(10) \quad S_n \xrightarrow{\tau_{n-1}} S_{n-1} \xrightarrow{\tau_{n-2}} \cdots \rightarrow S_1$$

is a sequence of embeddings,

$$(11) \quad \begin{array}{ccc} S_n & \xleftarrow{e_n} & \mathbb{R}^n \\ \tau_{n-1} \downarrow & & \downarrow \text{pr}_{<n} \\ S_{n-1} & \xleftarrow{e_{n-1}} & \mathbb{R}^{n-1} \\ \tau_{n-2} \downarrow & & \downarrow \text{pr}_{<n-1} \\ \vdots & & \vdots \\ \downarrow & & \downarrow \\ S_1 & \xleftarrow{e_1} & \mathbb{R}. \end{array}$$

When the context is clear, we denote (11) by $\underline{S} \xrightarrow{e} \mathbb{R}^n$ or just e .

A morphism from $\underline{S} \xrightarrow{e} \mathbb{R}^n$ to $\underline{T} \xrightarrow{d} \mathbb{R}^n$ over the diagram of finite sets,

$$(12) \quad \begin{array}{ccc} T_n & \xrightarrow{\sigma_n} & S_n \\ \omega_{n-1} \downarrow & & \downarrow \tau_{n-1} \\ T_{n-1} & \xrightarrow{\sigma_{n-1}} & S_{n-1} \\ \omega_{n-2} \downarrow & & \downarrow \tau_{n-2} \\ \vdots & & \vdots \\ \downarrow & & \downarrow \\ T_1 & \xrightarrow{\sigma_1} & S_1 \end{array}$$

is a sequence of embeddings,

$$(13) \quad \begin{array}{ccc} \text{cylr}(\sigma_n) & \xleftarrow{E_n} & \mathbb{R}^n \times \Delta^1 \\ \downarrow & & \downarrow \text{pr}_{<n} \times \text{id}_{\Delta^1} \\ \text{cylr}(\sigma_{n-1}) & \xleftarrow{E_{n-1}} & \mathbb{R}^{n-1} \times \Delta^1 \\ \downarrow & & \downarrow \text{pr}_{<n-1} \times \text{id}_{\Delta^1} \\ \vdots & & \vdots \\ \downarrow & & \downarrow \\ \text{cylr}(\sigma_1) & \xleftarrow{E_1} & \mathbb{R} \times \Delta^1 \end{array}$$

over Δ^1 such that $E_i|_{S_i} = e_i$ and $E_i|_{T_i \times \{1\}} = d_i$, for each $1 \leq i \leq n$. When the context is clear, we denote (13) by $\text{cylr}(\underline{\sigma}) \xrightarrow{E} \mathbb{R}^n \times \Delta^1$ or \underline{E} .

Heuristically an object consists of a finite, possibly empty subset of \mathbb{R}^i for each $1 \leq i \leq n$ together with maps between them which agree with the projection maps $\mathbb{R}^i \rightarrow \mathbb{R}^{i-1}$, but are not limited to projection only. In particular, if in the sequence $S_n \xrightarrow{\tau_{n-1}} S_{n-1} \xrightarrow{\tau_{n-2}} \cdots \rightarrow S_1$, τ_{i-1} is not a surjection, then there are points in $S_{i-1} \subset \mathbb{R}^{i-1}$ that are not from the projection of $S_i \subset \mathbb{R}^i$ to \mathbb{R}^{i-1} , namely those points in S_{i-1} whose preimage under τ_{i-1} is empty.

Similarly a morphism in $\text{Exit}(\text{Ran}^u(\mathbb{R}^n))$ consists of a morphism in $\text{Exit}(\text{Ran}^u(\mathbb{R}^i))$ for each $1 \leq i \leq n$, the collection of which are compatible under, but not limited to projection. The data of a

morphism for all $i < n$ captures the fact that morphisms in $\text{Exit}(\text{Ran}^u(\mathbb{R}^n))$ distinguish between the Fox-Neuwirth cells in each configuration space of \mathbb{R}^n of fixed cardinality. In other words, its morphisms witness sets of points moving from more coordinate coincidence to less, but not vice-versa, in addition to anticollision and vanishing of points.

Notation 2.0.4. We denote a point in the $[p]$ -space of $\text{Exit}(\text{Ran}^u(\mathbb{R}^n))$ over (12) by

$$\text{cylr}(\underline{\sigma}) \xrightarrow{E} \mathbb{R}^n \times \Delta^p.$$

Observation 2.0.5. A morphism in $\text{Exit}(\text{Ran}^u(\mathbb{R}^n))$ is an isomorphism if and only if it is entirely contained in a configuration space of fixed cardinality. In contrast a morphism in $\text{Exit}(\text{Ran}^u(\mathbb{R}^n))$ is an isomorphism if and only if it is entirely contained in a single Fox-Neuwirth cell of a configuration space of fixed cardinality.

Remark 2.0.6. Ayala-Francis-Rozenblyum-Tanaka's exit-path ∞ -category of the Fox-Neuwirth cell stratification $\text{Conf}_r(\mathbb{R}^n)_{\Sigma_r}$ (§B.2.1) is an ∞ -subcategory of $\text{Exit}(\text{Ran}^u(\mathbb{R}^n))$.

Remark 2.0.7. Ayala-Francis-Rozenblyum-Tanaka's exit-path ∞ -category construction (Def. B.2.1) cannot be used to encode $\text{Exit}(\text{Ran}^u(\mathbb{R}^n))$ because the unital Ran space of \mathbb{R}^n does not emit a stratification by cardinality and the Fox-Neuwirth cells; see §A.2.3 and §B.3.3 for more details.

Observation 2.0.8. For each $1 \leq i \leq n$, there is a natural forgetful contravariant functor to finite sets

$$\phi_i : \text{Exit}(\text{Ran}^u(\mathbb{R}^n)) \longrightarrow \text{Fin}^{\text{op}}$$

that forgets all but the set data at the \mathbb{R}^i level. Its value on an object $\underline{S} \xrightarrow{e} \mathbb{R}^n$ is S_i and on a morphism

$$\text{cylr}(\underline{T} \xrightarrow{\sigma} \underline{S}) \xrightarrow{E} \mathbb{R}^n \times \Delta^1$$

from $\underline{S} \xrightarrow{e} \mathbb{R}^n$ to $\underline{T} \xrightarrow{e} \mathbb{R}^n$ is the map of finite sets

$$T_i \xrightarrow{\sigma_i} S_i.$$

The collection of functors $\{\phi_i\}_{i=1}^n$ naturally compile to name a canonical functor

$$\Phi_n : \text{Exit}(\text{Ran}^u(\mathbb{R}^n)) \longrightarrow \text{Fun}(\{1 < \dots < n\}, \text{Fin}^{\text{op}})$$

which just remembers the underlying set data. Namely, its value on an object $\underline{S} \xrightarrow{e} \mathbb{R}^n$ is the functor which selects out the composable sequence of maps of finite sets \underline{S} and its value on a morphism $\text{cylr}(\underline{T} \xrightarrow{\sigma} \underline{S}) \xrightarrow{E} \mathbb{R}^n \times \Delta^1$ is the commutative diagram of finite sets $\underline{T} \xrightarrow{\sigma} \underline{S}$.

Observation 2.0.9. There is a natural forgetful functor

$$\mathcal{F} : \text{Exit}(\text{Ran}^u(\mathbb{R}^n)) \longrightarrow \text{Exit}(\text{Ran}^u(\mathbb{R}^n))$$

over Fin^{op} induced by the functor from $\text{Fun}(\{1 < \dots < n\}, \text{Fin}^{\text{op}})$ to Fin^{op} that evaluates on $\{n\}$.

The value of a $[p]$ -value $\text{cylr}(\underline{\sigma}) \xrightarrow{E} \mathbb{R}^n \times \Delta^p$ over (8) is the embedding of E at the \mathbb{R}^n level

$$\text{cylr}(\sigma_n) \xrightarrow{E_n} \mathbb{R}^n \times \Delta^p$$

over $\sigma_n : S_n^p \rightarrow \dots \rightarrow S_n^0$.

Observation 2.0.10. There is a natural forgetful functor

$$\rho : \text{Exit}(\text{Ran}^u(\mathbb{R}^n)) \longrightarrow \text{Exit}(\text{Ran}^u(\mathbb{R}))$$

that forgets all but the first coordinate data. The image of a $[p]$ -value

$$\text{cylr}(\underline{\sigma}) \xrightarrow{E} \mathbb{R}^n \times \Delta^p$$

over (8) under ρ is

$$\text{cylr}(\sigma_1) \xrightarrow{E_1} \mathbb{R} \times \Delta^p$$

defined over $\sigma_1 : S_1^p \rightarrow \dots \rightarrow S_1^0$.

Observation 2.0.11. Recall the wreath product of ∞ -categories (Def. C.0.6, Def. C.0.8, & Note C.0.9). There is a natural forgetful functor

$$\pi : \text{Exit}(\text{Ran}^u(\mathbb{R}^n)) \longrightarrow \text{Fin}^{\text{op}} \wr \text{Exit}(\text{Ran}^u(\mathbb{R}^{n-1}))$$

which remembers the i th-coordinate data for each $2 \leq i \leq n$ as fibers over the first coordinate data forgotten to Fin^{op} via the forgetful functor ϕ_1 (Obs. 2.0.8). The value of π on a $[p]$ -point $\text{cylr}(\sigma) \xrightarrow{E} \mathbb{R}^n \times \Delta^p$ (9) over the diagram (8) is twofold:

- i. First, it is the data of the composable string of morphisms $\sigma_1 : S_1^p \rightarrow \cdots \rightarrow S_1^0$ in Fin from (8).
- ii. Second, it is the data of the $[p]$ -point in $\text{Exit}(\text{Ran}^u(\mathbb{R}^{n-1}))$ obtained as follows. For each $(p+1)$ -tuple $(s_p \in S_1^p, \dots, s_0 \in S_1^0)$ such that $\sigma_1(s_i) = s_{i-1}$ for all $1 \leq i \leq p$, consider the sequence of embeddings of the fibers over the cylinder of the restriction of σ_1 to $s_p \mapsto \cdots \mapsto s_0$, $\text{cylr}(\sigma_1|_{s_p})$:

$$(14) \quad \begin{array}{ccccc} \text{cylr}(\sigma_n)|_{\sigma_1(s_p)} & \longleftarrow & \text{cylr}(\sigma_n) & \longleftarrow & \mathbb{R}^n \times \Delta^p \\ \downarrow & \lrcorner & \downarrow & & \downarrow \text{pr}_{<n} \\ \text{cylr}(\sigma_{n-1})|_{\sigma_1(s_p)} & \longleftarrow & \text{cylr}(\sigma_{n-1}) & \longleftarrow & \mathbb{R}^{n-1} \times \Delta^p \\ \downarrow & \lrcorner & \downarrow & & \downarrow \text{pr}_{<n-1} \\ \vdots & & \vdots & & \vdots \\ \downarrow & & \downarrow & & \downarrow \\ \text{cylr}(\sigma_2)|_{\sigma_1(s_p)} & \longleftarrow & \text{cylr}(\sigma_2) & \longleftarrow & \mathbb{R}^2 \times \Delta^p \\ \downarrow & \lrcorner & \downarrow & & \downarrow \text{pr}_{<2} \\ \text{cylr}(\sigma_1|_{s_p}) \simeq \Delta^p & \longleftarrow & \text{cylr}(\sigma_1) & \longleftarrow & \mathbb{R} \times \Delta^p. \end{array}$$

Although this sequence of embeddings defines a $[p]$ -point in $\text{Exit}(\text{Ran}^u(\mathbb{R}^n))$, it canonically determines a $[p]$ -point in $\text{Exit}(\text{Ran}^u(\mathbb{R}^{n-1}))$ because each embedding

$$\text{cylr}(\sigma_i)|_{\sigma_1(s_p)} \hookrightarrow \mathbb{R}^i \times \Delta^p$$

for each $2 \leq i \leq n$ together with the first embedding

$$\text{cylr}(\sigma_1|_{s_p}) \simeq \Delta^p \hookrightarrow \mathbb{R} \times \Delta^p$$

canonically factors through $\mathbb{R}^{i-1} \times \Delta^p$.

2.1. $\text{Exit}(\text{Ran}^u(\mathbb{R}^n))$ is an ∞ -category. This section is devoted to proving the technical result that the simplicial space $\text{Exit}(\text{Ran}^u(\mathbb{R}^n))$ is a complete Segal space (Def. 1.1.1).

Proposition 2.1.1. *The simplicial space $\text{Exit}(\text{Ran}^u(\mathbb{R}^n))$ satisfies the Segal and completeness conditions.*

We build directly on §1.1, wherein we show that $\text{Exit}(\text{Ran}^u(M))$ is a complete Segal space. Our approach in §1.1 witnesses the simplicial space $\text{Exit}(\text{Ran}^u(M))$ as one derived through formal constructions among complete Segal spaces from the complete Segal space $\mathcal{B}\text{un}$ defined in §6 of [3]. Our approach in this section is similar in that we show that $\text{Exit}(\text{Ran}^u(\mathbb{R}^n))$, too, can be derived through formal constructions among complete Segal spaces from $\mathcal{B}\text{un}$. Just as in §1.1, we freely use notation and results of [3] throughout the section.

Recall the ∞ -category $\mathcal{R}ef^0(\mathbb{R})$ defined as pullback (7). Heuristically, an object is a refinement of \mathbb{R} for which the 0-skeleton of the domain is a finite set, and a morphism is a path of such refinements of \mathbb{R} witnessing anticollision of strata and disappearances of strata. Observe that $\mathcal{R}ef^0(\mathbb{R}) \simeq \mathbf{Ar}^{\text{ref}}(\mathcal{B}un)_{|\mathbb{R}}$ is equivalent to the ∞ -category of refinement arrows in $\mathcal{B}un$ with the target fixed as the trivially stratified space \mathbb{R} . This is because every refinement of \mathbb{R} has as its 0-skeleton, a finite (possibly empty) set. The equivalence is given by the functor from $\mathbf{Ar}^{\text{ref}}(\mathcal{B}un)_{|\mathbb{R}}$ to $\mathcal{R}ef^0(\mathbb{R})$ which forgets the target. Let $\mathcal{R}ef(\mathbb{R}^n)$ denote the ∞ -category of refinement arrows in $\mathcal{B}un$ with the target fixed as \mathbb{R}^n equipped with the trivial stratification. Explicitly, $\mathcal{R}ef(\mathbb{R}^n)$ is the simplicial space whose value on $[p] \in \mathbf{\Delta}$ is the moduli space of

- constructible bundles

$$Y \longrightarrow \Delta^p$$

- together with a refinement

$$Y \xrightarrow{\text{refinement}} \mathbb{R}^n \times \Delta^p$$

over Δ^p .

We denote such a $[p]$ -point of $\mathcal{R}ef(\mathbb{R}^n)$ simply as $(Y \xrightarrow{\text{ref}} \mathbb{R}^n \times \Delta^p)$. Note that $\mathbb{R}^n \times \Delta^p$ is stratified as a product stratified space, where \mathbb{R}^n is trivially stratified over the poset consisting of a singleton, and Δ^p is given the standard stratification (Ex. A.0.2).

For $n \geq 2$, define the functor

$$F_n : \mathcal{R}ef^0(\mathbb{R}) \rightarrow \mathcal{R}ef(\mathbb{R}^n)$$

from refinements of \mathbb{R} to refinements of \mathbb{R}^n as follows: The value of a $[p]$ -point $(X \xrightarrow{\text{ref}} \mathbb{R} \times \Delta^p)$ under F_n is the refinement of $\mathbb{R}^n \times \Delta^p$ defined as the pullback

$$(15) \quad \begin{array}{ccc} F_n(X) & \longrightarrow & \mathbb{R}^n \times \Delta^p \\ \alpha \downarrow & \lrcorner & \downarrow \text{pr}_{<2} \times \text{Id}_{\Delta^p} \\ X & \xrightarrow{\text{ref}} & \mathbb{R} \times \Delta^p \end{array}$$

of stratified spaces. It is straightforward to check that the value $F_n(X)$ is a refinement of $\mathbb{R}^n \times \Delta^p$ by virtue of it being a pullback. Explicitly, the map $(F_n(X) \rightarrow \mathbb{R}^n \times \Delta^p)$ is

$$\left((\text{pr}_{<2} \times \text{Id}_{\Delta^p})^{-1} \left(\text{sk}_0^{\text{fib}}(X) \right) \subset \mathbb{R}^n \times \Delta^p \right) \xrightarrow{\text{ref}} \mathbb{R}^n \times \Delta^p$$

which denotes the coarsest refinement of $\mathbb{R}^n \times \Delta^p$ for which the embedding from

$$(\text{pr}_{<2} \times \text{Id}_{\Delta^p})^{-1} \left(\text{sk}_0^{\text{fib}}(X) \right)$$

is proper and constructible. As a technicality (that we use later) define F_1 to be the identity on $\mathcal{R}ef^0(\mathbb{R})$. Figure 3 is a sketch of the values of an object and a morphism under $F_2 : \mathcal{R}ef^0(\mathbb{R}) \rightarrow \mathcal{R}ef(\mathbb{R}^2)$.

Denote the pullback ∞ -category

$$(16) \quad \begin{array}{ccc} \widetilde{\mathcal{R}ef}(\mathbb{R}^n) & \longrightarrow & \mathbf{Ar}^{\text{ref}}(\mathcal{R}ef(\mathbb{R}^n)) \\ \downarrow & \lrcorner & \downarrow \text{target} \\ \mathcal{R}ef^0(\mathbb{R}) & \xrightarrow{F_n} & \mathcal{R}ef(\mathbb{R}^n) \end{array}$$

where $\mathbf{Ar}^{\text{ref}}(\mathcal{R}ef(\mathbb{R}^n))$ is the ∞ -category of refinement arrows of $\mathcal{R}ef(\mathbb{R}^n)$. In other words it is the full ∞ -subcategory of the ∞ -category of arrows of $\mathcal{R}ef(\mathbb{R}^n)$ consisting of the refinement arrows.

Recall the open cylinder construction (5). We aim to determine that $\widetilde{\mathcal{R}ef}(\mathbb{R}^n)$ is the following simplicial space: Its value on $[p] \in \mathbf{\Delta}$ is the moduli space of

- pairs of constructible bundles

$$((X \longrightarrow \Delta^p), (Y \longrightarrow \Delta^p))$$

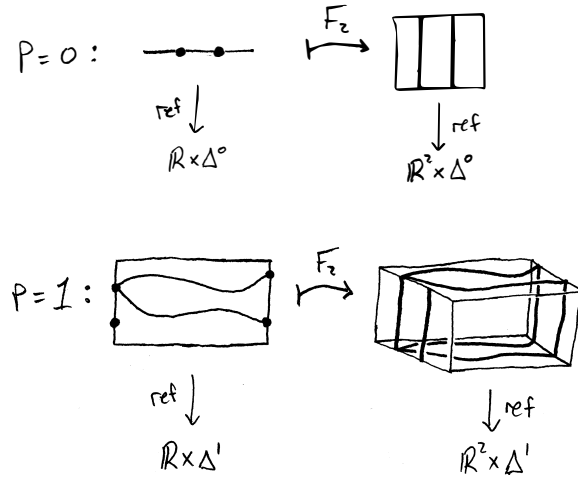


FIGURE 3. The values of a $[0]$ -point and a $[1]$ -point in $\text{Ref}^0(\mathbb{R})$ under F_2 .

- together with a pair of refinements of stratified spaces

$$\left(\left(X \xrightarrow{\text{refinement}} \mathbb{R} \times \Delta^p \right), \left(Y \xrightarrow{\text{refinement}} F_n(X) \right) \right)$$

each of which is over Δ^p .

To keep in mind that Y is, in particular, a refinement of $\mathbb{R}^n \times \Delta^p$, we denote such a $[p]$ -point of $\widetilde{\text{Ref}}(\mathbb{R}^n)$ by

$$(17) \quad \begin{array}{ccc} Y & \xrightarrow{\text{ref}} & F_n(X) \\ & \searrow \text{ref} & \downarrow \text{ref} \\ & & \mathbb{R}^n \times \Delta^p \end{array}$$

Figure 4 is a sketch of an object ($p = 0$) and a morphism ($p = 1$) in $\widetilde{\text{Ref}}(\mathbb{R}^2)$.

For each such $[p]$ -point of $\widetilde{\text{Ref}}(\mathbb{R}^n)$ (17) there is a canonical stratified map of stratified spaces from Y to X defined to be the composite of the stratified maps

$$Y \xrightarrow{\text{ref}} F_n(X) \xrightarrow{\alpha} X$$

where α is the stratified map in (15) which is given by virtue of $F_n(X)$ being defined as a pullback. The map of underlying topological spaces is projection onto the first Euclidean coordinate product with the identity on Δ^p . We denote this stratified projection map $Y \xrightarrow{\text{pr}_{<2}} X$.

Definition 2.1.2. For $n \geq 2$, the ∞ -category $\widetilde{\text{Ref}}(\mathbb{R}^n)$ is defined inductively on n :

$\widetilde{\text{Ref}}(\mathbb{R}^2)$ is the full ∞ -subcategory of $\widetilde{\text{Ref}}(\mathbb{R}^2)$ consisting of those objects

$$\begin{array}{ccc} Y & \xrightarrow{\text{ref}} & F_2(X) \\ & \searrow \text{ref} & \downarrow \text{ref} \\ & & \mathbb{R}^2 \end{array}$$

for which the 1-skeleton of the open cylinder of $\left(Y \xrightarrow{\text{ref}} F_2(X) \right)$ is a refinement morphism in Bun .

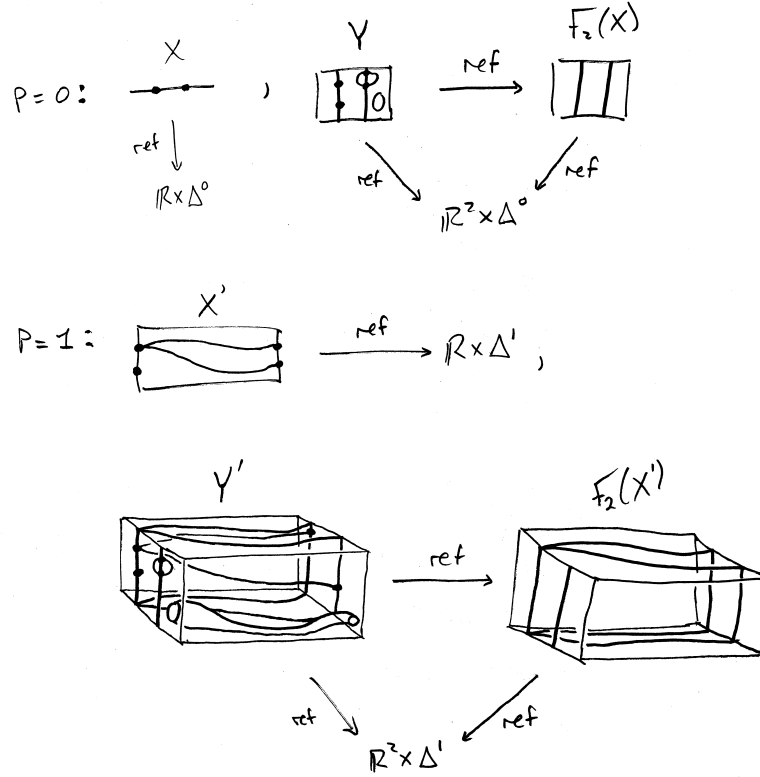


FIGURE 4. A [0]-point and a [1]-point in $\widetilde{\text{Ref}}(\mathbb{R}^2)$.

$\widetilde{\text{Ref}}(\mathbb{R}^n)$ is the full ∞ -subcategory of $\widetilde{\text{Ref}}(\mathbb{R}^n)$ consisting of those objects

$$\begin{array}{ccc}
 Y & \xrightarrow{\text{ref}} & F_n(X) \\
 & \searrow \text{ref} & \downarrow \text{ref} \\
 & & \mathbb{R}^n
 \end{array}$$

such that

- i. the $(n-1)$ -skeleton of the open cylinder of $(Y \xrightarrow{\text{ref}} F_n(X))$ is a refinement morphism in \mathcal{Bun} .
- ii. the fiber of the stratified projection map $Y \xrightarrow{\text{pr}_{<2}} X$ over each point in the 0-skeleton of X is an object in $\widetilde{\text{Ref}}(\mathbb{R}^{n-1})$.

Explicitly, $\widetilde{\text{Ref}}(\mathbb{R}^n)$ is the simplicial space whose value on $[p] \in \Delta$ is the moduli space of

- pairs of constructible bundles

$$((X \rightarrow \Delta^p), (Y \rightarrow \Delta^p))$$

- together with a pair of refinements among stratified spaces

$$\left((X \xrightarrow{\text{refinement}} \mathbb{R} \times \Delta^p), (Y \xrightarrow{\text{refinement}} F_n(X)) \right)$$

each of which is over Δ^p
satisfying the conditions

- i. the fiberwise $(n - 1)$ -skeleton of the open cylinder of $(Y \xrightarrow{\text{ref}} F_n(X))$ is a refinement morphism in \mathcal{Bun} .
- ii. the fiber of the stratified projection map $(Y \xrightarrow{\text{pr}_{<2}} X)$ over each point in the 0-skeleton of X is an object in $\widetilde{\mathcal{R}ef}(\mathbb{R}^{n-1})$.

We will denote such a $[p]$ -point in $\widetilde{\mathcal{R}ef}(\mathbb{R}^n)$ as

$$\begin{array}{ccc} Y & \xrightarrow{\text{ref}} & F_n(X) \\ & \searrow \text{ref} & \downarrow \text{ref} \\ & & \mathbb{R}^n \times \Delta^p \end{array}$$

Figure 5 is a sketch of an object ($p = 0$) and a morphism ($p = 1$) in $\widetilde{\mathcal{R}ef}(\mathbb{R}^2)$.

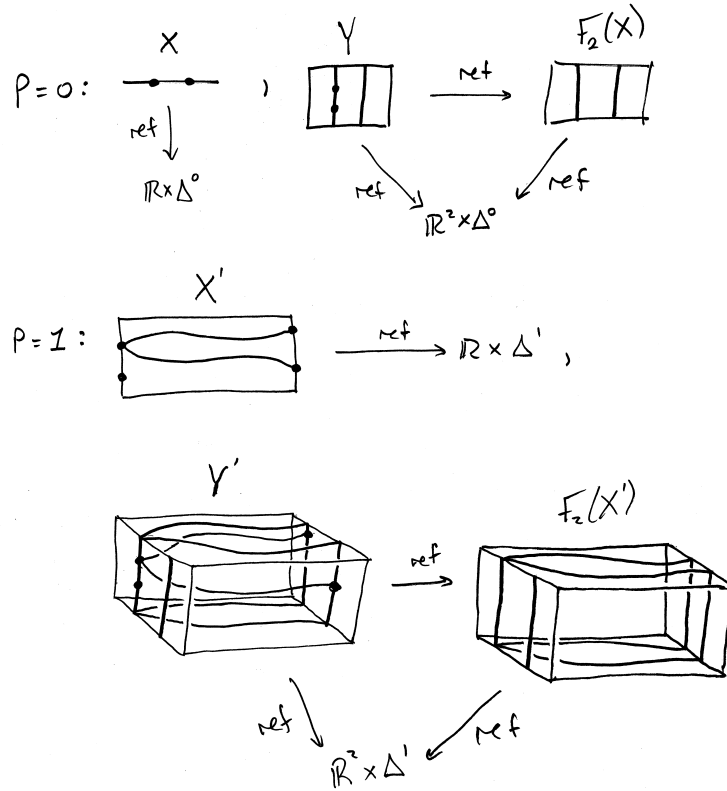


FIGURE 5. A $[0]$ -point and a $[1]$ -point in $\widetilde{\mathcal{R}ef}(\mathbb{R}^2)$.

Lemma 2.1.3. For each integer $n \geq 1$ and $1 \leq k \leq n - 1$, there is a canonical functor

$$\text{pr}_k : \widetilde{\mathcal{R}ef}(\mathbb{R}^n) \longrightarrow \widetilde{\mathcal{R}ef}(\mathbb{R}^k)$$

induced by projection from \mathbb{R}^n onto the first k -coordinates. The functor is given by, for each $[p] \in \Delta$, assigning to the $[p]$ -point

$$\begin{array}{ccc} Y & \xrightarrow{\text{ref}} & F_n(X) \\ & \searrow \text{ref} & \downarrow \text{ref} \\ & & \mathbb{R}^n \times \Delta^p \end{array}$$

the refinement

$$\begin{array}{ccc} \left(\text{pr}_{<k+1} \times \text{Id}_{\Delta^p} \left(\text{sk}_{n-k}^{\text{fib}}(Y) \right) \subset \cdots \subset \text{pr}_{<k+1} \times \text{Id}_{\Delta^p} \left(\text{sk}_{n-1}^{\text{fib}}(Y) \right) \subset \mathbb{R}^k \times \Delta^p \right) & \xrightarrow{\text{ref}} & F_k(X) \\ & \searrow \text{ref} & \downarrow \text{ref} \\ & & \mathbb{R}^k \times \Delta^p \end{array}$$

the value of which is the coarsest refinement of $\mathbb{R}^k \times \Delta^p$ for which the embeddings from $\text{pr}_{<k+1} \left(\text{sk}_i^{\text{fib}}(Y) \right)$ into $\mathbb{R}^k \times \Delta^p$ for each $n-k \leq i \leq n-1$ are proper and constructible. We denote such a value by

$$\begin{array}{ccc} Y_k & \xrightarrow{\text{ref}} & F_k(X) \\ & \searrow \text{ref} & \downarrow \text{ref} \\ & & \mathbb{R}^k \times \Delta^p \end{array}$$

Before we proceed with the proof, we provide a sketch of the values of an object in $\widetilde{\mathcal{R}ef}(\mathbb{R}^3)$ under pr_2 and pr_1 in Figure 6.

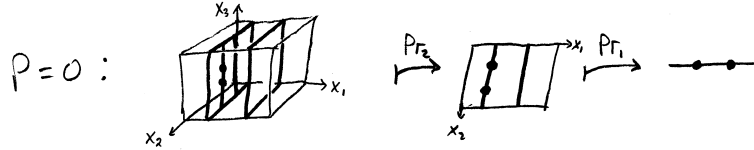


FIGURE 6. The values of a $[0]$ -point of $\widetilde{\mathcal{R}ef}(\mathbb{R}^3)$ under pr_2 and pr_1 .

Proof of Lemma 2.1.3. We proceed by induction on k . For the base case, let $k = 1$. Recall the definition of $\mathcal{R}ef(\mathbb{R}^n)$ as the pullback (16). Observe that the target $\mathcal{R}ef^0(\mathbb{R})$ of the leftmost vertical functor of (16) is, by definition, $\widetilde{\mathcal{R}ef}(\mathbb{R})$. We claim that pr_1 is precisely this functor upon restricting the domain to $\widetilde{\mathcal{R}ef}(\mathbb{R}^n)$. To verify this claim, first note that the functor in (16), by virtue of $\widetilde{\mathcal{R}ef}(\mathbb{R}^n)$ being a pullback, is given by the assignment, for each $[p] \in \Delta$,

$$\begin{array}{ccc} Y & \xrightarrow{\text{ref}} & F_n(X) \\ & \searrow \text{ref} & \downarrow \text{ref} \\ & & \mathbb{R}^n \times \Delta^p \end{array} \longmapsto X \xrightarrow{\text{ref}} \mathbb{R} \times \Delta^p$$

Therefore, we must show that the value of such a $[p]$ -point under pr_1 ,

$$\begin{array}{ccc} Y_1 & \xrightarrow{\text{ref}} & F_1(X) \\ & \searrow \text{ref} & \downarrow \text{ref} \\ & & \mathbb{R} \times \Delta^p \end{array}$$

is $(X \xrightarrow{\text{ref}} \mathbb{R} \times \Delta^p)$. Recall that (as a technicality) F_1 was previously defined to be the identity on $\mathcal{R}\text{ef}^0(\mathbb{R})$. Thus, we need to verify that Y_1 and X are equivalent refinements of $\mathbb{R} \times \Delta^p$. By virtue of being a $[p]$ -point of $\widetilde{\mathcal{R}\text{ef}}(\mathbb{R}^n)$, the fiberwise $(n-1)$ -skeleton of Y refines the fiberwise $(n-1)$ -skeleton of $F_n(X)$. This means that, in particular, the underlying topological spaces of the $(n-1)$ -skeletons of Y and $F_n(X)$ are homeomorphic. Thus, their projections onto the first Euclidean coordinate product with the identity on Δ^p

$$(18) \quad \text{pr}_{<2} \times \text{Id}_{\Delta^p} \left(\text{sk}_{n-1}^{\text{fib}}(Y) \right) \cong \text{pr}_{<2} \left(\text{sk}_{n-1}^{\text{fib}}(F_n(X)) \right)$$

are homeomorphic subspaces of $\mathbb{R} \times \Delta^p$ over Δ^p . This simply means that the fibers of each over the same point in Δ^p have the same cardinality.

Previously we observed that explicitly $F_n(X)$ is the coarsest refinement

$$(\text{pr}_{<2} \times \text{Id}_{\Delta^p})^{-1} \left(\text{sk}_0^{\text{fib}}(X) \right) \subset \mathbb{R}^n \times \Delta^p$$

of $\mathbb{R}^n \times \Delta^p$ for which the embedding from $(\text{pr}_{<2} \times \text{Id}_{\Delta^p})^{-1} \left(\text{sk}_0^{\text{fib}}(X) \right)$ is proper and constructible.

This means that the fiberwise $(n-1)$ -skeleton of $F_n(X)$ is $(\text{pr}_{<2} \times \text{Id}_{\Delta^p})^{-1} \left(\text{sk}_0^{\text{fib}}(X) \right)$. Thus, the projection of the $(n-1)$ -skeleton onto the first Euclidean coordinate product with the identity on Δ^p is simply the fiberwise 0-skeleton of X , i.e.,

$$\text{pr}_{<2} \times \text{Id}_{\Delta^p} \left(\text{sk}_{n-1}^{\text{fib}}(F_n(X)) \right) = \text{sk}_0^{\text{fib}}(X).$$

Therefore, through equivalence (18), the fiberwise 0-skeleton of X is homeomorphic to

$$\text{pr}_{<2} \times \text{Id}_{\Delta^p} \left(\text{sk}_{n-1}^{\text{fib}}(Y) \right).$$

Upon making the (somewhat trivial) observation that $(X \xrightarrow{\text{ref}} \mathbb{R} \times \Delta^p)$ has the explicit description as the coarsest refinement $(\text{sk}_0^{\text{fib}}(X) \subset \mathbb{R} \times \Delta^p)$ of $\mathbb{R} \times \Delta^p$ for which the embedding from the fiberwise 0-skeleton of X is proper and constructible, we conclude that

$$Y_1 := \left(\text{pr}_{<2} \left(\text{sk}_{n-1}^{\text{fib}}(Y) \right) \subset \mathbb{R} \times \Delta^p \right)$$

is equivalent to X as a refinement of $\mathbb{R} \times \Delta^p$, which proves the base case.

For the inductive step we need to check that the value

$$(19) \quad \begin{array}{ccc} Y_k & \xrightarrow{\text{ref}} & F_k(X) \\ & \searrow \text{ref} & \downarrow \text{ref} \\ & & \mathbb{R}^k \times \Delta^p \end{array}$$

is in fact a $[p]$ -value in $\widetilde{\mathcal{R}\text{ef}}(\mathbb{R}^k)$. Thus, we must verify three things:

- (a) Y_k refines $F_k(X)$,
 - (b) the $(k-1)$ -skeleton of the open cylinder of $(Y_k \xrightarrow{\text{ref}} F_k(X))$ is a refinement, and
 - (c) the fiber of the stratified projection map $Y_k \xrightarrow{\text{pr}_{<2}} X$ over each point in the 0-skeleton of X is an object in $\widetilde{\mathcal{R}\text{ef}}(\mathbb{R}^{k-1})$.
- (a) Recall that $F_n(X)$ is the coarsest refinement

$$(\text{pr}_{<2} \times \text{Id}_{\Delta^p})^{-1} \left(\text{sk}_0^{\text{fib}}(X) \right) \subset \mathbb{R}^n \times \Delta^p$$

of $\mathbb{R}^n \times \Delta^p$ for which the embedding from $(\text{pr}_{<2} \times \text{Id}_{\Delta^p})^{-1} \left(\text{sk}_0^{\text{fib}}(X) \right)$ is proper and constructible. Projection of $F_n(X)$ onto its first k Euclidean coordinates (product with the identity on Δ^p) yields

an explicit description

$$(20) \quad F_k(X) = \left(\text{pr}_{<k+1} \times \text{Id}_{\Delta^p} \left(\text{sk}_{n-1}^{\text{fib}}(F_n(X)) \right) \right) \subset \mathbb{R}^k \times \Delta^p$$

which denotes the coarsest refinement of $\mathbb{R}^k \times \Delta^p$ for which the embedding from

$$\text{pr}_{<k+1} \times \text{Id}_{\Delta^p} \left(\text{sk}_{n-1}^{\text{fib}}(F_n(X)) \right)$$

is proper and constructible. By definition of a $[p]$ -point of $\widetilde{\mathcal{R}\text{ef}}(\mathbb{R}^n)$,

$$\begin{array}{ccc} Y & \xrightarrow{\text{ref}} & F_n(X) \\ & \searrow \text{ref} & \downarrow \text{ref} \\ & & \mathbb{R}^n \times \Delta^p \end{array}$$

satisfies that the fiberwise $(n-1)$ -skeleton of Y is a refinement of the fiberwise $(n-1)$ -skeleton of $F_n(X)$. In particular Then the underlying topological spaces of the $(n-1)$ -skeletons are homeomorphic. Thus, so are their projections onto the first k Euclidean coordinates (product with the identity on Δ^p), i.e.,

$$(21) \quad \text{pr}_{<k+1} \times \text{Id}_{\Delta^p} \left(\text{sk}_{n-1}^{\text{fib}}(Y) \right) \cong \text{pr}_{<k+1} \times \text{Id}_{\Delta^p} \left(\text{sk}_{n-1}^{\text{fib}}(F_n(X)) \right).$$

By definition, Y_k refines the coarsest refinement

$$\text{pr}_{<k+1} \times \text{Id}_{\Delta^p} \left(\text{sk}_{n-1}(Y) \right) \subset \mathbb{R}^k \times \Delta^p$$

of $\mathbb{R}^k \times \Delta^p$ for which the embedding from $\text{pr}_{<k+1} \times \text{Id}_{\Delta^p} \left(\text{sk}_{n-1}(Y) \right)$ is proper and constructible. Thus, through the equivalences (20) and (21) above, we conclude that Y_k refines $F_k(X)$.

(b) By definition, the fiberwise $(k-1)$ -skeleton of Y_k is a refinement of $\text{pr}_{<k+1} \times \text{Id}_{\Delta^p} \left(\text{sk}_{n-1}^{\text{fib}}(Y) \right)$. Through equivalences (20) and (21), the fiberwise $(k-1)$ -skeleton of Y_k refines the fiberwise $(k-1)$ -skeleton of $F_k(X)$. That is to say, the refinement $\left(Y_k \xrightarrow{\text{ref}} F_k(X) \right)$ of stratified spaces restricts to a refinement $\left(\text{sk}_{k-1}(Y_k) \xrightarrow{\text{ref}} \text{sk}_{k-1}(F_k(X)) \right)$ of stratified spaces between the $(k-1)$ -skeletons. Thus, the $(k-1)$ -skeleton of the open cylinder of $\left(Y_k \xrightarrow{\text{ref}} F_k(X) \right)$ is a refinement morphism in $\mathcal{B}\text{un}$.

(c) The fiber of $Y_k \xrightarrow{\text{pr}_{<2}} X$ over a point in the 0-skeleton of X can, by definition of Y_k , be described in terms of projection of the fiber of $Y \xrightarrow{\text{pr}_{<2}} X$ over the same point as follows: Let x be a point in the 0-skeleton of X and let Y_x denote the fiber over x in Y . The fiber over x in Y_k is

$$(Y_k)_x := \left(\text{pr}_{<k} \times \text{Id}_{\Delta^p} \left(\text{sk}_{n-k}^{\text{fib}}(Y_x) \right) \subset \cdots \subset \text{pr}_{<k} \times \text{Id}_{\Delta^p} \left(\text{sk}_{n-2}^{\text{fib}}(Y_x) \right) \subset \mathbb{R}^{k-1} \right) \xrightarrow{\text{ref}} \mathbb{R}^{k-1}$$

which denotes the coarsest refinement of \mathbb{R}^{k-1} for which the embedding from $\text{pr}_{<k} \times \text{Id}_{\Delta^p} \left(\text{sk}_i(Y_x) \right)$ into \mathbb{R}^{k-1} , for each $n-k \leq i \leq n-2$, is proper and constructible. By definition, $(Y_k)_x$ is the value of Y_x under the projection functor $\widetilde{\mathcal{R}\text{ef}}(\mathbb{R}^{n-1}) \xrightarrow{\text{pr}_{k-1}} \widetilde{\mathcal{R}\text{ef}}(\mathbb{R}^{k-1})$, which exists by the inductive step, and therefore identifies $(Y_k)_x$ as an object in $\widetilde{\mathcal{R}\text{ef}}(\mathbb{R}^{k-1})$, as desired. \square

Observation 2.1.4. There is a natural functor

$$\widetilde{\mathcal{R}\text{ef}}(\mathbb{R}^n) \longrightarrow \text{Fun}(\{1 < \cdots < n\}, \text{Fin}^{\text{op}})$$

the value of which on an object

$$\begin{array}{ccc} Y & \xrightarrow{\text{ref}} & F_n(X) \\ & \searrow \text{ref} & \downarrow \text{ref} \\ & & \mathbb{R}^n \end{array}$$

is the functor from $\{1 < \dots < n\}$ to \mathbf{Fin}^{op} that selects out the sequence

$$\mathbf{sk}_0^{\text{fib}}(Y) \xrightarrow{\text{pr}_{<n}} \mathbf{sk}_0^{\text{fib}}(Y_{n-1}) \rightarrow \dots \xrightarrow{\text{pr}_{<2}} \mathbf{sk}_0^{\text{fib}}(X)$$

of finite sets.

The value on a morphism

$$\begin{array}{ccc} Y & \xrightarrow{\text{ref}} & F_n(X) \\ & \searrow \text{ref} & \downarrow \text{ref} \\ & & \mathbb{R}^n \times \Delta^1 \end{array}$$

is given by selecting out the diagram

$$\begin{array}{ccc} \mathbf{sk}_0^{\text{fib}}(Y_{|1}) & \longrightarrow & \mathbf{sk}_0^{\text{fib}}(Y_{|0}) \\ \text{pr}_{<n} \downarrow & & \downarrow \text{pr}_{<n} \\ \mathbf{sk}_0^{\text{fib}}((Y_{n-1})_{|1}) & \longrightarrow & \mathbf{sk}_0^{\text{fib}}((Y_{n-1})_{|0}) \\ \downarrow & & \downarrow \\ \vdots & & \vdots \\ \text{pr}_{<2} \downarrow & & \downarrow \text{pr}_{<2} \\ \mathbf{sk}_0^{\text{fib}}((X)_{|1}) & \longrightarrow & \mathbf{sk}_0^{\text{fib}}((X)_{|0}) \end{array}$$

among finite sets, where for each $1 \leq k \leq n$, the horizontal arrow is from the (0)-skeleton of the fiber of $Y_k \rightarrow \Delta^1$ over $\{1\} \in \Delta^1$ to the (0)-skeleton of the fiber of $Y_k \rightarrow \Delta^p$ over $\{0\} \in \Delta^1$, and is a canonical map of sets implemented by taking connected components of the fiberwise (0)-skeleton of X .

Lemma 2.1.5. *There is a canonical equivalence of simplicial spaces*

$$\widetilde{\mathcal{R}\text{ef}}(\mathbb{R}^n) \simeq \text{Exit}(\text{Ran}^u(\mathbb{R}^n))$$

over $\text{Fun}(\{1 < \dots < n\}, \mathbf{Fin}^{\text{op}})$.

Proof. A rightward morphism is implemented for each $[p] \in \mathbf{\Delta}$ by the assignment

$$\begin{array}{ccccccc} & & \mathbf{sk}_0(Y) & \hookrightarrow & Y & \longrightarrow & \mathbb{R}^n \times \Delta^p \\ & & \text{pr}_{<n} \times \text{Id}_{\Delta^p} \downarrow & & & & \downarrow \text{pr}_{<n} \times \text{Id}_{\Delta^p} \\ Y & \xrightarrow{\text{ref}} & F_n(X) & \hookrightarrow & \mathbf{sk}_0(Y_{n-1}) & \hookrightarrow & Y_{n-1} \longrightarrow \mathbb{R}^{n-1} \times \Delta^p \\ & \searrow \text{ref} & \downarrow \text{ref} & & \downarrow & & \downarrow \\ & & \mathbb{R}^n \times \Delta^p & & \vdots & & \vdots \\ & & \text{pr}_{<2} \times \text{Id}_{\Delta^p} \downarrow & & & & \downarrow \text{pr}_{<2} \times \text{Id}_{\Delta^p} \\ & & \mathbf{sk}_0(X) & \hookrightarrow & X & \longrightarrow & \mathbb{R} \times \Delta^p \end{array}$$

whose value is the sequence of embeddings over Δ^p , each of which is from the fiberwise (0)-skeleton of the value Y_k of Y under the functor pr_k (Lem. 2.1.3), which maps to Δ^p as a finite proper constructible bundle.

A leftward morphism is given by assigning to each $[p]$ -point

$$\begin{array}{ccc}
\text{cylr}(\sigma_n) & \longleftarrow & \mathbb{R}^n \times \Delta^p \\
\downarrow & & \downarrow \text{pr}_{<n} \times \text{Id}_{\Delta^p} \\
\text{cylr}(\sigma_{n-1}) & \longleftarrow & \mathbb{R}^{n-1} \times \Delta^p \\
\downarrow & & \downarrow \\
\vdots & & \vdots \\
\downarrow & & \downarrow \text{pr}_{<2} \times \text{Id}_{\Delta^p} \\
\text{cylr}(\sigma_1) & \longrightarrow & \mathbb{R} \times \Delta^p
\end{array}$$

the refinement

$$(\text{cylr}(\sigma_n) \subset (\text{pr}_{<n} \times \text{Id}_{\Delta^p})^{-1}(\text{cylr}(\sigma_{n-1})) \subset \cdots \subset (\text{pr}_{<2} \times \text{Id}_{\Delta^p})^{-1}(\text{cylr}(\sigma_1)) \subset \mathbb{R}^n \times \Delta^p) \rightarrow \mathbb{R}^n \times \Delta^p$$

whose value is the coarsest refinement of $\mathbb{R}^n \times \Delta^p$ for which the embeddings from $\text{cylr}(\sigma_n)$ and each prevalue $(\text{pr}_{<i} \times \text{Id}_{\Delta^p})^{-1}(\text{cylr}(\sigma_{i-1}))$ for $2 \leq i \leq n$ are proper and constructible. (Such a refinement exists because the value of each embedding is, by definition, a properly embedded stratified subspace.)

It is straightforward to verify that these two assignments are mutually inverse to one another, and further, that they are over $\text{Fun}(\{1 < \cdots < n\}, \text{Fin}^{\text{op}})$. Furthermore, it is evident that the structure maps are equivalent. \square

Proof of Proposition 2.1.1. The simplicial space $\widetilde{\text{Ref}}(\mathbb{R}^n)$ is a pullback of complete Segal spaces and is also, therefore, a complete Segal space, since the full ∞ -subcategory of simplicial spaces consisting of the complete Segal spaces is closed under formation of pullbacks. By virtue of $\text{Ref}(\mathbb{R}^n)$ being a full subsimplicial space of $\widetilde{\text{Ref}}(\mathbb{R}^n)$, it too satisfies the Segal and completeness conditions. Through the equivalence of Lemma 2.1.5, then so does the simplicial space $\text{Exit}(\text{Ran}^u(\mathbb{R}^n))$. \square

3. PART 1 OF THE PROOF OF THE MAIN RESULT

The goal of this section is to prove that the ∞ -category $\text{Exit}(\text{Ran}^u(\mathbb{R}^n))$ is equivalent to the category Θ_n^{act} . This result is the first step in proving Theorem 1.2.1. We start by constructing the functor between them.

Lemma 3.0.1. *For $n \geq 1$, there is a functor of ∞ -categories*

$$G_n : \text{Exit}(\text{Ran}^u(\mathbb{R}^n)) \rightarrow \Theta_n^{\text{act}}$$

over $\text{Fun}(\{1 < \cdots < n\}, \text{Fin}^{\text{op}})$.

Note 3.0.2. A functor from an ∞ -category to the nerve of a (small) category is completely determined by its assignment on objects, morphisms and the requirement that composition is respected. This is due to the fact that the nerve of a small category is completely determined by its values on $[i]$ for $0 \leq i \leq 2$. (See the proof of Lemma 3.5 in [14] for more details.) Since Θ_n^{act} is an ordinary category, we need only define G_n on objects and morphisms and check that composition is respected.

Proof. We proceed by induction on n . For the base case $n = 1$, we seek to define a functor G_1

$$\begin{array}{ccc}
\text{Exit}(\text{Ran}^u(\mathbb{R})) & \overset{G_1}{\dashrightarrow} & \Delta^{\text{act}} \\
\searrow \phi_1 & & \downarrow \gamma_1 \\
& & \text{Fin}^{\text{op}}
\end{array}$$

contravariantly over finite sets.

Let $S \xrightarrow{e} \mathbb{R}$ be an object in $\text{Exit}(\text{Ran}^u(\mathbb{R}))$. The value of G_1 on e is the linearly ordered set of connected components of the complement of $e(S)$ in \mathbb{R}

$$G_1 : e \mapsto \pi_o(\mathbb{R} - e(S))$$

the linear order of which is inherited from the linear order on \mathbb{R} .

Let $\text{cylr}(T \xrightarrow{\sigma} S) \xrightarrow{E} \mathbb{R} \times \Delta^1$ be a morphism from $S \xrightarrow{e} \mathbb{R}$ to $T \xrightarrow{d} \mathbb{R}$ in $\text{Exit}(\text{Ran}^u(\mathbb{R}))$. Let C_E denote the compliment of the image of the embedding of E ,

$$C_E := (\mathbb{R} \times \Delta^1) - E(\text{cylr}(\sigma)).$$

Before we name the value of G_1 on E , we need three observations:

1. Consider the inclusion $\iota_1 : (\mathbb{R} - d(T)) \hookrightarrow C_E$ given by $x \mapsto (x, \{1\})$. Taking connected components induces an inclusion of sets

$$\pi_o(\iota_1) : \pi_o(\mathbb{R} - d(T)) \hookrightarrow \pi_o(C_E).$$

It is easy to see that $\pi_o(\iota_1)$ is, in particular, a bijection. We denote its inverse $\pi_o(\iota_1)^{-1}$.

2. Taking connected components of the inclusion $\iota_0 : (\mathbb{R} - e(S)) \hookrightarrow C_E$ given by $x \mapsto (x, \{0\})$ induces a map between sets

$$\pi_o(\iota_0) : \pi_o(\mathbb{R} - e(S)) \hookrightarrow \pi_o(C_E).$$

Note that $\pi_o(\iota_0)$ is not necessarily injective nor surjective because σ is not necessarily injective nor surjective.

3. $\pi_o(\iota_1)$ determines a linear order on $\pi_o(C_E)$ and thus, $\pi_o(C_E)$ is an object in Δ .

The value of G_1 on $\text{cylr}(T \xrightarrow{\sigma} S) \xrightarrow{E} \mathbb{R} \times \Delta^1$ is defined to be the composite

$$(22) \quad \begin{array}{ccc} \pi_o(\mathbb{R} - e(S)) & \xrightarrow{\pi_o(\iota_0)} & \pi_o(C_E) \\ \downarrow G_1(E) & \swarrow \pi_o(\iota_1)^{-1} & \\ \pi_o(\mathbb{R} - d(T)) & & \end{array}$$

in Δ^{act} .

It must be checked that $G_1(E)$ is linear and active. We do this by verifying that each morphism in the composite is linear and active. $\pi_o(\iota_1)^{-1}$ is a linear map because it defines the linear order of $\pi_o(C_E)$. Bijectivity of $\pi_o(\iota_1)^{-1}$ implies that it is active. Similarly, it is easy to see that $\pi_o(\iota_0)$ is order-preserving and sends unbounded components to unbounded components thereby being active.

Next we show that G_1 respects composition by showing that the diagram of ∞ -categories

$$(23) \quad \begin{array}{ccc} \text{Exit}(\text{Ran}^u(\mathbb{R})) & \xrightarrow{G_1} & \Delta^{\text{act}} \\ \searrow \phi_1 & & \downarrow \gamma_1 \\ & & \text{Fin}^{\text{op}} \end{array}$$

commutes on the level of objects and morphisms. Indeed, if (23) commutes, then faithfulness of γ_1 together with functorality of ϕ_1 guarantee that G_1 respects composition. More precisely, let

$$(24) \quad \begin{array}{ccc} a & \xrightarrow{f} & b \\ & \searrow h & \downarrow g \\ & & c \end{array}$$

denote a commutative triangle in $\text{Exit}(\text{Ran}^u(\mathbb{R}))$. We show that if (23) commutes, then G_1 carries the composite h in (24) to $G_1(g) \circ G_1(f)$. First, note that functorality of ϕ_1 implies that $\phi_1(h) =$

$\phi_1(g) \circ \phi_1(f)$. Commutativity of (23) guarantees that the morphisms

$$\gamma_1(G_1(h)), \gamma_1(G_1(f)) \text{ and } \gamma_1(G_1(g))$$

are equivalent (up to composition with canonical isomorphisms) to

$$\phi_1(h), \phi_1(f) \text{ and } \phi_1(g)$$

respectively, in Fin . Thus,

$$\gamma_1(G_1(h)) = \gamma_1(G_1(g)) \circ \gamma_1(G_1(f)) = \gamma_1(G_1(g) \circ G_1(f)).$$

Then faithfulness of γ_1 guarantees that $G_1(h) = G_1(g) \circ G_1(f)$, as desired.

Now we verify commutativity of (23) on objects and morphisms. Let $S \xrightarrow{e} \mathbb{R}$ be an object in $\text{Exit}(\text{Ran}^u(\mathbb{R}))$. There is a canonical bijection of sets

$$(25) \quad \gamma_1(G_1(e)) \xrightarrow{\cong} \phi_1(e) := S$$

in Fin given by

$$\left(\pi_o(\mathbb{R} - e(S)) \xrightarrow{\alpha} [1] \right) \mapsto \inf \left\{ x \in \prod_{U \in \alpha^{-1}(\{1\})} U \right\}$$

verifying commutativity of (23) on objects.

Let $\text{cylr}(T \xrightarrow{\sigma} S) \xrightarrow{E} \mathbb{R} \times \Delta^1$ be a morphism from $S \xrightarrow{e} \mathbb{R}$ to $T \xrightarrow{d} \mathbb{R}$ in $\text{Exit}(\text{Ran}^u(\mathbb{R}))$. We consider the canonical bijections of the source and target of $\gamma_1(G_1(E))$, and the corresponding composite, α , in Fin from T to S :

$$(26) \quad \begin{array}{ccc} \gamma_1(G_1(d)) & \xrightarrow{\gamma_1(G_1(E))} & \gamma_1(G_1(e)) \\ \cong \uparrow & & \cong \downarrow \\ T & \xrightarrow{\alpha} & S. \end{array}$$

By definition, the value of α on $r \in T$ is

$$\alpha(r) := \inf \left\{ x \in \prod_{U \in S^r} U \right\}$$

where $S^r := \{U \in \pi_0(\mathbb{R} - e(S)) \mid \inf\{y \in G_1(E)(U)\} \geq r\}$. The composite α agrees with $\phi_1(E) := \sigma$, as desired. Indeed, if $U \in S^r$, then

$$\inf\{x \in U\} = \sigma(r) \text{ or } \inf\{x \in U\} = \sigma(r'),$$

for some $r' > r$. But $\sigma(r') \geq \sigma(r)$ whenever $r' > r$, which implies

$$\inf \left\{ x \in \prod_{U \in S^r} U \right\} = \sigma(r).$$

In summary, we have shown that (23) commutes on objects and morphisms, which, as previously argued, implies that G_1 respects composition. Therefore, G_1 is a functor, and moreover is defined naturally over Fin^{op} .

By induction we assume the existence of G_{n-1} in the following diagram:

$$\begin{array}{ccc} \text{Exit}(\text{Ran}^u(\mathbb{R}^{n-1})) & \xrightarrow{G_{n-1}} & \Theta_{n-1}^{\text{act}} \\ & \searrow \Phi_{n-1} & \downarrow \tau_{n-1} \\ & & \text{Fun}(\{1 < \dots < n-1\}, \text{Fin}^{\text{op}}). \end{array}$$

In particular, this implies that G_{n-1} is over Fin^{op} for each $1 \leq i \leq n-1$. In other words the following diagram commutes

$$(27) \quad \begin{array}{ccc} \text{Exit}(\text{Ran}^u(\mathbb{R}^{n-1})) & \xrightarrow{G_{n-1}} & \Theta_{n-1}^{\text{act}} \\ & \searrow \phi_i & \downarrow \text{tr}_i \\ & & \Theta_i^{\text{act}} \\ & & \downarrow \gamma_i \\ & & \text{Fin}^{\text{op}} \end{array}$$

for each $1 \leq i \leq n-1$. Recall that tr_i denotes the $(n-1-i)$ -fold self-composite of the truncation map tr (Obs. C.1.5).

We take advantage of the definition of Θ_n^{act} as a pullback (Def. C.1.3) and define G_n by defining Ψ and Γ such that the following diagram of ∞ -categories

$$\begin{array}{ccc} \text{Exit}(\text{Ran}^u(\mathbb{R}^n)) & & \\ \downarrow \Gamma & \searrow G_n & \downarrow \Psi \\ \Theta_1^{\text{act}} & \longrightarrow & \Theta_n^{\text{act}} \longrightarrow \text{Fin}^{\text{op}} \wr \Theta_{n-1}^{\text{act}} \\ & & \downarrow \text{frgt} \\ & & \text{Fin}^{\text{op}} \end{array}$$

commutes. Γ is defined to be the composite of the forgetful functor ρ followed by G_1 , $G_1 \circ \rho$, where ρ is the functor from Observation 2.0.10 which forgets all but the first coordinate data.

Ψ is defined to be the composite of the functor

$$\text{Exit}(\text{Ran}^u(\mathbb{R}^n)) \xrightarrow{\pi} \text{Fin}^{\text{op}} \wr \text{Exit}(\text{Ran}^u(\mathbb{R}^{n-1}))$$

from Observation 2.0.11, followed by the functor

$$\text{Fin}^{\text{op}} \wr \text{Exit}(\text{Ran}^u(\mathbb{R}^{n-1})) \rightarrow \text{Fin}^{\text{op}} \wr \Theta_{n-1}^{\text{act}}$$

determined by the identity on Fin^{op} and the functor G_{n-1} assumed by the inductive hypothesis. Thus, G_n is a well-defined functor.

Unwinding the above definition of G_n , an inductive description of G_n is apparent. We explicate this inductive description on objects and morphisms as follows. Let $\underline{S} \xrightarrow{e} \mathbb{R}^n$ be an object in $\text{Exit}(\text{Ran}^u(\mathbb{R}^n))$. Its value under G_n is inductively defined as

$$G_n(\underline{S} \xrightarrow{e} \mathbb{R}^n) := G_1(S_1 \xrightarrow{e_1} \mathbb{R}) \left(G_{n-1} \left((\underline{S})_s \xrightarrow{e_{|(\underline{S})_s}} \mathbb{R}^{n-1} \right) \right)$$

where $(\underline{S})_s \xrightarrow{e_{|(\underline{S})_s}} \mathbb{R}^{n-1}$ denotes the image of an object (14) in $\text{Exit}(\text{Ran}^u(\mathbb{R}^{n-1}))$ under π .

Let $\text{cylr}(\underline{T} \xrightarrow{\sigma} \underline{S}) \xrightarrow{E} \mathbb{R}^n \times \Delta^1$ be a morphism from $\underline{S} \xrightarrow{e} \mathbb{R}^n$ to $\underline{T} \xrightarrow{d} \mathbb{R}^n$ in $\text{Exit}(\text{Ran}^u(\mathbb{R}^n))$. Its value under G_n is inductively defined by

- the morphism $G_1(S_1 \xrightarrow{e_1} \mathbb{R}) \xrightarrow{G_1(\text{cylr}(\sigma_1) \xrightarrow{E_1} \mathbb{R} \times \Delta^1)} G_1(T_1 \xrightarrow{d_1} \mathbb{R})$ in Δ^{act}
- for each pair $(t \in T_1, s \in S_1)$ such that $\sigma_1(t) = s$, the morphism given by the image of (14) under G_{n-1} in $\Theta_{n-1}^{\text{act}}$.

Next we will show that for each $1 \leq i \leq n$, the diagram of ∞ -categories

$$(28) \quad \begin{array}{ccc} \mathrm{Exit}(\mathrm{Ran}^u(\mathbb{R}^n)) & \xrightarrow{G_n} & \Theta_n^{\mathrm{act}} \\ & \searrow \phi_i & \downarrow \mathrm{tr}_i \\ & & \Theta_i^{\mathrm{act}} \\ & & \downarrow \gamma_i \\ & & \mathrm{Fin}^{\mathrm{op}} \end{array}$$

commutes. For the cases $1 \leq i \leq n-1$, this diagram follows by the inductive hypothesis wherein we assume commutativity of (27). For the remaining case, $i = n$, we use the inductive definitions of G_n and γ_n in terms of G_1 and G_{n-1} , and γ_1 and γ_{n-1} , respectively. Then indeed, in employing the commutativity of (23) and (27) for $i = n-1$, we see that for the case $i = n$, (28) must commute. Through Observation 2.0.8 wherein the functor Φ_n was defined in terms of ϕ_i for $1 \leq i \leq n$, commutativity of this diagram for each $1 \leq i \leq n$ compiles to prove that G_n is over $\mathrm{Fun}(\{1 < \dots < n\}, \mathrm{Fin}^{\mathrm{op}})$, completing the proof. \square

Next we show that G_n from Lemma 3.0.1 is an equivalence of ∞ -categories.

Theorem 3.0.3. *For each $n \geq 1$, the functor*

$$G_n : \mathrm{Exit}(\mathrm{Ran}^u(\mathbb{R}^n)) \xrightarrow{\simeq} \Theta_n^{\mathrm{act}}$$

over $\mathrm{Fun}(\{1 < \dots < n\}, \mathrm{Fin}^{\mathrm{op}})$ is an equivalence of ∞ -categories.

Proof. We proceed by induction on n . For the base case $n = 1$ we show that G_1 is essentially surjective and fully faithful – the former follows easily. Let $[p] \in \Delta^{\mathrm{act}}$. Define the set $T_p := \{1, 2, \dots, p\}$ together with the object $T_p \xrightarrow{d} \mathbb{R}$ in $\mathrm{Exit}(\mathrm{Ran}^u(\mathbb{R}))$, given by $i \mapsto i$. Then $[p]$ is isomorphic to $G_1(T_p) := \pi_o(\mathbb{R} - d(T_p))$ in Δ , with the isomorphism given by $i \mapsto \left[i + \frac{1}{2} \right]$.

Fix a pair of objects $S \xrightarrow{e} \mathbb{R}$ and $T \xrightarrow{d} \mathbb{R}$ in $\mathrm{Exit}(\mathrm{Ran}^u(\mathbb{R}))$. Showing fully faithfulness of G_1 amounts to showing that the map induced by G_1 between corresponding hom-spaces

$$(29) \quad \mathrm{Hom}_{\mathrm{Exit}(\mathrm{Ran}^u(\mathbb{R}))}(e, d) \xrightarrow{G_1} \mathrm{Hom}_{\Delta^{\mathrm{act}}}(\pi_o(\mathbb{R} - e(S)), \pi_o(\mathbb{R} - d(T)))$$

is a surjection on connected components with contractible fibers. Fix a morphism

$$\pi_o(\mathbb{R} - e(S)) \xrightarrow{\varphi} \pi_o(\mathbb{R} - d(T))$$

in Δ^{act} . Any morphism

$$(30) \quad \mathrm{cylr}\left(T \xrightarrow{\gamma_1(\varphi)} S\right) \xrightarrow{E} \mathbb{R} \times \Delta^1$$

in $\mathrm{Hom}_{\mathrm{Exit}(\mathrm{Ran}^u(\mathbb{R}))}(e, d)$ is in the fiber of G_1 over φ . Indeed, in Observation C.0.12 we saw that γ_1 is injective on hom-sets. Thus, commutativity of (23) guarantees that E is in the fiber of G_1 over φ . Hence, (29) is a surjection on connected components.

The fiber of (29) over φ is the topological space of embeddings $\mathrm{cylr}(\gamma_1 \circ \varphi) \xrightarrow{E} \mathbb{R} \times \Delta^1$ over Δ^1 such that $E|_S = e$ and $E|_{T \times \{1\}} = d$, which we denote by

$$G_1^{-1}(\varphi) \cong \mathrm{Emb}_{/\Delta^1}^{e,d}(\mathrm{cylr}(\gamma_1(\varphi)), \mathbb{R} \times \Delta^1)$$

under the compact-open topology. We want to show that this space is contractible. Fix an embedding \tilde{E} in the fiber of G_1 over φ . Let $\mathbb{S}^k \xrightarrow{\psi} G_1^{-1}(\varphi)$ be continuous and based at \tilde{E} . We construct a null-homotopy of ψ . For each $z \in \mathbb{S}^n$, denote the image of z under ψ by ψ_z . The straight-line homotopy, H_z , from ψ_z to \tilde{E} defined by

$$H_z(x, t) = (1-t)\psi_z(x) + t\tilde{E}(x)$$

names a path from ψ_z to \tilde{E} in $G_1^{-1}(\varphi)$. For each $z \in \mathbb{S}^k$, we let each path H_z run simultaneously to name a null-homotopy of ψ to the constant path at $\{\tilde{E}\}$. Explicitly, the null-homotopy $\mathbb{S}^k \times [0, 1] \rightarrow G_1^{-1}(\varphi)$ is given by $(z, t) \mapsto H_z(-, t)$.

For the inductive step we want to show that G_n is essentially surjective and fully faithful if G_{n-1} is. Let $[k](T_s)$ be an object in Θ_n^{act} . Because G_1 is essentially surjective, we may choose an object of $\text{Exit}(\text{Ran}^u(\mathbb{R}))$

$$(31) \quad \{1, \dots, k\} \xrightarrow{e} \mathbb{R}$$

in the fiber of G_1 over $[k]$. Likewise, by essential surjectivity of G_{n-1} , for each $s \in \{1, \dots, k\}$, we may choose an object of $\text{Exit}(\text{Ran}^u(\mathbb{R}^{n-1}))$ that is in the fiber of G_{n-1} over T_s :

$$(32) \quad \begin{array}{ccc} (S_{n-1})_s & \xleftarrow{(e_{n-1})_s} & \mathbb{R}^{n-1} \\ (\tau_{n-2})_s \downarrow & & \downarrow \text{pr}_{<n-1} \\ (S_{n-2})_s & \xleftarrow{(e_{n-2})_s} & \mathbb{R}^{n-2} \\ (\tau_{n-3})_s \downarrow & & \downarrow \text{pr}_{<n-2} \\ \vdots & & \vdots \\ (S_1)_s & \xleftarrow{(e_1)_s} & \mathbb{R}. \end{array}$$

The choices (31) and (32) for each s uniquely determine an object of $\text{Exit}(\text{Ran}^u(\mathbb{R}^n))$ that is in the fiber of G_n over $[k](T_s)$:

$$(33) \quad \begin{array}{ccc} \prod_{1 \leq s \leq k} (S_{n-1})_s & \xleftarrow{\coprod \{e(s)\} \times (e_{n-1})_s} & \mathbb{R} \times \mathbb{R}^{n-1} \\ \prod (\tau_{n-2})_s \downarrow & & \downarrow \text{pr}_{<n} \\ \prod_{1 \leq s \leq k} (S_{n-2})_s & \xleftarrow{\coprod \{e(s)\} \times (e_{n-2})_s} & \mathbb{R} \times \mathbb{R}^{n-2} \\ \prod (\tau_{n-3})_s \downarrow & & \downarrow \text{pr}_{<n-1} \\ \vdots & & \vdots \\ \prod_{1 \leq s \leq k} (S_1)_s & \xleftarrow{\coprod \{e(s)\} \times (e_1)_s} & \mathbb{R} \times \mathbb{R} \\ \prod \{s\} \downarrow & & \downarrow \text{pr}_{<2} \\ \{1, \dots, k\} & \xleftarrow{e} & \mathbb{R} \end{array}$$

where each map defined in terms of a coproduct is indexed over $1 \leq s \leq k$, and $\{e(s)\}$ and $\{s\}$ denote the constant maps at $e(s)$ and s , respectively.

Fix a pair of objects $\underline{T} \xrightarrow{d} \mathbb{R}^n$ and $\underline{S} \xrightarrow{e} \mathbb{R}^n$ in $\text{Exit}(\text{Ran}^u(\mathbb{R}^n))$. We show fully faithfulness of G_n by showing that the map induced by G_n between hom-spaces

$$(34) \quad \text{Hom}_{\text{Exit}(\text{Ran}^u(\mathbb{R}^n))}(\underline{e}, \underline{d}) \xrightarrow{G_n} \text{Hom}_{\Theta_n^{\text{act}}}(\underline{G}_n(\underline{e}), \underline{G}_n(\underline{d}))$$

is a surjection on connected components with contractible fibers. Fix a morphism

$$\underline{G}_n(\underline{e}) \xrightarrow{\varphi} \underline{G}_n(\underline{d})$$

in Θ_n^{act} . Using the inductive description of G_n , φ is given by:

- a morphism $G_1 \left(S_1 \xrightarrow{e_1} \mathbb{R} \right) \xrightarrow{\varphi_1} G_1 \left(T_1 \xrightarrow{d_1} \mathbb{R} \right)$ in Δ^{act}
- for each pair $(r \in T_1, s \in S_1)$ such that $\gamma_1(\varphi_1(r)) = s$, a morphism

$$G_{n-1} \left((S)_s \xrightarrow{e|(S)_s} \mathbb{R}^{n-1} \right) \xrightarrow{\varphi_r} G_{n-1} \left((T)_r \xrightarrow{d|(T)_r} \mathbb{R}^{n-1} \right)$$

in $\Theta_{n-1}^{\text{act}}$.

Using the base case and the inductive hypothesis, we define a morphism that is in the fiber of G_n over φ . By fullness of G_1 , we may choose a morphism in the fiber of G_1 over φ_1

$$(35) \quad \text{cylr}(\gamma_1(\varphi_1)) \xrightarrow{E_1} \mathbb{R} \times \Delta^1$$

which is defined over the map of finite sets $T_1 \xrightarrow{\gamma_1 \circ \varphi_1} S_1$.

By fullness of G_{n-1} as assumed by the inductive hypothesis, for each pair $(r \in T_1, s \in S_1)$ such that $\gamma_1(\varphi_1(r)) = s$, we may choose a morphism in the fiber of G_{n-1} over φ_r

$$(36) \quad \begin{array}{ccc} \text{cylr}(\gamma_{n-1} \circ \varphi_r) & \xleftarrow{(E_n)_r} & \mathbb{R}^{n-1} \times \Delta^1 \\ \downarrow & & \downarrow \text{pr}_{<n-1} \times \text{id}_{\Delta^1} \\ \text{cylr}(\gamma_{n-2} \circ \text{tr}_{n-2} \circ \varphi_r) & \xleftarrow{(E_{n-1})_r} & \mathbb{R}^{n-2} \times \Delta^1 \\ \downarrow & & \downarrow \text{pr}_{<n-2} \times \text{id}_{\Delta^1} \\ \vdots & & \vdots \\ \downarrow & & \downarrow \\ \text{cylr}(\gamma_1 \circ \text{tr}_1 \circ \varphi_r) & \xleftarrow{(E_2)_r} & \mathbb{R} \times \Delta^1 \end{array}$$

Note that (27) guarantees that (36) must be defined over the diagram of finite sets

$$(37) \quad \begin{array}{ccc} (T_n)_r & \xrightarrow{\gamma_{n-1} \circ \varphi_r} & (S_n)_s \\ \omega_{n-1}|_{\bullet} \downarrow & & \downarrow \tau_{n-1}|_{\bullet} \\ (T_{n-1})_r & \xrightarrow{\gamma_{n-2} \circ \text{tr}_{n-1} \circ \varphi_r} & (S_{n-1})_s \\ \omega_{n-2}|_{\bullet} \downarrow & & \downarrow \tau_{n-2}|_{\bullet} \\ \vdots & & \vdots \\ \downarrow & & \downarrow \\ (T_2)_r & \xrightarrow{\gamma_1 \circ \text{tr}_1 \circ \varphi_r} & (S_2)_s \end{array}$$

Using (35) and (36), we define a morphism in the fiber of G_n over φ

$$\begin{array}{ccc}
\text{cylr} \left(\prod_{r \in T_1} \gamma_{n-1} \circ \varphi_r \right) & \xleftarrow{\coprod \{E_1(r)\} \times (E_n)_r} & (\mathbb{R} \times \mathbb{R}^{n-1}) \times \Delta^1 \\
\downarrow & & \downarrow \text{pr}_{<n} \times \text{id}_{\Delta^1} \\
\text{cylr} \left(\prod_{r \in T_1} \gamma_{n-2} \circ \text{tr}_{n-2} \circ \varphi_r \right) & \xleftarrow{\coprod \{E_1(r)\} \times (E_{n-1})_r} & (\mathbb{R} \times \mathbb{R}^{n-2}) \times \Delta^1 \\
\downarrow & & \downarrow \text{pr}_{<n-1} \times \text{id}_{\Delta^1} \\
\vdots & & \vdots \\
\downarrow & & \downarrow \\
\text{cylr} \left(\prod_{r \in T_1} \gamma_1 \circ \text{tr}_1 \circ \varphi_r \right) & \xleftarrow{\coprod \{E_1(r)\} \times (E_2)_r} & (\mathbb{R} \times \mathbb{R}) \times \Delta^1 \\
\downarrow & & \downarrow \text{pr}_{<2} \times \text{id}_{\Delta^1} \\
\text{cylr} (\gamma_1 (\varphi_1)) & \xleftarrow{E_1} & \mathbb{R} \times \Delta^1
\end{array}
\tag{38}$$

where $\{r\}$ and $\{E_1(r)\}$ denote the constant map at r and $E_1(r)$, respectively, and (38) is defined over the diagram of finite sets

$$\begin{array}{ccc}
T_n = \prod_{r \in T_1} (T_n)_r & \xrightarrow{\coprod \gamma_{n-1} \circ \varphi_r} & \prod_{s \in S_1} (S_n)_s = S_n \\
\omega_{n-1} \downarrow & & \downarrow \tau_{n-1} \\
T_{n-1} = \prod_{r \in T_1} (T_{n-1})_r & \xrightarrow{\coprod \gamma_{n-2} \circ \text{tr}_{n-2} \circ \varphi_r} & \prod_{s \in S_1} (S_{n-1})_s = S_{n-1} \\
\omega_{n-2} \downarrow & & \downarrow \tau_{n-2} \\
\vdots & & \vdots \\
\downarrow & & \downarrow \\
T_2 = \prod_{r \in T_1} (T_2)_r & \xrightarrow{\coprod \gamma_1 \circ \text{tr}_1 \circ \varphi_r} & \prod_{s \in S_1} (S_2)_s = S_2 \\
\omega_1 = \coprod \{r\} \downarrow & & \downarrow \coprod \{s\} = \tau^1 \\
T_1 = \prod_{r \in T_1} r & \xrightarrow{\gamma_1 \circ \varphi_1} & \prod_{s \in S_1} s = S_1.
\end{array}
\tag{39}$$

Lastly, we wish to show that each fiber of (34) is contractible. The fiber of G_n in (34) over φ is, under the compact-open topology, the topological space of compatible embeddings

$$(40) \quad \begin{array}{ccc} \text{cyl}(\gamma_n \circ \varphi) & \xleftarrow{E_n} & \mathbb{R}^n \times \Delta^1 \\ \downarrow & & \downarrow \text{pr}_{<n} \times \text{id} \\ \text{cyl}(\gamma'_{n-1} \circ \text{tr}_{n-1} \circ \varphi) & \xleftarrow{E_{n-1}} & \mathbb{R}^{n-1} \times \Delta^1 \\ \downarrow & & \downarrow \text{pr}_{<n-1} \times \text{id} \\ \vdots & & \vdots \\ \downarrow & & \downarrow \\ \text{cyl}(\gamma_1 \circ \text{tr}_1 \circ \varphi) & \xleftarrow{E_1} & \mathbb{R} \times \Delta^1 \end{array}$$

over Δ^1 such that $E|_{S_n} = e_n$ and $E|_{T_n \times \{1\}} = d_n$. Note that (40) guarantees that each morphism in $G_n^{-1}(\varphi)$ is defined over the diagram of finite sets

$$(41) \quad \begin{array}{ccc} T_n & \xrightarrow{\gamma'_n \circ \varphi} & S_n \\ \omega_{n-1} \downarrow & & \downarrow \tau_{n-1} \\ T_{n-1} & \xrightarrow{\gamma'_{n-1} \circ \text{tr}_{n-1} \circ \varphi} & S_{n-1} \\ \omega_{n-2} \downarrow & & \downarrow \tau_{n-2} \\ \vdots & & \vdots \\ \downarrow & & \downarrow \\ T_1 & \xrightarrow{\gamma_1 \circ \text{tr}_1 \circ \varphi} & S_1. \end{array}$$

Fix an embedding E in the fiber of G_n over φ . Let $\mathbb{S}^k \xrightarrow{\psi} G_n^{-1}(\varphi)$ be continuous and based at E . We construct a null-homotopy of ψ . For each $z \in \mathbb{S}^k$, denote the image of z under ψ by ψ_z . The straight-line homotopy, H_z , from ψ_z to E defined by

$$H_z(x, t) = (1-t)\psi_z(x) + tE(x)$$

names a path from ψ_z to E in $G_n^{-1}(\varphi)$. For each $z \in \mathbb{S}^k$, we let each path H_z run simultaneously to name a null-homotopy of ψ to the constant path at $\{E\}$. Explicitly, the null-homotopy $\mathbb{S}^k \times [0, 1] \rightarrow G_n^{-1}(\varphi)$ is given by $(z, t) \mapsto H_z(-, t)$. \square

4. PART 2 OF THE PROOF OF THE MAIN RESULT

This section contains the technical heart of the proof of Theorem 1.2.1. The goal is to prove that the natural forgetful functor from Observation 2.0.9

$$(42) \quad \text{Exit}(\text{Ran}^u(\mathbb{R}^n)) \rightarrow \text{Exit}(\text{Ran}^u(\mathbb{R}^n))$$

which forgets all but the n -dimensional data is a localization. We begin by defining a localization of ∞ -categories.

Definition 4.0.1. Let \mathcal{C} be an ∞ -category and let W be a ∞ -subcategory of \mathcal{C} which contains the maximal ∞ -subgroupoid \mathcal{C}^\sim of \mathcal{C} . The *localization* of \mathcal{C} on W is an ∞ -category $\mathcal{C}[W^{-1}]$ and a functor $\mathcal{C} \xrightarrow{L} \mathcal{C}[W^{-1}]$ satisfying the following universal property: For any ∞ -category \mathcal{D} , any functor F from \mathcal{C} to \mathcal{D} uniquely factors through L if and only if F maps each morphism in W to

an isomorphism in \mathcal{D} ; otherwise, there is no filler, as indicated by the following diagram:

$$\begin{array}{ccc} \mathcal{C} & \xrightarrow{F} & \mathcal{D} \\ L \downarrow & \dashrightarrow & \uparrow \\ \mathcal{C}[W^{-1}] & & \exists! \text{ or } \emptyset \end{array}$$

We call W the *localizing* ∞ -subcategory of $\mathcal{C} \rightarrow \mathcal{C}[W^{-1}]$.

Heuristically, a localization $\mathcal{C}[W^{-1}]$ is the ∞ -category that results after formally inverting all of the morphisms in $W \subset \mathcal{C}$.

The localizing ∞ -subcategory of the functor (42) is the full ∞ -subcategory of $\text{Exit}(\text{Ran}^u(\mathbb{R}^n))$ consisting of all the morphisms that are sent to isomorphisms in $\text{Exit}(\text{Ran}^u(\mathbb{R}^n))$. Recall that the isomorphisms of $\text{Exit}(\text{Ran}^u(\mathbb{R}^n))$ are all those that are contained in a configuration space of fixed cardinality (Obs. 2.0.5). A morphism in $\text{Exit}(\text{Ran}^u(\mathbb{R}^n))$ is sent to one of these isomorphisms if and only if it too is contained in a configuration space of fixed cardinality. We formally define the localizing ∞ -subcategory of functor (42) as follows.

Definition 4.0.2. Let W_n to be the ∞ -subcategory of $\text{Exit}(\text{Ran}^u(\mathbb{R}^n))$ defined to be the pullback

$$\begin{array}{ccc} W_n & \xrightarrow{\quad} & \text{Exit}(\text{Ran}^u(\mathbb{R}^n)) \\ \downarrow & \lrcorner & \downarrow \Phi_n \\ \text{Fun}^{\text{n-bij}}(\{1 < \dots < n\}, \text{Fin}^{\text{op}}) & \xrightarrow{\quad} & \text{Fun}(\{1 < \dots < n\}, \text{Fin}^{\text{op}}) \end{array}$$

where $\text{Fun}^{\text{n-bij}}(\{1 < \dots < n\}, \text{Fin}^{\text{op}})$ is the subcategory of $\text{Fun}(\{1 < \dots < n\}, \text{Fin}^{\text{op}})$ consisting of all the same objects and only those morphisms whose value under evaluation at n is a bijection; Φ_n is the forgetful functor from Observation 2.0.8 that simply remembers the underlying data of sets at each level $1 \leq i \leq n$.

Lemma 4.0.3. *The forgetful functor from Observation 2.0.9*

$$\mathcal{F} : \text{Exit}(\text{Ran}^u(\mathbb{R}^n)) \longrightarrow \text{Exit}(\text{Ran}^u(\mathbb{R}^n))$$

is a localization of ∞ -categories on the ∞ -subcategory W_n defined in Definition 4.0.2.

Notation 4.0.4. Whenever convenient, we will abuse notation and refer to W_n as the image of W_n in Θ_n^{act} under the functor from (Lem. 3.0.1) which was shown to be an equivalence in Theorem 3.0.3.

Heuristically, W_n has the same objects as $\text{Exit}(\text{Ran}^u(\mathbb{R}^n))$ and all those morphisms whose values under ϕ_n from Observation 2.0.8 are bijections. Intuitively then, $\text{Exit}(\text{Ran}^u(\mathbb{R}^n))$ localizing on W_n to $\text{Exit}(\text{Ran}^u(\mathbb{R}^n))$ is no surprise. Indeed, in formally declaring all those morphisms in W_n to be isomorphisms, we forget the Fox-Neuwirth cells, which define morphisms in $\text{Exit}(\text{Ran}^u(\mathbb{R}^n))$ and only remember cardinality, which is the defining restriction of morphisms in $\text{Exit}(\text{Ran}^u(\mathbb{R}^n))$. However intuitive, our procedure for showing Lemma 4.0.3 is in fact quite technical. To explain our approach, we first need the following definition.

Definition 4.0.5. Given an ∞ -category \mathcal{C} and an ∞ -subcategory $W \hookrightarrow \mathcal{C}$, $\text{Fun}^W([p], \mathcal{C})$ is defined to be the pullback of ∞ -categories

$$\begin{array}{ccc} \text{Fun}^W([p], \mathcal{C}) & \longrightarrow & \text{Fun}([p], \mathcal{C}) \\ \downarrow & \lrcorner & \downarrow \\ \text{Fun}([p]^\sim, W) & \longrightarrow & \text{Fun}([p]^\sim, \mathcal{C}) \end{array}$$

where $[p]^\sim$ denotes the underlying maximal ∞ -subgroupoid of $[p]$.

Observation 4.0.6. In the case $p = 0$, $\text{Fun}^W([0], \mathcal{C})$ is equivalent to W . Indeed, an object is a functor $[0] \rightarrow \mathcal{C}$ selects out an object of W , which is precisely an object of \mathcal{C} ; a morphism is a natural transformation between any two such functors, which is precisely determined by a morphism in W .

A similar examination of the $p = 1$ case identifies that $\text{Fun}^W([1], \mathcal{C})$ is the ∞ -category whose objects are morphisms of \mathcal{C} and whose morphisms are all those natural transformations given by morphisms in W , i.e., a morphism from $c \rightarrow d$ in \mathcal{C} to $c' \rightarrow d'$ in \mathcal{C} is a commutative square in \mathcal{C}

$$\begin{array}{ccc} c & \longrightarrow & c' \\ \downarrow & & \downarrow \\ d & \longrightarrow & d' \end{array}$$

such that both horizontal arrows are morphisms in W . In general, a $[p]$ -point in $\text{Fun}^W([1], \mathcal{C})$ is a commutative diagram in \mathcal{C} of the shape $[p] \times [1]$ such that the two p -simplices $[p] \cong [p] \times \{0\}$ and $[p] \cong [p] \times \{1\}$ must be $[p]$ -points of the ∞ -subcategory W .

In [25] Mazel-Gee proved a theorem that identifies localizations of ∞ -categories in favorable cases. It will be our route for proving Lemma 4.0.3. We state it next.

Theorem 4.0.7 (Thm. 3.8, [25]). *For an ∞ -category \mathcal{C} and a ∞ -subcategory containing the maximal ∞ -subgroupoid of \mathcal{C} , $\mathcal{C}^\sim \subset W \subset \mathcal{C}$, if the classifying space $\mathcal{B}\text{Fun}^W([\bullet], \mathcal{C})$ is a complete Segal space, then it is equivalent as a simplicial space to the localization of \mathcal{C} on W ,*

$$\mathcal{B}\text{Fun}^W([\bullet], \mathcal{C}) \simeq \mathcal{C}[W^{-1}].$$

Thus, to prove Lemma 4.0.3 we must show that the simplicial space $\mathcal{B}\text{Fun}^{W_n}([\bullet], \text{Exit}(\text{Ran}^u(\mathbb{R}^n)))$ is equivalent to $\text{Exit}(\text{Ran}^u(\mathbb{R}^n))$. To do this we need the following two lemmas.

Lemma 4.0.8. *For $p = 0, 1$, there is an equivalence of spaces*

$$\mathcal{B}\text{Fun}^{W_n}([p], \text{Exit}(\text{Ran}^u(\mathbb{R}^n))) \simeq \text{Hom}_{\text{Cat}_\infty}([p], \text{Exit}(\text{Ran}^u(\mathbb{R}^n)))$$

between the classifying space of the ∞ -category $\text{Fun}^{W_n}([p], \text{Exit}(\text{Ran}^u(\mathbb{R}^n)))$ and the hom-space in ∞ -categories from $[p]$ to $\text{Exit}(\text{Ran}^u(\mathbb{R}^n))$.

Lemma 4.0.9. *The classifying space $\mathcal{B}\text{Fun}^{W_n}([\bullet], \text{Exit}(\text{Ran}^u(\mathbb{R}^n)))$ is a complete Segal space.*

Let us explain how it is that Lemma 4.0.3 follows from these two lemmas; we will give a formal proof at the end of this section. First, note that Lemma 4.0.9 verifies the hypothesis of Theorem 4.0.7. In particular then, the classifying space $\mathcal{B}\text{Fun}^{W_n}([\bullet], \text{Exit}(\text{Ran}^u(\mathbb{R}^n)))$ is determined by its values on $[0]$ and $[1]$ because it satisfies the Segal condition (Def. 1.1.1). Through Theorem 4.0.7, Lemma 4.0.8 identifies the space of objects and morphisms of the localization $\text{Exit}(\text{Ran}^u(\mathbb{R}^n))[W_n]$ as the space of objects and morphisms of $\text{Exit}(\text{Ran}^u(\mathbb{R}^n))$, respectively. The Segal condition, then, implies the desired result, that the localization $\text{Exit}(\text{Ran}^u(\mathbb{R}^n))[W_n^{-1}]$ is equivalent to the ∞ -category $\text{Exit}(\text{Ran}^u(\mathbb{R}^n))$.

We organize our proofs of Lemma 4.0.8 and Lemma 4.0.9 as follows. Lemma 4.0.8 naturally decomposes into its two cases, $p = 0$ and $p = 1$; we make each case into a lemma, each of which is stated and proven in the subsequent subsections §4.1 and §4.2. And lastly, §4.3 is devoted to the proof of Lemma 4.0.9.

4.1. Identifying the space of objects of the localization. This subsection is devoted to proving the $p = 0$ case of Lemma 4.0.8. In light of Observation 4.0.6 wherein we observed that $\text{Fun}^W([0], \mathcal{C}) \simeq W$, we rephrase this case as the following lemma.

Lemma 4.1.1 (Lemma 4.0.8; $p = 0$). *There is an equivalence of spaces*

$$\mathcal{B}W_n \simeq \text{Exit}(\text{Ran}^u(\mathbb{R}^n))^\sim$$

from the classifying space of the ∞ -subcategory W_n of $\text{Exit}(\text{Ran}^u(\mathbb{R}^n))$ to the maximal ∞ -subgroupoid of $\text{Exit}(\text{Ran}^u(\mathbb{R}^n))$.

To prove Lemma 4.1.1, we need two lemmas. The first states that there is an adjunction between W_n and the subcategory of W_n consisting of healthy trees (Def. 0.0.1). Explicitly, this subcategory is defined as follows.

Definition 4.1.2. W_n^{hlt} is the subcategory of W_n defined to be the pullback

$$\begin{array}{ccc} W_n^{\text{hlt}} & \xleftarrow{\quad} & W_n \\ \downarrow & \lrcorner & \downarrow \\ \text{Fun}^{\text{n-bij}}(\{1 < \dots < n\}, (\text{Fin}^{\text{surj}})^{\text{op}}) & \xrightarrow{\quad} & \text{Fun}^{\text{n-bij}}(\{1 < \dots < n\}, \text{Fin}^{\text{op}}) \end{array}$$

of categories.

Informally, the category W_n^{hlt} is the full subcategory of W_n consisting of all those objects of Θ_n that are healthy trees.

Lemma 4.1.3. *The inclusion functor $W_n^{\text{hlt}} \hookrightarrow W_n$ is a right adjoint.*

A left adjoint to the inclusion functor is given by forgetting all of the data associated to the ‘unhealthy’ parts of the trees in W_n . We construct such a functor as follows.

Construction 4.1.4 (The Pruning Functor, P_n). For each $n \geq 1$, we define a canonical functor

$$P_n : W_n \rightarrow W_n^{\text{hlt}}.$$

For $n = 1$, $P_1 := \text{Id}_{W_1}$ since $W_1 = W_1^{\text{hlt}}$.

For $n \geq 2$, we define P_n inductively. First, for each object $T = [p](T_i) \in W_n$ for $n \geq 2$, define the sub-linearly ordered set

$$N_T := \left\{ 0 = i_0 < i_1 < \dots < i_k \mid \begin{array}{l} i_j \in \{1, \dots, p\} \forall 1 \leq j \leq k \\ T_i = \emptyset \iff \exists 1 \leq j \leq k \text{ s.t. } i = i_j \end{array} \right\} \subset [p].$$

For the case $n = 2$, we define

$$P_2 : T = [p]([q_i]) \mapsto N_T([q_{i_j}])$$

on objects; the value of a morphism under P_2 is given by restriction of that morphism to N_T . P_2 respects composition because restriction respects composition.

For general n , we define

$$P_n : T = [p](T_i) \mapsto N_T(P_{n-1}(T_{i_j}))$$

on objects; the value of a morphism under P_n is again determined by restriction of that morphism to N_T together with P_{n-1} . Composition is preserved by P_n because restriction and P_{n-1} both respect composition.

Proof of Lemma 4.1.3. We use Lemma 2.17 from [2] which states that for a functor $\mathcal{C} \xrightarrow{F} \mathcal{D}$ of ∞ -categories, F is a right adjoint if and only if for each object $d \in \mathcal{D}$, the ∞ -undercategory $\mathcal{C}^{d/}$ has an initial object, and verify that for each $T \in W_n$, the undercategory $W_n^{\text{hlt}T/}$ has an initial object. Recall that the ∞ -undercategory $\mathcal{C}^{d/}$ is defined as the pullback of ∞ -categories

$$\begin{array}{ccc} \mathcal{C}^{d/} & \longrightarrow & \mathcal{D}^{d/} \\ \downarrow & \lrcorner & \downarrow \text{frgt} \\ \mathcal{C} & \xrightarrow{F} & \mathcal{D} \end{array}$$

Fix an object $T \in W_n$. To define the initial object of $W_n^{\text{hlt}T/}$, we define a morphism $T \xrightarrow{\alpha_T} P_n(T)$ in W_n such that for any morphism $T \xrightarrow{f} S$ in W_n to a healthy tree S , there is a unique (up to isomorphism) factorization through α_T

$$\begin{array}{ccc} T & \xrightarrow{f} & S \\ \alpha_T \downarrow & \nearrow \exists! & \\ P_n(T) & & \end{array}$$

in W_n .

We define α_T as follows. For $n = 1$, $T = P_1(T)$ for each $T \in W_1$ and thus, we define $\alpha_T := \text{Id}_T$.

To define α_T for $T \in W_n$ for $n \geq 2$, we proceed by induction. Fix an object $T \in W_2$. Define $\alpha_T : T = [p]([q_i]) \rightarrow N_T([q_{i_j}])$ by

$$\text{i) } [p] \rightarrow N_T \text{ is given by the assignment } i \mapsto \begin{cases} i_j, & \text{if } \exists 0 \leq j \leq k-1 \text{ s.t. } i_j \leq i < i_{j+1} \\ i_k, & \text{if } i \geq i_k. \end{cases}$$

$$\text{ii) For each pair } (i, i_j) \text{ such that } i = i_j, [q_i] \xrightarrow{\text{Id}} [q_{i_j}].$$

For the general case, fix an object $T \in W_n$. Define $\alpha_T : T = [p](T_i) \rightarrow N_T(P_{n-1}(T_{i_j}))$ by

$$\text{i) } [p] \rightarrow N_T \text{ is the same as i) for } n = 2.$$

$$\text{ii) For each pair } (i, i_j) \text{ such that } i = i_j, T_i \xrightarrow{\alpha_{T_i}} P_{n-1}(T_{i_j}), \text{ where } \alpha_{T_i} \text{ is guaranteed by the inductive hypothesis.}$$

Observe that by design each morphism $T \xrightarrow{f} S$ in W_n to a healthy tree S factors through α_T via $P_n(f)$:

$$(43) \quad \begin{array}{ccc} T & \xrightarrow{f} & S \\ \alpha_T \downarrow & \nearrow P_n(f) & \\ P_n(T) & & \end{array}$$

Further, up to isomorphism $P_n(f)$ is the unique such filler. This verifies that for each fixed object $T \in W_n$, the initial object of $W_n^{\text{hlt}T/}$ is

$$(P_n(T), T \xrightarrow{\alpha_T} P_n(T)).$$

□

4.1.1. *The space of configurations of r unordered points in \mathbb{R}^n .* In this section, we prove the second lemma needed for the proof of Lemma 4.1.1. This lemma identifies the classifying space of the following ∞ -category.

Definition 4.1.5. For each $r \geq 1$, $W_n^{\text{hlt}}(r)$ is the ∞ -subcategory of W_n^{hlt} defined to be the pullback of ∞ -categories

$$\begin{array}{ccc} W_n^{\text{hlt}}(r) & \xrightarrow{\quad \quad \quad} & W_n^{\text{hlt}} \\ \downarrow & \lrcorner & \downarrow \\ \text{Fun}_r^{n-\text{bij}}(\{1 < \dots < n\}, (\text{Fin}^{\text{surj}})^{\text{op}}) & \longrightarrow & \text{Fun}^{n-\text{bij}}(\{1 < \dots < n\}, (\text{Fin}^{\text{surj}})^{\text{op}}) \end{array}$$

where the functor category $\text{Fun}_r^{n-\text{bij}}(\{1 < \dots < n\}, (\text{Fin}^{\text{surj}})^{\text{op}})$ is the full subcategory of $\text{Fun}^{n-\text{bij}}(\{1 < \dots < n\}, (\text{Fin}^{\text{surj}})^{\text{op}})$ in which the value of an object upon evaluation at n has cardinality r . We define $W_n^{\text{hlt}}(0)$ to be the terminal ∞ -category.

Heuristically, an object of $W_n^{\text{hit}}(r)$ is a configuration of r distinct points in \mathbb{R}^n and a morphism is a path in the unordered configuration space of r points in \mathbb{R}^n such that for each $0 < k < n$, the projection of the path onto its first k -coordinates may witness anticollision of points, but not collision. In other words, the morphisms are precisely exit-paths in the Fox-Neuwirth cell stratification $\text{Conf}_r(\mathbb{R}^n)_{\Sigma_r}$, as we will soon see.

The underlying data of sets of a $[p]$ -point in $W_n^{\text{hit}}(r)$ is restricted to be bijective between sets of cardinality r . This allows us to significantly simplify the description of a $[p]$ -point. Recall the definition (9) of a $[p]$ -point in $\text{Exit}(\text{Ran}^u(\mathbb{R}^n))$. We may simplify the description for those in $W_n^{\text{hit}}(r)$ in two ways. First, the embedding at dimension n will determine all of the embeddings of the lower dimensions by taking its projection. This is due to the fact that all of our maps between sets are, in particular, surjective. Thus, it suffices to only describe the n -dimensional embedding data. Second, the reverse cylinder construction on a sequence of p bijections is trivial in that it is simply the product of the set with the topological p -simplex. Thus, we make the following observation.

Observation 4.1.6. The data of a $[p]$ -point in $W_n^{\text{hit}}(r)$ may be described as an embedding

$$(44) \quad R \times \Delta^p \hookrightarrow \mathbb{R}^n \times \Delta^p$$

over Δ^p for a set R of cardinality r whose projection onto the first k -coordinates for each $1 \leq k < n$ may witness anticollision but not collision.

Observation 4.1.7. By definition the ∞ -category W_n^{hit} (Def. 4.0.2) is canonically equivalent to the coproduct of ∞ -categories $\coprod_{r \geq 0} W_n^{\text{hit}}(r)$.

Recall Ayala-Francis-Rozenblyum-Tanaka's exit-path ∞ -category construction applied to the Fox-Neuwirth cell stratification $\text{Conf}_r(\mathbb{R}^n)_{\Sigma_r}$ (§B.2.1). We wish to show that it is canonically equivalent to the ∞ -category $W_n^{\text{hit}}(r)$.

Notation 4.1.8. For the remainder of the paper, we let \underline{r} denote the set $\{1, \dots, r\}$.

Lemma 4.1.9. *There is a canonical equivalence between ∞ -categories*

$$W_n^{\text{hit}}(r) \simeq \text{Exit}(\text{Conf}_r(\mathbb{R}^n)_{\Sigma_r})$$

over $(\text{Fin}^{\text{surj}})^{\text{op}}$.

Proof. Both $W_n^{\text{hit}}(r)$ and $\text{Exit}(\text{Conf}_r(\mathbb{R}^n)_{\Sigma_r})$ are modeled as complete Segal spaces. Thus, they are completely determined by their $[0]$ and $[1]$ values. Therefore, it suffices to show an equivalence between the simplicial data at $[0]$ and $[1]$, which is nearly immediate from their definitions.

On the level of objects this is in fact immediate – the objects of both are points in the underlying stratified space, which are configurations of r unordered points in \mathbb{R}^n .

On the level of morphisms, we recall the definitions of each. In Observation 4.1.6, we saw that a morphism in $W_n^{\text{hit}}(r)$ is an embedding

$$R \times \Delta^1 \hookrightarrow \mathbb{R}^n \times \Delta^1$$

over Δ^1 and for a set R of cardinality r , whose projections may witness anticollision, but not collision. This restriction (which we note is actually part of the data of the definition) about anti-colliding projections is precisely encoded by the poset $n\text{Ord}(\underline{r})_{\Sigma_r}$ in the Fox-Neuwirth stratification $\text{Conf}_r(\mathbb{R}^n)_{\Sigma_r}$. Now recall Ayala-Francis-Rozenblyum-Tanaka's exit-path ∞ -category functor (Def. B.2.1). The value $\text{Exit}(X)$ of a conically smooth stratified space X is a simplicial space assigning $[1]$ to the hom-space $\text{Strat}(\Delta^1, X)$ of the ∞ -category of conically smooth stratified spaces. Here, Δ^1 has the standard stratification defined in Example A.0.2 over $[1]$. Thus, a $[1]$ -point of $\text{Exit}(\text{Conf}_r(\mathbb{R}^n)_{\Sigma_r})$ is a stratified map from Δ^1 to $\text{Conf}_r(\mathbb{R}^n)_{\Sigma_r}$. The image of such a map is a path in $\text{Conf}_r(\mathbb{R}^n)_{\Sigma_r}$ that is allowed to immediately exit from its present Fox-Neuwirth cell to a higher-dimensional one, but not vice-versa. Such a path witnesses a configuration of r points moving from more coordinate coincidence to less. Each subsequent projection of such a path would witness anticollision of points,

but not collision. This identifies the [1]-points. The equivalence between the structure maps are evident. \square

We are finally ready to prove Lemma 4.1.1.

Proof of Lemma 4.1.1. Corollary 2.1.28 in [24] states that an adjunction between ∞ -categories yields an equivalence between their classifying spaces. We apply this result to the adjunction from Lemma 4.1.3 to obtain an equivalence of the classifying spaces,

$$\mathcal{B}W_n \simeq \mathcal{B}W_n^{\text{hlt}}.$$

In Observation 4.1.7, we saw that by definition W_n^{hlt} is equivalent to the coproduct $\coprod_{r \geq 0} W_n^{\text{hlt}}(r)$.

Then, in Lemma 4.1.9, we proved an equivalence of ∞ -categories between $\text{Exit}(\text{Conf}_r(\mathbb{R}^n)_{\Sigma_r})$ and $W_n^{\text{hlt}}(r)$. Taking the classifying space of these two equivalences yields the equivalence of spaces

$$(45) \quad \mathcal{B}W_n^{\text{hlt}} \simeq \coprod_{r \geq 0} \mathcal{B} \text{Exit}(\text{Conf}_r(\mathbb{R}^n)_{\Sigma_r}).$$

In Corollary B.2.4 we proved that the Fox-Neuwirth stratification $\text{Conf}_r(\mathbb{R}^n)_{\Sigma_r}$ is conically smooth. In [5] Corollary 1.2.7 states that the classifying space of the exit-path ∞ -category of a conically smooth stratified space is homotopy equivalent to the topological space underlying the stratified space. Thus, we have the following equivalence of spaces

$$(46) \quad \coprod_{r \geq 0} \mathcal{B} \text{Exit}(\text{Conf}_r(\mathbb{R}^n)_{\Sigma_r}) \simeq \coprod_{r \geq 0} \text{Conf}_r(\mathbb{R}^n)_{\Sigma_r}.$$

Lastly, $\coprod_{r \geq 0} \text{Conf}_r(\mathbb{R}^n)_{\Sigma_r}$ is by definition equivalent to $\text{Exit}(\text{Ran}^u(\mathbb{R}^n))^\sim$ the maximal ∞ -subgroupoid of $\text{Exit}(\text{Ran}^u(\mathbb{R}^n))$. \square

4.2. Identifying the space of morphisms of the localization. By proving Lemma 4.1.1, we have identified that the space of objects of the localization $\text{Exit}(\text{Ran}^u(\mathbb{R}^n))[W_n^{-1}]$ is equivalent to the space of objects of $\text{Exit}(\text{Ran}^u(\mathbb{R}^n))$. This subsection is devoted to identifying the space of morphisms by proving the $p = 1$ case of Lemma 4.0.8; we restate it as follows.

Lemma 4.2.1 (Lemma 4.0.8; $p = 1$). *There is an equivalence of spaces*

$$\mathcal{B}\text{Fun}^{W_n}([1], \text{Exit}(\text{Ran}^u(\mathbb{R}^n))) \simeq \text{mor}(\text{Exit}(\text{Ran}^u(\mathbb{R}^n)))$$

induced by the forgetful functor $\text{Exit}(\text{Ran}^u(\mathbb{R}^n)) \rightarrow \text{Exit}(\text{Ran}^u(\mathbb{R}^n))$.

The core idea of the proof is the following: Both spaces of the equivalence in Lemma 4.2.1 naturally assemble as the fibrations depicted in (47) below. We use the induced long exact sequence of homotopy groups to show a weak homotopy equivalence of total spaces by showing a homotopy equivalence between the base spaces and between the fibers. Then by the Whitehead Theorem we obtain a homotopy equivalence of the total spaces since they are CW complexes.

$$(47) \quad \begin{array}{ccc} \mathcal{B}\text{Fun}^{W_n}([1], \text{Exit}(\text{Ran}^u(\mathbb{R}^n))) & \xrightarrow{\text{frgt}} & \text{mor}(\text{Exit}(\text{Ran}^u(\mathbb{R}^n))) \\ \mathcal{B}\text{ev}_0 \downarrow & & \downarrow \text{ev}_0 \\ \mathcal{B}\text{Fun}^{W_n}([0], \text{Exit}(\text{Ran}^u(\mathbb{R}^n))) & \longrightarrow & \text{Exit}(\text{Ran}^u(\mathbb{R}^n))^\sim \end{array}$$

Since we already showed that the base spaces are equivalent in Lemma 4.1.1, our work lies in showing an equivalence on the level of fibers. We identify the fibers throughout the course of three lemmas: Lemma 4.2.7 identifies the fibers of ev_0 and lemmas 4.2.8 and 4.2.11 identify the fibers of $\mathcal{B}\text{ev}_0$. Each lemma is technical, relying on the concept of a *Cartesian fibration*. In the next

subsection, we follow [2] to recall this technical machinery and further tailor it to the situation at hand, towards the goal of proving Lemma 4.2.7, Lemma 4.2.8, and Lemma 4.2.11.

4.2.1. Cartesian fibrations.

Definition 4.2.2 (Def. 2.1, [2]). Let $\mathcal{E} \xrightarrow{\pi} \mathcal{B}$ be a functor between ∞ -categories. A morphism $c_1 \xrightarrow{\langle e \xrightarrow{\varphi} e' \rangle} \mathcal{E}$ is π -Cartesian if the diagram of ∞ -overcategories

$$\begin{array}{ccc} \mathcal{E}/_e & \xrightarrow{\varphi \circ -} & \mathcal{E}/_{e'} \\ \pi \downarrow & & \downarrow \pi \\ \mathcal{B}/_{\pi(e)} & \xrightarrow{\pi(\varphi) \circ -} & \mathcal{B}/_{\pi(e')} \end{array}$$

is a pullback.

π is a *Cartesian fibration* if for every solid square

$$\begin{array}{ccc} * & \longrightarrow & \mathcal{E} \\ \langle t \rangle \downarrow & \nearrow & \downarrow \pi \\ c_1 & \longrightarrow & \mathcal{B} \end{array}$$

there is a π -Cartesian filler.

Observation 4.2.3. The map

$$\mathrm{Fun}^{W_n}([1], \mathrm{Exit}(\mathrm{Ran}^u(\mathbb{R}^n))) \xrightarrow{\mathrm{ev}_0} \mathrm{Fun}^{W_n}([0], \mathrm{Exit}(\mathrm{Ran}^u(\mathbb{R}^n)))$$

is a Cartesian fibration. The proof is straightforward, using Example 2.5 in [2], wherein it is shown that for an ∞ -category \mathcal{C} , the functor given by evaluation at 0, $\mathrm{Fun}([1], \mathcal{C}) \xrightarrow{\mathrm{ev}_0} \mathrm{Fun}([0], \mathcal{C})$ is a Cartesian fibration.

Observation 4.2.4. Let $\mathcal{E} \xrightarrow{\pi} \mathcal{B}$ be a Cartesian fibration. For each object $b \in \mathcal{B}$ there is a canonical inclusion $\pi^{-1}(b) \hookrightarrow \mathcal{E}^{b/}$ from the fiber of π over b to the undercategory of \mathcal{E} under b . Its value on an object $e \in \pi^{-1}(b)$ such that $b \cong \pi(e)$ is the equivalence $b \xrightarrow{\cong} \pi(e)$. Its value on a morphism $e \xrightarrow{f} e'$ is $\pi(f)$.

Definition 4.2.5 (Cartesian Monodromy Functor). Let $\mathcal{E} \xrightarrow{\pi} \mathcal{B}$ be a Cartesian fibration. For each morphism $b \xrightarrow{f} b'$ in \mathcal{B} , the induced *Cartesian monodromy functor* $f^* : \pi^{-1}(b') \rightarrow \pi^{-1}(b)$ from the fiber over b' to the fiber over b is defined to be the threefold composite

$$\begin{array}{ccc} \pi^{-1}(b') & \xrightarrow{f^*} & \pi^{-1}(b) \\ \downarrow & & \uparrow \mu \\ \mathcal{E}^{b'/} & \xrightarrow{- \circ f} & \mathcal{E}^{b/} \end{array}$$

where μ is right adjoint to the inclusion functor $\pi^{-1}(b) \hookrightarrow \mathcal{E}^{b/}$, the existence of which is guaranteed by Lemma 2.20 in [2].

Observation 4.2.6. Given a diagram of ∞ -categories

$$(48) \quad \begin{array}{ccc} \mathcal{E} & \xrightarrow{G} & \mathcal{E}' \\ \pi \downarrow & & \downarrow \pi' \\ \mathcal{B} & \xrightarrow{F} & \mathcal{B}' \end{array}$$

in which π and π' are Cartesian fibrations, for each morphism $b \xrightarrow{\alpha} b'$ in \mathcal{B} , G carries the induced monodromy functor α^* to the monodromy functor induced by $F(\alpha)$,

$$(49) \quad \begin{array}{ccc} \pi^{-1}(b') & \xrightarrow{\alpha^*} & \pi^{-1}(b) \\ \downarrow & & \downarrow \\ \pi'^{-1}(F(b')) & \xrightarrow{F(\alpha)^*} & \pi'^{-1}(F(b)). \end{array}$$

Moreover, if (48) is a pullback of ∞ -categories, then the downward vertical arrows of (49) are equivalences.

4.2.2. *The fibers of ev_0 .* We are now equipped to identify the fibers of the evaluation functor on the righthand side of (47) with the following lemma. First take note that the following notational changes are applied for the remainder of the paper.

- In $\text{Exit}(\text{Ran}^u(\mathbb{R}^n))$ we denote an object $S \xrightarrow{e} \mathbb{R}^n$ by S , by which we mean the image of S in \mathbb{R}^n under the embedding e .
- In $\text{Exit}(\text{Ran}^u(\mathbb{R}^n))$ we denote an object $\underline{S} \xrightarrow{e} \mathbb{R}^n$ by $\underline{S} = S_n \rightarrow \cdots \rightarrow S_1$, by which we mean the images of S_i under e_i for each $1 \leq i \leq n$ together with the coordinate projection data given by the sequence of maps of finite sets $S_n \rightarrow \cdots \rightarrow S_1$.

We denote a morphism $\text{cylr}(\underline{S}' \xrightarrow{\sigma} \underline{S}) \xrightarrow{E} \mathbb{R}^n \times \Delta^1$ from \underline{S} to \underline{S}' by simply an arrow $\underline{S} \rightarrow \underline{S}'$.

Lemma 4.2.7. *For a smooth connected manifold M , the fiber of the map of spaces*

$$\text{mor}\left(\text{Exit}(\text{Ran}^u(M))\right) \xrightarrow{ev_0} \text{Exit}(\text{Ran}^u(M))^\sim$$

from the space of morphisms of $\text{Exit}(\text{Ran}^u(M))$ to the maximal ∞ -subgroupoid of $\text{Exit}(\text{Ran}^u(M))$ over an object $S \subset M$ of $\text{Exit}(\text{Ran}^u(M))$ is the product

$$\prod_{s \in S} \text{Exit}(\text{Ran}^u(T_s M))^\sim$$

indexed over $s \in S$ of the maximal ∞ -subgroupoid of the exit-path ∞ -category of the unital Ran space of the tangent space $T_s M$ of M at $s \in S$.

Proof. Fix $S \subset M$. We want to identify the fiber over S by constructing an explicit homotopy equivalence

$$\prod_{s \in S} \prod_{r \geq 0} \text{Conf}_r(T_s M)_{\Sigma_r} \xrightarrow{\cong} \text{ev}_0^{-1}(S).$$

We remind the reader that the underlying maximal ∞ -subgroupoid of $\text{Exit}(\text{Ran}^u(T_s M))$ is equivalent to the coproduct of configuration spaces

$$\text{Exit}(\text{Ran}^u(T_s M))^\sim \simeq \coprod_{r \geq 0} \text{Conf}_r(T_s M)_{\Sigma_r}.$$

For each $s \in S$, choose a smooth open embedding $T_s M \hookrightarrow M$ which carries the origin to s such that the images $\{U_s\}_{s \in S}$ are disjoint. These open embeddings induce homeomorphisms $\text{Conf}_r(T_s M)_{\Sigma_r} \cong \text{Conf}_r(U_s)_{\Sigma_r}$, which in turn identify homeomorphisms

$$(50) \quad \prod_{s \in S} \prod_{r \geq 0} \text{Conf}_r(T_s M)_{\Sigma_r} \cong \prod_{s \in S} \prod_{r \geq 0} \text{Conf}_r(U_s)_{\Sigma_r} \cong \prod_{r \geq 0} \text{Conf}_r\left(\prod_{s \in S} U_s\right)_{\Sigma_r}$$

where the second homeomorphism is canonical because the images $\{U_s\}$ are disjoint and the empty configuration is allowed. The inclusions $\prod_{s \in S} U_s \hookrightarrow M$ determine an inclusion

$$(51) \quad \prod_{r \geq 0} \text{Conf}_r\left(\prod_{s \in S} U_s\right)_{\Sigma_r} \hookrightarrow \prod_{r \geq 0} \text{Conf}_r(M)_{\Sigma_r}.$$

Composing (50) and (51) results in the top horizontal map in the following diagram

$$(52) \quad \begin{array}{ccc} \prod_{s \in S} \prod_{r \geq 0} \text{Conf}_r(T_s M)_{\Sigma_r} & \hookrightarrow & \prod_{r \geq 0} \text{Conf}_r(M)_{\Sigma_r} \\ & \searrow \text{straight} & \uparrow \text{target} \\ & & \text{mor Exit}(\text{Ran}^u(M)). \end{array}$$

This injection factors through the space of morphisms of $\text{Exit}(\text{Ran}^u(M))$ by taking the straight-line paths from the origin of each $T_s M$ to the given configuration in the image U_s . Let us define the factorization **straight** explicitly. Consider a configuration $(R_s \subset T_s M)_{s \in S}$. For each $s \in S$ define

$$\gamma_s : \bar{C}(R_s) \rightarrow T_s M \times \Delta^1$$

over Δ^1 from the closed cone on the underlying set R_s to be the map which carries the cone point to the origin of $T_s M$ at $t = 0 \in \Delta^1$ and which carries each $\{r\} \times \Delta^1$ to the straight-line path from 0 to $r \in R_s$. Define the map **straight** in (52) to assign to each configuration $(R_s \subset T_s M)_{s \in S}$ the morphism in $\text{Exit}(\text{Ran}^u(M))$ determined by the composites

$$\bar{C}(R_s) \xrightarrow{\gamma_s} T_s M \times \Delta^1 \simeq U_s \times \Delta^1 \hookrightarrow M \times \Delta^1$$

for each $s \in S$.

By construction, the functor **straight** in (52) factors through the fiber $\text{ev}_0^{-1}(S)$

$$\begin{array}{ccc} \prod_{s \in S} \prod_{r \geq 0} \text{Conf}_r(T_s M)_{\Sigma_r} & \xrightarrow{\text{straight}} & \text{mor Exit}(\text{Ran}^u(M)) \\ & \searrow \text{Str} & \uparrow \\ & & \text{ev}_0^{-1}(S). \end{array}$$

We will show that the factorization **Str** is a homotopy equivalence by showing that for any commutative square

$$(53) \quad \begin{array}{ccc} \mathbb{S}^n & \longrightarrow & \prod_{s \in S} \prod_{r \geq 0} \text{Conf}_r(T_s M)_{\Sigma_r} \\ \downarrow & \nearrow \exists & \downarrow \text{Str} \\ \mathbb{D}^{n+1} & \longrightarrow & \text{ev}_0^{-1}(S) \end{array}$$

there exists a filler making each triangle commute up to homotopy. Recall that a point in $\text{ev}_0^{-1}(S) \subset \text{mor Exit}(\text{Ran}^u(M))$ is the data of a finite proper constructible bundle

$$\text{cylr}(T \rightarrow S) \longrightarrow \Delta^1$$

together with an embedding

$$\text{cylr}(T \rightarrow S) \hookrightarrow M \times \Delta^1$$

over Δ^1 for some finite set T and some map $T \rightarrow S$. (Explicitly, such a description is due to the equivalence $\text{Exit}(\text{Ran}^u(M)) \simeq \mathcal{R}\text{ef}^0(M)$ of Lemma 1.1.6.) Heuristically a map $\mathbb{D}^{n+1} \rightarrow \text{ev}_0^{-1}(S)$ is a movie of embeddings $\text{cylr}(T \rightarrow S) \hookrightarrow M \times \Delta^1$ parameterized by \mathbb{D}^{n+1} . Explicitly, this means that a map $\mathbb{D}^{n+1} \rightarrow \text{ev}_0^{-1}(S)$ is the data of a finite proper constructible bundle

$$\tilde{K} \longrightarrow \mathbb{D}^{n+1} \times \Delta^1$$

together with an embedding

$$\begin{array}{ccc} \tilde{K} & \hookrightarrow & \mathbb{D}^{n+1} \times \Delta^1 \times M \\ & \searrow & \downarrow \\ & & \mathbb{D}^{n+1} \times \Delta^1 \end{array}$$

that is constant at S over $\mathbb{D}^{n+1} \times \Delta^{\{0\}}$. For ease of notation, identify $\Delta^1 \cong [0, 1]$ such that $\Delta^{\{0\}} = 0$. Compactness of \mathbb{D}^{n+1} ensures that there exists $t \in (0, 1]$ such that $\tilde{K}|_{[0,t]}$ factors through $\prod_{s \in S} U_s \subset M$. Further, taking the restriction of $\tilde{K}|_{[0,t]}$ along $\mathbb{S}^n \hookrightarrow \mathbb{D}^{n+1}$ and scaling by this t extends

to a commutative square (53) for the case that M is a finite disjoint union of Euclidean spaces. By virtue of the coproduct, we may reduce yet further to the case of a single Euclidean space; i.e., the case that $S = \{s\}$ is a singleton. Without loss of generality, choose s to be the origin. So, showing that the map given by taking straight-line paths from the origin

$$\prod_{s \in S} \prod_{r \geq 0} \text{Conf}_r(T_s M)_{\Sigma_r} \xrightarrow{\text{Str}} \text{ev}_0^{-1}(S)$$

is a homotopy equivalence has been reduced to showing that the same map

$$(54) \quad \prod_{r \geq 0} \text{Conf}_r(\mathbb{R}^n)_{\Sigma_r} \xrightarrow{\text{Str}} \text{ev}_0^{-1}(\{0\})$$

in the case of $M = \mathbb{R}^n$ and $S = \{0\}$ is a homotopy equivalence. In fact, we will explicitly describe such a homotopy equivalence. A map in the other direction

$$(55) \quad \text{ev}_0^{-1}(\{0\}) \longrightarrow \prod_{r \geq 0} \text{Conf}_r(\mathbb{R}^n)_{\Sigma_r}$$

is defined as follows. A point in $\text{ev}_0^{-1}(\{0\})$ is a conically smooth embedding over $[0, 1]$

$$(56) \quad \bar{C}(I) \hookrightarrow \mathbb{R}^n \times [0, 1]$$

from the closed cone of some finite set $I \in \text{Fin}$ that carries the cone point to the origin. By conical smoothness, the blowup of such an embedding at the cone point is a smooth map

$$\text{Bl}(\bar{C}(I)) = I \times [0, 1] \longrightarrow \mathbb{R}^n$$

which is an embedding over $(0, 1]$ and which carries each $\{i\} \times [0, 1]$ to a smooth path γ_i in \mathbb{R}^n from the origin, with non-zero derivative at the origin. The collection of these derivatives determine the map (55). Explicitly, the point (56) is sent to the collection of non-zero initial velocity vectors $(d\gamma_i(0) \subset \mathbb{R}^n)_{i \in I}$ associated to it; note that the image names a point in $\text{Conf}_{|I|}(\mathbb{R}^n)_{\Sigma_r}$.

To see that (54) and (55) yield a homotopy equivalence, first note that the composite of (54) followed by (55) is the identity on $\prod_{r \geq 0} \text{Conf}_r(\mathbb{R}^n)_{\Sigma_r}$. We describe a homotopy from the identity on

$\text{ev}_0^{-1}(S)$ to the other composite as follows. Let $\bar{C}(I) \xrightarrow{\gamma} \mathbb{R}^n \times \Delta^1$ be a point in $\text{ev}_0^{-1}(\{0\})$. By virtue of approximating smooth functions by piecewise linear functions, for each $i \in I$, there is a $t \in (0, 1]$ such that the i^{th} path in γ projects orthogonally onto the straight ray from the origin in the direction of the initial velocity vector of that path. Choose the minimum such t over all $i \in I$. Straight-line homotopy from each path in γ restricted to $[0, t]$ to the straight ray given by path's initial velocity vector yields the desired homotopy from the identity on $\text{ev}_0^{-1}(\{0\})$ to the composite of (55) followed by (54). \square

Applying Lemma 4.2.7 to the case of $M = \mathbb{R}^n$, we have identified the fiber of ev_0 in (47) as desired. The next step is to identify the fiber of the lefthand functor $\mathcal{B}\text{ev}_0$ in (47) as equivalent to that of the righthand functor. The next lemma is the first of two steps towards this. It identifies the classifying space of the fiber of the map from $\text{Fun}^{W_n}([1], \text{Exit}(\text{Ran}^u(\mathbb{R}^n)))$ to $\text{Fun}^{W_n}([0], \text{Exit}(\text{Ran}^u(\mathbb{R}^n)))$ given by evaluation at 0.

Lemma 4.2.8. *The classifying space of the fiber of the functor*

$$\mathrm{Fun}^{W_n}([1], \mathrm{Exit}(\mathrm{Ran}^u(\mathbb{R}^n))) \xrightarrow{ev_0} \mathrm{Fun}^{W_n}([0], \mathrm{Exit}(\mathrm{Ran}^u(\mathbb{R}^n)))$$

over an object $\underline{S} := S_n \rightarrow S_{n-1} \rightarrow \cdots \rightarrow S_1$ is the product space

$$\prod_{s \in S_n} \mathrm{Exit}(\mathrm{Ran}^u(T_s \mathbb{R}^n)) \sim$$

indexed by S_n of the maximal ∞ -subgroupoid of the exit-path ∞ -category of the unital Ran space of the tangent space of \mathbb{R}^n at $s \in S_n$.

Proof. Fix an object $\underline{S} := (S_n \rightarrow S_{n-1} \rightarrow \cdots \rightarrow S_1) \in \mathrm{Fun}([0], \mathrm{Exit}(\mathrm{Ran}^u(\mathbb{R}^n)))$. Our procedure for identifying the fiber over \underline{S} has two steps. First recall the Fox-Neuwirth stratification of the unordered configuration space $\nu_{\Sigma_r} : \mathrm{Conf}_r(\mathbb{R}^n)_{\Sigma_r} \rightarrow n\mathrm{Ord}(\underline{r})_{\Sigma_r}$ (Obs A.1.11). The first step is to show that there exists a refinement (Def. 1.1.4) of the stratified space

$$(57) \quad \prod \prod \nu_{\Sigma_r} : \prod_{s \in S_n} \prod_{r \geq 0} \mathrm{Conf}_r(T_s \mathbb{R}^n)_{\Sigma_r} \longrightarrow \prod_{s \in S_n} \prod_{r \geq 0} n\mathrm{Ord}(\underline{r})_{\Sigma_r}$$

where the stratification is given by taking the product of the coproduct of the Fox-Neuwirth stratification of the configuration space of the tangent space of \mathbb{R}^n at $s \in S_n$. (Note that products of stratified spaces emit a natural stratification (Ex. 2.1.7, [5]).) Just like in the proof of Lemma 4.2.7, for each $s \in S_n$, choose a smooth open embedding

$$(58) \quad T_s \mathbb{R}^n \hookrightarrow \mathbb{R}^n$$

which carries the origin to s such that the images $\{U_s\}_{s \in S_n}$ are disjoint. The inclusions $\prod_{s \in S_n} U_s \hookrightarrow \mathbb{R}^n$ determine an inclusion of the configuration spaces naming an inclusion of the substratified space

$$\mathrm{Conf}_r\left(\prod_{s \in S_n} U_s\right)_{\Sigma_r} \hookrightarrow \mathrm{Conf}_r(\mathbb{R}^n)_{\Sigma_r} \xrightarrow{\nu_{\Sigma_r}} n\mathrm{Ord}(\underline{r})_{\Sigma_r}$$

consisting of configurations of r unordered points in the images $\prod_{s \in S_n} U_s \subset \mathbb{R}^n$ stratified by the Fox-Neuwirth cells. Taking the coproduct over cardinality determines the substratified space

$$(59) \quad \prod_{r \geq 0} \mathrm{Conf}_r\left(\prod_{s \in S_n} U_s\right)_{\Sigma_r} \hookrightarrow \prod_{r \geq 0} \mathrm{Conf}_r(\mathbb{R}^n)_{\Sigma_r} \xrightarrow{\prod \nu_{\Sigma_r}} \prod_{r \geq 0} n\mathrm{Ord}(\underline{r})_{\Sigma_r}$$

consisting of all finite subsets in the images $\prod_{s \in S_n} U_s \hookrightarrow \mathbb{R}^n$ stratified by the Fox-Neuwirth cells.

The open embeddings (58) induce homeomorphisms $\mathrm{Conf}_r(T_s \mathbb{R}^n)_{\Sigma_r} \xrightarrow{\cong} \mathrm{Conf}_r(U_s)_{\Sigma_r}$, which in turn identify the topological spaces

$$(60) \quad \prod_{s \in S_n} \prod_{r \geq 0} \mathrm{Conf}_r(T_s \mathbb{R}^n)_{\Sigma_r} \xrightarrow{\cong} \prod_{s \in S_n} \prod_{r \geq 0} \mathrm{Conf}_r(U_s)_{\Sigma_r} \cong \prod_{r \geq 0} \mathrm{Conf}_r\left(\prod_{s \in S_n} U_s\right)_{\Sigma_r}$$

where the last equivalence is canonical because the subsets U_s are disjoint and we have the empty configuration. The composite of these homeomorphisms (60) is a refinement of stratified spaces, as indicated in the following diagram:

$$(61) \quad \begin{array}{ccc} \prod_{r \geq 0} \mathrm{Conf}_r\left(\prod_{s \in S_n} U_s\right)_{\Sigma_r} & \xrightarrow{\text{refine}} & \prod_{s \in S_n} \prod_{r \geq 0} \mathrm{Conf}_r(T_s \mathbb{R}^n)_{\Sigma_r} \\ \downarrow & & \downarrow \prod \nu_{\Sigma_r} \\ \prod_{r \geq 0} n\mathrm{Ord}(\underline{r})_{\Sigma_r} & \longrightarrow & \prod_{s \in S_n} \prod_{r \geq 0} n\mathrm{Ord}(\underline{r})_{\Sigma_r} \end{array}$$

Let us explain further. The lefthand downward arrow is the Fox-Neuwirth stratification ν_{Σ_r} restricted to configurations in the images $\prod_{s \in S_n} U_s \subset \mathbb{R}^n$. This stratification remembers coordinate coincidence between any points, even those in distinct U_s subsets. The righthand downward arrow

is also determined by the Fox-Neuwirth stratification. However, it only remembers the coordinate coincidence between points in the same U_s subset. Any coordinate coincidence between points in distinct U_s subsets is ignored. Thus, this map of stratified spaces forgets information, meaning the map between posets is a many-to-one map. Therefore, since the top horizontal arrow is a homeomorphism, each stratum of the domain in (61) is embedded into a stratum of the codomain, which verifies that this map is indeed a refinement, completing the first step of the proof.

Our second step is to show that there is an adjunction between the exit-path ∞ -category of the stratified space $\coprod_{r \geq 0} \text{Conf}_r \left(\coprod_{s \in S_n} U_s \right)_{\Sigma_r}$ and the fiber $\text{ev}_0^{-1}(\underline{S}) \subset \text{Fun}^{W_n}([1], \text{Exit}(\text{Ran}^u(\mathbb{R}^n)))$.

First we apply Ayala-Francis-Rozenblyum-Tanaka's exit-path ∞ -category functor (Def. B.2.1) to the inclusion of stratified spaces (59) to obtain the top horizontal functor in the following diagram

$$(62) \quad \begin{array}{ccc} \coprod_{r \geq 0} \text{Exit} \left(\text{Conf}_r \left(\coprod_{s \in S_n} U_s \right)_{\Sigma_r} \right) & \xrightarrow{\text{Exit}((59))} & \coprod_{r \geq 0} \text{Exit}(\text{Conf}_r(\mathbb{R}^n)_{\Sigma_r}) \\ & \searrow \text{straight} & \uparrow \text{target} \\ & & \text{Fun}^{W_n}([1], \text{Exit}(\text{Ran}^u(\mathbb{R}^n))). \end{array}$$

In particular, this functor factors through $\text{Fun}^{W_n}([1], \text{Exit}(\text{Ran}^u(\mathbb{R}^n)))$ by taking the straight-line paths from each $s \in S_n$ (the same idea as that of (52) in the proof of Lemma 4.2.7). We wish to define the value of *straight* on a $[p]$ -point. We use the model of $W_n^{\text{ht}}(r)$ as a simplicial space (inherited from $\text{Exit}(\text{Ran}(\mathbb{R}^n))$) to describe $[p]$ -points in $\text{Exit} \left(\text{Conf}_r \left(\coprod_{s \in S_n} U_s \right)_{\Sigma_r} \right)$, taking advantage of the equivalence from Lemma 4.1.9. Also note that the ∞ -category $\text{Fun}^{W_n}([1], \text{Exit}(\text{Ran}^u(\mathbb{R}^n)))$ inherits a model as a simplicial space from that of $\text{Exit}(\text{Ran}^u(\mathbb{R}^n))$. Recall from Observation 4.1.6 that a $[p]$ -point of $\text{Exit} \left(\text{Conf}_r \left(\coprod_{s \in S_n} U_s \right)_{\Sigma_r} \right)$ is an embedding

$$(63) \quad R \times \Delta^p \hookrightarrow \coprod_{s \in S_n} U_s \times \Delta^p$$

over Δ^p for a set R of cardinality r . Consider the natural decomposition $R = \coprod_{s \in S_n} R_s$ into the subsets of its image contained in each U_s . The $[p]$ -point (63) can be described as a collection of disjoint embeddings

$$(64) \quad R_s \times \Delta^p \xrightarrow{E} U_s \times \Delta^p$$

one for each $s \in S_n$. The value of this $[p]$ -point when $p = 0$ is described by the factorization (52) in the proof of Lemma 4.2.7 using the cone construction, but the same concept applies for any p ; let us make this explicit. For each $s \in S_n$ define

$$(65) \quad \bar{C}(R_s \times \Delta^p) \xrightarrow{E_s} U_s \times \Delta^{p+1}$$

over Δ^{p+1} from the closed cone of the product $R_s \times \Delta^p$ to be the map which carries the cone point to $s \in U_s$ at $t = 0 \in \Delta^{p+1}$ and which carries each $\{r\} \times \{t\} \times \Delta^1$, for $r \in R_s$ and $t \in \Delta^p$, to the straight-line path from s to the point $E_s(r, t)$. The collection of these embeddings (65) for $s \in S_n$ determines a $[p+1]$ -point in $\text{Exit}(\text{Ran}^u(\mathbb{R}^n))$ whose data at $t = 0 \in \Delta^{p+1}$ is the object \underline{S} . Moreover, this $[p+1]$ -point determines the value of (63) under the functor *straight*; let us explain further. Recall from Observation 4.0.6 that a $[p]$ -point in $\text{Fun}^{W_n}([1], \text{Exit}(\text{Ran}^u(\mathbb{R}^n)))$ is a commutative diagram in $\text{Exit}(\text{Ran}^u(\mathbb{R}^n))$ of the shape $[p] \times [1]$ such that the two p -simplices $[p] \cong [p] \times \{0\}$ and $[p] \cong [p] \times \{1\}$ must be $[p]$ -points of the ∞ -subcategory W_n . By taking the identity on \underline{S} the appropriate number

of times, we can build the $[p+1]$ -point (65) of $\text{Exit}(\mathbb{R}^n)$ into a commutative diagram of the shape $[p] \times [1]$. All of the morphisms $\underline{S} \rightarrow R$ given by straight-line paths in (63) comprise the “[p]-thickened walking arrow” of the diagram. Namely, all those arrows $\{i\} \times [1]$ for each $0 \leq i \leq p$. These are not necessarily in W_n . The arrows of $[p] \times \{0\}$ are all the identity on \underline{S} , creating a $[p]$ -point in W_n . Lastly, the p -simplex $[p] \times \{0\}$ is precisely the $[p]$ -point (63) of $\text{Exit}\left(\text{Conf}_r\left(\coprod_{s \in S_n} U_s\right)_{\Sigma_r}\right)$. It, too, is in W_n because $\text{Exit}(\text{Conf}_r(\mathbb{R}^n)_{\Sigma_r})$ embeds fully faithfully into W_n by the equivalences Observation 4.1.7 and Lemma 4.1.9 $\coprod_{r \geq 0} \text{Exit}(\text{Conf}_r(\mathbb{R}^n)_{\Sigma_r}) \simeq \coprod_{r \geq 0} W_n^{\text{hlt}}(r) \simeq W_n^{\text{hlt}} \hookrightarrow W_n$.

By construction, the functor straight in (62) factors through the fiber $\text{ev}_0^{-1}(\underline{S})$

$$\begin{array}{ccc} \coprod_{r \geq 0} \text{Exit}\left(\text{Conf}_r\left(\coprod_{s \in S_n} U_s\right)_{\Sigma_r}\right) & \xrightarrow{\text{straight}} & \text{Fun}^{W_n}([1], \text{Exit}(\text{Ran}^u(\mathbb{R}^n))) \\ & \searrow \text{Str} & \uparrow \\ & & \text{ev}_0^{-1}(\underline{S}) \end{array}$$

We claim that Str is a right adjoint functor. This follows from Lemma 4.1.3. Indeed, observe that in the following commutative diagram of ∞ -categories

$$(66) \quad \begin{array}{ccc} \coprod_{r \geq 0} \text{Exit}\left(\text{Conf}_r\left(\coprod_{s \in S_n} U_s\right)_{\Sigma_r}\right) & \xrightarrow{\text{Str}} & \text{ev}_0^{-1}(\underline{S}) \\ \text{inclusion} \downarrow & & \downarrow \text{target} \\ W_n^{\text{hlt}} & \xrightarrow{\text{inclusion}} & W_n \end{array}$$

both vertical arrows are fully faithful. In Lemma 4.1.3, we showed that the bottom horizontal arrow in (66) is a right adjoint. Thus, it is that Str is a right adjoint functor, as desired.

To finish up the proof, note that Corollary 2.1.28 of [24] states that the classifying spaces of adjoint ∞ -categories are equivalent. Applying this result yields the equivalence

$$(67) \quad \mathcal{B} \text{ev}_0^{-1}(\underline{S}) \simeq \mathcal{B} \coprod_{r \geq 0} \text{Exit}\left(\text{Conf}_r\left(\coprod_{s \in S_n} U_s\right)_{\Sigma_r}\right).$$

Moreover, Corollary 1.2.7 of [5] identifies the classifying space of a value under the Exit functor as its underlying topological space. Recall the refinement

$$\coprod_{r \geq 0} \text{Conf}_r\left(\coprod_{s \in S_n} U_s\right)_{\Sigma_r} \rightarrow \prod_{s \in S_n} \prod_{r \geq 0} \text{Conf}_r(T_s \mathbb{R}^n)_{\Sigma_r}$$

from (61). Refinements always have the same underlying topological space as that which it refines. Thus, the topological space underlying $\coprod_{r \geq 0} \text{Conf}_r\left(\coprod_{s \in S_n} U_s\right)_{\Sigma_r}$ is $\prod_{s \in S_n} \prod_{r \geq 0} \text{Conf}_r(T_s \mathbb{R}^n)_{\Sigma_r}$. Applying Corollary 1.2.7 then, we have the equivalence

$$\mathcal{B} \coprod_{r \geq 0} \text{Exit}\left(\text{Conf}_r\left(\coprod_{s \in S_n} U_s\right)_{\Sigma_r}\right) \simeq \prod_{s \in S_n} \prod_{r \geq 0} \text{Conf}_r(T_s \mathbb{R}^n)_{\Sigma_r}$$

which together with (67) yields the desired equivalence, since for each $s \in S_n$, the maximal ∞ -subgroupoid is identified $\text{Exit}(\text{Ran}^u(T_s \mathbb{R}^n)) \simeq \prod_{r \geq 0} \text{Conf}_r(T_s \mathbb{R}^n)_{\Sigma_r}$. \square

Let us briefly review. We seek to show an equivalence on the level of fibers in (47). We have just shown that the classifying space of the fiber of

$$\text{ev}_0 : \text{Fun}^{W_n}([1], \text{Exit}(\text{Ran}^u(\mathbb{R}^n))) \rightarrow \text{Fun}^{W_n}([0], \text{Exit}(\text{Ran}^u(\mathbb{R}^n)))$$

over \underline{S} is equivalent to the fiber of

$$\text{ev}_0 : \text{mor}(\text{Exit}(\text{Ran}^u(\mathbb{R}^n))) \rightarrow \text{Exit}(\text{Ran}^u(\mathbb{R}^n))^\sim$$

over S , as identified in Lemma 4.2.7. Thus, we have yet to show that this fiber over S is equivalent to the fiber of

$$\mathcal{B}\text{ev}_0 : \mathcal{B}\text{Fun}^{W_n}([1], \text{Exit}(\text{Ran}^u(\mathbb{R}^n))) \rightarrow \mathcal{B}\text{Fun}^{W_n}([0], \text{Exit}(\text{Ran}^u(\mathbb{R}^n)))$$

over \underline{S} , since, in general, the classifying space of a fiber is not inherently equivalent to the fiber of the map induced between classifying spaces. That is to say, for a functor of ∞ -categories $\mathcal{C} \xrightarrow{F} \mathcal{D}$, the classifying space $\mathcal{B}(F^{-1}d)$ of the fiber of F over $d \in \mathcal{D}$ is not necessarily equivalent to the homotopy fiber $(\mathcal{B}F)^{-1}(d)$ of the map induced between the classifying spaces $\mathcal{B}\mathcal{C} \xrightarrow{\mathcal{B}F} \mathcal{B}\mathcal{D}$ over $d \in \mathcal{B}\mathcal{D}$. Quillen's Theorem B [27, 2] identifies the homotopy fibers of the map induced between classifying spaces in favorable cases.

Theorem 4.2.9 (Quillen's Theorem B). *Given a functor between ∞ -categories $\mathcal{C} \xrightarrow{F} \mathcal{D}$, if each morphism $d \xrightarrow{f} d'$ in \mathcal{D} induces a weak equivalence $\mathcal{B}(\mathcal{C}^{d'/}) \xrightarrow{\simeq} \mathcal{B}(\mathcal{C}^{d/})$ between the classifying spaces of the induced ∞ -undercategories, then $\mathcal{B}(\mathcal{C}^{d/})$ is the homotopy fiber of $\mathcal{B}F$ over d and thus, $\mathcal{B}(\mathcal{C}^{d/}) \hookrightarrow \mathcal{B}\mathcal{C} \xrightarrow{\mathcal{B}F} \mathcal{B}\mathcal{D}$ is a fiber sequence.*

Note 4.2.10. Quillen originally proved Theorem B in [27] for categories. Theorem 5.16 in [2] generalizes the result for ∞ -categories, which is the statement of Quillen's Theorem B given above.

We apply Quillen's Theorem B for the situation at hand and identify the homotopy fibers of $\mathcal{B}\text{ev}_0$ as follows.

Lemma 4.2.11. *The fiber of the map of spaces*

$$\mathcal{B}\text{Fun}^{W_n}([1], \text{Exit}(\text{Ran}^u(\mathbb{R}^n))) \xrightarrow{\mathcal{B}\text{ev}_0} \mathcal{B}\text{Fun}^{W_n}([0], \text{Exit}(\text{Ran}^u(\mathbb{R}^n)))$$

over an object $\underline{S} = S_n \rightarrow \cdots \rightarrow S_1$ is equivalent to the classifying space of the fiber of ev_0 over \underline{S} ,

$$(\mathcal{B}\text{ev}_0)^{-1}(\underline{S}) \simeq \mathcal{B}(\text{ev}_0^{-1}(\underline{S})).$$

Proof. Fix a morphism $\underline{S} \xrightarrow{\alpha} \underline{S}'$ in $\text{Fun}^{W_n}([0], \text{Exit}(\text{Ran}^u(\mathbb{R}^n)))$. Recall that the induced monodromy functor α^* is defined as the composite

$$\begin{array}{ccc} \text{ev}_0^{-1}(\underline{S}') & \xrightarrow{\alpha^*} & \text{ev}_0^{-1}(\underline{S}) \\ \downarrow & & \uparrow \mu \\ \text{Fun}^{W_n}([1], \text{Exit}(\text{Ran}^u(\mathbb{R}^n)))^{\underline{S}'} & \xrightarrow{-\circ\alpha} & \text{Fun}^{W_n}([1], \text{Exit}(\text{Ran}^u(\mathbb{R}^n)))^{\underline{S}'} \end{array}$$

where μ is right adjoint to inclusion (which exists by Lemma 2.20 of [2]). The diagram induced upon taking classifying spaces

$$(68) \quad \begin{array}{ccc} \mathcal{B}\text{ev}_0^{-1}(\underline{S}') & \xrightarrow{\mathcal{B}\alpha^*} & \mathcal{B}\text{ev}_0^{-1}(\underline{S}) \\ \simeq \downarrow & & \uparrow \simeq \\ \mathcal{B}\text{Fun}^{W_n}([1], \text{Exit}(\text{Ran}^u(\mathbb{R}^n)))^{\underline{S}'} & \xrightarrow{\mathcal{B}(-\circ\alpha)} & \mathcal{B}\text{Fun}^{W_n}([1], \text{Exit}(\text{Ran}^u(\mathbb{R}^n)))^{\underline{S}'} \end{array}$$

yields the vertical arrows to be equivalences by Corollary 2.1.28 of [24].

We seek to show that $\mathcal{B}\alpha^*$ is an equivalence. Indeed, our desired equivalence

$$(\mathcal{B}ev_0)^{-1}(\underline{\mathcal{S}}) \simeq \mathcal{B}(ev_0^{-1}(\underline{\mathcal{S}}))$$

will follow by Quillen's Theorem B; let us explain further. If $\mathcal{B}\alpha^*$ is an equivalence, then, according to (68), $\mathcal{B}(- \circ \alpha)$ is an equivalence. By Quillen's Theorem B, $\mathcal{B}(- \circ \alpha)$ being an equivalence yields an equivalence

$$(\mathcal{B}ev_0)^{-1}(\underline{\mathcal{S}}) \simeq \mathcal{B}\text{Fun}^{W_n}([1], \text{Exit}(\text{Ran}^u(\mathbb{R}^n)))^{\underline{\mathcal{S}}/}.$$

The upward vertical arrow in (68) is an equivalence between $\mathcal{B}\text{Fun}^{W_n}([1], \text{Exit}(\text{Ran}^u(\mathbb{R}^n)))^{\underline{\mathcal{S}}/}$ and $\mathcal{B}ev_0^{-1}(\underline{\mathcal{S}})$. Thus, $(\mathcal{B}ev_0)^{-1}(\underline{\mathcal{S}})$ is equivalent to $\mathcal{B}ev_0^{-1}(\underline{\mathcal{S}})$.

Now consider the diagram

$$(69) \quad \begin{array}{ccc} \text{Fun}^{W_n}([1], \text{Exit}(\text{Ran}^u(\mathbb{R}^n))) & \xrightarrow{\text{frgt}} & \text{mor}(\text{Exit}(\text{Ran}^u(\mathbb{R}^n))) \\ \text{ev}_0 \downarrow & & \downarrow \text{ev}_0 \\ \text{Fun}^{W_n}([0], \text{Exit}(\text{Ran}^u(\mathbb{R}^n))) & \xrightarrow{\simeq} & \text{Exit}(\text{Ran}^u(\mathbb{R}^n))^\sim \end{array}$$

in which each vertical arrow is a Cartesian fibration. By Observation 4.2.6, the induced monodromy functor α^* is carried by the forgetful functor to the induced monodromy functor of the image of α under the forgetful functor, $\text{frgt}(\alpha)^*$:

$$(70) \quad \begin{array}{ccc} ev_0^{-1}(\underline{\mathcal{S}}') & \xrightarrow{\alpha^*} & ev_0^{-1}(\underline{\mathcal{S}}) \\ \text{frgt} \downarrow & & \downarrow \text{frgt} \\ ev_0^{-1}(S'_n) & \xrightarrow{\text{frgt}(\alpha)^*} & ev_0^{-1}(S_n). \end{array}$$

Observe that $\text{frgt}(\alpha)^*$ is an equivalence precisely because the image of the morphism α under the forgetful functor, $S_n \xrightarrow{\alpha_n} S'_n$, is a bijection. We apply the universal property of localization to the canonical localization $ev_0^{-1}(\underline{\mathcal{S}}) \rightarrow \mathcal{B}ev_0^{-1}(\underline{\mathcal{S}})$ to obtain

$$(71) \quad \begin{array}{ccc} ev_0^{-1}(\underline{\mathcal{S}}) & \xrightarrow{\text{frgt}} & ev_0^{-1}(S_n) \simeq \prod_{s \in S_n} \text{Exit}(\text{Ran}^u(T_s \mathbb{R}^n)_{\Sigma_r})^\sim \\ \downarrow & \dashrightarrow \exists! & \\ \mathcal{B}ev_0^{-1}(\underline{\mathcal{S}}) \simeq \prod_{s \in S_n} \text{Exit}(\text{Ran}^u(T_s \mathbb{R}^n)_{\Sigma_r})^\sim & & \end{array}$$

and observe that such a filler must be an equivalence. We paste (70) and (71) for $\underline{\mathcal{S}}$ and $\underline{\mathcal{S}}'$ together to see that $\mathcal{B}\alpha^*$ is an equivalence:

$$\begin{array}{ccccc} ev_0^{-1}(\underline{\mathcal{S}}') & \xrightarrow{\alpha^*} & ev_0^{-1}(\underline{\mathcal{S}}) & & \\ \downarrow \text{frgt} & \searrow \text{loc} & & \swarrow \text{loc} & \downarrow \text{frgt} \\ & & \mathcal{B}ev_0^{-1}(\underline{\mathcal{S}}') & \xrightarrow{\mathcal{B}\alpha^*} & \mathcal{B}ev_0^{-1}(\underline{\mathcal{S}}) \\ & \swarrow \simeq & & \searrow \simeq & \\ ev_0^{-1}(S'_n) & \xrightarrow{\simeq} & ev_0^{-1}(S_n) & & \end{array}$$

According to (68), the map $\mathcal{B}\alpha^*$ being an equivalence implies that the map $\mathcal{B}(- \circ \alpha)$ is an equivalence. Thus, by Quillen's Theorem B, the fiber of $\mathcal{B}ev_0$ over $\underline{\mathcal{S}}$ is identified as

$$\mathcal{B}\text{Fun}^{W_n}([1], \text{Exit}(\text{Ran}^u(\mathbb{R}^n)))^{\underline{\mathcal{S}}/}$$

which according to (68) is equivalent to $\mathcal{B}ev_0^{-1}(\underline{\mathcal{S}})$. \square

Lemma 4.2.1 which states that the map induced by the forgetful functor

$$\mathcal{B}\text{Fun}^{W_n}([1], \text{Exit}(\text{Ran}^u(\mathbb{R}^n))) \rightarrow \text{mor}(\text{Exit}(\text{Ran}^u(\mathbb{R}^n)))$$

is an equivalence, follows almost immediately.

Proof of Lemma 4.2.1. We first recall (47)

$$(72) \quad \begin{array}{ccc} \mathcal{B}\text{Fun}^{W_n}([1], \text{Exit}(\text{Ran}^u(\mathbb{R}^n))) & \xrightarrow{\text{frgt}} & \text{mor}(\text{Exit}(\text{Ran}^u(\mathbb{R}^n))) \\ \mathcal{B}\text{ev}_0 \downarrow & & \downarrow \text{ev}_0 \\ \mathcal{B}\text{Fun}^{W_n}([0], \text{Exit}(\text{Ran}^u(\mathbb{R}^n))) & \xrightarrow[\text{Lemma 4.1.1}]{\simeq} & \text{Exit}(\text{Ran}^u(\mathbb{R}^n))^\sim. \end{array}$$

First note that the bottom horizontal equivalence in (72) is induced by the forgetful functor from $\text{Exit}(\text{Ran}^u(\mathbb{R}^n))$ to $\text{Exit}(\text{Ran}^u(\mathbb{R}^n))$ since the map between total spaces is induced by the forgetful functor.

Lemmas 4.2.7 and 4.2.11 identify the fibers over the righthand and lefthand vertical arrows of (72), respectively, as equivalent. Thus, the induced long exact sequence in homotopy of each fibration induces a weak homotopy equivalence between the total spaces, which is, in fact, a homotopy equivalence since the total spaces are CW complexes. \square

4.3. The final lemma. The goal of this subsection is prove Lemma 4.0.9 which states that the simplicial space $\mathcal{B}\text{Fun}^{W_n}([\bullet], \text{Exit}(\text{Ran}^u(\mathbb{R}^n)))$ is a complete Segal space. In so doing we verify the hypothesis of Theorem 4.0.7 and complete our proof of our main result Theorem 1.2.1. The proof of Lemma 4.0.9 is technical using Cartesian fibrations and Quillen's Theorem B, and builds off of arguments developed in §4.2. We begin with a key lemma.

Lemma 4.3.1. *Given a pullback of ∞ -categories*

$$(73) \quad \begin{array}{ccc} \mathcal{E} & \xrightarrow{G} & \mathcal{E}' \\ \pi \downarrow & \lrcorner & \downarrow \pi' \\ \mathcal{B} & \xrightarrow{F} & \mathcal{B}' \end{array}$$

in which π' is a Cartesian fibration, if π' satisfies Quillen's Theorem B, then so does π .

Proof. Let $b \xrightarrow{f} b'$ be a morphism in \mathcal{B} . Lemma 2.8 of [2] states that Cartesian fibrations are closed under base change. Thus, π' being a Cartesian fibration and (73) being a pullback implies that π is a Cartesian fibration. By Observation 4.2.6 then, G carries the induced monodromy functor f^* to the induced monodromy functor $F(f)^*$ and yields equivalences between the fibers

$$\begin{array}{ccc} \pi^{-1}(b') & \xrightarrow{f^*} & \pi^{-1}(b) \\ \simeq \downarrow & & \downarrow \simeq \\ \pi'^{-1}(F(b')) & \xrightarrow{F(f)^*} & \pi'^{-1}(F(b)). \end{array}$$

Combining this diagram with the definition of the monodromy functor yields

$$(74) \quad \begin{array}{ccc} \mathcal{E}^{b'} & \xrightarrow{-\circ f} & \mathcal{E}^{b'} \\ \uparrow & & \uparrow \\ \pi^{-1}(b') & \xrightarrow{f^*} & \pi^{-1}(b) \\ \simeq \downarrow & & \downarrow \simeq \\ \pi'^{-1}(F(b')) & \xrightarrow{F(f)^*} & \pi'^{-1}(F(b)) \\ \downarrow & & \downarrow \\ \mathcal{E}'^{F(b')/} & \xrightarrow{-\circ F(f)} & \mathcal{E}'^{F(b)/}. \end{array}$$

The diagram induced upon taking classifying spaces yields the desired result. Indeed, π' satisfying Quillen's Theorem B implies $\mathcal{B}(-\circ F(f))$ is a equivalence and thus, each horizontal arrow resulting between classifying spaces is an equivalence, which in particular means $\mathcal{B}(-\circ f)$ in the following diagram is an equivalence

$$\begin{array}{ccc} \mathcal{B}\mathcal{E}^{b'} & \xrightarrow{\mathcal{B}(-\circ f)} & \mathcal{B}\mathcal{E}^{b'} \\ \simeq \uparrow & & \simeq \uparrow \\ \mathcal{B}\pi^{-1}(b') & \xrightarrow{\mathcal{B}f^*} & \mathcal{B}\pi^{-1}(b) \\ \simeq \downarrow & & \downarrow \simeq \\ \mathcal{B}\pi'^{-1}(F(b')) & \xrightarrow{\mathcal{B}F(f)^*} & \mathcal{B}\pi'^{-1}(F(b)) \\ \downarrow \simeq & & \downarrow \simeq \\ \mathcal{B}\mathcal{E}'^{F(b')/} & \xrightarrow{\mathcal{B}(-\circ F(f))} & \mathcal{B}\mathcal{E}'^{F(b)/}. \end{array}$$

□

Observation 4.3.2. The following diagram of ∞ -categories is pullback

$$(75) \quad \begin{array}{ccc} \mathrm{Fun}^{W_n}([p], \mathrm{Exit}(\mathrm{Ran}^u(\mathbb{R}^n))) & \xrightarrow{\tau} & \mathrm{Fun}^{W_n}(\{1-p < p\}, \mathrm{Exit}(\mathrm{Ran}^u(\mathbb{R}^n))) \\ \sigma \downarrow & \lrcorner & \downarrow s \\ \mathrm{Fun}^{W_n}(\{0 < \dots < p-1\}, \mathrm{Exit}(\mathrm{Ran}^u(\mathbb{R}^n))) & \xrightarrow{t} & \mathrm{Fun}^{W_n}(\{p-1\}, \mathrm{Exit}(\mathrm{Ran}^u(\mathbb{R}^n))). \end{array}$$

Indeed, for an ∞ -category \mathcal{C} , $\mathrm{Fun}([\bullet], \mathcal{C})$ satisfies the Segal condition (Def. 1.1.1), i.e., for each $p \geq 2$, the diagram obtained by replacing $\mathrm{Fun}^{W_n}([p], \mathrm{Exit}(\mathrm{Ran}^u(\mathbb{R}^n)))$ with $\mathrm{Fun}([p], \mathcal{C})$ in (75) is pullback. Using this, it is straightforward to show (75) is pullback.

We are finally ready to prove Lemma 4.0.9 which states that $\mathcal{B}\mathrm{Fun}^{W_n}([\bullet], \mathrm{Exit}(\mathrm{Ran}^u(\mathbb{R}^n)))$ is a complete Segal space.

Proof of Lemma 4.0.9. First we show that $\mathcal{B}\mathrm{Fun}^{W_n}([\bullet], \mathrm{Exit}(\mathrm{Ran}^u(\mathbb{R}^n)))$ satisfies the Segal condition. Consider the diagram of spaces obtained by taking the classifying spaces of (75)

$$(76) \quad \begin{array}{ccc} \mathcal{B}\mathrm{Fun}^{W_n}([p], \mathrm{Exit}(\mathrm{Ran}^u(\mathbb{R}^n))) & \xrightarrow{\mathcal{B}\tau} & \mathcal{B}\mathrm{Fun}^{W_n}(\{p-1 < p\}, \mathrm{Exit}(\mathrm{Ran}^u(\mathbb{R}^n))) \\ \mathcal{B}\sigma \downarrow & & \downarrow \mathcal{B}s \\ \mathcal{B}\mathrm{Fun}^{W_n}(\{0 < \dots < p-1\}, \mathrm{Exit}(\mathrm{Ran}^u(\mathbb{R}^n))) & \xrightarrow{\mathcal{B}t} & \mathcal{B}\mathrm{Fun}^{W_n}(\{p-1\}, \mathrm{Exit}(\mathrm{Ran}^u(\mathbb{R}^n))). \end{array}$$

To show that this diagram is a pullback, we will show that the map induced between fibers of (76) is an equivalence. By Observation 4.2.3, the functor s in (75) is a Cartesian fibration. Further, in the proof of Lemma 4.2.11, we showed that s satisfies Quillen's Theorem B. Thus, (75) satisfies the hypothesis' of Lemma 4.3.1 and we identify the fibers of $\mathcal{B}\sigma$ and $\mathcal{B}s$ over the objects

$$\underline{S}_0 \rightarrow \cdots \rightarrow \underline{S}_{p-1} \text{ in } \mathcal{B}\text{Fun}^{W_n}(\{0 < \cdots < p-1\}, \text{Exit}(\text{Ran}^u(\mathbb{R}^n)))$$

and

$$\underline{S}_{p-1} \text{ in } \mathcal{B}\text{Fun}^{W_n}(\{p-1\}, \text{Exit}(\text{Ran}^u(\mathbb{R}^n)))$$

respectively, as the classifying spaces of the fibers of σ and s over $\underline{S}_0 \rightarrow \cdots \rightarrow \underline{S}_{p-1}$ and \underline{S}_{p-1} , respectively

$$(\mathcal{B}\sigma)^{-1}(\underline{S}_0 \rightarrow \cdots \rightarrow \underline{S}_{p-1}) \simeq \mathcal{B}\sigma^{-1}(\underline{S}_0 \rightarrow \cdots \rightarrow \underline{S}_{p-1})$$

and

$$(\mathcal{B}s)^{-1}(\underline{S}_{p-1}) \simeq \mathcal{B}s^{-1}(\underline{S}_{p-1}).$$

Therefore, because (75) being a pullback implies an equivalence between fibers induced by τ

$$\tau_1 : \sigma^{-1}(\underline{S}_0 \rightarrow \cdots \rightarrow \underline{S}_{p-1}) \xrightarrow{\simeq} s^{-1}(\underline{S}_{p-1})$$

there results an equivalence between fibers of (76) given by $\mathcal{B}\tau_1$

$$(\mathcal{B}\sigma)^{-1}(\underline{S}_0 \rightarrow \cdots \rightarrow \underline{S}_{p-1}) \simeq \mathcal{B}\sigma^{-1}(\underline{S}_0 \rightarrow \cdots \rightarrow \underline{S}_{p-1}) \xrightarrow{\simeq} \mathcal{B}s^{-1}(\underline{S}_{p-1}) \simeq (\mathcal{B}s)^{-1}(\underline{S}_{p-1})$$

which verifies that (76) is a pullback.

Now that we have show that $\mathcal{B}\text{Fun}^{W_n}([\bullet], \text{Exit}(\text{Ran}^u(\mathbb{R}^n)))$ satisfies the Segal condition, we know that its values on $[0]$ and $[1]$ determine all of its higher $[p]$ values. In particular this means that Lemma 4.0.8 extends to an equivalence of spaces

$$(77) \quad \mathcal{B}\text{Fun}^{W_n}([p], \text{Exit}(\text{Ran}^u(\mathbb{R}^n))) \simeq \text{Hom}_{\text{Cat}_\infty}([p], \text{Exit}(\text{Ran}^u(\mathbb{R}^n)))$$

for each $p \geq 0$. Because $\text{Exit}(\text{Ran}^u(\mathbb{R}^n))$ is a complete Segal space, $\text{Hom}_{\text{Cat}_\infty}([\bullet], \text{Exit}(\text{Ran}^u(\mathbb{R}^n)))$ is a complete Segal space as well. Thus, $\mathcal{B}\text{Fun}^{W_n}([\bullet], \text{Exit}(\text{Ran}^u(\mathbb{R}^n)))$ by equivalence (77). \square

We have now verified the hypothesis of Theorem 4.0.7, which means that the localization of $\text{Exit}(\text{Ran}^u(\mathbb{R}^n))$ on W_n is equivalent to the simplicial space $\text{Fun}^{W_n}([\bullet], \text{Exit}(\text{Ran}^u(\mathbb{R}^n)))$. We are finally ready to prove Lemma 4.0.3, which states that the forgetful functor from $\text{Exit}(\text{Ran}^u(\mathbb{R}^n))$ to $\text{Exit}(\text{Ran}^u(\mathbb{R}^n))$ is a localization on W_n .

Proof of Lemma 4.0.3. In the proof of the Lemma 4.0.9, we showed an equivalence

$$(78) \quad \mathcal{B}\text{Fun}^{W_n}([\bullet], \text{Exit}(\text{Ran}^u(\mathbb{R}^n))) \simeq \text{Hom}_{\text{Cat}_\infty}([\bullet], \text{Exit}(\text{Ran}^u(\mathbb{R}^n)))$$

which, in particular means that the hypothesis of Theorem 4.0.7 is satisfied. Thus, by Theorem 4.0.7,

$$\text{Exit}(\text{Ran}^u(\mathbb{R}^n))[W_n^{-1}] \simeq \mathcal{B}\text{Fun}^{W_n}([\bullet], \text{Exit}(\text{Ran}^u(\mathbb{R}^n))).$$

Then, by the equivalence (78), we have an equivalence of simplicial spaces

$$\text{Exit}(\text{Ran}^u(\mathbb{R}^n))[W_n^{-1}] \simeq \text{Hom}_{\text{Cat}_\infty}([\bullet], \text{Exit}(\text{Ran}^u(\mathbb{R}^n)))$$

which establishes that $\text{Exit}(\text{Ran}^u(\mathbb{R}^n))$ localizes on W_n to $\text{Exit}(\text{Ran}^u(\mathbb{R}^n))$.

Note that this localization is given by the forgetful functor from $\text{Exit}(\text{Ran}^u(\mathbb{R}^n))$ to $\text{Exit}(\text{Ran}^u(\mathbb{R}^n))$ because our identification of $\mathcal{B}\text{Fun}^{W_n}([\bullet], \text{Exit}(\text{Ran}^u(\mathbb{R}^n)))$ with $\text{Hom}_{\text{Cat}_\infty}([\bullet], \text{Exit}(\text{Ran}^u(\mathbb{R}^n)))$ was induced by the forgetful functor. (This was proven in Lemma 4.2.1.)

Lastly, we need to show that this localization is over Fin^{op} . In Observation 2.0.9, we observed that the forgetful functor from $\text{Exit}(\text{Ran}^u(\mathbb{R}^n))$ to $\text{Exit}(\text{Ran}^u(\mathbb{R}^n))$ is naturally over Fin^{op} by just

remembering the data of underlying sets at the \mathbb{R}^n level. Then, by the universal property of localization, we have

$$\begin{array}{ccc} \text{Exit}(\text{Ran}^u(\mathbb{R}^n)) & \xrightarrow{\text{frgt}} & \text{Exit}(\text{Ran}^u(\mathbb{R}^n)) \simeq \text{Exit}(\text{Ran}^u(\mathbb{R}^n))[W_n^{-1}] \\ & \searrow \phi_n & \downarrow \phi \\ & & \text{Fin}^{\text{op}} \end{array} \quad \begin{array}{c} \swarrow \exists! \\ \end{array}$$

The unique existence of such a filler is guaranteed because each morphism in W_n gets carried to isomorphisms in Fin^{op} under ϕ_n . Thus, we see that the forgetful functor from $\text{Exit}(\text{Ran}^u(\mathbb{R}^n))$ to $\text{Exit}(\text{Ran}^u(\mathbb{R}^n))$ yields a localization over Fin^{op} . \square

Theorem 3.0.3 and Lemma 4.0.3 together immediately imply our main result, Theorem 1.2.1, that the category Θ_n^{act} localizes to the ∞ -category $\text{Exit}(\text{Ran}^u(\mathbb{R}^n))$.

An immediate corollary to Theorem 1.2.1 is that the wreath product decomposition of Θ_2 induces a likewise decomposition of $\text{Exit}(\text{Ran}^u(\mathbb{R}^2))$.

Corollary 4.3.3. *There is a localization of ∞ -categories*

$$\text{Exit}(\text{Ran}^u(\mathbb{R})) \wr \text{Exit}(\text{Ran}^u(\mathbb{R})) \rightarrow \text{Exit}(\text{Ran}^u(\mathbb{R}^2))$$

from the two fold wreath product of the exit-path ∞ -category of the unital Ran space of \mathbb{R} with itself and the exit-path ∞ -category of the unital Ran space of \mathbb{R}^2 .

5. A NONUNITAL VERSION OF THE MAIN RESULT

In this section, we prove a corollary to Theorem 1.2.1 which identifies the exit-path ∞ -category of the Ran space of \mathbb{R}^n $\text{Exit}(\text{Ran}(\mathbb{R}^n))$ as a localization of a certain subcategory of Θ_n^{act} . This result specializes the localization of Theorem 1.2.1 by restricting $\text{Exit}(\text{Ran}^u(\mathbb{R}^n))$ to its ∞ -subcategory $\text{Exit}(\text{Ran}(\mathbb{R}^n))$.

Recall the definition of $\text{Exit}(\text{Ran}(M))$ (Def. 1.0.10) as the pullback of simplicial spaces

$$\begin{array}{ccc} \text{Exit}(\text{Ran}(M)) & \hookrightarrow & \text{Exit}(\text{Ran}^u(M)) \\ \downarrow & \lrcorner & \downarrow \phi \\ (\text{Fin}_{\neq \emptyset}^{\text{surj}})^{\text{op}} & \hookrightarrow & \text{Fin}^{\text{op}} \end{array}$$

where $\text{Fin}_{\neq \emptyset}^{\text{surj}}$ is the subcategory of finite sets consisting of nonempty sets and only surjective morphisms. As a pullback of ∞ -categories, note that $\text{Exit}(\text{Ran}(M))$ too is an ∞ -category (Cor. 1.1.3).

Remark 5.0.1. The ∞ -category $\text{Exit}(\text{Ran}(M))$ is equivalent to Lurie's exit-path ∞ -category construction (Def. B.1.1) applied to the Ran space of M (Def. A.2.1).

The main result of this section identifies $\text{Exit}(\text{Ran}(\mathbb{R}^n))$ as a localization of a certain subcategory of Θ_n^{act} defined as follows.

Definition 5.0.2. The category Θ_n^{exit} is the subcategory of Θ_n^{act} defined as the pullback

$$\begin{array}{ccc} \Theta_n^{\text{exit}} & \hookrightarrow & \Theta_n^{\text{act}} \\ \downarrow & \lrcorner & \downarrow \tau \\ \text{Fun}(\{1 < \dots < n\}, (\text{Fin}_{\neq \emptyset}^{\text{surj}})^{\text{op}}) & \hookrightarrow & \text{Fun}(\{1 < \dots < n\}, \text{Fin}^{\text{op}}) \end{array}$$

where we recall the functor τ from Observation C.1.10 (defined by the truncation functor tr_i and γ_i).

Heuristically Θ_n^{exit} consists of healthy trees as its objects and all those morphisms that induce surjections between the sets of leaves. We are now able to state the main result of this section which articulates the sense in which $\text{Exit}(\text{Ran}(\mathbb{R}^n))$ is identified combinatorially in terms of Θ_n .

Corollary 5.0.3. *For $n \geq 1$ there is a localization of ∞ -categories*

$$\Theta_n^{\text{exit}} \rightarrow \text{Exit}(\text{Ran}(\mathbb{R}^n))$$

which is contravariant over the category of nonempty finite sets and surjective morphisms.

Recall the category W_n^{hlt} (Def. 4.1.2) which consists of healthy trees as its objects and all those morphisms in Θ_n that induce bijections on the sets of leaves under γ_n to Fin . (Note that we are considering W_n^{hlt} as a subcategory of Θ_n^{act} in light of the equivalence $\text{Exit}(\text{Ran}^u(\mathbb{R}^n)) \simeq \Theta_n^{\text{act}}$ (Thm. 3.0.3).) The localizing subcategory of Corollary 5.0.3 is nearly equivalent to the subcategory W_n^{hlt} . The only difference is that it does not contain the empty tree as an object nor the identity morphism on the empty tree. The definition of the localizing subcategory of Corollary 5.0.3 is as follows.

Definition 5.0.4. The subcategory $(W_n^{\text{hlt}})_{\neq \emptyset}$ of Θ_n^{exit} is defined to be the pullback

$$\begin{array}{ccc} (W_n^{\text{hlt}})_{\neq \emptyset} & \hookrightarrow & W_n^{\text{hlt}} \\ \downarrow & \lrcorner & \downarrow \\ \Theta_n^{\text{exit}} & \hookrightarrow & \Theta_n^{\text{act}} \end{array}$$

of categories.

Heuristically then, $(W_n^{\text{hlt}})_{\neq \emptyset} \hookrightarrow \Theta_n^{\text{exit}}$ has all those nonempty, healthy trees of Θ_n as its objects and only those morphisms that induce bijections between the sets of leaves.

The proof of Corollary 5.0.3 is similar to that of Lemma 4.0.3 in that we identify the localization of Θ_n^{exit} on $(W_n^{\text{hlt}})_{\neq \emptyset}$ using Theorem 4.0.7, which states that if the simplicial space $\mathcal{B}\text{Fun}^{(W_n^{\text{hlt}})_{\neq \emptyset}}([\bullet], \Theta_n^{\text{exit}})$ is a complete Segal space, then it is equivalent to the localization of Θ_n^{exit} on $(W_n^{\text{hlt}})_{\neq \emptyset}$. We do this by extrapolating the argument of Lemma 4.0.3, using the fact that the domain and codomain of Corollary 5.0.3 are ∞ -subcategories of the domain and codomain of the localization of Theorem 1.2.1.

The first lemma that we need follows from Lemma 4.1.3 wherein we showed that there is an adjunction between W_n^{hlt} and W_n . Before stating the lemma we introduce a subcategory of Θ_n^{act} that will be useful for the rest of this section.

Definition 5.0.5. The category $\Theta_n^{\text{act, hlt}}$ is the full subcategory of Θ_n^{act} consisting of all those objects that are healthy trees.

Lemma 5.0.6. *For each $p \geq 0$, the inclusion functor between ∞ -categories*

$$\text{Fun}^{W_n^{\text{hlt}}}([p], \Theta_n^{\text{act, hlt}}) \hookrightarrow \text{Fun}^{W_n}([p], \Theta_n^{\text{act}})$$

induces an equivalence between their classifying spaces

$$\mathcal{B}\text{Fun}^{W_n^{\text{hlt}}}([p], \Theta_n^{\text{act, hlt}}) \xrightarrow{\simeq} \mathcal{B}\text{Fun}^{W_n}([p], \Theta_n^{\text{act}}).$$

Proof. First observe that we can describe the subcategory W_n^{hlt} of W_n as the following pullback of categories over $\Theta_n^{\text{act, hlt}}$

$$\begin{array}{ccc} W_n^{\text{hlt}} & \hookrightarrow & W_n \\ \downarrow & \lrcorner & \downarrow \\ \Theta_n^{\text{act, hlt}} & \hookrightarrow & \Theta_n^{\text{act}} \end{array}$$

where we recall that W_n consists of all the same objects as Θ_n^{act} and all those morphisms that induce bijections on the sets of leaves, and W_n^{hlt} is the full subcategory of W_n consisting of only those trees that are healthy.

In Lemma 4.1.3 we showed that the inclusion functor $W_n^{\text{hlt}} \hookrightarrow W_n$ is a right adjoint. The reader may observe that no where in the proof did we use that the morphisms of W_n^{hlt} and W_n induce bijections between their sets of leaves. Thus, Lemma 4.1.3 immediately extends to an adjunction between $\Theta_n^{\text{act,hlt}}$ and Θ_n^{act} whose right adjoint is given by inclusion. Further, observe that the unit transformation of this adjunction is given by morphisms in W_n . Indeed, for each tree $T \in \Theta_n^{\text{act}}$, the morphism assigned to T by the unit is $T \xrightarrow{\epsilon_T} P_n(T)$, which, in particular, induces a bijection on the leaves, and is thus, in W_n . In identifying that the unit of the right adjoint $\Theta_n^{\text{act,hlt}} \hookrightarrow \Theta_n^{\text{act}}$ is given by morphisms in W_n , we may extend this adjunction to an adjunction between $\text{Fun}^{W_n^{\text{hlt}}}([p], \Theta_n^{\text{act,hlt}})$ and $\text{Fun}^{W_n}([p], \Theta_n^{\text{act}})$ whose right adjoint is inclusion.

Corollary 2.1.28 in [24] states that the classifying space of an adjunction is an equivalence of spaces. Thus, upon taking the classifying space of the right adjoint

$$\text{Fun}^{W_n^{\text{hlt}}}([p], \Theta_n^{\text{act,hlt}}) \hookrightarrow \text{Fun}^{W_n}([p], \Theta_n^{\text{act}}),$$

there results the desired equivalence of spaces. \square

We need another lemma before commencing with the proof of Corollary 5.0.3. First note that the inclusion of the subcategory $\Theta_n^{\text{exit}} \hookrightarrow \Theta_n^{\text{act,hlt}}$ together with the induced inclusion of the respective subcategories $(W_n^{\text{hlt}})_{\neq \emptyset} \hookrightarrow W_n^{\text{hlt}}$ guarantees that for each $p \geq 0$, the induced map $\text{Fun}^{(W_n^{\text{hlt}})_{\neq \emptyset}}([p], \Theta_n^{\text{exit}}) \hookrightarrow \text{Fun}^{W_n^{\text{hlt}}}([p], \Theta_n^{\text{act,hlt}})$ is also an inclusion of a ∞ -subcategory. Towards the proof of Corollary 5.0.3 we need that the map induced between the classifying spaces of this inclusion is, in particular, a monomorphism. This is articulated by the following lemma.

Lemma 5.0.7. *For each $p \geq 0$ the inclusion functor*

$$\text{Fun}^{(W_n^{\text{hlt}})_{\neq \emptyset}}([p], \Theta_n^{\text{exit}}) \hookrightarrow \text{Fun}^{W_n^{\text{hlt}}}([p], \Theta_n^{\text{act,hlt}})$$

induces a monomorphism between classifying spaces

$$\mathcal{B}\text{Fun}^{(W_n^{\text{hlt}})_{\neq \emptyset}}([p], \Theta_n^{\text{exit}}) \hookrightarrow \mathcal{B}\text{Fun}^{W_n^{\text{hlt}}}([p], \Theta_n^{\text{act,hlt}}).$$

To prove this lemma we need a technical result involving the following notion.

Definition 5.0.8. A functor $\mathcal{C} \rightarrow \mathcal{D}$ between ∞ -categories is an *inclusion of a cofactor* if there is an ∞ -category \mathcal{E} and an equivalence between ∞ -categories under \mathcal{C}

$$\mathcal{C} \coprod \mathcal{E} \cong \mathcal{D}.$$

The technical result we need to prove Lemma 5.0.7 is as follows.

Lemma 5.0.9. *A functor $\mathcal{C} \xrightarrow{F} \mathcal{D}$ is an inclusion of a cofactor if and only if F is a monomorphism and for each solid commutative square*

$$(79) \quad \begin{array}{ccc} [0] & \longrightarrow & \mathcal{C} \\ \nu \downarrow & \nearrow \exists & \downarrow F \\ [1] & \longrightarrow & \mathcal{D} \end{array}$$

for either $\nu := \langle 0 \rangle$ or $\nu := \langle 1 \rangle$, there exists a filler.

Proof. First, notice that if F is a monomorphism and (79) is satisfied (with the two possible lifts), then $\mathcal{C} \xrightarrow{F} \mathcal{D}$ is fully faithful. Consider the full ∞ -subcategory $\mathcal{E} \subset \mathcal{D}$ consisting of those objects that are not isomorphic to objects in the image of $\mathcal{C} \rightarrow \mathcal{D}$. Consider the canonical functor

$$\mathcal{C} \coprod \mathcal{E} \longrightarrow \mathcal{D},$$

which is canonically under \mathcal{C} . By design, this functor is essentially surjective, and fully faithful. This established the implication that F being a monomorphism and satisfying (79) implies $\mathcal{C} \xrightarrow{F} \mathcal{D}$ is an inclusion of a cofactor.

We now show the converse. Suppose there is an ∞ -category \mathcal{E} together with an equivalence $\mathcal{C} \coprod \mathcal{E} \simeq \mathcal{D}$ under \mathcal{C} . Consider a solid diagram

$$\begin{array}{ccc} [0] & \longrightarrow & \mathcal{C} \\ \nu \downarrow & \dashrightarrow \exists & \downarrow \\ [1] & \longrightarrow & \mathcal{C} \coprod \mathcal{E} \end{array}$$

The functor $[0] \xrightarrow{\nu} [1]$ has the feature that every object in $[1]$ admits a morphism to or from an object in the image of ν . It follows that there is a unique filler, as desired. \square

We are now ready to prove Lemma 5.0.7.

Proof of Lemma 5.0.7. First we need to verify that the functor

$$\mathrm{Fun}^{(W_n^{\mathrm{hlt}}) \neq \emptyset}([p], \Theta_n^{\mathrm{exit}}) \hookrightarrow \mathrm{Fun}^{W_n^{\mathrm{hlt}}}([p], \Theta_n^{\mathrm{act, hlt}})$$

is an inclusion of a cofactor. In other words, we will show that this functor is a monomorphism and satisfies (79).

Note that because $\mathrm{Fun}^{(W_n^{\mathrm{hlt}}) \neq \emptyset}([p], \Theta_n^{\mathrm{exit}}) \hookrightarrow \mathrm{Fun}^{W_n^{\mathrm{hlt}}}([p], \Theta_n^{\mathrm{act, hlt}})$ is an inclusion of ∞ -categories, it is in particular a monomorphism.

Similar to Observation 4.3.2, it is straightforward to verify that for each $p \geq 0$ the following diagram of ∞ -categories

$$(80) \quad \begin{array}{ccc} \mathrm{Fun}^{(W_n^{\mathrm{hlt}}) \neq \emptyset}([p], \Theta_n^{\mathrm{exit}}) & \longrightarrow & \mathrm{Fun}^{(W_n^{\mathrm{hlt}}) \neq \emptyset}(\{1-p < p\}, \Theta_n^{\mathrm{exit}}) \\ \downarrow & \lrcorner & \downarrow \\ \mathrm{Fun}^{(W_n^{\mathrm{hlt}}) \neq \emptyset}(\{0 < \dots < p-1\}, \Theta_n^{\mathrm{exit}}) & \longrightarrow & \mathrm{Fun}^{(W_n^{\mathrm{hlt}}) \neq \emptyset}(\{p-1\}, \Theta_n^{\mathrm{exit}}). \end{array}$$

is pullback, as it is the diagram obtained by just replacing Θ_n^{exit} with $\Theta_n^{\mathrm{act, hlt}}$. Thus, to verify the diagram (79) for our situation, namely that

$$(81) \quad \begin{array}{ccc} [0] & \longrightarrow & \mathrm{Fun}^{(W_n^{\mathrm{hlt}}) \neq \emptyset}([p], \Theta_n^{\mathrm{exit}}) \\ \nu \downarrow & \dashrightarrow \exists & \downarrow \\ [1] & \longrightarrow & \mathrm{Fun}^{W_n^{\mathrm{hlt}}}([p], \Theta_n^{\mathrm{act, hlt}}) \end{array}$$

is satisfied for all $p \geq 0$, it suffices to show for the cases for $p = 0, 1$. Indeed, it is straightforward to verify that the cases $p = 0, 1$ imply each $p \geq 0$ case upon applying the universal property of pullback from (80) and the diagram obtained by replacing Θ_n^{exit} with $\Theta_n^{\mathrm{act, hlt}}$ in (75).

Both cases, $p = 0, 1$, come down to the following observation. Each morphism in W_n^{hlt} between objects in $\Theta_n^{\mathrm{act, hlt}}$ is a morphism in Θ_n^{exit} . The root reason for this is that surjections enjoy the ‘2 out of 3’ property. Namely, for any commutative triangle of morphisms among sets in which two of the morphisms are surjections, the third map is necessarily a surjection as well. For our situation, any morphism $T \xrightarrow{f} T'$ in W_n^{hlt} yields a bijection between the sets of leaves, $\gamma_n(f) : \gamma_n(T') \xrightarrow{\cong} \gamma_n(T)$. For any $1 \leq i \leq n-1$, in applying the natural transformation ϵ from Observation C.1.8, whose value on T is the natural map between sets of leaves $\gamma_n(T) \xrightarrow{\epsilon_T} \gamma_i(\mathrm{tr}_i(T))$ induced by the structure

of T , we obtain the following diagram among sets:

$$\begin{array}{ccc} \gamma_n(T') & \xrightarrow{\cong} & \gamma_n(T) \\ \epsilon_{T'} \downarrow & & \downarrow \epsilon_T \\ \gamma_i(\mathrm{tr}_i(T')) & \xrightarrow{\gamma_i(\mathrm{tr}_i(f))} & \gamma_i(\mathrm{tr}_i(T)). \end{array}$$

Observe that because T and T' are healthy trees, both ϵ_T and $\epsilon_{T'}$ are surjections. Then, by the ‘2 out of 3’ property, $\gamma_i(\mathrm{tr}_i(T')) \xrightarrow{\gamma_i(\mathrm{tr}_i(f))} \gamma_i(\mathrm{tr}_i(T))$ is a surjection. Such a surjection at each i guarantees that the image of f under the functor $\Theta_n^{\mathrm{act}} \rightarrow \mathrm{Fun}(\{1 < \dots < n\}, \mathrm{Fin}^{\mathrm{op}})$ lands in $\mathrm{Fun}(\{1 < \dots < n\}, (\mathrm{Fin}_{\neq \emptyset}^{\mathrm{surj}})^{\mathrm{op}})$ and is thus, a morphism in Θ_n^{exit} . Using this observation, we now verify (81) for the cases $p = 0, 1$.

For $p = 0$, the desired lift in

$$\begin{array}{ccc} [0] & \xrightarrow{\langle T \rangle} & (W_n^{\mathrm{hlt}})_{\neq \emptyset} \\ \langle 0 \rangle \downarrow & \nearrow \exists & \downarrow \\ [1] & \xrightarrow{\langle T \xrightarrow{f} T' \rangle} & W_n^{\mathrm{hlt}} \end{array}$$

is given by selecting out the morphism $T \xrightarrow{f} T'$, which is in Θ_n^{exit} because each morphism in W_n^{hlt} between objects in $\Theta_n^{\mathrm{act, hlt}}$ is a morphism in Θ_n^{exit} , as previously discussed. A similar argument yields a lift for the square whose downward arrow on the left is $\langle 1 \rangle$.

For $p = 1$, the desired lift in

$$\begin{array}{ccc} [0] & \longrightarrow & \mathrm{Fun}^{(W_n^{\mathrm{hlt}})_{\neq \emptyset}}([1], \Theta_n^{\mathrm{exit}}) \\ \langle 0 \rangle \downarrow & \nearrow \exists & \downarrow \\ [1] & \xrightarrow{\alpha} & \mathrm{Fun}^{W_n^{\mathrm{hlt}}}([1], \Theta_n^{\mathrm{act, hlt}}) \end{array}$$

is again given by α , which is straightforward to check upon applying the fact discussed above, that each morphism in W_n^{hlt} between objects in $\Theta_n^{\mathrm{act, hlt}}$ is a morphism in Θ_n^{exit} . A similar argument applies for the square whose downward arrow on the left is $\langle 1 \rangle$.

Thus, $\mathrm{Fun}^{(W_n^{\mathrm{hlt}})_{\neq \emptyset}}([p], \Theta_n^{\mathrm{exit}}) \hookrightarrow \mathrm{Fun}^{W_n^{\mathrm{hlt}}}([p], \Theta_n^{\mathrm{act, hlt}})$ is an inclusion of a cofactor, meaning the target is equivalent to a coproduct, one term of which is the source. Because the classifying space respects colimits, the induced map between classifying spaces $\mathcal{B}\mathrm{Fun}^{(W_n^{\mathrm{hlt}})_{\neq \emptyset}}([p], \Theta_n^{\mathrm{exit}}) \hookrightarrow \mathcal{B}\mathrm{Fun}^{W_n^{\mathrm{hlt}}}([p], \Theta_n^{\mathrm{act, hlt}})$ is, in particular, still a monomorphism. \square

Finally we are equipped to prove the main result of this section, Corollary 5.0.3.

Proof of Corollary 5.0.3. Just like in the proof of Lemma 4.0.3, we employ Theorem 4.0.7 which states that if the classifying space of $\mathrm{Fun}^{(W_n^{\mathrm{hlt}})_{\neq \emptyset}}([\bullet], \Theta_n^{\mathrm{exit}})$ is a complete Segal space, then it is equivalent to the localization of Θ_n^{exit} on $(W_n^{\mathrm{hlt}})_{\neq \emptyset}$. First we need to show that there is an equivalence of simplicial spaces from the classifying space of $\mathrm{Fun}^{(W_n^{\mathrm{hlt}})_{\neq \emptyset}}([\bullet], \Theta_n^{\mathrm{exit}})$ to $\mathrm{Hom}_{\mathrm{Cat}_{\infty}}([\bullet], \mathrm{Exit}(\mathrm{Ran}(\mathbb{R}^n)))$. Observe the following diagram of simplicial spaces

$$(82) \quad \begin{array}{ccccc} \mathcal{B}\mathrm{Fun}^{(W_n^{\mathrm{hlt}})_{\neq \emptyset}}([\bullet], \Theta_n^{\mathrm{exit}}) & \xrightarrow{\text{Lem. 5.0.7}} & \mathcal{B}\mathrm{Fun}^{W_n^{\mathrm{hlt}}}([\bullet], \Theta_n^{\mathrm{act, hlt}}) & \xrightarrow{\cong} & \mathcal{B}\mathrm{Fun}^{W_n}([\bullet], \Theta_n^{\mathrm{act}}) \\ \downarrow \text{dashed} & & & \swarrow \cong & \\ \mathrm{Hom}_{\mathrm{Cat}_{\infty}}([\bullet], \mathrm{Exit}(\mathrm{Ran}(\mathbb{R}^n))) & \hookrightarrow & \mathrm{Hom}_{\mathrm{Cat}_{\infty}}([\bullet], \mathrm{Exit}(\mathrm{Ran}^u(\mathbb{R}^n))) & & \end{array}$$

which we explain as follows. The top horizontal arrow on the left is a monomorphism by Lemma 5.0.7, the top horizontal arrow on the right is an equivalence by Lemma 5.0.6, and the downward arrow on the right is an equivalence by Lemmas 4.0.8 and 4.0.9. Because $\text{Exit}(\text{Ran}(\mathbb{R}^n))$ is a ∞ -subcategory of $\text{Exit}(\text{Ran}^u(\mathbb{R}^n))$, the bottom horizontal arrow is a monomorphism. Lastly, to define the induced downward functor on the left of (82), first recall the definition of $\text{Exit}(\text{Ran}(M))$ for $M = \mathbb{R}^n$ as an ∞ -subcategory of $\text{Exit}(\text{Ran}^u(\mathbb{R}^n))$ given as a pullback over surjective finite sets (Def. 1.0.10). The downward arrow on the righthand side of (82) is induced by the unique (up to a contractible space of choices) functor given by the universal property of pullback in the following diagram of ∞ -categories

$$(83) \quad \begin{array}{ccccc} & & \Theta_n^{\text{act}} & \longrightarrow & \text{Exit}(\text{Ran}^u(\mathbb{R}^n)) \\ & \nearrow & \downarrow & & \downarrow \\ \Theta_n^{\text{exit}} & \xrightarrow{\exists!} & \text{Exit}(\text{Ran}(\mathbb{R}^n)) & \longrightarrow & \text{Exit}(\text{Ran}^u(\mathbb{R}^n)) \\ & \searrow & \downarrow & & \downarrow \\ & & \text{Fun}(\{1 < \dots < n\}, \text{Fin}^{\text{op}}) & \xrightarrow{\text{ev}_n} & \text{Fin}^{\text{op}} \\ & \downarrow & \downarrow & & \downarrow \\ \text{Fun}(\{1 < \dots < n\}, (\text{Fin}_{\neq \emptyset}^{\text{surj}})^{\text{op}}) & \xrightarrow{\text{ev}_n} & (\text{Fin}_{\neq \emptyset}^{\text{surj}})^{\text{op}} & & \end{array}$$

Note that the top, back horizontal functor is the localization from Theorem 1.2.1 and the square on the right wall is the definition of $\text{Exit}(\text{Ran}^u(\mathbb{R}^n))$ as pullback (Def. 1.0.10). Also note that we apply the universal property of the classifying space to ensure that the unique functor in (83) from Θ_n^{exit} to $\text{Exit}(\text{Ran}(\mathbb{R}^n))$ induces the functor

$$(84) \quad \mathcal{B}\text{Fun}^{(W_n^{\text{hlt}}) \neq \emptyset}([\bullet], \Theta_n^{\text{exit}}) \xrightarrow{\kappa} \text{Hom}_{\text{Cat}_\infty}([\bullet], \text{Exit}(\text{Ran}(\mathbb{R}^n)))$$

on the lefthand side of (82). We wish to show that κ is an equivalence. First, observe that monomorphisms enjoy the ‘2 out of 3’ property (Obs. 5.4, [4]) and thus, κ is a monomorphism.

All that remains to be shown then is that κ induces a surjection on path components between each space given by the value on $[p]$

$$\mathcal{B}\text{Fun}^{(W_n^{\text{hlt}}) \neq \emptyset}([p], \Theta_n^{\text{exit}}) \xrightarrow{\kappa} \text{Hom}_{\text{Cat}_\infty}([p], \text{Exit}(\text{Ran}(\mathbb{R}^n))).$$

Recall in the beginning of the proof of Lemma 4.0.9 that we show $\mathcal{B}\text{Fun}^{W_n}([\bullet], \text{Exit}(\text{Ran}^u(\mathbb{R}^n)))$ satisfies the Segal condition. Observe that the same argument applies to $\mathcal{B}\text{Fun}^{(W_n^{\text{hlt}}) \neq \emptyset}([\bullet], \Theta_n^{\text{exit}})$ to show that it, too, satisfies the Segal condition. Thus, to show κ is a surjection on path components, it suffices to show it for the cases $p = 0, 1$.

For the case $p = 0$, we wish to show that the map of spaces induced by κ

$$\mathcal{B}(W_n^{\text{hlt}})_{\neq \emptyset} \xrightarrow{\kappa} \coprod_{r \geq 1} \text{Conf}_r(\mathbb{R}^n)_{\Sigma_r}$$

is a surjection on path components. This follows from Lemma 4.1.1. Indeed, in the proof we showed a homotopy equivalence between the classifying space of W_n^{hlt} and the coproduct $\coprod_{r \geq 0} \text{Conf}_r(\mathbb{R}^n)_{\Sigma_r}$

(45, 46). The only difference in this case is that $r = 0$ is excluded.

For the case $p = 1$, we wish to show that the map of spaces induced by κ

$$\mathcal{B}\text{Fun}^{(W_n^{\text{hlt}}) \neq \emptyset}([1], \Theta_n^{\text{exit}}) \xrightarrow{\kappa} \text{mor}(\text{Exit}(\text{Ran}(\mathbb{R}^n)))$$

is a surjection on path components. Let $\text{cylr}(S \xrightarrow{f} T) \xrightarrow{E} \mathbb{R}^n \times \Delta^1$ be a point in the target. Recall from (83) that κ is determined by $\Theta_n^{\text{exit}} \hookrightarrow \Theta_n^{\text{act}} \simeq \text{Exit}(\text{Ran}^u(\mathbb{R}^n))$ over $\text{Fun}(\{1 < \dots < n\}, (\text{Fin}_{\neq \emptyset}^{\text{surj}})^{\text{op}})$. Thus, we wish to identify a point in the fiber over E under κ by identifying a

morphism in $\text{Exit}(\text{Ran}^u(\mathbb{R}^n))$ over $(\text{Fin}^{\text{surj}})^{\text{op}}$. Such a morphism is precisely obtained by naming the projection data of E , namely,

$$\begin{array}{ccc}
\text{cylr}(S \xrightarrow{f} T) & \xleftarrow{E} & \mathbb{R}^n \times \Delta^1 \\
\text{pr}_{<n} \downarrow & & \downarrow \\
\text{cylr}(\text{pr}_{<n}(S) \rightarrow \text{pr}_{<n}(T)) & \xleftarrow{\quad} & \mathbb{R}^{n-1} \times \Delta^1 \\
\downarrow & & \downarrow \\
\vdots & & \vdots \\
\downarrow & & \downarrow \\
\text{cylr}(\text{pr}_1(S) \rightarrow \text{pr}_1(T)) & \xleftarrow{\quad} & \mathbb{R} \times \Delta^1
\end{array}$$

the value of which under the functor $\text{Exit}(\text{Ran}^u(\mathbb{R}^n)) \rightarrow \text{Fun}(\{1 < \dots < n\}, \text{Fin}^{\text{op}})$ factors through $\text{Fun}(\{1 < \dots < n\}, (\text{Fin}^{\text{surj}})^{\text{op}})$ precisely because $\text{Exit}(\text{Ran}(\mathbb{R}^n))$ is naturally over $\text{Fun}(\{1 < \dots < n\}, (\text{Fin}^{\text{surj}})^{\text{op}})$ as we can see by its definition as pullback (Def. 1.0.10). Thus, this morphism in $\text{Exit}(\text{Ran}^u(\mathbb{R}^n))$ defines a morphism in Θ_n^{exit} whose value under κ is E . Thus, κ for the case $p = 1$ is a surjection on path components which, as previously argued, implies that κ (84) is an equivalence of simplicial spaces.

The target of κ , $\text{Hom}_{\text{Cat}_\infty}([\bullet], \text{Exit}(\text{Ran}(\mathbb{R}^n)))$ is, in particular, a complete Segal space, and hence, $\mathcal{B}\text{Fun}^{(W_n^{\text{ht}}) \neq \emptyset}([\bullet], \Theta_n^{\text{exit}})$ is a complete Segal space as well. As such, the hypothesis of Theorem 4.0.7 is satisfied and we establish that Θ_n^{exit} localizes on $(W_n^{\text{ht}}) \neq \emptyset$ to $\text{Exit}(\text{Ran}(\mathbb{R}^n))$.

Lastly, to verify that the localization of Corollary 5.0.3 is over $(\text{Fin}^{\text{surj}})^{\text{op}}$, recall that the equivalence κ

$$\mathcal{B}\text{Fun}^{(W_n^{\text{ht}}) \neq \emptyset}([\bullet], \Theta_n^{\text{exit}}) \simeq \text{Hom}_{\text{Cat}_\infty}([\bullet], \text{Exit}(\text{Ran}(\mathbb{R}^n)))$$

is induced by the functor $\Theta_n^{\text{exit}} \rightarrow \text{Exit}(\text{Ran}(\mathbb{R}^n))$ from (83), which is in particular over $(\text{Fin}^{\text{surj}})^{\text{op}}$. This implies that the localization, too, is over $(\text{Fin}^{\text{surj}})^{\text{op}}$. \square

APPENDIX A. STRATIFIED SPACES

Lurking in the background of this work with only a few important appearances deep within the proof of our main result is the notion of a stratified space. This section is devoted to reviewing stratified spaces in order to develop two important examples, namely the stratification of the configuration space of r unordered points in \mathbb{R}^n by its Fox-Neuwirth cells and the stratification of the Ran space of a nonempty smooth connected manifold M by cardinality. Along the way we review two notions of stratified spaces, namely topologically and Whitney stratified spaces. (Note that we touch on conical and conically smooth stratified spaces in the next section (§B).) A key result of this section is that the stratification of the configuration space \mathbb{R}^n by its Fox-Neuwirth cells is Whitney stratified. We begin with the simplest version of a stratified space as follows.

Definition A.0.1 (Def. A.5.1, [21] & Def. 2.1.10, [5]).

- (Topological structure on a poset.) Let P be a partially ordered set. We equip P with the topology that defines $U \subset P$ to be open if and only if it is *closed upwards*: that is, if $a \in U$, then every $b \geq a$ is also in U .
- A *topologically stratified space* $X \xrightarrow{\sigma} P$ is a paracompact, Hausdorff topological space X together with a poset P and a continuous map σ such that for each $p \in P$, the fiber over p is nonempty and connected.

The fiber over $p \in P$ is called the *p-stratum*, which we denote by X_p .

- A *stratified map* from $(X \rightarrow P)$ to $(Y \rightarrow Q)$ is a continuous map $X \xrightarrow{f} Y$ such that

$$\begin{array}{ccc} X & \xrightarrow{f} & Y \\ \downarrow & & \downarrow \\ P & \longrightarrow & Q \end{array}$$

is a commutative diagram of topological spaces.

We will denote a stratified space $X \xrightarrow{S} P$ by its underlying topological space X , if we expect S and P to be understood.

Example A.0.2 (Ex. 1.2.9, [5]). The standard stratification of the topological k -simplex

$$\Delta^k := \{(t_0, \dots, t_k) \in [0, 1]^{k+1} \mid \sum_{i=0}^k t_i = 1\} \rightarrow [k] := \{0 < \dots < k\}$$

is given by

$$(t_0, \dots, t_k) \mapsto \max\{i \mid t_i \neq 0\}.$$

This stratification for Δ^0 , Δ^1 , and Δ^2 is depicted below, from left to right, respectively:



A.1. The Fox-Neuwirth cell stratification. We develop an important example of a stratified space, namely the stratification of the configuration space of \mathbb{R}^n by its Fox-Neuwirth cells.

Let A be a finite, nonempty set, and $\text{Conf}_A(\mathbb{R}^n)$ denote the configuration space of A -labeled points in \mathbb{R}^n . In [12] Fox-Neuwirth decompose $\text{Conf}_A(\mathbb{R}^n)$ into open cells according to coordinate-coincidence. Not only does this decomposition stratify $\text{Conf}_A(\mathbb{R}^n)$, but the stratification is particularly nice as we prove in Theorem A.1.8. We begin by defining the stratifying poset of $\text{Conf}_A(\mathbb{R}^n)$ following Ayala-Hepworth in [6]

Definition A.1.1.

- An n -ordering on A is a pair (S, σ) consisting of a healthy planar level tree (Def. 0.0.1) S of height n and a bijection σ between A and level- n leaves of S . We will usually leave the σ implicit and denote an n -ordering by simply S .
- The leaves of S inherit a canonical linear order, which induces a linear ordering on A that we denote by \leq_S .
- Given $a, b \in A$, the *branching level* of a and b , denoted $b_S(a, b)$, is defined to be the level of the vertex at which the directed paths from a and b to the root first meet.
- The *poset of n -orderings on A* , denoted $n\text{Ord}(A)$, is the poset of n -orderings on A . A morphism $S \rightarrow T$ exists if and only if the following condition, called the *branching condition*, holds: for all $a, b \in A$, $b_T(a, b) \leq b_S(a, b)$, with equality only if the orderings of a and b under $<_T$ and $<_S$ agree.

Definition A.1.2 (Lem. 13, [6]). For an injection $\phi : A \hookrightarrow \mathbb{R}^n$, define S_ϕ to be a tree in $n\text{Ord}(A)$ with the following properties:

- The linear order on the set of leaves labeled by A is given by the lexicographic order on A in \mathbb{R}^n .
- For all $a, b \in A$, the branching number $b(a, b)$ is the largest integer i such that $\phi(a)_i = \phi(b)_i$.

Example A.1.3. Figure 7 depicts a tree S_ϕ and its associated injection $\phi : A = \{1, 2, 3, 4\} \hookrightarrow \mathbb{R}^2$.

We stratify the space of configurations of A -labeled points in Euclidean space over the poset $n\text{Ord}(A)$.

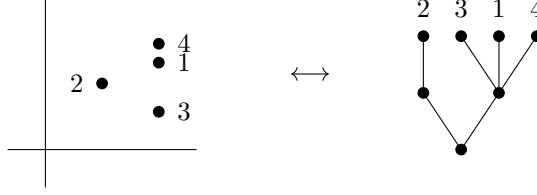


FIGURE 7. The image of ϕ on the left; S_ϕ on the right

Lemma A.1.4. *The map of sets $\nu : \text{Conf}_A(\mathbb{R}^n) \rightarrow n\text{Ord}(A)$ given by*

$$\left(A \xrightarrow{\phi} \mathbb{R}^n \right) \mapsto S_\phi$$

where S_ϕ is from Definition A.1.2, is a topologically stratified space.

Proof. In Lemma 13 of [6] they show that S_ϕ is unique. Thus, ν is well defined.

To show continuity, we will show that the preimage of a closed subset is closed. Take the downward closure of S_ϕ in $n\text{Ord}(A)$ and consider its preimage $\text{Conf}_A(\mathbb{R}^n)_{\leq S_\phi} \subset \text{Conf}_A(\mathbb{R}^n)$. Following Definition 11 of [6], the preimage consists of all those injections $\phi : A \hookrightarrow \mathbb{R}^n$ with the following properties: For each pair $a, b \in A$ with $a <_{S_\phi} b$,

- $\phi(a)_i = \phi(b)_i$ for all $i = 1, \dots, b_{S_\phi}(a, b)$,
- $\phi(a)_i \leq \phi(b)_i$ for $i = b_{S_\phi}(a, b) + 1$.

From this description, it is evident that the preimage is closed in $\text{Conf}_A(\mathbb{R}^n)$. \square

It is evident that the strata of $\nu : \text{Conf}_A(\mathbb{R}^n) \rightarrow n\text{Ord}(A)$ are precisely the Fox-Neuwirth cells. Thus, we make the following definition.

Definition A.1.5. The *Fox-Neuwirth cell stratification* of $\text{Conf}_A(\mathbb{R}^n)$ is the topologically stratified space $\nu : \text{Conf}_A(\mathbb{R}^n) \rightarrow n\text{Ord}(A)$ defined in Lemma A.1.4.

Terminology A.1.6. We denote the Fox-Neuwirth cell stratification $\text{Conf}_A(\mathbb{R}^n) \rightarrow n\text{Ord}(A)$ by $\text{Conf}_A(\mathbb{R}^n)$ when we omit the stratifying poset.

A.1.1. *The Fox-Neuwirth cell stratification is Whitney stratified.* There are many stronger notions of stratified spaces used in topology and geometry. Among these are Whitney stratified spaces due to Mather and Thom [22, 23, 32]. Our immediate goal is to prove that $\text{Conf}_A(\mathbb{R}^n)$ is a Whitney stratified space. Since $\text{Conf}_A(\mathbb{R}^n)$ is a subset of Euclidean space, we only need the definition of a Whitney stratification of a subset of Euclidean space.

Definition A.1.7 (Defs. 2.3 & 2.5, [26]). Let X, Y be smooth submanifolds of \mathbb{R}^n , and let $y \in Y$ be a point.

- (Whitney's condition in \mathbb{R}^n .) The pair (X, Y) is said to satisfy *Whitney's Condition B* at y if for any two sequence of points $(x_i) \subset X$ and $(y_i) \subset Y$ both converging to y such that the sequence of tangent planes $T_{x_i}X$ converges to some vector space τ in the r -Grassmannian of \mathbb{R}^n and the sequence of secant lines $x_i y_i$ converges to some line l in the 1-Grassmannian of \mathbb{R}^n , then $l \subset \tau$.
- (Whitney stratification in \mathbb{R}^n .) A topological stratification $X \rightarrow P$ of a subset of Euclidean space is a *Whitney stratification* if each stratum of X is a smooth submanifold of Euclidean space and Whitney's condition B is satisfied at every point in each pair of strata.

Theorem A.1.8. *The Fox-Neuwirth cell stratification $\nu : \text{Conf}_A(\mathbb{R}^n) \rightarrow n\text{Ord}(A)$ is a Whitney stratification.*

We need the following lemma to prove Theorem A.1.8.

Lemma A.1.9. *Let the cardinality of A be k . Let S be a tree in $n\text{Ord}(A)$ and x be a configuration in the S -stratum $\text{Conf}_A(\mathbb{R}^n)_S$.*

- (1) *The tangent space $T_x \text{Conf}_A(\mathbb{R}^n)$ to x along the S -stratum is canonically identified with Euclidean space $\mathbb{R}^{r_S} \subset \mathbb{R}^{nk}$ for some integer $r_S \leq nk$.*
- (2) *There is a canonical closed embedding*

$$\text{Conf}_A(\mathbb{R}^n)_{\leq S} \hookrightarrow T_x \text{Conf}_A(\mathbb{R}^n)$$

of the fiber over the downward closure of S in $n\text{Ord}(A)$ into the tangent space at the point x in the S -stratum.

Proof. Let S be a tree in $n\text{Ord}(A)$ and let $x \in \text{Conf}_A(\mathbb{R}^n)_S$ be a point in the S -stratum. We can describe the S -stratum explicitly as all those injections $\phi : A \hookrightarrow \mathbb{R}^n$ with the following properties: For each pair $a, b \in A$ with $a <_S b$,

- $\phi(a)_i = \phi(b)_i$ for all $i = 1, \dots, b_S(a, b)$,
- $\phi(a)_i < \phi(b)_i$ for $i = b_S(a, b) + 1$.

This evidently describes an open subset of some Euclidean space $\mathbb{R}^{r_S} \subset \mathbb{R}^{nk}$ whose dimension r_S is determined by the branching numbers of each pair $a <_S b$. Thus, the tangent space $T_x \text{Conf}_A(\mathbb{R}^n)_S$ to the point x in the S -stratum is canonically identified with \mathbb{R}^{r_S} , verifying (1).

Observe that there is an equality

$$\overline{\text{Conf}_A(\mathbb{R}^n)_S} = \text{Conf}_A(\mathbb{R}^n)_{\leq S}$$

between the closure of the S -stratum and the fiber $\text{Conf}_A(\mathbb{R}^n)_{\leq S}$ over the downward closure of S in $n\text{Ord}(A)$. This equality is evident from their explicit descriptions - see the proof of Lemma A.1.4 for the description of $\text{Conf}_A(\mathbb{R}^n)_{\leq S}$. In particular this means that the downward closure $\text{Conf}_A(\mathbb{R}^n)_{\leq S}$ is a closed subset of \mathbb{R}^{r_S} . The canonical equivalence $T_x \text{Conf}_A(\mathbb{R}^n) = \mathbb{R}^{r_S}$ yields a canonical closed embedding $\text{Conf}_A(\mathbb{R}^n)_{\leq S} \hookrightarrow T_x \text{Conf}_A(\mathbb{R}^n)$, which verifies (2). \square

Observation A.1.10. Let V be a vector subspace of a finite dimensional vector space W . The limit of a convergent sequence of vector subspaces in V (in the r -Grassmannian of V) will be a subspace of V (as opposed to being in V^\perp).

Proof of Theorem A.1.8. In the proof of Lemma A.1.9 we identified that each stratum is an open subset of $\mathbb{R}^r \subset \mathbb{R}^{nk}$ for some r depending on the stratum. Hence, each stratum is a smooth submanifold of \mathbb{R}^{nk} . We will verify Whitney's condition B (Def. A.1.7): Let S and T be trees in $n\text{Ord}(A)$ with $T < S$, $(x_i) \subset \text{Conf}_A(\mathbb{R}^n)_S$ and $(y_i) \subset \text{Conf}_A(\mathbb{R}^n)_T$ be sequences in the S - and T -strata converging to a point $y \in \text{Conf}_A(\mathbb{R}^n)_T$ in the T -stratum such that the sequence of tangent spaces $T_{x_i} \text{Conf}_A(\mathbb{R}^n)_S$ is convergent and the sequence of secant lines $x_i y_i$ converges to a line l in the 1-Grassmannian.

The assumption $T < S$ implies that $\text{Conf}_A(\mathbb{R}^n)_T \subset \text{Conf}_A(\mathbb{R}^n)_{\leq S}$. Thus, the canonical closed embedding $\text{Conf}_A(\mathbb{R}^n)_{\leq S} \hookrightarrow T_{x_i} \text{Conf}_A(\mathbb{R}^n)_S$ from Lemma A.1.9 tells us that $y_i \in T_{x_i} \text{Conf}_A(\mathbb{R}^n)_S$ for each i . Moreover, $y_i \in T_{x_i} \text{Conf}_A(\mathbb{R}^n)_S$ implies that each secant line $x_i y_i$ is in $T_{x_i} \text{Conf}_A(\mathbb{R}^n)_S$.

Translating our tangent spaces $T_{x_i} \text{Conf}_A(\mathbb{R}^n)_S$ to the origin via their canonical identifications with \mathbb{R}^{r_S} from Lemma A.1.9 yields the situation of Observation A.1.10: The sequence of secant lines $x_i y_i$ is a sequence of linear subspaces in \mathbb{R}^{r_S} converging to some l , which must also be in \mathbb{R}^{r_S} . Lastly, the sequence of tangent spaces to the x_i is the constant sequence of \mathbb{R}^{r_S} which must converge to \mathbb{R}^{r_S} . This verifies Whitney's condition B at any point in any stratum of $\nu : \text{Conf}_A(\mathbb{R}^n) \rightarrow n\text{Ord}(A)$, which implies that ν is a Whitney stratified space. \square

We now consider the unordered configuration spaces of Euclidean space and argue that Theorem A.1.8 implies that they, too, are Whitney stratified.

Observation A.1.11. The action of Σ_A on the configuration space given by permuting the labels of the points extends to an action on the Fox-Neuwirth stratification of the configuration space by

permuting the leaves in $nOrd(A)$. We quotient out by this action as indicated in the following diagram

$$\begin{array}{ccc} \text{Conf}_A(\mathbb{R}^n) & \xrightarrow{\nu} & nOrd(A) \\ \downarrow / \Sigma_A & & \downarrow / \Sigma_A \\ \text{Conf}_A(\mathbb{R}^n)_{\Sigma_A} & \xrightarrow{\nu_{\Sigma_A}} & nOrd(A)_{\Sigma_A} \end{array}$$

to obtain the *Fox-Neuwirth stratification of the unordered configuration space of \mathbb{R}^n* , $\text{Conf}_A(\mathbb{R}^n)_{\Sigma_A}$.

The quotient map from the ordered to the unordered configuration space is a smooth covering space and is thus, a local diffeomorphism. Since the Whitney condition is local, the following corollary to Theorem A.1.8 is immediate.

Corollary A.1.12. *The unordered Fox-Neuwirth stratification $\nu_{\Sigma_A} : \text{Conf}_A(\mathbb{R}^n)_{\Sigma_A} \rightarrow nOrd(A)_{\Sigma_A}$ is a Whitney stratification.*

A.2. The Ran space. There is one other important example of a stratified space which is central to this work. Recall the unordered configuration space of r points of a manifold M , $\text{Conf}_r(M)_{\Sigma_r}$. As the cardinality r varies, the unordered configuration spaces naturally organize together into one space. Following that of Beilinson-Drinfeld in §3.4.1 of [7], we define this space as follows. Let M be a nonempty smooth connected manifold.

Definition A.2.1. The *Ran space* of M is the topological space whose underlying set is

$$\text{Ran}(M) := \{S \subset M \mid S \text{ is finite and nonempty}\}$$

and whose topology is the finest for which the maps

$$M^r \rightarrow \text{Ran}(M)$$

given by $(m_1, \dots, m_r) \mapsto \{m_1, \dots, m_r\}$ are continuous for all $r \geq 1$.

Famously, the Ran space of a connected manifold is weakly contractable [10] (see [7] for a pleasantly simple proof). However, we can remember the interesting topology of the unordered configuration spaces as subspaces of the Ran space by stratifying the Ran space by cardinality.

Example A.2.2. The Ran space of a connected manifold M admits a stratification over the natural numbers by cardinality

$$\text{Ran}(M) \rightarrow \mathbb{N}$$

assigns to each point $S \subset M$ in $\text{Ran}(M)$ the cardinality of the underlying set S .

Observe that for $r \in \mathbb{N}$, the r -stratum of $\text{Ran}(M)$ is precisely the unordered configuration space $\text{Conf}_r(M)_{\Sigma_r}$.

A.2.1. The unital Ran space. We call the configuration space of all finite subsets of a manifold M , including the empty subset, the *unital Ran space*. We union the empty set to each open set of $\text{Ran}(M)$ to define the topology on the unital Ran space of M , making this a very pathological space. It is not even Hausdorff, for example, which means it is not a stratified space.

Remark A.2.3. There are three other notable, inequivalent topologies on the unital Ran space [9], none of which relate to this work. Indeed, with any of these other topologies, our main result relating configuration spaces of \mathbb{R}^n to the categories Θ_n does not hold. Our topology on the unital Ran space is more akin to what Lurie mentions in Remark 5.5.4.12 of [21] in that the empty set is in every open set.

A.2.2. *The Fox-Neuwirth Ran space of \mathbb{R}^n .* Consider a refinement (Def. 1.1.4) of the stratification of the Ran space of \mathbb{R}^n by cardinality (Ex. A.2.2) by additionally stratifying each unordered configuration space living as a subset of $\mathbf{Ran}(\mathbb{R}^n)$ by its Fox-Neuwirth cells. More precisely, let \underline{r} denote the set $\{1, \dots, r\}$. The *Fox-Neuwirth Ran space of \mathbb{R}^n* is the stratified space

$$\mathbf{Ran}(\mathbb{R}^n) \rightarrow \coprod_{r \geq 1} n\text{Ord}(\underline{r})_{\Sigma_{\underline{r}}}$$

determined by both cardinality and the map $\nu_{\Sigma_{\underline{r}}}$ which is determined by coordinate-coincidence (Obs. A.1.11). We denote this stratified space $\mathbf{Ran}(\mathbb{R}^n)$.

A.2.3. *The Fox-Neuwirth unital Ran space of \mathbb{R}^n does not exist.* Extending the stratification of the Fox-Neuwirth Ran space of \mathbb{R}^n to include the unit faces the same challenge that we saw with the unital Ran space in §A.2.1. Since the underlying topological space $\mathbf{Ran}^u(\mathbb{R}^n)$ is not even a topologically stratified space, we cannot encode the stratification of the configuration spaces by the Fox-Neuwirth cells within it.

APPENDIX B. EXIT-PATH ∞ -CATEGORIES

MacPherson’s ‘exit-path category’ construction was first introduced as a way to classify constructible (locally constant on each stratum) sheaves on stratified spaces [33]. This notion has since evolved into the world of ∞ -categories. Notable to this work is that of Lurie [21] and Ayala-Francis-Rozenblyum-Tanaka [5, 3], both of which are the focus of this section. Also important in this section are a few non-examples of exit-path ∞ -categories which motivate

B.1. Lurie’s exit-path ∞ -category. Our first definition is based on and is equivalent to Definition A.6.2 of [21].

Definition B.1.1. For a stratified space $X \xrightarrow{f} P$, the *exit-path ∞ -category* of X , denoted $\text{Exit}(X)$, is the simplicial set whose value on $[k]$ is the set

$$\{\Delta^k \xrightarrow{\sigma} X \mid \sigma \text{ is a stratified map}\}.$$

Informally, an object of the exit-path ∞ -category is a point in X and a morphism is an ‘exit-path’ in X , i.e., paths that are allowed to witness points moving from a stratum X_p to a stratum X_q if $p \leq q$, but not if $p > q$. In other words, allowable paths agree with the ordering of the poset P . Moreover, these paths must exit immediately due to the standard stratification of the topological 1-simplex Δ^1 (Ex. A.0.2). Indeed, each morphism, as a stratified map from Δ^1 to X , must respect the underlying stratifications of each space. Likewise, 2-morphisms are certain kinds of homotopies between paths in X governed by the standard stratification of Δ^2 (Ex. A.0.2) respecting the stratification of X .

The simplicial set $\text{Exit}(X)$ is guaranteed to be an ∞ -category if the stratified space X is conically stratified (Theorem A.6.4, [21]), which, roughly speaking, means that the stratified space locally looks like the Cartesian product of a cone of a stratified space and a topological space.

Remark B.1.2. In Theorem A.9.3 of [21], Lurie shows that the exit-path ∞ -category also classifies constructible sheaves, so long as the stratified space is conical.

B.2. Ayala-Francis-Rozenblyum-Tanaka’s exit-path ∞ -category. Our second definition of an exit-path ∞ -category, formulated as a small cog in the larger machine of factorization homology, is presented as a functor of ∞ -categories from *conically smooth stratified spaces* to ∞ -categories (modeled as complete Segal spaces). Conically smooth stratified spaces are introduced in [5] and are not easy to define. Roughly speaking, a conically smooth stratified space locally looks like a cone of a stratified space cross Euclidean space, and each of these local cone-like neighborhoods can be glued together smoothly.

Definition B.2.1 (Def. 3.3.1, [3]). For a conically smooth stratified space X , the value $\text{Exit}(X)$ is a simplicial space assigning the p -simplex $[p]$ to the hom-space $\text{Strat}(\Delta^p, X)$, where Strat is the ∞ -category of conically smooth stratified spaces. Here, Δ^p has the standard stratification (Ex. A.0.2).

Definition B.2.1 is equivalent to (Def. B.1.1) for conically smooth stratified spaces (Lem. 3.3.9, [3]). As the authors point out, the difference is model specific.

Remark B.2.2. In Corollary 3.3.11 of [3], Ayala-Francis-Rozenblyum show that their exit-path ∞ -category (Def. B.2.1) classifies constructible sheaves on conically smooth stratified spaces.

Remark B.2.3. Ayala-Francis-Tanaka formulate yet another type of exit-path ∞ -category, called the ‘enter-path ∞ -category’ (Def. 1.1.5, [5]). In Lemma 3.3.9 of [3], Ayala-Francis-Rozenblyum show that it is equivalent to the opposite of Definition B.2.1.

B.2.1. *The exit-path ∞ -category of the Fox-Neuwirth cell stratification of $\text{Conf}_r(\mathbb{R}^n)_{\Sigma_r}$.* We apply Ayala-Francis-Tanaka-Rozenblyum’s exit-path ∞ -category construction to the Fox-Neuwirth cell stratification of $\text{Conf}_r(\mathbb{R}^n)_{\Sigma_r}$ to obtain an ∞ -category which is used in the proof of our main result in §4.

Theorem 1.1 of [26] states that Whitney stratifications are conically smooth. Thus, we have the following corollary to Theorem A.1.8.

Corollary B.2.4. *The unordered Fox-Neuwirth cell stratification $\text{Conf}_A(\mathbb{R}^n)_{\Sigma_A}$ is conically smooth.*

We may now input $\text{Conf}_r(\mathbb{R}^n)_{\Sigma_r}$ into Ayala-Francis-Rozenblyum-Tanaka’s exit-path ∞ -construction to obtain an ∞ -category $\text{Exit}(\text{Conf}_r(\mathbb{R}^n)_{\Sigma_r})$.

Heuristically, the objects of $\text{Exit}(\text{Conf}_r(\mathbb{R}^n)_{\Sigma_r})$ are unlabeled subsets of r points in \mathbb{R}^n . A morphism can be described by a path in $\text{Conf}_r(\mathbb{R}^n)_{\Sigma_r}$ (or a disjoint union of r paths in \mathbb{R}^n) that witnesses the r points move to a configuration with less coordinate coincidence.

B.3. Motivation for the definitions of our exit-path ∞ -categories. We end this section by discussing three non-examples of exit-path ∞ -categories obtained by the methods discussed in this section. We hope that these non-examples provide context to the reader for our choices of Definitions 1, 1.0.10, and 2.0.2.

B.3.1. *The exit-path ∞ -category of the unital Ran space of M .* Recall from §A.2.1 that the unital Ran space of M is not a stratified space. Therefore, it cannot be input for either exit-path ∞ -category construction discussed in this section. This motivates Definition 1.0.4, wherein we directly define the exit-path ∞ -category of the unital Ran space of M as a simplicial space and then show that it is a complete Segal space. Our route to obtaining this ∞ -category allows us to avoid working with the unital Ran space itself while still encoding the pathological behavior of the empty set within it, a feature key to the relationship between the unital Ran space of \mathbb{R}^n and the category Θ_n^{act} .

B.3.2. *The exit-path ∞ -category of the Ran space of M .* Our second non-example of an exit-path ∞ -category obtained by the methods discussed in this section is the exit-path ∞ -category of the Ran space of M . Recall that the Ran space of M is a stratified space (Ex. A.2.2). This stratification, however, is neither conical (2.7 & §4.3, [9]), nor, therefore, conically smooth. This means neither Lurie’s nor Ayala-Francis-Rozenblyum-Tanaka’s exit-path ∞ -category construction applied to $\text{Ran}(M)$ is guaranteed to be an ∞ -category. We define the exit-path ∞ -category of the Ran space of M (Def. 1.0.10) as a certain ∞ -subcategory of the exit-path ∞ -category of the unital Ran space of M .

Remark B.3.1. The Ran space of M with a topology coarser than that of (A.2.1) is conically stratified (Thm. 4.12, [9]) and can therefore be input to Lurie’s construction and will be guaranteed to be an ∞ -category.

However, we conjecture that these two different topologies on the Ran space do not effect the resulting exit-path ∞ -category. In other words, our exit-path ∞ -category of the Ran space of M is

equivalent to Lurie’s construction applied to this courser Ran space of M , as well as our Ran space of M .

B.3.3. *The exit-path ∞ -category of the Fox-Neuwirth unital Ran space of \mathbb{R}^n .* For our final non-example, recall the discussion about the nonexistent Fox-Neuwirth unital Ran space of \mathbb{R}^n (§A.2.3). Because the unital Ran space of \mathbb{R}^n is not even Hausdorff, we cannot stratify it at all. Thus, the methods discussed in this section cannot encode the unital Ran space of \mathbb{R}^n stratified by cardinality and Fox-Neuwirth cells, which is something that this work seeks to do. Our work-around is Definition 2.0.2 wherein we define our desired ∞ -category from scratch as a simplicial space and then show that it satisfies the completeness and Segal conditions.

Remark B.3.2. However elusive the exit-path ∞ -category of the Fox-Neuwirth unital Ran space of \mathbb{R}^n seems, at the end of the day, it is just an ordinary category (Thm. 3.0.3).

APPENDIX C. THE CATEGORIES Θ_n

In this section, we review [8] which defines the category Θ_n as the n -fold wreath product of the simplex category Δ with itself. Along the way, we define the wreath product of categories, Segal’s assembly functors, active morphisms, and basic categorical notions relevant to this work, to make for a self-contained section.

Definition C.0.1. The *simplex category* Δ is the category in which an object is a nonempty, finite, linearly ordered set and a morphism is a non-decreasing map of sets. Composition is composition of maps between sets.

Terminology C.0.2. For each object S of Δ , there is a unique non-negative integer p such that S is canonically isomorphic to the linearly ordered set $[p] := \{0 < \dots < p\}$. We call $[p]$ the *p -simplex* and will henceforth refer to the objects of Δ as *p -simplices*.

Terminology C.0.3. The category of posets Poset has an evident fully faithful embedding into the category of categories Cat . In light of this fully faithful functor, we refer to $[p]$ (Term. C.0.2) as either a linearly ordered set or as the category whose objects are $\{0, 1, \dots, p\}$ and in which there is a unique morphism from i to j precisely when $i \leq j$, and no morphism otherwise.

Definition C.0.4. The category of pointed, finite sets Fin_* is the category in which an object is a finite, pointed set and a morphism is a pointed map; composition is evident.

Notation C.0.5. Given a finite set S , let S_* denote the finite, pointed set $S \coprod \{*\}$.

Definition C.0.6. The *wreath product* $\text{Fin}_* \wr \mathcal{D}$ for an arbitrary category \mathcal{D} is the category defined as follows: An object is a symbol $S(d_s)$ where S is a finite set and $(d_s)_{s \in S}$ is a tuple of objects in \mathcal{D} indexed by S . A morphism $S(d_s) \rightarrow T(e_t)$ consists of a pair of data:

- (1) A morphism $S_* \xrightarrow{\delta} T_*$ in Fin_*
- (2) For each pair $(s \in S, t \in T)$ such that $\delta(s) = t$, a morphism $d_s \xrightarrow{\delta_{st}} e_t$ in \mathcal{D} .

Composition is given by composition in Fin_* and \mathcal{D} .

Observation C.0.7. There is a forgetful functor $\text{Fin}_* \wr \mathcal{D} \rightarrow \text{Fin}_*$ given by $S(d_s) \mapsto S_*$; its value on morphisms is evident.

Definition C.0.8. Given a category $\mathcal{C} \rightarrow \text{Fin}_*$ over the category of based finite sets and a category \mathcal{D} , the *wreath product* $\mathcal{C} \wr \mathcal{D}$ is the pullback of categories

$$\begin{array}{ccc} \mathcal{C} \wr \mathcal{D} & \longrightarrow & \text{Fin}_* \wr \mathcal{D} \\ \downarrow & \lrcorner & \downarrow \\ \mathcal{C} & \longrightarrow & \text{Fin}_* \end{array}$$

where the vertical arrow on the right is the forgetful functor from Observation C.0.7.

Note C.0.9. The formulation of Definition C.0.8 as a universal object naturally allows for its extension to higher categories and, in particular for this work, to ∞ -categories.

We take advantage of the previous observation and define Joyal's category Θ_n over Fin_*^{op} inductively as the n -fold wreath product of the simplex category Δ with itself.

Definition C.0.10. The *assembly functor*

$$\text{Fin}_* \wr \text{Fin}_* \xrightarrow{\nu} \text{Fin}_*$$

is given by the wedge sum. Explicitly, the value of ν on an object $S((T_s)_*)$ is the wedge sum $\bigvee_{s \in S} (T_s)_*$. Its value on a morphism $S((T_s)_*) \rightarrow S'((T_{s'})_*)$ given by

- (1) A morphism $S \xrightarrow{\delta} S'$
- (2) For each pair (s, s') such that $\delta(s) = s'$, a morphism $(T_s)_* \xrightarrow{\delta_{ss'}} (T_{s'})_*$, is

$$\bigvee_{s \in S} (T_s)_* \rightarrow \bigvee_{s' \in S'} (T_{s'})_*$$

defined by $t \in T_s \mapsto \delta_{ss'}(t)$ for every pair (s, s') such that $\delta(s) = s'$.

Definition C.0.11. The *simplicial circle* is the functor

$$\Delta \xrightarrow{\gamma} \text{Fin}_*^{\text{op}}$$

the value of which on an object $[p]$ is the quotient morphism set $\Delta([p], [1]) / \{\{0\}, \{1\}\}$, where $\{i\}$ denotes the constant map at i ; $\{0\} \sim \{1\}$ is the evident basepoint of the image. The value of γ on a morphism $[p] \xrightarrow{f} [q]$ is precomposition with f .

Observation C.0.12. The map induced by γ between each hom-set is injective. This observation comes down to the fact that on morphisms γ is given by precomposition and composition is unique in categories.

Observation C.0.13. There is an evident isomorphism $\gamma([p]) \xrightarrow{\cong} \{1, \dots, p\}_*$ in Fin_* . Let ν_j denote the morphism that assigns each $0 \leq i \leq j-1$ to 0 and each $j \leq i \leq p$ to 1 (i.e., a unique composite of degeneracy maps). The value of ν_j under the isomorphism is j . Its assignment on morphisms, Then is evident.

Terminology C.0.14. In light of the previous observation, we will freely refer to a non-basepoint value in the pointed set $\gamma([p])$ by j for some $1 \leq j \leq p$.

Definition C.0.15. For each integer $n \geq 1$, the categories Θ_n are defined inductively by setting

$$\Theta_1 := \Delta \quad \text{and} \quad \Theta_n := \Theta_1 \wr \Theta_{n-1}$$

where the *assembly functors* $\Theta_n \xrightarrow{\gamma_n} \text{Fin}_*^{\text{op}}$ are also defined inductively by setting

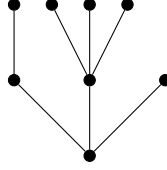
$$\gamma_1 := \gamma \quad \text{and} \quad \gamma_n := \nu \circ (\gamma_1 \wr \gamma_{n-1}).$$

Recall that a planar level tree of height n is a finite rooted tree with an n -order on its set of leaves (Def. 0.0.1). These trees, in fact, naturally describe the objects of Θ_n , as we will explain in the following observation.

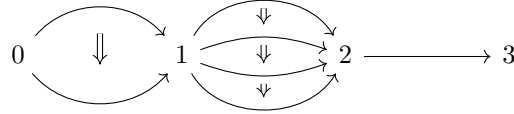
Observation C.0.16 (§4.5, [6]). Finite rooted planar level trees of height n naturally describe the objects of Θ_n as follows: When $n = 1$, the object $[p]$ corresponds to the tree of height 1 that has p leaves. For $n > 1$, the object $[p](T_1, \dots, T_p)$ of Θ_n corresponds to the tree described as follows: The tree which has p vertices at level 1; the i th vertex at level 1 (according to the linear order) is the root of the tree which corresponds to T_i , i.e., it is the subtree consisting of those vertices for which the unique directed path from each one to the root intersects the i th vertex at level 1. In terms of trees, Then the assembly functor γ_n assigns a tree to its set of leaves.

In this paper, we will use this description of the objects of Θ_n whenever convenient. In fact, we often prefer it since it makes the objects of Θ_n so accessible.

Example C.0.17. The object, $[3]([1], [3], [0])$ in Θ_2 , corresponds to the following planar level tree of height 2.



Remark C.0.18. Alternatively (but equivalently), Rezk defined the category Θ_n as the full subcategory of the category of strict n -categories, Cat_n , in which an object is a *pasting diagram* [28]. For example, the object $[3]([1], [3], [0])$ in Θ_2 corresponds to the pasting diagram



C.1. The subcategory Θ_n^{act} of active morphisms of Θ_n . We review the definition of active morphisms in general in order to recall the subcategory of active morphisms of Θ_n . This object is central to our work in that we use it to encode the unordered configuration spaces of \mathbb{R}^n .

Definition C.1.1. The category of finite sets Fin is the category in which an object is a finite set and a morphism is a map of sets; composition is evident.

Definition C.1.2. Given a category $\mathcal{C} \xrightarrow{F} \text{Fin}_*$ over pointed, finite sets, a morphism σ in \mathcal{C} is *active* if $(F(\sigma))^{-1}(\{*\}) = \{*\}$. The subcategory \mathcal{C}^{act} of \mathcal{C} is defined to be the pullback

$$\begin{array}{ccc} \mathcal{C}^{\text{act}} & \hookrightarrow & \mathcal{C} \\ \downarrow & \lrcorner & \downarrow F \\ \text{Fin} & \hookrightarrow & \text{Fin}_*. \end{array}$$

For a category \mathcal{D} , there is a monomorphism $\text{Fin} \wr \mathcal{D} \rightarrow \text{Fin}_* \wr \mathcal{D}$ and thus, the category $\text{Fin} \wr \mathcal{D}$ has an explicit description of objects and morphisms similar to that of $\text{Fin}_* \wr \mathcal{D}$ as given in Definition C.0.6. We will use this description of $\text{Fin} \wr \mathcal{D}$ whenever convenient. Additionally, we would like to point out that given a category $\mathcal{C} \xrightarrow{F} \text{Fin}_*$ over pointed, finite sets, F restricts to a functor $\mathcal{C}^{\text{act}} \rightarrow \text{Fin}_*$ which, by definition, factors through Fin . Evidently Then the category $\mathcal{C}^{\text{act}} \wr \text{Fin}$ is canonically isomorphic to $\mathcal{C}^{\text{act}} \wr \text{Fin}_*$.

The following alternative definition of Θ_n^{act} coincides with that of Definition C.1.2.

Definition C.1.3. For each integer $n \geq 1$, the categories Θ_n^{act} are the subcategories of Θ_n defined inductively by setting

$$\Theta_1^{\text{act}} := \Delta^{\text{act}}$$

and defining $\Theta_n^{\text{act}} := \Theta_1^{\text{act}} \wr \Theta_{n-1}^{\text{act}}$, i.e., the pullback

$$(85) \quad \begin{array}{ccc} \Theta_n^{\text{act}} & \longrightarrow & \text{Fin}^{\text{op}} \wr \Theta_{n-1}^{\text{act}} \\ \downarrow & \lrcorner & \downarrow \text{frgt} \\ \Theta_1^{\text{act}} & \xrightarrow{\gamma_1} & \text{Fin}^{\text{op}}. \end{array}$$

The benefit of this particular formulation of Θ_n^{act} is that it makes the following facts straightforward.

Observation C.1.4. Because the wreath product is associative, equivalently $\Theta_n^{\text{act}} := \Theta_{n-1}^{\text{act}} \wr \Theta_1^{\text{act}}$.

Observation C.1.5. For each n , there is a natural forgetful functor

$$\Theta_n^{\text{act}} \xrightarrow{\text{tr}} \Theta_{n-1}^{\text{act}}.$$

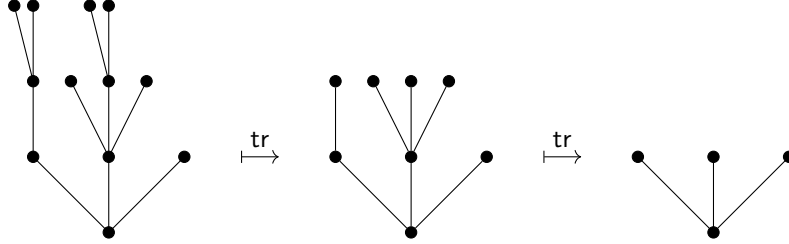
The value on an object $T_{n-1}([m_k]) \in \Theta_{n-1}^{\text{act}} \wr \Theta_1^{\text{act}} =: \Theta_n^{\text{act}}$ is T_{n-1} .

Let $T_{n-1}([m_k]) \xrightarrow{\sigma} W_{n-1}([p_l])$ be a morphism in Θ_n^{act} defined by

- a morphism $T_{n-1} \xrightarrow{\sigma'} W_{n-1}$ in $\Theta_{n-1}^{\text{act}}$ and,
- a morphism $[m_k] \xrightarrow{\sigma^k} [p_l]$ in Θ_1^{act} for each pair (k, l) such that $\gamma_{n-1}(l) = k$.

The value of σ under tr is σ' .

Example C.1.6. Let T be the object of Θ_3 depicted as the far left tree in the figure below. We depict two iterations of the truncation functor tr on T :



Notation C.1.7. For each $1 \leq i \leq n-1$, denote the $(n-i)$ -fold composite of the truncation functor tr by $\text{tr}_i : \Theta_n^{\text{act}} \rightarrow \Theta_i^{\text{act}}$.

Observation C.1.8. For each $1 \leq i \leq n-1$, there is a natural transformation from $\Theta_n^{\text{act}} \xrightarrow{\gamma_n} \text{Fin}^{\text{op}}$ to the composite $\gamma_i \circ \text{tr}_i$,

$$\begin{array}{ccc} \Theta_n^{\text{act}} & & \\ \text{tr}_i \downarrow & \searrow \gamma_n & \\ \Theta_i^{\text{act}} & \xrightarrow{\gamma_i} & \text{Fin}^{\text{op}}. \end{array}$$

For each tree T , the natural transformation ϵ is given by the natural map $\gamma_n(T) \xrightarrow{\epsilon_T} \gamma_i(\text{tr}_i(T))$ from the leaves of T to the leaves of the truncation of T to height i , the assignment of which is the evident one given by the structure of the tree T . It is straightforward to verify that ϵ does indeed define a natural transformation.

Definition C.1.9. Given a category \mathcal{C} , we define $\text{Fun}(\{1 < \dots < n\}, \mathcal{C})$ to be the category in which an object is a functor $\{1 < \dots < n\} \rightarrow \mathcal{C}$ which selects out a sequence of composable morphisms in \mathcal{C} :

$$c_1 \rightarrow c_2 \rightarrow \dots \rightarrow c_n$$

and a morphism from $c_1 \rightarrow c_2 \rightarrow \dots \rightarrow c_n$ to $d_1 \rightarrow d_2 \rightarrow \dots \rightarrow d_n$ is a commutative diagram in \mathcal{C} :

$$\begin{array}{ccc} c_1 & \longrightarrow & d_1 \\ \downarrow & & \downarrow \\ c_2 & \longrightarrow & d_2 \\ \downarrow & & \downarrow \\ \vdots & & \vdots \\ \downarrow & & \downarrow \\ c_n & \longrightarrow & d_n. \end{array}$$

Composition is evident.

Observation C.1.10. We use Observation C.1.8 to define the natural functor

$$\Theta_n^{\text{act}} \xrightarrow{\tau_n} \text{Fun}(\{1 < \dots < n\}, \text{Fin}^{\text{op}})$$

the value of which on an object T is the functor which selects out the sequence of composable maps of sets

$$\gamma_n(T) \xrightarrow{\epsilon_T} \gamma_{n-1}(\text{tr}(T)) \xrightarrow{\epsilon_{\text{tr}(T)}} \gamma_{n-2}(\text{tr}_{n-2}(T)) \rightarrow \dots \rightarrow \gamma_1(\text{tr}_1(T))$$

and on a morphism $T \xrightarrow{f} S$ is the diagram of finite sets

$$\begin{array}{ccc} \gamma_n(S) & \xrightarrow{\gamma_n(f)} & \gamma_n(T) \\ \epsilon_S \downarrow & & \downarrow \epsilon_T \\ \gamma_{n-1}(\text{tr}_{n-1}(S)) & \xrightarrow{\gamma_{n-1}(\text{tr}_{n-1}(f))} & \gamma_{n-1}(\text{tr}_{n-1}(T)) \\ \downarrow & & \downarrow \\ \vdots & & \vdots \\ \downarrow & & \downarrow \\ \gamma_1(\text{tr}_1(S)) & \xrightarrow{\gamma_1(\text{tr}_1(f))} & \gamma_1(\text{tr}_1(T)) \end{array}$$

which is guaranteed to commute in Fin because the downward arrows in the diagram are given by the natural transformation ϵ from Observation C.1.8.

REFERENCES

- [1] David Ayala and John Francis, *Factorization homology of topological manifolds*, J. Topol. **8** (2015), no. 4, 1045-1084. [2](#)
- [2] David Ayala and John Francis, *Fibrations of ∞ -categories*, High. Struct. **4** (2020), no. 1, 168-265. [36](#), [40](#), [47](#), [49](#)
- [3] David Ayala, John Francis, and Nick Rozenblyum, *A stratified homotopy hypothesis*, J. Eur. Math. Soc. (JEMS) **21** (2019), no. 4, 1071-1178. [2](#), [3](#), [4](#), [5](#), [6](#), [7](#), [9](#), [10](#), [11](#), [16](#), [63](#), [64](#)
- [4] David Ayala, John Francis, and Nick Rozenblyum, *Factorization homology 1: higher categories*, Adv. Math. **333** (2018), 1042-1177. [10](#), [57](#)
- [5] David Ayala, John Francis, and Hiro Lee Tanaka, *Local structures on stratified spaces*, Adv. Math. **307** (2017), 903-1028. [2](#), [3](#), [7](#), [11](#), [39](#), [44](#), [46](#), [58](#), [59](#), [63](#), [64](#)
- [6] David Ayala and Richard Hepworth, *Configuration spaces and Θ_n* , Proc. Amer. Math. Soc. **142** (2014), no. 7, 2243-2254. [2](#), [3](#), [4](#), [59](#), [60](#), [66](#)
- [7] Alexander Beilinson and Vladimir Drinfeld, *Chiral algebras*, American Mathematical Society, 1969. [62](#)
- [8] Clemens Berger, *Iterated wreath product of the simplex category and iterated loop spaces*, Adv. Math. **213** (2007), 230-270. [2](#), [65](#)
- [9] Cepek, Anna; LeJay, Damien. *On the topologies of the exponential*, Port. Math. (2024), published online first. [62](#), [64](#)
- [10] Doug Curtis and Nguyen To Nhu, *Hyperspaces of finite subsets which are homeomorphic to \aleph_0 -dimensional linear metric spaces*, Top. Appl. **19** (1985), no. 3, 251-260. [62](#)
- [11] William Dwyer, Kathryn Hess, and Ben Knudsen, *Configuration spaces of products*, Trans. Amer. Math. Soc. **371** (2019), 2963-2985. [5](#)
- [12] Ralph Fox and Lee Paul Neuwirth, *The braid groups*, Math. Scand. **10** (1962), 119-126. [3](#), [59](#)
- [13] Chad Giusti and Dev Sinha, *Fox-Neuwirth cell structures and the cohomology of symmetric groups*, In Configuration spaces, CRM Series **14**, 273-298, 2012. [3](#)
- [14] Paul Goerss and John Jardine, *Simplicial homotopy theory*, Progress in Mathematics **174** (1999). [25](#)
- [15] Thomas Goodwillie and Michael Weiss, *Embeddings from the point of view of immersion theory II*, Geom. Topol. **3** (1999), 103-118. [1](#)
- [16] Andre Joyal, *Discs, duality and theta-categories*, Preprint, 1997. [2](#)
- [17] Andre Joyal, *Quasi-categories and Kan complexes*, Special volume celebrating the 70th birthday of Professor Max Kelly. J. Pure Appl. Algebra **175** (2002), no. 1-3, 207-222. [2](#), [6](#)
- [18] Andre Joyal and Myles Tierney, *Quasi-categories vs Segal spaces*, In Categories in algebra, geometry and mathematical physics, Contemp. Math. **431**, 277-326, 2007. [6](#)
- [19] Ben Knudsen, *Configuration spaces in algebraic topology*, Preprint, 2018. [1](#)
- [20] Riccardo Longoni and Paolo Salvatore, *Configuration spaces are not homotopy invariant*, Topology **44** (2005), no.2, 375-380. [1](#)
- [21] Jacob Lurie, *Higher algebra*, Preprint, 2017. [2](#), [3](#), [5](#), [6](#), [7](#), [58](#), [62](#), [63](#)

- [22] John Mather, *Notes on topological stability*, Bull. AMS **49** (1970), no. 4, 475-506. [60](#)
- [23] John Mather, *Stratifications and mappings*, In Dynamical Systems, Academic Press, 195-223, 1973. [60](#)
- [24] Aaron Mazel-Gee, *Ph.D. thesis*, UC Berkeley, 2016. [4](#), [7](#), [39](#), [46](#), [47](#), [54](#)
- [25] Aaron Mazel-Gee, *The universality of the Rezk nerve*, Algebr. Geom. Topol. **19** (2019), 3217-3260. [35](#)
- [26] Guglielmo Nocera and Marco Volpe, *Whitney stratifications are conically smooth*, Sel. Math. New Ser. **29**, 68 (2023). [7](#), [60](#), [64](#)
- [27] Daniel Quillen, *Higher algebraic K-theory: I*, In Higher K-Theories, Lecture Notes in Mathematics **341**, 2006. [47](#)
- [28] Charles Rezk, *A Cartesian presentation of weak n -categories*, Geom. Topol. **14** (2010), no. 1, 521-571. [67](#)
- [29] Charles Rezk, *A model for the homotopy theory of homotopy theory*, Trans. Amer. Math. Soc. **353** (2001), 973-1007. [6](#), [9](#)
- [30] Charles Rezk, *Stuff about quasicategories*, Preprint, 2019. [6](#)
- [31] Emily Riehl and Dominic Verity, *On the construction of limits and colimits in ∞ -categories*, Theory and Applications of Categories **35** (2020), no. 30, 1101-1158. [6](#)
- [32] René Thom, *Ensembles et morphismes stratifiés*, Bull. Amer. Math. Soc. **75** (1969), no. 5, 240-284. [60](#)
- [33] David Treumann, *Exit paths and constructible stacks*, Compos. Math. **145** (2009), no. 6, 1504-1532. [63](#)
- [34] Michael Weiss, *Embeddings from the point of view of immersion theory I*, Geom. Topol. **3** (1999), 67-101. [1](#)

UNIVERSITY OF OREGON, EUGENE, OR USA
 Email address: cepek@uoregon.edu, anna.cepek@gmail.com