

# The Complexity of Mean-Payoff Pushdown Games<sup>\*,\*\*</sup>

Krishnendu Chatterjee and Yaron Velner

<sup>1</sup> IST Austria

<sup>2</sup> School of Computer Science and Engineering, The Hebrew University, Israel

**Abstract.** Two-player games on graphs are central in many problems in formal verification and program analysis such as synthesis and verification of open systems. In this work we consider solving recursive game graphs (or pushdown game graphs) that model the control flow of sequential programs with recursion. While pushdown games have been studied before with qualitative objectives, such as reachability and  $\omega$ -regular objectives, in this work we study for the first time such games with the most well-studied quantitative objective, namely, mean-payoff objective. In pushdown games two types of strategies are relevant: (1) global strategies, that depend on the entire global history; and (2) modular strategies, that have only local memory and thus do not depend on the context of invocation, but only on the history of the current invocation of the module. Our main results are as follows: (1) One-player pushdown games with mean-payoff objectives under global strategies are decidable in polynomial time. (2) Two-player pushdown games with mean-payoff objectives under global strategies are undecidable. (3) One-player pushdown games with mean-payoff objectives under modular strategies are NP-hard. (4) Two-player pushdown games with mean-payoff objectives under modular strategies can be solved in NP (i.e., both one-player and two-player pushdown games with mean-payoff objectives under modular strategies are NP-complete). We also establish the optimal strategy complexity by showing that global strategies for mean-payoff objectives require infinite memory even in one-player pushdown games; and memoryless modular strategies are sufficient in two-player pushdown games. Finally we also show that all the problems have the same complexity if the stack boundedness condition is added, where along with the mean-payoff objective the player must also ensure that the stack height is bounded.

## 1 Introduction

**Quantitative verification and synthesis of pushdown systems.** *Pushdown automata* (a.k.a pushdown systems) are one of the most basic and fundamental computation models. They extend finite-state systems with a single unbounded stack, to model the call stack of first-order recursive programs, where the control states hold valuations of the programs global variables, and stack characters encode the local variable valuations. The fundamental result for the model-checking of pushdown systems was established by Büchi in [13], who showed how to compute the set of all reachable stack configurations. Since then, other problems of pushdown model-checking (e.g., wrt safety, LTL or  $\omega$ -regular properties) as well as games over pushdown systems have been extensively studied and led to various efficient implementations and applications to program analysis [39, 5, 18, 30, 42, 41, 6]. While the traditional model-checking problem asked for Boolean answers (whether a property is satisfied or not), recent trends explore more quantitative properties, such as performance measure. One of the most fundamental and well-studied quantitative objective is the *mean-payoff* or *long-run average* objective. In this work we study the verification and synthesis problem of pushdown systems with mean-payoff objectives. We start with the description of finite-state game graphs, and then pushdown systems and its various equivalent models, followed by existing results and then our contribution.

**Games on graphs.** Two-player games played on finite-state graphs provide the mathematical framework to analyze several important problems in computer science as well as mathematics. In particular, when the vertices of the graph represent the states of a reactive system and the edges represent the transitions, then the synthesis problem (Church’s problem) asks for the construction of a winning strategy in a game played on the graph [14, 38, 37, 36]. Game-theoretic formulations have also proved

\* A preliminary version of the paper appeared in LICS (Logic in Computer Science) 2012.

\*\* The research was supported by Austrian Science Fund (FWF) Grant No P 23499-N23, FWF NFN Grant No S11407-N23 (RiSE), ERC Start grant (279307: Graph Games), Microsoft faculty fellows award, the Israeli Centers of Research Excellence (I-CORE) program, (Center No. 4/11), and the RICH Model Toolkit (ICT COST Action IC0901).

useful for the verification [4], refinement [31], and compatibility checking [20] of reactive systems. Games played on graphs are dynamic games that proceed for an infinite number of rounds. The vertex set of the graph is partitioned into player-1 vertices and player-2 vertices. The game starts at an initial vertex, and if the current vertex is a player-1 vertex, then player 1 chooses an outgoing edge, and if the current vertex is a player-2 vertex, then player 2 does likewise. This process is repeated forever, and gives rise to an outcome of the game, called a *play*, that consists of the infinite sequence of states that are visited. Two-player games on finite-state graphs with qualitative objectives such as reachability, liveness and  $\omega$ -regular conditions formalized by the canonical parity objectives, strong fairness objectives, etc., have been extensively studied in the literature [29, 23, 24, 44, 40, 28].

**The extensions.** The study of two-player finite-state games with qualitative objectives has been extended in two orthogonal directions in the literature: (1) two-player infinite-state games with qualitative objectives; and (2) two-player finite-state games with quantitative objectives. One of the most well-studied models of infinite-state games with qualitative objectives is pushdown games (or games on recursive state machines) that can model reactive systems with recursion (or model the control flow of sequential programs with recursion). Pushdown games with reachability and parity objectives have been studied in [42, 41, 7, 6] (also see [25, 26, 12, 11] and the recent work of [27] for sample research in stochastic pushdown games). The most well-studied quantitative objective is the *mean-payoff* objective, where a reward is associated with every transition and the goal of one of the players is to maximize the long-run average of the rewards (and the goal of the opponent is to minimize). Two-player finite-state games with mean-payoff objectives have been studied in [22, 45, 35], and more recently applied in synthesis of reactive systems with quality guarantee [8, 17] and robustness [9], as well as interprocedural analysis [16]. Moreover recently many quantitative logics and automata theoretic formalisms have been proposed with mean-payoff objectives in their heart to express properties such as reliability requirements, and resource bounds of reactive systems [15, 10, 21, 2]. Thus pushdown games with mean-payoff objectives would be a central theoretical question for model checking of quantitative logics (specifying reliability and resource bounds) on reactive systems with recursion feature. Several applications of mean-payoff pushdown systems in the context of program analysis, such as, resource usage of containers, static profiling of programs for frequency of function calls, are given in [16, Section 3, Section 5].

**Pushdown mean-payoff games.** In this work we study for the first time pushdown games with mean-payoff objectives (to the best of our knowledge mean-payoff objectives have not been studied in the context of pushdown games). In pushdown games two types of strategies are relevant and studied in the literature. The first are the *global* strategies, where a global strategy can choose the successor state depending on the entire global history of the play (where history is the finite sequence of configurations of the current prefix of a play). The second are the *modular* strategies, and modular strategies are understood more intuitively in the model of games on recursive state machines. A *recursive state machine* (RSM) consists of a set of component machines (or modules). Each module has a set of *nodes* (atomic states) and *boxes* (each of which is mapped to a module), a well-defined interface consisting of *entry* and *exit* nodes, and edges connecting nodes/boxes. An edge entering a box models the invocation of the module associated with the box and an edge leaving the box represents return from the module. In the game version the nodes are partitioned into player-1 nodes and player-2 nodes. Due to recursion the underlying global state-space is infinite and isomorphic to pushdown games. The polynomial-time equivalence of pushdown games and recursive games has been established in [7]. A modular strategy is a strategy that has only local memory, and thus, the strategy does not depend on the context of invocation of the module, but only on the history within the current invocation of the module. In other words, modular strategies are appealing because they are stackless strategies, decomposable into one for each module. In this work we will study pushdown games with mean-payoff objectives for both global and modular strategies.

**Previous results.** Pushdown games with qualitative objectives were studied in [42, 41]. It was shown in [42] that solving pushdown games (i.e., determining the winner in pushdown games) with reachability objectives under global strategies is EXPTIME-hard, and pushdown games with parity objectives under global strategies can be solved in EXPTIME. Thus it follows that pushdown games with reachability and parity objectives under global strategies are EXPTIME-complete. The notion of modular strategies in games on recursive state machines was introduced in [7, 6]. It was shown that the modular strategies problem is NP-complete in pushdown games with reachability and parity objectives in general [7, 6]. The results of [7] also presents more refined complexity results in terms of the num-

ber of exit nodes, showing that if every module has single exit, then the problem is polynomial for reachability objectives [7] and in  $\text{NP} \cap \text{coNP}$  for parity objectives [6].

**Our contributions.** In this work we present a complete characterization of the computational and strategy complexity of pushdown games and pushdown systems (one-player pushdown games or pushdown automata) with mean-payoff objectives. Solving a pushdown system (resp. pushdown game) with respect to a mean-payoff objective is to decide whether there exists a path that (resp. a winning strategy to ensure that every path possible given the strategy) satisfies the mean-payoff objective. Our main results for computational complexity are as follows.

1. *Global strategies.* We show that pushdown systems (one-player pushdown games) with mean-payoff objectives under global strategies can be solved in polynomial time, whereas solving pushdown games with mean-payoff objectives under global strategies is undecidable.
2. *Modular strategies.* Solving pushdown systems with single exit nodes with mean-payoff objectives under modular strategies is NP-hard, and pushdown games with mean-payoff objectives under modular strategies can be solved in NP. Thus both pushdown systems and pushdown games with mean-payoff objectives under modular strategies are NP-complete.

Our results are shown in Table 1. First observe that our hardness result for modular strategies is different from the NP-hardness of [7] because the hardness result of [7] shows hardness for *games* with reachability objectives and requires that the number of modules with multiple exit nodes are not bounded (in fact if every module of the recursive game has a single exit, then the problem is in PTIME for reachability and in  $\text{NP} \cap \text{coNP}$  for parity objectives). In contrast we show that for mean-payoff objectives the problem is NP-hard even for pushdown systems (only one player), where every module has a single exit node, under modular strategies. Second, we also observe the very different complexity of global and modular strategies for mean-payoff objectives in pushdown systems vs pushdown games: the global strategies problem is computationally inexpensive (in PTIME) as compared to the modular strategies problem (which is NP-complete) in pushdown systems; whereas the global strategies problem is computationally infeasible (undecidable) as compared to the modular strategies problem (which is NP-complete) in pushdown games. Also observe that in contrast to finite-state game graphs where the complexities for mean-payoff and parity objectives match, for pushdown systems and games, the complexities of parity and mean-payoff objectives are very different. Along with the computational complexities, we also establish the optimal strategy complexity showing that global winning strategies for mean-payoff objectives in general require infinite memory even in pushdown systems; whereas memoryless or positional (independent of history) strategies suffice for modular strategies for mean-payoff objectives in pushdown games (see Table 2). Finally we also study the stack boundedness conditions where the goal of one player along with maximizing the mean-payoff objective is also to ensure that the height of the stack is bounded. We show that all the complexities for the additional stack boundedness condition along with mean-payoff objectives are the same in pushdown systems and games as without the stack boundedness condition.

**Technical contributions.** Our key technical contributions are as follows. For pushdown systems under global strategies we show that the mean-payoff objective problem can be solved by only considering additional stack height that is polynomial. We then show that the stack height bounded problem can be solved in polynomial time using a dynamic programming style algorithm. For pushdown games under global strategies our undecidability result is obtained by a reduction from the universality problem of *weighted* automata (which is undecidable [34, 1]). For modular strategies we first show the existence of cycle independent modular strategies, and then show that memoryless modular strategies are sufficient. Given memoryless modular strategies and our polynomial-time algorithm for pushdown systems, we obtain the NP upper bound for the modular strategies problem. Our NP-hardness result for modular strategies is a reduction from the 3-SAT problem.

**Organization.** Our paper is organized as follows. In Section 2 (resp. Section 3) we present the results for pushdown systems (resp. pushdown games) under global strategies. In Section 4 we present the results for modular strategies.

## 2 Mean-Payoff Pushdown Graphs

In this section we consider pushdown graphs (or pushdown systems) with mean-payoff objectives. We start with the basic definitions of pushdown systems and valid paths in pushdown systems, and then give the overview of the solution and introduce basic notations.

	Global strategies	Modular strategies
Pushdown systems	PTIME (Theorem 1 and Theorem 2)	NP-complete (NP-hard for single exit) (Theorem 8 and Theorem 9)
Pushdown games	Undecidable (Theorem 6)	NP-complete (Theorem 8 and Theorem 9)

**Table 1.** Computational complexity of pushdown systems and pushdown games with mean-payoff objectives.

	Global strategies	Modular strategies
Pushdown systems	Infinite (Example 1)	Memoryless (Lemma 36)
Pushdown games	Infinite (Example 1)	Memoryless (Lemma 36)

**Table 2.** Strategy complexity of pushdown systems and pushdown games with mean-payoff objectives.

*Stack alphabet and commands.* Let  $\Gamma$  denote a finite set of *stack symbols* (called the stack alphabet), and  $\text{Com}(\Gamma) = \{\text{skip}, \text{pop}\} \cup \{\text{push}(z) \mid z \in \Gamma\}$  denote the set of *stack commands* over  $\Gamma$ . Intuitively, the command *skip* does nothing, *pop* deletes the top element of the stack, *push*( $z$ ) puts  $z$  on the top of the stack. For a stack command  $com$  and a stack string  $\alpha \in \Gamma^+$  we denote by  $com(\alpha)$  the stack string obtained by executing the command  $com$  on  $\alpha$ .

**Weighted pushdown systems.** A *weighted pushdown system (WPS)* (or a weighted pushdown graph) is a tuple:

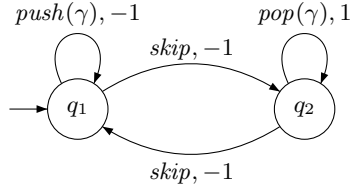
$$\mathcal{A} = \langle Q, \Gamma, q_0 \in Q, E \subseteq (Q \times \Gamma) \times (Q \times \text{Com}(\Gamma)), w : E \rightarrow \mathbb{Z} \rangle,$$

where  $Q$  is a finite set of *states* with  $q_0$  as the initial state;  $\Gamma$  is a finite *stack alphabet* and we assume that there is a special initial stack symbol  $\perp \in \Gamma$ ;  $E$  describes the set of edges or transitions of the pushdown system; and  $w$  is a weight function that assigns integer weights to every edge (and the weights are encoded in binary). A *configuration* of a WPS is a pair  $(\alpha, q)$  where  $\alpha \in \Gamma^+$  is a stack string and  $q \in Q$ . We assume that  $\perp$  can be neither put nor removed from the stack, and thus all configurations must contain  $\perp$  at the bottom of the stack. For a stack string  $\alpha$  we denote by  $\text{Top}(\alpha)$  the top symbol of the stack. The initial configuration of the WPS is  $(\perp, q_0)$ . We use  $W$  to denote the maximal absolute weight of the edge weights.

*Successor configurations, paths, and ultimately periodic paths.* Given a WPS  $\mathcal{A}$ , a configuration  $c_{i+1} = (\alpha_{i+1}, q_{i+1})$  is a *successor configuration* of a configuration  $c_i = (\alpha_i, q_i)$ , if there is an edge  $(q_i, \gamma_i, q_{i+1}, com) \in E$  such that  $com(\alpha_i) = \alpha_{i+1}$ , where  $\gamma_i = \text{Top}(\alpha_i)$ . A *path*  $\pi$  is a sequence of configurations. A path  $\pi = \langle c_1, \dots, c_{n+1} \rangle$  is a *valid path* if for all  $1 \leq i \leq n$  the configuration  $c_{i+1}$  is a successor configuration of  $c_i$  (and the notation is similar for infinite paths). In the sequel we shall refer only to valid paths. Let  $\pi = \langle c_1, c_2, \dots, c_i, c_{i+1}, \dots \rangle$  be a path. We denote by  $\pi[j] = c_j$  the  $j$ -th configuration of the path and by  $\pi[i_1, i_2] = \langle c_{i_1}, c_{i_1+1}, \dots, c_{i_2} \rangle$  the segment of the path from the  $i_1$ -th to the  $i_2$ -th configuration. A path can equivalently be defined as a sequence  $\langle c_1 e_1 e_2 \dots e_n \rangle$ , where  $c_1$  is the first configuration and  $e_i$  are valid transitions. A path  $\pi$  is *ultimately periodic* if there exists a finite sequence  $\xi_1 \in E^*$  and a non-empty finite sequence  $\xi_2 \in E^+$  of transitions such that the path consists of  $\xi_1$  followed by  $\xi_2$  forever, i.e.,  $\pi = \langle c_1 \xi_1 (\xi_2)^\omega \rangle$ . A configuration  $c_r$  is *reachable* if there is a finite path that begins at the initial configuration and ends in  $c_r$ . Similarly, a path  $\pi$  is reachable if its first configuration is reachable.

*Average weights of paths.* For a finite path  $\pi$ , we denote by  $w(\pi)$  the sum of the weights of the edges in  $\pi$  and  $\text{Avg}(\pi) = \frac{w(\pi)}{|\pi|}$ , where  $|\pi|$  is the length of  $\pi$ , denotes the average of the weights. For an infinite path  $\pi$ , we denote by  $\text{LimSupAvg}(\pi)$  (resp.  $\text{LimInfAvg}(\pi)$ ) the limit-sup (resp. limit-inf) of the averages (long-run average or mean-payoff objectives), i.e.,  $\limsup(\text{Avg}(\pi[1, i]))_{i \geq 1}$  (resp.  $\liminf(\text{Avg}(\pi[1, i]))_{i \geq 1}$ ). We say that  $\pi$  is a *positive path* if  $w(\pi) > 0$ , and *negative, non-negative* and *non-positive* paths are similarly defined.

**Mean-payoff objectives with strict and non-strict inequalities.** For a given integer  $r$ , the mean-payoff objective  $\text{LimInfAvg} \bowtie r$  (resp.  $\text{LimSupAvg} \bowtie r$ ) defines the set of infinite paths  $\pi$  such that  $\text{LimInfAvg}(\pi) \bowtie r$  (resp.  $\text{LimSupAvg}(\pi) \bowtie r$ ), where  $\bowtie \in \{\geq, >\}$ . Mean-payoff objectives with integer



**Fig. 1.** WPS  $\mathcal{A}$  to witness ultimately periodic words might not suffice for mean-payoff objectives with non-strict inequality. The *pop* transition is valid only when the stack is not empty. All other transitions are valid for all stack tops

threshold  $r$  can be transformed to threshold 0 by subtracting  $r$  from all transition weights. Hence in this work w.l.o.g we will consider the mean-payoff objectives (i)  $\text{LimInfAvg} > 0$  (resp.  $\text{LimSupAvg} > 0$ ), and call them mean-payoff objectives with strict inequality; and (ii)  $\text{LimInfAvg} \geq 0$  (resp.  $\text{LimSupAvg} \geq 0$ ), and call them mean-payoff objectives with non-strict inequality. We are interested in solving WPSs with mean-payoff objectives, i.e., to decide if there is a path that satisfies the objective.

**Example 1** We now illustrate with an example that ultimately periodic witness paths for non-strict inequality mean-payoff objectives need not exist, and the only witness paths are non-ultimately periodic ones. Consider the WPS  $\mathcal{A}$  with two states  $Q = \{q_1, q_2\}$ , with two symbol stack alphabet  $\Gamma = \{\perp, \gamma\}$ , and the edge set  $E = \{e_1, e_2, \dots, e_5\}$  is described as follows:  $e_1 = (q_1, \perp, q_1, \text{push}(\gamma))$ ,  $e_2 = (q_1, \gamma, q_1, \text{push}(\gamma))$ ,  $e_3 = (q_1, \gamma, q_2, \text{skip})$ ,  $e_4 = (q_2, \gamma, q_2, \text{pop})$ , and  $e_5 = (q_2, \perp, q_1, \text{skip})$ . The weight function is as follows:  $w(e_4) = 1$ , and all other edge weights are  $-1$ . (See Figure 1 for a pictorial description). For  $i \geq 1$ , consider the path segment  $\rho_i = c_1 e_1 e_2^{i-1} e_3 e_4^i e_5$  that executes the edge  $e_1$ , followed by  $(i-1)$ -times the edge  $e_2$ , then the edge  $e_3$ , followed by  $i$ -times the edge  $e_4$ , and finally the edge  $e_5$ . It is straightforward to verify that for the infinite path  $\pi = (\perp, q_1) \rho_1 \rho_2 \rho_3 \dots$  we have that  $\text{LimSupAvg}(\pi) = \text{LimInfAvg}(\pi) = 0$ . However for every valid path  $\pi = c_1 \xi_1 (\xi_2)^\omega$ , where  $\xi_1 \in E^*$  and  $\xi_2 \in E^+$  it must be the case that either (i)  $\xi_2 = e_2$  and then  $\text{LimInfAvg}(\pi) = \text{LimSupAvg}(\pi) = -1$  or that (ii)  $\xi_2$  is a cycle with length  $|\xi_2|$  and has weight at most  $-1$ , and hence  $\text{LimInfAvg}(\pi) \leq \text{LimSupAvg}(\pi) \leq -\frac{1}{|\xi_2|} < 0$ .  $\square$

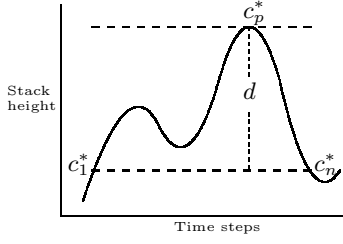
**Overview of the solution.** We first characterize the *pumpable paths* in a pushdown graph that determine the possible mean-payoff values of the graph. In a finite-state graph a path with non-negative mean-payoff exists if and only if there is a finite pumpable path (namely, a cycle) with non-negative weight. For infinite-state graphs, and pushdown graphs in particular, the latter does not hold. However we show that a path with a strictly positive mean-payoff exists if and only if there is a finite pumpable path with positive weight. For this purpose we first characterize the pumpable paths in a pushdown graph and in Section 2.1 we obtain a polynomial algorithm to detect pumpable paths with a positive weight, and hence we get a polynomial-time algorithm to detect a path with a positive mean-payoff in a pushdown graph. In Section 2.2 we show a reduction from the problem of detecting paths with non-negative mean-payoff to the problem of detecting paths with positive mean-payoff and a polynomial-time algorithm for mean-payoff pushdown graphs is obtained.

*Notations.* We shall use (i)  $\gamma$  or  $\gamma_i$  for an element of  $\Gamma$ ; (ii)  $e$  or  $e_i$  for a transition (equivalently an edge) from  $E$ ; (iii)  $\alpha$  or  $\alpha_i$  for a string from  $\Gamma^*$ . For a path  $\pi = \langle c_1, c_2, \dots \rangle = \langle c_1 e_1 e_2 \dots \rangle$  we denote by (i)  $q_i$ : the state of configuration  $c_i$ , and (ii)  $\alpha_i$ : the stack string of configuration  $c_i$ .

*Stack height and additional stack height of paths.* For a path  $\pi = \langle (\alpha_1, q_1), \dots, (\alpha_n, q_n) \rangle$ , the *stack height* of  $\pi$  is the maximal height of the stack in the path, i.e.,  $\text{SH}(\pi) = \max\{|\alpha_1|, \dots, |\alpha_n|\}$ . The *additional stack height* of  $\pi$  is the additional height of the stack in the segment of the path, i.e., the additional stack height  $\text{ASH}(\pi)$  is  $\text{SH}(\pi) - \max\{|\alpha_1|, |\alpha_n|\}$ .

*Pumpable pair of paths.* Let  $\pi = \langle c_1 e_1 e_2 \dots \rangle$  be a finite or infinite path. A *pumpable pair of paths* for  $\pi$  is a pair of non-empty sequence of edges:  $(p_1, p_2) = (e_{i_1} e_{i_1+1} \dots e_{i_1+n_1}, e_{i_2} e_{i_2+1} \dots e_{i_2+n_2})$ , for  $n_1, n_2 \geq 0$ ,  $i_1 \geq 0$  and  $i_2 > i_1 + n_1$  such that for every  $j \geq 0$  the path  $\pi_{(p_1, p_2)}^j$  obtained by pumping the pair  $p_1$  and  $p_2$  of paths  $j$  times each is a valid path, i.e., for every  $j \geq 0$  we have

$$\pi_{(p_1, p_2)}^j = \langle c_1 e_1 e_2 \dots e_{i_1-1} (e_{i_1} e_{i_1+1} \dots e_{i_1+n_1})^j e_{i_1+n_1+1} \dots e_{i_2-1} (e_{i_2} e_{i_2+1} \dots e_{i_2+n_2})^j e_{i_2+n_2} \dots \rangle$$



**Fig. 2.** Subpath construction.

is a valid path. We will show that large additional stack height implies the existence of a pumpable pair of paths. To prove the results we need the notion of *local minimum* of paths.

*Local minimum of a path and non-decreasing paths.* Let  $\pi = \langle c_1, c_2, \dots \rangle$  be a path. A configuration  $c_i = (\alpha_i, q_i)$  is a *local minimum* (aka “stair position” in the literature) if for every  $j \geq i$  we have  $\alpha_i \sqsubseteq \alpha_j$  (i.e., the stack string  $\alpha_i$  is a prefix string of  $\alpha_j$ ), and we say that  $\pi$  is a *non-decreasing path* if  $c_1$  is a local minimum. One basic fact about local minima of a path is as follows: Every infinite path has infinitely many local minima. We discuss the proof of the basic fact and some properties of local minima. Consider a path  $\pi = \langle c_1, c_2, \dots \rangle$ . If there is a finite integer  $j$  such that from some point on (say after the  $i$ -th index) the stack height is always at least  $j$ , and the stack height is  $j$  infinitely often, then every configuration after the  $i$ -th index with stack height  $j$  is a local minimum (and there are infinitely many of them). Otherwise, for every integer  $j$ , there exists an index  $i$ , such that for every index after  $i$  the stack height exceeds  $j$ , and then for every  $j$ , the last configuration with stack height  $j$  is a local minimum and we have infinitely many local minima. This shows the basic fact about infinitely many local minima of a path. We now discuss a property of consecutive local minima in a path. If we consider a path and the sequence of local minima, and let  $c_i$  and  $c_j$  be two consecutive local minima. Then either  $c_i$  and  $c_j$  have the same stack height, or else  $c_j$  is obtained from  $c_i$  with one push operation. In the following lemma we establish that if the additional stack height of a path exceeds  $(|Q| \cdot |\Gamma|)^2$ , then there is a pumpable pair of paths. Also note that if the additional stack height of a path is at least  $d$ , then it means that there are at least  $d + 1$  configurations in the path.

**Lemma 1** *Let  $\pi$  be a finite path such that  $\text{ASH}(\pi) = d \geq (|Q| \cdot |\Gamma|)^2$ . Then  $\pi$  has a pumpable pair of paths.*

*Proof.* We first select a subpath of  $\pi$ , denoted by  $\pi^*$ , such that  $\pi^* = \langle c_1^*, \dots, c_p^*, \dots, c_n^* \rangle$  and the following conditions hold: (i)  $c_1^*$  is a local minimum in  $\pi^*$ , (ii)  $|\alpha_1^*| = |\alpha_n^*|$ , and (iii)  $|\alpha_p^*| = |\alpha_1^*| + d$ . The subpath is selected as follows: consider a configuration  $c_p^*$  in  $\pi$  where the stack height is maximal, and  $c_1^*$  is the closest configuration before  $c_p^*$  where the stack height is exactly  $d$  less than the stack height of  $c_p^*$ , and similarly  $c_n^*$  is the closest configuration after  $c_p^*$  where the stack height is exactly  $d$  less than that of  $c_p^*$  (see Figure 2). Clearly all the three conditions are satisfied. Let  $c_j'$  (resp.  $c_j''$ ) be the closest configuration before (resp. after)  $c_p^*$  such that the stack height of  $c_j'$  (resp.  $c_j''$ ) is  $|\alpha_1^*| + j$ , for  $j \geq 0$ . Since  $d \geq (|Q| \cdot |\Gamma|)^2$  it follows from the pigeonhole principle that there exist  $j_1, j_2$  such that  $j_1 < j_2$ , and the states and the top stack symbol of  $c_{j_1}'$ , and  $c_{j_2}'$  are identical, and the states and the top stack symbol of  $c_{j_1}''$  and  $c_{j_2}''$  are identical. It is straightforward to verify that the sequence  $p_1$  of edges between  $c_{j_1}'$  and  $c_{j_2}'$  along with the sequence  $p_2$  of edges between  $c_{j_2}''$  and  $c_{j_1}''$  form a pumpable pair, i.e.,  $(p_1, p_2)$  is a pumpable pair for  $\pi$ .  $\square$

In the following lemma we establish the connection of additional stack height and the existence of a pumpable pair of paths with positive weights.

**Lemma 2** *Let  $c_1$  and  $c_2$  be two configurations. If there exists  $n \in \mathbb{Z}$  such that the minimal additional stack height (denoted by  $d$ ) of the paths from  $c_1$  to  $c_2$  with weight at least  $n$  is at least  $(|Q| \cdot |\Gamma|)^2$ , then there exists a path from  $c_1$  to  $c_2$  with additional stack height  $d$  that contains a pumpable pair  $(p_1, p_2)$  with  $w(p_1) + w(p_2) > 0$ .*

*Proof.* Let  $\pi$  be one of the shortest paths (in terms of length) from  $c_1$  to  $c_2$  with weight at least  $n$  and additional stack height  $d$ . By Lemma 1, the path  $\pi$  has a pumpable pair  $(p_1, p_2)$  of paths. Assume

towards a contradiction that the weight of the pair is not positive (i.e., consider that  $w(p_1) + w(p_2) \leq 0$ ). Then, we can remove the pair and obtain a path  $\pi' = \pi_{(p_1, p_2)}^0$  from  $c_1$  to  $c_2$  with  $w(\pi') \geq w(\pi)$ . The path  $\pi'$  is shorter in length than  $\pi$ , since either  $p_1$  or  $p_2$  is not an empty path. Moreover, the additional stack height of  $\pi'$  is at most  $d$ . If  $\text{ASH}(\pi') = d$ , then this yields a contradiction to the assumption that the length of  $\pi$  is minimal. Otherwise, if  $\text{ASH}(\pi') < d$ , we have a contradiction to the minimality of  $d$ .  $\square$

*Ignoring finite plays.* For technical convenience, we will only consider infinite plays, and consider that finite plays do not satisfy the mean-payoff objective. Thus if there are no transitions from a state, then we consider it as a losing sink state (a state with a self-loop with negative weight).

## 2.1 Objectives $\text{LimInfAvg} > 0$ and $\text{LimSupAvg} > 0$

In this section we consider limit-average (or mean-payoff) objectives with strict inequality. We show that WPSs with such objectives can be solved in polynomial time. A crucial concept in the proof is the notion of good cycles, and we define them below.

**Good cycle.** A finite path  $\pi = \langle c_1, \dots, c_n \rangle$  is a *good cycle* if the following conditions hold:

1.  $w(\pi) > 0$  (the weight of the path is positive); and
2.  $\pi$  is a non-decreasing path; and
3. let  $c_1 = (\alpha_1, q_1)$  and  $c_n = (\alpha_n, q_n)$ , then  $q_1 = q_n$  and  $\text{Top}(\alpha_1) = \text{Top}(\alpha_n)$ .

We first prove two lemmas and the intuitive descriptions of them are as follows: In the first lemma (Lemma 3) we show that for every WPS, for every natural number  $d$ , there exists a natural number  $n$  such that if there is a path with weight at least  $n$  and additional stack height at most  $d$ , then there is a good cycle in the WPS. The second lemma (Lemma 4) is similar to the first lemma, and shows that if the additional stack height of the path is large, then it is possible to construct paths with arbitrarily large weights. Using the above two lemmas we then show that if the weight of a finite path is sufficiently large, then either a good cycle exists or paths with arbitrarily large weights can be constructed (Lemma 5). Finally we prove the key lemma (Lemma 6) that establishes the equivalence of the existence of a path satisfying mean-payoff objectives with strict inequality and the existence of a good cycle.

*Restrictions to reachable configurations.* In the sequel of this whole section we will only consider reachable configurations and reachable paths, and not explicitly mention the reachability property. For good cycles, we often mention the reachable property explicitly.

**Lemma 3** *Let  $\mathcal{A}$  be a WPS. For every  $d \in \mathbb{N}$  there exists  $n_{\mathcal{A}, d} \in \mathbb{N}$  such that the following assertion holds: If there exists a non-decreasing path  $\pi = \langle c_1, \dots, c_r \rangle$  such that (i)  $w(\pi) \geq n_{\mathcal{A}, d}$  and (ii)  $\text{ASH}(\pi) \leq d$ ; then  $\mathcal{A}$  has a reachable good cycle.*

*Proof.* Let us define  $n_{\mathcal{A}, d} = W \cdot (|Q| \cdot |\Gamma|^{d+|Q| \cdot |\Gamma|} + 1)$ . We prove the result by induction over  $\text{SH}(c_r) - \text{SH}(c_1)$ . Note that since  $\pi$  is a non-decreasing path, we have  $\text{SH}(c_r) - \text{SH}(c_1) \geq 0$ .

*Base case.* In the base case we prove the result for  $\text{SH}(c_r) - \text{SH}(c_1) \leq |Q| \cdot |\Gamma|$ . Let  $G_d$  be a graph that contains all the configurations that occur in one of the non-decreasing paths from  $c_1$  to  $c_r$ , for which  $c_1$  is a local minimum and that has additional stack height at most  $d$ . The set of edges of  $G_d$  (and their weights) is induced by the set of transitions in  $\mathcal{A}$ . Note that  $\text{ASH}(\pi) \leq d$  and  $\text{SH}(c_r) - \text{SH}(c_1) \leq |Q| \cdot |\Gamma|$  implies that  $G_d$  contains only configurations with stack height between  $\text{SH}(c_1)$  and  $\text{SH}(c_1) + d + |Q| \cdot |\Gamma|$ . Hence the graph  $G_d$  is a finite graph with at most  $|Q| \cdot |\Gamma|^{d+|Q| \cdot |\Gamma|}$  states, and the maximal absolute weight is at most  $W$  (the maximal absolute weight of  $\mathcal{A}$ ). A reachable positive cycle in  $G_d$  implies the existence of a reachable good cycle in  $\mathcal{A}$ , and if no positive cycle is reachable, then the weight of each path is bounded by  $(|G_d| + 1) \cdot W$ . Thus with  $n_{\mathcal{A}, d} = W \cdot (|Q| \cdot |\Gamma|^{d+|Q| \cdot |\Gamma|} + 1) \geq (|G_d| + 1) \cdot W$  we obtain the desired result.

*Inductive case.* We now prove the result for  $\text{SH}(c_r) - \text{SH}(c_1) > |Q| \cdot |\Gamma|$ . Since  $\text{SH}(c_r) - \text{SH}(c_1) > |Q| \cdot |\Gamma|$ , then  $\pi$  has at least  $|Q| \cdot |\Gamma| + 1$  local minima with different stack heights. Hence, by the pigeonhole principle, there must be two configurations in  $\pi$ , namely  $c_i$  and  $c_j$  (for  $1 \leq i < j \leq r$ ), such that  $c_i$  and  $c_j$  are local minima with different stack heights and  $\text{Top}(c_i) = \text{Top}(c_j)$ . We denote by  $\pi_1$  the sequence of transitions that is induced by  $\pi$  from  $c_1$  to  $c_i$ , by  $\pi_2$  the sequence of transitions from  $c_i$

to  $c_j$ , and by  $\pi_3$  the sequence of transitions from  $c_j$  to  $c_r$ . We note that by definition  $\pi = \pi_1\pi_2\pi_3$ . Moreover, since  $c_i$  and  $c_j$  are local minima, the path  $\pi_1\pi_3$  is a valid path that begins in configuration  $c_1$  and ends in some configuration  $c_\ell$  such that  $\text{SH}(c_\ell) - \text{SH}(c_1) < \text{SH}(c_r) - \text{SH}(c_1)$ . Hence, by the induction hypothesis, if  $w(\pi_1\pi_3) \geq n_{\mathcal{A},d}$ , then  $\mathcal{A}$  has a good cycle. Otherwise, if  $w(\pi_1\pi_3) < n_{\mathcal{A},d}$  and  $w(\pi) \geq n_{\mathcal{A},d}$ , then it must be the case that  $w(\pi_2) > 0$ . Thus,  $\mathcal{A}$  has a good cycle, namely, the path  $\pi_2$ . The desired result follows.  $\square$

**Lemma 4** *Let  $\mathcal{A}$  be a WPS. Let  $n \in \mathbb{Z}$  and let  $\pi = \langle c_1, \dots, c_r \rangle$  be a non-decreasing path with weight at least  $n$ , with minimal additional stack height among all paths from  $c_1$  to  $c_r$  with weight at least  $n$ . If  $\text{ASH}(\pi) \geq (|Q| \cdot |\Gamma|)^2$ , then for every  $m \in \mathbb{N}$  there exists a non-decreasing path  $\pi_m$  from  $c_1$  to  $c_r$  with  $w(\pi_m) \geq m$ .*

*Proof.* By Lemma 2 there exists a path  $\bar{\pi}$  from  $c_1$  to  $c_r$  that has a pumpable pair  $(p_1, p_2)$  such that  $w(p_1) + w(p_2) > 0$ . Hence for every  $i \in \mathbb{N}$  we get that  $w(\bar{\pi}_{(p_1, p_2)}^{i+1}) > w(\bar{\pi}_{(p_1, p_2)}^i)$  (i.e., the weight after pumping  $i+1$  times the pair of paths exceeds the weight of pumping  $i$  times). Hence for  $i = m - w(\bar{\pi})$  we get that  $w(\bar{\pi}_{(p_1, p_2)}^i) \geq m$ . The desired result follows.  $\square$

**Lemma 5** *Let  $\mathcal{A}$  be a WPS. There exists  $n_{\mathcal{A}} \in \mathbb{N}$  such that if there exists a non-decreasing path  $\pi$  from configuration  $c_1$  to configuration  $c_r$  and  $w(\pi) \geq n_{\mathcal{A}}$ , then one of the following conditions holds:*

1. *The WPS  $\mathcal{A}$  has a reachable good cycle.*
2. *For every  $n' \in \mathbb{N}$  there exists a non-decreasing path  $\pi'$  from  $c_1$  to  $c_r$  with  $w(\pi') > n'$ .*

*Proof.* Observe that the number  $n_{\mathcal{A}}$  is of our choice and we will choose it sufficiently large for the proof. Let  $d^* = (|Q| \cdot |\Gamma|)^2$ , and our choice of  $n_{\mathcal{A}}$  is  $|Q| \cdot |\Gamma| \cdot n_{\mathcal{A},d^*}$  (where  $n_{\mathcal{A},d^*}$  is as defined in Lemma 3). Let  $\pi = \langle c_1, c_2, \dots, c_r \rangle$  be a path such that  $c_1$  is a local minimum and  $w(\pi) \geq n_{\mathcal{A}}$ . Let  $m_1, \dots, m_j$  be the local minima along the path. Note that  $m_1 = c_1$  and  $c_r = m_j$ . Also note that  $j \geq |\alpha_r| - |\alpha_1|$ . Note that if  $m_{i_1} = (\alpha_{i_1}\gamma, q)$  and  $m_{i_2} = (\alpha_{i_2}\gamma, q)$  (for some  $\gamma \in \Gamma$ ), then if a good cycle does not exist we get that the weight of the path between  $m_{i_1}$  and  $m_{i_2}$  is not positive. Hence, since  $Q$  and  $\Gamma$  are finite, either a good cycle exists (by the pigeonhole principle) or there exists  $m_i, m_{i+1}$  such that  $\alpha_{i+1} = \alpha_i\gamma$  for some  $\gamma \in \Gamma \cup \{\epsilon\}$  (where  $\epsilon$  denotes the empty string) and there exists a path from  $m_i$  to  $m_{i+1}$  such that  $m_i$  is a local minimum and the weight of the path is at least  $n_{\mathcal{A},d^*}$  (since the longest sequence of local minimum configurations that do not contain a cycle is of length at most  $|Q| \cdot |\Gamma|$ , and there is a sequence of acyclic configurations that has a weight of at least  $n_{\mathcal{A}}$ ). Let  $\pi^*$  be such a path with minimal additional stack height between  $m_i$  and  $m_{i+1}$ . We consider two cases to complete the proof.

1. If the additional stack height of  $\pi^*$  is smaller than  $d^*$ , then by Lemma 3 we have a reachable good cycle from  $m_i$  and since  $m_i$  is reachable from  $c_1$  we have reachable good cycle from  $c_1$  (condition 1 of the lemma holds).
2. If the additional stack of  $\pi^*$  is at least  $d^*$ , then by Lemma 4 for every  $n_0$  we can construct a path  $\pi_{n_0}$  between  $m_i$  and  $m_{i+1}$  with weight  $w(\pi_{n_0})$  at least  $n_0$ , and  $m_i$  is a local minimum of  $\pi_{n_0}$ . For  $n' \in \mathbb{N}$ , let  $n_0 = n' + W \cdot |\pi|$ , and let  $\pi'$  be the path constructed using the segment from  $c_1$  to  $m_i$ , then the path  $\pi_{n_0}$ , and then the segment of  $\pi$  from  $m_{i+1}$  to  $c_r$ . The configuration  $c_1$  is a local minimum of  $\pi'$  and the weight of  $\pi'$  is at least  $n_0 - W \cdot |\pi| \geq n'$ . Hence it follows that for every  $n'$  we can construct a path from  $c_1$  to  $c_r$  with  $c_1$  as a local minimum and weight at least  $n'$  (condition 2 of the lemma holds).

This completes the proof of the lemma.  $\square$

**Lemma 6** *Let  $\mathcal{A}$  be WPS. The following statements are equivalent: (i) There exists a path  $\pi_1$  with  $\text{LimSupAvg}(\pi_1) > 0$ ; (ii) there exists a path  $\pi_2$  with  $\text{LimInfAvg}(\pi_2) > 0$ ; and (iii) there exists a path  $\pi$  that contains a good cycle.*

*Proof.* The direction from right to left (i.e., (iii) $\Rightarrow$ (ii) $\Rightarrow$ (i)) is immediate. Let  $\pi = \pi_1\pi_2$  be a finite path in  $\mathcal{A}$  such that  $\pi_2$  is a good cycle. Let  $\pi_1 = c_1e_1^1e_2^1 \dots e_{n_1}^1$  and  $\pi_2 = c_2e_1^2e_2^2 \dots e_{n_2}^2$ . The infinite path  $\pi' = \pi_1c_2(e_1^2e_2^2 \dots e_{n_2}^2)^\omega$  obtained by repeating the good cycle forever is a valid path which witnesses that  $\text{LimSupAvg}(\pi') \geq \text{LimInfAvg}(\pi') > 0$ .

In order to prove the opposite direction, we consider an infinite path  $\pi$  such that  $\text{LimSupAvg}(\pi) > 0$ . Let  $q \in Q$  and  $\gamma \in \Gamma$  be such that the sequence  $m_1 = (\alpha_{i_1}, q), m_2 = (\alpha_{i_2}, q), \dots$  is an infinite sequence



of local minima of  $\pi$  and  $\text{Top}(\alpha_{i_j}) = \gamma$  (note that such state and symbol are guaranteed to exist due to the existence of infinitely many local minima and finiteness of  $Q$  and  $\Gamma$ ). If there exists  $j > 1$  such that  $w(\pi[i_1, i_j]) > 0$  then by definition  $\pi[i_1, i_j]$  is a good cycle and the result follows. Otherwise let us assume that for every  $j > 1$  we have  $w(\pi[i_1, i_j]) \leq 0$ . As  $\text{LimSupAvg}(\pi) > 0$  it follows that for every  $n^* \in \mathbb{N}$  there exists  $n \in \mathbb{N}$  with  $i_n > 1$  such that the path  $\pi[i_1, i_n]$  contains a prefix with weight at least  $n^*$  (otherwise  $\text{LimSupAvg}(\pi) \leq 0$ ). We now use Lemma 5 to complete the proof. Let  $n^* = n_{\mathcal{A}}$  (where  $n_{\mathcal{A}}$  is as used in Lemma 5). Let  $\pi' = m_1, \dots, c^*$  be the prefix of  $\pi[i_1, i_n]$  such that  $w(\pi') \geq n^*$ . If the first condition of Lemma 5 holds (i.e.,  $\mathcal{A}$  has a good cycle), then we are done with the proof. Otherwise, by condition 2 of Lemma 5 it follows that for every  $n_0 \in \mathbb{N}$  there exists a path  $\pi_{n_0}$  from  $m_1$  to  $c^*$  such that  $m_1$  is a local minimum and  $w(\pi_{n_0}) \geq n_0$ . Let us choose  $n_0 = W \cdot |\pi[i_1, i_n]| + 1$ . Then consider the path  $\bar{\pi} = \pi_{n_0} \pi[i + |\pi'|, i_n]$  that is obtained by concatenating the witness path  $\pi_{n_0}$  for  $n_0$  from  $m_1$  to  $c^*$ , and then the part of  $\pi$  from  $c^*$  to  $\pi[i_n]$ . For the path  $\bar{\pi}$  we have (i) the sum of weights is at least  $n_0 - W \cdot |\pi[i_1, i_n]| \geq 1 > 0$ ; (ii)  $\pi[i_1]$  is a local minimum; and (iii) the state and the top stack symbol of  $\pi[i_1]$  and  $\pi[i_n]$  are the same. Thus  $\bar{\pi}$  is a witness good cycle. For conclusion we get that if  $\text{LimSupAvg}(\pi) > 0$ , then there exists a good cycle, which also implies that there exists a path  $\pi'$  such that  $\text{LimInfAvg}(\pi') > 0$ . This concludes the proof of the lemma.  $\square$

In the above key lemma we have established the equivalence of the decision problems for WPSs with mean-payoff objectives with strict inequality and the problem of determining the existence of good cycles. We will now present a polynomial-time algorithm for detecting good cycles. To this end we introduce the notion of non-decreasing  $\alpha$ -paths and summary functions.

*Non-decreasing  $\alpha$ -paths.* A path from a configuration  $(\alpha\gamma, q_1)$  to a configuration  $(\alpha\gamma\alpha_2, q_2)$  is a *non-decreasing  $\alpha$ -path* if  $(\alpha\gamma, q_1)$  is a local minimum. Note that if  $\pi$  is a non-decreasing  $\alpha$ -path for some  $\alpha \in \Gamma^*$ , then the same sequence of transitions leads to a non-decreasing  $\beta$ -path for every  $\beta \in \Gamma^*$ . Hence we say that  $\pi$  is a non-decreasing path if there exists  $\alpha \in \Gamma^*$  such that  $\pi$  is a non-decreasing  $\alpha$ -path.

*Summary function.* Let  $\mathcal{A}$  be a WPS. For  $\alpha \in \Gamma^*$  we define  $s_\alpha : Q \times \Gamma \times Q \rightarrow \{-\infty\} \cup \mathbb{Z} \cup \{\omega\}$  as follows.

1.  $s_\alpha(q_1, \gamma, q_2) = \omega$  iff for every  $n \in \mathbb{N}$  there exists a non-decreasing path from  $(\alpha\gamma, q_1)$  to  $(\alpha\gamma, q_2)$  with weight at least  $n$ .
2.  $s_\alpha(q_1, \gamma, q_2) = z \in \mathbb{Z}$  iff the weight of the maximal-weight non-decreasing path from configuration  $(\alpha\gamma, q_1)$  to configuration  $(\alpha\gamma, q_2)$  is  $z$ .
3.  $s_\alpha(q_1, \gamma, q_2) = -\infty$  iff there is no non-decreasing path from  $(\alpha\gamma, q_1)$  to  $(\alpha\gamma, q_2)$ .

**Remark 1** For every  $\alpha_1, \alpha_2 \in \Gamma^*$ :  $s_{\alpha_1} \equiv s_{\alpha_2}$ .

Due to Remark 1 it is enough to consider only  $s \equiv s_\perp$ . The computation of the summary function will be achieved by considering the stack height bounded summary functions defined below.

*Stack height bounded summary function.* For every  $d \in \mathbb{N}$ , the *stack height bounded summary function*  $s_d : Q \times \Gamma \times Q \rightarrow \{-\infty\} \cup \mathbb{Z} \cup \{\omega\}$  is defined as follows: (i)  $s_d(q_1, \gamma, q_2) = \omega$  iff for every  $n \in \mathbb{N}$  there exists a non-decreasing path from  $(\perp\gamma, q_1)$  to  $(\perp\gamma, q_2)$  with weight at least  $n$  and additional stack height at most  $d$ ; (ii)  $s_d(q_1, \gamma, q_2) = z$  iff the weight of the maximal-weight non-decreasing path from  $(\perp\gamma, q_1)$  to  $(\perp\gamma, q_2)$  with additional stack height at most  $d$  is  $z$ ; and (iii)  $s_d(q_1, \gamma, q_2) = -\infty$  iff there is no non-decreasing path with additional stack height at most  $d$  from  $(\perp\gamma, q_1)$  to  $(\perp\gamma, q_2)$ .

*Basic facts of summary functions.* We have the following basic facts: (i) for every  $d \in \mathbb{N}$ , we have  $s_{d+1} \geq s_d$  (monotonicity); and (ii)  $s_{d+1}$  is computable in polynomial time from  $s_d$  and  $\mathcal{A}$  (we will show this fact in Lemma 9). We first present a lemma that shows that from  $s_d$ , with  $d = (|Q| \cdot |\Gamma|)^2$ , we obtain the values of function  $s$  for all values in  $\mathbb{Z} \cup \{-\infty\}$ .

**Lemma 7** Let  $d = (|Q| \cdot |\Gamma|)^2$ . For all  $q_1, q_2 \in Q$  and  $\gamma \in \Gamma$ , if  $s(q_1, \gamma, q_2) \in \mathbb{Z} \cup \{-\infty\}$ , then  $s(q_1, \gamma, q_2) = s_d(q_1, \gamma, q_2)$ .

*Proof.* By definition we have  $s(q_1, \gamma, q_2) \geq s_d(q_1, \gamma, q_2)$ . Towards a contradiction, we assume that  $s(q_1, \gamma, q_2) > s_d(q_1, \gamma, q_2)$ . By the assumption there exists a non-decreasing path  $\pi$  with minimal additional stack height from  $(\perp\gamma, q_1)$  to  $(\perp\gamma, q_2)$  with weight  $n > s_d(q_1, \gamma, q_2)$  and additional stack height  $d' > (|Q| \cdot |\Gamma|)^2$ . Hence by Lemma 4 for every  $m \in \mathbb{N}$  there exists a non-decreasing path from  $(\perp\gamma, q_1)$  to  $(\perp\gamma, q_2)$  with weight at least  $m$  (note that in Lemma 4 the witness path constructed by pumping the positive pumpable pair yields a non-decreasing path). Hence  $s(q_1, \gamma, q_2) = \omega$  in contradiction to the assumption that  $s(q_1, \gamma, q_2) \in \mathbb{Z} \cup \{-\infty\}$ . The desired result follows.  $\square$

Our goal now is the computation of the  $\omega$  values of the summary function. To achieve the computation of  $\omega$  values we will define another summary function  $s^*$  and a new WPS  $\mathcal{A}^*$  such that certain cycles in  $\mathcal{A}^*$  will characterize the  $\omega$  values of the summary function. We now define the summary function  $s^*$  and the pushdown system  $\mathcal{A}^*$ . Let  $d = (|Q| \cdot |\Gamma|)^2$ . The new summary function  $s^*$  is defined as follows: if the values of  $s_d$  and  $s_{d+1}$  are the same then it is assigned the value of  $s_d$ , and otherwise the value  $\omega$ . Formally, for all states  $q_1, q_2 \in \mathcal{A}$  and a stack symbol  $\gamma$ ,

$$s^*(q_1, \gamma, q_2) = \begin{cases} s_d(q_1, \gamma, q_2) & \text{if } s_d(q_1, \gamma, q_2) = s_{d+1}(q_1, \gamma, q_2) \\ \omega & \text{if } s_d(q_1, \gamma, q_2) < s_{d+1}(q_1, \gamma, q_2). \end{cases}$$

The new WPS  $\mathcal{A}^*$  is constructed from  $\mathcal{A}$  by adding the following set of  $\omega$ -edges:  $\{(q_1, \gamma, q_2, \text{skip}) \mid s^*(q_1, \gamma, q_2) = \omega\}$ . Note that  $s^*$  is a summary function for  $\mathcal{A}$ , but not necessarily for  $\mathcal{A}^*$ .

**Lemma 8** *For all  $q_1, q_2 \in Q$  and  $\gamma \in \Gamma$ , the following assertion holds: the original summary function satisfies  $s(q_1, \gamma, q_2) = \omega$  iff there exists a non-decreasing path in  $\mathcal{A}^*$  from  $(\perp\gamma, q_1)$  to  $(\perp\gamma, q_2)$  that goes through an  $\omega$ -edge.*

*Proof.* The direction from right to left is easy: if there is a non-decreasing path in  $\mathcal{A}^*$  that goes through an  $\omega$ -edge, it means that there exists  $(q'_1, \gamma', q'_2)$  with either  $s_d(q'_1, \gamma, q'_2) = \omega$  or  $s_d(q'_1, \gamma', q'_2) < s_{d+1}(q'_1, \gamma', q'_2)$ . If  $s_d(q'_1, \gamma, q'_2) = \omega$ , then clearly  $s(q'_1, \gamma, q'_2) = \omega$ . Otherwise we have  $s_d(q'_1, \gamma', q'_2) < s_{d+1}(q'_1, \gamma', q'_2)$ , and then by Lemma 7 we get that  $s(q'_1, \gamma', q'_2) = \omega$ . Since there exists a finite path from  $(\perp\gamma, q_1)$  to  $(\perp\gamma, q_2)$  with an  $\omega$ -edge it follows that  $s(q_1, \gamma, q_2) = \omega$ .

For the converse direction, we consider the case that  $s(q_1, \gamma, q_2) = \omega$ . If  $s^*(q_1, \gamma, q_2) = \omega$ , then the proof follows immediately. Otherwise it follows that  $s_d(q_1, \gamma, q_2) \in \mathbb{Z}$ . Hence there exists a weight  $n \in \mathbb{Z}$  such that a non-decreasing path with minimal additional stack height with weight  $n$  has additional stack height  $d' \geq d + 1$ . Let  $\pi$  be such a path. Then there exists a non-decreasing subpath that starts at  $(\alpha\gamma', q'_1)$  and ends at  $(\alpha\gamma', q'_2)$  with additional stack height exactly  $d + 1$  (for some states  $q'_1, q'_2$  and stack symbol  $\gamma'$ ). If  $s_{d+1}(q'_1, \gamma', q'_2) = s_d(q'_1, \gamma', q'_2)$ , then  $\pi$  is not a path with the minimal additional stack height. Hence, as  $s_{d+1}(q'_1, \gamma', q'_2) > s_d(q'_1, \gamma', q'_2)$ , by definition  $s^*(q'_1, \gamma', q'_2) = \omega$  and the proof follows.  $\square$

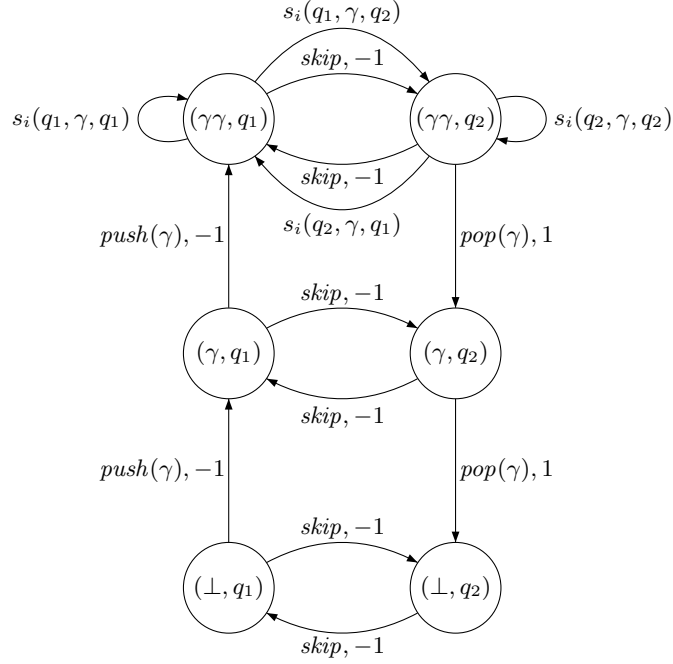
We are now ready to show that the summary function  $s$  can be computed polynomial time.

*Remark 1.* We show that the number of arithmetic operations required is polynomial in the size of the WPS, and hence the polynomial time bound follows. In the sequel, instead of polynomial number of operations in the size of the WPS we simply write polynomial time.

**Lemma 9** *For a WPS  $\mathcal{A}$ , the summary function  $s$  is computable in polynomial time.*

*Proof.* There are two key steps of the proof: (i) computation of  $s_d$ , for  $d = (|Q| \cdot |\Gamma|)^2$ , and we will argue how to compute  $s_{i+1}$  from  $s_i$  in polynomial time; and (ii) computation of a non-decreasing path in  $\mathcal{A}^*$  that goes through an  $\omega$ -edge. We first argue how the key steps give us the desired result and then present the details of the key steps. Given the computation of (i), we construct  $s_d, s_{d+1}$  in polynomial time, and hence also  $s^*$ . Given  $s^*$  we construct  $\mathcal{A}^*$  in polynomial time. By computation (ii) we can assign the  $\omega$  values for the summary function, and all other have values as defined by  $s_d$ . Thus with the computation of key steps (i) and (ii) in polynomial time, we can compute the summary function  $s$  in polynomial time. We now describe the key steps:

1. *Computation of  $s_{i+1}$  from  $s_i$  and  $\mathcal{A}$ .* Let  $G_{\mathcal{A}}$  be the finite weighted graph that is formed by all the configurations of  $\mathcal{A}$  with stack height either zero, one or two, that is, the vertices are of the form  $(\alpha, q)$  where  $q \in Q$  and  $\alpha \in \{\perp, \perp\gamma, \perp\gamma_1\gamma_2 \mid \gamma, \gamma_1, \gamma_2 \in \Gamma\}$ . The edges (and their weights) are according to the transitions of  $\mathcal{A}$ : formally, (i) (Skip edges): for vertices  $(\perp\alpha, q)$  we have an edge to  $(\perp\alpha, q')$  iff  $e = (q, \text{Top}(\alpha), \text{skip}, q')$  is an edge in  $\mathcal{A}$  (and the weight of the edge in  $G_{\mathcal{A}}$  is  $w(e)$ ) where  $\alpha = \gamma$  or  $\alpha = \gamma_1\gamma_2$  for  $\gamma, \gamma_1, \gamma_2 \in \Gamma$ ; (ii) (Push edges): for vertices  $(\perp\gamma, q)$  we have an edge to  $(\perp\gamma\gamma', q')$  iff  $e = (q, \gamma, \text{push}(\gamma'), q')$  is an edge in  $\mathcal{A}$  (and the weight of the edge in  $G_{\mathcal{A}}$  is  $w(e)$ ) for  $\gamma, \gamma' \in \Gamma$ ; and (iii) (Pop edges): for vertices  $(\perp\gamma\gamma', q)$  we have an edge to  $(\perp\gamma, q')$  iff  $e = (q, \gamma', \text{pop}, q')$  is an edge in  $\mathcal{A}$  (and the weight of the edge in  $G_{\mathcal{A}}$  is  $w(e)$ ) for  $\gamma, \gamma' \in \Gamma$ . Intuitively,  $G_{\mathcal{A}}$  allows skips, push pop pairs, and only one additional push. Note that  $G_{\mathcal{A}}$  has at most  $3 \cdot |Q| \cdot |\Gamma|^2$  vertices, and can be constructed in polynomial time.



**Fig. 3.**  $G_{\mathcal{A}}^i$  that corresponds to the WPS  $\mathcal{A}$  from Figure 1. The reader should note that this is a finite graph. We explicitly label some of the transitions by *pop*, *push* and *skip* only to simplify the illustration.

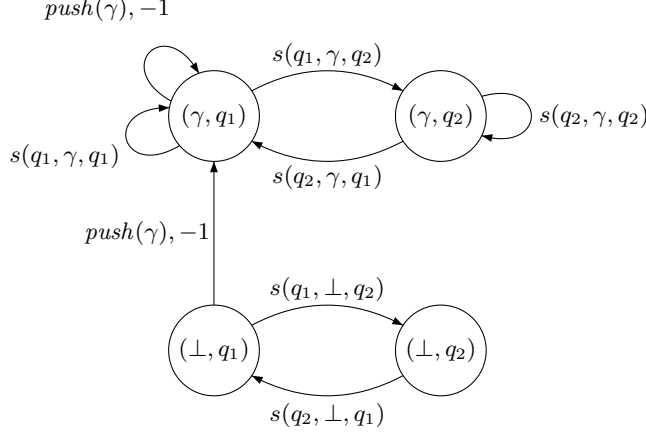
For every  $i \geq 1$ , given the function  $s_i$ , the graph  $G_{\mathcal{A}}^i$  is constructed from  $G_{\mathcal{A}}$  as follows (e.g., see Figure 3): adding edges  $((\perp\gamma_1\gamma_2, q_1), (\perp\gamma_1\gamma_2, q_2))$  (if the edge does not exist already) and changing its weight to  $s_i(q_1, \gamma_2, q_2)$  for every  $\gamma_1, \gamma_2 \in \Gamma$  and  $q_1, q_2 \in Q$ . The value of  $s_{i+1}(q_1, \gamma, q_2)$  is exactly the weight of a maximal-weight path between  $(\perp\gamma, q_1)$  and  $(\perp\gamma, q_2)$  in  $G_{\mathcal{A}}^i$  (with the following convention:  $-\infty < z < \omega$ ,  $z + \omega = \omega$  and  $z + -\infty = \omega + -\infty = -\infty$  for every  $z \in \mathbb{Z}$ ). If in  $G_{\mathcal{A}}^i$  there is a path from  $(\perp\gamma, q_1)$  to  $(\perp\gamma, q_2)$  that contains a cycle with positive weight, then we set  $s_{i+1}(q_1, \gamma, q_2) = \omega$ . Hence, given  $s_i$  and  $\mathcal{A}$ , the construction of  $G_{\mathcal{A}}^i$  is achieved in polynomial time, and the computation of  $s_{i+1}$  is achieved using the Bellman-Ford algorithm [19] in polynomial time (a maximal-weight path is a shortest-weight path if we define the edge length as the negative of the edge weight). Also note that the Bellman-Ford algorithm reports cycles with positive weight (that is, negative length) which is required to set  $\omega$  values of  $s_{i+1}$ . It follows that we can compute  $s_{i+1}$  given  $s_i$  and  $\mathcal{A}$  in polynomial time. In order to compute  $s_0$  we run the Bellman-Ford algorithm over the graph  $G_{\mathcal{A}}^0$  in which all the push and pop transitions are disabled. We note that the number of vertices in  $G_{\mathcal{A}}^0$  is at most  $|\mathcal{A}|$ . Hence, the computation is polynomial.

2. *Non-decreasing  $\omega$ -edge path in  $\mathcal{A}^*$ .* We reduce the problem of checking if there exists a non-decreasing path from  $(\perp\gamma, q_1)$  to  $(\perp\gamma, q_2)$  in  $\mathcal{A}^*$  that goes through an  $\omega$ -edge to the problem of pushdown reachability in pushdown systems (or pushdown graphs), which is known to be in PTIME [43, 3]. The reduction is as follows: for every state  $q \in Q$  we add a fresh (new) state  $q^\omega$ , add a transition (or edge)  $(q_1^\omega, \gamma, q_2^\omega, com)$  for every  $(q_1, \gamma, q_2, com) \in \Delta$  (i.e., the freshly added states follow the transition in the fresh copy as in the original WPS), and a transition  $(q_1, \gamma, q_2^\omega, com)$  for every transition  $(q_1, \gamma, q_2, com)$  that has an  $\omega$  weight (i.e., there is a transition to the fresh copy only for an  $\omega$ -edge). It follows that there exists an  $\omega$ -edge non-decreasing path in  $\mathcal{A}^*$  from  $(\perp\gamma, q_1)$  to  $(\perp\gamma, q_2)$  iff the configuration  $(\perp\gamma, q_2^\omega)$  is pushdown reachable from the configuration  $(\perp\gamma, q_1)$ . Hence it follows that the existence of a non-decreasing  $\omega$ -edge path in  $\mathcal{A}^*$  can be determined in polynomial time.

The desired result follows. □

Given the computation of the summary function, we will construct a summary graph, and show the equivalence of the existence of good cycles in a WPS with the existence of positive cycles in the summary graph.

*Summary graph and positive simple cycles.* Given a WPS  $\mathcal{A} = \langle Q, \Gamma, q_0 \in Q, E \subseteq (Q \times \Gamma) \times (Q \times \text{Com}(\Gamma)), w : E \rightarrow \mathbb{Z} \rangle$  and the summary function  $s$ , we construct the *summary graph*  $\text{Gr}(\mathcal{A}) = (\overline{V}, \overline{E})$



**Fig. 4.**  $\text{Gr}(\mathcal{A})$  that corresponds to the WPS  $\mathcal{A}$  from Figure 1. The reader should note that this is a finite graph. We explicitly label some of the transitions by *pop*, *push* and *skip* only to simplify the illustration.

of  $\mathcal{A}$  with a weight function  $\bar{w} : \bar{E} \rightarrow \mathbb{Z} \cup \{\omega\}$  as follows (e.g., see Figure 4): (i)  $\bar{V} = Q \times \Gamma$ ; and (ii)  $\bar{E} = E_{\text{skip}} \cup E_{\text{push}}$  where  $E_{\text{skip}} = \{((q_1, \gamma), (q_2, \gamma)) \mid s(q_1, \gamma, q_2) > -\infty\}$ , and  $E_{\text{push}} = \{((q_1, \gamma_1), (q_2, \gamma_2)) \mid (q_1, \gamma_1, q_2, \text{push}(\gamma_2)) \in E\}$ ; and (iii) for all  $e = ((q_1, \gamma), (q_2, \gamma)) \in E_{\text{skip}}$  we have  $\bar{w}(e) = s(q_1, \gamma, q_2)$ , and for all  $e \in E_{\text{push}}$  we have  $\bar{w}(e) = w(e)$  (i.e., according to the weight function of  $\mathcal{A}$ ). A simple cycle  $C$  in  $\text{Gr}(\mathcal{A})$  is a *positive simple cycle* iff one of the following conditions holds: (i) either  $C$  contains an  $\omega$ -edge (i.e., edge labeled  $\omega$  by  $\bar{w}$ ); or (ii) the sum of the weights of the edges of the cycle  $C$  according to  $\bar{w}$  is positive.

**Lemma 10** *A WPS  $\mathcal{A}$  has a good cycle iff the summary graph  $\text{Gr}(\mathcal{A})$  has a positive simple cycle.*

*Proof.* If  $\mathcal{A}$  has a good cycle, then let  $\pi$  be a good cycle. The good cycle  $\pi$  is a non-decreasing path  $\langle c_1, \dots, c_n \rangle$  such that  $c_1 = (\alpha_1 \gamma, q)$  and either  $c_n = (\alpha_1 \gamma \alpha_2 \gamma, q)$  or  $c_n = (\alpha_1 \gamma, q)$  and  $w(\pi) > 0$ . Let  $m_1, \dots, m_r$  be the local minima along the path. Note that for every  $i < r$ , either  $m_i$  and  $m_{i+1}$  have the same stack height or  $m_{i+1}$  is reachable from  $m_i$  via one push transition. For configuration  $c = (\alpha \gamma, q)$ , let us denote  $\text{Top}(c) = (\gamma, q)$ . Hence the path  $\text{Top}(m_1), \dots, \text{Top}(m_r)$  is a cycle in  $\text{Gr}(\mathcal{A})$ . If the cycle contains an  $\omega$ -edge, then it is a positive cycle (by the definition of positive cycles in  $\text{Gr}(\mathcal{A})$ ). Otherwise, the weight of the cycle in  $\text{Gr}(\mathcal{A})$  is at least  $w(\pi)$ , and therefore  $\text{Gr}(\mathcal{A})$  has a positive cycle (and therefore a positive simple cycle).

The other direction is as follows. Consider a positive cycle in  $\text{Gr}(\mathcal{A})$ . If the cycle does not contain an  $\omega$ -edge, then there exists a non-decreasing path in  $\mathcal{A}$  with the same weight that forms a good cycle. Otherwise, let  $(\gamma, q)$  be a vertex in the cycle, and  $((\gamma_1, q_1), (\gamma_1, q_2))$  be an  $\omega$ -edge in the cycle of  $\text{Gr}(\mathcal{A})$ . From the construction of  $\text{Gr}(\mathcal{A})$ , it follows that there exist  $\alpha_1, \alpha_2, \alpha_3$  in  $\mathcal{A}$  such that the following non-decreasing paths exist:

- A non-decreasing path  $\pi_1$  from  $(\alpha_1 \gamma, q)$  to  $(\alpha_1 \gamma \alpha_2 \gamma_1, q_1)$  (due to the path of the cycle).
- For every  $m \in \mathbb{N}$ : a non-decreasing path  $\pi^m$  from  $(\alpha_1 \gamma \alpha_2 \gamma_1, q_1)$  to  $(\alpha_1 \gamma \alpha_2 \gamma_1, q_2)$  with weight at least  $m$  (due to the  $\omega$ -edge).
- A non-decreasing path  $\pi_2$  from  $(\alpha_1 \gamma \alpha_2 \gamma_1, q_2)$  to  $(\alpha_1 \gamma \alpha_2 \gamma_1 \alpha_3 \gamma, q)$  (due to the path of the cycle).

Hence, for  $m = W \cdot (|\pi_1| + |\pi_2|) + 1$ , we get that the path  $\pi_1 \pi^m \pi_2$  is a good cycle. This completes both directions of the proof and gives us the result.  $\square$

Since the summary function and the summary graph can be constructed in polynomial time, and the existence of a positive cycle in a graph can be checked in polynomial time (for example, first checking the existence of a cycle with an  $\omega$ -edge, and then applying Karp's mean-cycle algorithm [33] after removing all  $\omega$  edges), we have the following lemma.

**Lemma 11** *Given a WPS  $\mathcal{A}$ , whether  $\mathcal{A}$  has a good cycle can be decided in polynomial time.*

Lemma 6 and Lemma 11 give us the following theorem.

**Theorem 1** *Given a WPS  $\mathcal{A}$ , whether there exists an infinite path  $\pi$  such that  $\text{LimInfAvg}(\pi) > 0$  (or  $\text{LimSupAvg}(\pi) > 0$ ) can be decided in polynomial time. If there exists an infinite path  $\pi$  such that  $\text{LimSupAvg}(\pi) > 0$ , then there exists an ultimately periodic infinite path  $\pi'$  such that both  $\text{LimSupAvg}(\pi') > 0$  and  $\text{LimInfAvg}(\pi') > 0$ .*

## 2.2 Objectives $\text{LimInfAvg} \geq 0$ and $\text{LimSupAvg} \geq 0$

In this section we consider mean-payoff objectives with non-strict inequality. Since in this section we will also consider rational weights due to certain transformation, we first discuss the issue of integer versus rational weights.

*Integer versus rational weights.* We will assume that the input WPS  $\mathcal{A}$  has integer weights, but we will consider certain transformations that produce rational weight functions. We note that we can easily transform rational weights back to integer weights by multiplying all the weights by the least common multiple (LCM) of all the denominators of the weights. As a result the mean-payoff value of every path is multiplied by the least common multiple, but since we only ask if the mean-payoff value is positive (or non-negative), the result does not change. We also note that the least common multiple is bounded by  $D^{|E|}$ , where  $D$  is the greatest denominator that occur in the weight function (in absolute value) and  $|E|$  is the number of transitions. Hence, the least common multiple requires only  $|E| \cdot \log(D)$  bits to encode and the blowup is polynomial.

*Transformed weight functions and weighted graphs.* Let  $w : E \rightarrow \mathbb{Q}$  be a weight function, and  $r \in \mathbb{Q}$  be a rational value, then the weight function  $w + r : E \rightarrow \mathbb{Q}$  is defined as follows: for all  $e \in E$  we have  $(w + r)(e) = w(e) + r$ . Let  $G = (V, E)$  be a (possibly infinite)<sup>3</sup> graph with a weight function  $w : E \rightarrow \mathbb{Q}$ . In order to emphasize that  $w$  is the weight function for  $G$ , we use  $w_G$ . We denote by  $G^r$  the same infinite graph with weight function  $w_G + r$ . We first show that if the lim-inf-average objective can be satisfied for all  $\epsilon > 0$ , then the non-strict lim-inf-average objective can also be satisfied.

*Solution overview.* We prove that there is a computable  $\epsilon > 0$  with polynomial number of bits such that there is a witness path  $\pi$  with  $\text{LimInfAvg}(\pi) \geq 0$  iff there is a witness path  $\pi$  with  $\text{LimInfAvg}(\pi) > -\epsilon$ . Hence, a reduction to the strict mean-payoff problem follows. In Lemmas 12 and 13 we prove the existence of such  $\epsilon$ , and in Theorem 2 we prove the correctness of the reduction.

**Lemma 12** *Let  $\mathcal{A}$  be a WPS. There exists a path  $\pi$  with  $\text{LimInfAvg}(\pi) \geq 0$  iff for every  $\epsilon > 0$  there exists a path  $\pi_\epsilon$  with  $\text{LimInfAvg}(\pi_\epsilon) > -\epsilon$ .*

*Proof.* The direction from left to right is trivial. In order to prove the converse direction let us assume that for every  $n \in \mathbb{N}$  there exists a path  $\pi_n$  with  $\text{LimInfAvg}(\pi_n) > -\frac{1}{n}$ . Hence for every  $n \in \mathbb{N}$  there exists a path  $\pi_n^*$  which leads to a path  $C_n$  that is a good cycle with respect to the weight function  $w + \frac{1}{n}$ . Since there are infinitely many values of  $n \in \mathbb{N}$ , and since  $Q$  and  $\Gamma$  are finite, w.l.o.g all the good cycles (with respect to  $w + \frac{1}{n}$ ) start at the same top configuration  $(\gamma, q)$ . We define an infinite path  $\pi = \pi_1^* C_1^{W \cdot |C_2|} C_2^{2 \cdot W \cdot |C_3|} \dots C_i^{i \cdot W \cdot |C_{i+1}|} \dots$  such that  $|C_{i+1}| > |C_i|$  (since we can always extend the length of a cyclic path by taking several copies of it). We claim that  $\text{LimInfAvg}(\pi) \geq 0$ . To prove the claim it is enough to show that for all  $\nu > 0$  we have  $\text{LimInfAvg}(\pi) \geq -\nu$ , and for this purpose it is enough to prove that for the suffix  $\pi'$  that begins at position  $|\pi_1^*|$  we have  $\text{LimInfAvg}(\pi') \geq -\nu$ . For every  $\ell \in \mathbb{N}$  we denote by  $\pi'(\ell)$  the prefix of  $\pi'$  that ends at position  $\sum_{i=1}^{\ell} i \cdot |C_i| \cdot |C_{i+1}| \cdot W$ . Since  $C_i$  is a good cycle for  $w + \frac{1}{i}$  we get that  $w(C_i) \geq -\frac{|C_i|}{i}$ , hence the average weight of  $\pi'(\ell)$  is at least

$$\frac{\sum_{i=1}^{\ell} -\frac{i \cdot W \cdot |C_i| \cdot |C_{i+1}|}{i}}{\sum_{i=1}^{\ell} i \cdot |C_i| \cdot |C_{i+1}| \cdot W} = -\frac{\sum_{i=1}^{\ell} |C_i| \cdot |C_{i+1}|}{\sum_{i=1}^{\ell} i \cdot |C_i| \cdot |C_{i+1}|}.$$

Since  $|C_{i+1}| > |C_i|$ , we get that

$$\sum_{i=1}^{\ell} |C_i| \cdot |C_{i+1}| \leq 2 \cdot \sum_{i=\frac{\ell}{2}}^{\ell} |C_i| \cdot |C_{i+1}|; \quad \text{and} \quad \sum_{i=1}^{\ell} i \cdot |C_i| \cdot |C_{i+1}| \geq \frac{\ell}{2} \cdot \sum_{i=\frac{\ell}{2}}^{\ell} |C_i| \cdot |C_{i+1}|,$$

and thus we get that the average weight of  $\pi'(\ell)$  is at least  $-\frac{4}{\ell}$ . Since each copy of  $C_{\ell+1}$  has an average weight of at least  $-\frac{1}{1+\ell}$  it is obvious that the average value of  $\pi'(\ell)C_{\ell+1}^n$  remains at least  $-\frac{4}{\ell}$ .

<sup>3</sup> In this subsection we often look at a WPS as an infinite graph of the configurations.

Moreover, since  $|\pi'(\ell)| \geq \ell \cdot W \cdot |C_{\ell+1}|$  we get that the average value of  $\pi'(\ell)C_{\ell+1}^n D$  (where  $D$  is a prefix of the finite path  $C_{\ell+1}$ ) is at least

$$\frac{-\frac{4 \cdot \ell \cdot W \cdot |C_{\ell+1}|}{\ell} - W \cdot |D|}{\ell \cdot W \cdot |C_{\ell+1}| + |D|} \geq -\frac{5}{\ell}.$$

Hence, we get that for all  $\nu > 0$ , every prefix of  $\pi'$  that is longer than  $\lceil \frac{5}{\nu} \rceil$  has an average weight of at least  $-\nu$  and thus  $\text{LimInfAvg}(\pi) = \text{LimInfAvg}(\pi') \geq -\nu$  and the proof is completed.  $\square$

**Lemma 13** *Let  $\mathcal{A}$  be a WPS with integer weights (weight function  $w$ ). Let  $\ell = |\Gamma| \cdot |Q|$ , and fix  $\epsilon = \frac{1}{\ell(\ell+1)^2 \cdot 2 \cdot \ell}$ . Then the WPS  $\mathcal{A}^\epsilon$  (with weight function  $w + \epsilon$ ) has a good cycle iff for every  $\delta > 0$  the WPS  $\mathcal{A}^\delta$  (with weight function  $w + \delta$ ) has a good cycle. Moreover, every good cycle in  $\text{Gr}(\mathcal{A}^\epsilon)$  is a good cycle in  $\text{Gr}(\mathcal{A}^\delta)$ .*

*Proof.* The direction from right to left is trivial. For the converse direction we first prove the following lemma.

**Lemma 14** *Let  $s^\epsilon$  be the summary function for  $\mathcal{A}^\epsilon$ .*

1. *If  $s^\epsilon(q_1, \gamma, q_2) \neq \omega$ , then  $s^\epsilon(q_1, \gamma, q_2) \leq s(q_1, \gamma, q_2) + \frac{1}{2 \cdot \ell}$ .*
2. *If  $s^\epsilon(q_1, \gamma, q_2) = \omega$ , then for every  $\delta > 0$  we have  $s^\delta(q_1, \gamma, q_2) = \omega$ , where  $s^\delta$  is the summary function for  $\mathcal{A}^\delta$ .*

*Proof.* We prove both the items below.

1. If  $s^\epsilon(q_1, \gamma, q_2) \neq \omega$ , then consider a maximal-weight non-decreasing path with minimal additional stack height from  $(\perp \gamma, q_1)$  to  $(\perp \gamma, q_2)$  that has an additional stack height of at most  $(|Q| \cdot |\Gamma|)^2 = \ell^2$ . Note that this path does not contain positive cycles (since  $s^\epsilon(q_1, \gamma, q_2) \neq \omega$ ). Hence there exists a path  $\pi$  with the same weight and with stack height at most  $\ell^2$  which does not contain any cycles. Hence  $|\pi| \leq \ell^{\ell^2}$ , and therefore

$$w_{\mathcal{A}^\epsilon}(\pi) = w_{\mathcal{A}}(\pi) + \epsilon \cdot |\pi| \leq w_{\mathcal{A}}(\pi) + \epsilon \cdot \ell^{\ell^2} \leq w_{\mathcal{A}}(\pi) + \frac{1}{2 \cdot \ell}.$$

Since  $s(q_1, \gamma, q_2) \geq w_{\mathcal{A}}(\pi)$  (as  $\pi$  is a non-decreasing path we have  $s(q_1, \gamma, q_2) \geq w_{\mathcal{A}}(\pi)$ ), we obtain the result of the first item.

2. In order to prove the second item of the lemma, it is enough to prove that if an edge weight is  $\omega$  in  $(\mathcal{A}^\epsilon)^*$  (where  $(\mathcal{A}^\epsilon)^*$  is the WPS constructed with the function  $(s^\epsilon)^*$ ), then for every  $\delta > 0$  the weight of the edge is also  $\omega$  in the summary graph  $\text{Gr}(\mathcal{A}^\delta)$  of  $\mathcal{A}^\delta$ . We consider two cases to complete the proof.

- *Case 1.* If  $s_\ell^\epsilon(q_1, \gamma, q_2) = \omega$ , then the infinite graph  $\mathcal{A}^\epsilon$  has a positive cycle  $C$  with stack height at most  $\ell^2$ , and hence there exists a positive cycle  $C'$  such that  $|C'| \leq \ell^{\ell^2}$ . Towards a contradiction, let us assume that  $w_{\mathcal{A}}(C') < 0$ . As all the weights in  $\mathcal{A}$  are integers we get that  $w_{\mathcal{A}}(C') \leq -1$ . As  $w_{\mathcal{A}}(C') + \epsilon \cdot |C'| = w_{\mathcal{A}^\epsilon}(C') \geq 0$  we get that  $|C'| \geq \frac{1}{\epsilon}$  which is a contradiction. Thus  $w_{\mathcal{A}}(C') \geq 0$ , and hence for every  $\delta > 0$  we have  $w_{\mathcal{A}^\delta}(C') > 0$ . Thus  $s_\ell^\delta(q_1, \gamma, q_2) = \omega$ .
- *Case 2.* Otherwise, we have  $s_{\ell+1}^\epsilon(q_1, \gamma, q_2) > s_\ell^\epsilon(q_1, \gamma, q_2)$ . Let  $\pi$  be a path from  $(\perp \gamma, q_1)$  to  $(\perp \gamma, q_2)$  with additional stack height  $\ell + 1$  and weight  $s_{\ell+1}^\epsilon(q_1, \gamma, q_2)$ . As  $s_{\ell+1}^\epsilon(q_1, \gamma, q_2) > s_\ell^\epsilon(q_1, \gamma, q_2)$ , by Lemma 2 it follows that  $\pi$  has a pumpable pair  $(p_1, p_2)$  with  $w_{\mathcal{A}^\epsilon}(p_1) + w_{\mathcal{A}^\epsilon}(p_2) > 0$ . If  $p_1$  (resp.  $p_2$ ) contains a positive cycle, then by the same arguments presented in the proof of the first item of the lemma this cycle will be positive also in  $\mathcal{A}^\delta$ , for every  $\delta > 0$ , and hence  $s^\delta(q_1, \gamma, q_2) = \omega$ . If  $p_1$  (resp.  $p_2$ ) contains a non-negative cycle, then we can remove the cycle and still obtain a pumpable pair with sum of weights positive. Therefore w.l.o.g both  $p_1$  and  $p_2$  do not contain any cycles and thus  $|p_1|, |p_2| \leq \ell^{\ell+1}$ . Again by the same arguments presented in the proof of the first item we obtain that  $w_{\mathcal{A}}(p_1) + w_{\mathcal{A}}(p_2) \geq 0$  and hence for every  $\delta > 0$  we have  $w_{\mathcal{A}^\delta}(p_1) + w_{\mathcal{A}^\delta}(p_2) > 0$ . As  $(p_1, p_2)$  is a positive pumpable pair in  $\mathcal{A}^\delta$  it follows that  $s^\delta(q_1, \gamma, q_2) = \omega$ .

This completes the proof of the second item.

We obtain the desired result of the lemma.  $\square$

We are now ready to prove Lemma 13. Let us assume that there exists a good cycle in  $\mathcal{A}^\epsilon$ . Then by Lemma 10 there exists a positive simple cycle  $C$  in the summary graph  $\text{Gr}(\mathcal{A}^\epsilon)$ . We consider two cases:

- If  $C$  contains an  $\omega$ -edge  $e$ , then by Lemma 14 for every  $\delta > 0$  the same cycle in  $\text{Gr}(\mathcal{A}^\delta)$  will also contain an  $\omega$ -edge. Therefore  $C$  is a positive cycle also in  $\text{Gr}(\mathcal{A}^\delta)$  and hence  $\mathcal{A}^\delta$  has a good cycle.
- Otherwise  $C$  does not contain an  $\omega$ -edge. Towards a contradiction assume that the weight of  $C$  in  $\text{Gr}(\mathcal{A})$  is negative. As the weights of  $\mathcal{A}$  are integers it follows that the weight of  $C$  is at most  $-1$ . By Lemma 14, for every  $e \in C$  we have  $w_{\text{Gr}(\mathcal{A}^\epsilon)}(e) \leq w_{\text{Gr}(\mathcal{A})}(e) + \frac{1}{2\ell}$ ; and thus  $w_{\text{Gr}(\mathcal{A}^\epsilon)}(C) \leq w_{\text{Gr}(\mathcal{A})}(C) + \frac{|C|}{2\ell}$ . As  $C$  is a simple cycle (in  $\text{Gr}(\mathcal{A}^\epsilon)$ ) we get that  $|C| \leq \ell$ , and hence we have  $w_{\text{Gr}(\mathcal{A}^\epsilon)}(C) \leq w_{\text{Gr}(\mathcal{A})}(C) + \frac{1}{2} \leq -\frac{1}{2}$ , which contradicts the assumption that  $C$  is a positive cycle. Therefore we have  $w_{\text{Gr}(\mathcal{A})}(C) \geq 0$ , and therefore for every  $\delta > 0$  we get that  $w_{\text{Gr}(\mathcal{A}^\delta)}(C) > 0$  and hence  $\mathcal{A}^\delta$  has a good cycle.

The moreover part of the lemma follows from the fact that  $C$  is an arbitrary positive cycle in  $\text{Gr}(\mathcal{A}^\epsilon)$ . This completes the proof of the lemma.  $\square$

**Theorem 2** *Given a WPS  $\mathcal{A}$ , whether there exists an infinite path  $\pi$  such that  $\text{LimInfAvg}(\pi) \geq 0$  (or  $\text{LimSupAvg}(\pi) \geq 0$ ) can be decided in polynomial time. There exists a WPS  $\mathcal{A}$  such that there exists a path  $\pi$  with  $\text{LimInfAvg}(\pi) = 0$  but for every ultimately periodic path  $\pi$  we have both  $\text{LimInfAvg}(\pi) < 0$  and  $\text{LimSupAvg}(\pi) < 0$ .*

*Proof.* From Lemma 12 it follows that if there is a path  $\pi$  such that  $\text{LimInfAvg}(\pi) \geq 0$ , then for every  $\epsilon_1 > 0$  there is a path  $\pi'$  such that  $\text{LimInfAvg}(\pi') > -\epsilon_1$ . By Lemma 13 it follows that it suffices to check for  $\epsilon$  (for the  $\epsilon$  described by Lemma 13). Given a WPS  $\mathcal{A}$ , the WPS  $\mathcal{A}^\epsilon$  can be constructed in polynomial time (as  $\epsilon$  only has polynomial number of bits). Then applying the polynomial-time algorithm to find good cycles (as given in the previous subsection) we answer the decision problems in polynomial time. We observe that Lemma 12 and Lemma 13 also hold for  $\text{LimSupAvg}$  objectives, and thus the result also follows for  $\text{LimSupAvg}$  objectives.

Example 1 shows that ultimately periodic witness paths might not exist in some cases.  $\square$

We get the next corollary from Lemma 13.

**Corollary 1** *Given a WPS  $\mathcal{A}$  with integer weights, let  $\ell = |I| \cdot |Q|$ , and  $\epsilon = \frac{1}{\ell^{(\ell+1)^2} \cdot 2 \cdot \ell}$ . Then there is a path  $\pi'$  with  $\text{LimInfAvg}(\pi') > 0$  if and only there is a path  $\pi$  with  $\text{LimInfAvg}(\pi) \geq \epsilon$ .*

*Proof.* Towards a contradiction we assume that there is a path  $\pi'$  such that  $\text{LimInfAvg}(\pi') > 0$  but for all paths  $\pi$  we have  $\text{LimInfAvg}(\pi) < \epsilon$ . Consider the WPS  $\mathcal{A}^{-\epsilon}$  obtained by subtracting  $\epsilon$  from all the weights of  $\mathcal{A}$ . Then in  $\mathcal{A}^{-\epsilon}$  there are no good cycles, that is, for all the cycles  $C$  in  $\text{Gr}(\mathcal{A}^{-\epsilon})$  the sum of the weights of the cycle  $C$  is negative (note that if  $\text{Gr}(\mathcal{A}^{-\epsilon})$  has a cycle with non-negative sum of weights then we could obtain a path  $\pi$  with  $\text{LimInfAvg}(\pi) \geq \epsilon$ ). We construct a WPS  $(-\mathcal{A})^\epsilon$  by multiplying all the weights of  $\mathcal{A}^{-\epsilon}$  by  $-1$ . Since all the cycles in  $\text{Gr}(\mathcal{A}^{-\epsilon})$  have negative sum of weights it follows that all the cycles in  $\text{Gr}((-\mathcal{A})^\epsilon)$  are good. Hence, by Lemma 13 it follows that for every  $\delta > 0$ , all the cycles in  $\text{Gr}((-\mathcal{A})^\delta)$  are good. Therefore, for every  $\delta > 0$  we get that all the cycles in  $\text{Gr}(\mathcal{A}^{-\delta})$  have negative sum of weights and it follows that for all paths  $\pi$  in  $\mathcal{A}^{-\delta}$  we have  $\text{LimInfAvg}(\pi) < 0$ . Thus, we conclude that for every  $\delta > 0$  and for every infinite path  $\pi$  we have  $\text{LimInfAvg}(\pi) \leq \delta$ , which contradicts the assumption that there exists a path  $\pi'$  with  $\text{LimInfAvg}(\pi') > 0$  (since surely, for some  $\delta > 0$  it must hold that  $\text{LimInfAvg}(\pi') > \delta$ ).  $\square$

*Remark 2.* In Corollary 1 we show a bound  $\epsilon$  such that if there is a path  $\pi'$  with  $\text{LimInfAvg}(\pi') > 0$  then there is a path  $\pi$  such that  $\text{LimInfAvg}(\pi) \geq \epsilon > 0$ , where the denominator of  $\epsilon$  is exponential in the input WPS (thus can be expressed in polynomially many bits). A matching exponential lower bound is also easy to obtain and we describe the main ideas: consider the language that consists of a single string  $a^{2^n}$ , and it is well-known that a pushdown automata with  $O(n)$  states can accept the language. Consider a WPS obtained from the pushdown automata that after reaching the accepting state receives weight 1, and all other weights are 0, and from the accepting state returns back to the start state. In such a WPS with  $O(n)$  states there is a path  $\pi'$  such that  $\text{LimInfAvg}(\pi') > 0$ , but for all paths  $\pi$  we have  $\text{LimInfAvg}(\pi) \leq \frac{1}{2^n}$ .

**Corollary 2** *Given a WPS  $\mathcal{A}$ , whether there exists an ultimately periodic infinite path  $\pi$  such that  $\text{LimInfAvg}(\pi) \geq 0$  (or  $\text{LimSupAvg}(\pi) \geq 0$ ) can be decided in polynomial time.*

*Proof.* We first observe that for any ultimately periodic path  $\pi$  we have  $\text{LimInfAvg}(\pi) = \text{LimSupAvg}(\pi)$ . Hence, it is enough to prove the assertion for the  $\text{LimInfAvg}(\pi) \geq 0$  objective. The proof will immediately follow from the next claim: There exists an ultimately periodic path  $\pi = \pi_0(\pi_1)^\omega$  with  $\text{LimInfAvg}(\pi) \geq 0$  if and only if the summary graph  $\text{Gr}(\mathcal{A})$  contains a (reachable) cycle with non-negative sum of weights. We first prove the claim. The proof for the direction from right to left is straightforward and is as follows. If  $\text{Gr}(\mathcal{A})$  has a cycle with non-negative sum of weights, then there exists a non-decreasing cyclic path  $\pi_1$  that begins in configuration  $(\alpha\gamma, q)$  with  $w(\pi_1) \geq 0$ . Since the cycle is reachable, then there is a path  $\pi_0$  that begins in  $(\perp, q_0)$  and ends in  $(\alpha\gamma, q)$ . Since  $\pi_1$  is non-decreasing, the path  $\pi_0(\pi_1)^\omega$  is a valid infinite path, and since  $w(\pi_1) \geq 0$  we get that  $\text{LimInfAvg}(\pi_0(\pi_1)^\omega) = \frac{w(\pi_1)}{|\pi_1|} \geq 0$ . To prove the converse direction, we assume that all the cycles in  $\text{Gr}(\mathcal{A})$  have negative sum of weights and show that for all ultimately periodic paths  $\pi$  we have  $\text{LimInfAvg}(\pi) < 0$ . Let  $\pi = \pi_0(\pi_1)^\omega$  be a valid path in  $\mathcal{A}$ , and let  $c_1, c_2, \dots$  be the configurations of  $\pi$  and  $m_1, m_2, \dots$  be the sequence of infinitely many local minima in  $\pi$ . Let  $(\gamma, q)$  be a stack symbol and a state such that  $|\{i \mid \text{Top}(m_i) = (\gamma, q)\}| = \infty$ . Since  $\pi$  is ultimately periodic, then for some index  $i$  we get that for every  $j \in \mathbb{N}$  it holds that  $\text{Top}(c_{i+|\pi_1|j}) = (\gamma, q)$ . Hence, if we denote by  $W_{(\gamma, q)}$  the weight of the maximal-weight non-decreasing path from  $(\gamma, q)$  to  $(\gamma, q)$  we get that  $\text{LimInfAvg}(\pi = \pi_0(\pi_1)^\omega) \leq \frac{W_{(\gamma, q)}}{|\pi_1|}$ . Since all the cycles in  $\text{Gr}(\mathcal{A})$  have negative sum of weights we get that  $W_{(\gamma, q)} < 0$ , and therefore  $\text{LimInfAvg}(\pi) < 0$ . Hence, the polynomial-time algorithm is to construct  $\text{Gr}(\mathcal{A})$  and to detect the existence of a non-negative cycle.  $\square$

### 2.3 Mean-payoff objectives with stack boundedness

In this section we consider WPSs with mean-payoff objectives along with the *stack boundedness* condition that requires the height of the stack to be bounded. An infinite path  $\pi = \langle c_1, c_2, \dots, c_i \dots \rangle$  is a *stack bounded path* if there exists  $n \in \mathbb{N}$  such that  $|\alpha_i| \leq n$  for every  $i \in \mathbb{N}$  (recall that  $\alpha_i$  is the stack string of configuration  $c_i$ ).

**Theorem 3** *Given a WPS  $\mathcal{A}$ , the following problems can be solved in polynomial time.*

1. *Does there exist a stack bounded infinite path  $\pi$  such that  $\text{LimInfAvg}(\pi) \bowtie 0$  (resp.  $\text{LimSupAvg}(\pi) \bowtie 0$ ), for  $\bowtie \in \{\geq, >\}$ ?*
2. *Is  $\sup\{\text{LimInfAvg}(\pi) \mid \pi \text{ is a stack bounded path}\} \geq 0$  (resp.  $\sup\{\text{LimSupAvg}(\pi) \mid \pi \text{ is a stack bounded path}\} \geq 0$ )?*

*Proof.* The results for each item are proved with a lemma below.

**Lemma 15** *There exists a stack bounded infinite path  $\pi$  in  $\mathcal{A}$  such that  $\text{LimSupAvg}(\pi) > 0$  (resp.  $\text{LimSupAvg}(\pi) \geq 0$ ) iff the summary graph  $\text{Gr}(\mathcal{A})$  has a vertex with self-loop that has a positive (resp. non-negative) weight.*

*Proof.* If there exists a stack bounded infinite path  $\pi$  in  $\mathcal{A}$  such that  $\text{LimSupAvg}(\pi) > 0$  (resp.  $\text{LimSupAvg}(\pi) \geq 0$ ), then it contains a cycle that begins and ends at configuration  $(\alpha\gamma, q)$  with positive (resp. non-negative) weight. Hence in the summary graph  $\text{Gr}(\mathcal{A})$  the vertex  $(\gamma, q)$  will have a self-loop with positive (resp. non-negative) weight. Conversely, if there is a (reachable) vertex  $(\gamma, q)$  in  $\text{Gr}(\mathcal{A})$  with a positive (resp. non-negative) weight self-loop, then for some stack string  $\alpha$  there is a non-decreasing path  $\pi_1$  from  $(\alpha\gamma, q)$  to  $(\alpha\gamma, q)$  with  $w(\pi_1) > 0$  (resp.  $w(\pi_1) \geq 0$ ) and there is a path  $\pi_0$  from  $(\perp, q_0)$  to  $(\alpha\gamma, q)$ . Hence the stack height of the path  $\pi = \pi_0(\pi_1)^\omega$  is bounded by  $\text{ASH}(\pi_0) + \text{ASH}(\pi_1)$ , and  $\text{LimSupAvg}(\pi) > 0$  (resp.  $\text{LimSupAvg}(\pi) \geq 0$ ).  $\square$

It is straightforward to verify that Lemma 15 also holds for  $\text{LimInfAvg}(\pi)$  objectives (we simply replace every occurrence of  $\text{LimSupAvg}$  by  $\text{LimInfAvg}$  and the same argument holds). This gives us the first item of the theorem. The next lemma proves the last item of the theorem.

**Lemma 16** *Let  $\epsilon$  be the constant from Lemma 13. Then there exists a stack bounded infinite path  $\pi$  such that  $\text{LimInfAvg}(\pi) > -\epsilon$  iff  $\sup\{\text{LimInfAvg}(\pi) \mid \pi \text{ is a stack bounded path}\} \geq 0$ .*



*Proof.* The direction from right to left is immediate (clearly, if all paths  $\pi$  have  $\text{LimInfAvg}(\pi) \leq -\epsilon$ , then  $\sup\{\text{LimInfAvg}(\pi) \mid \pi \text{ is a stack bounded path}\} < 0$ ). In order to prove the other direction let us assume that there exists a stack bounded infinite path  $\pi$  such that  $\text{LimInfAvg}(\pi) > -\epsilon$ . Hence by Lemma 15 the summary graph  $\text{Gr}(\mathcal{A}^\epsilon)$  contains a self-loop for vertex  $(\gamma, q)$  with positive weight. By the same argument used in the proof of Lemma 13 it follows that for every  $\delta > 0$  the self-loop of vertex  $(\gamma, q)$  will have a positive weight in graph  $\text{Gr}(\mathcal{A}^\delta)$ . Hence for every  $\delta > 0$  there exists a stack bounded path  $\pi_\delta$  such that  $\text{LimInfAvg}(\pi_\delta) > -\delta$ , which implies that  $\sup\{\text{LimInfAvg}(\pi) \mid \pi \text{ is a stack bounded path}\} \geq 0$ .  $\square$

The proof of Lemma 16 straightforwardly extends to  $\text{LimSupAvg}(\pi)$  objectives (we simply replace every occurrence of  $\text{LimInfAvg}$  by  $\text{LimSupAvg}$  and the same argument holds), and hence we have the desired result of the theorem.  $\square$

Thus we have the following result summarizing the computational complexity.

**Theorem 4** *Given a WPS  $\mathcal{A}$ , the following questions can be solved in polynomial time: (1) Whether there exists a path  $\pi$  in  $\Phi \bowtie 0$ , where  $\Phi \in \{\text{LimSupAvg}, \text{LimInfAvg}\}$  and  $\bowtie \in \{\geq, >\}$ ; and (2) whether there exists a path  $\pi$  in  $\Phi \bowtie 0$  such that  $\pi$  is stack bounded, where  $\Phi \in \{\text{LimSupAvg}, \text{LimInfAvg}\}$  and  $\bowtie \in \{\geq, >\}$ .*

### 3 Mean-Payoff Pushdown Games

In this section we consider pushdown games with mean-payoff objectives. We will show that the problem of deciding the existence of a strategy (or even a finite-memory strategy) to ensure mean-payoff objectives in pushdown games is undecidable. The undecidability results will be obtained by a reduction from the *universality problem* of weighted automata, which is known to be undecidable [34, 1]. We start with the definition of weighted pushdown games.

**Weighted pushdown games (WPGs).** A *weighted pushdown game (WPG)*  $\mathcal{G} = \langle \mathcal{A}, (Q_1, Q_2) \rangle$  consists of a WPS  $\mathcal{A}$  and a partition  $(Q_1, Q_2)$  of the state space  $Q$  of  $\mathcal{A}$  into player-1 states  $Q_1$  and player-2 states  $Q_2$ . A WPG defines an infinite-state game graph  $(\overline{V}, \overline{E})$  with partition  $(\overline{V}_1, \overline{V}_2)$  of the vertex set  $\overline{V}$ , where  $\overline{V}$  is the set of configurations of  $\mathcal{A}$ , and  $\overline{V}_1 = \{(\alpha, q) \in \overline{V} \mid q \in Q_1\}$ ,  $\overline{V}_2 = \{(\alpha, q) \in \overline{V} \mid q \in Q_2\}$  and  $\overline{E}$  is obtained from the transitions of  $\mathcal{A}$ . The *initial vertex* is the configuration  $(\perp, q_0)$ .

*Plays and strategies.* A *play* on  $\mathcal{G}$  (or equivalently on the infinite-state game graph) is played in the following way: a pebble (or token) is placed on the initial vertex; and in every round, if the pebble is currently on player-1 vertex (a vertex in  $\overline{V}_1$ ), then he chooses an edge to follow, and moves the pebble accordingly; and if the current vertex is a player-2 vertex, he does likewise. The process goes on forever and generates an infinite *play* (an infinite path  $\pi$  in the infinite graph of the game). A *strategy* for player 1 is a recipe to extend plays; formally, a strategy for player 1 is a function  $\tau : \overline{V}^* \times \overline{V}_1 \rightarrow \overline{V}$  such that for all  $w \in \overline{V}^*$  and  $v \in \overline{V}_1$  we have  $(v, \tau(w \cdot v)) \in \overline{E}$ . Equivalently a strategy for player 1 given a history of configurations (i.e., the sequence of configurations of the finite prefix of a play) ending in a player-1 state, chooses the successor configuration according to the transitions of  $\mathcal{A}$ . A play  $\pi = v_1 v_2 \dots$  is *consistent* with a strategy  $\tau$  if for every  $v_i \in \overline{V}_1$  we have  $v_{i+1} = \tau(v_1 v_2 \dots v_i)$ , i.e., the play is possible according to the strategy  $\tau$ . The definition of player-2 strategies is analogous. Informally a strategy can be viewed as a transducer that takes as input the sequence of transitions, and outputs the transitions to be taken. A strategy is called a *finite-memory strategy* if there is a finite-state transducer to implement the strategy. Formally, a finite path in a WPG  $\mathcal{G}$  with WPS  $\mathcal{A}$  starts in the initial configuration and is a finite sequence of transitions in  $\mathcal{A}$ , and a finite-memory strategy is a finite-state transducer that has the set of transitions as both the input and the output alphabet. Thus given a finite sequence of transitions, the strategy as the transducer outputs the next transition to be played.

*Winning strategies.* We will consider mean-payoff objectives, as already defined in the previous section. A player-1 strategy  $\tau$  is a *winning strategy* if for every play  $\pi$  consistent with  $\tau$  we have  $\text{LimInfAvg}(\pi) \geq 0$  (resp.  $\text{LimInfAvg}(\pi) > 0$ ,  $\text{LimSupAvg}(\pi) \geq 0$ ,  $\text{LimSupAvg}(\pi) > 0$ ). In other words, a winning strategy for player 1 ensures the mean-payoff objective against all strategies of player 2. We are interested in the question of existence of a winning strategy, and the existence of a finite-memory winning strategy

for player 1 in WPGs with mean-payoff objectives. Our undecidability results for WPGs with mean-payoff objectives will be obtained by a reduction from the non-universality problem of weighted finite automata. We define the problem below.

**Weighted finite automata (WFA).** A *weighted finite automaton (WFA)* is a tuple  $\mathcal{A} = \langle \Sigma, Q, q_0, \Delta, w : \Delta \rightarrow \mathbb{Z} \rangle$ , where  $\Sigma$  is a finite input alphabet,  $Q$  is a finite set of states,  $\Delta \subseteq Q \times \Sigma \times Q$  is a transition relation,  $w : \Delta \rightarrow \mathbb{Z}$  is a weight function and  $q_0 \in Q$  is the initial state. For a word  $\rho = \sigma_1 \sigma_2 \dots \sigma_n$ , a *run* of  $\mathcal{A}$  on  $\rho$  is a sequence  $r = r_0 r_1 \dots r_n \in Q^+$ , where  $r_0 = q_0$ , and for all  $1 \leq i \leq n$  we have  $d_i = (r_{i-1}, \sigma_i, r_i) \in \Delta$ . The weight of the run  $r$  is  $w(r) = \sum_{i=1}^n w(d_i)$ . Since the automaton is non-deterministic there may be several runs for a word, and the weight of a finite word  $\rho \in \Sigma^*$  over  $\mathcal{A}$  is the minimal weight over all runs on  $\rho$ , i.e.,  $L_{\mathcal{A}}(\rho) = \min\{w(r) \mid r \text{ is a run of } \mathcal{A} \text{ on } \rho\}$ . The *non-universality* problem asks, given  $\nu \in \mathbb{Z}$ , whether there exists a word  $\rho \in \Sigma^*$  for which  $L_{\mathcal{A}}(\rho) \geq \nu$ ?; equivalently, is it not the case that for every  $\rho \in \Sigma^*$  we have  $L_{\mathcal{A}}(\rho) \leq \nu - 1$ ?

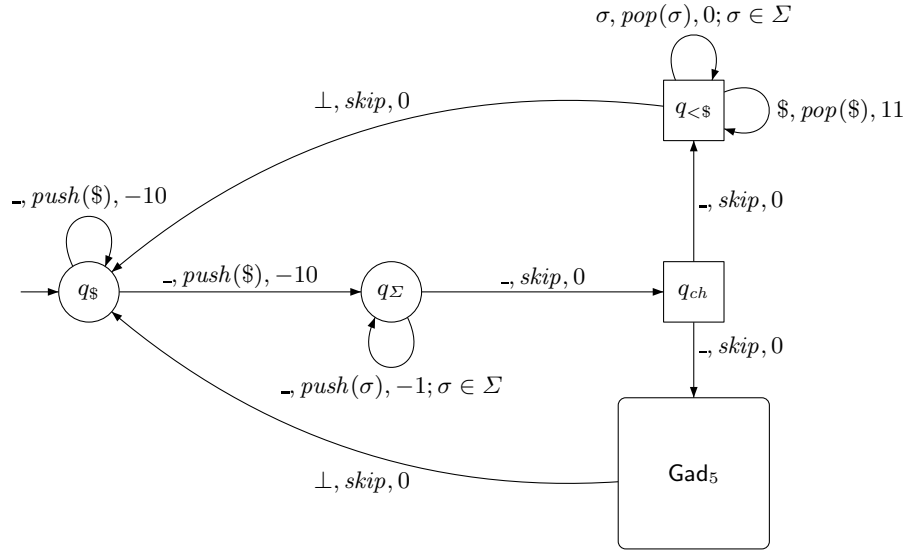
**Theorem 5 ([1])** *The non-universality problem is undecidable for WFA, even in the special case where the weight function is  $w : \Delta \rightarrow \{-1, 0, 1\}$ , the automaton has unique initial state and the threshold is 0.*

Informally, given a WFA  $\mathcal{A}$  we will construct a WPG in such way that in the first rounds player-1 fills the stack with letters that construct a word  $\rho$  of  $\mathcal{A}$ , and then player-2 simulates the WFA's minimal run on  $\rho$  and then the game returns to the initial state. If for all  $\rho \in \Sigma^*$  we have  $L_{\mathcal{A}}(\rho) \leq 0$ , then the mean-payoff of the play will be at most 0, otherwise, there exists a word  $\rho \in \Sigma^*$  such that  $L_{\mathcal{A}}(\rho) > 0$ , and then by playing according to  $\rho$ , player-1 can ensure a positive mean-payoff.

**Reduction: WFA to WPGs.** We first prove that WPGs are undecidable for  $\text{LimInfAvg}(\pi) > 0$  and  $\text{LimSupAvg}(\pi) > 0$  objectives. This proof will immediately show the undecidability also for  $\text{LimInfAvg}(\pi) \geq 0$  and  $\text{LimSupAvg}(\pi) \geq 0$  objectives, as  $\text{LimInfAvg}(\pi) \geq 0$  (resp.  $\text{LimSupAvg}(\pi) \geq 0$ ) is dual to the objective of player 2 when the objective of player 1 is  $\text{LimSupAvg}(\pi) > 0$  (resp.  $\text{LimInfAvg}(\pi) > 0$ ).

*Reduction.* The reduction from the non-universality problem of a weighted automaton is as follows. Given a WFA  $\mathcal{A} = \langle \Sigma, Q, q_0, \Delta, w : \Delta \rightarrow \{-1, 0, 1\} \rangle$  we construct a WPG  $\mathcal{G}$  with the aid of *five* gadgets, and we describe the gadgets below. WLOG we assume that there is a special symbol  $\$$  that does not belong to  $\Sigma$ .

1. *Gadget 1.* The first gadget contains only one state, namely  $q_{\$}$ , which is a player-1 state. The state has two possible transitions. In the first transition it pushes  $\$$  into the stack and remains in the same state. In the second transition it pushes  $\$$  and goes to the second gadget. All the weights in this gadget are  $-10$ .
2. *Gadget 2.* The second gadget also contains one state, namely  $q_{\Sigma}$ , which is also a player-1 state. For every  $\sigma \in \Sigma$  the state has a transition that pushes  $\sigma$  into the stack and remains in the same state. In addition there is one more transition, which leads to the third gadget keeping the stack unchanged with weight 0. All the weights in this gadget (other than the skip transition) are  $-1$ . Informally, in this gadget player 1 needs to construct a word  $\rho$  such that the reverse of  $\rho$  has value at least 1 in  $\mathcal{A}$ . For a word  $\rho$ , let  $\text{rev}(\rho)$  denote the reverse of the word.
  - In this gadget player 1 should construct a word  $\rho \in \Sigma^*$  for which  $L_{\mathcal{A}}(\text{rev}(\rho)) \geq 1$ .
  - The WPG  $\mathcal{G}$  will be constructed in such way that player 1 must play in a way so that the number of  $\$$  in the stack will be greater than the number of letters from  $\Sigma$  to ensure the mean-payoff objectives.
3. *Gadget 3.* The third gadget is the *choice* gadget with only one player-2 state  $q_{ch}$ , which either leads to the fourth gadget or the fifth gadget. The weights of the transitions are 0 and the stack is not changed. Informally, player-2 should go to the fifth gadget if the word that player 1 pushed into the stack has non-positive weight, and should go to the fourth gadget if the number of  $\$$  symbols in the stack is less than the number of symbols from  $\Sigma$ .
4. *Gadget 4.* The fourth gadget consists of only one player-2 state  $q_{<\$}$  (to denote that there is not enough  $\$$  symbols). It has a transition  $\text{pop}(\sigma)$  with 0 weight, for all  $\sigma \in \Sigma$ ; and a transition  $\text{pop}(\$)$  with  $+11$  weight. If the stack is empty, then there is a transition to the initial state. A pictorial description of the first four gadgets is shown in Figure 5, where  $\circ$  denotes player-1 states,  $\square$  denotes player-2 states, and edges are labeled by stack top; followed by the stack command; and then the weight; and if the stack top is irrelevant (i.e., the transition is valid for all stack tops), then it is denoted as  $\_$ . We now describe the fifth gadget.



**Fig. 5.** The WPG  $\mathcal{G}$  from WFA  $\mathcal{A}$ .

5. *Gadget 5.* The fifth gadget is the *simulate run* gadget. The states in this gadgets are essentially the set  $Q$  of states of the automaton  $\mathcal{A}$ ; and all the states are player-2 states. The transitions and edge weights are as follows: (i) for every  $(q, \sigma, q') \in \Delta$  we have a transition  $(q, \sigma, q', pop(\sigma))$ , with weight  $w_{\mathcal{A}}(q, \sigma, q') + 1$  (1 plus the weight in  $\mathcal{A}$ ); and (ii) in addition there exists a transition  $(q, \$, q, pop(\$))$  with weight  $+10$  and a transition  $(q, \perp, q_{\$}, skip)$  to the initial state for empty stack with weight 0.

*Remark 3. (Comment on naive solution).* Our reduction consists of five gadgets and we comment on a simpler reduction. Consider a naive solution with only two gadgets (Gadget 2 and Gadget 5): in one player 1 fills the stack and in the other player 2 simulates the run. This reduction only works for  $\text{LimInfAvg}$  objectives with strict inequality. We comment on other cases below.

1. For  $\text{LimInfAvg}(\pi) \geq 0$  objective, it is possible that the WFA assigns  $-1$  value for all finite words, but player 1 can still achieve  $\text{LimInfAvg}(\pi) = 0$  by selecting words with increasing lengths.
2. For the  $\text{LimSupAvg}(\pi) > 0$  objective it is possible that player 1 will select a finite word  $\rho$  such that there is a run of the WFA  $\mathcal{A}$  that assigns a zero weight to  $\rho$ , but the run has a prefix with positive weight. Hence, for infinitely many positions of the path of the two-player game the total weight is positive and hence the path satisfies  $\text{LimSupAvg}(\pi) > 0$  objective.

Hence a reduction with only Gadget 2 and Gadget 5 fails to uniformly capture all cases. To handle the above issues, we introduce Gadgets 1, 3, and 4. Intuitively, these gadgets ensure that before player 1 fills the stack with a word  $\rho$ , he will make at least  $|\rho| + 1$  push  $\$$  transitions (with negative weights). Consequently, when player 2 simulates a run of the WFA the total weight of the play remains non-positive, at least until the pop  $\$$  transitions are done, and the weight becomes positive only if  $L_{\mathcal{A}}(\rho) > 0$ .

**Correctness of reduction.** We will now prove the correctness of the reduction by showing that there is a winning strategy (also a finite-memory winning strategy) in the WPG  $\mathcal{G}$  for mean-payoff objectives with strict inequality iff there is a finite word  $\rho \in \Sigma^*$  such that  $L_{\mathcal{A}}(\rho) \geq 1$ . Let  $\pi$  be a play on the above WPG  $\mathcal{G}$ . The  $i$ -th iteration of the play are the positions between the  $i$ -th visit and the  $(i + 1)$ -th visit to the initial state.

**Lemma 17** *If there is a word  $\rho \in \Sigma^*$  such that  $L_{\mathcal{A}}(\rho) \geq 1$ , then there exists a finite-memory strategy  $\tau_1^*$  for player 1 to ensure that for all plays  $\pi$  consistent with  $\tau_1^*$  we have  $\text{LimSupAvg}(\pi) > 0$  and  $\text{LimInfAvg}(\pi) > 0$ .*

*Proof.* The finite-memory strategy  $\tau_1^*$  for player 1 is to play in every iteration  $\$^{n+1}$  in  $q_{\$}$  followed by  $\text{rev}(\rho)$  in  $q_{\Sigma}$ , where  $n = |\rho|$  is the length of the word  $\rho$ . In every iteration, the sum of the weights is at least 1 as  $L_{\mathcal{A}}(\rho) \geq 1$ , and the length of a play in every iteration is at most  $4 \cdot n + 2$ . It follows that for all plays  $\pi$  consistent with  $\tau_1^*$  we have both  $\text{LimSupAvg}(\pi) > 0$  and  $\text{LimInfAvg}(\pi) > 0$ .  $\square$

**Lemma 18** *If for all words  $\rho \in \Sigma^*$  we have  $L_{\mathcal{A}}(\rho) \leq 0$ , then there exists a counter strategy  $\tau_2^*$  for player 2 to ensure that for all strategies  $\tau_1$  of player 1, for the play given  $\tau_2^*$  and  $\tau_1$ : for all iterations  $i$ , for every position between the  $i$ -th iteration and the  $(i+1)$ -th iteration, the sum of the weights from the beginning of the iteration to the current position of the iteration is at most 0.*

*Proof.* The counter strategy  $\tau_2^*$  is as follows: consider an iteration  $i$ , and let the strategy of player 1 in this iteration produce the sequence  $\$^n \rho$ , for  $\rho \in \Sigma^*$ . Note that if the state  $q_{ch}$  is never reached, then all the weights are negative (in  $q_{\$}$  and  $q_{\Sigma}$  all weights are negative). The strategy  $\tau_2^*$  is described considering the following two cases.

1. If  $n \leq |\rho|$ , then the strategy  $\tau_2^*$  chooses the state  $q_{<\$}$  at the state  $q_{ch}$  (since there are not enough  $\$$  in the stack). For any position of the play till state  $q_{ch}$  is reached, the sum of the weights is negative. Once  $q_{<\$}$  is reached, for any position, the payoff is at most  $-10 \cdot n - |\rho| + 11 \cdot n = -|\rho| + n \leq 0$ , as  $n \leq |\rho|$ .
2. Otherwise, we have  $n > |\rho|$  and  $L_{\mathcal{A}}(\text{rev}(\rho)) \leq 0$ . There exists a run  $r$  on  $\text{rev}(\rho)$  such that for every prefix  $\beta$  of  $\text{rev}(\rho)$  the sum of the weights is at most  $2 \cdot |\beta| \leq 2 \cdot |\rho| < 2 \cdot n$  (since the absolute value of the weights of  $\mathcal{A}$  are bounded by 1 and therefore the weights in Gadget 5 are bounded by 2) and in the end of the run, the sum of the weights is at most 0. The counter strategy  $\tau_2^*$  follows the run  $r$ . Hence the sum of the weights for any prefix  $\beta$  is at most  $-10 \cdot n + 2 \cdot |\beta| \leq -10 \cdot n + 2 \cdot n < 0$ , until the letter  $\$$  is the top symbol of the stack. Once  $\$$  is the top symbol, the sum of the weights is at most  $-10 \cdot n$ , since the sum of the weights of the run is at most 0. Since with each pop of  $\$$  the weight is 10, and there are  $n$  pops, it follows that in every position of the iteration the sum of the weights is at most 0. Finally, once the iteration is completed the sum of the weights is also at most 0.

The desired result follows. □

**Lemma 19** *Given WFA  $\mathcal{A}$  and the WPG  $\mathcal{G}$  constructed by the reduction, the following the assertions hold:*

1. *If there is a word  $\rho \in \Sigma^*$  such that  $L_{\mathcal{A}}(\rho) \geq 1$ , then there is a finite-memory winning strategy  $\tau_1^*$  for player 1 for the objectives  $\text{LimSupAvg}(\pi) > 0$  and  $\text{LimInfAvg}(\pi) > 0$ .*
2. *If for all words  $\rho \in \Sigma^*$  we have  $L_{\mathcal{A}}(\rho) \leq 0$ , then there is no winning strategy for player 1 for the objectives  $\text{LimSupAvg}(\pi) > 0$  and  $\text{LimInfAvg}(\pi) > 0$ .*
3. *There exists a winning strategy (resp. a finite-memory winning strategy) for player 1 for the objectives  $\text{LimSupAvg}(\pi) > 0$  and  $\text{LimInfAvg}(\pi) > 0$  iff there is a word  $\rho \in \Sigma^*$  such that  $L_{\mathcal{A}}(\rho) \geq 1$ .*

*Proof.* Note that the third item is a consequence of the first two items. The first item follows from Lemma 17. We now use Lemma 18 to prove the second item. Given the condition of the second item, let us consider the strategy  $\tau_2^*$  for player 2 as described in Lemma 18. Let  $\pi$  be a play consistent with  $\tau_2^*$ . We consider two cases to complete the proof.

- If  $\pi$  does not have an infinite number of iterations, then from some point on only states  $q_{\$}$  or  $q_{\Sigma}$  are visited, and they both have only negative weights. Hence all the weights that occur in  $\pi$  from some point on are non-positive and hence  $\text{LimInfAvg}(\pi) \leq \text{LimSupAvg}(\pi) \leq 0$ .
- Otherwise,  $\pi$  has an infinite number of iterations. Given  $\tau_2^*$  it follows from Lemma 18 that for all iterations, in every position of an iteration, the sum of the weights from the beginning of the iteration to the current position is non-positive. Hence  $\text{LimInfAvg}(\pi) \leq \text{LimSupAvg}(\pi) \leq 0$ .

The desired result follows. □

**Undecidability for related decision problems.** It follows from Lemma 19 that the existence of winning strategies (resp. finite-memory winning strategies) for mean-payoff objectives with strict inequality is undecidable for WPGs. For general strategies the result also follows for non-strict inequality by duality. We now show the undecidability for finite-memory strategies for the non-strict inequality as well as undecidability for stack boundedness. This is done by showing a reduction from the non-universality problem for WFA with threshold  $\nu = 0$ . The reduction is identical to the original reduction presented in this section. If there exists a word  $\rho \in \Sigma^*$  such that  $L_{\mathcal{A}}(\rho) \geq 0$ , then playing  $\$^{|\rho|+1} \text{rev}(\rho)$  in every iteration is a finite-memory winning strategy for player-1 (also for the stack boundedness condition). Otherwise, for every  $\rho \in \Sigma^*$  we have  $L_{\mathcal{A}}(\rho) \leq -1$ . In this case, against every

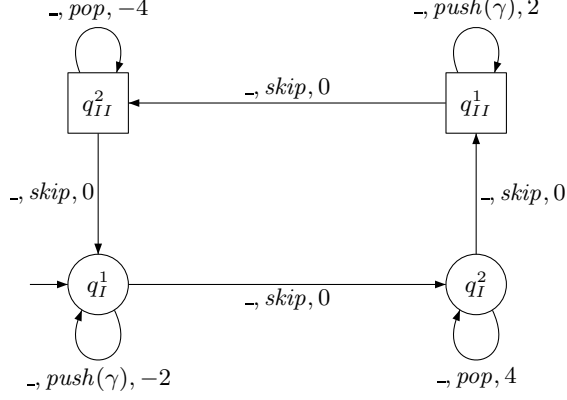


Fig. 6. Example WPG  $\mathcal{G}$ .

player-1 finite-memory strategy, with memory size  $M$ , player-2 has a strategy that ensures that the mean-payoff is at most  $-\frac{1}{2M}$ . Indeed, every iteration is either of length at most  $2M$  (i.e.,  $M$  steps for filling the stack and  $M$  steps for simulating the WFA) or infinite (player 1 repeatedly pushes symbols to the stack, and player 2 does not get a chance to make a move). In the first case the mean-payoff is at most  $-\frac{1}{2M}$  and in the second case it is at most  $-1$ . Similarly, against every player-1 strategy that ensures stack height at most  $M$ , player 2 has a strategy that ensures that the mean-payoff at most  $-\frac{1}{2M}$  (since every iteration is of length at most  $2M$  and the total weight of every iteration is at most  $-1$ ).

**Theorem 6** *Given a WPG  $\mathcal{G}$ , the following questions are undecidable: (1) Whether there exists a winning strategy (resp. finite-memory winning strategy) to ensure  $\Phi \bowtie 0$ , where  $\Phi \in \{\text{LimSupAvg}, \text{LimInfAvg}\}$  and  $\bowtie \in \{\geq, >\}$ ; and (2) whether there exists a winning strategy (resp. finite-memory winning strategy) to ensure  $\Phi \bowtie 0$  along with stack boundedness, where  $\Phi \in \{\text{LimSupAvg}, \text{LimInfAvg}\}$  and  $\bowtie \in \{\geq, >\}$ .*

**Distinguishing facts.** We now show some interesting facts about WPGs with mean-payoff objectives that distinguish them from finite game graphs with mean-payoff objectives.

1. *Fact 1.* It follows from the proof of Theorem 2 (Example 1 for the fact that ultimately periodic paths are not sufficient) that in general, positional (or memoryless) strategies are not sufficient, and infinite-memory strategies are required in general (in contrast, in finite game graphs, memoryless winning strategies are guaranteed to exist).
2. *Fact 2.* The objectives  $\text{LimSupAvg}$  and  $\text{LimInfAvg}$  do not coincide in general for WPGs. We show this in Example 2.
3. *Fact 3.* We also note that pushdown mean-payoff games are very different as compared to parity games. For finite-state games both parity and mean-payoff objectives have the same complexity (both lie in  $\text{NP} \cap \text{coNP}$  and also in  $\text{UP} \cap \text{coUP}$  [32]), in contrast for pushdown games the mean-payoff problem is undecidable, whereas the parity problem is EXPTIME-complete [42]. Moreover, for countably infinite games with finitely many priorities, for parity objectives memoryless winning strategies exist [40], whereas as we show (Fact 1) for mean-payoff pushdown games infinite-memory strategies are required.

**Example 2** *We show that there exists a WPG such that player-1 can ensure that  $\text{LimSupAvg}(\pi) \geq 2$  and player-2 can ensure that  $\text{LimInfAvg}(\pi) \leq -2$ . The WPG is described as follows: Let  $Q_1 = \{q_I^1, q_I^2\}$  and  $Q_2 = \{q_{II}^1, q_{II}^2\}$ , and let  $E$ , the set of transitions, be as follows*

- $(q_I^1, \perp, q_I^1, \text{push}(\gamma))$  with weight  $-2$ ;
- $(q_I^1, \gamma, q_I^1, \text{push}(\gamma))$  with weight  $-2$ ;
- $(q_I^1, \gamma, q_I^2, \text{skip})$  with weight  $0$ ;
- $(q_I^2, \gamma, q_I^2, \text{pop})$  with weight  $+4$ ;
- $(q_I^2, \perp, q_{II}^1, \text{skip})$  with weight  $0$ ;
- $(q_{II}^1, \perp, q_{II}^1, \text{push}(\gamma))$  with weight  $+2$ ;

- $(q_{II}^1, \gamma, q_{II}^1, \text{push}(\gamma))$  with weight  $+2$ ;
- $(q_{II}^1, \gamma, q_{II}^2, \text{skip})$  with weight  $0$ ;
- $(q_{II}^2, \gamma, q_{II}^2, \text{pop})$  with weight  $-4$ ;
- $(q_{II}^2, \perp, q_I^1, \text{skip})$  with weight  $0$ .

The WPG is shown in Figure 6. It is straightforward to verify that player-1 can ensure  $\text{LimSupAvg}(\pi) \geq 2$ , and player-2 can ensure  $\text{LimInfAvg}(\pi) \leq -2$ .  $\square$

## 4 Recursive Games and Modular Strategies

In this section we will consider a special class of strategies, namely *modular* strategies, in pushdown games. Modular strategies are more intuitive in the model of recursive game graphs, and recursive game graphs are equivalent to pushdown game graphs. We first present the definitions of recursive game graphs from [7], then give an overview of the solution and present some basic properties for recursive game graphs.

**Weighted recursive game graphs (WRGs).** A *recursive game graph*  $\mathcal{A}$  consists of a tuple  $\langle A_1, \dots, A_n \rangle$  of *game modules*, where each game module  $A_i = (N_i, B_i, V_i^1, V_i^2, \text{En}_i, \text{Ex}_i, \delta_i)$  consists of the following components:

- A finite nonempty set of *nodes*  $N_i$ .
- A nonempty set of *entry nodes*  $\text{En}_i \subseteq N_i$  and a nonempty set of *exit nodes*  $\text{Ex}_i \subseteq N_i$ .
- A set of *boxes*  $B_i$ .
- Two disjoint sets  $V_i^1$  and  $V_i^2$  that partition the set of nodes and boxes into two sets, i.e.,  $V_i^1 \cup V_i^2 = N_i \cup B_i$  and  $V_i^1 \cap V_i^2 = \emptyset$ . The set  $V_i^1$  (resp.  $V_i^2$ ) denotes the places where it is the turn of player 1 (resp. player 2) to play (i.e., choose transitions). We denote the union of  $V_i^1$  and  $V_i^2$  by  $V_i$ .
- A labeling  $Y_i : B_i \rightarrow \{1, \dots, n\}$  that assigns to every box an index of the game modules  $A_1 \dots A_n$ .
- Let  $\text{Calls}_i = \{(b, e) \mid b \in B_i, e \in \text{En}_j, j = Y_i(b)\}$  denote the set of *calls* of module  $A_i$  and let  $\text{Retns}_i = \{(b, x) \mid b \in B_i, x \in \text{Ex}_j, j = Y_i(b)\}$  denote the set of *returns* in  $A_i$ . Then,  $\delta_i \subseteq (N_i \cup \text{Retns}_i) \times (N_i \cup \text{Calls}_i)$  is the *transition relation* for module  $A_i$ .

A *weighted recursive game graph* (for short WRG) is a recursive game graph, equipped with a weight function  $w$  on the transitions. We also refer the readers to [7] for detailed description and illustration with figures of recursive game graphs. WLOG we shall assume that the boxes and nodes of all modules are disjoint. Let  $B = \bigcup_i B_i$  denote the set of all boxes,  $N = \bigcup_i N_i$  denote the set of all nodes,  $\text{En} = \bigcup_i \text{En}_i$  denote the set of all entry nodes,  $\text{Ex} = \bigcup_i \text{Ex}_i$  denote the set of all exit nodes,  $V^1 = \bigcup_i V_i^1$  (resp.  $V^2 = \bigcup_i V_i^2$ ) denote the set of all places under player 1's control (resp. player 2's control), and  $V = V^1 \cup V^2$  denote the set of all vertices. We will also consider the special case of one-player WRGs, where either  $V^2$  is empty (player-1 WRGs) or  $V^1$  is empty (player-2 WRGs).

**Configurations, paths, and local history.** A *configuration*  $c$  consists of a sequence  $(b_1, \dots, b_r, u)$ , where  $b_1, \dots, b_r \in B$  and  $u \in N$ . Intuitively,  $b_1, \dots, b_r$  denote the current stack (of modules), and  $u$  is the current node. A sequence of configurations is *valid* if it does not violate the transition relation. The *configuration stack height* of  $c$  is  $r$ . Let us denote by  $\mathbb{C}$  the set of all configurations, and let  $\mathbb{C}_1$  (resp.  $\mathbb{C}_2$ ) denote the set of all configurations under player 1's control (resp. player 2's control), that is, all configurations in which  $u$  is under the control of player 1 (resp., player 2). A *path*  $\pi = \langle c_1, c_2, c_3, \dots \rangle$  is a valid sequence of configurations. Let  $\rho = \langle c_1, c_2, \dots, c_k \rangle$  be a valid finite sequence of configurations, such that  $c_i = (b_1^i, \dots, b_{d_i}^i, u_i)$ , and the stack height of  $c_i$  is  $d_i$ . The *stack height* of  $\pi$ , denoted by  $\text{SH}(\pi)$ , is  $\max\{d_1, \dots, d_k\}$  and  $\text{ASH}(\pi) = \text{SH}(\pi) - \max\{d_1, d_k\}$ . Let  $c_i$  be the first configuration with stack height  $d_i = d_k$ , such that for every  $i \leq j \leq k$ , if  $c_j$  has stack height  $d_i$ , then  $u_j \notin \text{Ex}$  ( $u_j$  is not an exit node). The *local history* of  $\rho$ , denoted by  $\text{LocalHistory}(\rho)$ , is the longest sequence  $(u_{j_1}, \dots, u_{j_m})$  such that  $c_{j_1} = c_i$ ,  $c_{j_m} = c_k$ ,  $j_1 < j_2 < \dots < j_m$ , and the stack height of  $c_{j_1}, \dots, c_{j_m}$  is exactly  $d_i$ . In other words, the local history contains the nodes of configurations  $c_i$  and  $c_k$  and all the nodes of the intermediate configurations of the same stack height. Intuitively, the local history is the sequence of nodes in a module. Note that by definition, for every  $\rho \in \mathbb{C}^*$ , there exists  $i \in \{1, \dots, n\}$  such that all the nodes that occur in  $\text{LocalHistory}(\rho)$  belongs to  $V_i$ . We say that  $\text{LocalHistory}(\rho) \in A_i$  if all the nodes in  $\text{LocalHistory}(\rho)$  belong to  $V_i$ .

**Global game graph and isomorphism to pushdown game graphs.** The *global game graph* corresponding to a WRG  $\mathcal{A} = \langle A_1, \dots, A_n \rangle$  is the graph of all valid configurations, and an edge

$(c_1, c_2)$  between configurations  $c_1$  and  $c_2$  exists if there is a transition from  $c_1$  to  $c_2$ . It follows from the results of [7] that every recursive game graph has an isomorphic pushdown game graph that is computable in polynomial time. We note that the simulation requires some extra transitions that may influence the value of mean-payoff in the original and the simulated runs. But since we only ask whether the mean-payoff value is positive (or non-negative), this does not influence our results, since we assign zero weights for the auxiliary transitions.

**Plays, strategies, and modular strategies.** A play begins at the entry node of module  $A_0$  and it is played in the usual sense over the global game graph (which is possibly an infinite graph). A (finite) play is a (finite) valid sequence of configurations  $\langle c_1, c_2, c_3, \dots \rangle$  (i.e., a path in the global game graph). A finite path  $\pi$  is a *sub-play* if there exist a finite path  $\pi_0$  such that  $\pi_0 \cdot \pi$  is a prefix of a valid play. A *strategy* for player 1 is a function  $\tau : \mathbb{C}^* \times \mathbb{C}_1 \rightarrow \mathbb{C}$  respecting the edge relationship of the global game graph, i.e., for all  $w \in \mathbb{C}^*$  and  $c_1 \in \mathbb{C}_1$  we have that  $(c_1, \tau(w \cdot c_1))$  is an edge in the global game graph. A *modular strategy*  $\tau$  for player 1 is a set of functions  $\{\tau_i\}_{i=1}^n$ , one for each module, where for every  $i$ , we have  $\tau_i : (N_i \cup \text{Retns}_i)^* \rightarrow \delta_i$ . The function  $\tau$  is defined as follows: For every play prefix  $\rho$  we have  $\tau(\rho) = \tau_i(\text{LocalHistory}(\rho))$ , where  $\text{LocalHistory}(\rho) \in A_i$ . The function  $\tau_i$  is the *local strategy* of module  $A_i$ . Intuitively, a modular strategy only depends on the local history, and not on the context of invocation of the module. A modular strategy  $\tau = \{\tau_i\}_{i=1}^n$  is a *finite-memory* modular strategy if  $\tau_i$  is a finite-memory strategy for every  $i \in \{1, \dots, n\}$ . A *memoryless* modular strategy is defined in similar way, where every component local strategy is memoryless.

**Mean-payoff objectives and winning modular strategies.** The weight of a finite path  $\pi$ , denoted by  $w(\pi)$  is the sum of all the weights along the path. For an infinite path  $\pi$  (as in the previous sections) we denote  $\text{LimInfAvg}(\pi) = \liminf_{n \rightarrow \infty} \frac{w(\pi[1, n])}{n}$  (resp.  $\text{LimSupAvg}(\pi) = \limsup_{n \rightarrow \infty} \frac{w(\pi[1, n])}{n}$ ), where  $\pi[1, n]$  is the initial prefix of length  $n$ . The *modular winning strategy problem* asks if player 1 has a modular strategy  $\tau$  such that for every play  $\rho$  consistent with  $\tau$  we have  $\text{LimInfAvg}(\rho) \geq 0$  (note that the counter strategy of player 2 is a general strategy), and similarly for other mean-payoff objectives.

**Overview of the solution.** We first show that player 1 has a modular winning strategy that is *cycle free*, namely, it does not depend on the simple cycles that occur in the history of the play. We then show that a cycle-free strategy can be *simulated* by a memoryless strategy and by the results of Section 2 we get that mean-payoff modular games are in NP (as we have a polynomial-time verifier for a player-1 winning strategy, namely, a verifier for a memoryless winning strategy). The NP-hardness is obtained via a reduction from the 3-SAT problem.

**Basic properties.** We now present some basic properties of recursive game graphs.

*Non-decreasing cycles and proper cycles.* A *non-decreasing cycle* in a recursive game graph  $\mathcal{A} = \langle A_1, \dots, A_n \rangle$  is a path segment from a module  $A_i$  and vertex  $v_i \in A_i$  to the same module and the same vertex (possibly at different stack level), such that the first occurrence of module  $A_i$  in the path segment does not return (i.e., does not reach an exit node) during the path segment. A non-decreasing cycle  $C$  is a *proper cycle* if the stack heights at the beginning and the end of the path segment are the same.

**Lemma 20** *Consider a one-player WRG  $\mathcal{A} = \langle A_1, \dots, A_n \rangle$  (i.e., consists of only one-player). The following assertions hold:*

- The WRG  $\mathcal{A}$  has a path  $\pi$  with  $\text{LimInfAvg}(\pi) > 0$  (resp.  $\text{LimSupAvg}(\pi) > 0$ ) iff there exists a positive non-decreasing cycle.
- The WRG  $\mathcal{A}$  has a path  $\pi$  with  $\text{LimInfAvg}(\pi) < 0$  (resp.  $\text{LimSupAvg}(\pi) < 0$ ) iff there exists a negative non-decreasing cycle.

*Proof.* The first item follows from (i) the isomorphism of one-player WRGs and weighted pushdown systems (WPSs), (ii) the correspondence of positive non-decreasing cycles and good cycles for WPSs, and (iii) the results established in Section 2 showing the equivalence of the existence of a path  $\pi$  with  $\text{LimInfAvg}(\pi) > 0$  (resp.  $\text{LimSupAvg}(\pi) > 0$ ) and the existence of good cycles in a WPS. The second item follows from the duality of  $\text{LimInfAvg}(\pi) > 0$  and  $\text{LimSupAvg}(\pi) < 0$ .  $\square$

*WRG given finite-memory strategies.* Given a WRG  $\mathcal{A}$ , let  $\tau = \{\tau_i\}_{i=1}^n$  be a finite-memory modular strategy. Let  $M_i$  be the set of memory states of strategy  $\tau_i$ , i.e.,  $\tau_i$  is described as a deterministic transducer with state space  $M_i$ . The *one-player WRG (player-2 WRG)* given  $\tau$  is the tuple  $\mathcal{A}^\tau = \langle A_1^{\tau_1} = A_1 \times M_1, \dots, A_n^{\tau_n} = A_n \times M_n \rangle$ , where each  $A_i^{\tau_i} = A_i \times M_i$  is obtained as the synchronous

product of  $A_i$  and the deterministic transducer describing the local strategy  $\tau_i$ . Formally, in the product, if the second component is a state  $x_i \in M_i$ , then the transition for the second component is as defined by the transition function of the deterministic transducer over  $x_i$ , and in the first component transition we only retain the transition prescribed by  $x_i$ . The weights of the transitions are specified according to the weight function of  $\mathcal{A}$ . Note that if  $\tau$  is a memoryless modular strategy, then  $\mathcal{A}^\tau$  is a sub-game graph of  $\mathcal{A}$ .

**Lemma 21** *Given a WRG  $\mathcal{A}$  and a modular strategy  $\tau$ , every (finite or infinite) path in the one-player WRG  $\mathcal{A}^\tau$  is a (finite or infinite) play in  $\mathcal{A}$  consistent with  $\tau$ , and vice versa.*

#### 4.1 Decidability of the modular winning strategy problem

In this section we will establish the decidability of the existence of a modular winning strategy problem. In the following section we will establish the NP upper bound, and finally show NP-hardness. We start with the objective  $\text{LimInfAvg} \geq 0$ , and then show the result for the objective  $\text{LimSupAvg} \geq 0$ . The results for mean-payoff objectives with strict inequality will also easily follow from our results.

*Remark 4.* We note that the reduction we presented in Section 3 from the non-universality problem of WFA to two-player mean-payoff pushdown games does not hold when we restrict player 1 to modular strategies. Indeed, a modular strategy cannot fill the stack with an arbitrary long stack alphabet string without eventually visiting the same module twice (and then it must be the case that the operations are repeated forever). Hence, player 1 cannot fill the stack with an arbitrary word to witness the non-universality of the WFA.

**Objective  $\text{LimInfAvg} \geq 0$ .** For the decidability result, we will show the existence of *cycle independent* modular winning strategies, and the result will also be useful to establish the complexity results. Informal description of the solution. We show that there is a winning strategy that is oblivious to cycles that are formed in the play. Informally, this is true since there must exist a winning strategy in which all the cycles that are formed during the play has non-negative weight. Intuitively, if a strategy cannot prevent a negative weight cycle to occur even once, then it cannot prevent it from occurring infinitely often, and thus it cannot prevent a play with negative mean-payoff. Since the strategy may assume that all formed cycles have positive weight, it may ignore any formed cycle, as it should be able to win even in the scenario where this cycle never occurred, and the fact that it did occur only increase the total weighted sum of the play. We formalize this intuition in the next lemmas: In Lemma 22 we show how to construct a cycle-free strategy from any arbitrary (not necessarily modular) winning strategy. In Lemmas 23 and 24 we show that if the original strategy is winning for the lim-inf objective, then the formed cycle-free strategy is winning for the lim-sup objective. In Lemmas 25 and 26 we show that if the original strategy is a modular one, then the formed strategy is also a modular winning strategy for the lim-inf objective, and thus a modular winning strategy exists if and only if there exists a cycle-free modular winning strategy.

We start with the notion of a cycle free path in a graph.

**Cycle free path.** Let  $G = (V, E)$  be a simple (no parallel edges) directed graph. We define the operator  $\text{CycleFree} : V^* \rightarrow V^*$  in the following way: let  $\pi = \langle v_1, v_2, \dots, v_n \rangle$  be a finite path in  $G$ .

- $\text{CycleFree}(\pi) = \pi$  if  $\pi$  is a simple path (i.e., with no cycles).
- Otherwise we define  $\text{CycleFree}$  inductively as follows. Let  $\text{CycleFree}(v_1 \dots v_{n-1}) = u_1 u_2 \dots u_m$ . Let  $i$  be the first index such that  $v_n = u_i$ . If such an index does not exist, then  $\text{CycleFree}(\pi) = u_1 u_2 \dots u_m v_n$ . Otherwise  $\text{CycleFree}(\pi) = u_1 u_2 \dots u_i$ . Intuitively, the  $\text{CycleFree}$  operator takes a finite path and returns a simple path by removing the simple cycles according to the order of appearance.

**Cycle independent modular strategy.** Given a recursive game graph, a local strategy  $\tau_i$  for module  $A_i$  is a *cycle independent local strategy*, if for every  $\rho \in V_i^*$  we have  $\tau_i(\rho) = \tau_i(\text{CycleFree}(\rho))$ . A modular strategy  $\tau = \{\tau_i\}_{i=1}^n$  is a *cycle independent modular strategy* if  $\tau_i$  is a cycle independent local strategy for every  $i \in \{1, \dots, n\}$ .

**Observation 1** *For a recursive game graph  $\mathcal{A} = \langle A_1, \dots, A_n \rangle$ , there exist at most  $|V|^{|V|}$  different cycle independent modular strategies, where  $|V|$  is the number of vertices in  $\mathcal{A}$ .*



The main result of this section is that if there is a modular winning strategy, then there is a cycle independent modular winning strategy. To establish the result we introduce the notion of *manipulated paths*, using *rewind*, *fast forward*, and *simulation* operations.

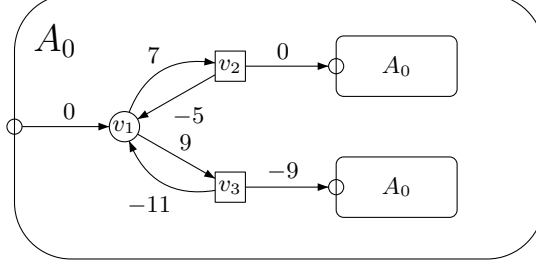
**Manipulated paths, rewind, fast forward, and simulation operations.** Let  $\tau = \{\tau_i\}_{i=1}^n$  be a modular winning strategy for the objective  $\text{LimInfAvg} \geq 0$ , and let  $\epsilon > 0$  be an arbitrary constant. Let  $\pi_m = \pi_{m-1} \cdot n_i$  be a play prefix at position  $m$ , that ends at node  $n_i \in A_i$ . The *manipulated play prefix* of  $\pi_m$  according to  $\tau$  and  $\epsilon$ , denoted by  $\text{Man}_\epsilon^\tau(\pi_m)$ , is defined inductively as follows: Let  $\text{Man}_\epsilon^\tau(\pi_{m-1})$  be the manipulated play prefix at position  $m-1$ . Then  $\text{Man}_\epsilon^\tau(\pi_m)$  is obtained from  $\text{Man}_\epsilon^\tau(\pi_{m-1})$  and  $n_i$  by one of the following operations.

1. *Rewind operation:* The condition for the rewind operation is that  $\text{CycleFree}(\text{Man}_\epsilon^\tau(\pi_{m-1})) \cdot n_i$  closes a proper cycle in the top module  $A_i$ . If the rewind condition holds, then  $\text{Man}_\epsilon^\tau(\pi_m)$  is formed from  $\text{Man}_\epsilon^\tau(\pi_{m-1}) \cdot n_i$  by removing the proper cycle suffix from  $\text{Man}_\epsilon^\tau(\pi_{m-1}) \cdot n_i$ . Intuitively the rewind operation *rewinds* the path by chopping off the cycle in the end (we note that the cycle may not be simple, but it is unique).
2. *Fast forward operation:* Let  $h_0 = \text{Man}_\epsilon^\tau(\pi_{m-1}) \cdot n_i$ . The fast forward condition for a history  $h$  that ends at node  $n_i$  is as follows: there exists a play prefix  $h \cdot \pi'(h)$  consistent with  $\tau$  such that  $n_i \cdot \pi'(h)$  is a proper cycle with average weight less than  $-\epsilon$ . In order to be precise, we define  $\pi'(h)$  as the first such prefix according to the lexicographic ordering of the prefixes. If the rewind condition does not hold, and the fast forward condition holds for  $h_0$ , then construct  $h_1 = h_0 \cdot \pi'(h_0)$ . Continue the process and build  $h_i = h_{i-1} \cdot \pi'(h_{i-1})$ , as long as  $h_{i-1}$  satisfies the fast forward condition. If there exists a minimal index  $i \in \mathbb{N}$  such that  $h_i$  does not satisfy the fast forward condition, then we define  $\text{Man}_\epsilon^\tau(\pi_m) = h_i$ . Otherwise,  $\text{Man}_\epsilon^\tau(\pi_m)$  is undefined (not well defined), and we say that the process is stuck in the fast forward operation.
3. *Simulation operation:* Else, if the rewind and the fast forward conditions do not hold, then we have  $\text{Man}_\epsilon^\tau(\pi_m) = \text{Man}_\epsilon^\tau(\pi_{m-1}) \cdot n_i$ .

**Intuitive overview of the  $\text{Man}_\epsilon^\tau$  operator.** The  $\text{Man}_\epsilon^\tau$  operator generates an *alternative history* for the play. The generated history does not contain cycles with average weight more than  $-\epsilon$  (due to the rewind operations) and if the strategy  $\tau$  allows a *possible future* in which the play returns to the same position and the formed cycle has an average weight less than  $-\epsilon$ , then this possible future is added to the history (fast forward operation). The alternative history has the following three key properties: (i) It is consistent with  $\tau$ , i.e., it could really have happened. (ii) If the average weight of the alternative history is at least  $-\epsilon$ , then the average weight of the actual history is also at least  $-\epsilon$ . Hence, if player 1 wins in the play that is induced by the alternative history, then he also wins in the real play. (iii) When player 1 applies  $\tau$  on the alternative history, all the cycles in the real history have average weight at least  $-\epsilon$ . Hence, player 1 does not need to *remember* the actual cycles in the history (because in the worst case scenario they will simply occur again, and their weights are good for him) and he can play independently of the formed cycles. The next example demonstrates a strategy according to manipulated history.

**Example 3** Consider the RSM shown in Figure 7, and consider a player-1 modular strategy  $\tau$  that follows the edge  $v_1 \rightarrow v_3$  if  $v_1$  is visited odd number of times (in the current invocation of  $A_0$ ) and otherwise it follows the edge  $v_1 \rightarrow v_2$ . In this strategy player 1 will play  $v_1 \rightarrow v_3$  in the first time  $v_1$  is visited,  $v_1 \rightarrow v_2$  in the second time,  $v_1 \rightarrow v_3$  in the third time, and so forth. With this strategy player 1 can ensure a mean-payoff value of at least 0. We now illustrate a play according to the manipulated history for  $\epsilon = \frac{1}{2}$ . The play begins by following  $En \rightarrow v_1$  and the  $\text{Man}_\epsilon^\tau$  operator performs a simulation step. So the current manipulated history is  $En \rightarrow v_1$ . According to  $\tau$ , the next move for player 1 is  $v_1 \rightarrow v_3$  and if player 2 will then select  $v_3 \rightarrow v_1$ , then a cycle with average weight  $-1 < -\epsilon$  will be formed. Hence, a fast-forward step is made and the manipulated history is now  $En \rightarrow v_1 \rightarrow v_3 \rightarrow v_1$  (the real history is  $En \rightarrow v_1$ ). According to the manipulated history,  $v_1$  has been visited twice, hence the next move for player 1 is  $v_1 \rightarrow v_2$ , and a corresponding simulation step is done for the manipulated history (which is currently  $En \rightarrow v_1 \rightarrow v_3 \rightarrow v_1 \rightarrow v_2$ ). We now consider that the next move for player 2 is  $v_2 \rightarrow v_1$ . Hence, the new manipulated history is  $En \rightarrow v_1 \rightarrow v_3 \rightarrow v_1 \rightarrow v_2 \rightarrow v_1$ , and since the suffix contains a cycle with average weight  $1 > -\epsilon$ , then a rewind operation is done and the manipulated history is (again)  $En \rightarrow v_1 \rightarrow v_3 \rightarrow v_1$ , and therefore the next move for player 1 is (again)  $v_1 \rightarrow v_2$ . We now consider that the next move for player 2 is to invoke the module  $A_0$ . This move is simulated in the manipulated history, and the play continues.

We observe that when playing according to the manipulated history the only real move that player 1 will ever do is  $v_1 \rightarrow v_2$ , and therefore the obtained strategy is cycle independent (although  $\tau$  is not), and it is easy to verify that this strategy ensures a mean-payoff value of at least  $-\epsilon$  (and in this example even a positive mean-payoff).



**Fig. 7.** RSM with only one module ( $A_0$ ) and no exit nodes. Player 1 controls the circle vertex and the rest of the vertices are controlled by player 2.

In the following lemma we establish consistency of the manipulated operation for a winning strategy and the fact that it is well-defined.

**Lemma 22** *Let  $\tau$  be a winning strategy (a general winning strategy, not necessarily modular) for the objective  $\text{LimInfAvg} \geq 0$ . Let  $\epsilon > 0$  be an arbitrary constant. We define a strategy  $\sigma$  in the following way: for a history  $\pi'$  we have  $\sigma(\pi') = \tau(\text{Man}_\epsilon^\tau(\pi'))$ . Let  $\pi_m$  be a play prefix of length  $m$  that is consistent with  $\sigma$ . Then the following assertions hold:*

- $\text{Man}_\epsilon^\tau(\pi_m)$  is well defined, i.e., the process does not get stuck in the fast forward operation.
- $\text{Man}_\epsilon^\tau(\pi_m)$  is consistent with  $\tau$ .

*Proof.* We prove both the items by induction on  $m$ . In the base case when  $m = 0$  (i.e., empty play prefix), all the claims are trivially satisfied. We now consider the inductive case with  $m > 0$ . Let  $\pi_m = \pi_{m-1} \cdot n_i$ , for some  $n_i \in A_i$ , be a play prefix consistent with  $\sigma$ . By the inductive hypothesis  $\text{Man}_\epsilon^\tau(\pi_{m-1})$  is well defined and consistent with  $\tau$ . Then  $\text{Man}_\epsilon^\tau(\pi_m)$  is computed by performing one of the following operations.

- *Rewind operation:* In this case clearly  $\text{Man}_\epsilon^\tau(\pi_m)$  is well defined. In addition  $\text{Man}_\epsilon^\tau(\pi_m)$  is a prefix of  $\text{Man}_\epsilon^\tau(\pi_{m-1})$ , which is by the inductive hypothesis consistent with  $\tau$ , hence also  $\text{Man}_\epsilon^\tau(\pi_m)$  is consistent with  $\tau$ .
- *Fast forward operation:* Towards contradiction, let us assume that the fast forward process enters an infinite loop. We consider the prefix  $h_0 = \bar{h}_0 \cdot n_i$ , where  $\bar{h}_0 = \text{Man}_\epsilon^\tau(\pi_{m-1})$ , and let  $\bar{v}_0$  be the last vertex in  $\bar{h}_0$ . The prefix  $h_0$  is consistent with  $\tau$  for the following reason:  $\text{Man}_\epsilon^\tau(\pi_{m-1})$  is consistent with  $\tau$  by the inductive hypothesis, and if  $\bar{v}_0$  is under player 1's control, then  $\tau(\text{Man}_\epsilon^\tau(\pi_{m-1})) = n_i$  (as  $\pi_m$  consistent with  $\sigma$ ), and otherwise  $\bar{v}_0$  is under player 2's control, and since there is a transition from  $\bar{v}_0$  to  $n_i$  (as  $\pi_m$  is a play prefix) the consistency of  $h_0$  follows. The prefix  $h_0$  has an infinite sequence of extensions  $\pi^1, \pi^2, \dots$  such that the infinite play  $h = h_0 \pi^1 \pi^2 \dots \pi^j \pi^{j+1} \dots$  is consistent with  $\tau$  and  $\text{Avg}(\pi^j) < -\epsilon$  for every  $j \in \mathbb{N}$  (by the infinite loop of the fast forward operation). Hence, by definition,  $\text{LimInfAvg}(h) \leq -\epsilon < 0$ .<sup>4</sup> Thus we get that there exists a play consistent with  $\tau$  that is not winning for the objective  $\text{LimInfAvg} \geq 0$ , which contradicts that  $\tau$  is a winning strategy. Hence, the fast forward process always terminates. It follows that  $\text{Man}_\epsilon^\tau(\pi_m)$  is well defined and also by definition of the fast forward operation it is consistent with  $\tau$ .
- *Simulation operation:* By definition,  $\text{Man}_\epsilon^\tau(\pi_m) = \text{Man}_\epsilon^\tau(\pi_{m-1}) \cdot n_i$ . Let  $\bar{h}_0 = \text{Man}_\epsilon^\tau(\pi_{m-1})$ , and let  $\bar{v}_0$  be the last vertex in  $\bar{h}_0$ . The prefix  $\text{Man}_\epsilon^\tau(\pi_m)$  is consistent with  $\tau$  for the following reason:  $\text{Man}_\epsilon^\tau(\pi_{m-1})$  is consistent with  $\tau$  by the inductive hypothesis, and if  $\bar{v}_0$  is under player 1's control, then  $\tau(\text{Man}_\epsilon^\tau(\pi_{m-1})) = n_i$ , and otherwise  $\bar{v}_0$  is under player 2's control, and there is a transition from  $\bar{v}_0$  to  $n_i$ . Thus we have the consistency of  $\text{Man}_\epsilon^\tau(\pi_m)$ , and the fact that it well-defined is trivial.

<sup>4</sup> only this inequality need not hold for  $\text{LimSupAvg}(h)$

Hence we have that  $\text{Man}_\epsilon^\tau(\pi_m)$  is both consistent with  $\tau$  and well defined.  $\square$

In the following lemma we obtain a bound on the average of the play prefixes obtained from the manipulated operation of a winning strategy.

**Lemma 23** *Let  $\tau$  be a winning strategy (a general winning strategy, not necessarily modular) for the objective  $\text{LimInfAvg} \geq 0$ . Let  $\epsilon > 0$  be an arbitrary constant. We define a strategy  $\sigma$  in the following way: for a history  $\pi'$  we have  $\sigma(\pi') = \tau(\text{Man}_\epsilon^\tau(\pi'))$ . Let  $\pi_m$  be a play prefix of length  $m$  that is consistent with  $\sigma$ . Then we have  $w(\pi_m) \geq w(\text{Man}_\epsilon^\tau(\pi_m)) - \epsilon \cdot |\pi_m|$ .*

*Proof.* The following claim is the key for the proof.

*Claim.* Every time a rewind operation is done, the cycle  $C$ , for which  $\text{Man}_\epsilon^\tau(\pi_m) \cdot C = \text{Man}_\epsilon^\tau(\pi_{m-1}) \cdot n_i$ , satisfies that  $\text{Avg}(C) \geq -\epsilon$ .

We first prove the claim. Towards a contradiction, assume that  $\text{Avg}(C) < -\epsilon$ . Let  $j < m$  be the first index for which  $\text{Man}_\epsilon^\tau(\pi_j) = \text{Man}_\epsilon^\tau(\pi_m)$ . Recall that by definition a rewind operation was done if  $\text{CycleFree}(\text{Man}_\epsilon^\tau(\pi_{m-1}) \cdot n_i)$  forms a proper cycle that begins and ends in the node  $n_i$ . Hence, the beginning of the proper cycle was not generated by a fast-forward operation (otherwise, it would have been omitted by the  $\text{CycleFree}$  operator). Thus, such an index  $j$  must exist. We first argue that  $\text{Man}_\epsilon^\tau(\pi_m) \cdot C = \text{Man}_\epsilon^\tau(\pi_{m-1}) \cdot n_i$  is consistent with  $\tau$ : (i)  $\text{Man}_\epsilon^\tau(\pi_{m-1})$  is consistent with  $\tau$  (by Lemma 22); and (ii) let  $\bar{h}_0 = \text{Man}_\epsilon^\tau(\pi_{m-1})$ , and let  $\bar{v}_0$  be the last vertex in  $\bar{h}_0$ ; if  $\bar{v}_0$  is under player 1's control, then  $\tau(\text{Man}_\epsilon^\tau(\pi_{m-1})) = n_i$ , and otherwise  $\bar{v}_0$  is under player 2's control, and there is a transition from  $\bar{v}_0$  to  $n_i$ . Thus we have the consistency of  $\text{Man}_\epsilon^\tau(\pi_m) \cdot C = \text{Man}_\epsilon^\tau(\pi_{m-1}) \cdot n_i$ , and it follows that  $\text{Man}_\epsilon^\tau(\pi_j) \cdot C$  is also consistent with  $\tau$ . Hence, since  $\text{Avg}(C) < -\epsilon$ , a fast forward operation had occurred in position  $j$  (note that it is not possible that  $\text{Man}_\epsilon^\tau(\pi_j)$  was obtained after a rewind operation, since  $j$  is the first index for which  $\text{Man}_\epsilon^\tau(\pi_j) = \text{Man}_\epsilon^\tau(\pi_m)$ ). So by definition, a fast forward operation and not a simulation operation must occur. Hence it is not possible that  $\text{Man}_\epsilon^\tau(\pi_j) = \text{Man}_\epsilon^\tau(\pi_m)$ , since at the very least,  $\text{Man}_\epsilon^\tau(\pi_m) \cdot C$  is a prefix of  $\text{Man}_\epsilon^\tau(\pi_j)$ . Thus, for every  $j < m$  we have  $\text{Man}_\epsilon^\tau(\pi_j) \neq \text{Man}_\epsilon^\tau(\pi_m)$ , and the contradiction (to the existence of  $j$ ) is obtained.

We now complete the proof of the lemma using the claim. We note that the difference between  $\pi_m$  and  $\text{Man}_\epsilon^\tau(\pi_m)$  contains only (i) cycles with negative weight that were added to  $\text{Man}_\epsilon^\tau(\pi_m)$  (by fast forward operation) or (ii) cycles with average weight at most  $-\epsilon$  and length at most  $|\pi_m|$  that were chopped from  $\text{Man}_\epsilon^\tau(\pi_m)$  (by rewind operation). The desired result follows.  $\square$

We now show that from a winning strategy for the objective  $\text{LimInfAvg} \geq 0$ , the strategy obtained using manipulated operation is winning for the objective  $\text{LimSupAvg} \geq -2 \cdot \epsilon$ .

**Lemma 24** *Let  $\tau$  be a winning strategy (a general winning strategy, not necessarily modular) for the objective  $\text{LimInfAvg} \geq 0$ . Let  $\epsilon > 0$  be an arbitrary constant. We define a strategy  $\sigma$  in the following way: for a history  $\pi'$  we have  $\sigma(\pi') = \tau(\text{Man}_\epsilon^\tau(\pi'))$ . Then  $\sigma$  is a winning strategy for the objective  $\text{LimSupAvg} \geq -2 \cdot \epsilon$ .*

*Proof.* Let  $\pi$  be a play consistent with  $\sigma$ , and let  $\pi_m$  be the play prefix until position  $m$ . We consider two cases to complete the proof.

1. In the first case, there exists a constant  $n_0 \in \mathbb{N}$  such that for infinitely many indices  $m_1, m_2, \dots$ , we have  $|\text{Man}_\epsilon^\tau(\pi_{m_i})| \leq n_0$ . In this case, due to Lemma 23, in positions  $m_1, m_2, \dots$  we get that  $w(\pi_{m_i}) \geq -n_0 \cdot W - \epsilon \cdot |\pi_{m_i}|$ . Hence, by definition,  $\text{LimSupAvg}(\pi) \geq -\epsilon > -2 \cdot \epsilon$ .
2. In the second case, for every  $i > 0$  there exists  $\ell_i \in \mathbb{N}$ , such that for every  $m > \ell_i$  we have  $|\text{Man}_\epsilon^\tau(\pi_m)| \geq i$ . By the definition of the manipulation operations, we get that  $\text{Man}_\epsilon^\tau(\pi_{\ell_i})[0, i] = \text{Man}_\epsilon^\tau(\pi_{\ell_i+1})[0, i]$ , i.e., the prefix up to length  $i$  coincides. Denote  $\rho_i = \text{Man}_\epsilon^\tau(\pi_{\ell_i})[i]$  the  $i$ -th position of  $\text{Man}_\epsilon^\tau(\pi_{\ell_i})$ . Due to Lemma 22 the infinite play  $\rho = \rho_1 \rho_2 \dots$  is consistent with  $\tau$ . Since  $\tau$  is a winning strategy we get that  $\text{LimInfAvg}(\rho) \geq 0$ . Hence there exists infinitely many indices  $m_1, m_2, \dots$  for which  $\text{Avg}(\text{Man}_\epsilon^\tau(\pi_{m_i})) \geq -\epsilon$ , and therefore, due to Lemma 23, we get that  $\text{Avg}(\pi_{m_i}) \geq -2 \cdot \epsilon$ . Hence by definition of  $\text{LimSupAvg}$ , we obtain  $\text{LimSupAvg}(\pi) \geq -2 \cdot \epsilon$ .

This concludes the proof of the lemma.  $\square$

**Lemma 25** *Given a WRG  $\mathcal{A}$ , let  $\tau$  be a modular winning strategy for the objective  $\text{LimInfAvg} \geq 0$ . Let  $\epsilon > 0$  be an arbitrary constant. We define a strategy  $\sigma$  in the following way: for a history  $\pi'$  we have  $\sigma(\pi') = \tau(\text{Man}_\epsilon^\tau(\pi'))$ . Then  $\sigma$  is a cycle independent modular strategy.*

*Proof.* In order to verify that  $\sigma$  is a modular strategy, we observe that  $\text{LocalHistory}(\text{Man}_\epsilon^\tau(\pi))$  only depends on  $\text{LocalHistory}(\pi)$  and that  $\tau$  is a modular strategy.

To verify that  $\sigma$  is a cycle independent strategy, we observe that if  $\pi$  and  $\pi \cdot \pi_c$  are consistent with  $\sigma$  and  $\pi_c$  is a cycle in  $\text{CycleFree}(\pi) \cdot \pi_c$ , then  $\text{Man}_\epsilon^\tau(\pi \cdot \pi_c) = \text{Man}_\epsilon^\tau(\pi)$  as  $\pi_c$  will be chopped by the rewind operation.  $\square$

**Lemma 26** *Given a WRG  $\mathcal{A}$ , if there exists a modular winning strategy for the objective  $\text{LimInfAvg} \geq 0$  for player 1, then there exists a cycle independent modular winning strategy for the objective for player 1.*

*Proof.* Let  $\tau$  be a modular winning strategy for the objective  $\text{LimInfAvg} \geq 0$ . For every  $\epsilon > 0$ , define the strategy  $\sigma_\epsilon$  in the following way: for a history  $\pi'$  we have  $\sigma_\epsilon(\pi') = \tau(\text{Man}_\epsilon^\tau(\pi'))$ . By Lemma 24 and Lemma 25, for every  $\epsilon > 0$  we have that  $\sigma_\epsilon$  is a cycle independent modular winning strategy for the objective  $\text{LimSupAvg} > -2 \cdot \epsilon$ . There are only a bounded number of cycle independent modular strategies (by Observation 1), thus there is an optimal cycle independent modular strategy, and it must be the case that it is a winning strategy for the  $\text{LimSupAvg} \geq 0$  objective (otherwise it does not win for the objective  $\text{LimSupAvg} > -\epsilon$  for some  $\epsilon > 0$ ). Let  $\sigma$  be that strategy. Let  $\mathcal{A}^\sigma$  be the player-2 WRG obtained given the strategy  $\sigma$ . As  $\sigma$  is a winning strategy for the objective  $\text{LimSupAvg} \geq 0$ , then due to Lemma 21 and Lemma 20, the graph  $\mathcal{A}^\sigma$  does not have a negative non-decreasing cycle. Hence due to Lemma 21 and Lemma 20, the strategy  $\sigma$  is winning also for the objective  $\text{LimInfAvg} \geq 0$ . This completes the proof of the result.  $\square$

The next theorem is an immediate consequence of Lemma 26.

**Theorem 7** *Given a WRG  $\mathcal{A}$ , the problem of deciding if player 1 has a modular winning strategy for the objective  $\text{LimInfAvg} \geq 0$  is decidable.*

*Proof.* By Lemma 26 it is enough to check if player 1 has a cycle independent modular strategy. As the number of such strategies is bounded (by Observation 1), it is enough to construct the graph  $\mathcal{A}^\tau$  for every cycle independent modular strategy  $\tau$  and check if in  $\mathcal{A}^\tau$  there exists a path  $\pi$  with  $\text{LimInfAvg}(\pi) < 0$  (this check is achieved using the algorithms of Section 2).  $\square$

**Objective  $\text{LimSupAvg} \geq 0$ .** The proof of Lemma 26 shows the following: if player 1 has a modular winning strategy for  $\text{LimInfAvg} \geq 0$  objective, then he has a cycle independent modular winning strategy for the  $\text{LimSupAvg} \geq 0$  objective, which is also a cycle independent modular winning strategy for the  $\text{LimInfAvg} \geq 0$  objective. However, it does not imply that an arbitrary modular winning strategy for the  $\text{LimSupAvg} \geq 0$  objective can be transformed into a winning strategy for the  $\text{LimInfAvg} \geq 0$  objective, or that it can be transformed into a cycle independent modular strategy. The key ingredient that is missing is that it does not establish that if there is a modular winning strategy for  $\text{LimSupAvg} \geq 0$  objective, then there is a cycle independent modular winning strategy for  $\text{LimSupAvg} \geq 0$  objective. We establish this fact now. The proof for the objective  $\text{LimSupAvg} \geq 0$  will reuse many parts of the proof for the objective  $\text{LimInfAvg} \geq 0$ , however, some parts of the proof are different and we present them below. In fact we show that for modular winning strategies the objective  $\text{LimSupAvg} \geq 0$  coincides with the objective  $\text{LimInfAvg} \geq 0$ . For the proof we need the notion of non-negative cycle free local history, which we define below.

**Non-negative cycle free local history operator.** Consider a WRG  $\mathcal{A}$  and let  $\tau$  be a modular strategy, and  $\pi$  be a path in  $\mathcal{A}$ , consistent with  $\tau$ , that begins at the entry of module  $A_i$  and ends at module  $A_i$  (in the same stack height). The *non-negative cycle free local history operator* is defined as follows:

1. For  $|\text{LocalHistory}(\pi)| = 1$  we have  $\text{NonNegCFLocalHistory}^\tau(\pi) = \text{LocalHistory}(\pi)$ .
2. For  $|\text{LocalHistory}(\pi)| > 1$ , let  $\pi = \pi_0 v_i$  such that  $\text{NonNegCFLocalHistory}^\tau(\pi_0) = u_0 u_1 \dots u_m$ . Let  $j \in \{0, \dots, m\}$  be the first index such that  $u_j = v_i$ , and every sub-play  $\pi^*$  consistent with  $\tau$  with local history  $u_j u_{j+1} \dots u_m v_i$  is a cycle with non-negative total weight. If such index  $j$  exists, then  $\text{NonNegCFLocalHistory}^\tau(\pi) = u_0 \dots u_j$ , otherwise  $\text{NonNegCFLocalHistory}^\tau(\pi) = u_0 u_1 \dots u_m v_i$ .

Informally, the  $\text{NonNegCFLocalHistory}^\tau$  operator removes cycles that are ensured to have non-negative total weight from the local history.

**Non-negative cycle independent modular strategy.** Given a modular strategy  $\tau$ , the non-negative cycle independent modular strategy  $\sigma$  of  $\tau$ , is defined as follows: For a local history  $\rho$  we have  $\sigma(\rho) = \tau(\text{NonNegCFLocalHistory}^\tau(\rho))$ . We now present some notations required for the proofs.

*Sure non-negative cycle and proper simple cycle.* Given a modular strategy  $\tau$ , a path  $\pi = v_0v_1 \dots v_m$  is a *sure non-negative cycle* if  $\pi$  is a proper cycle consistent with  $\tau$ , and every path  $\pi'$  consistent with  $\tau$  such that  $\text{LocalHistory}(\pi) = \text{LocalHistory}(\pi')$  is a proper cycle with non-negative weight. A path  $\pi$  is a *proper simple cycle* if  $\pi$  is a proper cycle, and  $\text{LocalHistory}(\pi)$  is a simple cycle.

**Lemma 27** *If  $\tau$  is a modular winning strategy for the objective  $\text{LimSupAvg} \geq 0$ , then the non-negative cycle independent modular strategy  $\sigma$  of  $\tau$  is also a winning strategy for the objective  $\text{LimSupAvg} \geq 0$ .*

*Proof.* The proof is essentially similar to the proof of the result for the objective  $\text{LimInfAvg} \geq 0$ , and we present a succinct argument (as it is very similar to the previous proofs for  $\text{LimInfAvg} \geq 0$ ). As previously, we define the manipulated operations on histories such that every sure non-negative cycle is chopped (by the rewind operation) from the history. By definition, the non-negative cycle independent strategy  $\sigma$  of  $\tau$  makes choices according to the choices of  $\tau$  on the manipulated history. The weight of the manipulated history, in every position, is at most the weight of the original history, since only non-negative cycles are chopped. By similar arguments to those presented in Lemma 24, we get that the  $\text{LimSupAvg}$  of the original history is at most 0, and thus the non-negative cycle independent strategy  $\sigma$  of  $\tau$  is a winning strategy.  $\square$

In the following lemmas we establish that for modular strategies the objectives  $\text{LimSupAvg} \geq 0$  and  $\text{LimInfAvg} \geq 0$  coincide.

**Lemma 28** *Given a WRG  $\mathcal{A}$ , let  $\sigma$  be a non-negative cycle independent modular strategy. Let  $A_i$  be a module in  $\mathcal{A}$ . Then there exist  $n_\sigma \in \mathbb{N}$  and  $\delta_\sigma > 0$ , such that for every possible non-negative cycle free local histories  $h_0$  and  $h_1$  of the module  $A_i$ , and for every sub-play  $\rho$ , consistent with  $\sigma$  such that*

- $\rho$  is a proper cycle with negative weight; and
- the non-negative cycle free local history of  $A_i$  before (resp. after)  $\rho$  was played is  $h_0$  (resp.  $h_1$ );

*there exists a sub-play  $\rho_{h_0, h_1}$ , consistent with  $\sigma$  and that satisfies the items above, such that every play prefix of  $\rho_{h_0, h_1}$  with length at least  $n_\sigma$  has an average weight of at most  $-\delta_\sigma$ .*

*Proof.* Let  $(b_1, n_1), \dots, (b_m, n_m)$  be the pairs of all boxes and their return nodes that appear in module  $A_i$ . For every pair  $(b_j, n_j)$ , let  $\pi_{b_j, n_j}$  be one of the shortest plays, consistent with  $\sigma$ , with minimal weight from  $b_j$  to  $n_j$ . If such a path exists we denote  $w_{(b_j, n_j)} = w(\pi_{b_j, n_j})$ . Let  $X$  be the maximal such weight. W.l.o.g all the weights of the edges that occur in  $A_i$  are at most  $X$ , and  $X \geq 0$ .

For every  $b_j, n_j$  such that there exists a play from  $b_j$  to  $n_j$  consistent with  $\sigma$ , but a minimal-weight play does not exist, we denote by  $\pi_{b_j, n_j}$  one of the shortest plays consistent with  $\sigma$  that leads from  $b_j$  to  $n_j$  with weight at most  $-20 \cdot |V_i| \cdot X$ , (where  $|V_i|$  is the size of the vertex set in  $A_i$ ). Let  $\Pi$  be one of the longest plays among all  $\pi_{b_j, n_j}$ . Let  $\rho$  be a sub-play consistent with  $\sigma$  such that  $\rho$  is a proper cycle in module  $A_i$  with negative weight. Let  $h_0$  (resp.  $h_1$ ) be the non-negative cycle free history of  $A_i$  before (resp. after) playing  $\rho$ .

First, we form  $\rho'$  from  $\rho$  by removing all the sure non-negative cycles from  $\rho$ . Clearly, (i) the sum of weights of  $\rho'$  is negative; and (ii)  $\rho'$  is consistent with  $\sigma$ , because  $\rho$  is consistent with  $\sigma$  and  $\sigma$  is a non-negative cycle independent strategy. Moreover, the non-negative cycle free local history after playing  $\rho'$  is the same as after playing  $\rho$ . Next we form  $\rho''$  from  $\rho'$  by replacing every sub-play from  $b_j$  to  $n_j$  (such that  $n_j$  is the first time the sub-play enters  $A_i$ ) in  $\rho'$  with  $\pi_{b_j, n_j}$ . Again,  $\rho''$  is consistent with  $\sigma$ , since  $\sigma$  is a modular strategy. In addition, the local history of  $A_i$  was not changed at all.

We claim that  $\rho''$  does not contain simple proper non-negative cycles in module  $A_i$ . Indeed, towards a contradiction let  $v_1v_2 \dots v_m$  be the local history of the first such cycle (note that  $m \leq |V_i|$ ). Note that if the cycle contains a sub-play  $\pi_{b_j, n_j}$  such that  $w_{(b_j, n_j)} = -20 \cdot |V_i| \cdot X$ , then the sum of the weights of the cycle cannot be non-negative. Hence it follows that this cycle is the cycle with minimal weight among all simple cycles with local history  $v_1v_2 \dots v_m$ . Hence this cycle is sure non-negative, which contradicts the fact that  $v_1v_2 \dots v_m$  is a local history of sub-play of  $\rho''$ . Thus for every simple proper cycle in  $\rho''$  the sum of the weights of the cycle is negative. Moreover, the length of every simple proper cycle in  $\rho''$  is at most  $|V_i| \cdot |\Pi|$ . Hence every sub-play of  $\rho''$  with length at least  $n_\sigma = (|V_i| \cdot |\Pi| \cdot X)^2$  will have an average weight of at most  $-\delta_\sigma = -\frac{1}{|V_i| \cdot |\Pi| \cdot X}$ . Note that  $n_\sigma$  and  $\delta_\sigma$  do not depend on  $\rho$ , and hence the desired result follows.  $\square$

**Lemma 29** *Let  $\sigma$  be a non-negative cycle independent modular strategy. If there exists a play  $\rho$  consistent with  $\sigma$  such that the suffix of  $\rho$  is an infinite sequence of proper cycles  $C_1, C_2, \dots$  with negative weights, then  $\sigma$  is not a winning strategy for the objective  $\text{LimSupAvg} \geq 0$ .*

*Proof.* Let  $\rho = \rho_0 C_1 C_2 \dots C_i \dots$ , and let  $A_i$  and  $n_i$  be the module and the vertex, respectively, that all the cycles begin and end in. Let  $n_\sigma, \delta_\sigma$  be the constants from Lemma 28. Let  $h_0^i$  be the non-negative cycle free local history of  $A_i$  before cycle  $C_i$  is played, and  $h_1^i$  be the non-negative cycle free local history of  $A_i$  after cycle  $C_i$  is played. By Lemma 28, for every cycle  $C_i$  there exists a cycle  $C_{h_0^i, h_1^i}$  consistent with  $\sigma$ , with negative weight, and the average weight of every sub-play of  $C_{h_0^i, h_1^i}$  longer than  $n_\sigma$  is at most  $-\delta_\sigma$ . The play  $\rho' = \rho_0 C_1 C_2 \dots C_{i-1} C_{h_0^i, h_1^i} C_{i+1} \dots$  is consistent with  $\sigma$ , since  $C_{h_0^i, h_1^i}$  is consistent with the initial non-negative cycle free local history  $h_0^i$ , and the non-negative cycle free local history after playing  $C_{h_0^i, h_1^i}$  is  $h_1^i$ . Since  $\sigma$  is a non-negative cycle independent strategy, the play  $\rho^* = \rho_0 C_{h_0^0, h_1^0} C_{h_0^1, h_1^1} \dots C_{h_0^i, h_1^i} \dots$  is consistent with  $\sigma$ . On the other hand, it is straightforward to verify that we have  $\text{LimSupAvg}(\rho^*) \leq \max\{-\frac{1}{n_\sigma}, -\delta_\sigma\} < 0$ . Hence  $\sigma$  is not a winning strategy for the objective  $\text{LimSupAvg} \geq 0$ , and the desired result follows.  $\square$

**Lemma 30** *If player 1 has a modular winning strategy for the objective  $\text{LimSupAvg} \geq 0$ , then for every  $\epsilon > 0$ , player 1 has a cycle independent modular winning strategy  $\sigma$  for the objective  $\text{LimSupAvg} \geq -\epsilon$ .*

*Proof.* Let  $\tau^*$  be a modular winning strategy for the objective  $\text{LimSupAvg} \geq 0$ , and let  $\tau$  be the non-negative cycle independent strategy of  $\tau^*$ . For  $\epsilon > 0$ , consider the cycle independent modular strategy  $\sigma$  such that for histories  $\pi$  we have  $\sigma(\pi) = \tau(\text{Man}_\epsilon^\tau(\pi))$ . By Lemma 28 the strategy  $\tau$  is also a winning strategy. We note that all the arguments for the objective  $\text{LimInfAvg} \geq 0$  also hold for the objective  $\text{LimSupAvg} \geq 0$ , other than the inequality (mentioned as footnote) in Lemma 22. We replace the inequality (mentioned as footnote) of Lemma 22 with Lemma 29, and repeat exactly the same arguments for the objective  $\text{LimInfAvg} \geq 0$  (up to Lemma 26) to obtain the desired result.  $\square$

We obtain the following result as a corollary, and all the desired results follow for the objective  $\text{LimSupAvg} \geq 0$ .

**Corollary 3** *Given a WRG  $\mathcal{A}$ , there exists a modular winning strategy for the objective  $\text{LimSupAvg} \geq 0$  iff there exists a modular winning strategy for the objective  $\text{LimInfAvg} \geq 0$ .*

*Comment on  $\text{LimSupAvg}$  and  $\text{LimInfAvg}$  coincide.* We have showed in Example 2 that in pushdown games with arbitrary strategies  $\text{LimSupAvg}$  and  $\text{LimInfAvg}$  do not coincide, whereas in contrast in Corollary 3 we show that they coincide for modular strategies. The key reason that they do not coincide for arbitrary strategies is due to infinite-memory strategies, which makes it possible to construct paths (that are not ultimately periodic) where  $\text{LimSupAvg}$  and  $\text{LimInfAvg}$  do not coincide. Our results for WPS (weighted pushdown systems, or only one-player pushdown games) show that if there is only one-player (the opponent) then  $\text{LimSupAvg}$  and  $\text{LimInfAvg}$  coincide, even though infinite-memory strategies can be used. Our results for modular strategies establish that even if the opponent is allowed infinite-memory strategies, memoryless modular winning strategies exist. Since once a memoryless modular winning strategy is fixed, we obtain a WPS where  $\text{LimInfAvg}$  and  $\text{LimSupAvg}$  coincides, we obtain the result of Corollary 3.

## 4.2 Modular winning strategy problem in NP

In this section we will show that the modular winning strategy problem is in NP. **Informal description of the solution.** Our solution relies on the notion of *strategy signature*. The signature of a strategy is defined for every couple of nodes (in the same module) and stands for the weight of the worst-case path (w.r.t all possible histories) that exists between the two nodes, which is consistent with the strategy. The intuition is that if two strategies has the same signature, then they obtain the same mean-payoff value. This intuition need not hold in the general case, but we prove that it does hold if one strategy is modular and cycle-independent and the second strategy is memoryless. Finally, the NP solution is to guess a signature and a memoryless strategy that realizes the signature, and to verify (in polynomial time) that the memoryless strategy is winning. We formalize the intuition with the next lemmas: In Lemma 31 we show how to verify that a signature can be realized, and in Lemma 32 we show that a realizable signatures can be realized by memoryless strategies. In Lemma 33

we show that a cycle-independent modular winning strategy has a signature of polynomial size (and thus, we can guess one), and in Lemmas 34-35 we prove that a memoryless strategy that has the same signature as a cycle-independent modular winning strategy is also a winning strategy.

**The signature game.** Let  $G = ((V, E), (V_1, V_2))$  be a finite two-player game graph (on finite directed graph  $(V, E)$ ) with vertex set  $V$ , edge set  $E$ , and partition  $(V_1, V_2)$  of the vertex set into player-1 (resp. player-2) vertex set  $V_1$  (resp.  $V_2$ ). Let the game graph be equipped with a weight function  $w : E \rightarrow \mathbb{Z} \cup \{-\omega\}$ . Let the initial vertex be  $v_0 \in V$ . Let  $\nu = (\nu_0, \dots, \nu_{|V|-1})$  be a threshold vector such that all  $\nu_i \in \mathbb{Z} \cup \{+\infty, -\omega\}$  (equivalently,  $\nu$  is a mapping from  $V$  to  $\mathbb{Z} \cup \{+\infty, -\omega\}$  with  $\nu(v_i) = \nu_i$ ). The weight of a finite path in  $G$  is the sum of the edge weights of the path, according to the following convention:  $-\omega + z = -\omega$ , for any  $z \in \mathbb{Z} \cup \{-\omega\}$ . A *signature game* is defined with respect to the mapping vector  $\nu$  and consists of a tuple  $(G, \nu)$ , where  $G$  is a two-player game graph, and  $\nu$  is the threshold vector. For a play  $\rho = \rho_0 \rho_1 \rho_2 \dots \rho_j \rho_{j+1} \dots$ , player 1 is the winner if both the following two conditions hold:

- The play  $\rho$  does not contain a negative cycle, or a cycle that has an edge with weight  $-\omega$ .
- For every  $j \in \mathbb{N}$ ,  $w(\rho_0 \rho_1 \rho_2 \dots \rho_j) \geq \nu(\rho_j)$ , according to the convention (i)  $-\omega < z$  for every  $z \in \mathbb{Z}$ , and (ii)  $z, -\omega < +\infty$  for every  $z \in \mathbb{Z}$ . In other words, the sum of the weights up to any index  $j$  must be at least  $\nu(\rho_j)$ , and no  $-\omega$ -edge must be visited unless  $\nu(\rho_j) = -\omega$ .

We will consider signature games such that if  $\nu_i \in \mathbb{Z}$ , then  $\nu_i \geq -2 \cdot W \cdot |V|$ , where  $W$  is the maximum absolute values of the integer weights in graph  $G$ . If for a vertex  $v$ , the threshold value is  $+\infty$ , then to ensure winning player 1 must ensure that  $v$  is never visited. In other words, vertices with  $+\infty$  threshold must be avoided (it can be interpreted as a safety objective with  $+\infty$  vertices as non-safe vertices to be avoided). Our first goal is to show that memoryless winning strategies exist in signature games, and the result will be obtained by a reduction to finite-state mean-payoff games. Given a signature game  $(G, \nu)$  we define an auxiliary finite-state mean-payoff game as follows.

**From signature game  $(G, \nu)$  to auxiliary mean-payoff game  $\overline{G}_\nu$ .** Given a signature game  $(G, \nu)$  we construct a finite-state auxiliary mean-payoff game  $\overline{G}_\nu = ((\overline{V}, \overline{E}), (\overline{V}_1, \overline{V}_2))$ , with a weight function  $\overline{w}$  as follows: let the signature game graph be  $G = ((V, E), (V_1, V_2))$  and the weight function in  $G$  be  $w_G$ . Then we have the following components in the auxiliary game:

- (*Vertex set and partition*).  $\overline{V} = V \times \{1, 2\}$ ; and  $\overline{V}_1 = V_1 \times \{1\}$ .
- (*Edges*).  $\overline{E} = \{((u, 1), (v, 2)) \mid (u, v) \in E\} \cup \{((v, 2), (v, 1)) \mid v \in V\} \cup \{((v_i, 2), (v_0, 1)) \mid v_i \in V, \nu_i \neq -\omega\}$ .
- (*Weight function*). If  $w_G(u, v) \neq -\omega$ , then  $\overline{w}((u, 1), (v, 2)) = w_G(u, v)$ ; otherwise (we have  $w_G(u, v) = -\omega$ ) we set  $\overline{w}((u, 1), (v, 2)) = -10 \cdot W \cdot |V|$ . Moreover,  $\overline{w}((v_i, 2), (v_0, 1)) = -\nu_i$  and all the other edges are assigned with zero weight. Note that if  $\nu_i = +\infty$ , then  $\overline{w}$  assigns weight  $-\infty$ , and to win player 1 must avoid such edges (can be interpreted as a safety condition).

Informally, the auxiliary mean-payoff game is constructed from the signature game by adding for every vertex  $v_i$  a fresh copy (vertex  $(v_i, 2)$  and the original vertex is represented as  $(v_i, 1)$ ), and an option for player 2 to return to the initial vertex  $(v_0, 1)$  “paying” cost  $-\nu_i$  (whenever  $\nu_i \neq -\omega$ ). Thus, if at any position of the play the current vertex is  $(v_i, 2)$ , and the sum of the weights since the last visit to  $(v_0, 1)$  is less than  $\nu_i$ , then player 2 can ensure that a negative cycle is completed. The mean-payoff objective of player 1 is to ensure non-negative average payoff. Also note that player 1 must avoid the  $-\infty$  edge weights, and equivalently it can be treated as a mean-payoff safety game. In the following lemma we establish the relation of the signature game and the auxiliary game.

**Lemma 31** *Let  $(G, \nu)$  be a signature game such that  $\nu_i \geq -2 \cdot W \cdot |V|$  for every  $\nu_i \in \mathbb{Z}$ , and let  $\overline{G}_\nu$  be the corresponding auxiliary mean-payoff game. Then the following statements are equivalent:*

1. *Player 1 is the winner in the auxiliary mean-payoff game  $\overline{G}_\nu$  (i.e., player 1 can ensure non-negative mean-payoff).*
2. *Player 1 has a memoryless winning strategy in the signature game  $(G, \nu)$ .*
3. *Player 1 is the winner in the signature game  $(G, \nu)$ .*

*Proof.* We first prove that item 1 implies item 2.

1. In order to prove that item 1 implies item 2, let us assume that player 1 is the winner in the auxiliary mean-payoff game. Note that the auxiliary mean-payoff game is equivalently a finite-state mean-payoff safety game, and therefore player 1 has a memoryless winning strategy  $\tau$  in the auxiliary mean-payoff game [22] (a mean-payoff safety game is easily transformed to a mean-payoff game by making the non-safe vertices absorbing with negative weights). Hence the memoryless strategy  $\tau$  ensures that edges with weight  $-\infty$  are never visited. Towards a contradiction, let us assume that  $\tau$  is not a winning strategy for the signature game (note that  $\tau$  is also a well-defined player-1 strategy in the signature game choosing edges in copy 1 according to  $\tau$ ). Therefore one of the following two cases occur.
  - Case 1: There exists a finite play prefix  $\rho$  that is consistent with  $\tau$ , which starts from the initial vertex  $v_0$  to some vertex  $v_i \in V$  with sum of weights less than  $\nu_i$ . In this case, either  $\rho$  goes through an  $-\omega$  edge, or  $w_G(\rho) < \nu_i$ . If  $\rho$  goes through an  $-\omega$  edge in  $G$ , then the weight of  $\rho$  in  $\overline{G}_\nu$  is at most  $-9 \cdot W \cdot |V|$ , since w.l.o.g we can assume that  $\rho$  does not have positive cycles (as  $\tau$  is memoryless). As  $-9 \cdot W \cdot |V| < \nu_i$ , it follows that the path  $(\rho \cdot ((v_i, 2), (v_0, 1)))^\omega$  is consistent with  $\tau$  and has a negative mean-payoff in the auxiliary game. This contradicts the assumption that  $\tau$  is a winning strategy. If  $\rho$  does not go through an  $-\omega$  edge, then  $w_G(\rho) < \nu_i$  and again  $(\rho \cdot ((v_i, 2), (v_0, 1)))^\omega$  is consistent with  $\tau$  and has a negative mean-payoff in the auxiliary game. This is again a contradiction that  $\tau$  is a winning strategy, and concludes the proof of the first case.
  - Case 2: There exists a finite play prefix  $\rho = \rho_1 \cdot \rho_2$  that is consistent with  $\tau$ , such that  $\rho_2$  is a negative cycle (or a cycle with  $-\omega$  edge) in the signature game graph. If  $\rho_2$  does not contain an  $-\omega$  edge  $e$ , then by definition,  $\rho_2$  is a negative cycle also in the auxiliary game. Otherwise,  $\rho_2$  contains an  $-\omega$  edge  $e$ , and then again  $\rho_2$  is a negative cycle in the auxiliary game, as w.l.o.g we can assume that  $\rho_2$  does not contain positive cycles, and since  $\overline{w}(e) \leq -10 \cdot W \cdot |V|$ . Thus the play  $\rho_1 \cdot (\rho_2)^\omega$  is consistent with  $\tau$  and has a negative mean-payoff in the auxiliary game. This contradicts the assumption that  $\tau$  is a winning strategy, and completes the proof.
2. Item 2 trivially implies item 3.
3. We now show that item 3 immediately implies item 1. It is straightforward to verify that if player 1 plays according to the signature game winning strategy in every position, then a negative cycle will not be formed in the auxiliary game (as a negative cycle is not formed in the signature game, and the threshold vector is always satisfied in the signature game) and a vertex with threshold  $+\infty$  will never be reached. Hence the mean-payoff of the play in the auxiliary mean-payoff game will be non-negative and  $-\infty$  edges will never be visited. This shows that item 3 implies item 1.

This completes the proof.  $\square$

**Lemma 32** *Let  $(G, \nu)$  be a signature game such that  $\nu_i \geq -2 \cdot W \cdot |V|$  for every  $\nu_i \in \mathbb{Z}$ . There is a winning strategy for player 1 in the signature game  $(G, \nu)$  iff player 1 has a memoryless winning strategy.*

*Proof.* Follows from Lemma 31.  $\square$

*Remark 5.* The result of Lemma 32 holds for all thresholds  $\nu_i$ , but we consider  $\nu_i \geq -2 \cdot W \cdot |V|$  for simplicity of the proof.

**Signature games to memoryless modular strategies.** We will now use the existence of cycle independent modular winning strategies, and memoryless winning strategies in signature games to show the existence of memoryless modular strategies. For simplicity we will consider recursive game graphs where every module has a single entry, and a simple polynomial reduction from multi-entry recursive game graphs to single entry recursive game graphs is established in [7]. To prove the result of memoryless modular strategies we define the signature games for modular strategies.

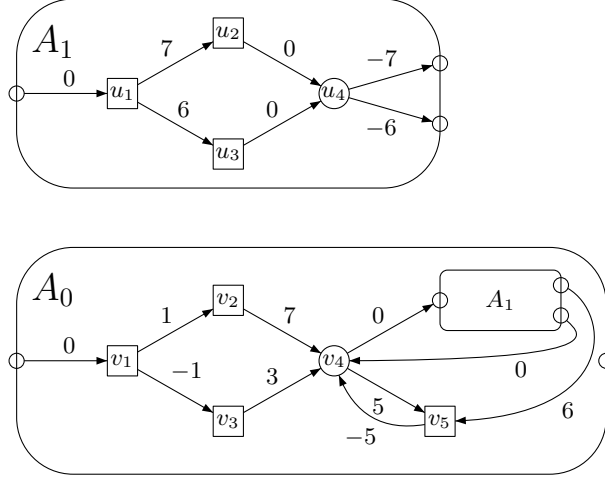
**Signature games for modular strategies.** Consider a WRG  $\mathcal{A} = \langle A_1, A_2, \dots, A_n \rangle$  and let  $\tau = \{\tau_i\}_{i=1}^n$  be a modular strategy. Consider a module  $A_i$  in  $\mathcal{A}$ . Let  $b \in B_i$  be a box in module  $A_i$ , which invokes the module  $A_j$ , and let  $n_i \in N_i$  be a node in module  $A_i$  that is connected to one exit of  $A_j$ , which is reachable according to the strategy  $\tau$ . We denote by  $w_{b, n_i}^\tau$  the minimal weight of all plays according to  $\tau$  that begins at the call to box  $b$  and ends at  $n_i$  (in the same stack height), and do not visit any other vertices in  $A_i$  (in the same stack height). If such a minimal-weight play does not exist, then let  $w_{b, n_i}^\tau = -\omega$ . For every module  $A_i$ , we form a finite-state two-player game graph  $G_{A_i}$ , with a



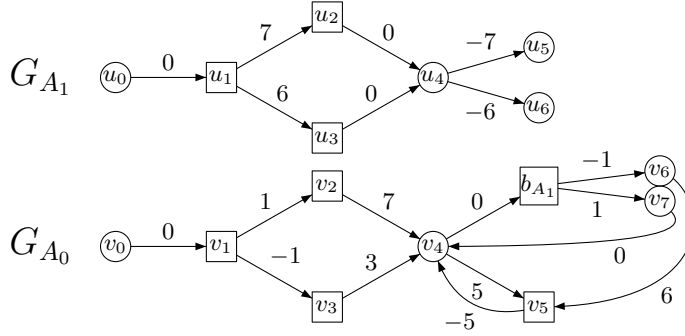
weight function as follows: (i) in the module  $A_i$  we add an edge from every box  $b$  to every return node  $n_i$  with weight  $w_{b,n_i}^\tau$ , and add a self loop, with weight 0, to every exit node; and (ii) every box is now interpreted as a player-2 vertex. Note that the local strategy  $\tau_i$  is a well-defined player-1 strategy in the game graph  $G_{A_i}$ . For a vertex  $v \in V_i$ , (i) if  $v$  is visited along a play consistent with  $\tau_i$ , then let  $\eta_v$  denote the maximal value such that in every position of a play according to  $\tau_i$  on  $G_{A_i}$ , that begins in the entry node of  $A_i$ , and is currently at vertex  $v \in V_i$ , the sum of weights from the beginning of the play is at least  $\eta_v$ ; and (ii) otherwise,  $v$  is never visited along all plays consistent with  $\tau_i$ , then  $\eta_v = +\infty$  (note that this is like a safety condition to ensure that  $v$  is not visited). The *signature game for  $\tau$  on module  $A_i$*  consists of the game graph  $G_{A_i}$  and the threshold vector  $\nu^i \in (\{-\omega, +\infty\} \cup \mathbb{Z})^{|V_i|}$ , such that  $\nu_v^i = \eta_v$  for all vertices  $v \in V_i$ . We denote by  $(G_{A_i}, \nu^i, \tau)$  the signature game obtained given the modular strategy  $\tau$  on module  $A_i$ . We first give an example that illustrates the connection between signature games and cycle independent modular winning strategies. We establish some basic properties in Lemma 33, and then in Lemma 34 we establish properties of the winning strategies in the signature games from modular strategies.

**Example 4** Consider the RSM  $\langle A_0, A_1 \rangle$  (shown in Figure 8) and a player-1 modular strategy  $\tau = \{\tau_0, \tau_1\}$  such that in module  $A_0$  the strategy  $\tau_0$  always selects  $v_4 \rightarrow v_5$  if the play visited  $v_3$  and otherwise it always invokes  $A_1$ , and in module  $A_1$ , the strategy  $\tau_1$  selects the upper exit (denoted by  $Ex_1$ ) if  $u_3$  is visited (in the current invocation of  $A_1$ ) and otherwise it selects the lower exit (denoted by  $Ex_2$ ). The strategy  $\tau$  is a cycle independent strategy, but it is not a memoryless strategy. In a play according to  $\tau$  if the upper exit of  $A_1$  is reached, then the path  $En_1 \rightarrow u_1 \rightarrow u_3 \rightarrow Ex_2$  with weight  $-1$  is played, and if the lower exit is reached, then the weight of the sub-play is 1. Hence, if in module  $A_0$ , vertex  $v_4$  invokes  $A_1$ , then if the upper exit of  $A_1$  is reached, then the play continues to  $v_5$  and from there to  $v_4$  and a cycle with weight 0 is formed. If the lower exit of  $A_1$  is reached, then the play continues to  $v_4$  and a cycle with weight 1 is formed. If in  $v_4$  the player-1 move is  $v_4 \rightarrow v_5$ , then the play continues to  $v_4$ , and a cycle with weight 0 is formed. Therefore, the strategy  $\tau$  ensure that mean-payoff is at least 0.

The corresponding signature game is illustrated in Figure 9. Note that the box that invokes  $A_1$  is replaced by  $b_{A_1}$ . We note that player 1 has to decide on the next move only in  $u_4$  in  $A_1$  and in  $v_4$  in  $A_0$ . Hence, the strategies  $\tau_0$  and  $\tau_1$  are well defined over  $G_{A_0}$  and  $G_{A_1}$ , respectively. The strategy  $\tau_1$  ensures the following signature over  $G_{A_1}$ :  $\nu^0 = 0, \nu^1 = 0, \nu^2 = 7, \nu^3 = 6, \nu^4 = 6, \nu^5 = -1, \nu^6 = 1$  and the strategy  $\tau_0$  ensures the following signature over  $G_{A_0}$ :  $\nu^0 = 0, \nu^1 = 0, \nu^2 = 1, \nu^3 = -1, \nu^4 = 2, \nu^5 = 7, \nu^{b_{A_1}} = 2, \nu^6 = 1, \nu^7 = 3$ . The same signatures are satisfied by a memoryless strategy that always selects  $u_4 \rightarrow u_5$  in  $G_{A_1}$  and  $v_4 \rightarrow b_{A_1}$  in  $G_{A_0}$ . The corresponding memoryless strategy in  $A_1$  is to select the upper exit in  $u_4$  and in  $A_0$  is to invoke  $A_1$  when in  $v_4$ . It is easy to verify that this memoryless strategy is a winning strategy in the recursive game for the mean-payoff objective.



**Fig. 8.** RSM with two modules ( $A_0$  and  $A_1$ ). Player 1 controls the round vertices and the rest of the vertices are controlled by player 2.



**Fig. 9.**  $G_{A_0}$  and  $G_{A_1}$  are the corresponding signature games for module  $A_0$  and  $A_1$  from Figure 8.

**Lemma 33** *Let  $\mathcal{A}$  be a WRG. If  $\tau$  is a cycle independent modular winning strategy for the objective  $\text{LimInfAvg} \geq 0$ , then for every module  $A_i$  the following assertions hold:*

- $\tau_i$  is a winning strategy for the signature game  $(G_{A_i}, \nu^i, \tau)$ ; and
- the integer coefficients of  $\nu^i$  are at least  $-2 \cdot W \cdot |V_i|$ .

*Proof.* The first fact of the lemma follows from the facts that every path according to  $\tau_i$  has sum of weights at least  $\nu^i$  and does not contain negative cycles (by the definition of the signature game given  $\tau$ , since  $\tau$  is a winning strategy). The second fact of the lemma follows from the fact that every path according to  $\tau_i$  does not contain negative cycles, as  $\tau_i$  is a cycle independent modular winning strategy.  $\square$

**Lemma 34** *Let  $\mathcal{A}$  be a WRG. Let  $\tau = \{\tau_i\}_{i=1}^n$  be a cycle independent modular winning strategy in  $\mathcal{A}$  for the objective  $\text{LimInfAvg} \geq 0$ . Let  $\sigma = \{\sigma_i\}_{i=1}^n$  be a modular strategy such that  $\sigma_i$  is a winning strategy for the signature game  $(G_{A_i}, \nu^i, \tau)$ . Then for every play  $\rho^\sigma$ , consistent with  $\sigma$ , which starts from the entry node of a module  $A_i$  to a node  $n$  in the same module (and possibly goes through box nodes), there exists a play  $\rho^\tau$ , consistent with  $\tau$ , from the same entry node to the same node  $n$ , such that  $w(\rho^\sigma) \geq w(\rho^\tau)$ . In addition, the path  $\rho^\sigma$  does not contain a negative proper cycle.*

*Proof.* The proof is by induction on the additional stack height of  $\rho^\sigma$ .

- *Base case:* Additional stack height is 0. In this case the play  $\rho^\sigma$  have only edges from  $A_i$ , and the weight of the play is identical to the weight of the same play in  $(G_{A_i}, \nu^i, \tau)$ . The play  $\rho^\sigma$  does not visit a vertex with threshold  $+\infty$ , otherwise  $\sigma_i$  would not be a winning strategy in the signature game  $(G_{A_i}, \nu^i, \tau)$ . Hence, by definition, there exists a play  $\rho^\tau$ , consistent with  $\tau$  from the entry node to  $n$  with weight at most  $\nu_n^i$ . Since  $\sigma_i$  is a winning strategy in the signature game, and  $\rho^\sigma$  is consistent with  $\sigma_i$ , we get that  $w(\rho^\sigma) \geq \nu_n^i$ . Therefore  $w(\rho^\sigma) \geq w(\rho^\tau)$ . Since  $\sigma_i$  is a winning strategy in the signature game, and the path  $\rho^\sigma$  is consistent with  $\sigma_i$  also in graph  $G_{A_i}$ , we get that  $\rho^\sigma$  does not contain negative cycles.
- *Inductive step:* Additional stack height  $> 0$ . For simplicity, we first assume that  $\rho^\sigma$  goes only through one box node in the module  $A_i$  (in the first stack level). Let node  $b$  be that box, and let node  $u \in A_i$  be the return node in that path. Let  $\rho_{b,u}^\sigma$  be the sub-play from the entry node of  $b$  to node  $u$ . Recall that  $w_{b,u}^\tau$  is the minimal weight among all plays consistent with  $\tau$  between  $b$  and  $u$ . Let  $A_j$  be the module invoked by  $b$ , and let  $u'$  be the exit node that leads to the return node  $u$  in  $A_i$ . As the additional stack height from the entry node of  $A_j$  to  $u'$  is strictly smaller than the additional stack height of  $\rho^\sigma$ , it follows from the inductive hypothesis that there exists a path consistent with  $\tau$  between these two nodes with weight at most  $w(\rho_{b,u}^\sigma)$ . Hence  $w_{b,u}^\tau \leq w(\rho_{b,u}^\sigma)$ . Thus, the weight of  $\rho^\sigma$  is bounded from below by the induced path of  $\rho^\sigma$  over the signature game  $(G_{A_i}, \nu^i, \tau)$ . Thus, by the definition of the signature game there exists a path  $\rho^\tau$  as desired. In addition, by the inductive hypothesis, the path  $\rho_{b,u}^\sigma$  does not contain proper negative cycles, and by the same arguments as above, there is also no negative proper cycle in module  $A_i$ . The case where  $\rho^\sigma$  goes through more than one box, is a straightforward extension of the argument presented above.

Thus we have the desired result. □

**Lemma 35** *Let  $\mathcal{A}$  be a WRG. Let  $\tau = \{\tau_i\}_{i=1}^n$  be a cycle independent modular winning strategy in  $\mathcal{A}$  for the objective  $\text{LimInfAve} \geq 0$ . Let  $\sigma = \{\sigma_i\}_{i=1}^n$  be a memoryless modular strategy such that  $\sigma_i$  is a memoryless winning strategy for the signature game  $(G_{A_i}, \nu^i, \tau)$ . Then  $\sigma$  is a memoryless modular winning strategy in  $\mathcal{A}$  for the objective  $\text{LimInfAve} \geq 0$ .*

*Proof.* Let  $\mathcal{A}^\sigma$  be the player-2 WRG obtained by fixing the memoryless modular strategy  $\sigma$  in  $\mathcal{A}$ . Assume towards a contradiction that  $\mathcal{A}^\sigma$  has a reachable non-decreasing negative cycle  $C$ , and let  $\rho$  be a finite path that leads to the first vertex of  $C$ . By Lemma 34 it follows that  $C$  cannot be a proper cycle.

First, we argue that in  $\mathcal{A}$  there exists a finite path  $\rho^\tau$  from the first vertex of  $\rho$  to the last vertex of  $\rho$  that is consistent with  $\tau$ . Indeed, by Lemma 34, between every entry node and box node in  $\rho$  there exists a path consistent with  $\tau$ , and finally there also exists such a path between the last entry node and the last node of  $\rho$ .

Second, to achieve the contradiction we will show that  $\tau$  is not a winning strategy. Let  $e_1$  be the first entry node in  $C$  (it must exist as  $C$  is not a proper cycle), and  $n_i$  be the last (and the first) node in  $C$  (note that  $C$  is not a proper cycle, and hence this node is well defined). Note that for every  $m \in \mathbb{N}$ , the path  $C^m$  is a non-decreasing cycle that is consistent with  $\sigma$  (as  $\sigma$  is a memoryless strategy). Let  $\rho_{e_1, n_i}$  be the path from  $e_1$  to  $n_i$ . Let  $\rho_{n_i, e_1}$  be the path from  $n_i$  to first appearance of  $e_1$  in  $C$ . We consider the path  $\rho^* = \rho_{e_1, n_i} \cdot C^m \cdot \rho_{n_i, e_1}$ , for  $m = 2 \cdot W \cdot (|\rho_{e_1, n_i}| + |\rho_{n_i, e_1}|)$ . This is a path that is (i) consistent with  $\sigma$ , (ii) begins and ends in the entry node  $e_1$  of the same module (not necessarily in the same stack height). Let  $b_1, b_2, \dots, b_\ell$  be the boxes that occur in the path. By Lemma 34, for every  $k$  there exists a path  $\rho_{b_i, b_{i+1}}^\tau$  consistent with  $\tau$  such that  $w(\rho_{b_i, b_{i+1}}^\tau) \leq w(\rho_{b_i, b_{i+1}}^\sigma)$ . Hence there exists a path  $\rho_*^\tau$  that is consistent with  $\tau$  from  $e_1$  to  $e_1$  such that the sum of the weights is negative. As  $\tau$  is a modular strategy, and  $e_1$  is an entry node, it follows that the path  $(\rho_*^\tau)^\omega$  is also consistent with  $\tau$ , and has a negative mean-payoff. In conclusion, we obtain that there exists a reachable negative non-decreasing cycle in  $\mathcal{A}$  consistent with  $\tau$ , and this contradicts that  $\tau$  is a winning strategy.

Hence, every path consistent with  $\sigma$  does not contain a negative non-decreasing cycle. By Lemma 20 it follows that  $\sigma$  is a winning strategy in  $\mathcal{A}$  for the objective  $\text{LimInfAve} \geq 0$ . □

**Lemma 36** *Let  $\mathcal{A}$  be a WRG. Player 1 has a modular winning strategy for the objective  $\text{LimInfAve} \geq 0$  iff there exists a memoryless modular winning strategy for player 1 for the  $\text{LimInfAve} \geq 0$  objective.*

*Proof.* The proof for the direction from right to left is trivial. The opposite direction is obtained as follows: by Lemma 26 it follows that if there is a modular winning strategy, then there is a cycle

independent modular winning strategy; and by Lemma 35 it follows that if there is a cycle independent modular winning strategy, then there is a memoryless modular winning strategy. The desired result follows.  $\square$

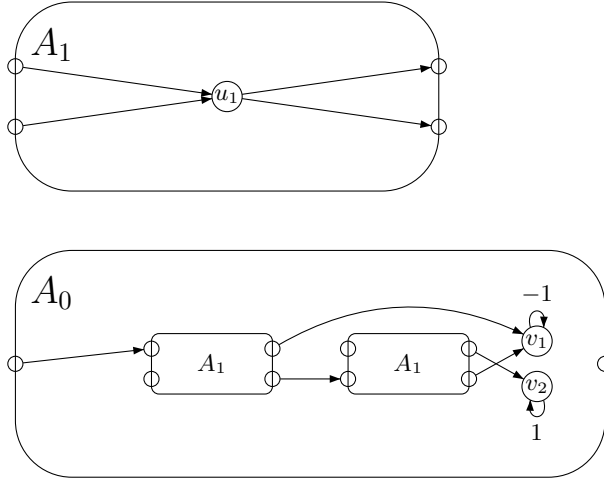
We are now ready to prove the main result of this section.

**Theorem 8** *The problem of deciding if player 1 has a modular winning strategy in a WRG  $\mathcal{A}$  for the objective  $\text{LimInfAvg} \geq 0$  is in NP.*

*Proof.* By Lemma 36 it is enough to guess a memoryless modular strategy (the memoryless modular strategy is the polynomial witness) and verify that it is indeed a winning strategy. The verification can be achieved in polynomial time using the polynomial-time algorithms of Section 2 for WPSs with mean-payoff objectives.  $\square$

**Strict inequalities and stack boundedness.** Note that by Corollary 3, the results of Lemma 36 and Theorem 8 also hold for the  $\text{LimSupAvg} \geq 0$  objective. For modular strategies we only presented the result for mean-payoff objectives with non-strict inequalities. The results for strict inequalities follow from an adaptation of the proofs for non-strict inequalities (for which we prove memoryless modular strategies are sufficient). In particular, Corollary 3 holds also for strict inequalities, that is, given a WRG  $\mathcal{A}$ , there exists a modular winning strategy for the objective  $\text{LimSupAvg} > 0$  iff there exists a modular winning strategy for the objective  $\text{LimInfAvg} > 0$ . Moreover, the results also follow for mean-payoff objectives with the stack boundedness condition for the following reason: we observe that the manipulated operations never increase the stack height. Thus from our results it follows that if there is a modular winning strategy to ensure the mean-payoff objective along with stack boundedness, then there is also a memoryless modular winning strategy. Hence the NP upper bound follows for strict inequalities as well as for stack boundedness.

**WRGs with multi-entry modules.** We now discuss the implication of our results for WRGs with modules that have multiple entries. The polynomial-time reduction from multi-entry recursive game graphs  $\mathcal{A}$  to single-entry recursive game graphs  $\mathcal{A}'$  presented in [7] preserves the winner of the game for reachability objectives, and we observe that the reduction also preserves the winner for mean-payoff objectives. Hence, Theorem 8 holds also when modules have multiple entry nodes. However, the reduction does not preserve memorylessness of modular strategies, i.e., in general a modular memoryless winning strategy for player 1 in  $\mathcal{A}'$  corresponds to a modular strategy that needs memory over  $\mathcal{A}$ . In other words, for WRGs with multi-entry modules, though the reduction and Theorem 8 can be used to obtain the NP complexity, the reduction and Lemma 36 do not imply the existence of memoryless modular winning strategies. In the following example we show that there exist WRGs with multi-entry modules, where modular winning strategies exist, but there is no memoryless modular winning strategy (and the example works even for reachability objectives, and when all nodes are controlled by player 1).



**Fig. 10.** RSM with two modules ( $A_0$  and  $A_1$ ). Player 1 controls all the vertices.

**Example 5** Consider the WRG shown in Figure 10, where player 1 has to make decisions only in node  $u_1$  in module  $A_1$  (and all the other nodes have out-degree 1). A player-1 modular winning strategy in node  $u_1$  is to go to the upper exit node if the module is invoked from the lower entry, and otherwise player 1 chooses the lower exit node. With this strategy the play reaches  $v_2$  and the mean-payoff is 1. On the other hand, any play according to a player-1 memoryless modular strategy, namely, either always go to the upper node or always go to the lower exit node, reaches  $v_1$  and has mean-payoff  $-1$ . Hence, in this example, player 1 has a modular winning strategy but not memoryless modular winning strategy (even for the objective is reachability to  $v_2$ ).

### 4.3 NP-hardness of the modular winning strategy problem

In this section we establish the NP-hardness of the modular winning strategy problem. Our hardness result will be for one-player WRGs (player-1 WRGs), where every module will have single exits, and the weights are  $\{-1, 0, +1\}$ . In other words, our hardness result shows that even a very simple version of the problem (single exit one-player WRGs with constant weights) is NP-hard.

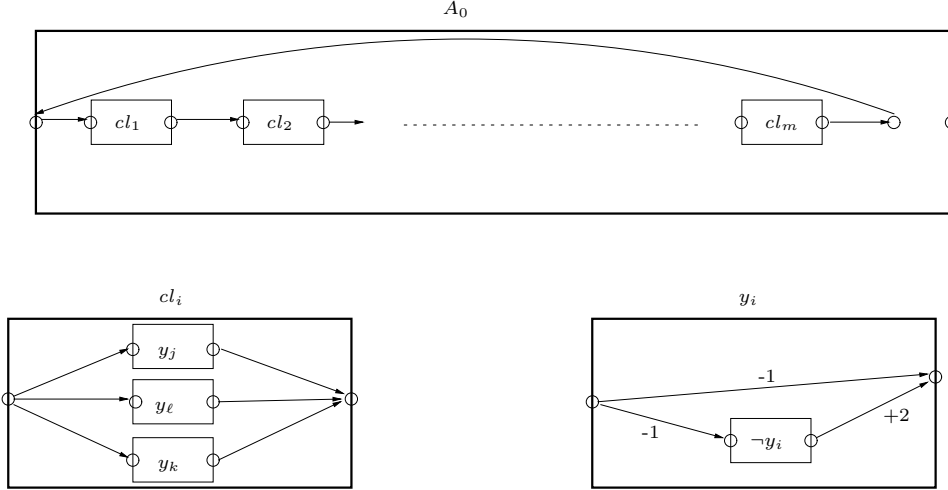
**Reduction.** We present a reduction from the 3-SAT problem (satisfiability of a CNF formula where every clause has exactly three distinct literals). Consider a 3-SAT formula  $\varphi(x_1, x_2, \dots, x_n) = \bigwedge_{i=1}^m cl_i$ , over  $n$  variables  $x_1, x_2, \dots, x_n$ , and  $m$  clauses  $cl_1, cl_2, \dots, cl_m$ . A literal is a variable  $x_i$  or its negation  $\neg x_i$ . We construct a player-1 WRG as follows:  $\mathcal{A}_\varphi = \langle A_0, x_1, \neg x_1, x_2, \neg x_2, \dots, x_n, \neg x_n, cl_1, cl_2, \dots, cl_m \rangle$  in the following way: there is an initial module  $A_0$ , there is a module for every literal, and for every clause. We now describe the modules.

*Module  $A_0$ .* The module invokes in an infinite loop in sequence the modules  $cl_1, cl_2, \dots, cl_m$ , and all the transitions in this module have weight zero.

*Module for clause  $cl_i$ .* There is an edge from the entry node of module  $cl_i$  to a box that invokes module  $y$ , for every literal  $y$  that appears in the clause  $cl_i$ . There is also an edge from the return node of  $y$  to the exit node of  $cl_i$ . All the weights in this module are zero.

*Module for literal  $y_i$ .* The entry node of  $y_i$  has outdegree two (left edge and right edge). The left edge is the FALSE edge, which leads to the exit node, and has a weight  $-1$ . The right edge is the TRUE edge, which leads to a box that invokes a call for module  $\neg y_i$ , and its weight is  $-1$ . The return of the box leads to the exit node and the edge weight is  $+2$ . The reduction is illustrated pictorially in Figure 11.

**Observation 2** Every path (that is generated by a modular strategy) from the entry node of the module  $y_i$  to its exit node, has a total weight of at most 0, hence every path (that is generated by a modular strategy) from the entry node of module  $cl_i$  to its exit node, has a total weight of at most 0.



**Fig. 11.** NP-hardness reduction

**Lemma 37** *There exists a modular winning strategy for player 1 in  $\mathcal{A}_\varphi$  for the objective  $\text{LimInfAvg} \geq 0$  iff  $\varphi$  is satisfiable.*

*Proof.* We first observe that every modular strategy in  $\mathcal{A}_\varphi$  is a memoryless modular strategy. Observe that modular strategy for player 1 is a selection of a literal for every clause module, and selecting either the TRUE or FALSE edge for every literal module. We now present both directions of the proof.

- *Modular winning strategy implies satisfiability.* Let  $\tau$  be a modular winning strategy for player 1, such that the literal  $y_i^\tau$  is chosen for clause  $cl_i$ . First, towards a contradiction, let us assume that there exists  $i \in \{1, \dots, m\}$  such that  $\tau$  selects the FALSE edge for module  $y_i^\tau$ . Hence the weight of the path inside the module  $cl_i$  is negative. Thus, due to Observation 2, the mean-payoff value according to  $\tau$  is negative. Therefore  $\tau$  selects the TRUE edge for the module  $y_i^\tau$ . Next, towards a contradiction, let us assume that there exist  $i, j \in \{1, \dots, m\}$  such that  $y_i^\tau = \neg y_j^\tau$  and  $\tau$  selects the TRUE edge for both modules. In this case, the play will never exit module  $y_i^\tau$ , and will go forever through edges with negative weights. Therefore if  $\tau$  selects the TRUE edge for  $y_i^\tau$ , then it does not select the TRUE edge for  $\neg y_i^\tau$ . Due to the above, the assignment that assigns a true value to the literal  $y_i^\tau$  in clause  $cl_i$  is a valid (non-conflicting) assignment that satisfies  $\varphi$ .
- *Satisfiability implies modular winning strategy.* Let  $\bar{x}$  be a satisfying assignment (a non-conflicting assignment of truth values to variables) for the formula  $\varphi$ . We construct a modular winning strategy  $\tau_{\bar{x}}$  as follows. In module  $cl_i$ , the modular strategy invokes the module  $y_i^{\bar{x}}$ , where  $y_i^{\bar{x}}$  is a literal for which  $\bar{x}$  assigns a true value (since  $\bar{x}$  is a satisfying assignment such a literal must exist). In module  $y_i$ , follow the TRUE edge if  $\bar{x}$  assigns a true value to the literal  $y_i$ , and follow the FALSE edge otherwise. It is straightforward to verify that the mean-payoff of a play according to  $\tau_{\bar{x}}$  is zero.

This completes the proof. □

Observe that in the hardness reduction we have used positive weight +2 for simplicity, which can be split into two edges of weight +1 each. Hence we have the following theorem.

**Theorem 9** *The modular winning strategy problem is NP-hard for one-player WRGs (player-1 WRGs) with single exit for every module and objective  $\text{LimInfAvg} \geq 0$  with edge weights in  $\{-1, 0, +1\}$ .*

**Strict inequalities and stack boundedness.** We first observe that the above reduction also holds for  $\text{LimSupAvg} \geq 0$  objective. Moreover, whenever the 3-SAT formula  $\varphi$  is satisfiable, then the witness memoryless modular strategy along with mean-payoff objective also ensures stack boundedness. Hence the hardness result follows for mean-payoff objectives with non-strict inequalities as well as for stack boundedness. The result for strict inequality is obtained as follows: we modify the above reduction by changing the weight of the edge back to the entry node of  $A_0$  from 0 to 1. Then if the formula  $\varphi$  is

satisfiable, then the average payoff for memoryless modular strategies is at least  $\frac{1}{|V|}$ , where  $|V|$  is the number of vertices, and if the formula  $\varphi$  is not satisfiable, then the mean-payoff under all memoryless modular strategies is at most 0. Hence the hardness follows also for mean-payoff objectives with strict inequalities. We have the following theorem summarizing the results for modular strategies.

**Theorem 10** *The following assertions hold for WRGs with objectives  $\Phi \bowtie 0$ , for  $\bowtie \in \{\geq, >\}$ ,  $\Phi \in \{\text{LimSupAvg}, \text{LimInfAvg}\}$ , as well as objectives  $\Phi \bowtie 0$  along with stack boundedness.*

1. *If there is a modular winning strategy, then there is a memoryless modular winning strategy.*
2. *The decision problem of whether there is a memoryless modular winning strategy is NP-complete.*
3. *The decision problem is NP-hard for player-1 WRGs with single exit for every module and edge weights in  $\{-1, 0, +1\}$ .*

## 5 Conclusion

In this work we study for the first time mean-payoff objectives in pushdown games and present a complete characterization of computational and strategy complexity. We show that pushdown systems (one-player pushdown games) with mean-payoff objectives under global strategies can be solved in polynomial time, whereas pushdown games with mean-payoff objectives under global strategies are undecidable. For modular strategies both pushdown systems and pushdown games with mean-payoff objectives are NP-complete. We also show that global strategies for mean-payoff objectives in general require infinite memory even in pushdown systems; whereas memoryless strategies suffice for modular strategies for mean-payoff objectives. An interesting direction of future work would be to consider such games with multi-dimensional mean-payoff objectives.

## References

1. S. Almagor, U. Boker, and O. Kupferman. What’s decidable about weighted automata? In *ATVA*, pages 482–491, 2011.
2. S. Almagor, U. Boker, and O. Kupferman. Formally Reasoning About Quality. In *Journal of the ACM*, to appear.
3. R. Alur, M. Benedikt, K. Etessami, P. Godefroid, T. W. Reps, and M. Yannakakis. Analysis of recursive state machines. *ACM Trans. Program. Lang. Syst.*, 27(4):786–818, 2005.
4. R. Alur, T.A. Henzinger, and O. Kupferman. Alternating-time temporal logic. *Journal of the ACM*, 49:672–713, 2002.
5. R. Alur, K. Etessami, and M. Yannakakis. Analysis of recursive state machines. In *CAV*, pages 207–220, 2001.
6. R. Alur, S. La Torre, and P. Madhusudan. Modular strategies for infinite games on recursive graphs. In *CAV*, pages 67–79, 2003.
7. R. Alur, S. La Torre, and P. Madhusudan. Modular strategies for recursive game graphs. *Theor. Comput. Sci.*, 354(2):230–249, 2006.
8. R. Bloem, K. Chatterjee, T. A. Henzinger, and B. Jobstmann. Better quality in synthesis through quantitative objectives. In *CAV*, pages 140–156, 2009.
9. R. Bloem, K. Greimel, T. A. Henzinger, and B. Jobstmann. Synthesizing robust systems. In *FMCAD*, pages 85–92, 2009.
10. U. Boker, K. Chatterjee, T. A. Henzinger, and O. Kupferman. Temporal specifications with accumulative values. In *LICS*, pages 43–52, 2011.
11. T. Brázdil, V. Brozek, V. Forejt, and A. Kucera. Reachability in recursive Markov decision processes. *Inf. Comput.*, 206(5):520–537, 2008.
12. T. Brázdil, V. Brozek, A. Kucera, and J. Obdržálek. Qualitative reachability in stochastic BPA games. *Inf. Comput.*, 209(8):1160–1183, 2011.
13. J.R. Büchi. Regular canonical systems. *Archive for Mathematical Logic* 6(3), pp. 91111, 1964.
14. J.R. Büchi and L.H. Landweber. Solving sequential conditions by finite-state strategies. *Transactions of the AMS*, 138:295–311, 1969.
15. K. Chatterjee, L. Doyen, and T. A. Henzinger. Quantitative languages. *ACM Trans. Comput. Log.*, 11(4), 2010.
16. K. Chatterjee, A. Pavlogiannis, and Y. Verner. Quantitative interprocedural analysis. In *POPL*, 2015.
17. K. Chatterjee, T. A. Henzinger, B. Jobstmann and R. Singh. Measuring and Synthesizing Systems in Probabilistic Environments. *Journal of the ACM*, 2015.

18. H. Chen and D. Wagner. Mops: an infrastructure for examining security properties of software. In Proceedings of ACM Conference on Computer and Communications Security, pages 235–244, 2002.
19. T. H. Cormen, C. E. Leiserson, R. L. Rivest, and C. Stein. *Introduction to Algorithms*. The MIT Press, 2001.
20. L. de Alfaro and T.A. Henzinger. Interface theories for component-based design. In *EMSOFT*, LNCS 2211, pages 148–165. Springer, 2001.
21. M. Droste and I. Meinecke. Describing average- and longtime-behavior by weighted MSO logics. In *MFCS*, pages 537–548, 2010.
22. A. Ehrenfeucht and J. Mycielski. Positional strategies for mean payoff games. *Int. Journal of Game Theory*, 8(2):109–113, 1979.
23. E.A. Emerson and C. Jutla. The complexity of tree automata and logics of programs. In *FOCS'88*, pages 328–337. IEEE, 1988.
24. E.A. Emerson and C. Jutla. Tree automata, mu-calculus and determinacy. In *FOCS*, pages 368–377. IEEE, 1991.
25. K. Etessami and M. Yannakakis. Recursive Markov decision processes and recursive stochastic games. In *ICALP'05*, LNCS 3580, Springer, pages 891–903, 2005.
26. K. Etessami and M. Yannakakis. Recursive Markov chains, stochastic grammars, and monotone systems of nonlinear equations. *J. ACM*, 56(1), 2009.
27. K. Etessami and M. Yannakakis. Recursive Markov Decision Processes and Recursive Stochastic Games. *J. J. ACM*, 2015.
28. E. Grädel, W. Thomas, and T. Wilke, editors. *Automata, Logics, and Infinite Games: A Guide to Current Research*, LNCS 2500. Springer, 2002.
29. Y. Gurevich and L. Harrington. Trees, automata, and games. In *STOC'82*, pages 60–65. ACM Press, 1982.
30. T.A. Henzinger, R. Jhala, R. Majumdar, G.C. Necula, G. Sutre and W. Weimer. Temporal-safety proofs for systems code. In *CAV'02*, pages 526–538, 2002.
31. T. A. Henzinger, O. Kupferman, and S. Rajamani. Fair simulation. *Information and Computation*, 173:64–81, 2002.
32. M. Jurdzinski. Deciding the winner in parity games is in  $UP \cap co-UP$ . *Information Processing Letters*, 68(3):119–124, 1998.
33. R.M. Karp. A characterization of the minimum cycle mean in a digraph. *Discrete Mathematics*, 23:309–311, 1978.
34. D Krob. The equality problem for rational series with multiplicities in the tropical semiring is undecidable. In *ICALP*, pages 101–112, 1992.
35. T. A. Liggett and S. A. Lippman. Stochastic games with perfect information and time average payoff. *Siam Review*, 11:604–607, 1969.
36. R. McNaughton. Infinite games played on finite graphs. *Annals of Pure and Applied Logic*, 65:149–184, 1993.
37. A. Pnueli and R. Rosner. On the synthesis of a reactive module. In *POPL*, pages 179–190. ACM Press, 1989.
38. P. J. Ramadge and W. M. Wonham. Supervisory control of a class of discrete-event processes. *SIAM Journal of Control and Optimization*, 25(1):206–230, 1987.
39. T. Reps, S. Horwitz and M. Sagiv. Precise Interprocedural Dataflow Analysis via Graph Reachability In *POPL*, pages 49–61. ACM Press, 1995.
40. W. Thomas. Languages, automata, and logic. In *Handbook of Formal Languages*, volume 3, Beyond Words, chapter 7, pages 389–455. Springer, 1997.
41. I. Walukiewicz. Model checking CTL properties of pushdown systems. In *FSTTCS*, pages 127–138, 2000.
42. I. Walukiewicz. Pushdown processes: Games and model-checking. *Inf. Comput.*, 164(2):234–263, 2001.
43. M. Yannakakis. Graph-theoretic methods in database theory. In *PODS*, pages 230–242, 1990.
44. W. Zielonka. Infinite games on finitely coloured graphs with applications to automata on infinite trees. In *Theoretical Computer Science*, volume 200(1-2), pages 135–183, 1998.
45. U. Zwick and M. Paterson. The complexity of mean payoff games on graphs. *Theoretical Computer Science*, 158:343–359, 1996.