

ALEPH 86-8

14-1-86

E. Dulach

of

Distr. LAYOUT

1 detector container

done on the full scale container prototype floor (Fig. 1).

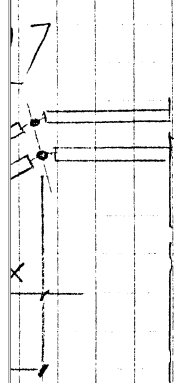
a support structure which simulated the

actually been modified in order to improve
s not alter the results of the tests done.

ers deformation are shown in Fig. 3. This
s space position. The signs minus and plus
distance of the centre of the container from

e second floor has been extrapolated from
etly accepted.

he maximum deformation of the container
o towards the bearings by the law:



$$K = 1.3 \cdot 10^{-10} \text{ mm}^{-2}$$

beam

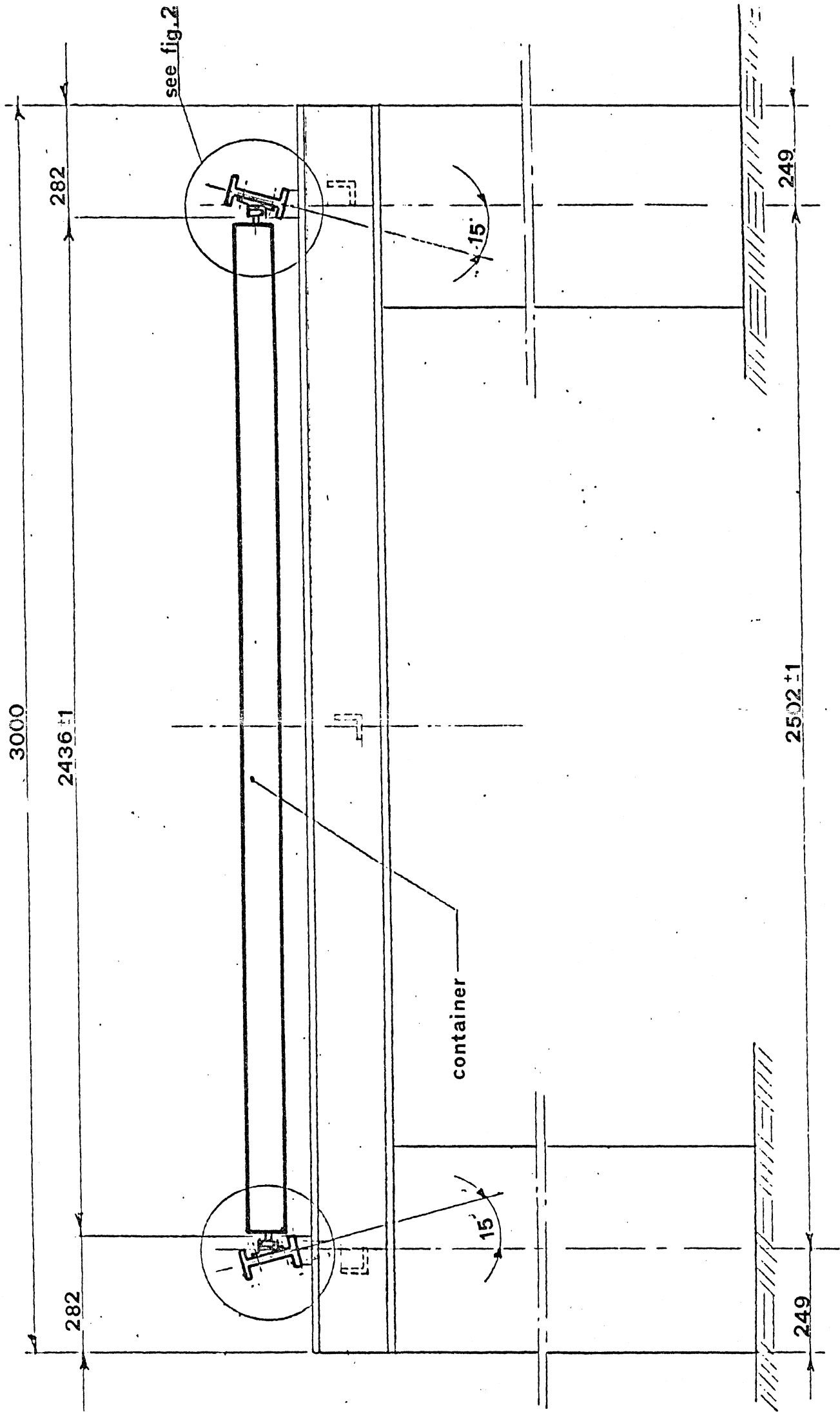


fig 1

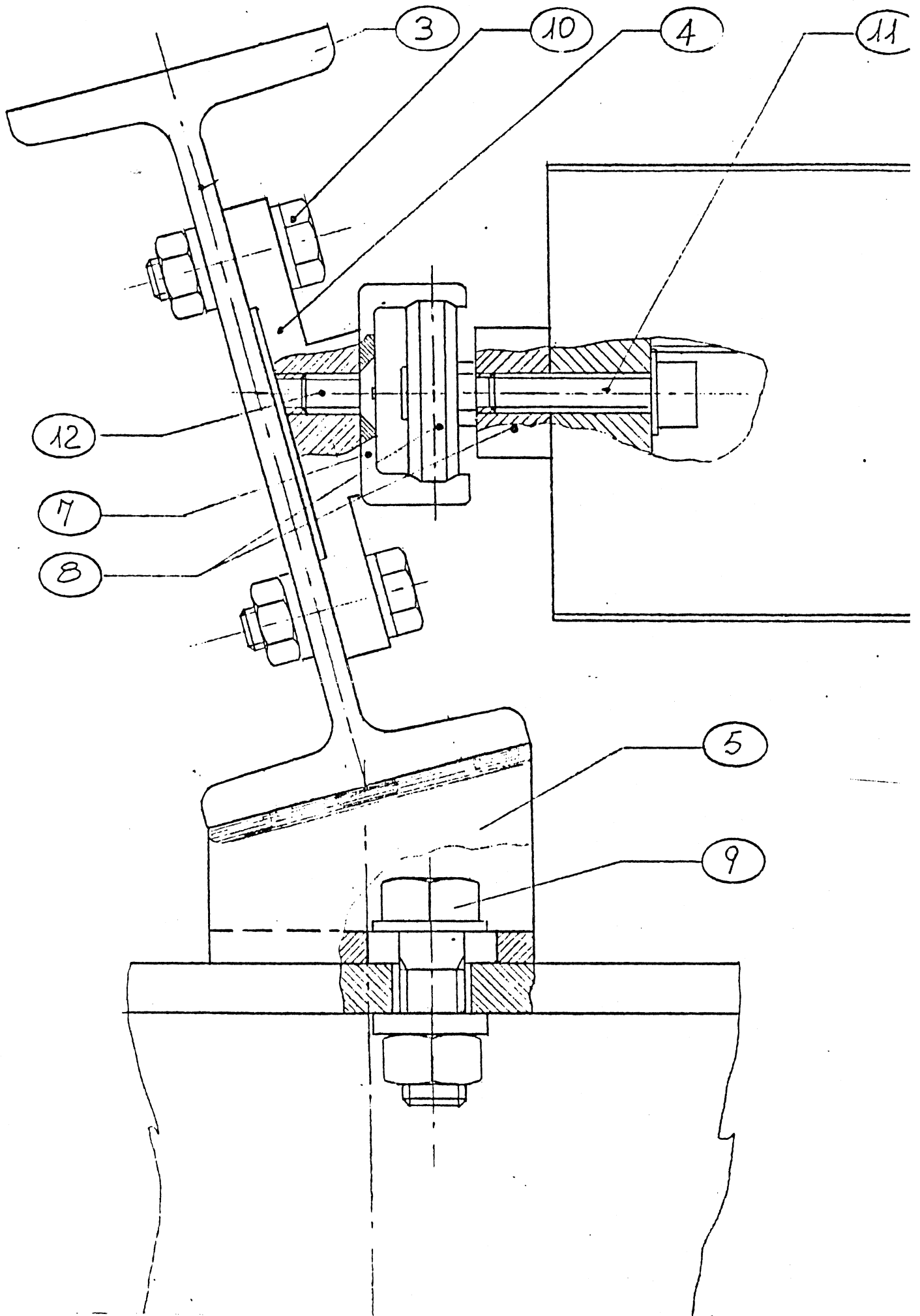


fig.2

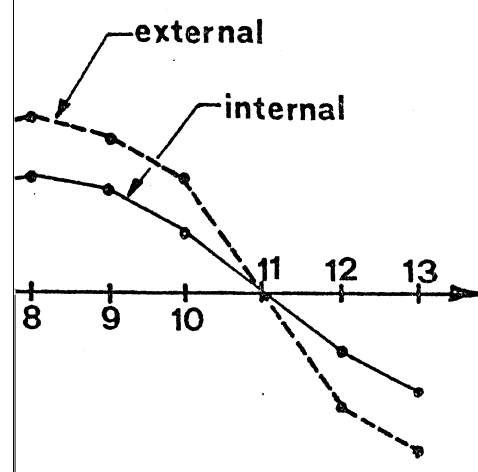
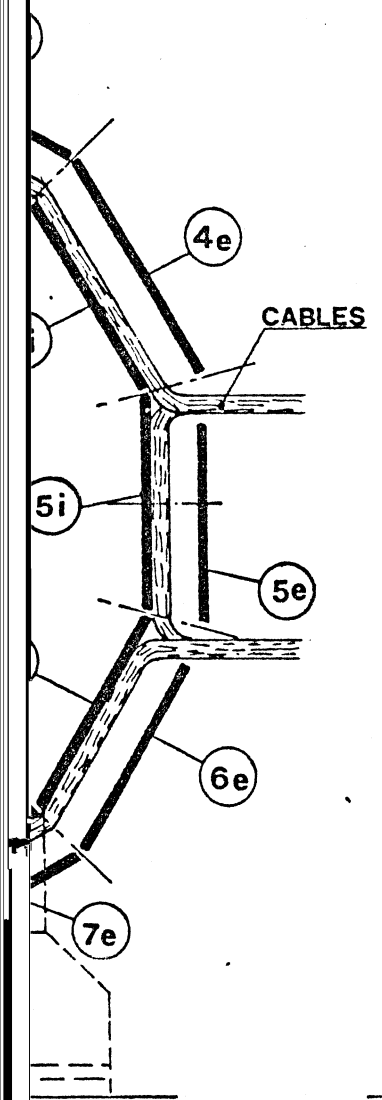


fig 3