



---

# Observation of $W\gamma\gamma$ triboson production in proton-proton collisions at $\sqrt{s} = 13$ TeV with the ATLAS detector

The ATLAS Collaboration

This letter reports the observation of  $W(\ell\nu)\gamma\gamma$  production in proton-proton collisions. This measurement uses the full Run 2 sample of events recorded at a center-of-mass energy of  $\sqrt{s} = 13$  TeV by the ATLAS detector at the LHC, corresponding to an integrated luminosity of  $140 \text{ fb}^{-1}$ . Events with a leptonically-decaying  $W$  boson and at least two photons are considered. The background-only hypothesis is rejected with an observed and expected significance of 5.6 standard deviations, corresponding to the observation of this process. The inclusive fiducial production cross section of  $W(e\nu)\gamma\gamma$  and  $W(\mu\nu)\gamma\gamma$  events is measured to be  $\sigma_{\text{fid}} = 12.2 \pm 1.0(\text{stat})_{-1.8}^{+1.9}(\text{syst}) \pm 0.1(\text{lumi}) \text{ fb}$ , in agreement with the Standard Model prediction.

# 1 Introduction

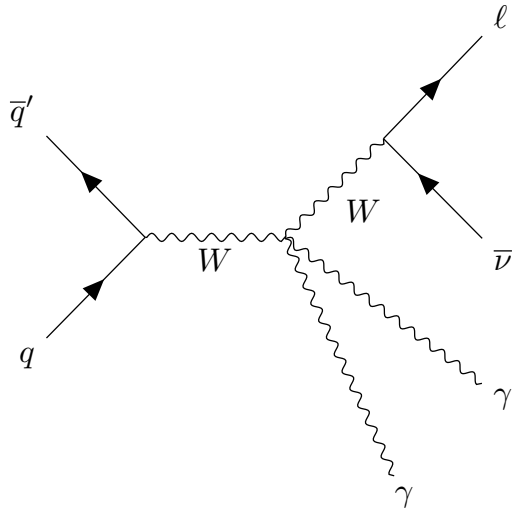
In the Standard Model (SM) of particle physics, interactions amongst electroweak gauge bosons ( $\gamma$ ,  $W$ ,  $Z$ ) are entirely determined by the non-Abelian  $SU(2) \times U(1)$  structure of the electroweak sector. In particular, in proton-proton collisions, the production of a  $W$  boson in association with two photons is sensitive to triple and quartic gauge boson couplings that could be modified by the presence of new physics phenomena [1–3]. The study of this process therefore provides sensitivity to new physics that is complementary to direct searches as it can constrain new physics at energy scales that are beyond the reach of the LHC. In addition, due to the small production cross section of the  $W\gamma\gamma$  final state in proton-proton collisions, it is only now becoming accessible with the data collected during Run 2 of the LHC. Therefore, it remains one of the least studied processes in the electroweak sector of the SM. The production of a  $W$  boson in association with two photons is also an important background in a number of other measurements, such as the production of the SM Higgs boson in association with a  $W$  boson, followed by a  $H \rightarrow \gamma\gamma$  decay [4].

The  $W\gamma\gamma$  triboson production is studied here through final states compatible with a leptonic decay of the  $W$  boson. A representative selection of leading-order (LO) Feynman diagrams, and a loop-induced SM Higgs boson Feynman diagram, of  $pp \rightarrow \ell\nu\gamma\gamma$  production are shown in Figure 1. These Feynman diagrams illustrate four of the many possible production modes, and include processes where the photons are produced via: (a) a  $WW\gamma\gamma$  quartic gauge coupling; (b) two  $WW\gamma$  triple gauge couplings; (c) initial (ISR) and final (FSR) state radiation; and (d) as the decay products of a Higgs boson. Production of  $W\gamma\gamma$  via a SM Higgs boson is treated as background in this analysis to isolate the signal processes to those with only electroweak gauge boson interactions.

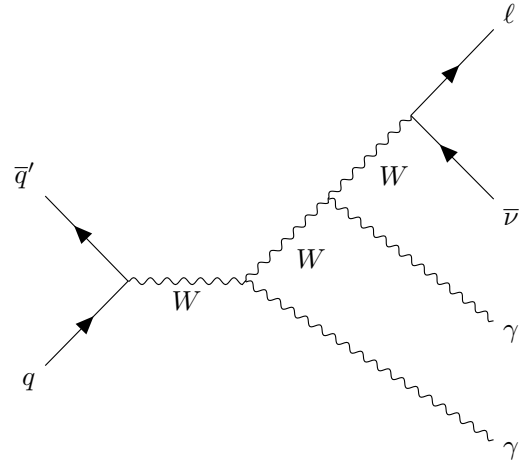
Although there are contributions from processes with one or more FSR photons (see diagram (c)), the process will nevertheless be referred to as  $W\gamma\gamma$  throughout this letter for simplicity.

The largest sources of background in this analysis consist of events in which at least one of the reconstructed objects in the final state is misidentified. Data-driven techniques, described in Section 5, are used to estimate these sources of reducible background, which include photons from misidentified jets or neutral hadron decays, electrons misidentified as photons, leptons from misidentified jets or heavy-flavored hadron decays, and events in which one or both photons do not originate from the primary vertex. In addition, a small fraction of background events originates from multiboson ( $WH(\gamma\gamma)$ ,  $WW\gamma$ ,  $Z\gamma\gamma$ ) and top-quark production ( $t\bar{t}\gamma$ ,  $tW\gamma$ ,  $tq\gamma$ ). Monte Carlo (MC) simulated samples, described in Section 3, are used to estimate the yield of these sources of irreducible background. To maximize the analysis sensitivity, the uncertainty on background yield from  $t\bar{t}\gamma$  production is constrained from data in a control region (TopCR) that does not overlap with the signal region of interest.

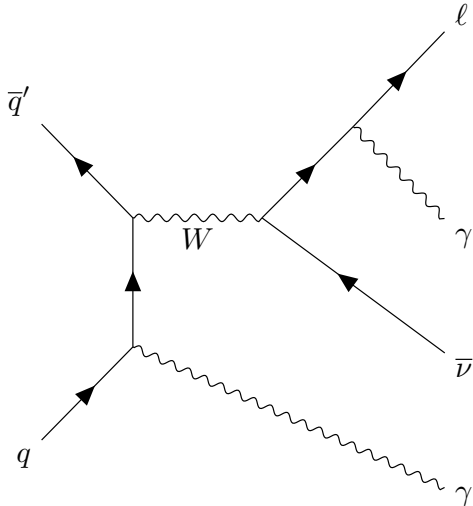
Previous measurements of the  $W\gamma\gamma$  process were performed at the LHC using proton-proton collisions at a center-of-mass energy of  $\sqrt{s} = 8$  TeV with the ATLAS [5] and CMS [6] detectors, and at  $\sqrt{s} = 13$  TeV with the CMS [7] detector, resulting in a maximum observed statistical significance of  $3.1\sigma$ . This letter presents the observation of the  $W\gamma\gamma$  process and a measurement of its fiducial cross section in the  $W \rightarrow e\nu$  and  $W \rightarrow \mu\nu$  decay channels. In order to obtain a precise background estimate, the electron and muon channels are combined for both the observation and fiducial cross section measurement. The  $pp \rightarrow W\gamma\gamma$  signal strength  $\mu$ , defined as the ratio of the observed signal yield to the expected yield, is measured to assess the compatibility between data and SM prediction. Results are obtained based on the analysis of  $\mathcal{L} = 140 \text{ fb}^{-1}$  of proton-proton collision data collected with the ATLAS detector at  $\sqrt{s} = 13$  TeV, allowing for improvement over the previous ATLAS result due to both the increase in integrated luminosity



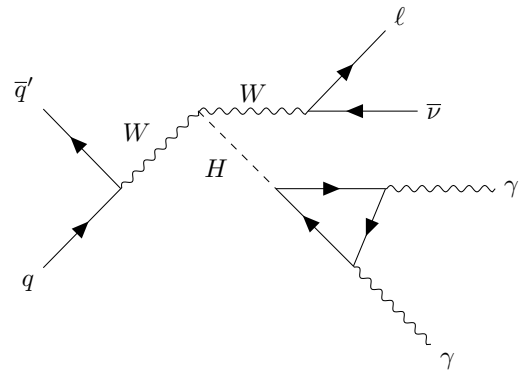
(a)  $W\gamma\gamma$  production via a quartic gauge boson coupling.



(b)  $W\gamma\gamma$  production via two triple gauge boson couplings.



(c)  $W\gamma\gamma$  production where the photons are produced via ISR and FSR.



(d)  $W\gamma\gamma$  production where the photons are produced via the decay of a SM Higgs boson.

Figure 1: Representative Feynman diagrams for the production of  $W\gamma\gamma$ .

and the increase in production cross section, in addition to improvements to the data-driven background estimates.

## 2 ATLAS Detector

The ATLAS experiment [8] at the LHC is a multipurpose particle detector with a cylindrical geometry, forward–backward symmetric, and a near  $4\pi$  coverage in solid angle.<sup>1</sup> It consists of an inner tracking detector (ID) surrounded by a thin superconducting solenoid providing a 2 T axial magnetic field, electromagnetic and hadron calorimeters, and a muon spectrometer (MS). The inner tracking detector covers the pseudorapidity range  $|\eta| < 2.5$ . It consists of silicon pixel, silicon microstrip, and transition radiation tracking detectors. Lead/liquid-argon (LAr) sampling calorimeters provide electromagnetic (EM) energy measurements with high granularity. A steel/scintillator-tile hadron calorimeter covers the central pseudorapidity range ( $|\eta| < 1.7$ ). The endcap and forward regions are instrumented with LAr calorimeters for both the EM and hadronic energy measurements up to  $|\eta| = 4.9$ . The muon spectrometer surrounds the calorimeters and is based on three large superconducting air-core toroidal magnets with eight coils each. The magnetic field line integral of the toroidal magnets ranges between 2.0 and 6.0 T m across most of the detector. The muon spectrometer includes a system of precision tracking chambers and fast detectors for triggering. A two-level trigger system is used to select events. The first-level trigger is implemented in hardware and uses a subset of the detector information to accept events at a rate below 100 kHz. This is followed by a software-based trigger that reduces the accepted event rate to 1 kHz on average depending on the data-taking conditions. An extensive software suite [9] is used in the reconstruction and analysis of real and simulated data, in detector operations, and in the trigger and data acquisition systems of the experiment.

## 3 Data and Simulation

The measurement presented in this letter is based on proton-proton collision data at a center-of-mass energy of 13 TeV recorded by the ATLAS detector during Run 2 of the LHC (2015-2018). During this data-taking period, the number of interactions per proton bunch crossing (pileup) averaged between 13 and 38 interactions, depending on the year [10]. After applying ATLAS data quality requirements [11], the dataset corresponds to an integrated luminosity of  $\mathcal{L} = 140 \text{ fb}^{-1}$ . The uncertainty in the combined integrated luminosity for 2015-2018 is 0.83% [12], obtained using the LUCID-2 detector [13] for the primary luminosity measurements, complemented by measurements using the ID and calorimeters.

Simulated samples are used to model the expected signal and irreducible background yields, while reducible backgrounds from misidentified objects are estimated using data-driven techniques described in Section 5. The irreducible backgrounds, as listed in Section 1, contribute to the analysis when, where necessary, one lepton is not reconstructed or additional photons are present due to FSR.

Signal  $e\nu\gamma\gamma$ ,  $\mu\nu\gamma\gamma$ , and  $\tau\nu\gamma\gamma$  processes are generated with SHERPA 2.2.10 [14] generator using next-to-leading-order (NLO) matrix elements (ME) with zero partons, and leading-order (LO) matrix elements for up to two partons calculated with the Comix [15] and OpenLoop [16–18] libraries. They were matched with the SHERPA parton shower [19] using the MEPS@NLO prescription [20–23] using the set of tuned parameters developed by the SHERPA authors. The NNPDF3.0<sub>NNLO</sub> next-to-next-to-leading order (NNLO)

---

<sup>1</sup> ATLAS uses a right-handed coordinate system with its origin at the nominal interaction point (IP) in the center of the detector and the  $z$ -axis along the beam pipe. The  $x$ -axis points from the IP to the center of the LHC ring, and the  $y$ -axis points upwards. Cylindrical coordinates  $(r, \phi)$  are used in the transverse plane,  $\phi$  being the azimuthal angle around the  $z$ -axis. The pseudorapidity is defined in terms of the polar angle  $\theta$  as  $\eta = -\ln \tan(\theta/2)$ . Angular distance is measured in units of  $\Delta R \equiv \sqrt{(\Delta\eta)^2 + (\Delta\phi)^2}$ .

parton distribution function (PDF) set from the NNPDF Collaboration [24] was used. Approximate NLO electroweak corrections are included in these samples [25] and result in a negligible effect in the  $W\gamma\gamma$  phase space used in this measurement.

The  $WH(\gamma\gamma)$  background is estimated from events generated with the POWHEG-BOX v2 [26] generator interfaced with PYTHIA 8.212 [27, 28] using the AZNLO tune [29] for parton showering modeling and NLO PDFs from NNPDF3.0. Background contributions from  $WW\gamma$  (SHERPA 2.2.11),  $Z\gamma\gamma$  (SHERPA 2.2.10), and  $Z\gamma$  (SHERPA 2.2.8) processes are estimated from samples generated to NLO accuracy in perturbative QCD with up to 1 additional parton emission, and merged with samples to LO accuracy in perturbative QCD with 2 to 3 parton emissions; like the signal samples, these are generated with the NNLO PDF set from NNPDF3.0<sub>NNLO</sub>. Double counting between  $Z\gamma$  and  $Z\gamma\gamma$  is removed at the event generation stage. Contributions from  $t\bar{t}\gamma$  events,  $tW\gamma$  events where the photon is produced in the  $tW$  decay chain, and  $tq\gamma$  events are generated with MADGRAPH5\_AMC@NLO 2.3.3 [30]. The NNPDF2.3<sub>LO</sub> [31] PDF sets and parton shower modeling from PYTHIA 8.212 with the A14 tune [32] are used in the generation of these event samples. Contributions from  $tW\gamma$  events where the photon is produced at matrix-element level are generated with MADGRAPH5\_AMC@NLO 2.6.7, NNPDF2.3<sub>LO</sub> PDF sets, and parton shower modeling from PYTHIA 8.244 with the A14 tune. In all simulated samples where the production of one photon is generated in the matrix element, a second prompt photon can be produced as FSR in the parton shower.

Both signal and background MC events are processed through the full ATLAS detector simulation [33] based on GEANT4 [34]. The effects of multiple interactions in the same and neighboring bunch crossings are modeled by overlaying the simulated hard-scattering event with inelastic proton–proton events generated with PYTHIA 8.186 [27] using the NNPDF2.3<sub>LO</sub> set of PDFs [31] and the A3 set of tuned parameters [35]. Simulated events are weighted such that the pileup distribution reproduces the pileup distribution of the dataset used in this measurement.

## 4 Event Selection

The  $W\gamma\gamma$  process is investigated using the leptonic decays of the  $W$  boson. While events with a leptonic  $\tau$  decay to an electron or a muon are considered as signal events, those with hadronic  $\tau$  decays are considered as a background. Candidate  $W(\ell\nu)\gamma\gamma$  events therefore contain two isolated photons, an isolated electron or muon, and missing transverse momentum, with magnitude referred to as missing transverse energy ( $E_T^{\text{miss}}$ ), from the undetected neutrino(s) originating from the leptonic  $W$  boson decays. The following paragraphs describe the selection requirements used to define the signal region (SR) of the measurement.

Events used for this measurement are selected using a suite of triggers that require the presence of at least two photons with  $p_T > 10$  GeV and at least one electron or muon with  $p_T > 20$  GeV [36, 37]. For the 2017-2018 data-taking period, the  $p_T$  thresholds used to select events with at least two photons and at least one electron were increased to 12 GeV (photons) and 24 GeV (electron). In addition to these triggers, single and di-lepton triggers with  $p_T$  thresholds between 14 and 26 GeV are used to select events for the data-driven background estimates. In all cases, trigger objects must be matched to reconstructed objects selected for analysis.

Events are required to have a primary vertex associated with at least two charged-particle tracks with  $p_T > 0.5$  GeV in the proton-proton interaction region. If multiple vertices satisfy this criteria, the vertex with the highest  $p_T^2$  sum is selected.

Photon candidates are reconstructed from clusters of energy deposits in the EM calorimeter, calibrated at the EM scale, and tracking information from the ID, which is used to classify candidates as either converted or unconverted photons. Candidate photons are required to have a transverse momentum  $p_T > 20$  GeV and a pseudorapidity of  $|\eta| < 2.37$ , excluding the transition region between the electromagnetic barrel and endcap regions of the calorimeter,  $1.37 < |\eta| < 1.52$ . Photons must also satisfy the cut-based *Tight* identification requirement defined using EM shower shape variables [38]. To reject non-prompt photons originating from jets, photons must satisfy an isolation requirement based on topological clusters [39] of energy deposits in the EM calorimeter. The isolation energy of a photon,  $E_T^{\text{iso},\gamma}$ , is determined by first calculating the scalar sum of the transverse energy of topological clusters within  $\Delta R = 0.4$  of a photon ( $E_T^{\text{cone}}$ ), corrected for the energy of the photon itself, and then subtracting off a value that depends on the transverse photon energy ( $E_T^\gamma$ ), such that  $E_T^{\text{iso},\gamma} = E_T^{\text{cone}} - 0.022 * E_T^\gamma$ . Photons are required to pass the *Calorimeter-Only Tight* isolation working point [38], which requires  $E_T^{\text{iso},\gamma} < 2.45$  GeV. In addition, the two photons must be separated from each other by requiring  $\Delta R > 0.4$ .

Electron candidates are reconstructed from energy deposits in the EM calorimeter that can be matched to ID tracks. These tracks must be consistent with originating from the primary vertex by requiring that  $|d_0/\sigma_{d_0}| < 5$  and  $|z_0 \cdot \sin(\theta)| < 0.5$  mm, where  $d_0$  is the transverse impact parameter relative to the beam line and  $\sigma_{d_0}$  is its uncertainty,  $z_0$  is the longitudinal impact parameter, and  $\theta$  is the polar angle of the track with respect to the beamline. Electron candidates are required to have  $p_T > 25$  GeV and  $|\eta| < 2.47$ , excluding the region  $1.37 < |\eta| < 1.52$ . Additionally, they must satisfy the likelihood-based *Medium* identification requirement defined using inputs from the calorimetry and tracking systems [40].

Muon candidates are reconstructed by matching tracks in the ID to tracks in the MS. These tracks must be consistent with originating from primary vertices by requiring  $|d_0/\sigma_{d_0}| < 3$  and  $|z_0 \cdot \sin(\theta)| < 0.5$  mm. Muon candidates are further required to have  $p_T > 25$  GeV and  $|\eta| < 2.4$ , and must satisfy the *Medium* identification requirement [41] based on the quality and compatibility of their tracks in the ID and MS.

To further distinguish signal leptons from background, isolation variables for calorimeter energy deposits ( $E_T^{\text{iso}}$ ) and tracks ( $p_T^{\text{iso}}$ ) are constructed. The calorimeter isolation  $E_T^{\text{iso}}$  is defined as the scalar sum of the transverse energy of topological clusters within  $\Delta R = 0.2$  of the lepton, which is corrected for both the energy of the lepton itself and the average pileup energy density measured in this region of the detector. For electrons (muons), the track-based isolation  $p_{T,e}^{\text{iso}}$  ( $p_{T,\mu}^{\text{iso}}$ ) is defined as the scalar sum of tracks with  $p_T > 1$  GeV within a  $p_T$ -dependent cone up to  $\Delta R = 0.2$  ( $\Delta R = 0.3$ ) of the lepton, with the lepton candidate removed. Electrons must satisfy  $E_T^{\text{iso}}/p_T < 0.06$  and  $p_{T,e}^{\text{iso}}/p_T < 0.06$  [40], and muons must satisfy  $E_T^{\text{iso}}/p_T < 0.15$  and  $p_{T,\mu}^{\text{iso}}/p_T < 0.04$  [42].

Hadronic jets are used in the SR definition to veto events with jets containing  $b$ -hadrons. Jets are reconstructed using the anti- $k_t$  algorithm [43] with a distance parameter  $\Delta R = 0.4$ . The inputs to the jet algorithm are particle-flow objects [44], which make use of both the calorimeter and the ID information to precisely determine the momenta of the input particles. Reconstructed jets are required to have  $p_T > 20$  GeV and  $|\eta| < 4.5$ . Jets satisfying  $20 < p_T < 60$  GeV and  $|\eta| < 2.4$  must pass the *Tight* requirement on the *jet vertex tagger* variable [45] in order to suppress jets not originating from the primary vertex. Kinematic properties of  $b$ -flavored hadrons are used as input to a multivariate jet classification algorithm [46, 47]. This multivariate classification has a 77% efficiency and is used to identify jets with  $|\eta| < 2.5$  containing  $b$ -flavored hadrons. Events with jets containing  $b$ -flavored hadrons are rejected.

It is possible for tracks and energy deposits to be associated with more than one type of reconstructed object. To remove the overlap between different reconstructed objects in an event, the following selection criteria are applied in the order in which they are described: electrons are removed if they share an ID track

with a muon; photons are removed if they are within  $\Delta R = 0.4$  of an electron or a muon; jets are removed if they are within  $\Delta R = 0.2$  of an electron; electrons are removed if they are within  $\Delta R = 0.4$  of a jet; jets are removed if they are within  $\Delta R = 0.2$  of a muon; and finally photons and muons are removed if they are within  $\Delta R = 0.4$  of the remaining jets in the event.

The magnitude and direction of the missing transverse momentum are reconstructed using calibrated photons, electrons, muons, jets, and tracks from charged particles not associated to any object found in the event [48]. An ambiguity resolution procedure is performed as part of the calculation to ensure that energy deposits reconstructed as different objects are not double-counted. Events in the SR are required to satisfy  $E_T^{\text{miss}} > 25$  GeV. Additionally, the transverse mass of the  $W$  boson  $m_T^W = \sqrt{2p_T^\ell E_T^{\text{miss}}(1 - \cos \Delta\phi)}$  is required to be greater than 40 GeV, where  $\Delta\phi$  is defined as the difference in azimuthal angles between the lepton momentum and missing transverse momentum.

A set of  $Z\gamma$  veto requirements are implemented to greatly reduce the number of  $Z\gamma$  events passing the signal selection, which can occur when an electron is misidentified as a photon. All SR events must have  $p_{T,\ell\gamma\gamma} > 30$  GeV and  $m_{\ell\gamma\gamma}$ ,  $m_{\ell\gamma_1}$ , and  $m_{\ell\gamma_2} \notin [82, 100]$  GeV, where  $\gamma_1$  and  $\gamma_2$  are the leading and sub-leading photons ordered by  $p_T$ . The  $Z\gamma$  veto is applied to both the electron and muon channels to ensure a consistent event selection.

To reduce contributions from background events with a second lepton originating from processes with two  $W$  bosons or a  $Z$  boson, two additional selection criteria are applied. Events are rejected if they contain a second lepton, selected without the  $|d_0/\sigma_{d_0}|$  or isolation requirements, of opposite lepton flavor to the primary lepton that passes all SR selection criteria. A similar veto is enforced for events containing same-flavor leptons with the secondary lepton only required to satisfy  $p_T > 6$  GeV and pass *Loose (Medium)* identification for electrons [40] (muons [41]), where the lepton identification requirement is loosened to remove a significant fraction of the prompt background from the  $Z\gamma\gamma$  process.

Differences in the reconstruction, trigger, and selection efficiencies for leptons and photons between data and simulation are corrected for with scale factors [36, 37, 42, 49]. In addition to the SR defined in this section, other data samples are used to estimate backgrounds coming from misidentified objects using data-driven techniques, as described in Section 5.

## 5 Background Estimation

The largest background in the  $W\gamma\gamma$  SR consists of events in which one or both signal photons originate from a misidentified jet or neutral hadron decay. This hadronic fake photon background, denoted as  $j \rightarrow \gamma$ , is estimated using a data-driven two-dimensional template fit method similar to the procedures discussed in Refs. [5] and [50]. Data samples enhanced in misidentified jets are formed by selecting events in which at least one photon candidate passes the *Loose* photon identification requirement but fails one or more of the four EM shower-shape requirements used in the *Tight* (T) photon identification [38]; these are denoted as  $L'$  photons [49]. For the estimation of this source of background, events are still required to satisfy all other SR criteria except the photon isolation requirement. The electron and muon channels are combined to ensure a sufficient number of events pass selection requirements for the data samples. These events are categorized into four non-overlapping data samples, TT, TL', L'T, and L'L', depending whether the T or  $L'$  photon identification criteria is satisfied by the leading and subleading photon, respectively. Templates formed from photon isolation energy distributions in signal simulation and data samples are used to extract the  $j \rightarrow \gamma$  contribution in the SR. Templates for non-prompt leading and subleading photons



are built using one-dimensional Bukin functions [51], and their shape parameters are determined from fits to photon isolation energy distributions of data events in the L'T and TL' regions, respectively. The templates for leading (subleading) prompt photons are formed from double-sided crystal ball functions, whose shape parameters are fit to simulated  $W\gamma\gamma$  events in the TT and TL' (L'T) regions. Two-dimensional templates for prompt  $\gamma\gamma$ ,  $\gamma(j \rightarrow \gamma)$ , and  $(j \rightarrow \gamma)\gamma$  events are formed by taking the product of the two functions used to individually describe the isolation energy of the leading and subleading photons. Due to non-negligible correlations between the two photon candidates in the L'L' data sample, the two-dimensional template for  $(j \rightarrow \gamma)(j \rightarrow \gamma)$  events is instead formed by fitting a superposition of Gaussian kernels [52]. Finally, the expected number of events in the SR with at least one  $j \rightarrow \gamma$  photon is determined using a two-dimensional, extended maximum likelihood fit to data in the TT region that has simulated events from all other background processes with two prompt photons and one prompt lepton subtracted. Signal leakage in the TL', L'T, and L'L' regions is estimated and corrected for using MC simulation. In order to take into account the photon isolation requirement that is part of the SR definition, the contribution from  $j \rightarrow \gamma$  fake events in the SR is obtained by integrating the 2D photon isolation energy distributions fitted to data in the TT region up to the cut value that defines the SR,  $E_T^{\text{iso},\gamma} = 2.45$  GeV. The total  $j \rightarrow \gamma$  background is determined by the sum of the integrated, leakage-corrected coefficients of the  $\gamma(j \rightarrow \gamma)$ ,  $(j \rightarrow \gamma)\gamma$ , and  $(j \rightarrow \gamma)(j \rightarrow \gamma)$  templates. A systematic uncertainty due to the choice of photon  $L'$  identification is estimated by forming  $j \rightarrow \gamma$  templates with alternative identification working points and parameterizing the shape differences as uncertainties on the nominal Bukin template parameters. Statistical and systematic uncertainties on the templates are propagated through to the background estimates using a multivariate Gaussian constraint on the two-dimensional fit, resulting in an overall 11% systematic uncertainty on this background.

Events in which one or both photons are misidentified electrons constitute the  $e \rightarrow \gamma$  fake background. These misidentifications are caused mainly by tracking inefficiencies and the mismatching of tracks in the ID to energy clusters in the EM calorimeter. The background is estimated using a data-driven “fake-factor” method similar to the one described in Ref. [38]. The  $e \rightarrow \gamma$  fake rate is calculated with a tag-and-probe approach using both  $Z \rightarrow ee$  and  $Z \rightarrow e\gamma_e$  events, where  $\gamma_e$  symbolizes a misreconstructed electron identified as a photon. Probe electrons are selected with  $p_T > 20$  GeV, the likelihood-based *Tight* identification [40], and the same isolation requirement as SR electrons, such that their kinematics selection is close to the one for the photons used in the SR. The data sample used to calculate the  $e \rightarrow \gamma$  fake rate consists of events selected with single electron triggers that have a reconstructed  $ee/e\gamma_e$  invariant mass within 20 GeV of the  $Z$  boson mass, 91.2 GeV. Non-resonant backgrounds in this data sample are modeled using an exponential function, and the  $Z$  boson resonance is modeled by a Gaussian with double-sided exponential tails [53]. The number of  $ee$  ( $N_{ee}$ ) and  $e\gamma_e$  ( $N_{e\gamma_e}$ ) events are extracted using a combined signal and background fit to the invariant mass distributions in bins of  $p_T$  and  $\eta$ , and the fake factor is computed as  $f_{e \rightarrow \gamma_e} = N_{e\gamma_e}/N_{ee}$ . To estimate the  $e \rightarrow \gamma$  background in the SR, this fake factor is applied to a sample of  $W(\ell\nu)e\gamma$  events obtained by selecting data events with di-lepton triggers and substituting one SR photon requirement for that of a probe electron. Systematic uncertainties relating to the fitting and integration ranges around the  $Z$ -boson mass, the photon energy calibration, and the exponential background are propagated to the  $e \rightarrow \gamma$  background estimate. Statistical and systematic uncertainties are 2% and 7%, respectively, on the final SR  $e \rightarrow \gamma$  background estimate. A validation region dominated by events with  $e \rightarrow \gamma$  fakes is obtained by inverting the  $Z\gamma$ -veto in the SR and in the  $W(\ell\nu)e\gamma$  region. The background estimation method is shown to reproduce data in both of these validation regions.

The hadronic fake lepton background,  $j \rightarrow \ell$ , is comprised of events in which the signal lepton is either a misidentified jet or from the decay of a heavy-flavored hadron (non-prompt). This background is also estimated using a data-driven fake-factor [54] using an event sample that is enriched in non-prompt leptons.



This data sample is obtained by selecting  $Z(\ell\ell) + \ell_j$  events with single lepton triggers where the third lepton,  $\ell_j$ , is a misreconstructed jet. Two leptons must have an invariant mass within 10% of the  $Z$ -boson mass and be of the same flavor but opposite charge, while the third (probe) lepton must be of opposite lepton flavor in order to avoid ambiguity. Additional requirements of  $E_T^{\text{miss}} < 40$  GeV and  $m_T^W < 40$  GeV are imposed to reduce prompt leptons from  $WZ$  events, and remaining  $WZ$  events are subtracted from the data, relying on simulated predictions. The fake factor is defined as the ratio of the number of probe leptons satisfying the SR lepton criteria ( $N_{\text{SR}}$ ), to the number of probe leptons satisfying a *Loose* set of criteria ( $N_I$ ). This *Loose* criteria selects leptons more likely to be non-prompt by inverting the lepton  $|d_0/\sigma_{d_0}|$  and isolation requirements. The fake factor is estimated in bins of probe lepton  $p_T$  and  $|\eta|$  for electrons, and only in bins of  $p_T$  for muons due to statistical limitations. The  $j \rightarrow \ell$  fake background in the SR is estimated by applying the fake factor to a region kinematically adjacent to the SR. This region is defined with the same selection requirements as for the SR with the exception of the lepton selection, which uses the *Loose* selection criteria. Statistical and systematic uncertainties account for a 26% (27%) and 18% (50%) uncertainty in the electron (muon) channel, respectively. Systematic uncertainties relating to a bias in the control region due to the  $E_T^{\text{miss}}$  selection are computed by varying the requirement by  $\pm 10$  GeV [54], and theoretical uncertainties on the subtracted  $WZ$  events are propagated through to the fake factors. The method is validated in a region enriched in fake leptons obtained by inverting the  $E_T^{\text{miss}}$  and  $m_T^W$  requirements used in the SR and comparing the estimate to data.

The pileup background consists of events in which one or both photons do not originate from the primary vertex, mainly due to a limited photon pointing resolution. The fraction of photons originating from a pileup vertex is calculated in a subset of SR data where at least one photon is converted. Since the fraction of photons that convert is independent of their production vertex, the relative fractions of signal and pileup photons in the converted sample is representative of the fractional number of signal and pileup photons in the full SR. Converted photons that are required to have at least one ID track with silicon hits [49] and a conversion radius, defined as the radial distance of the conversion vertex, of less than 400 mm are used for this estimate because the presence of an ID track allows for the calculation of a longitudinal impact parameter. The difference between the longitudinal impact parameters of the converted photon and the primary vertex,  $\Delta z$ , is Gaussian-distributed and expected to be close to zero for photons from the hard scatter while the opposite is expected for pileup photons [55]. The  $|\Delta z| > 55$  mm tails of the distribution are used to estimate the fraction of pileup photons in the SR. The statistical uncertainty on the pileup background is 56%, due to the limited number of events in the estimation region.

Event yields in the SR from irreducible sources of background such as  $WH(\gamma\gamma)$ ,  $WW\gamma$ , and  $Z\gamma\gamma$  as well as  $t\tau\gamma$ ,  $tW\gamma$ , and  $tq\gamma$  are estimated using MC simulated samples. To further reduce uncertainties from the estimated  $t\tau\gamma$  event yield in the SR, a control region enhanced in  $t\tau\gamma$  events (TopCR) is defined to constrain the normalization factor that is left floating in the likelihood fit described in Section 7. The fitted  $t\tau\gamma$  normalization factor is cross-checked in a validation region (TopVR) formed by inverting the  $b$ -jet veto, the  $E_T^{\text{miss}}$ , and  $m_T^W$  in the SR selection requirements in order to select events with at least one  $b$ -jet,  $E_T^{\text{miss}} < 25$  GeV, and  $m_T^W < 40$  GeV. The  $j \rightarrow \gamma$  and  $e \rightarrow \gamma$  data-driven backgrounds are also computed in the TopCR and TopVR following the same methods outlined for the SR. Due to the reduced number of events in the  $L'$  regions, the photon identification systematic uncertainty is estimated using a dedicated procedure in the SR, and is  $+18\%/ -13\%$ . The  $j \rightarrow \ell$  and pileup backgrounds are negligible in both of these TopCR and TopVR regions.

## 6 Uncertainties

The background uncertainties described in Section 5 are the dominant uncertainties of this measurement (Table 2). In addition, several other important sources of uncertainty are assessed. These include instrumental uncertainties such as the energy scale and resolution of electrons and photons [49]; photon and lepton trigger, reconstruction, identification, and isolation efficiencies [36, 37, 41, 49]; jet energy scale and resolution [56]; jet vertex tagging [57, 58];  $b$ -jet identification [46]; missing transverse energy reconstruction [59]; and the luminosity of the dataset [12]. These are evaluated for both backgrounds and signal processes.

Additionally, theoretical uncertainties associated with the simulation of the signal and background processes are evaluated and propagated through to the measured fiducial cross section. Theoretical uncertainties on the background processes, but not signal processes, are propagated through to the measured signal strength. These include parton distribution function uncertainties [60]; the uncertainty on the strong coupling constant,  $\alpha_s$  [61]; and missing higher-order terms in the cross section calculations [62]. The last is evaluated by varying the renormalization and factorization scales independently by factors of 0.5 and 2, avoiding variations where the two scales differ by more than a factor of two.

Statistical uncertainties on the data, and signal and background MC samples are also taken into account. All of the previously described uncertainties are accounted for in the detector-to-fiducial region correction factor used for the unfolding procedure detailed in Section 7.

## 7 Results

The  $pp \rightarrow W\gamma\gamma$  signal strength  $\mu$  is extracted from the data using a binned maximum likelihood fit [63, 64] including the TopCR and the signal region. All uncertainties considered in the analysis are treated as nuisance parameters in the fit. Systematic uncertainties are constrained by Gaussian functions, and correlations between sources of systematic uncertainties are taken into account. Statistical uncertainties are also treated as nuisance parameters but are constrained by assigning a Poisson function to each analysis bin. These constraints penalize the likelihood fit if the estimated nuisance parameters pull from their measured values.

The TopCR is used to determine a  $t\bar{t}\gamma$  background<sup>2</sup> normalization factor  $\alpha_{t\bar{t}\gamma}$ . The normalization factor is allowed to float via a likelihood scan done simultaneously with the signal-strength extraction in the SR. The fit value of  $\alpha_{t\bar{t}\gamma}$  is then applied in the TopVR and the resulting total estimated yield is compared to data. Figure 2 illustrates the yields for the three regions TopCR, TopVR, and SR. The estimated yield in the TopVR region shows agreement with data.

Table 1 shows the post-fit yields of the signal and estimated backgrounds in the SR and TopCR, along with their sum and the number of selected data events. The signal strength and  $t\bar{t}\gamma$  normalization are determined to be  $\mu = 1.01^{+0.17}_{-0.16}$  and  $\alpha_{t\bar{t}\gamma} = 0.83^{+0.21}_{-0.25}$  and have been applied to the post-fit results. Assuming lepton universality and correct modeling of  $\tau$ -to- $e$  and  $\tau$ -to- $\mu$  decays, events from  $W(\tau\nu)\gamma\gamma$  with leptonic  $\tau$  decays that fall into the fit regions are included as a part of the signal in the fitting procedure and are normalized together with  $W(e\nu)\gamma\gamma$  and  $W(\mu\nu)\gamma\gamma$ . The fit results yield an expected and observed significance of 5.6 standard deviations, corresponding to the observation of the  $W\gamma\gamma$  process.

---

<sup>2</sup> Background from top processes  $tW\gamma$  and  $tq\gamma$  are small and are thus not included in the determination and application of  $\alpha_{t\bar{t}\gamma}$ .

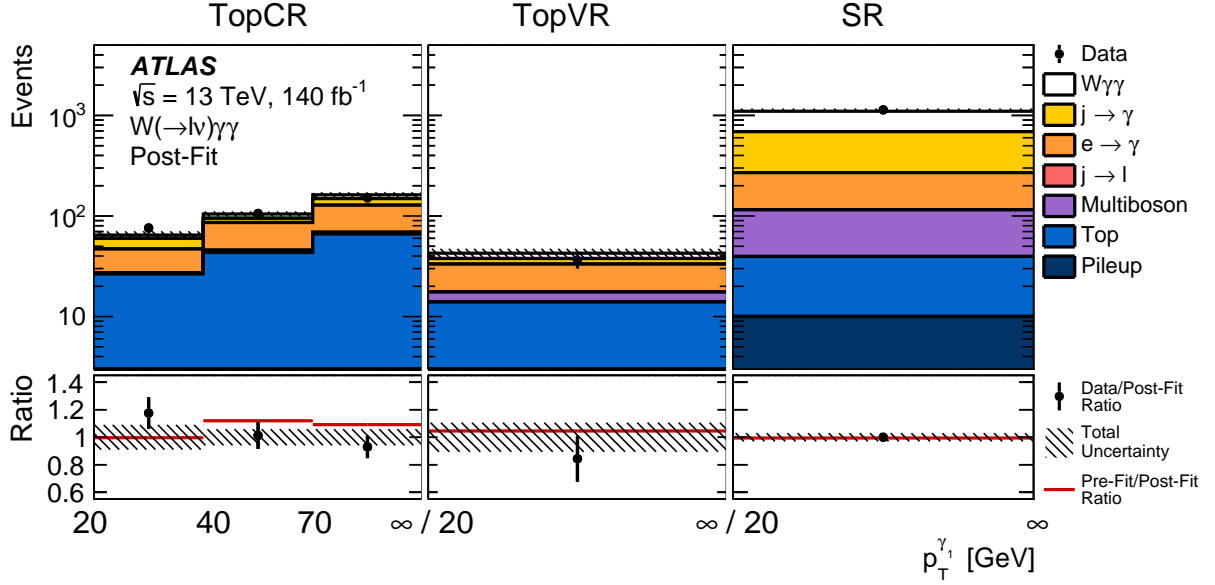


Figure 2: Data, and pre- and post-fit yields for TopCR, TopVR, and SR as a function of leading photon  $p_T$ . The error bars on data indicate its statistical uncertainty. The bottom panel shows the ratio of the data to the post-fit yield (black points) and the ratio of the pre-fit yield to the post-fit yield (solid line) for each of the regions. The uncertainty band includes both the statistical and systematic uncertainties obtained from the fit. The  $t\bar{t}\gamma$  background is scaled by the normalization factor  $\alpha_{t\bar{t}\gamma}$ , and the  $W(\ell\nu)\gamma\gamma$  prediction, by the signal strength  $\mu$ . Background contributions from pileup in TopCR and TopVR are neglected.

Table 1: Estimated signal and background yields in the SR and TopCR, as well as their sums, are shown post-fit together with the observed number of events in data. The uncertainties quoted in the table correspond to total uncertainties. Events from the “Multiboson” and “Top” backgrounds are estimated from MC simulation and contain only prompt leptons and photons. Yields denoted with “–” correspond to backgrounds that are negligible.

Source	SR	TopCR
$W\gamma\gamma$	$410 \pm 60$	$28 \pm 5$
Non-prompt $j \rightarrow \gamma$	$420 \pm 50$	$42 \pm 20$
Misidentified $e \rightarrow \gamma$	$155 \pm 11$	$120 \pm 9$
Multiboson ( $WH(\gamma\gamma)$ , $WW\gamma$ , $Z\gamma\gamma$ )	$76 \pm 13$	$5.2 \pm 1.7$
Non-prompt $j \rightarrow \ell$	$35 \pm 10$	–
Top ( $t\bar{t}\gamma$ , $tW\gamma$ , $tq\gamma$ )	$30 \pm 7$	$136 \pm 32$
Pileup	$10 \pm 5$	–
Total	$1\,136 \pm 34$	$332 \pm 18$
Data	1\,136	333

In order to obtain an unfolded production cross section measurement, a fiducial phase space is defined to be as close as possible to the SR event sample selected at detector-level. Fiducial requirements are applied to dressed leptons, which are particle-level electrons and muons recombined with radiated photons within a cone of  $\Delta R = 0.1$ . Events are required to have a dressed electron or muon with  $p_T > 25$  GeV and  $|\eta| < 2.47$  while the two particle-level photons must satisfy  $p_T > 20$  GeV and  $|\eta| < 2.37$ . Additionally, photons must satisfy the isolation requirement  $(E_T^{\text{cone, gen.}} - 0.039 \times E_T) < 6.2$  GeV, where  $E_T^{\text{cone, gen.}}$  is

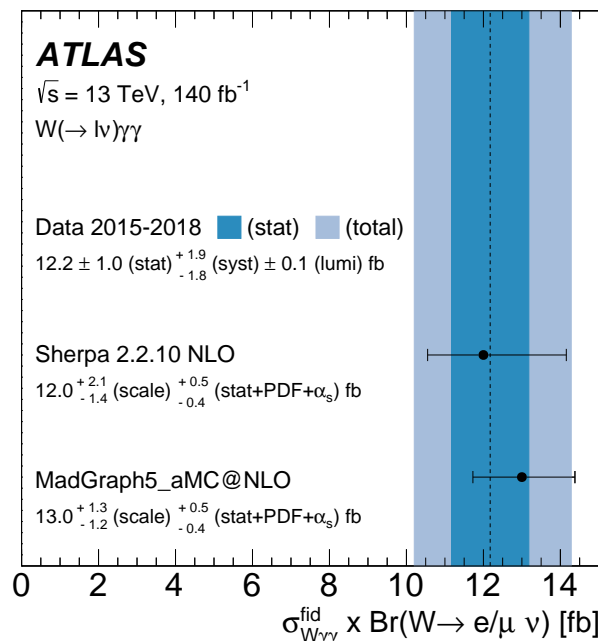


Figure 3: The measured fiducial  $W(\rightarrow e\nu/\mu\nu)\gamma\gamma$  integrated cross section compared with both the signal event generator predictions.

computed from the vector momentum sum of all stable, generator-level particles within  $\Delta R = 0.4$  of the photon. This isolation requirement is derived to vary with photon  $E_T$  to mimic the detector-level isolation requirement. Additionally, two separation requirements are applied to the two photons and between the lepton and each photon:  $\Delta R_{\gamma\gamma} > 0.4$  and  $\Delta R_{\ell\gamma} > 0.4$ . Finally, fiducial events must satisfy  $E_T^{\text{miss}} > 25 \text{ GeV}$ ,  $m_T^W > 40 \text{ GeV}$ , and a veto on  $b$ -jets with  $p_T > 20 \text{ GeV}$  and  $|\eta| < 2.5$ . The unfolding is performed into a fiducial phase space with  $W \rightarrow \mu\nu$  and  $W \rightarrow e\nu$  decays;  $W \rightarrow \tau\nu$  decays that pass these requirements, including events in which the tau decays leptonically, are not considered as part of the fiducial phase space.

Unfolding is performed on the measurement using the same maximum likelihood method used to perform the signal-strength extraction. A correction factor  $C$  is calculated as the ratio of the number of signal MC events reconstructed in the signal region to the predicted in the fiducial phase-space. The number of detector-level events is defined as the sum of simulated MC events with two photons and  $W$ -boson decaying into an electron, muon, or leptonically decaying tau that pass all signal region requirements. The number of fiducial events is calculated using only simulated  $W(e\nu)\gamma\gamma$  and  $W(\mu\nu)\gamma\gamma$  signal MC events, where the electron or muon is prompt. The correction factor is computed to be  $C = 0.238 \pm 0.004 \text{ (stat.)}$  using the SHERPA NLO signal MC samples; a 2.6% relative difference is found when calculating  $C$  with MADGRAPH signal MC samples, which is in statistical agreement and thus no generator choice uncertainty is added. In the likelihood fit, the total number of expected signal events is defined as  $N_{\text{sig}} = C \sigma_{\text{pred}}^{e/\mu} \mathcal{L}$ . The signal production cross section is measured in the fiducial phase space from the number of signal events observed in data, the integrated luminosity, and the correction factor. The measured fiducial cross section for  $W(e/\mu\nu)\gamma\gamma$  events is determined to be  $\sigma_{\text{fid}} = 12.2 \pm 1.0 \text{ (stat)}^{+1.9}_{-1.8} \text{ (syst)} \pm 0.1 \text{ (lumi) fb}$  and it is in close agreement with SM predictions as shown in Figure 3.

Table 2: Major sources of uncertainty and their impacts on the measured fiducial cross section, as calculated from the correlation matrix of the fiducial cross section fit. Squared values of impacts are determined by setting all nuisance parameters for a given uncertainty source to their best-fit value and subtracting the resulting squared value of the total uncertainty from the squared value of the total uncertainty in the nominal fit. Systematic uncertainty sources that contribute less than 0.1% are not shown. Efficiency uncertainties include, where applicable, uncertainties on data-MC agreement due to reconstruction, trigger selection, identification, isolation, and vertex-matching.

Source of uncertainty	Impact [%]
$j \rightarrow \gamma$ data-driven background estimate	12
Photon efficiency	4.5
Other data-driven background estimates	3.5
Signal MC theoretical modeling	3.3
Background MC theoretical modeling	3.0
Monte Carlo statistics	2.8
Jet efficiency and calibration	2.4
Top normalization	2.4
Pileup reweighting	1.6
$E_T^{\text{miss}}$ calibration	1.4
Muon efficiency and calibration	1.4
Luminosity	1.0
Electron and photon calibration	0.7
Flavor tagging efficiency	0.6
Systematic	15
Statistical	8.3
Total	17

In Table 2, the dominant sources of uncertainty and their impact on the fiducial cross section are listed. The uncertainties are grouped into common categories, where the impact of each group is calculated by performing the likelihood fit without the grouped parameters. For each grouping, the square value of the new overall fit uncertainty is subtracted from the squared value of the nominal fit uncertainty to obtain the squared value of the impact of the grouped uncertainties. This is done under the assumption that the nuisance parameters are uncorrelated. When a parameter is excluded from the fit it is fixed to its best-fit value from the nominal fit. The largest source of systematic uncertainty is due to the  $j \rightarrow \gamma$  data-driven background estimate, followed by the statistical uncertainty on data. The modeling of the identification, isolation, and trigger efficiencies to select photons in simulated  $W\gamma\gamma$  events also represents a substantial source of uncertainty, and together these comprise the “Photon efficiency” uncertainty source in Table 2.

## 8 Conclusion

This letter reports the observation and measurement of the process  $pp \rightarrow W(\ell\nu)\gamma\gamma$  by the ATLAS experiment at the LHC. Leptonic decays of the  $W$  boson to an electron or a muon accompanied by two photons are selected from the  $140 \text{ fb}^{-1}$  Run 2 dataset of proton-proton collisions at  $\sqrt{s} = 13 \text{ TeV}$  produced by the LHC. A maximum likelihood fit of the signal and background yields leads to a rejection of the background-only hypothesis with an observed and expected significance of 5.6 standard deviations. The measured

fiducial cross section for  $W(e\nu)\gamma\gamma$  and  $W(\mu\nu)\gamma\gamma$  events is  $\sigma_{\text{fid}} = 12.2 \pm 1.0(\text{stat})_{-1.8}^{+1.9}(\text{syst}) \pm 0.1(\text{lumi})$  fb, in agreement with the SM prediction for this process. The dominant sources of uncertainty come from the data-driven background estimates and the statistical uncertainty on data.

## Acknowledgements

We thank CERN for the very successful operation of the LHC, as well as the support staff from our institutions without whom ATLAS could not be operated efficiently.

We acknowledge the support of ANPCyT, Argentina; YerPhI, Armenia; ARC, Australia; BMWFW and FWF, Austria; ANAS, Azerbaijan; CNPq and FAPESP, Brazil; NSERC, NRC and CFI, Canada; CERN; ANID, Chile; CAS, MOST and NSFC, China; Minciencias, Colombia; MEYS CR, Czech Republic; DNRF and DNSRC, Denmark; IN2P3-CNRS and CEA-DRF/IRFU, France; SRNSFG, Georgia; BMBF, HGF and MPG, Germany; GSRI, Greece; RGC and Hong Kong SAR, China; ISF and Benozio Center, Israel; INFN, Italy; MEXT and JSPS, Japan; CNRST, Morocco; NWO, Netherlands; RCN, Norway; MEiN, Poland; FCT, Portugal; MNE/IFA, Romania; MESTD, Serbia; MSSR, Slovakia; ARRS and MIZŠ, Slovenia; DSI/NRF, South Africa; MICINN, Spain; SRC and Wallenberg Foundation, Sweden; SERI, SNSF and Cantons of Bern and Geneva, Switzerland; MOST, Taiwan; TENMAK, Türkiye; STFC, United Kingdom; DOE and NSF, United States of America. In addition, individual groups and members have received support from BCKDF, CANARIE, Compute Canada and CRC, Canada; PRIMUS 21/SCI/017 and UNCE SCI/013, Czech Republic; COST, ERC, ERDF, Horizon 2020 and Marie Skłodowska-Curie Actions, European Union; Investissements d’Avenir Labex, Investissements d’Avenir IDEX and ANR, France; DFG and AvH Foundation, Germany; Herakleitos, Thales and Aristeia programmes co-financed by EU-ESF and the Greek NSRF, Greece; BSF-NSF and MINERVA, Israel; Norwegian Financial Mechanism 2014–2021, Norway; NCN and NAWA, Poland; La Caixa Banking Foundation, CERCA Programme Generalitat de Catalunya and PROMETEO and GenT Programmes Generalitat Valenciana, Spain; Göran Gustafssons Stiftelse, Sweden; The Royal Society and Leverhulme Trust, United Kingdom.

The crucial computing support from all WLCG partners is acknowledged gratefully, in particular from CERN, the ATLAS Tier-1 facilities at TRIUMF (Canada), NDGF (Denmark, Norway, Sweden), CC-IN2P3 (France), KIT/GridKA (Germany), INFN-CNAF (Italy), NL-T1 (Netherlands), PIC (Spain), ASGC (Taiwan), RAL (UK) and BNL (USA), the Tier-2 facilities worldwide and large non-WLCG resource providers. Major contributors of computing resources are listed in Ref. [65].

## References

- [1] C. Degrande et al., *Effective Field Theory: A Modern Approach to Anomalous Couplings*, *Annals Phys.* **335** (2013) 21, arXiv: [1205.4231](#) [[hep-ph](#)].
- [2] A. Falkowski, M. Gonzalez-Alonso, A. Greljo, D. Marzocca, and M. Son, *Anomalous Triple Gauge Couplings in the Effective Field Theory Approach at the LHC*, *JHEP* **02** (2017) 115, arXiv: [1609.06312](#) [[hep-ph](#)].
- [3] O. J. P. Eboli, M. C. Gonzalez-Garcia, and S. M. Lietti, *Bosonic quartic couplings at CERN LHC*, *Phys. Rev. D* **69** (2004) 095005, arXiv: [hep-ph/0310141](#).



- [4] ATLAS Collaboration, *Measurement of the properties of Higgs boson production at  $\sqrt{s} = 13$  TeV in the  $H \rightarrow \gamma\gamma$  channel using  $139\text{fb}^{-1}$  of  $pp$  collision data with the ATLAS experiment*, (2022), arXiv: [2207.00348 \[hep-ex\]](#).
- [5] ATLAS Collaboration, *Evidence of  $W\gamma\gamma$  Production in  $pp$  Collisions at  $\sqrt{s} = 8$  TeV and Limits on Anomalous Quartic Gauge Couplings with the ATLAS Detector*, *Phys. Rev. Lett.* **115** (2015) 031802, arXiv: [1503.03243 \[hep-ex\]](#).
- [6] CMS Collaboration, *Measurements of the  $pp \rightarrow W\gamma\gamma$  and  $pp \rightarrow Z\gamma\gamma$  cross sections and limits on anomalous quartic gauge couplings at  $\sqrt{s} = 8$  TeV*, *JHEP* **10** (2017) 072, arXiv: [1704.00366 \[hep-ex\]](#).
- [7] CMS Collaboration, *Measurements of the  $pp \rightarrow W^\pm\gamma\gamma$  and  $pp \rightarrow Z\gamma\gamma$  cross sections at  $\sqrt{s} = 13$  TeV and limits on anomalous quartic gauge couplings*, *JHEP* **10** (2021) 174, arXiv: [2105.12780 \[hep-ex\]](#).
- [8] ATLAS Collaboration, *The ATLAS Experiment at the CERN Large Hadron Collider*, *JINST* **3** (2008) S08003.
- [9] ATLAS Collaboration, *The ATLAS Collaboration Software and Firmware*, ATL-SOFT-PUB-2021-001, 2021, URL: <https://cds.cern.ch/record/2767187>.
- [10] ATLAS Collaboration, *Luminosity determination in  $pp$  collisions at  $\sqrt{s} = 13$  TeV using the ATLAS detector at the LHC*, ATL-CONF-2019-021, 2019, URL: <https://cds.cern.ch/record/2677054>.
- [11] ATLAS Collaboration, *ATLAS data quality operations and performance for 2015–2018 data-taking*, *JINST* **15** (2020) P04003, arXiv: [1911.04632 \[physics.ins-det\]](#).
- [12] ATLAS Collaboration, *Luminosity determination in  $pp$  collisions at  $\sqrt{s} = 13$  TeV using the ATLAS detector at the LHC*, (2022), arXiv: [2212.09379 \[hep-ex\]](#).
- [13] G. Avoni et al., *The new LUCID-2 detector for luminosity measurement and monitoring in ATLAS*, *JINST* **13** (2018) P07017.
- [14] E. Bothmann et al., *Event generation with Sherpa 2.2*, *SciPost Phys.* **7** (2019) 034, arXiv: [1905.09127 \[hep-ph\]](#).
- [15] T. Gleisberg and S. Höche, *Comix, a new matrix element generator*, *JHEP* **12** (2008) 039, arXiv: [0808.3674 \[hep-ph\]](#).
- [16] F. Cascioli, P. Maierhöfer, and S. Pozzorini, *Scattering Amplitudes with Open Loops*, *Phys. Rev. Lett.* **108** (2012) 111601, arXiv: [1111.5206 \[hep-ph\]](#).
- [17] F. Buccioni et al., *OpenLoops 2*, *Eur. Phys. J. C* **79** (2019) 866, arXiv: [1907.13071 \[hep-ph\]](#).
- [18] A. Denner, S. Dittmaier, and L. Hofer, *COLLIER: A fortran-based complex one-loop library in extended regularizations*, *Comput. Phys. Commun.* **212** (2017) 220, arXiv: [1604.06792 \[hep-ph\]](#).
- [19] S. Schumann and F. Krauss, *A parton shower algorithm based on Catani–Seymour dipole factorisation*, *JHEP* **03** (2008) 038, arXiv: [0709.1027 \[hep-ph\]](#).
- [20] S. Catani, F. Krauss, B. R. Webber, and R. Kuhn, *QCD Matrix Elements + Parton Showers*, *JHEP* **11** (2001) 063, arXiv: [hep-ph/0109231](#).

- [21] S. Höche, F. Krauss, S. Schumann, and F. Siegert, *QCD matrix elements and truncated showers*, [JHEP \*\*05\*\* \(2009\) 053](#), arXiv: [0903.1219 \[hep-ph\]](#).
- [22] S. Höche, F. Krauss, M. Schönherr, and F. Siegert, *A critical appraisal of NLO+PS matching methods*, [JHEP \*\*09\*\* \(2012\) 049](#), arXiv: [1111.1220 \[hep-ph\]](#).
- [23] S. Höche, F. Krauss, M. Schönherr, and F. Siegert, *QCD matrix elements + parton showers. The NLO case*, [JHEP \*\*04\*\* \(2013\) 027](#), arXiv: [1207.5030 \[hep-ph\]](#).
- [24] The NNPDF Collaboration, R. D. Ball, et al., *Parton distributions for the LHC run II*, [JHEP \*\*04\*\* \(2015\) 040](#), arXiv: [1410.8849 \[hep-ph\]](#).
- [25] S. Kallweit, J. M. Lindert, P. Maierhöfer, S. Pozzorini, and M. Schönherr, *NLO electroweak automation and precise predictions for W+multijet production at the LHC*, [JHEP \*\*04\*\* \(2015\) 012](#), arXiv: [1412.5157 \[hep-ph\]](#).
- [26] S. Alioli, P. Nason, C. Oleari, and E. Re, *A general framework for implementing NLO calculations in shower Monte Carlo programs: the POWHEG BOX*, [JHEP \*\*06\*\* \(2010\) 043](#), arXiv: [1002.2581 \[hep-ph\]](#).
- [27] T. Sjöstrand, S. Mrenna, and P. Skands, *A brief introduction to PYTHIA 8.1*, [Comput. Phys. Commun. \*\*178\*\* \(2008\) 852](#), arXiv: [0710.3820 \[hep-ph\]](#).
- [28] S. Mrenna and P. Skands, *Automated parton-shower variations in PYTHIA 8*, [Phys. Rev. D \*\*94\*\* \(2016\) 074005](#), arXiv: [1605.08352 \[hep-ph\]](#).
- [29] ATLAS Collaboration, *Measurement of the Z/ $\gamma^*$  boson transverse momentum distribution in pp collisions at  $\sqrt{s} = 7$  TeV with the ATLAS detector*, [JHEP \*\*09\*\* \(2014\) 145](#), arXiv: [1406.3660 \[hep-ex\]](#).
- [30] J. Alwall et al., *The automated computation of tree-level and next-to-leading order differential cross sections, and their matching to parton shower simulations*, [JHEP \*\*07\*\* \(2014\) 079](#), arXiv: [1405.0301 \[hep-ph\]](#).
- [31] NNPDF Collaboration, R. D. Ball, et al., *Parton distributions with LHC data*, [Nucl. Phys. B \*\*867\*\* \(2013\) 244](#), arXiv: [1207.1303 \[hep-ph\]](#).
- [32] ATLAS Collaboration, *ATLAS Pythia 8 tunes to 7 TeV data*, ATL-PHYS-PUB-2014-021, 2014, URL: <https://cds.cern.ch/record/1966419>.
- [33] ATLAS Collaboration, *The ATLAS Simulation Infrastructure*, [Eur. Phys. J. C \*\*70\*\* \(2010\) 823](#), arXiv: [1005.4568 \[physics.ins-det\]](#).
- [34] S. Agostinelli et al., *GEANT4 – a simulation toolkit*, [Nucl. Instrum. Meth. A \*\*506\*\* \(2003\) 250](#).
- [35] ATLAS Collaboration, *The Pythia 8 A3 tune description of ATLAS minimum bias and inelastic measurements incorporating the Donnachie–Landshoff diffractive model*, ATL-PHYS-PUB-2016-017, 2016, URL: <https://cds.cern.ch/record/2206965>.
- [36] ATLAS Collaboration, *Performance of the ATLAS muon triggers in Run 2*, [JINST \*\*15\*\* \(2020\) P09015](#), arXiv: [2004.13447 \[hep-ex\]](#).
- [37] ATLAS Collaboration, *Performance of electron and photon triggers in ATLAS during LHC Run 2*, [Eur. Phys. J. C \*\*80\*\* \(2020\) 47](#), arXiv: [1909.00761 \[hep-ex\]](#).

- [38] ATLAS Collaboration, *Measurement of the photon identification efficiencies with the ATLAS detector using LHC Run 2 data collected in 2015 and 2016*, *Eur. Phys. J. C* **79** (2019) 205, arXiv: [1810.05087 \[hep-ex\]](#).
- [39] ATLAS Collaboration, *Topological cell clustering in the ATLAS calorimeters and its performance in LHC Run 1*, *Eur. Phys. J. C* **77** (2017) 490, arXiv: [1603.02934 \[hep-ex\]](#).
- [40] ATLAS Collaboration, *Electron reconstruction and identification in the ATLAS experiment using the 2015 and 2016 LHC proton–proton collision data at  $\sqrt{s} = 13$  TeV*, *Eur. Phys. J. C* **79** (2019) 639, arXiv: [1902.04655 \[hep-ex\]](#).
- [41] ATLAS Collaboration, *Muon reconstruction performance of the ATLAS detector in proton–proton collision data at  $\sqrt{s} = 13$  TeV*, *Eur. Phys. J. C* **76** (2016) 292, arXiv: [1603.05598 \[hep-ex\]](#).
- [42] ATLAS Collaboration, *Muon reconstruction and identification efficiency in ATLAS using the full Run 2  $pp$  collision data set at  $\sqrt{s} = 13$  TeV*, *Eur. Phys. J. C* **81** (2021) 578, arXiv: [2012.00578 \[hep-ex\]](#).
- [43] M. Cacciari, G. P. Salam, and G. Soyez, *The anti- $k_t$  jet clustering algorithm*, *JHEP* **04** (2008) 063, arXiv: [0802.1189 \[hep-ph\]](#).
- [44] ATLAS Collaboration, *Jet reconstruction and performance using particle flow with the ATLAS Detector*, *Eur. Phys. J. C* **77** (2017) 466, arXiv: [1703.10485 \[hep-ex\]](#).
- [45] ATLAS Collaboration, *Performance of pile-up mitigation techniques for jets in  $pp$  collisions at  $\sqrt{s} = 8$  TeV using the ATLAS detector*, *Eur. Phys. J. C* **76** (2016) 581, arXiv: [1510.03823 \[hep-ex\]](#).
- [46] ATLAS Collaboration, *ATLAS  $b$ -jet identification performance and efficiency measurement with  $t\bar{t}$  events in  $pp$  collisions at  $\sqrt{s} = 13$  TeV*, *Eur. Phys. J. C* **79** (2019) 970, arXiv: [1907.05120 \[hep-ex\]](#).
- [47] ATLAS Collaboration, *Performance of  $b$ -jet identification in the ATLAS experiment*, *JINST* **11** (2016) P04008, arXiv: [1512.01094 \[hep-ex\]](#).
- [48] ATLAS Collaboration,  *$E_T^{miss}$  performance in the ATLAS detector using 2015–2016 LHC  $pp$  collisions*, ATLAS-CONF-2018-023, 2018, URL: <https://cds.cern.ch/record/2625233>.
- [49] ATLAS Collaboration, *Electron and photon performance measurements with the ATLAS detector using the 2015–2017 LHC proton–proton collision data*, *JINST* **14** (2019) P12006, arXiv: [1908.00005 \[hep-ex\]](#).
- [50] ATLAS Collaboration, *Measurement of the isolated diphoton cross section in  $pp$  collisions at  $\sqrt{s} = 7$  TeV with the ATLAS detector*, *Phys. Rev. D* **85** (2012) 012003, arXiv: [1107.0581 \[hep-ex\]](#).
- [51] A. D. Bukin, *Fitting function for asymmetric peaks*, (2007), arXiv: [0711.4449 \[physics.data-an\]](#).
- [52] K. S. Cranmer, *Kernel estimation in high-energy physics*, *Comput. Phys. Commun.* **136** (2001) 198, arXiv: [hep-ex/0011057](#).
- [53] S. Das, *A simple alternative to the Crystal Ball function*, (2016), arXiv: [1603.08591 \[hep-ex\]](#).

- [54] ATLAS Collaboration, *Tools for estimating fake/non-prompt lepton backgrounds with the ATLAS detector at the LHC*, (2022), arXiv: [2211.16178](https://arxiv.org/abs/2211.16178) [[hep-ex](#)].
- [55] ATLAS Collaboration, *Measurement of the  $Z(\rightarrow \ell^+\ell^-)\gamma$  production cross-section in  $pp$  collisions at  $\sqrt{s} = 13$  TeV with the ATLAS detector*, *JHEP* **03** (2020) 054, arXiv: [1911.04813](https://arxiv.org/abs/1911.04813) [[hep-ex](#)].
- [56] ATLAS Collaboration, *Jet energy scale and resolution measured in proton–proton collisions at  $\sqrt{s} = 13$  TeV with the ATLAS detector*, *Eur. Phys. J. C* **81** (2020) 689, arXiv: [2007.02645](https://arxiv.org/abs/2007.02645) [[hep-ex](#)].
- [57] ATLAS Collaboration, *Tagging and suppression of pileup jets*, ATL-PHYS-PUB-2014-001, 2014, URL: <https://cds.cern.ch/record/1643929>.
- [58] ATLAS Collaboration, *Identification and rejection of pile-up jets at high pseudorapidity with the ATLAS detector*, *Eur. Phys. J. C* **77** (2017) 580, arXiv: [1705.02211](https://arxiv.org/abs/1705.02211) [[hep-ex](#)], Erratum: *Eur. Phys. J. C* **77** (2017) 712.
- [59] ATLAS Collaboration, *Performance of missing transverse momentum reconstruction with the ATLAS detector using proton–proton collisions at  $\sqrt{s} = 13$  TeV*, *Eur. Phys. J. C* **78** (2018) 903, arXiv: [1802.08168](https://arxiv.org/abs/1802.08168) [[hep-ex](#)].
- [60] J. Butterworth et al., *PDF4LHC recommendations for LHC Run II*, *J. Phys. G* **43** (2016) 023001, arXiv: [1510.03865](https://arxiv.org/abs/1510.03865) [[hep-ph](#)].
- [61] A. D. Martin, W. J. Stirling, R. S. Thorne, and G. Watt, *Uncertainties on  $\alpha_S$  in global PDF analyses and implications for predicted hadronic cross sections*, *Eur. Phys. J. C* **64** (2009) 653, arXiv: [0905.3531](https://arxiv.org/abs/0905.3531) [[hep-ph](#)].
- [62] ATLAS Collaboration, *Multi-boson simulation for 13 TeV ATLAS analyses*, ATL-PHYS-PUB-2016-002, 2016, URL: <https://cds.cern.ch/record/2119986>.
- [63] K. Cranmer, G. Lewis, L. Moneta, A. Shibata, and W. Verkerke, *HistFactory: A tool for creating statistical models for use with RooFit and RooStats*, tech. rep., New York U., 2012, URL: <https://cds.cern.ch/record/1456844>.
- [64] F. James and M. Roos, *Minuit: A System for Function Minimization and Analysis of the Parameter Errors and Correlations*, *Comput. Phys. Commun.* **10** (1975) 343.
- [65] ATLAS Collaboration, *ATLAS Computing Acknowledgements*, ATL-SOFT-PUB-2021-003, 2021, URL: <https://cds.cern.ch/record/2776662>.

## The ATLAS Collaboration

G. Aad <sup>103</sup>, B. Abbott <sup>121</sup>, K. Abeling <sup>55</sup>, N.J. Abicht <sup>49</sup>, S.H. Abidi <sup>29</sup>, A. Aboulhorma <sup>35e</sup>, H. Abramowicz <sup>152</sup>, H. Abreu <sup>151</sup>, Y. Abulaiti <sup>118</sup>, A.C. Abusleme Hoffman <sup>138a</sup>, B.S. Acharya <sup>69a,69b,p</sup>, C. Adam Bourdarios <sup>4</sup>, L. Adamczyk <sup>86a</sup>, L. Adamek <sup>156</sup>, S.V. Addepalli <sup>26</sup>, M.J. Addison <sup>102</sup>, J. Adelman <sup>116</sup>, A. Adiguzel <sup>21c</sup>, T. Adye <sup>135</sup>, A.A. Affolder <sup>137</sup>, Y. Afik <sup>36</sup>, M.N. Agaras <sup>13</sup>, J. Agarwala <sup>73a,73b</sup>, A. Aggarwal <sup>101</sup>, C. Agheorghiesei <sup>27c</sup>, A. Ahmad <sup>36</sup>, F. Ahmadov <sup>38,ad</sup>, W.S. Ahmed <sup>105</sup>, S. Ahuja <sup>96</sup>, X. Ai <sup>62a</sup>, G. Aielli <sup>76a,76b</sup>, M. Ait Tamlihat <sup>35e</sup>, B. Aitbenkikh <sup>35a</sup>, I. Aizenberg <sup>170</sup>, M. Akbiyik <sup>101</sup>, T.P.A. Åkesson <sup>99</sup>, A.V. Akimov <sup>37</sup>, D. Akiyama <sup>169</sup>, N.N. Akolkar <sup>24</sup>, K. Al Khoury <sup>41</sup>, G.L. Alberghi <sup>23b</sup>, J. Albert <sup>166</sup>, P. Albicocco <sup>53</sup>, G.L. Albouy <sup>60</sup>, S. Alderweireldt <sup>52</sup>, M. Aleksa <sup>36</sup>, I.N. Aleksandrov <sup>38</sup>, C. Alexa <sup>27b</sup>, T. Alexopoulos <sup>10</sup>, A. Alfonsi <sup>115</sup>, F. Alfonsi <sup>23b</sup>, M. Algren <sup>56</sup>, M. Alhroob <sup>121</sup>, B. Ali <sup>133</sup>, H.M.J. Ali <sup>92</sup>, S. Ali <sup>149</sup>, S.W. Alibocus <sup>93</sup>, M. Aliev <sup>37</sup>, G. Alimonti <sup>71a</sup>, W. Alkahi <sup>55</sup>, C. Allaire <sup>66</sup>, B.M.M. Allbrooke <sup>147</sup>, J.F. Allen <sup>52</sup>, C.A. Allendes Flores <sup>138f</sup>, P.P. Allport <sup>20</sup>, A. Aloisio <sup>72a,72b</sup>, F. Alonso <sup>91</sup>, C. Alpigiani <sup>139</sup>, M. Alvarez Estevez <sup>100</sup>, A. Alvarez Fernandez <sup>101</sup>, M.G. Alvigi <sup>72a,72b</sup>, M. Aly <sup>102</sup>, Y. Amaral Coutinho <sup>83b</sup>, A. Ambler <sup>105</sup>, C. Amelung <sup>36</sup>, M. Amerl <sup>102</sup>, C.G. Ames <sup>110</sup>, D. Amidei <sup>107</sup>, S.P. Amor Dos Santos <sup>131a</sup>, K.R. Amos <sup>164</sup>, V. Ananiev <sup>126</sup>, C. Anastopoulos <sup>140</sup>, T. Andeen <sup>11</sup>, J.K. Anders <sup>36</sup>, S.Y. Andreev <sup>47a,47b</sup>, A. Andreazza <sup>71a,71b</sup>, S. Angelidakis <sup>9</sup>, A. Angerami <sup>41,ag</sup>, A.V. Anisenkov <sup>37</sup>, A. Annovi <sup>74a</sup>, C. Antel <sup>56</sup>, M.T. Anthony <sup>140</sup>, E. Antipov <sup>146</sup>, M. Antonelli <sup>53</sup>, D.J.A. Antrim <sup>17a</sup>, F. Anulli <sup>75a</sup>, M. Aoki <sup>84</sup>, T. Aoki <sup>154</sup>, J.A. Aparisi Pozo <sup>164</sup>, M.A. Aparo <sup>147</sup>, L. Aperio Bella <sup>48</sup>, C. Appelt <sup>18</sup>, A. Apyan <sup>26</sup>, N. Aranzabal <sup>36</sup>, C. Arcangeletti <sup>53</sup>, A.T.H. Arce <sup>51</sup>, E. Arena <sup>93</sup>, J-F. Arguin <sup>109</sup>, S. Argyropoulos <sup>54</sup>, J.-H. Arling <sup>48</sup>, A.J. Armbruster <sup>36</sup>, O. Arnaez <sup>4</sup>, H. Arnold <sup>115</sup>, Z.P. Arrubarrena Tame <sup>110</sup>, G. Artoni <sup>75a,75b</sup>, H. Asada <sup>112</sup>, K. Asai <sup>119</sup>, S. Asai <sup>154</sup>, N.A. Asbah <sup>61</sup>, J. Assahsah <sup>35d</sup>, K. Assamagan <sup>29</sup>, R. Astalos <sup>28a</sup>, S. Atashi <sup>161</sup>, R.J. Atkin <sup>33a</sup>, M. Atkinson <sup>163</sup>, N.B. Atlay <sup>18</sup>, H. Atmani <sup>62b</sup>, P.A. Atmasiddha <sup>107</sup>, K. Augsten <sup>133</sup>, S. Auricchio <sup>72a,72b</sup>, A.D. Auriol <sup>20</sup>, V.A. Austrup <sup>102</sup>, G. Avolio <sup>36</sup>, K. Axiotis <sup>56</sup>, G. Azuelos <sup>109,ak</sup>, D. Babal <sup>28b</sup>, H. Bachacou <sup>136</sup>, K. Bachas <sup>153,t</sup>, A. Bachiu <sup>34</sup>, F. Backman <sup>47a,47b</sup>, A. Badea <sup>61</sup>, P. Bagnaia <sup>75a,75b</sup>, M. Bahmani <sup>18</sup>, A.J. Bailey <sup>164</sup>, V.R. Bailey <sup>163</sup>, J.T. Baines <sup>135</sup>, L. Baines <sup>95</sup>, C. Bakalis <sup>10</sup>, O.K. Baker <sup>173</sup>, E. Bakos <sup>15</sup>, D. Bakshi Gupta <sup>8</sup>, R. Balasubramanian <sup>115</sup>, E.M. Baldin <sup>37</sup>, P. Balek <sup>86a</sup>, E. Ballabene <sup>23b,23a</sup>, F. Balli <sup>136</sup>, L.M. Baltes <sup>63a</sup>, W.K. Balunas <sup>32</sup>, J. Balz <sup>101</sup>, E. Banas <sup>87</sup>, M. Bandieramonte <sup>130</sup>, A. Bandyopadhyay <sup>24</sup>, S. Bansal <sup>24</sup>, L. Barak <sup>152</sup>, M. Barakat <sup>48</sup>, E.L. Barberio <sup>106</sup>, D. Barberis <sup>57b,57a</sup>, M. Barbero <sup>103</sup>, G. Barbour <sup>97</sup>, K.N. Barends <sup>33a</sup>, T. Barillari <sup>111</sup>, M-S. Barisits <sup>36</sup>, T. Barklow <sup>144</sup>, P. Baron <sup>123</sup>, D.A. Baron Moreno <sup>102</sup>, A. Baroncelli <sup>62a</sup>, G. Barone <sup>29</sup>, A.J. Barr <sup>127</sup>, J.D. Barr <sup>97</sup>, L. Barranco Navarro <sup>47a,47b</sup>, F. Barreiro <sup>100</sup>, J. Barreiro Guimarães da Costa <sup>14a</sup>, U. Barron <sup>152</sup>, M.G. Barros Teixeira <sup>131a</sup>, S. Barsov <sup>37</sup>, F. Bartels <sup>63a</sup>, R. Bartoldus <sup>144</sup>, A.E. Barton <sup>92</sup>, P. Bartos <sup>28a</sup>, A. Basan <sup>101</sup>, M. Baselga <sup>49</sup>, A. Bassalat <sup>66,b</sup>, M.J. Basso <sup>157a</sup>, C.R. Basson <sup>102</sup>, R.L. Bates <sup>59</sup>, S. Batlamous <sup>35e</sup>, J.R. Batley <sup>32</sup>, B. Batool <sup>142</sup>, M. Battaglia <sup>137</sup>, D. Battulga <sup>18</sup>, M. Bauce <sup>75a,75b</sup>, M. Bauer <sup>36</sup>, P. Bauer <sup>24</sup>, L.T. Bazzano Hurrell <sup>30</sup>, J.B. Beacham <sup>51</sup>, T. Beau <sup>128</sup>, P.H. Beauchemin <sup>159</sup>, F. Becherer <sup>54</sup>, P. Bechtle <sup>24</sup>, H.P. Beck <sup>19,s</sup>, K. Becker <sup>168</sup>, A.J. Beddall <sup>82</sup>, V.A. Bednyakov <sup>38</sup>, C.P. Bee <sup>146</sup>, L.J. Beemster <sup>15</sup>, T.A. Beermann <sup>36</sup>, M. Begalli <sup>83d</sup>, M. Begel <sup>29</sup>, A. Behera <sup>146</sup>, J.K. Behr <sup>48</sup>, J.F. Beirer <sup>55</sup>, F. Beisiegel <sup>24</sup>, M. Belfkir <sup>160</sup>, G. Bella <sup>152</sup>, L. Bellagamba <sup>23b</sup>, A. Bellerive <sup>34</sup>, P. Bellos <sup>20</sup>, K. Beloborodov <sup>37</sup>, N.L. Belyaev <sup>37</sup>, D. Benchekroun <sup>35a</sup>, F. Bendebba <sup>35a</sup>,



Y. Benhammou [ID152](#), M. Benoit [ID29](#), J.R. Bensingher [ID26](#), S. Bentvelsen [ID115](#), L. Beresford [ID48](#),  
 M. Beretta [ID53](#), E. Bergeaas Kuutmann [ID162](#), N. Berger [ID4](#), B. Bergmann [ID133](#), J. Beringer [ID17a](#),  
 G. Bernardi [ID5](#), C. Bernius [ID144](#), F.U. Bernlochner [ID24](#), F. Bernon [ID36,103](#), T. Berry [ID96](#), P. Berta [ID134](#),  
 A. Berthold [ID50](#), I.A. Bertram [ID92](#), S. Bethke [ID111](#), A. Betti [ID75a,75b](#), A.J. Bevan [ID95](#), M. Bhamjee [ID33c](#),  
 S. Bhatta [ID146](#), D.S. Bhattacharya [ID167](#), P. Bhattarai [ID26](#), V.S. Bhopatkar [ID122](#), R. Bi [ID29,am](#),  
 R.M. Bianchi [ID130](#), G. Bianco [ID23b,23a](#), O. Biebel [ID110](#), R. Bielski [ID124](#), M. Biglietti [ID77a](#),  
 T.R.V. Billoud [ID133](#), M. Bindi [ID55](#), A. Bingul [ID21b](#), C. Bini [ID75a,75b](#), A. Biondini [ID93](#),  
 C.J. Birch-sykes [ID102](#), G.A. Bird [ID20,135](#), M. Birman [ID170](#), M. Biros [ID134](#), T. Bisanz [ID49](#),  
 E. Bisceglie [ID43b,43a](#), D. Biswas [ID142](#), A. Bitadze [ID102](#), K. Bjørke [ID126](#), I. Bloch [ID48](#), C. Blocker [ID26](#),  
 A. Blue [ID59](#), U. Blumenschein [ID95](#), J. Blumenthal [ID101](#), G.J. Bobbink [ID115](#), V.S. Bobrovnikov [ID37](#),  
 M. Boehler [ID54](#), B. Boehm [ID167](#), D. Bogavac [ID36](#), A.G. Bogdanchikov [ID37](#), C. Bohm [ID47a](#),  
 V. Boisvert [ID96](#), P. Bokan [ID48](#), T. Bold [ID86a](#), M. Bomben [ID5](#), M. Bona [ID95](#), M. Boonekamp [ID136](#),  
 C.D. Booth [ID96](#), A.G. Borbély [ID59](#), I.S. Bordulev [ID37](#), H.M. Borecka-Bielska [ID109](#), L.S. Borgna [ID97](#),  
 G. Borissov [ID92](#), D. Bortoletto [ID127](#), D. Boscherini [ID23b](#), M. Bosman [ID13](#), J.D. Bossio Sola [ID36](#),  
 K. Bouaouda [ID35a](#), N. Bouchhar [ID164](#), J. Boudreau [ID130](#), E.V. Bouhova-Thacker [ID92](#), D. Boumediene [ID40](#),  
 R. Bouquet [ID5](#), A. Boveia [ID120](#), J. Boyd [ID36](#), D. Boye [ID29](#), I.R. Boyko [ID38](#), J. Bracinik [ID20](#),  
 N. Brahim [ID62d](#), G. Brandt [ID172](#), O. Brandt [ID32](#), F. Braren [ID48](#), B. Brau [ID104](#), J.E. Brau [ID124](#),  
 R. Brenner [ID170](#), L. Brenner [ID115](#), R. Brenner [ID162](#), S. Bressler [ID170](#), D. Britton [ID59](#), D. Britzger [ID111](#),  
 I. Brock [ID24](#), G. Brooijmans [ID41](#), W.K. Brooks [ID138f](#), E. Brost [ID29](#), L.M. Brown [ID166,m](#), L.E. Bruce [ID61](#),  
 T.L. Bruckler [ID127](#), P.A. Bruckman de Renstrom [ID87](#), B. Brüers [ID48](#), D. Bruncko [ID28b,\\*](#), A. Bruni [ID23b](#),  
 G. Bruni [ID23b](#), M. Bruschi [ID23b](#), N. Bruscano [ID75a,75b](#), T. Buanes [ID16](#), Q. Buat [ID139](#), D. Buchin [ID111](#),  
 A.G. Buckley [ID59](#), M.K. Bugge [ID126](#), O. Bulekov [ID37](#), B.A. Bullard [ID144](#), S. Burdin [ID93](#),  
 C.D. Burgard [ID49](#), A.M. Burger [ID40](#), B. Burghgrave [ID8](#), O. Burlayenko [ID54](#), J.T.P. Burr [ID32](#),  
 C.D. Burton [ID11](#), J.C. Burzynski [ID143](#), E.L. Busch [ID41](#), V. Büscher [ID101](#), P.J. Bussey [ID59](#),  
 J.M. Butler [ID25](#), C.M. Buttar [ID59](#), J.M. Butterworth [ID97](#), W. Buttinger [ID135](#), C.J. Buxo Vazquez [ID108](#),  
 A.R. Buzykaev [ID37](#), G. Cabras [ID23b](#), S. Cabrera Urbán [ID164](#), L. Cadamuro [ID66](#), D. Caforio [ID58](#),  
 H. Cai [ID130](#), Y. Cai [ID14a,14e](#), V.M.M. Cairo [ID36](#), O. Cakir [ID3a](#), N. Calace [ID36](#), P. Calafiura [ID17a](#),  
 G. Calderini [ID128](#), P. Calfayan [ID68](#), G. Callea [ID59](#), L.P. Caloba [ID83b](#), D. Calvet [ID40](#), S. Calvet [ID40](#),  
 T.P. Calvet [ID103](#), M. Calvetti [ID74a,74b](#), R. Camacho Toro [ID128](#), S. Camarda [ID36](#), D. Camarero Munoz [ID26](#),  
 P. Camarri [ID76a,76b](#), M.T. Camerlingo [ID72a,72b](#), D. Cameron [ID126](#), C. Camincher [ID166](#), M. Campanelli [ID97](#),  
 A. Camplani [ID42](#), V. Canale [ID72a,72b](#), A. Canesse [ID105](#), M. Cano Bret [ID80](#), J. Cantero [ID164](#), Y. Cao [ID163](#),  
 F. Capocasa [ID26](#), M. Capua [ID43b,43a](#), A. Carbone [ID71a,71b](#), R. Cardarelli [ID76a](#), J.C.J. Cardenas [ID8](#),  
 F. Cardillo [ID164](#), T. Carli [ID36](#), G. Carlino [ID72a](#), J.I. Carlotta [ID13](#), B.T. Carlson [ID130,u](#),  
 E.M. Carlson [ID166,157a](#), L. Carminati [ID71a,71b](#), A. Carnelli [ID136](#), M. Carnesale [ID75a,75b](#), S. Caron [ID114](#),  
 E. Carquin [ID138f](#), S. Carrá [ID71a,71b](#), G. Carratta [ID23b,23a](#), F. Carrio Argos [ID33g](#), J.W.S. Carter [ID156](#),  
 T.M. Carter [ID52](#), M.P. Casado [ID13,j](#), M. Caspar [ID48](#), E.G. Castiglia [ID173](#), F.L. Castillo [ID4](#),  
 L. Castillo Garcia [ID13](#), V. Castillo Gimenez [ID164](#), N.F. Castro [ID131a,131e](#), A. Catinaccio [ID36](#),  
 J.R. Catmore [ID126](#), V. Cavaliere [ID29](#), N. Cavalli [ID23b,23a](#), V. Cavasinni [ID74a,74b](#), Y.C. Cekmecelioglu [ID48](#),  
 E. Celebi [ID21a](#), F. Celli [ID127](#), M.S. Centonze [ID70a,70b](#), K. Cerny [ID123](#), A.S. Cerqueira [ID83a](#), A. Cerri [ID147](#),  
 L. Cerrito [ID76a,76b](#), F. Cerutti [ID17a](#), B. Cervato [ID142](#), A. Cervelli [ID23b](#), G. Cesarini [ID53](#), S.A. Cetin [ID82](#),  
 Z. Chadi [ID35a](#), D. Chakraborty [ID116](#), M. Chala [ID131f](#), J. Chan [ID171](#), W.Y. Chan [ID154](#), J.D. Chapman [ID32](#),  
 E. Chapon [ID136](#), B. Chargeishvili [ID150b](#), D.G. Charlton [ID20](#), T.P. Charman [ID95](#), M. Chatterjee [ID19](#),  
 C. Chauhan [ID134](#), S. Chekanov [ID6](#), S.V. Chekulaev [ID157a](#), G.A. Chelkov [ID38,a](#), A. Chen [ID107](#),  
 B. Chen [ID152](#), B. Chen [ID166](#), H. Chen [ID14c](#), H. Chen [ID29](#), J. Chen [ID62c](#), J. Chen [ID143](#), M. Chen [ID127](#),  
 S. Chen [ID154](#), S.J. Chen [ID14c](#), X. Chen [ID62c](#), X. Chen [ID14b,aj](#), Y. Chen [ID62a](#), C.L. Cheng [ID171](#),  
 H.C. Cheng [ID64a](#), S. Cheong [ID144](#), A. Cheplakov [ID38](#), E. Cheremushkina [ID48](#), E. Cherepanova [ID115](#),  
 R. Cherkaoui El Moursli [ID35e](#), E. Cheu [ID7](#), K. Cheung [ID65](#), L. Chevalier [ID136](#), V. Chiarella [ID53](#),



G. Chiarelli <sup>id</sup>74a, N. Chiedde <sup>id</sup>103, G. Chiodini <sup>id</sup>70a, A.S. Chisholm <sup>id</sup>20, A. Chitan <sup>id</sup>27b, M. Chitishvili <sup>id</sup>164, M.V. Chizhov <sup>id</sup>38, K. Choi <sup>id</sup>11, A.R. Chomont <sup>id</sup>75a,75b, Y. Chou <sup>id</sup>104, E.Y.S. Chow <sup>id</sup>115, T. Chowdhury <sup>id</sup>33g, K.L. Chu <sup>id</sup>170, M.C. Chu <sup>id</sup>64a, X. Chu <sup>id</sup>14a,14e, J. Chudoba <sup>id</sup>132, J.J. Chwastowski <sup>id</sup>87, D. Cieri <sup>id</sup>111, K.M. Ciesla <sup>id</sup>86a, V. Cindro <sup>id</sup>94, A. Ciocio <sup>id</sup>17a, F. Ciroto <sup>id</sup>72a,72b, Z.H. Citron <sup>id</sup>170,n, M. Citterio <sup>id</sup>71a, D.A. Ciubotaru <sup>id</sup>27b, B.M. Ciungu <sup>id</sup>156, A. Clark <sup>id</sup>56, P.J. Clark <sup>id</sup>52, J.M. Clavijo Columbie <sup>id</sup>48, S.E. Clawson <sup>id</sup>48, C. Clement <sup>id</sup>47a,47b, J. Clercx <sup>id</sup>48, L. Clissa <sup>id</sup>23b,23a, Y. Coadou <sup>id</sup>103, M. Cobal <sup>id</sup>69a,69c, A. Coccaro <sup>id</sup>57b, R.F. Coelho Barrue <sup>id</sup>131a, R. Coelho Lopes De Sa <sup>id</sup>104, S. Coelli <sup>id</sup>71a, H. Cohen <sup>id</sup>152, A.E.C. Coimbra <sup>id</sup>71a,71b, B. Cole <sup>id</sup>41, J. Collot <sup>id</sup>60, P. Conde Muiño <sup>id</sup>131a,131g, M.P. Connell <sup>id</sup>33c, S.H. Connell <sup>id</sup>33c, I.A. Connelly <sup>id</sup>59, E.I. Conroy <sup>id</sup>127, F. Conventi <sup>id</sup>72a,al, H.G. Cooke <sup>id</sup>20, A.M. Cooper-Sarkar <sup>id</sup>127, A. Cordeiro Oudot Choi <sup>id</sup>128, F. Cormier <sup>id</sup>165, L.D. Corpe <sup>id</sup>40, M. Corradi <sup>id</sup>75a,75b, F. Corriveau <sup>id</sup>105,ab, A. Cortes-Gonzalez <sup>id</sup>18, M.J. Costa <sup>id</sup>164, F. Costanza <sup>id</sup>4, D. Costanzo <sup>id</sup>140, B.M. Cote <sup>id</sup>120, G. Cowan <sup>id</sup>96, K. Cranmer <sup>id</sup>171, D. Cremonini <sup>id</sup>23b,23a, S. Crépe-Renaudin <sup>id</sup>60, F. Crescioli <sup>id</sup>128, M. Cristinziani <sup>id</sup>142, M. Cristoforetti <sup>id</sup>78a,78b, V. Croft <sup>id</sup>115, J.E. Crosby <sup>id</sup>122, G. Crosetti <sup>id</sup>43b,43a, A. Cueto <sup>id</sup>100, T. Cuhadar Donszelmann <sup>id</sup>161, H. Cui <sup>id</sup>14a,14e, Z. Cui <sup>id</sup>7, W.R. Cunningham <sup>id</sup>59, F. Curcio <sup>id</sup>43b,43a, P. Czodrowski <sup>id</sup>36, M.M. Czurylo <sup>id</sup>63b, M.J. Da Cunha Sargedas De Sousa <sup>id</sup>62a, J.V. Da Fonseca Pinto <sup>id</sup>83b, C. Da Via <sup>id</sup>102, W. Dabrowski <sup>id</sup>86a, T. Dado <sup>id</sup>49, S. Dahbi <sup>id</sup>33g, T. Dai <sup>id</sup>107, C. Dallapiccola <sup>id</sup>104, M. Dam <sup>id</sup>42, G. D'amen <sup>id</sup>29, V. D'Amico <sup>id</sup>110, J. Damp <sup>id</sup>101, J.R. Dandoy <sup>id</sup>129, M.F. Daneri <sup>id</sup>30, M. Danninger <sup>id</sup>143, V. Dao <sup>id</sup>36, G. Darbo <sup>id</sup>57b, S. Darmora <sup>id</sup>6, S.J. Das <sup>id</sup>29,am, S. D'Auria <sup>id</sup>71a,71b, C. David <sup>id</sup>157b, T. Davidek <sup>id</sup>134, B. Davis-Purcell <sup>id</sup>34, I. Dawson <sup>id</sup>95, H.A. Day-hall <sup>id</sup>133, K. De <sup>id</sup>8, R. De Asmundis <sup>id</sup>72a, N. De Biase <sup>id</sup>48, S. De Castro <sup>id</sup>23b,23a, N. De Groot <sup>id</sup>114, P. de Jong <sup>id</sup>115, H. De la Torre <sup>id</sup>108, A. De Maria <sup>id</sup>14c, A. De Salvo <sup>id</sup>75a, U. De Sanctis <sup>id</sup>76a,76b, A. De Santo <sup>id</sup>147, J.B. De Vivie De Regie <sup>id</sup>60, D.V. Dedovich <sup>id</sup>38, J. Degens <sup>id</sup>115, A.M. Deiana <sup>id</sup>44, F. Del Corso <sup>id</sup>23b,23a, J. Del Peso <sup>id</sup>100, F. Del Rio <sup>id</sup>63a, F. Deliot <sup>id</sup>136, C.M. Delitzsch <sup>id</sup>49, M. Della Pietra <sup>id</sup>72a,72b, D. Della Volpe <sup>id</sup>56, A. Dell'Acqua <sup>id</sup>36, L. Dell'Asta <sup>id</sup>71a,71b, M. Delmastro <sup>id</sup>4, P.A. Delsart <sup>id</sup>60, S. Demers <sup>id</sup>173, M. Demichev <sup>id</sup>38, S.P. Denisov <sup>id</sup>37, L. D'Eramo <sup>id</sup>40, D. Derendarz <sup>id</sup>87, F. Derue <sup>id</sup>128, P. Dervan <sup>id</sup>93, K. Desch <sup>id</sup>24, C. Deutsch <sup>id</sup>24, F.A. Di Bello <sup>id</sup>57b,57a, A. Di Ciaccio <sup>id</sup>76a,76b, L. Di Ciaccio <sup>id</sup>4, A. Di Domenico <sup>id</sup>75a,75b, C. Di Donato <sup>id</sup>72a,72b, A. Di Girolamo <sup>id</sup>36, G. Di Gregorio <sup>id</sup>5, A. Di Luca <sup>id</sup>78a,78b, B. Di Micco <sup>id</sup>77a,77b, R. Di Nardo <sup>id</sup>77a,77b, C. Diaconu <sup>id</sup>103, F.A. Dias <sup>id</sup>115, T. Dias Do Vale <sup>id</sup>143, M.A. Diaz <sup>id</sup>138a,138b, F.G. Diaz Capriles <sup>id</sup>24, M. Didenko <sup>id</sup>164, E.B. Diehl <sup>id</sup>107, L. Diehl <sup>id</sup>54, S. Díez Cornell <sup>id</sup>48, C. Diez Pardos <sup>id</sup>142, C. Dimitriadi <sup>id</sup>24,162, A. Dimitrievska <sup>id</sup>17a, J. Dingfelder <sup>id</sup>24, I-M. Dinu <sup>id</sup>27b, S.J. Dittmeier <sup>id</sup>63b, F. Dittus <sup>id</sup>36, F. Djama <sup>id</sup>103, T. Djobava <sup>id</sup>150b, J.I. Djuvsland <sup>id</sup>16, C. Doglioni <sup>id</sup>102,99, J. Dolejsi <sup>id</sup>134, Z. Dolezal <sup>id</sup>134, M. Donadelli <sup>id</sup>83c, B. Dong <sup>id</sup>108, J. Donini <sup>id</sup>40, A. D'Onofrio <sup>id</sup>77a,77b, M. D'Onofrio <sup>id</sup>93, J. Dopke <sup>id</sup>135, A. Doria <sup>id</sup>72a, N. Dos Santos Fernandes <sup>id</sup>131a, M.T. Dova <sup>id</sup>91, A.T. Doyle <sup>id</sup>59, M.A. Draguet <sup>id</sup>127, E. Dreyer <sup>id</sup>170, I. Drivas-koulouris <sup>id</sup>10, A.S. Drobac <sup>id</sup>159, M. Drozdova <sup>id</sup>56, D. Du <sup>id</sup>62a, T.A. du Pree <sup>id</sup>115, F. Dubinin <sup>id</sup>37, M. Dubovsky <sup>id</sup>28a, E. Duchovni <sup>id</sup>170, G. Duckeck <sup>id</sup>110, O.A. Ducu <sup>id</sup>27b, D. Duda <sup>id</sup>52, A. Dudarev <sup>id</sup>36, E.R. Duden <sup>id</sup>26, M. D'uffizi <sup>id</sup>102, L. Duflot <sup>id</sup>66, M. Dührssen <sup>id</sup>36, C. Dülßen <sup>id</sup>172, A.E. Dumitriu <sup>id</sup>27b, M. Dunford <sup>id</sup>63a, S. Dungs <sup>id</sup>49, K. Dunne <sup>id</sup>47a,47b, A. Duperrin <sup>id</sup>103, H. Duran Yildiz <sup>id</sup>3a, M. Düren <sup>id</sup>58, A. Durglishvili <sup>id</sup>150b, B.L. Dwyer <sup>id</sup>116, G.I. Dyckes <sup>id</sup>17a, M. Dyndal <sup>id</sup>86a, S. Dysch <sup>id</sup>102, B.S. Dziedzic <sup>id</sup>87, Z.O. Earnshaw <sup>id</sup>147, G.H. Eberwein <sup>id</sup>127, B. Eckerova <sup>id</sup>28a, S. Eggebrecht <sup>id</sup>55, M.G. Eggleston <sup>id</sup>51, E. Egidio Purcino De Souza <sup>id</sup>128, L.F. Ehrke <sup>id</sup>56, G. Eigen <sup>id</sup>16, K. Einsweiler <sup>id</sup>17a, T. Ekelof <sup>id</sup>162, P.A. Ekman <sup>id</sup>99, S. El Farkh <sup>id</sup>35b, Y. El Ghazali <sup>id</sup>35b, H. El Jarrari <sup>id</sup>35e,149, A. El Moussaouy <sup>id</sup>35a, V. Ellajosyula <sup>id</sup>162, M. Ellert <sup>id</sup>162, F. Ellinghaus <sup>id</sup>172, A.A. Elliot <sup>id</sup>95, N. Ellis <sup>id</sup>36, J. Elmsheuser <sup>id</sup>29, M. Elsing <sup>id</sup>36, D. Emelianov <sup>id</sup>135, Y. Enari <sup>id</sup>154, I. Ene <sup>id</sup>17a, S. Epari <sup>id</sup>13, J. Erdmann <sup>id</sup>49,

P.A. Erland <sup>87</sup>, M. Errenst <sup>172</sup>, M. Escalier <sup>66</sup>, C. Escobar <sup>164</sup>, E. Etzion <sup>152</sup>, G. Evans <sup>131a</sup>,  
 H. Evans <sup>68</sup>, L.S. Evans <sup>96</sup>, M.O. Evans <sup>147</sup>, A. Ezhilov <sup>37</sup>, S. Ezzarqtouni <sup>35a</sup>, F. Fabbri <sup>59</sup>,  
 L. Fabbri <sup>23b,23a</sup>, G. Facini <sup>97</sup>, V. Fadeyev <sup>137</sup>, R.M. Fakhruddinov <sup>37</sup>, S. Falciano <sup>75a</sup>,  
 L.F. Falda Ulhoa Coelho <sup>36</sup>, P.J. Falke <sup>24</sup>, J. Faltova <sup>134</sup>, C. Fan <sup>163</sup>, Y. Fan <sup>14a</sup>, Y. Fang <sup>14a,14e</sup>,  
 M. Fanti <sup>71a,71b</sup>, M. Faraj <sup>69a,69b</sup>, Z. Farazpay <sup>98</sup>, A. Farbin <sup>8</sup>, A. Farilla <sup>77a</sup>, T. Farooque <sup>108</sup>,  
 S.M. Farrington <sup>52</sup>, F. Fassi <sup>35e</sup>, D. Fassouliotis <sup>9</sup>, M. Faucci Giannelli <sup>76a,76b</sup>, W.J. Fawcett <sup>32</sup>,  
 L. Fayard <sup>66</sup>, P. Federic <sup>134</sup>, P. Federicova <sup>132</sup>, O.L. Fedin <sup>37,a</sup>, G. Fedotov <sup>37</sup>, M. Feickert <sup>171</sup>,  
 L. Feligioni <sup>103</sup>, D.E. Fellers <sup>124</sup>, C. Feng <sup>62b</sup>, M. Feng <sup>14b</sup>, Z. Feng <sup>115</sup>, M.J. Fenton <sup>161</sup>,  
 A.B. Fenyuk <sup>37</sup>, L. Ferencz <sup>48</sup>, R.A.M. Ferguson <sup>92</sup>, S.I. Fernandez Luengo <sup>138f</sup>, M.J.V. Fernoux <sup>103</sup>,  
 J. Ferrando <sup>48</sup>, A. Ferrari <sup>162</sup>, P. Ferrari <sup>115,114</sup>, R. Ferrari <sup>73a</sup>, D. Ferrere <sup>56</sup>, C. Ferretti <sup>107</sup>,  
 F. Fiedler <sup>101</sup>, A. Filipčič <sup>94</sup>, E.K. Filmer <sup>1</sup>, F. Filthaut <sup>114</sup>, M.C.N. Fiolhais <sup>131a,131c,d</sup>,  
 L. Fiorini <sup>164</sup>, W.C. Fisher <sup>108</sup>, T. Fitschen <sup>102</sup>, P.M. Fitzhugh <sup>136</sup>, I. Fleck <sup>142</sup>, P. Fleischmann <sup>107</sup>,  
 T. Flick <sup>172</sup>, L. Flores <sup>129</sup>, M. Flores <sup>33d,ah</sup>, L.R. Flores Castillo <sup>64a</sup>, L. Flores Sanz De Acedo <sup>36</sup>,  
 F.M. Follega <sup>78a,78b</sup>, N. Fomin <sup>16</sup>, J.H. Foo <sup>156</sup>, B.C. Forland <sup>68</sup>, A. Formica <sup>136</sup>, A.C. Forti <sup>102</sup>,  
 E. Fortin <sup>36</sup>, A.W. Fortman <sup>61</sup>, M.G. Foti <sup>17a</sup>, L. Fountas <sup>9,k</sup>, D. Fournier <sup>66</sup>, H. Fox <sup>92</sup>,  
 P. Francavilla <sup>74a,74b</sup>, S. Francescato <sup>61</sup>, S. Franchellucci <sup>56</sup>, M. Franchini <sup>23b,23a</sup>,  
 S. Franchino <sup>63a</sup>, D. Francis <sup>36</sup>, L. Franco <sup>114</sup>, L. Franconi <sup>48</sup>, M. Franklin <sup>61</sup>, G. Frattari <sup>26</sup>,  
 A.C. Freegard <sup>95</sup>, W.S. Freund <sup>83b</sup>, Y.Y. Frid <sup>152</sup>, N. Fritzsche <sup>50</sup>, A. Froch <sup>54</sup>, D. Froidevaux <sup>36</sup>,  
 J.A. Frost <sup>127</sup>, Y. Fu <sup>62a</sup>, M. Fujimoto <sup>119</sup>, E. Fullana Torregrosa <sup>164,\*</sup>, K.Y. Fung <sup>64a</sup>,  
 E. Furtado De Simas Filho <sup>83b</sup>, M. Furukawa <sup>154</sup>, J. Fuster <sup>164</sup>, A. Gabrielli <sup>23b,23a</sup>,  
 A. Gabrielli <sup>156</sup>, P. Gadow <sup>48</sup>, G. Gagliardi <sup>57b,57a</sup>, L.G. Gagnon <sup>17a</sup>, E.J. Gallas <sup>127</sup>,  
 B.J. Gallop <sup>135</sup>, K.K. Gan <sup>120</sup>, S. Ganguly <sup>154</sup>, J. Gao <sup>62a</sup>, Y. Gao <sup>52</sup>, F.M. Garay Walls <sup>138a,138b</sup>,  
 B. Garcia <sup>29,am</sup>, C. García <sup>164</sup>, A. Garcia Alonso <sup>115</sup>, A.G. Garcia Caffaro <sup>173</sup>,  
 J.E. García Navarro <sup>164</sup>, M. Garcia-Sciveres <sup>17a</sup>, G.L. Gardner <sup>129</sup>, R.W. Gardner <sup>39</sup>,  
 N. Garelli <sup>159</sup>, D. Garg <sup>80</sup>, R.B. Garg <sup>144,r</sup>, J.M. Gargan <sup>52</sup>, C.A. Garner <sup>156</sup>, S.J. Gasiorowski <sup>139</sup>,  
 P. Gaspar <sup>83b</sup>, G. Gaudio <sup>73a</sup>, V. Gautam <sup>13</sup>, P. Gauzzi <sup>75a,75b</sup>, I.L. Gavrilenko <sup>37</sup>, A. Gavrilyuk <sup>37</sup>,  
 C. Gay <sup>165</sup>, G. Gaycken <sup>48</sup>, E.N. Gazis <sup>10</sup>, A.A. Geanta <sup>27b</sup>, C.M. Gee <sup>137</sup>, C. Gemme <sup>57b</sup>,  
 M.H. Genest <sup>60</sup>, S. Gentile <sup>75a,75b</sup>, S. George <sup>96</sup>, W.F. George <sup>20</sup>, T. Geralis <sup>46</sup>,  
 P. Gessinger-Befurt <sup>36</sup>, M.E. Geyik <sup>172</sup>, M. Ghneimat <sup>142</sup>, K. Ghorbanian <sup>95</sup>, A. Ghosal <sup>142</sup>,  
 A. Ghosh <sup>161</sup>, A. Ghosh <sup>7</sup>, B. Giacobbe <sup>23b</sup>, S. Giagu <sup>75a,75b</sup>, P. Giannetti <sup>74a</sup>, A. Giannini <sup>62a</sup>,  
 S.M. Gibson <sup>96</sup>, M. Gignac <sup>137</sup>, D.T. Gil <sup>86b</sup>, A.K. Gilbert <sup>86a</sup>, B.J. Gilbert <sup>41</sup>, D. Gillberg <sup>34</sup>,  
 G. Gilles <sup>115</sup>, N.E.K. Gillwald <sup>48</sup>, L. Ginabat <sup>128</sup>, D.M. Gingrich <sup>2,ak</sup>, M.P. Giordani <sup>69a,69c</sup>,  
 P.F. Giraud <sup>136</sup>, G. Giugliarelli <sup>69a,69c</sup>, D. Giugni <sup>71a</sup>, F. Giuli <sup>36</sup>, I. Gkialas <sup>9,k</sup>, L.K. Gladilin <sup>37</sup>,  
 C. Glasman <sup>100</sup>, G.R. Gledhill <sup>124</sup>, M. Glisic <sup>124</sup>, I. Gnesi <sup>43b,g</sup>, Y. Go <sup>29,am</sup>, M. Goblirsch-Kolb <sup>36</sup>,  
 B. Gocke <sup>49</sup>, D. Godin <sup>109</sup>, B. Gokturk <sup>21a</sup>, S. Goldfarb <sup>106</sup>, T. Golling <sup>56</sup>, M.G.D. Gololo <sup>33g</sup>,  
 D. Golubkov <sup>37</sup>, J.P. Gombas <sup>108</sup>, A. Gomes <sup>131a,131b</sup>, G. Gomes Da Silva <sup>142</sup>,  
 A.J. Gomez Delegido <sup>164</sup>, R. Gonçalo <sup>131a,131c</sup>, G. Gonella <sup>124</sup>, L. Gonella <sup>20</sup>, A. Gongadze <sup>38</sup>,  
 F. Gonnella <sup>20</sup>, J.L. Gonski <sup>41</sup>, R.Y. González Andana <sup>52</sup>, S. González de la Hoz <sup>164</sup>,  
 S. Gonzalez Fernandez <sup>13</sup>, R. Gonzalez Lopez <sup>93</sup>, C. Gonzalez Renteria <sup>17a</sup>,  
 R. Gonzalez Suarez <sup>162</sup>, S. Gonzalez-Sevilla <sup>56</sup>, G.R. Gonzalvo Rodriguez <sup>164</sup>, L. Goossens <sup>36</sup>,  
 P.A. Gorbounov <sup>37</sup>, B. Gorini <sup>36</sup>, E. Gorini <sup>70a,70b</sup>, A. Gorišek <sup>94</sup>, T.C. Gosart <sup>129</sup>,  
 A.T. Goshaw <sup>51</sup>, M.I. Gostkin <sup>38</sup>, S. Goswami <sup>122</sup>, C.A. Gottardo <sup>36</sup>, M. Gouighri <sup>35b</sup>,  
 V. Goumarre <sup>48</sup>, A.G. Goussiou <sup>139</sup>, N. Govender <sup>33c</sup>, I. Grabowska-Bold <sup>86a</sup>, K. Graham <sup>34</sup>,  
 E. Gramstad <sup>126</sup>, S. Grancagnolo <sup>70a,70b</sup>, M. Grandi <sup>147</sup>, V. Gratchev <sup>37,\*</sup>, P.M. Gravila <sup>27f</sup>,  
 F.G. Gravili <sup>70a,70b</sup>, H.M. Gray <sup>17a</sup>, M. Greco <sup>70a,70b</sup>, C. Grefe <sup>24</sup>, I.M. Gregor <sup>48</sup>, P. Grenier <sup>144</sup>,  
 C. Grieco <sup>13</sup>, A.A. Grillo <sup>137</sup>, K. Grimm <sup>31</sup>, S. Grinstein <sup>13,x</sup>, J.-F. Grivaz <sup>66</sup>, E. Gross <sup>170</sup>,  
 J. Grosse-Knetter <sup>55</sup>, C. Grud <sup>107</sup>, J.C. Grundy <sup>127</sup>, L. Guan <sup>107</sup>, W. Guan <sup>171</sup>, C. Gubbels <sup>165</sup>,

J.G.R. Guerrero Rojas <sup>164</sup>, G. Guerrieri <sup>69a,69b</sup>, F. Guescini <sup>111</sup>, R. Gugel <sup>101</sup>, J.A.M. Guhit <sup>107</sup>, A. Guida <sup>18</sup>, T. Guillemin <sup>4</sup>, E. Guilloton <sup>168,135</sup>, S. Guindon <sup>36</sup>, F. Guo <sup>14a,14e</sup>, J. Guo <sup>62c</sup>, L. Guo <sup>48</sup>, Y. Guo <sup>107</sup>, R. Gupta <sup>48</sup>, S. Gurbuz <sup>24</sup>, S.S. Gurdasani <sup>54</sup>, G. Gustavino <sup>36</sup>, M. Guth <sup>56</sup>, P. Gutierrez <sup>121</sup>, L.F. Gutierrez Zagazeta <sup>129</sup>, C. Gutschow <sup>97</sup>, C. Gwenlan <sup>127</sup>, C.B. Gwilliam <sup>93</sup>, E.S. Haaland <sup>126</sup>, A. Haas <sup>118</sup>, M. Habedank <sup>48</sup>, C. Haber <sup>17a</sup>, H.K. Hadavand <sup>8</sup>, A. Hadeef <sup>101</sup>, S. Hadzic <sup>111</sup>, J.J. Hahn <sup>142</sup>, E.H. Haines <sup>97</sup>, M. Haleem <sup>167</sup>, J. Haley <sup>122</sup>, J.J. Hall <sup>140</sup>, G.D. Hallewell <sup>103</sup>, L. Halser <sup>19</sup>, K. Hamano <sup>166</sup>, H. Hamdaoui <sup>35e</sup>, M. Hamer <sup>24</sup>, G.N. Hamity <sup>52</sup>, E.J. Hampshire <sup>96</sup>, J. Han <sup>62b</sup>, K. Han <sup>62a</sup>, L. Han <sup>14c</sup>, L. Han <sup>62a</sup>, S. Han <sup>17a</sup>, Y.F. Han <sup>156</sup>, K. Hanagaki <sup>84</sup>, M. Hance <sup>137</sup>, D.A. Hangal <sup>41,ag</sup>, H. Hanif <sup>143</sup>, M.D. Hank <sup>129</sup>, R. Hankache <sup>102</sup>, J.B. Hansen <sup>42</sup>, J.D. Hansen <sup>42</sup>, P.H. Hansen <sup>42</sup>, K. Hara <sup>158</sup>, D. Harada <sup>56</sup>, T. Harenberg <sup>172</sup>, S. Harkusha <sup>37</sup>, M.L. Harris <sup>104</sup>, Y.T. Harris <sup>127</sup>, J. Harrison <sup>13</sup>, N.M. Harrison <sup>120</sup>, P.F. Harrison <sup>168</sup>, N.M. Hartman <sup>144</sup>, N.M. Hartmann <sup>110</sup>, Y. Hasegawa <sup>141</sup>, A. Hasib <sup>52</sup>, S. Haug <sup>19</sup>, R. Hauser <sup>108</sup>, C.M. Hawkes <sup>20</sup>, R.J. Hawkins <sup>36</sup>, Y. Hayashi <sup>154</sup>, S. Hayashida <sup>112</sup>, D. Hayden <sup>108</sup>, C. Hayes <sup>107</sup>, R.L. Hayes <sup>115</sup>, C.P. Hays <sup>127</sup>, J.M. Hays <sup>95</sup>, H.S. Hayward <sup>93</sup>, F. He <sup>62a</sup>, M. He <sup>14a,14e</sup>, Y. He <sup>155</sup>, Y. He <sup>128</sup>, N.B. Heatley <sup>95</sup>, V. Hedberg <sup>99</sup>, A.L. Heggelund <sup>126</sup>, N.D. Hehir <sup>95</sup>, C. Heidegger <sup>54</sup>, K.K. Heidegger <sup>54</sup>, W.D. Heidorn <sup>81</sup>, J. Heilman <sup>34</sup>, S. Heim <sup>48</sup>, T. Heim <sup>17a</sup>, J.G. Heinlein <sup>129</sup>, J.J. Heinrich <sup>124</sup>, L. Heinrich <sup>111,ai</sup>, J. Hejbal <sup>132</sup>, L. Helary <sup>48</sup>, A. Held <sup>171</sup>, S. Hellesund <sup>16</sup>, C.M. Helling <sup>165</sup>, S. Hellman <sup>47a,47b</sup>, C. Helsens <sup>36</sup>, R.C.W. Henderson <sup>92</sup>, L. Henkelmann <sup>32</sup>, A.M. Henriques Correia <sup>36</sup>, H. Herde <sup>99</sup>, Y. Hernández Jiménez <sup>146</sup>, L.M. Herrmann <sup>24</sup>, T. Herrmann <sup>50</sup>, G. Herten <sup>54</sup>, R. Hertenberger <sup>110</sup>, L. Hervas <sup>36</sup>, M.E. Hespings <sup>101</sup>, N.P. Hessey <sup>157a</sup>, H. Hibi <sup>85</sup>, S.J. Hillier <sup>20</sup>, J.R. Hinds <sup>108</sup>, F. Hinterkeuser <sup>24</sup>, M. Hirose <sup>125</sup>, S. Hirose <sup>158</sup>, D. Hirschbuehl <sup>172</sup>, T.G. Hitchings <sup>102</sup>, B. Hiti <sup>94</sup>, J. Hobbs <sup>146</sup>, R. Hobincu <sup>27e</sup>, N. Hod <sup>170</sup>, M.C. Hodgkinson <sup>140</sup>, B.H. Hodgkinson <sup>32</sup>, A. Hoecker <sup>36</sup>, J. Hofer <sup>48</sup>, T. Holm <sup>24</sup>, M. Holzbock <sup>111</sup>, L.B.A.H. Hommels <sup>32</sup>, B.P. Honan <sup>102</sup>, J. Hong <sup>62c</sup>, T.M. Hong <sup>130</sup>, B.H. Hooberman <sup>163</sup>, W.H. Hopkins <sup>6</sup>, Y. Horii <sup>112</sup>, S. Hou <sup>149</sup>, A.S. Howard <sup>94</sup>, J. Howarth <sup>59</sup>, J. Hoya <sup>6</sup>, M. Hrabovsky <sup>123</sup>, A. Hrynevich <sup>48</sup>, T. Hryn'ova <sup>4</sup>, P.J. Hsu <sup>65</sup>, S.-C. Hsu <sup>139</sup>, Q. Hu <sup>41</sup>, Y.F. Hu <sup>14a,14e</sup>, S. Huang <sup>64b</sup>, X. Huang <sup>14c</sup>, Y. Huang <sup>62a</sup>, Y. Huang <sup>14a</sup>, Z. Huang <sup>102</sup>, Z. Hubacek <sup>133</sup>, M. Huebner <sup>24</sup>, F. Hugging <sup>24</sup>, T.B. Huffman <sup>127</sup>, C.A. Hugli <sup>48</sup>, M. Huhtinen <sup>36</sup>, S.K. Huiberts <sup>16</sup>, R. Hulsken <sup>105</sup>, N. Huseynov <sup>12,a</sup>, J. Huston <sup>108</sup>, J. Huth <sup>61</sup>, R. Hyneman <sup>144</sup>, G. Iacobucci <sup>56</sup>, G. Iakovidis <sup>29</sup>, I. Ibragimov <sup>142</sup>, L. Iconomidou-Fayard <sup>66</sup>, P. Iengo <sup>72a,72b</sup>, R. Iguchi <sup>154</sup>, T. Iizawa <sup>84</sup>, Y. Ikegami <sup>84</sup>, N. Ilic <sup>156</sup>, H. Imam <sup>35a</sup>, M. Ince Lezki <sup>56</sup>, T. Ingebretsen Carlson <sup>47a,47b</sup>, G. Introzzi <sup>73a,73b</sup>, M. Iodice <sup>77a</sup>, V. Ippolito <sup>75a,75b</sup>, R.K. Irwin <sup>93</sup>, M. Ishino <sup>154</sup>, W. Islam <sup>171</sup>, C. Issever <sup>18,48</sup>, S. Istin <sup>21a,ao</sup>, H. Ito <sup>169</sup>, J.M. Iturbe Ponce <sup>64a</sup>, R. Iuppa <sup>78a,78b</sup>, A. Ivina <sup>170</sup>, J.M. Izen <sup>45</sup>, V. Izzo <sup>72a</sup>, P. Jacka <sup>132,133</sup>, P. Jackson <sup>1</sup>, R.M. Jacobs <sup>48</sup>, B.P. Jaeger <sup>143</sup>, C.S. Jagfeld <sup>110</sup>, P. Jain <sup>54</sup>, G. Jäkel <sup>172</sup>, K. Jakobs <sup>54</sup>, T. Jakoubek <sup>170</sup>, J. Jamieson <sup>59</sup>, K.W. Janas <sup>86a</sup>, A.E. Jaspán <sup>93</sup>, M. Javurkova <sup>104</sup>, F. Jeanneau <sup>136</sup>, L. Jeanty <sup>124</sup>, J. Jejelava <sup>150a,ae</sup>, P. Jenni <sup>54,h</sup>, C.E. Jessiman <sup>34</sup>, S. Jézéquel <sup>4</sup>, C. Jia <sup>62b</sup>, J. Jia <sup>146</sup>, X. Jia <sup>61</sup>, X. Jia <sup>14a,14e</sup>, Z. Jia <sup>14c</sup>, Y. Jiang <sup>62a</sup>, S. Jiggins <sup>48</sup>, J. Jimenez Pena <sup>13</sup>, S. Jin <sup>14c</sup>, A. Jinaru <sup>27b</sup>, O. Jinnouchi <sup>155</sup>, P. Johansson <sup>140</sup>, K.A. Johns <sup>7</sup>, J.W. Johnson <sup>137</sup>, D.M. Jones <sup>32</sup>, E. Jones <sup>48</sup>, P. Jones <sup>32</sup>, R.W.L. Jones <sup>92</sup>, T.J. Jones <sup>93</sup>, R. Joshi <sup>120</sup>, J. Jovicevic <sup>15</sup>, X. Ju <sup>17a</sup>, J.J. Junggeburth <sup>36</sup>, T. Junkermann <sup>63a</sup>, A. Juste Rozas <sup>13,x</sup>, M.K. Juzek <sup>87</sup>, S. Kabana <sup>138e</sup>, A. Kaczmariska <sup>87</sup>, M. Kado <sup>111</sup>, H. Kagan <sup>120</sup>, M. Kagan <sup>144</sup>, A. Kahn <sup>41</sup>, A. Kahn <sup>129</sup>, C. Kahra <sup>101</sup>, T. Kaji <sup>169</sup>, E. Kajomovitz <sup>151</sup>, N. Kakati <sup>170</sup>, I. Kalaitzidou <sup>54</sup>, C.W. Kalderon <sup>29</sup>, A. Kamenshchikov <sup>156</sup>, S. Kanayama <sup>155</sup>, N.J. Kang <sup>137</sup>, D. Kar <sup>33g</sup>, K. Karava <sup>127</sup>, M.J. Kareem <sup>157b</sup>, E. Karentzos <sup>54</sup>, I. Karknias <sup>153</sup>, O. Karkout <sup>115</sup>, S.N. Karpov <sup>38</sup>, Z.M. Karpova <sup>38</sup>, V. Kartvelishvili <sup>92</sup>,

A.N. Karyukhin <sup>37</sup>, E. Kasimi <sup>153</sup>, J. Katzy <sup>48</sup>, S. Kaur <sup>34</sup>, K. Kawade <sup>141</sup>, T. Kawamoto <sup>136</sup>,  
 E.F. Kay <sup>36</sup>, F.I. Kaya <sup>159</sup>, S. Kazakos <sup>108</sup>, V.F. Kazanin <sup>37</sup>, Y. Ke <sup>146</sup>, J.M. Keaveney <sup>33a</sup>,  
 R. Keeler <sup>166</sup>, G.V. Kehris <sup>61</sup>, J.S. Keller <sup>34</sup>, A.S. Kelly <sup>97</sup>, J.J. Kempster <sup>147</sup>, K.E. Kennedy <sup>41</sup>,  
 P.D. Kennedy <sup>101</sup>, O. Kepka <sup>132</sup>, B.P. Kerridge <sup>168</sup>, S. Kersten <sup>172</sup>, B.P. Kerševan <sup>94</sup>,  
 S. Keshri <sup>66</sup>, L. Keszezhova <sup>28a</sup>, S. Ketabchi Haghghat <sup>156</sup>, M. Khandoga <sup>128</sup>, A. Khanov <sup>122</sup>,  
 A.G. Kharlamov <sup>37</sup>, T. Kharlamova <sup>37</sup>, E.E. Khoda <sup>139</sup>, T.J. Khoo <sup>18</sup>, G. Khoriauli <sup>167</sup>,  
 J. Khubua <sup>150b</sup>, Y.A.R. Khwaira <sup>66</sup>, M. Kiehn <sup>36</sup>, A. Kilgallon <sup>124</sup>, D.W. Kim <sup>47a,47b</sup>,  
 Y.K. Kim <sup>39</sup>, N. Kimura <sup>97</sup>, A. Kirchhoff <sup>55</sup>, C. Kirfel <sup>24</sup>, F. Kirfel <sup>24</sup>, J. Kirk <sup>135</sup>,  
 A.E. Kiryunin <sup>111</sup>, C. Kitsaki <sup>10</sup>, O. Kivernyk <sup>24</sup>, M. Klassen <sup>63a</sup>, C. Klein <sup>34</sup>, L. Klein <sup>167</sup>,  
 M.H. Klein <sup>107</sup>, M. Klein <sup>93</sup>, S.B. Klein <sup>56</sup>, U. Klein <sup>93</sup>, P. Klimek <sup>36</sup>, A. Klimentov <sup>29</sup>,  
 T. Klioutchnikova <sup>36</sup>, P. Kluit <sup>115</sup>, S. Kluth <sup>111</sup>, E. Kneringer <sup>79</sup>, T.M. Knight <sup>156</sup>, A. Knue <sup>54</sup>,  
 R. Kobayashi <sup>88</sup>, S.F. Koch <sup>127</sup>, M. Kocian <sup>144</sup>, P. Kodyš <sup>134</sup>, D.M. Koeck <sup>124</sup>, P.T. Koenig <sup>24</sup>,  
 T. Koffas <sup>34</sup>, M. Kolb <sup>136</sup>, I. Koletsou <sup>4</sup>, T. Komarek <sup>123</sup>, K. Köneke <sup>54</sup>, A.X.Y. Kong <sup>1</sup>,  
 T. Kono <sup>119</sup>, N. Konstantinidis <sup>97</sup>, B. Konya <sup>99</sup>, R. Kopeliansky <sup>68</sup>, S. Koperny <sup>86a</sup>, K. Korcyl <sup>87</sup>,  
 K. Kordas <sup>153,f</sup>, G. Koren <sup>152</sup>, A. Korn <sup>97</sup>, S. Korn <sup>55</sup>, I. Korolkov <sup>13</sup>, N. Korotkova <sup>37</sup>,  
 B. Kortman <sup>115</sup>, O. Kortner <sup>111</sup>, S. Kortner <sup>111</sup>, W.H. Kostecka <sup>116</sup>, V.V. Kostyukhin <sup>142</sup>,  
 A. Kotsokechagia <sup>136</sup>, A. Kotwal <sup>51</sup>, A. Koulouris <sup>36</sup>, A. Kourkoumeli-Charalampidi <sup>73a,73b</sup>,  
 C. Kourkoumelis <sup>9</sup>, E. Kourlitis <sup>6</sup>, O. Kovanda <sup>147</sup>, R. Kowalewski <sup>166</sup>, W. Kozanecki <sup>136</sup>,  
 A.S. Kozhin <sup>37</sup>, V.A. Kramarenko <sup>37</sup>, G. Kramberger <sup>94</sup>, P. Kramer <sup>101</sup>, M.W. Krasny <sup>128</sup>,  
 A. Krasznahorkay <sup>36</sup>, J.W. Kraus <sup>172</sup>, J.A. Kremer <sup>101</sup>, T. Kresse <sup>50</sup>, J. Kretschmar <sup>93</sup>,  
 K. Kreul <sup>18</sup>, P. Krieger <sup>156</sup>, S. Krishnamurthy <sup>104</sup>, M. Krivos <sup>134</sup>, K. Krizka <sup>20</sup>,  
 K. Kroeninger <sup>49</sup>, H. Kroha <sup>111</sup>, J. Kroll <sup>132</sup>, J. Kroll <sup>129</sup>, K.S. Krowpman <sup>108</sup>, U. Kruchonak <sup>38</sup>,  
 H. Krüger <sup>24</sup>, N. Krumnack <sup>81</sup>, M.C. Kruse <sup>51</sup>, J.A. Krzysiak <sup>87</sup>, O. Kuchinskaja <sup>37</sup>, S. Kuday <sup>3a</sup>,  
 S. Kuehn <sup>36</sup>, R. Kuesters <sup>54</sup>, T. Kuhl <sup>48</sup>, V. Kukhtin <sup>38</sup>, Y. Kulchitsky <sup>37,a</sup>, S. Kuleshov <sup>138d,138b</sup>,  
 M. Kumar <sup>33g</sup>, N. Kumari <sup>103</sup>, A. Kupco <sup>132</sup>, T. Kupfer <sup>49</sup>, A. Kupich <sup>37</sup>, O. Kuprash <sup>54</sup>,  
 H. Kurashige <sup>85</sup>, L.L. Kurchaninov <sup>157a</sup>, O. Kurdysh <sup>66</sup>, Y.A. Kurochkin <sup>37</sup>, A. Kurova <sup>37</sup>,  
 M. Kuze <sup>155</sup>, A.K. Kvam <sup>104</sup>, J. Kvita <sup>123</sup>, T. Kwan <sup>105</sup>, N.G. Kyriacou <sup>107</sup>, L.A.O. Laatu <sup>103</sup>,  
 C. Lacasta <sup>164</sup>, F. Lacava <sup>75a,75b</sup>, H. Lacker <sup>18</sup>, D. Lacour <sup>128</sup>, N.N. Lad <sup>97</sup>, E. Ladygin <sup>38</sup>,  
 B. Laforge <sup>128</sup>, T. Lagouri <sup>138e</sup>, S. Lai <sup>55</sup>, I.K. Lakomic <sup>86a</sup>, N. Lalloue <sup>60</sup>, J.E. Lambert <sup>166,m</sup>,  
 S. Lammers <sup>68</sup>, W. Lampl <sup>7</sup>, C. Lampoudis <sup>153,f</sup>, A.N. Lancaster <sup>116</sup>, E. Lançon <sup>29</sup>,  
 U. Landgraf <sup>54</sup>, M.P.J. Landon <sup>95</sup>, V.S. Lang <sup>54</sup>, R.J. Langenberg <sup>104</sup>, O.K.B. Langrekken <sup>126</sup>,  
 A.J. Lankford <sup>161</sup>, F. Lanni <sup>36</sup>, K. Lantzsch <sup>24</sup>, A. Lanza <sup>73a</sup>, A. Lapertosa <sup>57b,57a</sup>,  
 J.F. Laporte <sup>136</sup>, T. Lari <sup>71a</sup>, F. Lasagni Manghi <sup>23b</sup>, M. Lassnig <sup>36</sup>, V. Latonova <sup>132</sup>,  
 A. Laudrain <sup>101</sup>, A. Laurier <sup>151</sup>, S.D. Lawlor <sup>96</sup>, Z. Lawrence <sup>102</sup>, M. Lazzaroni <sup>71a,71b</sup>, B. Le <sup>102</sup>,  
 E.M. Le Boulicaut <sup>51</sup>, B. Leban <sup>94</sup>, A. Lebedev <sup>81</sup>, M. LeBlanc <sup>36</sup>, F. Ledroit-Guillon <sup>60</sup>,  
 A.C.A. Lee <sup>97</sup>, S.C. Lee <sup>149</sup>, S. Lee <sup>47a,47b</sup>, T.F. Lee <sup>93</sup>, L.L. Leeuw <sup>33c</sup>, H.P. Lefebvre <sup>96</sup>,  
 M. Lefebvre <sup>166</sup>, C. Leggett <sup>17a</sup>, G. Lehmann Miotto <sup>36</sup>, M. Leigh <sup>56</sup>, W.A. Leight <sup>104</sup>,  
 W. Leinonen <sup>114</sup>, A. Leisos <sup>153,w</sup>, M.A.L. Leite <sup>83c</sup>, C.E. Leitgeb <sup>48</sup>, R. Leitner <sup>134</sup>,  
 K.J.C. Leney <sup>44</sup>, T. Lenz <sup>24</sup>, S. Leone <sup>74a</sup>, C. Leonidopoulos <sup>52</sup>, A. Leopold <sup>145</sup>, C. Leroy <sup>109</sup>,  
 R. Les <sup>108</sup>, C.G. Lester <sup>32</sup>, M. Levchenko <sup>37</sup>, J. Levêque <sup>4</sup>, D. Levin <sup>107</sup>, L.J. Levinson <sup>170</sup>,  
 M.P. Lewicki <sup>87</sup>, D.J. Lewis <sup>4</sup>, A. Li <sup>5</sup>, B. Li <sup>62b</sup>, C. Li <sup>62a</sup>, C-Q. Li <sup>62c</sup>, H. Li <sup>62a</sup>, H. Li <sup>62b</sup>,  
 H. Li <sup>14c</sup>, H. Li <sup>62b</sup>, K. Li <sup>139</sup>, L. Li <sup>62c</sup>, M. Li <sup>14a,14e</sup>, Q.Y. Li <sup>62a</sup>, S. Li <sup>14a,14e</sup>, S. Li <sup>62d,62c,e</sup>,  
 T. Li <sup>5,c</sup>, X. Li <sup>105</sup>, Z. Li <sup>127</sup>, Z. Li <sup>105</sup>, Z. Li <sup>93</sup>, Z. Li <sup>14a,14e</sup>, Z. Liang <sup>14a</sup>, M. Liberatore <sup>48</sup>,  
 B. Liberti <sup>76a</sup>, K. Lie <sup>64c</sup>, J. Lieber Marin <sup>83b</sup>, H. Lien <sup>68</sup>, K. Lin <sup>108</sup>, R.E. Lindley <sup>7</sup>,  
 J.H. Lindon <sup>2</sup>, A. Linss <sup>48</sup>, E. Lipeles <sup>129</sup>, A. Lipniacka <sup>16</sup>, A. Lister <sup>165</sup>, J.D. Little <sup>4</sup>,  
 B. Liu <sup>14a</sup>, B.X. Liu <sup>143</sup>, D. Liu <sup>62d,62c</sup>, J.B. Liu <sup>62a</sup>, J.K.K. Liu <sup>32</sup>, K. Liu <sup>62d,62c</sup>, M. Liu <sup>62a</sup>,  
 M.Y. Liu <sup>62a</sup>, P. Liu <sup>14a</sup>, Q. Liu <sup>62d,139,62c</sup>, X. Liu <sup>62a</sup>, Y. Liu <sup>14d,14e</sup>, Y.L. Liu <sup>107</sup>, Y.W. Liu <sup>62a</sup>,



J. Llorente Merino <sup>143</sup>, S.L. Lloyd <sup>95</sup>, E.M. Lobodzinska <sup>48</sup>, P. Loch <sup>7</sup>, S. Loffredo <sup>76a,76b</sup>, T. Lohse <sup>18</sup>, K. Lohwasser <sup>140</sup>, E. Loiacono <sup>48</sup>, M. Lokajicek <sup>132,\*</sup>, J.D. Lomas <sup>20</sup>, J.D. Long <sup>163</sup>, I. Longarini <sup>161</sup>, L. Longo <sup>70a,70b</sup>, R. Longo <sup>163</sup>, I. Lopez Paz <sup>67</sup>, A. Lopez Solis <sup>48</sup>, J. Lorenz <sup>110</sup>, N. Lorenzo Martinez <sup>4</sup>, A.M. Lory <sup>110</sup>, O. Loseva <sup>37</sup>, X. Lou <sup>47a,47b</sup>, X. Lou <sup>14a,14e</sup>, A. Lounis <sup>66</sup>, J. Love <sup>6</sup>, P.A. Love <sup>92</sup>, G. Lu <sup>14a,14e</sup>, M. Lu <sup>80</sup>, S. Lu <sup>129</sup>, Y.J. Lu <sup>65</sup>, H.J. Lubatti <sup>139</sup>, C. Luci <sup>75a,75b</sup>, F.L. Lucio Alves <sup>14c</sup>, A. Lucotte <sup>60</sup>, F. Luehring <sup>68</sup>, I. Luise <sup>146</sup>, O. Lukianchuk <sup>66</sup>, O. Lundberg <sup>145</sup>, B. Lund-Jensen <sup>145</sup>, N.A. Luongo <sup>124</sup>, M.S. Lutz <sup>152</sup>, D. Lynn <sup>29</sup>, H. Lyons <sup>93</sup>, R. Lysak <sup>132</sup>, E. Lytken <sup>99</sup>, V. Lyubushkin <sup>38</sup>, T. Lyubushkina <sup>38</sup>, M.M. Lyukova <sup>146</sup>, H. Ma <sup>29</sup>, K. Ma <sup>62a</sup>, L.L. Ma <sup>62b</sup>, Y. Ma <sup>122</sup>, D.M. Mac Donnell <sup>166</sup>, G. Maccarrone <sup>53</sup>, J.C. MacDonald <sup>101</sup>, R. Madar <sup>40</sup>, W.F. Mader <sup>50</sup>, J. Maeda <sup>85</sup>, T. Maeno <sup>29</sup>, M. Maerker <sup>50</sup>, H. Maguire <sup>140</sup>, V. Maiboroda <sup>136</sup>, A. Maio <sup>131a,131b,131d</sup>, K. Maj <sup>86a</sup>, O. Majersky <sup>48</sup>, S. Majewski <sup>124</sup>, N. Makovec <sup>66</sup>, V. Maksimovic <sup>15</sup>, B. Malaescu <sup>128</sup>, Pa. Malecki <sup>87</sup>, V.P. Maleev <sup>37</sup>, F. Malek <sup>60</sup>, M. Mali <sup>94</sup>, D. Malito <sup>96,q</sup>, U. Mallik <sup>80</sup>, S. Maltezos <sup>10</sup>, S. Malyukov <sup>38</sup>, J. Mamuzic <sup>13</sup>, G. Mancini <sup>53</sup>, G. Manco <sup>73a,73b</sup>, J.P. Mandalia <sup>95</sup>, I. Mandić <sup>94</sup>, L. Manhaes de Andrade Filho <sup>83a</sup>, I.M. Maniatis <sup>170</sup>, J. Manjarres Ramos <sup>103,af</sup>, D.C. Mankad <sup>170</sup>, A. Mann <sup>110</sup>, B. Mansoulie <sup>136</sup>, S. Manzoni <sup>36</sup>, A. Marantis <sup>153,w</sup>, G. Marchiori <sup>5</sup>, M. Marcisovsky <sup>132</sup>, C. Marcon <sup>71a,71b</sup>, M. Marinescu <sup>20</sup>, M. Marjanovic <sup>121</sup>, E.J. Marshall <sup>92</sup>, Z. Marshall <sup>17a</sup>, S. Marti-Garcia <sup>164</sup>, T.A. Martin <sup>168</sup>, V.J. Martin <sup>52</sup>, B. Martin dit Latour <sup>16</sup>, L. Martinelli <sup>75a,75b</sup>, M. Martinez <sup>13,x</sup>, P. Martinez Agullo <sup>164</sup>, V.I. Martinez Outschoorn <sup>104</sup>, P. Martinez Suarez <sup>13</sup>, S. Martin-Haugh <sup>135</sup>, V.S. Martoiu <sup>27b</sup>, A.C. Martyniuk <sup>97</sup>, A. Marzin <sup>36</sup>, D. Mascione <sup>78a,78b</sup>, L. Masetti <sup>101</sup>, T. Mashimo <sup>154</sup>, J. Masik <sup>102</sup>, A.L. Maslennikov <sup>37</sup>, L. Massa <sup>23b</sup>, P. Massarotti <sup>72a,72b</sup>, P. Mastrandrea <sup>74a,74b</sup>, A. Mastroberardino <sup>43b,43a</sup>, T. Masubuchi <sup>154</sup>, T. Mathisen <sup>162</sup>, J. Matousek <sup>134</sup>, N. Matsuzawa <sup>154</sup>, J. Maurer <sup>27b</sup>, B. Maček <sup>94</sup>, D.A. Maximov <sup>37</sup>, R. Mazini <sup>149</sup>, I. Maznas <sup>153</sup>, M. Mazza <sup>108</sup>, S.M. Mazza <sup>137</sup>, E. Mazzeo <sup>71a,71b</sup>, C. Mc Ginn <sup>29</sup>, J.P. Mc Gowan <sup>105</sup>, S.P. Mc Kee <sup>107</sup>, E.F. McDonald <sup>106</sup>, A.E. McDougall <sup>115</sup>, J.A. Mcfayden <sup>147</sup>, R.P. McGovern <sup>129</sup>, G. Mchedlidze <sup>150b</sup>, R.P. Mckenzie <sup>33g</sup>, T.C. McLachlan <sup>48</sup>, D.J. McLaughlin <sup>97</sup>, K.D. McLean <sup>166</sup>, S.J. McMahon <sup>135</sup>, P.C. McNamara <sup>106</sup>, C.M. Mcpartland <sup>93</sup>, R.A. McPherson <sup>166,ab</sup>, S. Mehlhase <sup>110</sup>, A. Mehta <sup>93</sup>, D. Melini <sup>151</sup>, B.R. Mellado Garcia <sup>33g</sup>, A.H. Melo <sup>55</sup>, F. Meloni <sup>48</sup>, A.M. Mendes Jacques Da Costa <sup>102</sup>, H.Y. Meng <sup>156</sup>, L. Meng <sup>92</sup>, S. Menke <sup>111</sup>, M. Mentink <sup>36</sup>, E. Meoni <sup>43b,43a</sup>, C. Merlassino <sup>127</sup>, L. Merola <sup>72a,72b</sup>, C. Meroni <sup>71a</sup>, G. Merz <sup>107</sup>, O. Meshkov <sup>37</sup>, J. Metcalfe <sup>6</sup>, A.S. Mete <sup>6</sup>, C. Meyer <sup>68</sup>, J.-P. Meyer <sup>136</sup>, R.P. Middleton <sup>135</sup>, L. Mijović <sup>52</sup>, G. Mikenberg <sup>170</sup>, M. Mikestikova <sup>132</sup>, M. Mikuž <sup>94</sup>, H. Mildner <sup>101</sup>, A. Milic <sup>36</sup>, C.D. Milke <sup>44</sup>, D.W. Miller <sup>39</sup>, L.S. Miller <sup>34</sup>, A. Milov <sup>170</sup>, D.A. Milstead <sup>47a,47b</sup>, T. Min <sup>14c</sup>, A.A. Minaenko <sup>37</sup>, I.A. Minashvili <sup>150b</sup>, L. Mince <sup>59</sup>, A.I. Mincer <sup>118</sup>, B. Mindur <sup>86a</sup>, M. Mineev <sup>38</sup>, Y. Mino <sup>88</sup>, L.M. Mir <sup>13</sup>, M. Miralles Lopez <sup>164</sup>, M. Mironova <sup>17a</sup>, A. Mishima <sup>154</sup>, M.C. Missio <sup>114</sup>, T. Mitani <sup>169</sup>, A. Mitra <sup>168</sup>, V.A. Mitsou <sup>164</sup>, O. Miu <sup>156</sup>, P.S. Miyagawa <sup>95</sup>, Y. Miyazaki <sup>90</sup>, A. Mizukami <sup>84</sup>, T. Mkrtchyan <sup>63a</sup>, M. Mlinarevic <sup>97</sup>, T. Mlinarevic <sup>97</sup>, M. Mlynarikova <sup>36</sup>, S. Mobius <sup>19</sup>, K. Mochizuki <sup>109</sup>, P. Moder <sup>48</sup>, P. Mogg <sup>110</sup>, A.F. Mohammed <sup>14a,14e</sup>, S. Mohapatra <sup>41</sup>, G. Mokgatitwane <sup>33g</sup>, L. Moleri <sup>170</sup>, B. Mondal <sup>142</sup>, S. Mondal <sup>133</sup>, G. Monig <sup>147</sup>, K. Mönig <sup>48</sup>, E. Monnier <sup>103</sup>, L. Monsonis Romero <sup>164</sup>, J. Montejo Berlingen <sup>13,84</sup>, M. Montella <sup>120</sup>, F. Montekali <sup>77a,77b</sup>, F. Monticelli <sup>91</sup>, S. Monzani <sup>69a,69c</sup>, N. Morange <sup>66</sup>, A.L. Moreira De Carvalho <sup>131a</sup>, M. Moreno Llácer <sup>164</sup>, C. Moreno Martinez <sup>56</sup>, P. Morettini <sup>57b</sup>, S. Morgenstern <sup>36</sup>, M. Morii <sup>61</sup>, M. Morinaga <sup>154</sup>, A.K. Morley <sup>36</sup>, F. Morodei <sup>75a,75b</sup>, L. Morvaj <sup>36</sup>, P. Moschovakos <sup>36</sup>, B. Moser <sup>36</sup>, M. Mosidze <sup>150b</sup>, T. Moskalets <sup>54</sup>, P. Moskvitina <sup>114</sup>, J. Moss <sup>31,o</sup>, E.J.W. Moyse <sup>104</sup>, O. Mtintsilana <sup>33g</sup>, S. Muanza <sup>103</sup>,

J. Mueller <sup>130</sup>, D. Muenstermann <sup>92</sup>, R. Müller <sup>19</sup>, G.A. Mullier <sup>162</sup>, A.J. Mullin<sup>32</sup>, J.J. Mullin<sup>129</sup>, D.P. Mungo <sup>156</sup>, D. Munoz Perez <sup>164</sup>, F.J. Munoz Sanchez <sup>102</sup>, M. Murin <sup>102</sup>, W.J. Murray <sup>168,135</sup>, A. Murrone <sup>71a,71b</sup>, J.M. Muse <sup>121</sup>, M. Muškinja <sup>17a</sup>, C. Mwewa <sup>29</sup>, A.G. Myagkov <sup>37,a</sup>, A.J. Myers <sup>8</sup>, A.A. Myers<sup>130</sup>, G. Myers <sup>68</sup>, M. Myska <sup>133</sup>, B.P. Nachman <sup>17a</sup>, O. Nackenhorst <sup>49</sup>, A. Nag <sup>50</sup>, K. Nagai <sup>127</sup>, K. Nagano <sup>84</sup>, J.L. Nagle <sup>29,am</sup>, E. Nagy <sup>103</sup>, A.M. Nairz <sup>36</sup>, Y. Nakahama <sup>84</sup>, K. Nakamura <sup>84</sup>, K. Nakkalil <sup>5</sup>, H. Nanjo <sup>125</sup>, R. Narayan <sup>44</sup>, E.A. Narayanan <sup>113</sup>, I. Naryshkin <sup>37</sup>, M. Naseri <sup>34</sup>, S. Nasri <sup>160</sup>, C. Nass <sup>24</sup>, G. Navarro <sup>22a</sup>, J. Navarro-Gonzalez <sup>164</sup>, R. Nayak <sup>152</sup>, A. Nayaz <sup>18</sup>, P.Y. Nechaeva <sup>37</sup>, F. Nechansky <sup>48</sup>, L. Nedic <sup>127</sup>, T.J. Neep <sup>20</sup>, A. Negri <sup>73a,73b</sup>, M. Negrini <sup>23b</sup>, C. Nellist <sup>115</sup>, C. Nelson <sup>105</sup>, K. Nelson <sup>107</sup>, S. Nemecek <sup>132</sup>, M. Nessi <sup>36,i</sup>, M.S. Neubauer <sup>163</sup>, F. Neuhaus <sup>101</sup>, J. Neundorf <sup>48</sup>, R. Newhouse <sup>165</sup>, P.R. Newman <sup>20</sup>, C.W. Ng <sup>130</sup>, Y.W.Y. Ng <sup>48</sup>, B. Ngair <sup>35e</sup>, H.D.N. Nguyen <sup>109</sup>, R.B. Nickerson <sup>127</sup>, R. Nicolaidou <sup>136</sup>, J. Nielsen <sup>137</sup>, M. Niemeyer <sup>55</sup>, J. Niermann <sup>55,36</sup>, N. Nikiforou <sup>36</sup>, V. Nikolaenko <sup>37,a</sup>, I. Nikolic-Audit <sup>128</sup>, K. Nikolopoulos <sup>20</sup>, P. Nilsson <sup>29</sup>, I. Ninca <sup>48</sup>, H.R. Nindhito <sup>56</sup>, G. Ninio <sup>152</sup>, A. Nisati <sup>75a</sup>, N. Nishu <sup>2</sup>, R. Nisius <sup>111</sup>, J-E. Nitschke <sup>50</sup>, E.K. Nkadimeng <sup>33g</sup>, S.J. Noacco Rosende <sup>91</sup>, T. Nobe <sup>154</sup>, D.L. Noel <sup>32</sup>, T. Nommensen <sup>148</sup>, M.B. Norfolk <sup>140</sup>, R.R.B. Norisam <sup>97</sup>, B.J. Norman <sup>34</sup>, J. Novak <sup>94</sup>, T. Novak <sup>48</sup>, L. Novotny <sup>133</sup>, R. Novotny <sup>113</sup>, L. Nozka <sup>123</sup>, K. Ntekas <sup>161</sup>, N.M.J. Nunes De Moura Junior <sup>83b</sup>, E. Nurse<sup>97</sup>, J. Ocariz <sup>128</sup>, A. Ochi <sup>85</sup>, I. Ochoa <sup>131a</sup>, S. Oerde <sup>162</sup>, J.T. Offermann <sup>39</sup>, A. Ogrodnik <sup>134</sup>, A. Oh <sup>102</sup>, C.C. Ohm <sup>145</sup>, H. Oide <sup>84</sup>, R. Oishi <sup>154</sup>, M.L. Ojeda <sup>48</sup>, Y. Okazaki <sup>88</sup>, M.W. O'Keefe<sup>93</sup>, Y. Okumura <sup>154</sup>, L.F. Oleiro Seabra <sup>131a</sup>, S.A. Olivares Pino <sup>138d</sup>, D. Oliveira Damazio <sup>29</sup>, D. Oliveira Goncalves <sup>83a</sup>, J.L. Oliver <sup>161</sup>, A. Olszewski <sup>87</sup>, Ö.O. Öncel <sup>54</sup>, D.C. O'Neil <sup>143</sup>, A.P. O'Neill <sup>19</sup>, A. Onofre <sup>131a,131e</sup>, P.U.E. Onyisi <sup>11</sup>, M.J. Oreglia <sup>39</sup>, G.E. Orellana <sup>91</sup>, D. Orestano <sup>77a,77b</sup>, N. Orlando <sup>13</sup>, R.S. Orr <sup>156</sup>, V. O'Shea <sup>59</sup>, L.M. Osojnak <sup>129</sup>, R. Ospanov <sup>62a</sup>, G. Otero y Garzon <sup>30</sup>, H. Otono <sup>90</sup>, P.S. Ott <sup>63a</sup>, G.J. Ottino <sup>17a</sup>, M. Ouchrif <sup>35d</sup>, J. Ouellette <sup>29</sup>, F. Ould-Saada <sup>126</sup>, M. Owen <sup>59</sup>, R.E. Owen <sup>135</sup>, K.Y. Oyulmaz <sup>21a</sup>, V.E. Ozcan <sup>21a</sup>, N. Ozturk <sup>8</sup>, S. Ozturk <sup>82</sup>, H.A. Pacey <sup>32</sup>, A. Pacheco Pages <sup>13</sup>, C. Padilla Aranda <sup>13</sup>, G. Padovano <sup>75a,75b</sup>, S. Pagan Griso <sup>17a</sup>, G. Palacino <sup>68</sup>, A. Palazzo <sup>70a,70b</sup>, S. Palestini <sup>36</sup>, J. Pan <sup>173</sup>, T. Pan <sup>64a</sup>, D.K. Panchal <sup>11</sup>, C.E. Pandini <sup>115</sup>, J.G. Panduro Vazquez <sup>96</sup>, H. Pang <sup>14b</sup>, P. Pani <sup>48</sup>, G. Panizzo <sup>69a,69c</sup>, L. Paolozzi <sup>56</sup>, C. Papadatos <sup>109</sup>, S. Parajuli <sup>44</sup>, A. Paramonov <sup>6</sup>, C. Paraskevopoulos <sup>10</sup>, D. Paredes Hernandez <sup>64b</sup>, T.H. Park <sup>156</sup>, M.A. Parker <sup>32</sup>, F. Parodi <sup>57b,57a</sup>, E.W. Parrish <sup>116</sup>, V.A. Parrish <sup>52</sup>, J.A. Parsons <sup>41</sup>, U. Parzefall <sup>54</sup>, B. Pascual Dias <sup>109</sup>, L. Pascual Dominguez <sup>152</sup>, F. Pasquali <sup>115</sup>, E. Pasqualucci <sup>75a</sup>, S. Passaggio <sup>57b</sup>, F. Pastore <sup>96</sup>, P. Pasuwan <sup>47a,47b</sup>, P. Patel <sup>87</sup>, U.M. Patel <sup>51</sup>, J.R. Pater <sup>102</sup>, T. Pauly <sup>36</sup>, J. Pearkes <sup>144</sup>, M. Pedersen <sup>126</sup>, R. Pedro <sup>131a</sup>, S.V. Peleganchuk <sup>37</sup>, O. Penc <sup>36</sup>, E.A. Pender <sup>52</sup>, H. Peng <sup>62a</sup>, K.E. Pensi <sup>110</sup>, M. Penzin <sup>37</sup>, B.S. Peralva <sup>83d</sup>, A.P. Pereira Peixoto <sup>60</sup>, L. Pereira Sanchez <sup>47a,47b</sup>, D.V. Perepelitsa <sup>29,am</sup>, E. Perez Codina <sup>157a</sup>, M. Perganti <sup>10</sup>, L. Perini <sup>71a,71b,\*</sup>, H. Pernegger <sup>36</sup>, A. Perrevoort <sup>114</sup>, O. Perrin <sup>40</sup>, K. Peters <sup>48</sup>, R.F.Y. Peters <sup>102</sup>, B.A. Petersen <sup>36</sup>, T.C. Petersen <sup>42</sup>, E. Petit <sup>103</sup>, V. Petousis <sup>133</sup>, C. Petridou <sup>153,f</sup>, A. Petrukhin <sup>142</sup>, M. Pettee <sup>17a</sup>, N.E. Pettersson <sup>36</sup>, A. Petukhov <sup>37</sup>, K. Petukhova <sup>134</sup>, A. Peyaud <sup>136</sup>, R. Pezoa <sup>138f</sup>, L. Pezzotti <sup>36</sup>, G. Pezzullo <sup>173</sup>, T.M. Pham <sup>171</sup>, T. Pham <sup>106</sup>, P.W. Phillips <sup>135</sup>, G. Piacquadio <sup>146</sup>, E. Pianori <sup>17a</sup>, F. Piazza <sup>71a,71b</sup>, R. Piegai <sup>30</sup>, D. Pietreanu <sup>27b</sup>, A.D. Pilkington <sup>102</sup>, M. Pinamonti <sup>69a,69c</sup>, J.L. Pinfeld <sup>2</sup>, B.C. Pinheiro Pereira <sup>131a</sup>, A.E. Pinto Pinoargote <sup>136</sup>, K.M. Piper <sup>147</sup>, A. Pirttikoski <sup>56</sup>, C. Pitman Donaldson<sup>97</sup>, D.A. Pizzi <sup>34</sup>, L. Pizzimento <sup>76a,76b</sup>, A. Pizzini <sup>115</sup>, M.-A. Pleier <sup>29</sup>, V. Plesanovs<sup>54</sup>, V. Pleskot <sup>134</sup>, E. Plotnikova<sup>38</sup>, G. Poddar <sup>4</sup>, R. Poettgen <sup>99</sup>, L. Poggioli <sup>128</sup>, I. Pokharel <sup>55</sup>, S. Polacek <sup>134</sup>, G. Polesello <sup>73a</sup>, A. Poley <sup>143,157a</sup>, R. Polifka <sup>133</sup>, A. Polini <sup>23b</sup>, C.S. Pollard <sup>168</sup>, Z.B. Pollock <sup>120</sup>, V. Polychronakos <sup>29</sup>,



E. Pompa Pacchi [ID75a,75b](#), D. Ponomarenko [ID114](#), L. Pontecorvo [ID36](#), S. Popa [ID27a](#), G.A. Popeneciu [ID27d](#),  
 A. Poreba [ID36](#), D.M. Portillo Quintero [ID157a](#), S. Pospisil [ID133](#), M.A. Postill [ID140](#), P. Postolache [ID27c](#),  
 K. Potamianos [ID168](#), P.A. Potepa [ID86a](#), I.N. Potrap [ID38](#), C.J. Potter [ID32](#), H. Potti [ID1](#), T. Poulsen [ID48](#),  
 J. Poveda [ID164](#), M.E. Pozo Astigarraga [ID36](#), A. Prades Ibanez [ID164](#), J. Pretel [ID54](#), D. Price [ID102](#),  
 M. Primavera [ID70a](#), M.A. Principe Martin [ID100](#), R. Privara [ID123](#), T. Procter [ID59](#), M.L. Proffitt [ID139](#),  
 N. Proklova [ID129](#), K. Prokofiev [ID64c](#), G. Proto [ID111](#), S. Protopopescu [ID29](#), J. Proudfoot [ID6](#),  
 M. Przybycien [ID86a](#), W.W. Przygoda [ID86b](#), J.E. Puddefoot [ID140](#), D. Pudzha [ID37](#), D. Pyatiizbyantseva [ID37](#),  
 J. Qian [ID107](#), D. Qichen [ID102](#), Y. Qin [ID102](#), T. Qiu [ID52](#), A. Quadt [ID55](#), M. Queitsch-Maitland [ID102](#),  
 G. Quetant [ID56](#), G. Rabanal Bolanos [ID61](#), D. Rafanoharana [ID54](#), F. Ragusa [ID71a,71b](#), J.L. Rainbolt [ID39](#),  
 J.A. Raine [ID56](#), S. Rajagopalan [ID29](#), E. Ramakoti [ID37](#), K. Ran [ID48,14e](#), N.P. Rapheeha [ID33g](#),  
 H. Rasheed [ID27b](#), V. Raskina [ID128](#), D.F. Rassloff [ID63a](#), S. Rave [ID101](#), B. Ravina [ID55](#), I. Ravinovich [ID170](#),  
 M. Raymond [ID36](#), A.L. Read [ID126](#), N.P. Readioff [ID140](#), D.M. Rebutzi [ID73a,73b](#), G. Redlinger [ID29](#),  
 A.S. Reed [ID111](#), K. Reeves [ID26](#), J.A. Reidelsturz [ID172,v](#), D. Reikher [ID152](#), A. Rej [ID142](#), C. Rembser [ID36](#),  
 A. Renardi [ID48](#), M. Renda [ID27b](#), M.B. Rendel [ID111](#), F. Renner [ID48](#), A.G. Rennie [ID59](#), S. Resconi [ID71a](#),  
 M. Ressegotti [ID57b,57a](#), S. Rettie [ID36](#), J.G. Reyes Rivera [ID108](#), B. Reynolds [ID120](#), E. Reynolds [ID17a](#),  
 O.L. Rezanova [ID37](#), P. Reznicek [ID134](#), N. Ribaric [ID92](#), E. Ricci [ID78a,78b](#), R. Richter [ID111](#),  
 S. Richter [ID47a,47b](#), E. Richter-Was [ID86b](#), M. Ridel [ID128](#), S. Ridouani [ID35d](#), P. Rieck [ID118](#), P. Riedler [ID36](#),  
 M. Rijssenbeek [ID146](#), A. Rimoldi [ID73a,73b](#), M. Rimoldi [ID48](#), L. Rinaldi [ID23b,23a](#), T.T. Rinn [ID29](#),  
 M.P. Rinnagel [ID110](#), G. Ripellino [ID162](#), I. Riu [ID13](#), P. Rivadeneira [ID48](#), J.C. Rivera Vergara [ID166](#),  
 F. Rizatdinova [ID122](#), E. Rizvi [ID95](#), B.A. Roberts [ID168](#), B.R. Roberts [ID17a](#), S.H. Robertson [ID105,ab](#),  
 M. Robin [ID48](#), D. Robinson [ID32](#), C.M. Robles Gajardo [ID138f](#), M. Robles Manzano [ID101](#), A. Robson [ID59](#),  
 A. Rocchi [ID76a,76b](#), C. Roda [ID74a,74b](#), S. Rodriguez Bosca [ID63a](#), Y. Rodriguez Garcia [ID22a](#),  
 A. Rodriguez Rodriguez [ID54](#), A.M. Rodríguez Vera [ID157b](#), S. Roe [ID36](#), J.T. Roemer [ID161](#),  
 A.R. Roepe-Gier [ID137](#), J. Roggel [ID172](#), O. Røhne [ID126](#), R.A. Rojas [ID104](#), C.P.A. Roland [ID68](#), J. Roloff [ID29](#),  
 A. Romaniouk [ID37](#), E. Romano [ID73a,73b](#), M. Romano [ID23b](#), A.C. Romero Hernandez [ID163](#),  
 N. Rompotis [ID93](#), L. Roos [ID128](#), S. Rosati [ID75a](#), B.J. Rosser [ID39](#), E. Rossi [ID127](#), E. Rossi [ID72a,72b](#),  
 L.P. Rossi [ID57b](#), L. Rossini [ID48](#), R. Rosten [ID120](#), M. Rotaru [ID27b](#), B. Rottler [ID54](#), C. Rougier [ID103,af](#),  
 D. Rousseau [ID66](#), D. Rousso [ID32](#), A. Roy [ID163](#), S. Roy-Garand [ID156](#), A. Rozanov [ID103](#), Y. Rozen [ID151](#),  
 X. Ruan [ID33g](#), A. Rubio Jimenez [ID164](#), A.J. Ruby [ID93](#), V.H. Ruelas Rivera [ID18](#), T.A. Ruggeri [ID1](#),  
 A. Ruggiero [ID127](#), A. Ruiz-Martinez [ID164](#), A. Rummler [ID36](#), Z. Rurikova [ID54](#), N.A. Rusakovich [ID38](#),  
 H.L. Russell [ID166](#), G. Russo [ID75a,75b](#), J.P. Rutherford [ID7](#), S. Rutherford Colmenares [ID32](#), K. Rybacki [ID92](#),  
 M. Rybar [ID134](#), E.B. Rye [ID126](#), A. Ryzhov [ID44](#), J.A. Sabater Iglesias [ID56](#), P. Sabatini [ID164](#),  
 L. Sabetta [ID75a,75b](#), H.F-W. Sadrozinski [ID137](#), F. Safai Tehrani [ID75a](#), B. Safarzadeh Samani [ID147](#),  
 M. Safdari [ID144](#), S. Saha [ID166](#), M. Sahinsoy [ID111](#), M. Saimpert [ID136](#), M. Saito [ID154](#), T. Saito [ID154](#),  
 D. Salamani [ID36](#), A. Salnikov [ID144](#), J. Salt [ID164](#), A. Salvador Salas [ID13](#), D. Salvatore [ID43b,43a](#),  
 F. Salvatore [ID147](#), A. Salzburger [ID36](#), D. Sammel [ID54](#), D. Sampsonidis [ID153,f](#), D. Sampsonidou [ID124](#),  
 J. Sánchez [ID164](#), A. Sanchez Pineda [ID4](#), V. Sanchez Sebastian [ID164](#), H. Sandaker [ID126](#), C.O. Sander [ID48](#),  
 J.A. Sandesara [ID104](#), M. Sandhoff [ID172](#), C. Sandoval [ID22b](#), D.P.C. Sankey [ID135](#), T. Sano [ID88](#),  
 A. Sansoni [ID53](#), L. Santi [ID75a,75b](#), C. Santoni [ID40](#), H. Santos [ID131a,131b](#), S.N. Santpur [ID17a](#), A. Santra [ID170](#),  
 K.A. Saoucha [ID140](#), J.G. Saraiva [ID131a,131d](#), J. Sardain [ID7](#), O. Sasaki [ID84](#), K. Sato [ID158](#), C. Sauer [ID63b](#),  
 F. Sauerburger [ID54](#), E. Sauvan [ID4](#), P. Savard [ID156,ak](#), R. Sawada [ID154](#), C. Sawyer [ID135](#), L. Sawyer [ID98](#),  
 I. Sayago Galvan [ID164](#), C. Sbarra [ID23b](#), A. Sbrizzi [ID23b,23a](#), T. Scanlon [ID97](#), J. Schaarschmidt [ID139](#),  
 P. Schacht [ID111](#), D. Schaefer [ID39](#), U. Schäfer [ID101](#), A.C. Schaffer [ID66,44](#), D. Schaile [ID110](#),  
 R.D. Schamberger [ID146](#), C. Scharf [ID18](#), M.M. Schefer [ID19](#), V.A. Schegelsky [ID37](#), D. Scheirich [ID134](#),  
 F. Schenck [ID18](#), M. Schernau [ID161](#), C. Scheulen [ID55](#), C. Schiavi [ID57b,57a](#), E.J. Schioppa [ID70a,70b](#),  
 M. Schioppa [ID43b,43a](#), B. Schlag [ID144,r](#), K.E. Schleicher [ID54](#), S. Schlenker [ID36](#), J. Schmeing [ID172](#),  
 M.A. Schmidt [ID172](#), K. Schmieden [ID101](#), C. Schmitt [ID101](#), S. Schmitt [ID48](#), L. Schoeffel [ID136](#),

A. Schoening [id](#)<sup>63b</sup>, P.G. Scholer [id](#)<sup>54</sup>, E. Schopf [id](#)<sup>127</sup>, M. Schott [id](#)<sup>101</sup>, J. Schovancova [id](#)<sup>36</sup>,  
 S. Schramm [id](#)<sup>56</sup>, F. Schroeder [id](#)<sup>172</sup>, T. Schroer [id](#)<sup>56</sup>, H-C. Schultz-Coulon [id](#)<sup>63a</sup>, M. Schumacher [id](#)<sup>54</sup>,  
 B.A. Schumm [id](#)<sup>137</sup>, Ph. Schune [id](#)<sup>136</sup>, A.J. Schuy [id](#)<sup>139</sup>, H.R. Schwartz [id](#)<sup>137</sup>, A. Schwartzman [id](#)<sup>144</sup>,  
 T.A. Schwarz [id](#)<sup>107</sup>, Ph. Schwemling [id](#)<sup>136</sup>, R. Schwienhorst [id](#)<sup>108</sup>, A. Sciandra [id](#)<sup>137</sup>, G. Sciolla [id](#)<sup>26</sup>,  
 F. Scuri [id](#)<sup>74a</sup>, C.D. Sebastiani [id](#)<sup>93</sup>, K. Sedlaczek [id](#)<sup>116</sup>, P. Seema [id](#)<sup>18</sup>, S.C. Seidel [id](#)<sup>113</sup>, A. Seiden [id](#)<sup>137</sup>,  
 B.D. Seidlitz [id](#)<sup>41</sup>, C. Seitz [id](#)<sup>48</sup>, J.M. Seixas [id](#)<sup>83b</sup>, G. Sekhniaidze [id](#)<sup>72a</sup>, S.J. Sekula [id](#)<sup>44</sup>, L. Selem [id](#)<sup>60</sup>,  
 N. Semprini-Cesari [id](#)<sup>23b,23a</sup>, D. Sengupta [id](#)<sup>56</sup>, V. Senthilkumar [id](#)<sup>164</sup>, L. Serin [id](#)<sup>66</sup>, L. Serkin [id](#)<sup>69a,69b</sup>,  
 M. Sessa [id](#)<sup>76a,76b</sup>, H. Severini [id](#)<sup>121</sup>, F. Sforza [id](#)<sup>57b,57a</sup>, A. Sfyrla [id](#)<sup>56</sup>, E. Shabalina [id](#)<sup>55</sup>, R. Shaheen [id](#)<sup>145</sup>,  
 J.D. Shahinian [id](#)<sup>129</sup>, D. Shaked Renous [id](#)<sup>170</sup>, L.Y. Shan [id](#)<sup>14a</sup>, M. Shapiro [id](#)<sup>17a</sup>, A. Sharma [id](#)<sup>36</sup>,  
 A.S. Sharma [id](#)<sup>165</sup>, P. Sharma [id](#)<sup>80</sup>, S. Sharma [id](#)<sup>48</sup>, P.B. Shatalov [id](#)<sup>37</sup>, K. Shaw [id](#)<sup>147</sup>, S.M. Shaw [id](#)<sup>102</sup>,  
 A. Shcherbakova [id](#)<sup>37</sup>, Q. Shen [id](#)<sup>62c,5</sup>, P. Sherwood [id](#)<sup>97</sup>, L. Shi [id](#)<sup>97</sup>, X. Shi [id](#)<sup>14a</sup>, C.O. Shimmin [id](#)<sup>173</sup>,  
 Y. Shimogama [id](#)<sup>169</sup>, J.D. Shinner [id](#)<sup>96</sup>, I.P.J. Shipsey [id](#)<sup>127</sup>, S. Shirabe [id](#)<sup>56,i</sup>, M. Shiyakova [id](#)<sup>38,z</sup>,  
 J. Shlomi [id](#)<sup>170</sup>, M.J. Shochet [id](#)<sup>39</sup>, J. Shojaii [id](#)<sup>106</sup>, D.R. Shope [id](#)<sup>126</sup>, B. Shrestha [id](#)<sup>121</sup>, S. Shrestha [id](#)<sup>120,an</sup>,  
 E.M. Shrif [id](#)<sup>33g</sup>, M.J. Shroff [id](#)<sup>166</sup>, P. Sicho [id](#)<sup>132</sup>, A.M. Sickles [id](#)<sup>163</sup>, E. Sideras Haddad [id](#)<sup>33g</sup>,  
 A. Sidoti [id](#)<sup>23b</sup>, F. Siegert [id](#)<sup>50</sup>, Dj. Sijacki [id](#)<sup>15</sup>, R. Sikora [id](#)<sup>86a</sup>, F. Sili [id](#)<sup>91</sup>, J.M. Silva [id](#)<sup>20</sup>,  
 M.V. Silva Oliveira [id](#)<sup>29</sup>, S.B. Silverstein [id](#)<sup>47a</sup>, S. Simion [id](#)<sup>66</sup>, R. Simoniello [id](#)<sup>36</sup>, E.L. Simpson [id](#)<sup>59</sup>,  
 H. Simpson [id](#)<sup>147</sup>, L.R. Simpson [id](#)<sup>107</sup>, N.D. Simpson [id](#)<sup>99</sup>, S. Simsek [id](#)<sup>82</sup>, S. Sindhu [id](#)<sup>55</sup>, P. Sinervo [id](#)<sup>156</sup>,  
 S. Singh [id](#)<sup>156</sup>, S. Sinha [id](#)<sup>48</sup>, S. Sinha [id](#)<sup>102</sup>, M. Sioli [id](#)<sup>23b,23a</sup>, I. Siral [id](#)<sup>36</sup>, E. Sitnikova [id](#)<sup>48</sup>,  
 S.Yu. Sivoklokov [id](#)<sup>37,\*</sup>, J. Sjölin [id](#)<sup>47a,47b</sup>, A. Skaf [id](#)<sup>55</sup>, E. Skorda [id](#)<sup>99</sup>, P. Skubic [id](#)<sup>121</sup>, M. Slawinska [id](#)<sup>87</sup>,  
 V. Smakhtin [id](#)<sup>170</sup>, B.H. Smart [id](#)<sup>135</sup>, J. Smiesko [id](#)<sup>36</sup>, S.Yu. Smirnov [id](#)<sup>37</sup>, Y. Smirnov [id](#)<sup>37</sup>,  
 L.N. Smirnova [id](#)<sup>37,a</sup>, O. Smirnova [id](#)<sup>99</sup>, A.C. Smith [id](#)<sup>41</sup>, E.A. Smith [id](#)<sup>39</sup>, H.A. Smith [id](#)<sup>127</sup>,  
 J.L. Smith [id](#)<sup>93</sup>, R. Smith [id](#)<sup>144</sup>, M. Smizanska [id](#)<sup>92</sup>, K. Smolek [id](#)<sup>133</sup>, A.A. Snesarev [id](#)<sup>37</sup>, S.R. Snider [id](#)<sup>156</sup>,  
 H.L. Snoek [id](#)<sup>115</sup>, S. Snyder [id](#)<sup>29</sup>, R. Sobie [id](#)<sup>166,ab</sup>, A. Soffer [id](#)<sup>152</sup>, C.A. Solans Sanchez [id](#)<sup>36</sup>,  
 E.Yu. Soldatov [id](#)<sup>37</sup>, U. Soldevila [id](#)<sup>164</sup>, A.A. Solodkov [id](#)<sup>37</sup>, S. Solomon [id](#)<sup>26</sup>, A. Soloshenko [id](#)<sup>38</sup>,  
 K. Solovieva [id](#)<sup>54</sup>, O.V. Solovyanov [id](#)<sup>40</sup>, V. Solovyev [id](#)<sup>37</sup>, P. Sommer [id](#)<sup>36</sup>, A. Sonay [id](#)<sup>13</sup>,  
 W.Y. Song [id](#)<sup>157b</sup>, J.M. Sonneveld [id](#)<sup>115</sup>, A. Sopczak [id](#)<sup>133</sup>, A.L. Soppio [id](#)<sup>97</sup>, F. Sopkova [id](#)<sup>28b</sup>,  
 V. Sothilingam [id](#)<sup>63a</sup>, S. Sottocornola [id](#)<sup>68</sup>, R. Soualah [id](#)<sup>117b</sup>, Z. Soumami [id](#)<sup>35e</sup>, D. South [id](#)<sup>48</sup>,  
 S. Spagnolo [id](#)<sup>70a,70b</sup>, M. Spalla [id](#)<sup>111</sup>, D. Sperlich [id](#)<sup>54</sup>, G. Spigo [id](#)<sup>36</sup>, M. Spina [id](#)<sup>147</sup>, S. Spinali [id](#)<sup>92</sup>,  
 D.P. Spiteri [id](#)<sup>59</sup>, M. Spousta [id](#)<sup>134</sup>, E.J. Staats [id](#)<sup>34</sup>, A. Stabile [id](#)<sup>71a,71b</sup>, R. Stamen [id](#)<sup>63a</sup>,  
 M. Stamenkovic [id](#)<sup>115</sup>, A. Stampekis [id](#)<sup>20</sup>, M. Standke [id](#)<sup>24</sup>, E. Stanecka [id](#)<sup>87</sup>, M.V. Stange [id](#)<sup>50</sup>,  
 B. Stanislaus [id](#)<sup>17a</sup>, M.M. Stanitzki [id](#)<sup>48</sup>, B. Stapf [id](#)<sup>48</sup>, E.A. Starchenko [id](#)<sup>37</sup>, G.H. Stark [id](#)<sup>137</sup>,  
 J. Stark [id](#)<sup>103,af</sup>, D.M. Starko [id](#)<sup>157b</sup>, P. Staroba [id](#)<sup>132</sup>, P. Starovoitov [id](#)<sup>63a</sup>, S. Stärz [id](#)<sup>105</sup>, R. Staszewski [id](#)<sup>87</sup>,  
 G. Stavropoulos [id](#)<sup>46</sup>, J. Steentoft [id](#)<sup>162</sup>, P. Steinberg [id](#)<sup>29</sup>, B. Stelzer [id](#)<sup>143,157a</sup>, H.J. Stelzer [id](#)<sup>130</sup>,  
 O. Stelzer-Chilton [id](#)<sup>157a</sup>, H. Stenzel [id](#)<sup>58</sup>, T.J. Stevenson [id](#)<sup>147</sup>, G.A. Stewart [id](#)<sup>36</sup>, J.R. Stewart [id](#)<sup>122</sup>,  
 M.C. Stockton [id](#)<sup>36</sup>, G. Stoicea [id](#)<sup>27b</sup>, M. Stolarski [id](#)<sup>131a</sup>, S. Stonjek [id](#)<sup>111</sup>, A. Straessner [id](#)<sup>50</sup>,  
 J. Strandberg [id](#)<sup>145</sup>, S. Strandberg [id](#)<sup>47a,47b</sup>, M. Strauss [id](#)<sup>121</sup>, T. Strebler [id](#)<sup>103</sup>, P. Strizenc [id](#)<sup>28b</sup>,  
 R. Ströhmer [id](#)<sup>167</sup>, D.M. Strom [id](#)<sup>124</sup>, L.R. Strom [id](#)<sup>48</sup>, R. Stroynowski [id](#)<sup>44</sup>, A. Strubig [id](#)<sup>47a,47b</sup>,  
 S.A. Stucci [id](#)<sup>29</sup>, B. Stugu [id](#)<sup>16</sup>, J. Stupak [id](#)<sup>121</sup>, N.A. Styles [id](#)<sup>48</sup>, D. Su [id](#)<sup>144</sup>, S. Su [id](#)<sup>62a</sup>, W. Su [id](#)<sup>62d</sup>,  
 X. Su [id](#)<sup>62a,66</sup>, K. Sugizaki [id](#)<sup>154</sup>, V.V. Sulin [id](#)<sup>37</sup>, M.J. Sullivan [id](#)<sup>93</sup>, D.M.S. Sultan [id](#)<sup>78a,78b</sup>,  
 L. Sultanliyeva [id](#)<sup>37</sup>, S. Sultansoy [id](#)<sup>3b</sup>, T. Sumida [id](#)<sup>88</sup>, S. Sun [id](#)<sup>107</sup>, S. Sun [id](#)<sup>171</sup>,  
 O. Sunneborn Gudnadottir [id](#)<sup>162</sup>, N. Sur [id](#)<sup>103</sup>, M.R. Sutton [id](#)<sup>147</sup>, H. Suzuki [id](#)<sup>158</sup>, M. Svatos [id](#)<sup>132</sup>,  
 M. Swiatlowski [id](#)<sup>157a</sup>, T. Swirski [id](#)<sup>167</sup>, I. Sykora [id](#)<sup>28a</sup>, M. Sykora [id](#)<sup>134</sup>, T. Sykora [id](#)<sup>134</sup>, D. Ta [id](#)<sup>101</sup>,  
 K. Tackmann [id](#)<sup>48,y</sup>, A. Taffard [id](#)<sup>161</sup>, R. Tafirout [id](#)<sup>157a</sup>, J.S. Tafoya Vargas [id](#)<sup>66</sup>, R. Takashima [id](#)<sup>89</sup>,  
 E.P. Takeva [id](#)<sup>52</sup>, Y. Takubo [id](#)<sup>84</sup>, M. Talby [id](#)<sup>103</sup>, A.A. Talyshev [id](#)<sup>37</sup>, K.C. Tam [id](#)<sup>64b</sup>, N.M. Tamir [id](#)<sup>152</sup>,  
 A. Tanaka [id](#)<sup>154</sup>, J. Tanaka [id](#)<sup>154</sup>, R. Tanaka [id](#)<sup>66</sup>, M. Tanasini [id](#)<sup>57b,57a</sup>, Z. Tao [id](#)<sup>165</sup>, S. Tapia Araya [id](#)<sup>138f</sup>,  
 S. Tapprogge [id](#)<sup>101</sup>, A. Tarek Abouelfadl Mohamed [id](#)<sup>108</sup>, S. Tarem [id](#)<sup>151</sup>, K. Tariq [id](#)<sup>14a</sup>, G. Tarna [id](#)<sup>103,27b</sup>,  
 G.F. Tartarelli [id](#)<sup>71a</sup>, P. Tas [id](#)<sup>134</sup>, M. Tasevsky [id](#)<sup>132</sup>, E. Tassi [id](#)<sup>43b,43a</sup>, A.C. Tate [id](#)<sup>163</sup>, G. Tateno [id](#)<sup>154</sup>,

Y. Tayalati <sup>35e,aa</sup>, G.N. Taylor <sup>106</sup>, W. Taylor <sup>157b</sup>, H. Teagle <sup>93</sup>, A.S. Tee <sup>171</sup>,  
 R. Teixeira De Lima <sup>144</sup>, P. Teixeira-Dias <sup>96</sup>, J.J. Teoh <sup>156</sup>, K. Terashi <sup>154</sup>, J. Terron <sup>100</sup>,  
 S. Terzo <sup>13</sup>, M. Testa <sup>53</sup>, R.J. Teuscher <sup>156,ab</sup>, A. Thaler <sup>79</sup>, O. Theiner <sup>56</sup>, N. Themistokleous <sup>52</sup>,  
 T. Thevenaux-Pelzer <sup>103</sup>, O. Thielmann <sup>172</sup>, D.W. Thomas <sup>96</sup>, J.P. Thomas <sup>20</sup>, E.A. Thompson <sup>17a</sup>,  
 P.D. Thompson <sup>20</sup>, E. Thomson <sup>129</sup>, Y. Tian <sup>55</sup>, V. Tikhomirov <sup>37,a</sup>, Yu.A. Tikhonov <sup>37</sup>,  
 S. Timoshenko <sup>37</sup>, D. Timoshyn <sup>134</sup>, E.X.L. Ting <sup>1</sup>, P. Tipton <sup>173</sup>, S.H. Tlou <sup>33g</sup>, A. Tnourji <sup>40</sup>,  
 K. Todome <sup>23b,23a</sup>, S. Todorova-Nova <sup>134</sup>, S. Todt <sup>50</sup>, M. Togawa <sup>84</sup>, J. Tojo <sup>90</sup>, S. Tokár <sup>28a</sup>,  
 K. Tokushuku <sup>84</sup>, O. Toldaiev <sup>68</sup>, R. Tombs <sup>32</sup>, M. Tomoto <sup>84,112</sup>, L. Tompkins <sup>144,r</sup>,  
 K.W. Topolnicki <sup>86b</sup>, E. Torrence <sup>124</sup>, H. Torres <sup>103,af</sup>, E. Torró Pastor <sup>164</sup>, M. Toscani <sup>30</sup>,  
 C. Tosciri <sup>39</sup>, M. Tost <sup>11</sup>, D.R. Tovey <sup>140</sup>, A. Traeet <sup>16</sup>, I.S. Trandafir <sup>27b</sup>, T. Trefzger <sup>167</sup>,  
 A. Tricoli <sup>29</sup>, I.M. Trigger <sup>157a</sup>, S. Trincaz-Duvoid <sup>128</sup>, D.A. Trischuk <sup>26</sup>, B. Trocmé <sup>60</sup>,  
 C. Troncon <sup>71a</sup>, L. Truong <sup>33c</sup>, M. Trzebinski <sup>87</sup>, A. Trzuppek <sup>87</sup>, F. Tsai <sup>146</sup>, M. Tsai <sup>107</sup>,  
 A. Tsiamis <sup>153,f</sup>, P.V. Tsiarehka <sup>37</sup>, S. Tsigaridas <sup>157a</sup>, A. Tsigotis <sup>153,w</sup>, V. Tsiskaridze <sup>156</sup>,  
 E.G. Tskhadadze <sup>150a</sup>, M. Tsopoulou <sup>153,f</sup>, Y. Tsujikawa <sup>88</sup>, I.I. Tsukerman <sup>37</sup>, V. Tsulaia <sup>17a</sup>,  
 S. Tsuno <sup>84</sup>, O. Tsur <sup>151</sup>, K. Tsur <sup>119</sup>, D. Tsybychev <sup>146</sup>, Y. Tu <sup>64b</sup>, A. Tudorache <sup>27b</sup>,  
 V. Tudorache <sup>27b</sup>, A.N. Tuna <sup>36</sup>, S. Turchikhin <sup>38</sup>, I. Turk Cakir <sup>3a</sup>, R. Turra <sup>71a</sup>,  
 T. Turtuvshin <sup>38,ac</sup>, P.M. Tuts <sup>41</sup>, S. Tzamaris <sup>153,f</sup>, P. Tzanis <sup>10</sup>, E. Tzovara <sup>101</sup>, K. Uchida <sup>154</sup>,  
 F. Ukegawa <sup>158</sup>, P.A. Ulloa Poblete <sup>138c,138b</sup>, E.N. Umaka <sup>29</sup>, G. Unal <sup>36</sup>, M. Unal <sup>11</sup>,  
 A. Undrus <sup>29</sup>, G. Unel <sup>161</sup>, J. Urban <sup>28b</sup>, P. Urquijo <sup>106</sup>, G. Usai <sup>8</sup>, R. Ushioda <sup>155</sup>,  
 M. Usman <sup>109</sup>, Z. Uysal <sup>21b</sup>, L. Vacavant <sup>103</sup>, V. Vacek <sup>133</sup>, B. Vachon <sup>105</sup>, K.O.H. Vadla <sup>126</sup>,  
 T. Vafeiadis <sup>36</sup>, A. Vaitkus <sup>97</sup>, C. Valderanis <sup>110</sup>, E. Valdes Santurio <sup>47a,47b</sup>, M. Valente <sup>157a</sup>,  
 S. Valentinetti <sup>23b,23a</sup>, A. Valero <sup>164</sup>, E. Valiente Moreno <sup>164</sup>, A. Vallier <sup>103,af</sup>, J.A. Valls Ferrer <sup>164</sup>,  
 D.R. Van Arneman <sup>115</sup>, T.R. Van Daalen <sup>139</sup>, A. Van Der Graaf <sup>49</sup>, P. Van Gemmeren <sup>6</sup>,  
 M. Van Rijnbach <sup>126,36</sup>, S. Van Stroud <sup>97</sup>, I. Van Vulpen <sup>115</sup>, M. Vanadia <sup>76a,76b</sup>, W. Vandelli <sup>36</sup>,  
 M. Vandenbroucke <sup>136</sup>, E.R. Vandewall <sup>122</sup>, D. Vannicola <sup>152</sup>, L. Vannoli <sup>57b,57a</sup>, R. Vari <sup>75a</sup>,  
 E.W. Varnes <sup>7</sup>, C. Varni <sup>17a</sup>, T. Varol <sup>149</sup>, D. Varouchas <sup>66</sup>, L. Varriale <sup>164</sup>, K.E. Varvell <sup>148</sup>,  
 M.E. Vasile <sup>27b</sup>, L. Vaslin <sup>40</sup>, G.A. Vasquez <sup>166</sup>, F. Vazeille <sup>40</sup>, T. Vazquez Schroeder <sup>36</sup>,  
 J. Veatch <sup>31</sup>, V. Vecchio <sup>102</sup>, M.J. Veen <sup>104</sup>, I. Veliscek <sup>127</sup>, L.M. Veloce <sup>156</sup>, F. Veloso <sup>131a,131c</sup>,  
 S. Veneziano <sup>75a</sup>, A. Ventura <sup>70a,70b</sup>, A. Verbytskyi <sup>111</sup>, M. Verducci <sup>74a,74b</sup>, C. Vergis <sup>24</sup>,  
 M. Verissimo De Araujo <sup>83b</sup>, W. Verkerke <sup>115</sup>, J.C. Vermeulen <sup>115</sup>, C. Vernieri <sup>144</sup>,  
 P.J. Verschuuren <sup>96</sup>, M. Vessella <sup>104</sup>, M.C. Vetterli <sup>143,ak</sup>, A. Vgenopoulos <sup>153,f</sup>,  
 N. Viaux Maira <sup>138f</sup>, T. Vickey <sup>140</sup>, O.E. Vickey Boeriu <sup>140</sup>, G.H.A. Viehhauser <sup>127</sup>, L. Vignani <sup>63b</sup>,  
 M. Villa <sup>23b,23a</sup>, M. Villaplana Perez <sup>164</sup>, E.M. Villhauer <sup>52</sup>, E. Vilucchi <sup>53</sup>, M.G. Vinciter <sup>34</sup>,  
 G.S. Virdee <sup>20</sup>, A. Vishwakarma <sup>52</sup>, A. Visibile <sup>115</sup>, C. Vittori <sup>36</sup>, I. Vivarelli <sup>147</sup>, V. Vladimirov <sup>168</sup>,  
 E. Voevodina <sup>111</sup>, F. Vogel <sup>110</sup>, P. Vokac <sup>133</sup>, J. Von Ahnen <sup>48</sup>, E. Von Toerne <sup>24</sup>,  
 B. Vormwald <sup>36</sup>, V. Vorobel <sup>134</sup>, K. Vorobev <sup>37</sup>, M. Vos <sup>164</sup>, K. Voss <sup>142</sup>, J.H. Vossebeld <sup>93</sup>,  
 M. Vozak <sup>115</sup>, L. Vozdecky <sup>95</sup>, N. Vranjes <sup>15</sup>, M. Vranjes Milosavljevic <sup>15</sup>, M. Vreeswijk <sup>115</sup>,  
 N.K. Vu <sup>62d,62c</sup>, R. Vuillermet <sup>36</sup>, O. Vujanovic <sup>101</sup>, I. Vukotic <sup>39</sup>, S. Wada <sup>158</sup>, C. Wagner <sup>104</sup>,  
 J.M. Wagner <sup>17a</sup>, W. Wagner <sup>172</sup>, S. Wahdan <sup>172</sup>, H. Wahlberg <sup>91</sup>, R. Wakasa <sup>158</sup>,  
 M. Wakida <sup>112</sup>, J. Walder <sup>135</sup>, R. Walker <sup>110</sup>, W. Walkowiak <sup>142</sup>, A. Wall <sup>129</sup>, T. Wamorkar <sup>6</sup>,  
 A.Z. Wang <sup>171</sup>, C. Wang <sup>101</sup>, C. Wang <sup>62c</sup>, H. Wang <sup>17a</sup>, J. Wang <sup>64a</sup>, R.-J. Wang <sup>101</sup>,  
 R. Wang <sup>61</sup>, R. Wang <sup>6</sup>, S.M. Wang <sup>149</sup>, S. Wang <sup>62b</sup>, T. Wang <sup>62a</sup>, W.T. Wang <sup>80</sup>,  
 W. Wang <sup>14a</sup>, X. Wang <sup>14c</sup>, X. Wang <sup>163</sup>, X. Wang <sup>62c</sup>, Y. Wang <sup>62d</sup>, Y. Wang <sup>14c</sup>, Z. Wang <sup>107</sup>,  
 Z. Wang <sup>62d,51,62c</sup>, Z. Wang <sup>107</sup>, A. Warburton <sup>105</sup>, R.J. Ward <sup>20</sup>, N. Warrack <sup>59</sup>, A.T. Watson <sup>20</sup>,  
 H. Watson <sup>59</sup>, M.F. Watson <sup>20</sup>, E. Watton <sup>59,135</sup>, G. Watts <sup>139</sup>, B.M. Waugh <sup>97</sup>, C. Weber <sup>29</sup>,  
 H.A. Weber <sup>18</sup>, M.S. Weber <sup>19</sup>, S.M. Weber <sup>63a</sup>, C. Wei <sup>62a</sup>, Y. Wei <sup>127</sup>, A.R. Weidberg <sup>127</sup>,  
 E.J. Weik <sup>118</sup>, J. Weingarten <sup>49</sup>, M. Weirich <sup>101</sup>, C. Weiser <sup>54</sup>, C.J. Wells <sup>48</sup>, T. Wenaus <sup>29</sup>,

B. Wendland , T. Wengler , N.S. Wenke<sup>111</sup>, N. Wermes , M. Wessels , K. Whalen , A.M. Wharton , A.S. White , A. White , M.J. White , D. Whiteson , L. Wickremasinghe , W. Wiedenmann , C. Wiel , M. Wielers , C. Wiglesworth , D.J. Wilbern<sup>121</sup>, H.G. Wilkens , D.M. Williams , H.H. Williams<sup>129</sup>, S. Williams , S. Willocq , B.J. Wilson , P.J. Windischhofer , F.I. Winkel , F. Winklmeier , B.T. Winter , J.K. Winter , M. Wittgen<sup>144</sup>, M. Wobisch , Z. Wolfs , R. Wölker , J. Wollrath<sup>161</sup>, M.W. Wolter , H. Wolters , A.F. Wongel , S.D. Worm , B.K. Wosiek , K.W. Woźniak , S. Wozniowski , K. Wraight , C. Wu , J. Wu , M. Wu , M. Wu , S.L. Wu , X. Wu , Y. Wu , Z. Wu , J. Wuerzinger , T.R. Wyatt , B.M. Wynne , S. Xella , L. Xia , M. Xia , J. Xiang , X. Xiao , M. Xie , X. Xie , S. Xin , J. Xiong , D. Xu , H. Xu , L. Xu , R. Xu , T. Xu , Y. Xu , Z. Xu , Z. Xu , B. Yabsley , S. Yacoob , N. Yamaguchi , Y. Yamaguchi , E. Yamashita , H. Yamauchi , T. Yamazaki , Y. Yamazaki , J. Yan , S. Yan , Z. Yan , H.J. Yang , H.T. Yang , S. Yang , T. Yang , X. Yang , X. Yang , Y. Yang , Y. Yang , Z. Yang , W-M. Yao , Y.C. Yap , H. Ye , H. Ye , J. Ye , S. Ye , X. Ye , Y. Yeh , I. Yeletsikh , B.K. Yeo , M.R. Yexley , P. Yin , K. Yorita , S. Younas , C.J.S. Young , C. Young , Y. Yu , M. Yuan , R. Yuan , L. Yue , M. Zaazoua , B. Zabinski , E. Zaid<sup>52</sup>, T. Zakareishvili , N. Zakharchuk , S. Zambito , J.A. Zamora Saa , J. Zang , D. Zanzi , O. Zaplatilek , C. Zeitnitz , H. Zeng , J.C. Zeng , D.T. Zenger Jr , O. Zenin , T. Ženiš , S. Zenz , S. Zerradi , D. Zerwas , M. Zhai , B. Zhang , D.F. Zhang , J. Zhang , J. Zhang , K. Zhang , L. Zhang , P. Zhang , R. Zhang , S. Zhang , T. Zhang , X. Zhang , X. Zhang , Y. Zhang , Y. Zhang , Z. Zhang , Z. Zhang , H. Zhao , P. Zhao , T. Zhao , Y. Zhao , Z. Zhao , A. Zhemchugov , K. Zheng , X. Zheng , Z. Zheng , D. Zhong , B. Zhou<sup>107</sup>, H. Zhou , N. Zhou , Y. Zhou<sup>7</sup>, C.G. Zhu , J. Zhu , Y. Zhu , Y. Zhu , X. Zhuang , K. Zhukov , V. Zhulanov , N.I. Zimine , J. Zinsser , M. Ziolkowski , L. Živković , A. Zoccoli , K. Zoch , T.G. Zorbas , O. Zormpa , W. Zou , L. Zwalinski .

<sup>1</sup>Department of Physics, University of Adelaide, Adelaide; Australia.

<sup>2</sup>Department of Physics, University of Alberta, Edmonton AB; Canada.

<sup>3</sup>(<sup>a</sup>)Department of Physics, Ankara University, Ankara; (<sup>b</sup>)Division of Physics, TOBB University of Economics and Technology, Ankara; Türkiye.

<sup>4</sup>LAPP, Université Savoie Mont Blanc, CNRS/IN2P3, Annecy; France.

<sup>5</sup>APC, Université Paris Cité, CNRS/IN2P3, Paris; France.

<sup>6</sup>High Energy Physics Division, Argonne National Laboratory, Argonne IL; United States of America.

<sup>7</sup>Department of Physics, University of Arizona, Tucson AZ; United States of America.

<sup>8</sup>Department of Physics, University of Texas at Arlington, Arlington TX; United States of America.

<sup>9</sup>Physics Department, National and Kapodistrian University of Athens, Athens; Greece.

<sup>10</sup>Physics Department, National Technical University of Athens, Zografou; Greece.

<sup>11</sup>Department of Physics, University of Texas at Austin, Austin TX; United States of America.

<sup>12</sup>Institute of Physics, Azerbaijan Academy of Sciences, Baku; Azerbaijan.

<sup>13</sup>Institut de Física d'Altes Energies (IFAE), Barcelona Institute of Science and Technology, Barcelona; Spain.

<sup>14</sup>(<sup>a</sup>)Institute of High Energy Physics, Chinese Academy of Sciences, Beijing; (<sup>b</sup>)Physics Department, Tsinghua University, Beijing; (<sup>c</sup>)Department of Physics, Nanjing University, Nanjing; (<sup>d</sup>)School of Science,

Shenzhen Campus of Sun Yat-sen University;<sup>(e)</sup>University of Chinese Academy of Science (UCAS), Beijing; China.

<sup>15</sup>Institute of Physics, University of Belgrade, Belgrade; Serbia.

<sup>16</sup>Department for Physics and Technology, University of Bergen, Bergen; Norway.

<sup>17</sup><sup>(a)</sup>Physics Division, Lawrence Berkeley National Laboratory, Berkeley CA;<sup>(b)</sup>University of California, Berkeley CA; United States of America.

<sup>18</sup>Institut für Physik, Humboldt Universität zu Berlin, Berlin; Germany.

<sup>19</sup>Albert Einstein Center for Fundamental Physics and Laboratory for High Energy Physics, University of Bern, Bern; Switzerland.

<sup>20</sup>School of Physics and Astronomy, University of Birmingham, Birmingham; United Kingdom.

<sup>21</sup><sup>(a)</sup>Department of Physics, Bogazici University, Istanbul;<sup>(b)</sup>Department of Physics Engineering, Gaziantep University, Gaziantep;<sup>(c)</sup>Department of Physics, Istanbul University, Istanbul; Türkiye.

<sup>22</sup><sup>(a)</sup>Facultad de Ciencias y Centro de Investigaciones, Universidad Antonio Nariño, Bogotá;<sup>(b)</sup>Departamento de Física, Universidad Nacional de Colombia, Bogotá;<sup>(c)</sup>Pontificia Universidad Javeriana, Bogota; Colombia.

<sup>23</sup><sup>(a)</sup>Dipartimento di Fisica e Astronomia A. Righi, Università di Bologna, Bologna;<sup>(b)</sup>INFN Sezione di Bologna; Italy.

<sup>24</sup>Physikalisches Institut, Universität Bonn, Bonn; Germany.

<sup>25</sup>Department of Physics, Boston University, Boston MA; United States of America.

<sup>26</sup>Department of Physics, Brandeis University, Waltham MA; United States of America.

<sup>27</sup><sup>(a)</sup>Transilvania University of Brasov, Brasov;<sup>(b)</sup>Horia Hulubei National Institute of Physics and Nuclear Engineering, Bucharest;<sup>(c)</sup>Department of Physics, Alexandru Ioan Cuza University of Iasi, Iasi;<sup>(d)</sup>National Institute for Research and Development of Isotopic and Molecular Technologies, Physics Department, Cluj-Napoca;<sup>(e)</sup>University Politehnica Bucharest, Bucharest;<sup>(f)</sup>West University in Timisoara, Timisoara;<sup>(g)</sup>Faculty of Physics, University of Bucharest, Bucharest; Romania.

<sup>28</sup><sup>(a)</sup>Faculty of Mathematics, Physics and Informatics, Comenius University, Bratislava;<sup>(b)</sup>Department of Subnuclear Physics, Institute of Experimental Physics of the Slovak Academy of Sciences, Kosice; Slovak Republic.

<sup>29</sup>Physics Department, Brookhaven National Laboratory, Upton NY; United States of America.

<sup>30</sup>Universidad de Buenos Aires, Facultad de Ciencias Exactas y Naturales, Departamento de Física, y CONICET, Instituto de Física de Buenos Aires (IFIBA), Buenos Aires; Argentina.

<sup>31</sup>California State University, CA; United States of America.

<sup>32</sup>Cavendish Laboratory, University of Cambridge, Cambridge; United Kingdom.

<sup>33</sup><sup>(a)</sup>Department of Physics, University of Cape Town, Cape Town;<sup>(b)</sup>iThemba Labs, Western

Cape;<sup>(c)</sup>Department of Mechanical Engineering Science, University of Johannesburg,

Johannesburg;<sup>(d)</sup>National Institute of Physics, University of the Philippines Diliman

(Philippines);<sup>(e)</sup>University of South Africa, Department of Physics, Pretoria;<sup>(f)</sup>University of Zululand,

KwaDlangezwa;<sup>(g)</sup>School of Physics, University of the Witwatersrand, Johannesburg; South Africa.

<sup>34</sup>Department of Physics, Carleton University, Ottawa ON; Canada.

<sup>35</sup><sup>(a)</sup>Faculté des Sciences Ain Chock, Réseau Universitaire de Physique des Hautes Energies - Université Hassan II, Casablanca;<sup>(b)</sup>Faculté des Sciences, Université Ibn-Tofail, Kénitra;<sup>(c)</sup>Faculté des Sciences Semlalia, Université Cadi Ayyad, LPHEA-Marrakech;<sup>(d)</sup>LPMR, Faculté des Sciences, Université Mohamed Premier, Oujda;<sup>(e)</sup>Faculté des sciences, Université Mohammed V, Rabat;<sup>(f)</sup>Institute of Applied Physics, Mohammed VI Polytechnic University, Ben Guerir; Morocco.

<sup>36</sup>CERN, Geneva; Switzerland.

<sup>37</sup>Affiliated with an institute covered by a cooperation agreement with CERN.

<sup>38</sup>Affiliated with an international laboratory covered by a cooperation agreement with CERN.



- <sup>39</sup>Enrico Fermi Institute, University of Chicago, Chicago IL; United States of America.
- <sup>40</sup>LPC, Université Clermont Auvergne, CNRS/IN2P3, Clermont-Ferrand; France.
- <sup>41</sup>Nevis Laboratory, Columbia University, Irvington NY; United States of America.
- <sup>42</sup>Niels Bohr Institute, University of Copenhagen, Copenhagen; Denmark.
- <sup>43</sup>(<sup>a</sup>)Dipartimento di Fisica, Università della Calabria, Rende; (<sup>b</sup>)INFN Gruppo Collegato di Cosenza, Laboratori Nazionali di Frascati; Italy.
- <sup>44</sup>Physics Department, Southern Methodist University, Dallas TX; United States of America.
- <sup>45</sup>Physics Department, University of Texas at Dallas, Richardson TX; United States of America.
- <sup>46</sup>National Centre for Scientific Research "Demokritos", Agia Paraskevi; Greece.
- <sup>47</sup>(<sup>a</sup>)Department of Physics, Stockholm University; (<sup>b</sup>)Oskar Klein Centre, Stockholm; Sweden.
- <sup>48</sup>Deutsches Elektronen-Synchrotron DESY, Hamburg and Zeuthen; Germany.
- <sup>49</sup>Fakultät Physik , Technische Universität Dortmund, Dortmund; Germany.
- <sup>50</sup>Institut für Kern- und Teilchenphysik, Technische Universität Dresden, Dresden; Germany.
- <sup>51</sup>Department of Physics, Duke University, Durham NC; United States of America.
- <sup>52</sup>SUPA - School of Physics and Astronomy, University of Edinburgh, Edinburgh; United Kingdom.
- <sup>53</sup>INFN e Laboratori Nazionali di Frascati, Frascati; Italy.
- <sup>54</sup>Physikalisches Institut, Albert-Ludwigs-Universität Freiburg, Freiburg; Germany.
- <sup>55</sup>II. Physikalisches Institut, Georg-August-Universität Göttingen, Göttingen; Germany.
- <sup>56</sup>Département de Physique Nucléaire et Corpusculaire, Université de Genève, Genève; Switzerland.
- <sup>57</sup>(<sup>a</sup>)Dipartimento di Fisica, Università di Genova, Genova; (<sup>b</sup>)INFN Sezione di Genova; Italy.
- <sup>58</sup>II. Physikalisches Institut, Justus-Liebig-Universität Giessen, Giessen; Germany.
- <sup>59</sup>SUPA - School of Physics and Astronomy, University of Glasgow, Glasgow; United Kingdom.
- <sup>60</sup>LPSC, Université Grenoble Alpes, CNRS/IN2P3, Grenoble INP, Grenoble; France.
- <sup>61</sup>Laboratory for Particle Physics and Cosmology, Harvard University, Cambridge MA; United States of America.
- <sup>62</sup>(<sup>a</sup>)Department of Modern Physics and State Key Laboratory of Particle Detection and Electronics, University of Science and Technology of China, Hefei; (<sup>b</sup>)Institute of Frontier and Interdisciplinary Science and Key Laboratory of Particle Physics and Particle Irradiation (MOE), Shandong University, Qingdao; (<sup>c</sup>)School of Physics and Astronomy, Shanghai Jiao Tong University, Key Laboratory for Particle Astrophysics and Cosmology (MOE), SKLPPC, Shanghai; (<sup>d</sup>)Tsung-Dao Lee Institute, Shanghai; China.
- <sup>63</sup>(<sup>a</sup>)Kirchhoff-Institut für Physik, Ruprecht-Karls-Universität Heidelberg, Heidelberg; (<sup>b</sup>)Physikalisches Institut, Ruprecht-Karls-Universität Heidelberg, Heidelberg; Germany.
- <sup>64</sup>(<sup>a</sup>)Department of Physics, Chinese University of Hong Kong, Shatin, N.T., Hong Kong; (<sup>b</sup>)Department of Physics, University of Hong Kong, Hong Kong; (<sup>c</sup>)Department of Physics and Institute for Advanced Study, Hong Kong University of Science and Technology, Clear Water Bay, Kowloon, Hong Kong; China.
- <sup>65</sup>Department of Physics, National Tsing Hua University, Hsinchu; Taiwan.
- <sup>66</sup>IJCLab, Université Paris-Saclay, CNRS/IN2P3, 91405, Orsay; France.
- <sup>67</sup>Centro Nacional de Microelectrónica (IMB-CNM-CSIC), Barcelona; Spain.
- <sup>68</sup>Department of Physics, Indiana University, Bloomington IN; United States of America.
- <sup>69</sup>(<sup>a</sup>)INFN Gruppo Collegato di Udine, Sezione di Trieste, Udine; (<sup>b</sup>)ICTP, Trieste; (<sup>c</sup>)Dipartimento Politecnico di Ingegneria e Architettura, Università di Udine, Udine; Italy.
- <sup>70</sup>(<sup>a</sup>)INFN Sezione di Lecce; (<sup>b</sup>)Dipartimento di Matematica e Fisica, Università del Salento, Lecce; Italy.
- <sup>71</sup>(<sup>a</sup>)INFN Sezione di Milano; (<sup>b</sup>)Dipartimento di Fisica, Università di Milano, Milano; Italy.
- <sup>72</sup>(<sup>a</sup>)INFN Sezione di Napoli; (<sup>b</sup>)Dipartimento di Fisica, Università di Napoli, Napoli; Italy.
- <sup>73</sup>(<sup>a</sup>)INFN Sezione di Pavia; (<sup>b</sup>)Dipartimento di Fisica, Università di Pavia, Pavia; Italy.
- <sup>74</sup>(<sup>a</sup>)INFN Sezione di Pisa; (<sup>b</sup>)Dipartimento di Fisica E. Fermi, Università di Pisa, Pisa; Italy.
- <sup>75</sup>(<sup>a</sup>)INFN Sezione di Roma; (<sup>b</sup>)Dipartimento di Fisica, Sapienza Università di Roma, Roma; Italy.



- <sup>76(a)</sup>INFN Sezione di Roma Tor Vergata;<sup>(b)</sup>Dipartimento di Fisica, Università di Roma Tor Vergata, Roma; Italy.
- <sup>77(a)</sup>INFN Sezione di Roma Tre;<sup>(b)</sup>Dipartimento di Matematica e Fisica, Università Roma Tre, Roma; Italy.
- <sup>78(a)</sup>INFN-TIFPA;<sup>(b)</sup>Università degli Studi di Trento, Trento; Italy.
- <sup>79</sup>Universität Innsbruck, Department of Astro and Particle Physics, Innsbruck; Austria.
- <sup>80</sup>University of Iowa, Iowa City IA; United States of America.
- <sup>81</sup>Department of Physics and Astronomy, Iowa State University, Ames IA; United States of America.
- <sup>82</sup>Istinye University, Sariyer, Istanbul; Türkiye.
- <sup>83(a)</sup>Departamento de Engenharia Elétrica, Universidade Federal de Juiz de Fora (UFJF), Juiz de Fora;<sup>(b)</sup>Universidade Federal do Rio De Janeiro COPPE/EE/IF, Rio de Janeiro;<sup>(c)</sup>Instituto de Física, Universidade de São Paulo, São Paulo;<sup>(d)</sup>Rio de Janeiro State University, Rio de Janeiro; Brazil.
- <sup>84</sup>KEK, High Energy Accelerator Research Organization, Tsukuba; Japan.
- <sup>85</sup>Graduate School of Science, Kobe University, Kobe; Japan.
- <sup>86(a)</sup>AGH University of Krakow, Faculty of Physics and Applied Computer Science, Krakow;<sup>(b)</sup>Marian Smoluchowski Institute of Physics, Jagiellonian University, Krakow; Poland.
- <sup>87</sup>Institute of Nuclear Physics Polish Academy of Sciences, Krakow; Poland.
- <sup>88</sup>Faculty of Science, Kyoto University, Kyoto; Japan.
- <sup>89</sup>Kyoto University of Education, Kyoto; Japan.
- <sup>90</sup>Research Center for Advanced Particle Physics and Department of Physics, Kyushu University, Fukuoka ; Japan.
- <sup>91</sup>Instituto de Física La Plata, Universidad Nacional de La Plata and CONICET, La Plata; Argentina.
- <sup>92</sup>Physics Department, Lancaster University, Lancaster; United Kingdom.
- <sup>93</sup>Oliver Lodge Laboratory, University of Liverpool, Liverpool; United Kingdom.
- <sup>94</sup>Department of Experimental Particle Physics, Jožef Stefan Institute and Department of Physics, University of Ljubljana, Ljubljana; Slovenia.
- <sup>95</sup>School of Physics and Astronomy, Queen Mary University of London, London; United Kingdom.
- <sup>96</sup>Department of Physics, Royal Holloway University of London, Egham; United Kingdom.
- <sup>97</sup>Department of Physics and Astronomy, University College London, London; United Kingdom.
- <sup>98</sup>Louisiana Tech University, Ruston LA; United States of America.
- <sup>99</sup>Fysiska institutionen, Lunds universitet, Lund; Sweden.
- <sup>100</sup>Departamento de Física Teórica C-15 and CIAFF, Universidad Autónoma de Madrid, Madrid; Spain.
- <sup>101</sup>Institut für Physik, Universität Mainz, Mainz; Germany.
- <sup>102</sup>School of Physics and Astronomy, University of Manchester, Manchester; United Kingdom.
- <sup>103</sup>CPPM, Aix-Marseille Université, CNRS/IN2P3, Marseille; France.
- <sup>104</sup>Department of Physics, University of Massachusetts, Amherst MA; United States of America.
- <sup>105</sup>Department of Physics, McGill University, Montreal QC; Canada.
- <sup>106</sup>School of Physics, University of Melbourne, Victoria; Australia.
- <sup>107</sup>Department of Physics, University of Michigan, Ann Arbor MI; United States of America.
- <sup>108</sup>Department of Physics and Astronomy, Michigan State University, East Lansing MI; United States of America.
- <sup>109</sup>Group of Particle Physics, University of Montreal, Montreal QC; Canada.
- <sup>110</sup>Fakultät für Physik, Ludwig-Maximilians-Universität München, München; Germany.
- <sup>111</sup>Max-Planck-Institut für Physik (Werner-Heisenberg-Institut), München; Germany.
- <sup>112</sup>Graduate School of Science and Kobayashi-Maskawa Institute, Nagoya University, Nagoya; Japan.
- <sup>113</sup>Department of Physics and Astronomy, University of New Mexico, Albuquerque NM; United States of America.

- <sup>114</sup>Institute for Mathematics, Astrophysics and Particle Physics, Radboud University/Nikhef, Nijmegen; Netherlands.
- <sup>115</sup>Nikhef National Institute for Subatomic Physics and University of Amsterdam, Amsterdam; Netherlands.
- <sup>116</sup>Department of Physics, Northern Illinois University, DeKalb IL; United States of America.
- <sup>117</sup><sup>(a)</sup>New York University Abu Dhabi, Abu Dhabi;<sup>(b)</sup>University of Sharjah, Sharjah; United Arab Emirates.
- <sup>118</sup>Department of Physics, New York University, New York NY; United States of America.
- <sup>119</sup>Ochanomizu University, Otsuka, Bunkyo-ku, Tokyo; Japan.
- <sup>120</sup>Ohio State University, Columbus OH; United States of America.
- <sup>121</sup>Homer L. Dodge Department of Physics and Astronomy, University of Oklahoma, Norman OK; United States of America.
- <sup>122</sup>Department of Physics, Oklahoma State University, Stillwater OK; United States of America.
- <sup>123</sup>Palacký University, Joint Laboratory of Optics, Olomouc; Czech Republic.
- <sup>124</sup>Institute for Fundamental Science, University of Oregon, Eugene, OR; United States of America.
- <sup>125</sup>Graduate School of Science, Osaka University, Osaka; Japan.
- <sup>126</sup>Department of Physics, University of Oslo, Oslo; Norway.
- <sup>127</sup>Department of Physics, Oxford University, Oxford; United Kingdom.
- <sup>128</sup>LPNHE, Sorbonne Université, Université Paris Cité, CNRS/IN2P3, Paris; France.
- <sup>129</sup>Department of Physics, University of Pennsylvania, Philadelphia PA; United States of America.
- <sup>130</sup>Department of Physics and Astronomy, University of Pittsburgh, Pittsburgh PA; United States of America.
- <sup>131</sup><sup>(a)</sup>Laboratório de Instrumentação e Física Experimental de Partículas - LIP, Lisboa;<sup>(b)</sup>Departamento de Física, Faculdade de Ciências, Universidade de Lisboa, Lisboa;<sup>(c)</sup>Departamento de Física, Universidade de Coimbra, Coimbra;<sup>(d)</sup>Centro de Física Nuclear da Universidade de Lisboa, Lisboa;<sup>(e)</sup>Departamento de Física, Universidade do Minho, Braga;<sup>(f)</sup>Departamento de Física Teórica y del Cosmos, Universidad de Granada, Granada (Spain);<sup>(g)</sup>Departamento de Física, Instituto Superior Técnico, Universidade de Lisboa, Lisboa; Portugal.
- <sup>132</sup>Institute of Physics of the Czech Academy of Sciences, Prague; Czech Republic.
- <sup>133</sup>Czech Technical University in Prague, Prague; Czech Republic.
- <sup>134</sup>Charles University, Faculty of Mathematics and Physics, Prague; Czech Republic.
- <sup>135</sup>Particle Physics Department, Rutherford Appleton Laboratory, Didcot; United Kingdom.
- <sup>136</sup>IRFU, CEA, Université Paris-Saclay, Gif-sur-Yvette; France.
- <sup>137</sup>Santa Cruz Institute for Particle Physics, University of California Santa Cruz, Santa Cruz CA; United States of America.
- <sup>138</sup><sup>(a)</sup>Departamento de Física, Pontificia Universidad Católica de Chile, Santiago;<sup>(b)</sup>Millennium Institute for Subatomic physics at high energy frontier (SAPHIR), Santiago;<sup>(c)</sup>Instituto de Investigación Multidisciplinario en Ciencia y Tecnología, y Departamento de Física, Universidad de La Serena;<sup>(d)</sup>Universidad Andres Bello, Department of Physics, Santiago;<sup>(e)</sup>Instituto de Alta Investigación, Universidad de Tarapacá, Arica;<sup>(f)</sup>Departamento de Física, Universidad Técnica Federico Santa María, Valparaíso; Chile.
- <sup>139</sup>Department of Physics, University of Washington, Seattle WA; United States of America.
- <sup>140</sup>Department of Physics and Astronomy, University of Sheffield, Sheffield; United Kingdom.
- <sup>141</sup>Department of Physics, Shinshu University, Nagano; Japan.
- <sup>142</sup>Department Physik, Universität Siegen, Siegen; Germany.
- <sup>143</sup>Department of Physics, Simon Fraser University, Burnaby BC; Canada.
- <sup>144</sup>SLAC National Accelerator Laboratory, Stanford CA; United States of America.

- <sup>145</sup>Department of Physics, Royal Institute of Technology, Stockholm; Sweden.
- <sup>146</sup>Departments of Physics and Astronomy, Stony Brook University, Stony Brook NY; United States of America.
- <sup>147</sup>Department of Physics and Astronomy, University of Sussex, Brighton; United Kingdom.
- <sup>148</sup>School of Physics, University of Sydney, Sydney; Australia.
- <sup>149</sup>Institute of Physics, Academia Sinica, Taipei; Taiwan.
- <sup>150</sup><sup>(a)</sup>E. Andronikashvili Institute of Physics, Iv. Javakhishvili Tbilisi State University, Tbilisi;<sup>(b)</sup>High Energy Physics Institute, Tbilisi State University, Tbilisi;<sup>(c)</sup>University of Georgia, Tbilisi; Georgia.
- <sup>151</sup>Department of Physics, Technion, Israel Institute of Technology, Haifa; Israel.
- <sup>152</sup>Raymond and Beverly Sackler School of Physics and Astronomy, Tel Aviv University, Tel Aviv; Israel.
- <sup>153</sup>Department of Physics, Aristotle University of Thessaloniki, Thessaloniki; Greece.
- <sup>154</sup>International Center for Elementary Particle Physics and Department of Physics, University of Tokyo, Tokyo; Japan.
- <sup>155</sup>Department of Physics, Tokyo Institute of Technology, Tokyo; Japan.
- <sup>156</sup>Department of Physics, University of Toronto, Toronto ON; Canada.
- <sup>157</sup><sup>(a)</sup>TRIUMF, Vancouver BC;<sup>(b)</sup>Department of Physics and Astronomy, York University, Toronto ON; Canada.
- <sup>158</sup>Division of Physics and Tomonaga Center for the History of the Universe, Faculty of Pure and Applied Sciences, University of Tsukuba, Tsukuba; Japan.
- <sup>159</sup>Department of Physics and Astronomy, Tufts University, Medford MA; United States of America.
- <sup>160</sup>United Arab Emirates University, Al Ain; United Arab Emirates.
- <sup>161</sup>Department of Physics and Astronomy, University of California Irvine, Irvine CA; United States of America.
- <sup>162</sup>Department of Physics and Astronomy, University of Uppsala, Uppsala; Sweden.
- <sup>163</sup>Department of Physics, University of Illinois, Urbana IL; United States of America.
- <sup>164</sup>Instituto de Física Corpuscular (IFIC), Centro Mixto Universidad de Valencia - CSIC, Valencia; Spain.
- <sup>165</sup>Department of Physics, University of British Columbia, Vancouver BC; Canada.
- <sup>166</sup>Department of Physics and Astronomy, University of Victoria, Victoria BC; Canada.
- <sup>167</sup>Fakultät für Physik und Astronomie, Julius-Maximilians-Universität Würzburg, Würzburg; Germany.
- <sup>168</sup>Department of Physics, University of Warwick, Coventry; United Kingdom.
- <sup>169</sup>Waseda University, Tokyo; Japan.
- <sup>170</sup>Department of Particle Physics and Astrophysics, Weizmann Institute of Science, Rehovot; Israel.
- <sup>171</sup>Department of Physics, University of Wisconsin, Madison WI; United States of America.
- <sup>172</sup>Fakultät für Mathematik und Naturwissenschaften, Fachgruppe Physik, Bergische Universität Wuppertal, Wuppertal; Germany.
- <sup>173</sup>Department of Physics, Yale University, New Haven CT; United States of America.
- <sup>a</sup> Also Affiliated with an institute covered by a cooperation agreement with CERN.
- <sup>b</sup> Also at An-Najah National University, Nablus; Palestine.
- <sup>c</sup> Also at APC, Université Paris Cité, CNRS/IN2P3, Paris; France.
- <sup>d</sup> Also at Borough of Manhattan Community College, City University of New York, New York NY; United States of America.
- <sup>e</sup> Also at Center for High Energy Physics, Peking University; China.
- <sup>f</sup> Also at Center for Interdisciplinary Research and Innovation (CIRI-AUTH), Thessaloniki ; Greece.
- <sup>g</sup> Also at Centro Studi e Ricerche Enrico Fermi; Italy.
- <sup>h</sup> Also at CERN, Geneva; Switzerland.
- <sup>i</sup> Also at Département de Physique Nucléaire et Corpusculaire, Université de Genève, Genève; Switzerland.
- <sup>j</sup> Also at Departament de Física de la Universitat Autònoma de Barcelona, Barcelona; Spain.

- <sup>k</sup> Also at Department of Financial and Management Engineering, University of the Aegean, Chios; Greece.
- <sup>l</sup> Also at Department of Physics and Astronomy, Michigan State University, East Lansing MI; United States of America.
- <sup>m</sup> Also at Department of Physics and Astronomy, University of Victoria, Victoria BC; Canada.
- <sup>n</sup> Also at Department of Physics, Ben Gurion University of the Negev, Beer Sheva; Israel.
- <sup>o</sup> Also at Department of Physics, California State University, Sacramento; United States of America.
- <sup>p</sup> Also at Department of Physics, King's College London, London; United Kingdom.
- <sup>q</sup> Also at Department of Physics, Royal Holloway University of London, Egham; United Kingdom.
- <sup>r</sup> Also at Department of Physics, Stanford University, Stanford CA; United States of America.
- <sup>s</sup> Also at Department of Physics, University of Fribourg, Fribourg; Switzerland.
- <sup>t</sup> Also at Department of Physics, University of Thessaly; Greece.
- <sup>u</sup> Also at Department of Physics, Westmont College, Santa Barbara; United States of America.
- <sup>v</sup> Also at Fakultät für Mathematik und Naturwissenschaften, Fachgruppe Physik, Bergische Universität Wuppertal, Wuppertal; Germany.
- <sup>w</sup> Also at Hellenic Open University, Patras; Greece.
- <sup>x</sup> Also at Institutio Catalana de Recerca i Estudis Avancats, ICREA, Barcelona; Spain.
- <sup>y</sup> Also at Institut für Experimentalphysik, Universität Hamburg, Hamburg; Germany.
- <sup>z</sup> Also at Institute for Nuclear Research and Nuclear Energy (INRNE) of the Bulgarian Academy of Sciences, Sofia; Bulgaria.
- <sup>aa</sup> Also at Institute of Applied Physics, Mohammed VI Polytechnic University, Ben Guerir; Morocco.
- <sup>ab</sup> Also at Institute of Particle Physics (IPP); Canada.
- <sup>ac</sup> Also at Institute of Physics and Technology, Ulaanbaatar; Mongolia.
- <sup>ad</sup> Also at Institute of Physics, Azerbaijan Academy of Sciences, Baku; Azerbaijan.
- <sup>ae</sup> Also at Institute of Theoretical Physics, Ilia State University, Tbilisi; Georgia.
- <sup>af</sup> Also at L2IT, Université de Toulouse, CNRS/IN2P3, UPS, Toulouse; France.
- <sup>ag</sup> Also at Lawrence Livermore National Laboratory, Livermore; United States of America.
- <sup>ah</sup> Also at National Institute of Physics, University of the Philippines Diliman (Philippines); Philippines.
- <sup>ai</sup> Also at Technical University of Munich, Munich; Germany.
- <sup>aj</sup> Also at The Collaborative Innovation Center of Quantum Matter (CICQM), Beijing; China.
- <sup>ak</sup> Also at TRIUMF, Vancouver BC; Canada.
- <sup>al</sup> Also at Università di Napoli Parthenope, Napoli; Italy.
- <sup>am</sup> Also at University of Colorado Boulder, Department of Physics, Colorado; United States of America.
- <sup>an</sup> Also at Washington College, Chestertown, MD; United States of America.
- <sup>ao</sup> Also at Yeditepe University, Physics Department, Istanbul; Türkiye.
- \* Deceased