



Fast b -tagging at the high-level trigger of the ATLAS experiment in LHC Run 3

The ATLAS Collaboration

The ATLAS experiment relies on real-time hadronic jet reconstruction and b -tagging to record fully hadronic events containing b -jets. These algorithms require track reconstruction, which is computationally expensive and could overwhelm the high-level-trigger farm, even at the reduced event rate that passes the ATLAS first stage hardware-based trigger. In LHC Run 3, ATLAS has mitigated these computational demands by introducing a fast neural-network-based b -tagger, which acts as a low-precision filter using input from hadronic jets and tracks. It runs after a hardware trigger and before the remaining high-level-trigger reconstruction. This design relies on the negligible cost of neural-network inference as compared to track reconstruction, and the cost reduction from limiting tracking to specific regions of the detector. In the case of Standard Model $HH \rightarrow b\bar{b}b\bar{b}$, a key signature relying on b -jet triggers, the filter lowers the input rate to the remaining high-level trigger by a factor of five at the small cost of reducing the overall signal efficiency by roughly 2%.

Contents

1	Introduction	2
2	The ATLAS detector and trigger system in LHC Run 3	3
3	Algorithms for b-jet trigger	4
3.1	Inner detector tracking	5
3.2	Jet finding	5
3.3	b -jet finding	6
4	Fast b-tagging	7
4.1	Jet reconstruction and tracking	7
4.2	The b -tagging algorithm, FASTDIPS	8
5	Performance assessment	8
5.1	Algorithm optimization and performance assessment in MC simulations	10
5.2	Performance assessment in Run 3 collision data	12
5.3	Impact on $HH \rightarrow b\bar{b}b\bar{b}$ signal acceptance	13
6	Conclusion	15

1 Introduction

The ATLAS experiment at the LHC relies on selective triggers to capture events containing b -hadron-initiated jets (b -jets), which are associated with a variety of physics processes. Within the Standard Model these processes range from frequently occurring top quark production (predominantly decaying into a b -quark and a W boson) to rare processes like associated production of a Higgs boson with top quark pairs (where all particles decay hadronically), or Higgs pair production (where at least one of the Higgs bosons decays into a $b\bar{b}$ pair [1, 2]). Beyond the Standard Model many theories feature decays of hypothetical new particles into final states containing b -quarks [3, 4].

Extensive studies were conducted by the LHC experiments on the properties of the Higgs boson, discovered in 2012 [5, 6], revealing no evidence of physics beyond the Standard Model so far. Of particular interest is the trilinear Higgs boson self-coupling, λ_{HHH} , which connects the Higgs boson mass to the vacuum expectation value and plays a role in the production of Higgs boson pairs, offering valuable tests for the electroweak symmetry breaking mechanism. Deviations from the Standard Model prediction of the Higgs boson self-coupling are pertinent in theories extending the Standard Model and as such measuring this coupling is a key goal of the LHC physics programme. Nevertheless, detecting Higgs boson pairs at the LHC presents challenges due to their low production cross-section: strong evidence is only expected to emerge during the HL-LHC data taking [7, 8]. To effectively investigate this process it becomes crucial to optimise the trigger efficiency for Higgs boson pair production. Among the various decay channels of HH , the one with the highest branching ratio involves both bosons decaying into two b -quarks each. This specific channel poses significant triggering difficulties as there are few discernible features in the event beyond the presence of the b -quarks.

Jets originating from b -quarks produce b -hadrons, which have a non-negligible lifetime, on the order of 10^{-12} s [9]. These b -hadrons can travel a measurable distance, on the order of 2 mm, before decaying, leaving the striking signature of a *secondary* decay vertex separate from the *primary* interaction vertex of the proton–proton (pp) collision. In addition to the decay length, b -jets can be distinguished from jets originating from gluons or light quarks (i.e., jets that do not contain a heavy-flavour b - or c -hadron, called *light-jets*), by the larger charged-particle multiplicity, the high fraction of jet energy carried by tracks displaced from the primary interaction vertex, and the invariant mass of these displaced tracks.

Algorithms for identifying, or *tagging*, b -jets take as input the properties of individual jets, together with well-reconstructed tracks within these jets. Optimisation of these algorithms aims at minimising the background rate, or equivalently, maximizing the rejection of light-jets and c -jets (i.e. jets originating from c -hadrons) for a fixed target b -tagging efficiency. The algorithms are separately optimised for use at the trigger level and in offline reconstruction, due to the tight CPU and memory constraints associated with the online processing and the need for maximum precision offline. Remaining within these limitations while balancing background rejection and signal efficiency is the main challenge of the b -jet trigger.

The b -jet trigger selections were among the most CPU-intensive selections at the trigger level during Run 2 data taking [10] and as such any reduction in the time to process a single b -jet event can free considerable resources. These free CPU cycles can then be rededicated to improve trigger level reconstruction and expand the physics reach of the experiment.

A novel approach to b -tagging at trigger level was introduced for Run 3 data taking to minimise excess computation with minimal cost in signal acceptance. This was done by implementing a rapid b -tagging preselection, which is executed after identifying jets using calorimetry but before the computationally expensive full-event track reconstruction. The preselection reduces tracking to specific detector areas around high-energetic jets, effectively serving as an early background rejection tool. This rejection method decreases the processing load from multi- b signatures, resulting in a reduction of CPU usage and keeping overall resource use within the capacity of the computing farm’s budget.

The new approach is presented in this paper, which is structured as follows. A brief description of the ATLAS detector and trigger system is given in Section 2. The algorithms used as input to b -jet trigger selections are described in Section 3. The new *fast b -tagging* is described in Section 4 and its performance in Section 5. The paper concludes with a summary in Section 6. Details on the ATLAS Run 3 trigger, including tracking CPU consumption and timing measurements, as well as an assessment of the overall performance of the b -tagging at the trigger level, are provided in Ref. [11].

2 The ATLAS detector and trigger system in LHC Run 3

The ATLAS detector [12, 13] covers nearly the entire solid angle around the collision point.¹ It consists of an inner tracking detector surrounded by a thin superconducting solenoid, electromagnetic and hadronic calorimeters, and a muon spectrometer incorporating three large superconducting toroidal magnets. The

¹ ATLAS uses a right-handed coordinate system with its origin at the nominal interaction point (IP) in the centre of the detector and the z -axis along the beam pipe. The x -axis points from the IP to the centre of the LHC ring, and the y -axis points upwards. Cylindrical coordinates (r, ϕ) are used in the transverse plane, ϕ being the azimuthal angle around the z -axis. The pseudorapidity is defined in terms of the polar angle θ as $\eta = -\ln \tan(\theta/2)$. Angular distance is measured in units of $\Delta R \equiv \sqrt{(\Delta\eta)^2 + (\Delta\phi)^2}$.

tracking detector and the calorimeters are relevant components to this paper and they are summarised below.

The inner detector system is immersed in a 2 T axial magnetic field and provides charged-particle tracking in the range $|\eta| < 2.5$. The high-granularity silicon pixel detector covers the vertex region and typically provides four measurements per track, the first hit being normally in the insertable B-layer installed before Run 2 [14, 15]. It is followed by the semiconductor tracker (SCT), which usually provides eight measurements per track. These silicon detectors are complemented by the transition radiation tracker (TRT), which enables radially extended track reconstruction up to $|\eta| = 2.0$. The TRT also provides electron identification information based on the fraction of hits above a higher energy-deposit threshold corresponding to transition radiation.

The calorimeter system covers the pseudorapidity range $|\eta| < 4.9$. Within the region $|\eta| < 3.2$, electromagnetic calorimetry is provided by barrel and endcap high-granularity lead/liquid-argon (LAr) calorimeters, with an additional thin LAr presampler covering $|\eta| < 1.8$ to correct for energy loss in material upstream of the calorimeters. Hadronic calorimetry is provided by the steel/scintillator-tile calorimeter, segmented into three barrel structures within $|\eta| < 1.7$, and two copper/LAr hadronic endcap calorimeters. The solid angle coverage is completed with forward copper/LAr and tungsten/LAr calorimeter modules optimised for electromagnetic and hadronic measurements, respectively.

The ATLAS trigger and data acquisition system is responsible for the online processing and event selection for permanent storage and offline analysis. It employs a two-level trigger system [16] to select data at an average rate of about 3 kHz. Its first level (Level-1 or L1) is hardware based. It uses custom-made electronics to select events after processing signals coming from the calorimeters and muon chambers. The Level-1 system runs at a fixed latency of $2.5 \mu\text{s}$ and accepts events at a maximum rate of 100 kHz. The second level of the trigger system, the high-level trigger (HLT), uses a dedicated computing farm of approximately 60,000 physical processing cores or 2.0M HS06 [17] to run algorithms similar to those used in the offline reconstruction. The HLT software was redesigned for Run 3 to support multi-threaded execution, allowing for more efficient use of computing resources. The algorithms execution order is optimised to run fast algorithms first, providing early background rejection, and more precise and CPU-intensive algorithms later to make the final event selection. Both the L1 and HLT triggers, in addition to performing selection, can identify Regions-of-Interest (RoIs) in η , ϕ , and z , which limit the regions of the detector on which subsequent algorithms are executed. The processing uses data from all detectors either in RoIs only or in more extended η - ϕ and z range (up to the full detector), depending on the algorithms. The HLT makes a decision within a few hundred milliseconds on average. The selected events are sent to permanent storage with a throughput of up to 8 GB/s.

An extensive software suite [18] is used in data simulation, in the reconstruction and analysis of real and simulated data, in detector operations, and in the trigger and data acquisition system of the experiment.

3 Algorithms for b -jet trigger

The algorithms running at the HLT are split into two general types: reconstruction algorithms, which create objects such as tracks, clusters and jets; and hypothesis algorithms, which apply selections on the reconstructed objects, or combinations of those. Three categories of algorithms are relevant to the work presented in this document: inner detector tracking, jet finding and b -jet finding. The related reconstruction algorithms are described in what follows.

3.1 Inner detector tracking

A previous paper describes the design and performance of the HLT inner detector tracking on ATLAS during the LHC Run 2 [19]. The algorithms are improved for Run 3 but the Run 2 description is sufficient for the purposes of this paper. The tracking algorithms operate in two steps: a *fast tracking* stage typically followed by a *precision tracking* stage.

Before any tracking algorithm is run, the data in the silicon modules of the inner detector are reconstructed into clusters. This can be run on the full detector or within RoIs; the later approach saves both processing time and data transfer bandwidth. The TRT data within RoIs is only processed for the precision tracking stage. In events characterised by large jet multiplicities or large number of simultaneous pp interactions per bunch crossing (pile-up), multiple individual RoI constituents can be merged into a *super-RoI*, such that the tracking algorithm does not run multiple times in RoIs with large overlapping regions, which would lead to wasted CPU resources and biases due to track double-counting.

The fast track finder (FTF) provides track candidates to use early in the trigger or when the resource-intensive precision tracking is not affordable. In the FTF pattern recognition initial track candidates are formed using a simple track finding algorithm that extends the track candidates into further layers to find additional hits. The FTF design focuses on efficiency over purity. As described further in Section 3.2, full-event fast track finding is a prerequisite for the standard Run 3 trigger jet reconstruction. In addition these tracks are used to construct a primary vertex, defined as the vertex with the highest scalar sum of the squared transverse momenta (p_T^2) of all associated tracks.

In the case of b -jet triggers, FTF tracking runs again, with a lower minimum p_T requirement and looser requirements on track quality, in RoIs in restricted η , ϕ and z regions around b -jet candidates. These FTF tracks are used to seed the precision tracking, which is used for the final b -jet selection in the trigger. Precision tracking takes the FTF tracks as input and applies a version of the offline tracking algorithms configured to run fast in the trigger. This includes algorithms that improve the purity of the FTF tracks by removing track duplicates. The track candidates are extended into the TRT to improve the momentum resolution. Overall, the trigger tracking efficiency is driven by the FTF one, since these tracks are used as seeds to the precision step. The precision tracking performs higher quality fits that improve the purity and the quality, approaching that of the offline reconstructed tracks.

3.2 Jet finding

Jet finding at trigger level is described in the ATLAS Run 2 trigger commissioning paper [16], and is summarised only briefly here. At Level-1, jets are defined as 4×4 or 8×8 trigger tower windows for which the summed electromagnetic and hadronic transverse energy exceeds predefined thresholds and which surround a 2×2 trigger tower core that is a local maximum. Besides the transverse energy thresholds, Level-1 selections depend on the multiplicity or the topology [20] of jets in the event. Typically, jet algorithms are executed at the HLT on events accepted by Level-1 jet trigger selections.

A major improvement in the Run 3 jet trigger is the introduction of particle flow, adopting the offline reconstruction algorithms described in Ref. [21]. In this paradigm, jets (referred to as PFlow jets) are clustered from charged and neutral particle flow constituents. Candidates for b -tagging are clustered with the anti- k_t algorithm [22] with a radius parameter $R = 0.4$. Charged constituents are built from selected tracks and matched to topological clusters [23] of calorimeter energy deposits. To reduce the effects of pile-up, only charged constituents matched to the primary vertex are considered. Neutral constituents are

built from calorimeter energy clusters where the energy associated to the charged constituents is subtracted to avoid double-counting.

While P_{FLOW} jets improve energy resolution and reduce the effects of pile-up, the added dependence on tracking adds significant CPU costs. Jets reconstructed from calorimeter energy clusters alone (referred to as E_{MTOPO} jets) are used in the fast *b*-tagging described in Section 4, to avoid the CPU burden incurred by tracking. Both P_{FLOW} and E_{MTOPO} jets are calibrated to improve the fidelity of the momentum of the measured jet with respect to the underlying particle shower, detailed in the ATLAS Run 2 offline jet calibration paper [24]. In the case of E_{MTOPO} jets, trigger reconstruction uses a variant of the Run 2 offline calibration that uses calorimeter information only.

3.3 *b*-jet finding

The HLT *b*-jet finding in ATLAS uses a combination of multivariate algorithms that typically take as input features the reconstructed jets, reconstructed tracks, and the position of the primary vertex. In Run 3, ATLAS unified HLT algorithms with their offline counterparts. Previous ATLAS papers describe the Run 2 *b*-jet trigger [25], and the updated algorithms that form the basis of Run 3 offline and trigger *b*-tagging [26].

In Run 2, fast tracks reconstructed with the FTF algorithm within super-RoIs were used for primary vertex finding; precision tracks were reconstructed within E_{MTOPO} jets that passed a minimum transverse energy (E_T) threshold. The final stage of the *b*-jet trigger assessed the probability that these jets originated from a *b*-hadron decay. This probability was evaluated in two steps. The first step used low-level algorithms that matched tracks to jets, reconstructed secondary vertices, and identified tracks with large impact parameters relative to the primary vertex. The second step, which ran on the output of these low-level algorithms, employed machine learning algorithms that provided excellent discrimination between *b*-jets and light-jets or *c*-jets.

Since in Run 2 the *b*-jet finding involved running precision tracking in all jet RoIs above a minimum E_T threshold, the *b*-jet trigger selections were the most CPU-intensive selections at the ATLAS HLT. To reduce resource demands, tighter jet E_T and η selections can be applied before tracking is executed, but this reduces the physics acceptance of the resulting triggers.

A new approach was introduced for Run 3 that significantly reduces the CPU needs for *b*-jet trigger finding while maintaining excellent efficiency for key physics processes, such as Standard Model $HH \rightarrow b\bar{b}b\bar{b}$ decays. This approach exploits the efficacy of machine learning in identifying *b*-jets of sufficient quality for preselection at the HLT, while using lower quality input objects relative to the state-of-the-art *b*-tagging algorithms developed within ATLAS. The deployment of the *fast b-tagging* is schematically demonstrated in Figure 1, where it is also compared with the Run 2 online *b*-jet reconstruction.

In this paper, we use the term *fast b-tagging* to describe the newly introduced fast *b*-tagging preselection, which uses the FASTDIPS tagger, presented in the following section. To simplify matters, we also use the term FASTDIPS to refer to the entire fast *b*-tagging preselection. Additionally, we refer to *high-level b-tagging* as the final selection used at the HLT, which relies on a tagger in the DL1 series [26], which is optimised for the trigger.

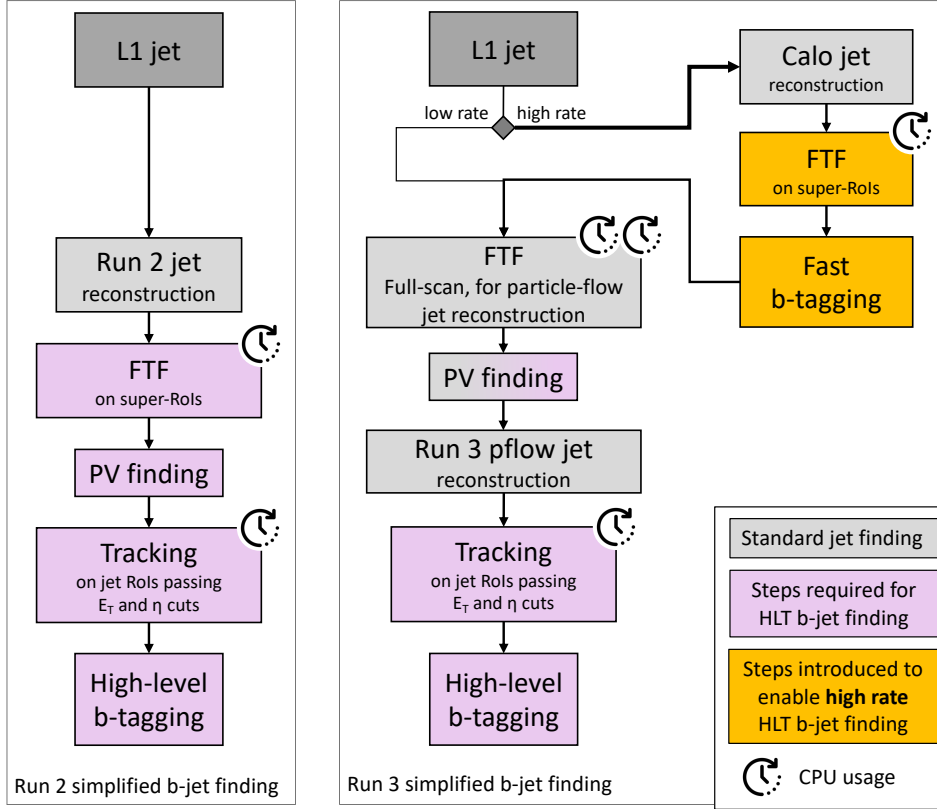


Figure 1: Simplified schematic descriptions of the b -jet trigger selections in two different ATLAS trigger implementations: the Run 2 implementation on the left, and the Run 3 implementation on the right. The Run 3 implementation follows two different execution paths: nearly all high-rate triggers follow the case described here, with preselection for running at high L1 input rate; in cases where the L1 input rate is already acceptably low the preselection is omitted.

4 Fast b -tagging

The fast b -tagging sequence spans three steps: (1) jets are reconstructed from energy deposits in the calorimeter, (2) fast tracking is run within a super-RoI defined by the reconstructed jets, and finally (3) b -jets are identified with `FASTDIPS`, a deep-sets-based neural network [27], based on the offline ATLAS DIPS algorithm [28], which ingests tracks and jets as inputs. Events can be rejected following either the jet reconstruction or the b -tagging steps. As a low-precision filter, the sequence is optimised to reduce backgrounds without substantially reducing signal efficiency. The three fast b -tagging sequence steps are described in the following.

4.1 Jet reconstruction and tracking

As introduced in Section 3.2, `EMT0` jets are reconstructed and serve as inputs to the first event-level filtering step. A trigger chain can require some number of these jets above a given E_T threshold and within a pseudorapidity range. Events that fail this requirement are rejected.

Each jet that passes the above selection seeds an RoI for track reconstruction. These RoIs cover the entire z -range of the interaction region, and project outward in a slice from the beamline, with a ϕ and η half-width of 0.3. To avoid duplicated track reconstruction from overlapping RoIs, all the RoIs within a single event are merged into one super-RoI, and track finding is run once in the union of the regions.

4.2 The b -tagging algorithm, FASTDIPS

Tracks within the super-RoI are associated to the nearest jet if they fall within a cone around the jet², which shrinks with growing jet p_T . The jets are then classified as either b - or c -hadron initiated, or as light, by a retrained DIPS-based neural network. In simulated events, ATLAS uses a standard jet flavour definition to match generator-level hadrons with reconstructed jets. A b -hadron within $\Delta R = 0.3$ of the centre of the nearest jet labels the jet as a b -jet. Otherwise the same procedure is repeated for c -hadrons, then τ -leptons. Any remaining jets are labelled as light. Both b - and c -hadrons must have $p_T > 5$ GeV to be considered for labelling.

Tracks are represented by the variables summarised in Table 1. Each associated track is fed through a feed-forward neural network, which maps the initial track representation to a 128-dimensional latent space. The full jet representation in this space is computed by summing the latent vectors representing tracks over all tracks in the jet. The sum of these latent vectors is then mapped to a three-element jet flavour posterior (p_b, p_c, p_u) via another feed-forward network, where the three elements correspond to jets that are b -hadron initiated, c -hadron initiated, or any other flavour. These posteriors are collapsed to a single discriminating variable D_b with the formula:

$$D_b \equiv \log \frac{p_b}{p_c f_c + (1 - f_c) p_u}, \quad (1)$$

where f_c is an adjustable constant used to tune the charm rejection for the tagger. In the results that follow $f_c = 0.018$, the value used for the offline DIPS implementation. A jet is considered b -tagged when the D_b discriminant is above a specific threshold. A trigger chain can require any number of jets to pass a b -tagging requirement: events that fail this requirement are rejected.

The network was trained on ten million jets from simulated $t\bar{t}$ interactions that include all jet flavours, with hyperparameters similar to those selected for the original DIPS tagger [28]. To prevent the discriminant from preferentially selecting jets based on kinematics, the jets were resampled to have the same two-dimensional p_T and η distributions for each flavour. The discriminant was trained in the KERAS interface to TENSORFLOW [29] and ported to the ATLAS trigger software with LWTNN [30, 31].

5 Performance assessment

The fast b -tagging approach was evaluated in Monte Carlo (MC) simulations before being deployed to the trigger menu for online use. The performance was also evaluated using the first Run 3 collision data. This section provides a summary of the performance assessment for both simulations and data, including the impact on the CPU consumption of the HLT farm. Additionally, this section discusses the effect of this new algorithm on the acceptance of the $HH \rightarrow b\bar{b}b\bar{b}$ signal.

² The standard ATLAS flavour-tagging association cone, defined by $\Delta R < 0.239 + \exp(-1.22 - 0.0164/\text{GeV} \cdot p_T)$, is used here.

Variable	Description
Track Kinematics	
d_0	Distance of closest approach to the beamline
d_0^{life}	Lifetime signed d_0
z_0^{beam}	Displacement between beamspot centre and closest approach to beamline, projected along beamline
$\log \sigma_{z_0^{\text{beam}}}$	Log of uncertainty in z_0^{beam}
$\log \left(p_{\text{T}}^{\text{track}} / p_{\text{T}}^{\text{jet}} \right)$	Log of fraction of jet p_{T} carried in track
q/p	Particle charge divided by momentum
$\Delta\eta(\text{track}, \text{jet})$	Angular separation between track and jet
$\Delta\phi(\text{track}, \text{jet})$	
$\Delta R(\text{track}, \text{jet})$	
Track Quality	
$n_{\text{hits pixel}}$	Number of pixel hits
$n_{\text{hits SCT}}$	Number of SCT hits
$n_{\text{hits inner}}$	Number of innermost pixel layer hits
$n_{\text{hits next inner}}$	Number of next-to-innermost pixel layer hits
n_{DOF}	Number of degrees of freedom in track fit
χ^2	$\sum_{\text{hits on track}} (r/\sigma_r)^2$ [$r \equiv$ hit residual, $\sigma_r \equiv$ residual uncertainty]

Table 1: Inputs for fast b -tagging neural network. The conventional d_0 takes the sign of $(\vec{p}_0 \times \vec{d}_0) \cdot \hat{z}$, where \vec{d}_0 is the track displacement at the closest approach to the beamline and \vec{p}_0 is the momentum at that point. A lifetime-signed variant, d_0^{life} , is given a positive sign if $|\phi_0 - \phi_{\text{jet}}| < \pi/2$ and a negative sign otherwise, where ϕ_0 and ϕ_{jet} are the ϕ components of the track displacement and the jet momentum, respectively.

Metrics used for performance assessment. Receiver Operating Characteristic (ROC) curves are used to show the dependency of the b -jet efficiency to the light-jet rejection, which is the inverse of the light-jet efficiency. Both quantities are evaluated with simulated $t\bar{t}$ events. For the ROC curves and elsewhere, the efficiency is defined using *true* b -jets, defined by the labelling described in Section 4.2. The b -jet efficiency is the ratio of the number of true b -jets b -tagged with algorithm X , over the number of true b -jets with no b -tagging applied:

$$b\text{-jet efficiency of algorithm } X = \frac{\# \text{ true } b\text{-jets tagged with algorithm } X}{\# \text{ true } b\text{-jets}}. \quad (2)$$

This also allows comparisons between different preselection methods. We calculate the light-jet efficiency by applying the same formula to light-jets. The inverse of this efficiency is defined as the light-jet *rejection*, and is plotted on the y -axis in the ROC curves presented in this paper.

To evaluate the correlations between FASTDIPS and the high-level b -tagging algorithm used at the HLT, we define conditional efficiencies. The conditional b -jet efficiency of the fast b -tagging algorithm FASTDIPS compared with the high-level b -tagging is defined as follows:

$$\text{Conditional } b\text{-jet efficiency} = \frac{\# \text{ true } b\text{-jets tagged with both fast and high-level } b\text{-tagging}}{\# \text{ true } b\text{-jets tagged with high-level } b\text{-tagging}}. \quad (3)$$

Finally, we evaluate the performance of the fast b -jet preselection in both data and MC simulations as a function of the leading trigger-level reconstructed PFlow jet p_{T} , where the high-level b -tagging is applied,

to estimate the impact of this additional preselection to the final object of interest. Two efficiencies are defined, as follows:

$$\text{Jet-level } b\text{-tagging efficiency} = \frac{\# \text{ jets with both a fast and a high-level } b\text{-tag}}{\# \text{ jets with a high-level } b\text{-tag}}, \quad (4)$$

$$\text{Event-level } b\text{-tagging efficiency} = \frac{\# \text{ events with both } \geq 1 \text{ fast and } \geq 1 \text{ high-level } b\text{-tag}}{\# \text{ events with } \geq 1 \text{ high-level } b\text{-tag}}. \quad (5)$$

For the jet-level efficiency, we apply a simple geometric matching between P_{LOW} jet and the EMT_{OP} jet, requiring $\Delta R < 0.3$ and a relative p_T difference less than 10%. This matching is required to compare the high-level b -tagging, which is applied on P_{LOW} jets, to FASTDIPS, which uses EMT_{OP} jets. The event-level efficiency is determined by counting the events that contain at least one high-level b -tag (denominator), and then counting the subset of events with at least one fast b -tag (numerator). In the event-level efficiency no geometric matching applied between the two tagged jets.

The studies presented in this paper use trigger-level reconstructed P_{LOW} jets and high-level b -tagging as reference quantities instead of offline quantities. This choice was made to evaluate the impact of fast b -tagging with respect to an online high-level b -tagging algorithm, which is similar to the offline b -tagging.

5.1 Algorithm optimization and performance assessment in MC simulations

MC simulations were used to train the fast b -tagging algorithm and assess its performance before data taking. Simulated $t\bar{t}$ events produced in pp collisions were used to provide a sample of b -, c - and light-flavour jets. The production of $t\bar{t}$ events was modelled using the POWHEG BOX v2 [32–35] generator. The events were interfaced to PYTHIA 8.230 [36] to model the parton shower, hadronisation, and underlying event, with parameter values set according to the A14 tune [37] and using the NNPDF2.3_{LO} set of PDFs [38]. The decays of bottom and charm hadrons were performed by EVTGEN 1.6.0 [39]. Similar b -tagging algorithms have shown limited simulation dependence, on the order of 10% for efficiency and background rejection, for common ATLAS event simulation chains [40].

The effect of multiple pp interactions in the same event was modelled by overlaying the hard-scatter interactions with events from the PYTHIA 8.160 generator, using the NNPDF2.3_{LO} PDF set and the A3 parameter tune [41]. Particle interactions with the detector are simulated with ATLAS software [42] based on GEANT4 [43]. Events generated with $\sqrt{s} = 13$ TeV were used for training the fast b -tagging algorithm, while events generated with $\sqrt{s} = 13.6$ TeV were used for performance evaluation.

Since the background trigger rate is driven by light flavour jets, the results presented in this paper focus on light jet rejection and omit c -jet rejection, which is lower but otherwise similar as documented in other ATLAS results described above. Besides ROC curves and efficiency calculations, the CPU consumption was also evaluated and taken into account for deciding the optimal operational points of the algorithm. These three aspects are discussed in this section.

The fast b -tagging algorithm performance is evaluated for various requirements on the minimum track p_T , and for several RoI sizes around the jet axis, given in η and ϕ half-widths (half of the full width, also discussed in Ref. [25]). The results are shown in Figure 2. A minimum p_T requirement of 1.0 GeV performs slightly worse than 0.5 GeV, while a minimum requirement of 1.5 GeV results in a large degradation of

b -tagging performance. Only a small loss in performance is observed when decreasing the RoI size from 0.5 to 0.3, but a substantial loss is seen for smaller RoIs. The CPU time required to reconstruct tracks in a RoI centred on the jet axis is also evaluated and presented in Figure 2(c). The final working point for the 2022 data taking is defined at RoI η and ϕ half-widths of 0.3 and track $p_T \geq 1$ GeV. This working point ensures that the CPU cost of fast tracking is less than 30% of the cost of the same algorithm with full inner detector acceptance; the same fast tracking algorithm runs at full inner detector acceptance in a next step in the trigger processing (as shown in Figure 1), but at lower rate, after the FASTDIPS preselection.

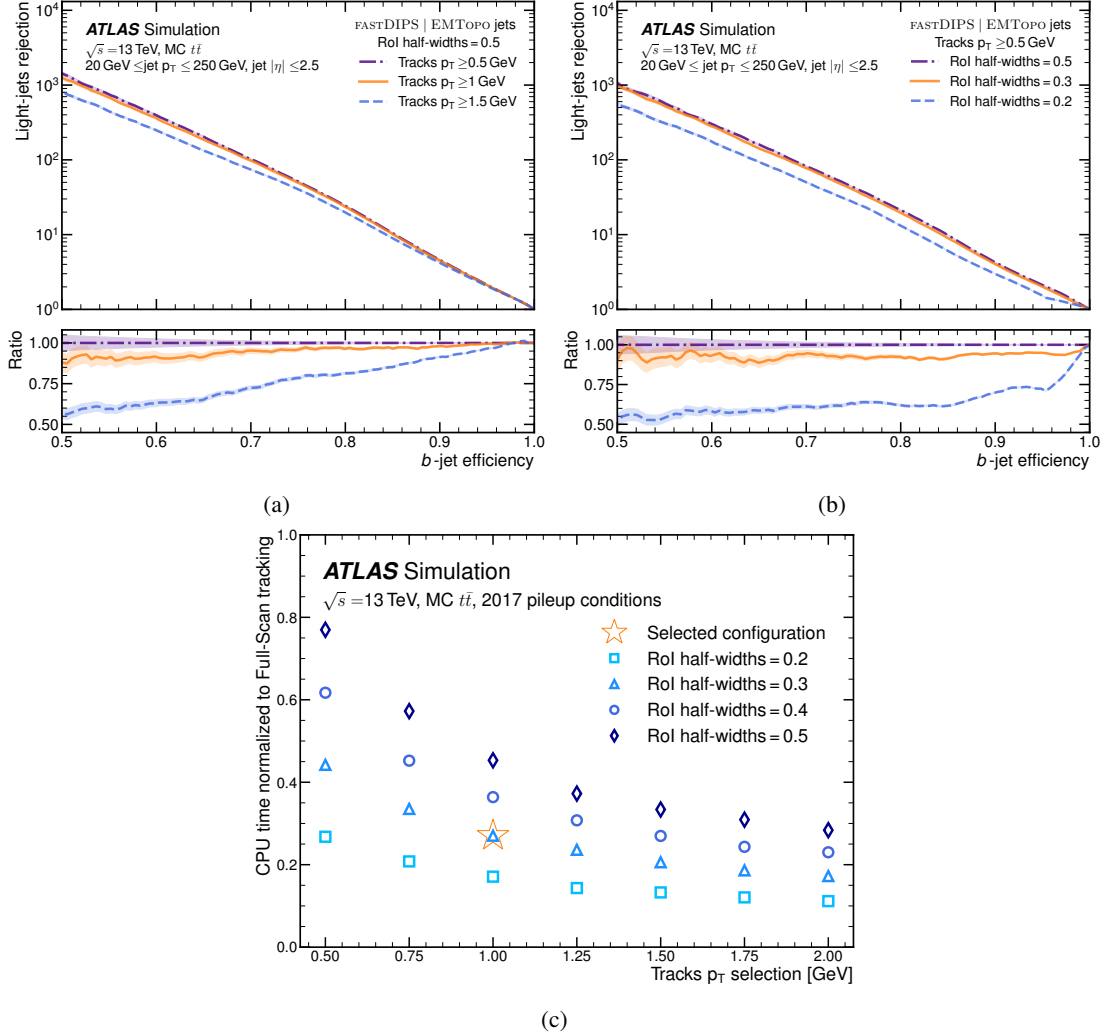


Figure 2: Optimization of the RoIs used as input for fast track finder execution. Figures (a) and (b) show the light jet rejection ($1/\text{light jet efficiency}$) as a function of the b -jet efficiency, for several choices of minimum track p_T and RoI size. Statistical uncertainties for each ROC curve, represented with shaded regions, are computed assuming binomial efficiency errors. Figure (c) shows the CPU time required to reconstruct tracks in RoIs of different sizes and centred on the jet axis, normalised to the time employed for running the same tracking algorithms over the full inner detector acceptance. It demonstrates the relative impact of the algorithm configurations on the CPU requirements. The full detector tracking requires track $p_T > 1$ GeV. All points, and the full detector baseline CPU estimate, use the same simulated 13 TeV $t\bar{t}$ events, and assume 2017 pile-up condition. The final configuration selected for Run 3 is indicated in (c) by an open star.

The fast b -tagging performance is compared to the high-level b -tagging performance in Figure 3. A

comparison of the light-jet rejection, which drives the rate reduction, is shown in Figure 3(a), while Figure 3(b) shows the conditional efficiency of `FASTDIPS` with respect to the high-level b -tagging algorithm. For a `FASTDIPS` preselection with 85% efficiency, the light jets rejection, and thus rate reduction achieved, is a factor of ten. The conditional efficiency of this fast b -tagging preselection with respect to the high-level b -tagging algorithm without any preselection is at least 90% for any chosen working point.

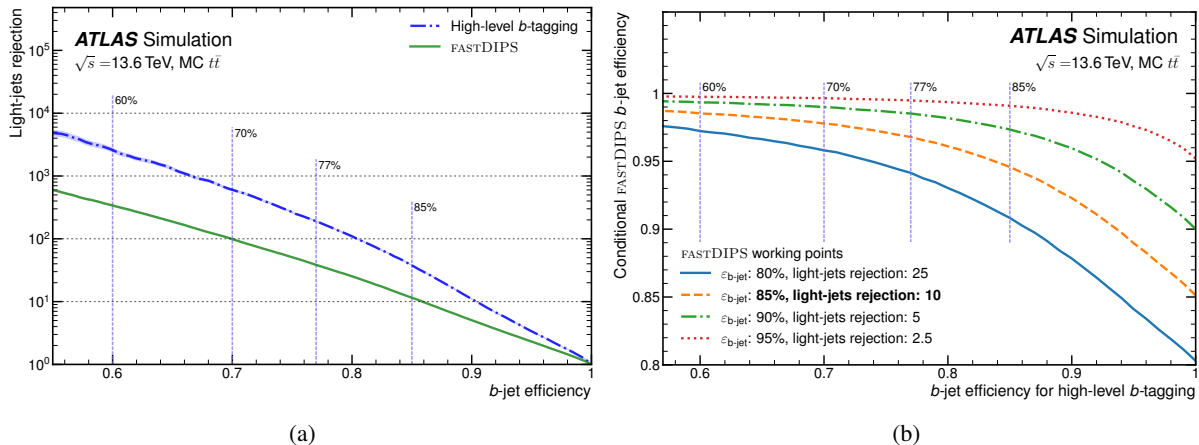


Figure 3: Comparisons of fast and high-level b -tagging. Fast b -tagging is applied to EMTopo jets, while high-level b -tagging is applied to PFlow jets. Figure (a) gives the light-jet rejection as a function of b -tagging efficiency for both approaches, fast and high-level b -tagging. Statistical uncertainties for each ROC curve, represented with shaded regions, are computed assuming binomial efficiency errors. Figure (b) gives the conditional efficiency for fast b -tagging to identify a true EMTopo b -jet, as a function of the efficiency of the high-level b -tagging selection on PFlow jets. The latter are matched with EMTopo jets. Jets are required to have $p_T > 20$ GeV. The different curves show the conditional efficiencies for multiple `FASTDIPS` discriminant selections. The working point with 85% efficiency is used in the trigger. The purple vertical dashed lines represent the most common working points used for b -tagging.

5.2 Performance assessment in Run 3 collision data

To verify that the simulation-based results above accurately describe data, we relied on an event selection that is enriched in $t\bar{t}$ events. Unless otherwise specified, all objects referenced below are reconstructed in the HLT. The $t\bar{t}$ events are obtained by requiring the presence of an energetic electron, a muon without any Level-1 requirement, and at least one PFlow jet b -tagged at the 80% working point. To ensure a high efficiency for the lepton triggers, further requirements are applied on the offline electrons and offline muons. We require a single *tight* identified electron [44] with $p_T > 28$ GeV and $|\eta| < 2$ and a single muon with $p_T > 25$ GeV and $|\eta| < 2$. Also, for these studies both EMTopo and PFlow jets are required to be reconstructed with a p_T greater than 25 GeV and $|\eta| < 2.5$. The latter have an additional requirement³ on the jet vertex tagger score [45] to suppress pile-up jets. The same treatment is performed on the $t\bar{t}$ MC sample that is used for the comparison.

The efficiency of the fast b -tagging preselection with respect to the high-level b -tagging algorithm is tested both at the jet- and event-level with the metrics defined in Eq. (4) and (5). The evaluated fast b -tagging working point is the nominal 85% used in the trigger selections during 2022 data taking. The high-level b -tagging algorithm is used at two working points for comparison, 80% and 60%, both used in different

³ JVT ≥ 0.5 for jets with $p_T < 60$ GeV, otherwise no requirement.

trigger selections during 2022 data taking. The event-level efficiency for each case is reported in Figure 4(a): the FASTDIPS selection has an efficiency ranging from 93% to 99%. The jet-level efficiencies are studied for the same working points, 85% for the fast b -tagging algorithm and both 80% and 60% for the high-level b -tagging algorithm. The results are shown in Figure 4(b).

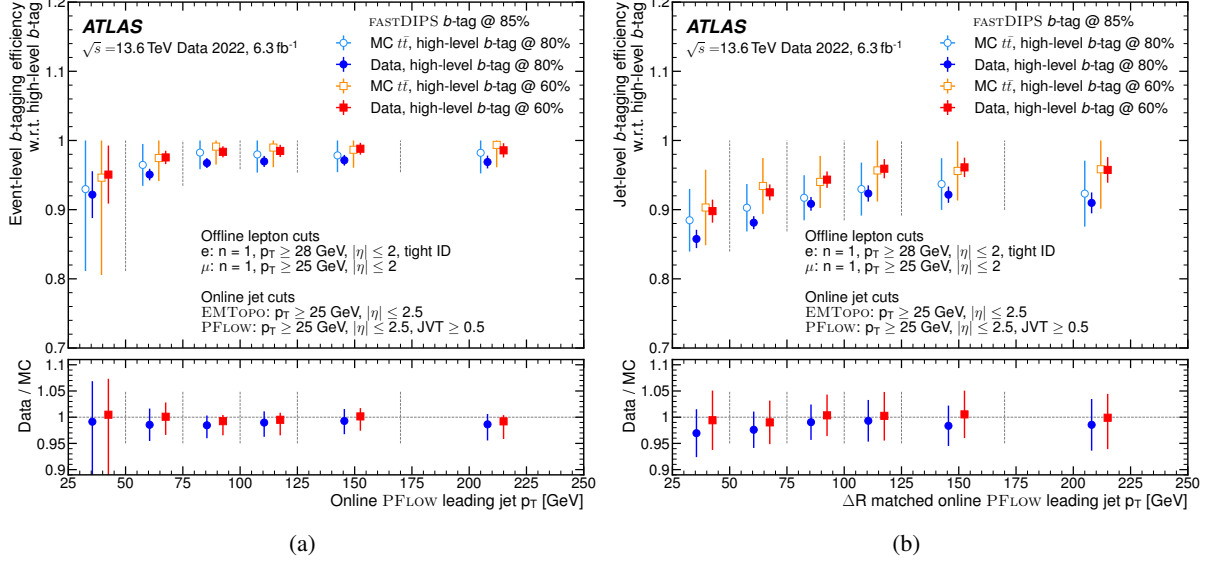


Figure 4: Event-level and jet-level efficiencies in simulated $t\bar{t}$ events and data recorded by a trigger selecting $t\bar{t}$ -like events, at $\sqrt{s} = 13.6$ TeV. Figure (a) shows the event-level efficiency for at least one fast b -tag, in bins of the leading jet p_T , in events that already have at least one EMTopo jet and one high-level b -tag. Figure (b) shows the corresponding jet-level efficiency for the fast b -tagging algorithm with respect to the high-level b -tagging one. The two plots have the same binning, bin edges are displayed with the vertical dashed lines. For the jet-level efficiency, EMTopo and PFlow jets are geometrically matched with a $\Delta R < 0.3$, and p_T relative difference less than 10%. In both figures, the displayed uncertainties are statistical only. In the ratio panels, the errors are propagated as the quadratic sum of the statistical uncertainties.

We studied the stability of FASTDIPS under different pile-up conditions by binning data with respect to the actual number of pp interactions per bunch crossing, denoted by $\langle\mu\rangle$. The trend of the average number of b -tagged jets per event, for progressively more stringent FASTDIPS selections, is shown in three different bins of $\langle\mu\rangle$ in Figure 5. For high pile-up events, the b -tagged jet multiplicity increases with looser network selections, due to the increased number of mis-tagged jets. For tighter discriminant selections, such as those used for defining the b -jet working points, the pile-up dependence is reduced.

5.3 Impact on $HH \rightarrow b\bar{b}b\bar{b}$ signal acceptance

The detection of multi- b -hadron signatures, specifically $HH \rightarrow b\bar{b}b\bar{b}$, challenges the capacity of the ATLAS trigger and data acquisition system by requiring multiple b -tagged jets at low p_T , in a region of phase space that is overwhelmed by light jets from QCD interactions. HL-LHC trigger studies [46] have shown that raising p_T requirements will reduce trigger rates to an acceptable level, but at a significant cost in $HH \rightarrow b\bar{b}b\bar{b}$ acceptance. In Run 3, to maximise Standard Model $HH \rightarrow b\bar{b}b\bar{b}$ signal acceptance, ATLAS relies on a relatively high rate (8 kHz) L1 seed. The fast b -tagging algorithm reduces this rate further, to a level that is affordable in the current HLT CPU farm.

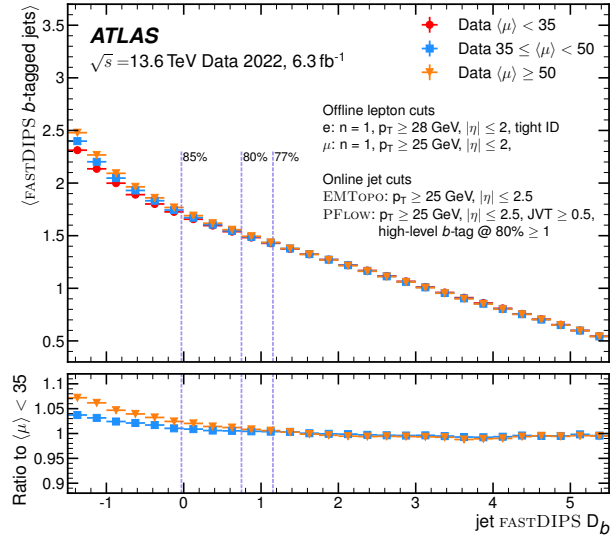


Figure 5: Mean number of b -tagged jets per event as a function of the FASTDIPS discriminant selection employed, in $t\bar{t}$ enriched data. The means are computed in data events, binned with respect to the average number of interactions per bunch crossing ($\langle\mu\rangle$). During the period of data taking considered, the value of $\langle\mu\rangle$ ranges from roughly 20 up to 60. Statistical uncertainties, reported as vertical lines, are smaller than the marker sizes, and therefore not visible. Vertical dashed lines represent three commonly used working points.

It is essential to verify that the gain achieved by the high-rate L1 item is maintained despite the introduction of the fast b -tagging preselection. The impact of that preselection is demonstrated in Table 2 in terms of both rejection power and physics acceptance, using $HH \rightarrow b\bar{b}b\bar{b}$ as a benchmark channel. The rejection factors of the HLT fast b -tagging preselection on top of L1 are estimated with Run 2 enhanced bias data [10], which are representative of the data that passes the L1 trigger. The L1 selection requires three central ($|\eta| < 2.5$) jets with $E_T > 15$ GeV, out of which the leading one is required to have $E_T > 45$ GeV and $|\eta| < 2.1$. The impact on the $HH \rightarrow b\bar{b}b\bar{b}$ acceptance is evaluated in an HLT selection that requires four PFLow jets ($p_T > \{80, 55, 28, 20\}$ GeV), two of which must be b -tagged with a high-level b -tagging discriminant above the 77% efficiency threshold [47]. Preselection with fast b -tagging requires at least four EMTopo jets with $p_T > 20$ GeV (which may overlap with the PFLow jets in the high-level b -tagging), two of which must pass a FASTDIPS requirement.

The HLT fast b -tagging preselection reduces the rate at which the high-level algorithm is running by a factor up to ten, which is necessary to reduce the L1 rate enough for the event-wide tracking to run at the HLT at the peak luminosity of the Run 3 data taking ($2 \times 10^{34} \text{ cm}^{-2}\text{s}^{-1}$). It also reduces the HLT rate by a small factor (around 10%). The relative trigger acceptance is calculated for $HH \rightarrow b\bar{b}b\bar{b}$ simulated events, comparing the HLT fast b -tagging preselection to the HLT $HH \rightarrow b\bar{b}b\bar{b}$ selection described above. We observed a negligible loss of $HH \rightarrow b\bar{b}b\bar{b}$ acceptance from the fast b -jet preselection, at a level of 2–4%. This acceptance loss is dwarfed by the much larger loss that would result from raised jet p_T thresholds or random trigger vetoes, at least one of which would be required without the FASTDIPS preselection.

Trigger selection	Preselection rejection factor on top of L1	$HH \rightarrow b\bar{b}b\bar{b}$ relative trigger acceptance
L1 + HLT preselection (85% WP) + HLT selection ($HH \rightarrow b\bar{b}b\bar{b}$)	~ 5	0.98
L1 + HLT preselection (80% WP) + HLT selection ($HH \rightarrow b\bar{b}b\bar{b}$)	~ 10	0.96

Table 2: Fast b -tagging trigger selection performance and impact on the $HH \rightarrow b\bar{b}b\bar{b}$ acceptance. Here *preselection* requires four EMTopo jets with $p_T > 20$ GeV, two of which must be b -tagged with FASTDIPS. The acceptance for the $HH \rightarrow b\bar{b}b\bar{b}$ signature of the trigger selection that is summarised in the first column of the table is evaluated relative to a trigger selection that does not include the HLT preselection.

6 Conclusion

The ATLAS high-level trigger has improved significantly in Run 3, in part owing to the use of tracking and other offline-like algorithms in hadronic signatures. These improvements come with a high CPU cost, and taken alone would have increased the CPU demands beyond what would be feasible in the ATLAS trigger computing farm. Flavour tagging, used in multi- b selections and essential for signatures such as $HH \rightarrow b\bar{b}b\bar{b}$, was among the dominant contributors to these demands. This aspect was mitigated through the introduction of a fast b -tagging preselection, which runs after calorimeter-based jet finding and before the much more expensive full-event track reconstruction. By restricting tracking to limited regions of interest surrounding energetic jets, this preselection serves as a crude and fast veto. This veto reduces CPU load from multi- b signatures and brings the total resource use safely within the computing farm’s budget. Thanks to this development, ATLAS is able to save $HH \rightarrow b\bar{b}b\bar{b}$ events at a higher rate than ever before.

The method outlined in this paper has tremendous potential for application at the HL-LHC, where projections have shown that raised jet p_T thresholds substantially lower the experiment’s sensitivity to $HH \rightarrow b\bar{b}b\bar{b}$. With more challenging pile-up conditions, tracking will become even more difficult to execute. New approaches such as the one presented here, which ensure high physics acceptance rates while optimising resource use, are imperative for attaining the ambitious physics goals of the ATLAS experiment.

Acknowledgements

We thank CERN for the very successful operation of the LHC, as well as the support staff from our institutions without whom ATLAS could not be operated efficiently.

We acknowledge the support of ANPCyT, Argentina; YerPhI, Armenia; ARC, Australia; BMFWF and FWF, Austria; ANAS, Azerbaijan; CNPq and FAPESP, Brazil; NSERC, NRC and CFI, Canada; CERN; ANID, Chile; CAS, MOST and NSFC, China; Minciencias, Colombia; MEYS CR, Czech Republic; DNRF and DNSRC, Denmark; IN2P3-CNRS and CEA-DRF/IRFU, France; SRNSFG, Georgia; BMBF, HGF and MPG, Germany; GSRI, Greece; RGC and Hong Kong SAR, China; ISF and Benoziyo Center, Israel; INFN, Italy; MEXT and JSPS, Japan; CNRST, Morocco; NWO, Netherlands; RCN, Norway; MEiN, Poland; FCT, Portugal; MNE/IFA, Romania; MESTD, Serbia; MSSR, Slovakia; ARRS and MIZŠ, Slovenia; DSI/NRF, South Africa; MICINN, Spain; SRC and Wallenberg Foundation, Sweden; SERI, SNSF and Cantons of

Bern and Geneva, Switzerland; MOST, Taiwan; TENMAK, Türkiye; STFC, United Kingdom; DOE and NSF, United States of America. In addition, individual groups and members have received support from BCKDF, CANARIE, Compute Canada and CRC, Canada; PRIMUS 21/SCI/017 and UNCE SCI/013, Czech Republic; COST, ERC, ERDF, Horizon 2020 and Marie Skłodowska-Curie Actions, European Union; Investissements d’Avenir Labex, Investissements d’Avenir Idex and ANR, France; DFG and AvH Foundation, Germany; Herakleitos, Thales and Aristeia programmes co-financed by EU-ESF and the Greek NSRF, Greece; BSF-NSF and MINERVA, Israel; Norwegian Financial Mechanism 2014-2021, Norway; NCN and NAWA, Poland; La Caixa Banking Foundation, CERCA Programme Generalitat de Catalunya and PROMETEO and GenT Programmes Generalitat Valenciana, Spain; Göran Gustafssons Stiftelse, Sweden; The Royal Society and Leverhulme Trust, United Kingdom.

The crucial computing support from all WLCG partners is acknowledged gratefully, in particular from CERN, the ATLAS Tier-1 facilities at TRIUMF (Canada), NDGF (Denmark, Norway, Sweden), CC-IN2P3 (France), KIT/GridKA (Germany), INFN-CNAF (Italy), NL-T1 (Netherlands), PIC (Spain), ASGC (Taiwan), RAL (UK) and BNL (USA), the Tier-2 facilities worldwide and large non-WLCG resource providers. Major contributors of computing resources are listed in Ref. [48].

References

- [1] ATLAS Collaboration, *Measurements of Higgs Bosons Decaying to Bottom Quarks from Vector Boson Fusion Production with the ATLAS Experiment at $\sqrt{s} = 13$ TeV*, *Eur. Phys. J. C* **81** (2020) 537, arXiv: 2011.08280 [hep-ex].
- [2] ATLAS Collaboration, *Search for Higgs boson production in association with a high-energy photon via vector-boson fusion with decay into bottom quark pairs at $\sqrt{s} = 13$ TeV with the ATLAS detector*, *JHEP* **03** (2021) 268, arXiv: 2010.13651 [hep-ex].
- [3] ATLAS Collaboration, *Search for resonant pair production of Higgs bosons in the $b\bar{b}b\bar{b}$ final state using pp collisions at $\sqrt{s} = 13$ TeV with the ATLAS detector*, *Phys. Rev. D* **105** (2022) 092002, arXiv: 2202.07288 [hep-ex].
- [4] ATLAS Collaboration, *Constraints on spin-0 dark matter mediators and invisible Higgs decays using ATLAS 13 TeV pp collision data with two top quarks and missing transverse momentum in the final state*, (2022), arXiv: 2211.05426 [hep-ex].
- [5] ATLAS Collaboration, *A detailed map of Higgs boson interactions by the ATLAS experiment ten years after the discovery*, *Nature* **607** (2022) 52, arXiv: 2207.00092 [hep-ex].
- [6] CMS Collaboration, *A portrait of the Higgs boson by the CMS experiment ten years after the discovery*, *Nature* **607** (2022) 60, arXiv: 2207.00043 [hep-ex].
- [7] A. Dainese et al., *Report on the Physics at the HL-LHC, and Perspectives for the HE-LHC*, Geneva, Switzerland, 2019, URL: <https://cds.cern.ch/record/2703572>.
- [8] ATLAS Collaboration, *HL-LHC prospects for the measurement of Higgs boson pair production in the $b\bar{b}b\bar{b}$ final state and combination with the $b\bar{b}\gamma\gamma$ and $b\bar{b}\tau^+\tau^-$ final states at the ATLAS experiment*, ATL-PHYS-PUB-2022-053, 2022, URL: <https://cds.cern.ch/record/2841244>.

- [9] Particle Data Group, P. Zyla et al., *Review of Particle Physics*, [PTEP **2020** \(2020\) 083C01](#).
- [10] ATLAS Collaboration, *Trigger monitoring and rate predictions using Enhanced Bias data from the ATLAS Detector at the LHC*, ATL-DAQ-PUB-2016-002, 2016,
URL: <https://cds.cern.ch/record/2223498>.
- [11] ATLAS Collaboration, *The Run-3 ATLAS Trigger System*, Paper in preparation.
- [12] ATLAS Collaboration, *The ATLAS Experiment at the CERN Large Hadron Collider: A Description of the Detector Configuration for Run 3*, (2023), arXiv: [2305.16623 \[physics.ins-det\]](#).
- [13] ATLAS Collaboration, *The ATLAS Experiment at the CERN Large Hadron Collider*, [JINST **3** \(2008\) S08003](#).
- [14] ATLAS Collaboration, *ATLAS Insertable B-Layer Technical Design Report*, ATLAS-TDR-19; CERN-LHCC-2010-013, 2010,
URL: <https://cds.cern.ch/record/1291633>, Addendum: ATLAS-TDR-19-ADD-1; CERN-LHCC-2012-009, 2012, URL: <https://cds.cern.ch/record/1451888>.
- [15] B. Abbott et al., *Production and integration of the ATLAS Insertable B-Layer*, [JINST **13** \(2018\) T05008](#), arXiv: [1803.00844 \[physics.ins-det\]](#).
- [16] ATLAS Collaboration, *Performance of the ATLAS trigger system in 2015*, [Eur. Phys. J. C **77** \(2017\) 317](#), arXiv: [1611.09661 \[hep-ex\]](#).
- [17] M. Michelotto et al.,
A comparison of HEP code with SPEC benchmarks on multi-core worker nodes, [J. Phys. Conf. Ser. **219** \(2010\) 052009](#), ed. by J. Gruntorad and M. Lokajicek.
- [18] ATLAS Collaboration, *The ATLAS Collaboration Software and Firmware*, ATL-SOFT-PUB-2021-001, 2021, URL: <https://cds.cern.ch/record/2767187>.
- [19] ATLAS Collaboration,
The ATLAS Inner Detector Trigger performance in pp collisions at 13 TeV during LHC Run 2, [Eur. Phys. J. C **82** \(2021\) 206](#), arXiv: [2107.02485 \[hep-ex\]](#).
- [20] ATLAS Collaboration, *Performance of the ATLAS Level-1 topological trigger in Run 2*, [Eur. Phys. J. C **82** \(2021\) 7](#), arXiv: [2105.01416 \[hep-ex\]](#).
- [21] ATLAS Collaboration,
Jet reconstruction and performance using particle flow with the ATLAS Detector, [Eur. Phys. J. C **77** \(2017\) 466](#), arXiv: [1703.10485 \[hep-ex\]](#).
- [22] M. Cacciari, G. P. Salam and G. Soyez, *The anti- k_t jet clustering algorithm*, [JHEP **04** \(2008\) 063](#), arXiv: [0802.1189 \[hep-ph\]](#).
- [23] ATLAS Collaboration,
Topological cell clustering in the ATLAS calorimeters and its performance in LHC Run 1, [Eur. Phys. J. C **77** \(2017\) 490](#), arXiv: [1603.02934 \[hep-ex\]](#).
- [24] ATLAS Collaboration, *Jet energy scale and resolution measured in proton–proton collisions at $\sqrt{s} = 13$ TeV with the ATLAS detector*, [Eur. Phys. J. C **81** \(2020\) 689](#), arXiv: [2007.02645 \[hep-ex\]](#).
- [25] ATLAS Collaboration, *Configuration and performance of the ATLAS b-jet triggers in Run 2*, [Eur. Phys. J. C **81** \(2021\) 1087](#), arXiv: [2106.03584 \[hep-ex\]](#).
- [26] ATLAS Collaboration, *ATLAS flavour-tagging algorithms for the LHC Run 2 pp collision dataset*, (2022), arXiv: [2211.16345 \[physics.data-an\]](#).

- [27] M. Zaheer et al., *Deep Sets*, ed. by I. Guyon et al., 2017, URL: https://proceedings.neurips.cc/paper_files/paper/2017/file/f22e4747da1aa27e363d86d40ff442fe-Paper.pdf.
- [28] ATLAS Collaboration, *Deep Sets based Neural Networks for Impact Parameter Flavour Tagging in ATLAS*, ATL-PHYS-PUB-2020-014, 2020, URL: <https://cds.cern.ch/record/2718948>.
- [29] TensorFlow Developers, *TensorFlow*, 2022, URL: <https://doi.org/10.5281/zenodo.4724125>.
- [30] D. H. Guest et al., *lwtmn/lwtmn: Version 2.12.1*, version v2.12.1, 2021, URL: <https://doi.org/10.5281/zenodo.5082190>.
- [31] ATLAS Collaboration, *Fast b-tagging Neural Network Configuration*, <https://atlas-groupdata.web.cern.ch/atlas-groupdata/BTagging/20220211trig/fastDips/antikt4empflow/network.json>, (visited on 14/12/2022).
- [32] S. Frixione, G. Ridolfi and P. Nason, *A positive-weight next-to-leading-order Monte Carlo for heavy flavour hadroproduction*, *JHEP* **09** (2007) 126, arXiv: [0707.3088](https://arxiv.org/abs/hep-ph/0707.3088) [[hep-ph](#)].
- [33] P. Nason, *A new method for combining NLO QCD with shower Monte Carlo algorithms*, *JHEP* **11** (2004) 040, arXiv: [hep-ph/0409146](https://arxiv.org/abs/hep-ph/0409146).
- [34] S. Frixione, P. Nason and C. Oleari, *Matching NLO QCD computations with parton shower simulations: the POWHEG method*, *JHEP* **11** (2007) 070, arXiv: [0709.2092](https://arxiv.org/abs/hep-ph/0709.2092) [[hep-ph](#)].
- [35] S. Alioli, P. Nason, C. Oleari and E. Re, *A general framework for implementing NLO calculations in shower Monte Carlo programs: the POWHEG BOX*, *JHEP* **06** (2010) 043, arXiv: [1002.2581](https://arxiv.org/abs/hep-ph/1002.2581) [[hep-ph](#)].
- [36] T. Sjöstrand et al., *An introduction to PYTHIA 8.2*, *Comput. Phys. Commun.* **191** (2015) 159, arXiv: [1410.3012](https://arxiv.org/abs/hep-ph/1410.3012) [[hep-ph](#)].
- [37] ATLAS Collaboration, *ATLAS Pythia 8 tunes to 7 TeV data*, ATL-PHYS-PUB-2014-021, 2014, URL: <https://cds.cern.ch/record/1966419>.
- [38] NNPDF Collaboration, R. D. Ball et al., *Parton distributions with LHC data*, *Nucl. Phys. B* **867** (2013) 244, arXiv: [1207.1303](https://arxiv.org/abs/hep-ph/1207.1303) [[hep-ph](#)].
- [39] D. J. Lange, *The EvtGen particle decay simulation package*, *Nucl. Instrum. Meth. A* **462** (2001) 152.
- [40] ATLAS Collaboration, *Monte Carlo to Monte Carlo scale factors for flavour tagging efficiency calibration*, ATL-PHYS-PUB-2020-009, 2020, URL: <https://cds.cern.ch/record/2718610>.
- [41] ATLAS Collaboration, *The Pythia 8 A3 tune description of ATLAS minimum bias and inelastic measurements incorporating the Donnachie–Landshoff diffractive model*, ATL-PHYS-PUB-2016-017, 2016, URL: <https://cds.cern.ch/record/2206965>.
- [42] ATLAS Collaboration, *The ATLAS Simulation Infrastructure*, *Eur. Phys. J. C* **70** (2010) 823, arXiv: [1005.4568](https://arxiv.org/abs/hep-ph/1005.4568) [[physics.ins-det](#)].
- [43] S. Agostinelli et al., *GEANT4 – a simulation toolkit*, *Nucl. Instrum. Meth. A* **506** (2003) 250.

- [44] ATLAS Collaboration, *Electron and photon performance measurements with the ATLAS detector using the 2015–2017 LHC proton–proton collision data*, *JINST* **14** (2019) P12006, arXiv: [1908.00005](https://arxiv.org/abs/1908.00005) [[hep-ex](#)].
- [45] ATLAS Collaboration, *Performance of pile-up mitigation techniques for jets in pp collisions at $\sqrt{s} = 8$ TeV using the ATLAS detector*, *Eur. Phys. J. C* **76** (2016) 581, arXiv: [1510.03823](https://arxiv.org/abs/1510.03823) [[hep-ex](#)].
- [46] ATLAS Collaboration, *ATLAS TDAQ Phase-II Upgrade: Technical Design Report*, ATLAS-TDR-029; CERN-LHCC-2017-020, 2017, URL: <https://cds.cern.ch/record/2285584>.
- [47] ATLAS Collaboration, *ATLAS b-jet identification performance and efficiency measurement with $t\bar{t}$ events in pp collisions at $\sqrt{s} = 13$ TeV*, *Eur. Phys. J. C* **79** (2019) 970, arXiv: [1907.05120](https://arxiv.org/abs/1907.05120) [[hep-ex](#)].
- [48] ATLAS Collaboration, *ATLAS Computing Acknowledgements*, ATL-SOFT-PUB-2021-003, 2021, URL: <https://cds.cern.ch/record/2776662>.

The ATLAS Collaboration

G. Aad ¹⁰², B. Abbott ¹²⁰, K. Abeling ⁵⁵, N.J. Abicht ⁴⁹, S.H. Abidi ²⁹, A. Aboulhorma ^{35e}, H. Abramowicz ¹⁵¹, H. Abreu ¹⁵⁰, Y. Abulaiti ¹¹⁷, A.C. Abusleme Hoffman ^{137a}, B.S. Acharya ^{69a,69b,r}, C. Adam Bourdarios ⁴, L. Adamczyk ^{86a}, L. Adamek ¹⁵⁵, S.V. Addepalli ²⁶, M.J. Addison ¹⁰¹, J. Adelman ¹¹⁵, A. Adiguzel ^{21c}, T. Adye ¹³⁴, A.A. Affolder ¹³⁶, Y. Afik ³⁶, M.N. Agaras ¹³, J. Agarwala ^{73a,73b}, A. Aggarwal ¹⁰⁰, C. Agheorghiesei ^{27c}, A. Ahmad ³⁶, F. Ahmadov ^{38,ai}, W.S. Ahmed ¹⁰⁴, S. Ahuja ⁹⁵, X. Ai ^{62a}, G. Aielli ^{76a,76b}, A. Aikot ¹⁶³, M. Ait Tamlihat ^{35e}, B. Aitbenkikh ^{35a}, I. Aizenberg ¹⁶⁹, M. Akbiyik ¹⁰⁰, T.P.A. Åkesson ⁹⁸, A.V. Akimov ³⁷, D. Akiyama ¹⁶⁸, N.N. Akolkar ²⁴, K. Al Khoury ⁴¹, G.L. Alberghi ^{23b}, J. Albert ¹⁶⁵, P. Albicocco ⁵³, G.L. Albouy ⁶⁰, S. Alderweireldt ⁵², M. Aleksa ³⁶, I.N. Aleksandrov ³⁸, C. Alexa ^{27b}, T. Alexopoulos ¹⁰, F. Alfonsi ^{23b}, M. Algren ⁵⁶, M. Alhroob ¹²⁰, B. Ali ¹³², H.M.J. Ali ⁹¹, S. Ali ¹⁴⁸, S.W. Alibocus ⁹², M. Aliev ¹⁴⁵, G. Alimonti ^{71a}, W. Alkakh ⁵⁵, C. Allaire ⁶⁶, B.M.M. Allbrooke ¹⁴⁶, J.F. Allen ⁵², C.A. Allendes Flores ^{137f}, P.P. Allport ²⁰, A. Aloisio ^{72a,72b}, F. Alonso ⁹⁰, C. Alpigiani ¹³⁸, M. Alvarez Estevez ⁹⁹, A. Alvarez Fernandez ¹⁰⁰, M. Alves Cardoso ⁵⁶, M.G. Alviggi ^{72a,72b}, M. Aly ¹⁰¹, Y. Amaral Coutinho ^{83b}, A. Ambler ¹⁰⁴, C. Amelung ³⁶, M. Amerl ¹⁰¹, C.G. Ames ¹⁰⁹, D. Amidei ¹⁰⁶, S.P. Amor Dos Santos ^{130a}, K.R. Amos ¹⁶³, V. Ananiev ¹²⁵, C. Anastopoulos ¹³⁹, T. Andeen ¹¹, J.K. Anders ³⁶, S.Y. Andreato ^{47a,47b}, A. Andreatza ^{71a,71b}, S. Angelidakis ⁹, A. Angerami ^{41,am}, A.V. Anisenkov ³⁷, A. Annovi ^{74a}, C. Antel ⁵⁶, M.T. Anthony ¹³⁹, E. Antipov ¹⁴⁵, M. Antonelli ⁵³, F. Anulli ^{75a}, M. Aoki ⁸⁴, T. Aoki ¹⁵³, J.A. Aparisi Pozo ¹⁶³, M.A. Aparo ¹⁴⁶, L. Aperio Bella ⁴⁸, C. Appelt ¹⁸, A. Apyan ²⁶, N. Aranzabal ³⁶, C. Arcangeletti ⁵³, A.T.H. Arce ⁵¹, E. Arena ⁹², J-F. Arguin ¹⁰⁸, S. Argyropoulos ⁵⁴, J.-H. Arling ⁴⁸, O. Arnaez ⁴, H. Arnold ¹¹⁴, G. Artoni ^{75a,75b}, H. Asada ¹¹¹, K. Asai ¹¹⁸, S. Asai ¹⁵³, N.A. Asbah ⁶¹, J. Assahsah ^{35d}, K. Assamagan ²⁹, R. Astalos ^{28a}, S. Atashi ¹⁶⁰, R.J. Atkin ^{33a}, M. Atkinson ¹⁶², H. Atmani ^{35f}, P.A. Atlasiddha ¹⁰⁶, K. Augsten ¹³², S. Auricchio ^{72a,72b}, A.D. Auriol ²⁰, V.A. Austrup ¹⁰¹, G. Avolio ³⁶, K. Axiotis ⁵⁶, G. Azuelos ^{108,au}, D. Babal ^{28b}, H. Bachacou ¹³⁵, K. Bachas ^{152,x}, A. Bachiu ³⁴, F. Backman ^{47a,47b}, A. Badea ⁶¹, P. Bagnaia ^{75a,75b}, M. Bahmani ¹⁸, A.J. Bailey ¹⁶³, V.R. Bailey ¹⁶², J.T. Baines ¹³⁴, L. Baines ⁹⁴, C. Bakalis ¹⁰, O.K. Baker ¹⁷², E. Bakos ¹⁵, D. Bakshi Gupta ⁸, V. Balakrishnan ¹²⁰, R. Balasubramanian ¹¹⁴, E.M. Baldin ³⁷, P. Balek ^{86a}, E. Ballabene ^{23b,23a}, F. Balli ¹³⁵, L.M. Baltos ^{63a}, W.K. Balunas ³², J. Balz ¹⁰⁰, E. Banas ⁸⁷, M. Bandieramonte ¹²⁹, A. Bandyopadhyay ²⁴, S. Bansal ²⁴, L. Barak ¹⁵¹, M. Barakat ⁴⁸, E.L. Barberio ¹⁰⁵, D. Barberis ^{57b,57a}, M. Barbero ¹⁰², M.Z. Barel ¹¹⁴, K.N. Barends ^{33a}, T. Barillari ¹¹⁰, M-S. Barisits ³⁶, T. Barklow ¹⁴³, P. Baron ¹²², D.A. Baron Moreno ¹⁰¹, A. Baroncelli ^{62a}, G. Barone ²⁹, A.J. Barr ¹²⁶, J.D. Barr ⁹⁶, L. Barranco Navarro ^{47a,47b}, F. Barreiro ⁹⁹, J. Barreiro Guimarães da Costa ^{14a}, U. Barron ¹⁵¹, M.G. Barros Teixeira ^{130a}, S. Barsov ³⁷, F. Bartels ^{63a}, R. Bartoldus ¹⁴³, A.E. Barton ⁹¹, P. Bartos ^{28a}, A. Basan ¹⁰⁰, M. Baselga ⁴⁹, A. Bassalat ^{66,b}, M.J. Basso ^{156a}, C.R. Basson ¹⁰¹, R.L. Bates ⁵⁹, S. Batlamous ^{35e}, J.R. Batley ³², B. Batool ¹⁴¹, M. Battaglia ¹³⁶, D. Battulga ¹⁸, M. Bauce ^{75a,75b}, M. Bauer ³⁶, P. Bauer ²⁴, L.T. Bazzano Hurrell ³⁰, J.B. Beacham ⁵¹, T. Beau ¹²⁷, P.H. Beauchemin ¹⁵⁸, F. Becherer ⁵⁴, P. Bechtel ²⁴, H.P. Beck ^{19,v}, K. Becker ¹⁶⁷, A.J. Beddall ⁸², V.A. Bednyakov ³⁸, C.P. Bee ¹⁴⁵, L.J. Beamster ¹⁵, T.A. Beermann ³⁶, M. Begalli ^{83d}, M. Begel ²⁹, A. Behera ¹⁴⁵, J.K. Behr ⁴⁸, J.F. Beirer ⁵⁵, F. Beisiegel ²⁴, M. Belfkir ¹⁵⁹, G. Bella ¹⁵¹, L. Bellagamba ^{23b}, A. Bellerive ³⁴, P. Bellos ²⁰, K. Beloborodov ³⁷, N.L. Belyaev ³⁷, D. Benchebkroun ^{35a}, F. Bendebba ^{35a}, Y. Benhammou ¹⁵¹, M. Benoit ²⁹, J.R. Bensinger ²⁶, S. Bentvelsen ¹¹⁴,

L. Beresford ⁴⁸, M. Beretta ⁵³, E. Bergeaas Kuutmann ¹⁶¹, N. Berger ⁴, B. Bergmann ¹³²,
 J. Beringer ^{17a}, G. Bernardi ⁵, C. Bernius ¹⁴³, F.U. Bernlochner ²⁴, F. Bernon ^{36,102}, T. Berry ⁹⁵,
 P. Berta ¹³³, A. Berthold ⁵⁰, I.A. Bertram ⁹¹, S. Bethke ¹¹⁰, A. Betti ^{75a,75b}, A.J. Bevan ⁹⁴,
 M. Bhamjee ^{33c}, S. Bhatta ¹⁴⁵, D.S. Bhattacharya ¹⁶⁶, P. Bhattacharai ¹⁴³, V.S. Bhopatkar ¹²¹,
 R. Bi ^{29,aw}, R.M. Bianchi ¹²⁹, G. Bianco ^{23b,23a}, O. Biebel ¹⁰⁹, R. Bielski ¹²³, M. Biglietti ^{77a},
 T.R.V. Billoud ¹³², M. Bindi ⁵⁵, A. Bingul ^{21b}, C. Bini ^{75a,75b}, A. Biondini ⁹²,
 C.J. Birch-sykes ¹⁰¹, G.A. Bird ^{20,134}, M. Birman ¹⁶⁹, M. Biros ¹³³, S. Biryukov ¹⁴⁶,
 T. Bisanz ⁴⁹, E. Bisceglie ^{43b,43a}, J.P. Biswal ¹³⁴, D. Biswas ¹⁴¹, A. Bitadze ¹⁰¹, K. Bjørke ¹²⁵,
 I. Bloch ⁴⁸, C. Blocker ²⁶, A. Blue ⁵⁹, U. Blumenschein ⁹⁴, J. Blumenthal ¹⁰⁰, G.J. Bobbink ¹¹⁴,
 V.S. Bobrovnikov ³⁷, M. Boehler ⁵⁴, B. Boehm ¹⁶⁶, D. Bogavac ³⁶, A.G. Bogdanchikov ³⁷,
 C. Bohm ^{47a}, V. Boisvert ⁹⁵, P. Bokan ⁴⁸, T. Bold ^{86a}, M. Bomben ⁵, M. Bona ⁹⁴,
 M. Boonekamp ¹³⁵, C.D. Booth ⁹⁵, A.G. Borbély ^{59,ar}, I.S. Bordulev ³⁷,
 H.M. Borecka-Bielska ¹⁰⁸, L.S. Borgna ⁹⁶, G. Borissov ⁹¹, D. Bortoletto ¹²⁶, D. Boscherini ^{23b},
 M. Bosman ¹³, J.D. Bossio Sola ³⁶, K. Bouaouda ^{35a}, N. Bouchhar ¹⁶³, J. Boudreau ¹²⁹,
 E.V. Bouhova-Thacker ⁹¹, D. Boumediene ⁴⁰, R. Bouquet ⁵, A. Boveia ¹¹⁹, J. Boyd ³⁶,
 D. Boye ²⁹, I.R. Boyko ³⁸, J. Bracik ²⁰, N. Brahimi ^{62d}, G. Brandt ¹⁷¹, O. Brandt ³²,
 F. Braren ⁴⁸, B. Brau ¹⁰³, J.E. Brau ¹²³, R. Brenner ¹⁶⁹, L. Brenner ¹¹⁴, R. Brenner ¹⁶¹,
 S. Bressler ¹⁶⁹, D. Britton ⁵⁹, D. Britzger ¹¹⁰, I. Brock ²⁴, G. Brooijmans ⁴¹, W.K. Brooks ^{137f},
 E. Brost ²⁹, L.M. Brown ^{165,o}, L.E. Bruce ⁶¹, T.L. Bruckler ¹²⁶, P.A. Bruckman de Renstrom ⁸⁷,
 B. Brüers ⁴⁸, A. Bruni ^{23b}, G. Bruni ^{23b}, M. Bruschi ^{23b}, N. Bruscinò ^{75a,75b}, T. Buanes ¹⁶,
 Q. Buat ¹³⁸, D. Buchin ¹¹⁰, A.G. Buckley ⁵⁹, O. Bulekov ³⁷, B.A. Bullard ¹⁴³, S. Burdin ⁹²,
 C.D. Burgard ⁴⁹, A.M. Burger ⁴⁰, B. Burghgrave ⁸, O. Burlayenko ⁵⁴, J.T.P. Burr ³²,
 C.D. Burton ¹¹, J.C. Burzynski ¹⁴², E.L. Busch ⁴¹, V. Büscher ¹⁰⁰, P.J. Bussey ⁵⁹,
 J.M. Butler ²⁵, C.M. Buttar ⁵⁹, J.M. Butterworth ⁹⁶, W. Buttinger ¹³⁴, C.J. Buxo Vazquez ¹⁰⁷,
 A.R. Buzykaev ³⁷, S. Cabrera Urbán ¹⁶³, L. Cadamuro ⁶⁶, D. Caforio ⁵⁸, H. Cai ¹²⁹,
 Y. Cai ^{14a,14e}, V.M.M. Cairo ³⁶, O. Cakir ^{3a}, N. Calace ³⁶, P. Calafiura ^{17a}, G. Calderini ¹²⁷,
 P. Calfayan ⁶⁸, G. Callea ⁵⁹, L.P. Caloba ^{83b}, D. Calvet ⁴⁰, S. Calvet ⁴⁰, T.P. Calvet ¹⁰²,
 M. Calvetti ^{74a,74b}, R. Camacho Toro ¹²⁷, S. Camarda ³⁶, D. Camarero Munoz ²⁶,
 P. Camarri ^{76a,76b}, M.T. Camerlingo ^{72a,72b}, D. Cameron ^{36,h}, C. Camincher ¹⁶⁵,
 M. Campanelli ⁹⁶, A. Camplani ⁴², V. Canale ^{72a,72b}, A. Canesse ¹⁰⁴, J. Cantero ¹⁶³, Y. Cao ¹⁶²,
 F. Capocasa ²⁶, M. Capua ^{43b,43a}, A. Carbone ^{71a,71b}, R. Cardarelli ^{76a}, J.C.J. Cardenas ⁸,
 F. Cardillo ¹⁶³, T. Carli ³⁶, G. Carlino ^{72a}, J.I. Carlotta ¹³, B.T. Carlson ^{129,y},
 E.M. Carlson ^{165,156a}, L. Carminati ^{71a,71b}, A. Carnelli ¹³⁵, M. Carnesale ^{75a,75b}, S. Caron ¹¹³,
 E. Carquin ^{137f}, S. Carrá ^{71a,71b}, G. Carratta ^{23b,23a}, F. Carri Argos ^{33g}, J.W.S. Carter ¹⁵⁵,
 T.M. Carter ⁵², M.P. Casado ^{13,k}, M. Caspar ⁴⁸, E.G. Castiglia ¹⁷², F.L. Castillo ⁴,
 L. Castillo Garcia ¹³, V. Castillo Gimenez ¹⁶³, N.F. Castro ^{130a,130e}, A. Catinaccio ³⁶,
 J.R. Catmore ¹²⁵, V. Cavaliere ²⁹, N. Cavalli ^{23b,23a}, V. Cavasinni ^{74a,74b}, Y.C. Cekmecelioglu ⁴⁸,
 E. Celebi ^{21a}, F. Celli ¹²⁶, M.S. Centonze ^{70a,70b}, V. Cepaitis ⁵⁶, K. Cerny ¹²²,
 A.S. Cerqueira ^{83a}, A. Cerri ¹⁴⁶, L. Cerrito ^{76a,76b}, F. Cerutti ^{17a}, B. Cervato ¹⁴¹, A. Cervelli ^{23b},
 G. Cesarini ⁵³, S.A. Cetin ⁸², Z. Chadi ^{35a}, D. Chakraborty ¹¹⁵, J. Chan ¹⁷⁰, W.Y. Chan ¹⁵³,
 J.D. Chapman ³², E. Chapon ¹³⁵, B. Chargeishvili ^{149b}, D.G. Charlton ²⁰, T.P. Charman ⁹⁴,
 M. Chatterjee ¹⁹, C. Chauhan ¹³³, S. Chekanov ⁶, S.V. Chekulaev ^{156a}, G.A. Chelkov ^{38,a},
 A. Chen ¹⁰⁶, B. Chen ¹⁵¹, B. Chen ¹⁶⁵, H. Chen ^{14c}, H. Chen ²⁹, J. Chen ^{62c}, J. Chen ¹⁴²,
 M. Chen ¹²⁶, S. Chen ¹⁵³, S.J. Chen ^{14c}, X. Chen ^{62c,135}, X. Chen ^{14b,at}, Y. Chen ^{62a},
 C.L. Cheng ¹⁷⁰, H.C. Cheng ^{64a}, S. Cheong ¹⁴³, A. Cheplakov ³⁸, E. Cheremushkina ⁴⁸,
 E. Cherepanova ¹¹⁴, R. Cherkaoui El Moursli ^{35e}, E. Cheu ⁷, K. Cheung ⁶⁵, L. Chevalier ¹³⁵,
 V. Chiarella ⁵³, G. Chiarelli ^{74a}, N. Chiedde ¹⁰², G. Chiodini ^{70a}, A.S. Chisholm ²⁰,

A. Chitan ^{27b}, M. Chitishvili ¹⁶³, M.V. Chizhov ³⁸, K. Choi ¹¹, A.R. Chomont ^{75a,75b},
 Y. Chou ¹⁰³, E.Y.S. Chow ¹¹⁴, T. Chowdhury ^{33g}, K.L. Chu ¹⁶⁹, M.C. Chu ^{64a}, X. Chu ^{14a,14e},
 J. Chudoba ¹³¹, J.J. Chwastowski ⁸⁷, D. Cieri ¹¹⁰, K.M. Ciesla ^{86a}, V. Cindro ⁹³, A. Ciocio ^{17a},
 F. Cirotto ^{72a,72b}, Z.H. Citron ^{169,p}, M. Citterio ^{71a}, D.A. Ciubotaru ^{27b}, B.M. Ciungu ¹⁵⁵,
 A. Clark ⁵⁶, P.J. Clark ⁵², J.M. Clavijo Columbie ⁴⁸, S.E. Clawson ⁴⁸, C. Clement ^{47a,47b},
 J. Clercx ⁴⁸, L. Clissa ^{23b,23a}, Y. Coadou ¹⁰², M. Cobal ^{69a,69c}, A. Coccaro ^{57b},
 R.F. Coelho Barrue ^{130a}, R. Coelho Lopes De Sa ¹⁰³, S. Coelli ^{71a}, H. Cohen ¹⁵¹,
 A.E.C. Coimbra ^{71a,71b}, B. Cole ⁴¹, J. Collot ⁶⁰, P. Conde Muiño ^{130a,130g}, M.P. Connell ^{33c},
 S.H. Connell ^{33c}, I.A. Connelly ⁵⁹, E.I. Conroy ¹²⁶, F. Conventi ^{72a,av}, H.G. Cooke ²⁰,
 A.M. Cooper-Sarkar ¹²⁶, A. Cordeiro Oudot Choi ¹²⁷, F. Cormier ¹⁶⁴, L.D. Corpe ⁴⁰,
 M. Corradi ^{75a,75b}, F. Corriveau ^{104,ag}, A. Cortes-Gonzalez ¹⁸, M.J. Costa ¹⁶³, F. Costanza ⁴,
 D. Costanzo ¹³⁹, B.M. Cote ¹¹⁹, G. Cowan ⁹⁵, K. Cranmer ¹⁷⁰, D. Cremonini ^{23b,23a},
 S. Crépe-Renaudin ⁶⁰, F. Crescioli ¹²⁷, M. Cristinziani ¹⁴¹, M. Cristoforetti ^{78a,78b}, V. Croft ¹¹⁴,
 J.E. Crosby ¹²¹, G. Crosetti ^{43b,43a}, A. Cueto ⁹⁹, T. Cuhadar Donszelmann ¹⁶⁰, H. Cui ^{14a,14e},
 Z. Cui ⁷, W.R. Cunningham ⁵⁹, F. Curcio ^{43b,43a}, P. Czodrowski ³⁶, M.M. Czurylo ^{63b},
 M.J. Da Cunha Sargedas De Sousa ^{57b,57a}, J.V. Da Fonseca Pinto ^{83b}, C. Da Via ¹⁰¹,
 W. Dabrowski ^{86a}, T. Dado ⁴⁹, S. Dahbi ^{33g}, T. Dai ¹⁰⁶, D. Dal Santo ¹⁹, C. Dallapiccola ¹⁰³,
 M. Dam ⁴², G. D'amen ²⁹, V. D'Amico ¹⁰⁹, J. Damp ¹⁰⁰, J.R. Dandoy ¹²⁸, M.F. Daneri ³⁰,
 M. Danninger ¹⁴², V. Dao ³⁶, G. Darbo ^{57b}, S. Darmora ⁶, S.J. Das ^{29,aw}, S. D'Auria ^{71a,71b},
 C. David ^{156b}, T. Davidek ¹³³, B. Davis-Purcell ³⁴, I. Dawson ⁹⁴, H.A. Day-hall ¹³², K. De ⁸,
 R. De Asmundis ^{72a}, N. De Biase ⁴⁸, S. De Castro ^{23b,23a}, N. De Groot ¹¹³, P. de Jong ¹¹⁴,
 H. De la Torre ¹¹⁵, A. De Maria ^{14c}, A. De Salvo ^{75a}, U. De Sanctis ^{76a,76b}, A. De Santo ¹⁴⁶,
 J.B. De Vivie De Regie ⁶⁰, D.V. Dedovich ³⁸, J. Degens ¹¹⁴, A.M. Deiana ⁴⁴, F. Del Corso ^{23b,23a},
 J. Del Peso ⁹⁹, F. Del Rio ^{63a}, F. Deliot ¹³⁵, C.M. Delitzsch ⁴⁹, M. Della Pietra ^{72a,72b},
 D. Della Volpe ⁵⁶, A. Dell'Acqua ³⁶, L. Dell'Asta ^{71a,71b}, M. Delmastro ⁴, P.A. Delsart ⁶⁰,
 S. Demers ¹⁷², M. Demichev ³⁸, S.P. Denisov ³⁷, L. D'Eramo ⁴⁰, D. Derendarz ⁸⁷, F. Derue ¹²⁷,
 P. Dervan ⁹², K. Desch ²⁴, C. Deutsch ²⁴, F.A. Di Bello ^{57b,57a}, A. Di Ciaccio ^{76a,76b},
 L. Di Ciaccio ⁴, A. Di Domenico ^{75a,75b}, C. Di Donato ^{72a,72b}, A. Di Girolamo ³⁶,
 G. Di Gregorio ⁵, A. Di Luca ^{78a,78b}, B. Di Micco ^{77a,77b}, R. Di Nardo ^{77a,77b}, C. Diaconu ¹⁰²,
 M. Diamantopoulou ³⁴, F.A. Dias ¹¹⁴, T. Dias Do Vale ¹⁴², M.A. Diaz ^{137a,137b},
 F.G. Diaz Capriles ²⁴, M. Didenko ¹⁶³, E.B. Diehl ¹⁰⁶, L. Diehl ⁵⁴, S. Díez Cornell ⁴⁸,
 C. Diez Pardos ¹⁴¹, C. Dimitriadi ^{161,24,161}, A. Dimitrievska ^{17a}, J. Dingfelder ²⁴, I-M. Dinu ^{27b},
 S.J. Dittmeier ^{63b}, F. Dittus ³⁶, F. Djama ¹⁰², T. Djobava ^{149b}, J.I. Djuvsland ¹⁶,
 C. Doglioni ^{101,98}, A. Dohnalova ^{28a}, J. Dolejsi ¹³³, Z. Dolezal ¹³³, K.M. Dona ³⁹,
 M. Donadelli ^{83c}, B. Dong ¹⁰⁷, J. Donini ⁴⁰, A. D'Onofrio ^{77a,77b}, M. D'Onofrio ⁹²,
 J. Dopke ¹³⁴, A. Doria ^{72a}, N. Dos Santos Fernandes ^{130a}, P. Dougan ¹⁰¹, M.T. Dova ⁹⁰,
 A.T. Doyle ⁵⁹, M.A. Dragnet ¹²⁶, E. Dreyer ¹⁶⁹, I. Drivas-koulouris ¹⁰, A.S. Drobac ¹⁵⁸,
 M. Drozdova ⁵⁶, D. Du ^{62a}, T.A. du Pree ¹¹⁴, F. Dubinin ³⁷, M. Dubovsky ^{28a}, E. Duchovni ¹⁶⁹,
 G. Duckeck ¹⁰⁹, O.A. Ducu ^{27b}, D. Duda ⁵², A. Dudarev ³⁶, E.R. Duden ²⁶, M. D'uffizi ¹⁰¹,
 L. Duflot ⁶⁶, M. Dührssen ³⁶, C. Dülßen ¹⁷¹, A.E. Dumitriu ^{27b}, M. Dunford ^{63a}, S. Dungs ⁴⁹,
 K. Dunne ^{47a,47b}, A. Duperrin ¹⁰², H. Duran Yildiz ^{3a}, M. Düren ⁵⁸, A. Durglishvili ^{149b},
 B.L. Dwyer ¹¹⁵, G.I. Dyckes ^{17a}, M. Dyndal ^{86a}, S. Dysch ¹⁰¹, B.S. Dziedzic ⁸⁷,
 Z.O. Earnshaw ¹⁴⁶, G.H. Eberwein ¹²⁶, B. Eckerova ^{28a}, S. Eggebrecht ⁵⁵,
 E. Egidio Purcino De Souza ¹²⁷, L.F. Ehrke ⁵⁶, G. Eigen ¹⁶, K. Einsweiler ^{17a}, T. Ekelof ¹⁶¹,
 P.A. Ekman ⁹⁸, S. El Farkh ^{35b}, Y. El Ghazali ^{35b}, H. El Jarrari ^{35e,148}, A. El Moussaouy ^{35a},
 V. Ellajosyula ¹⁶¹, M. Ellert ¹⁶¹, F. Ellinghaus ¹⁷¹, A.A. Elliot ⁹⁴, N. Ellis ³⁶, J. Elmsheuser ²⁹,
 M. Elsing ³⁶, D. Emelianov ¹³⁴, Y. Enari ¹⁵³, I. Ene ^{17a}, S. Epari ¹³, J. Erdmann ⁴⁹,

P.A. Erland [ID87](#), M. Errenst [ID171](#), M. Escalier [ID66](#), C. Escobar [ID163](#), E. Etzion [ID151](#), G. Evans [ID130a](#),
 H. Evans [ID68](#), L.S. Evans [ID95](#), M.O. Evans [ID146](#), A. Ezhilov [ID37](#), S. Ezzarqtouni [ID35a](#), F. Fabbri [ID59](#),
 L. Fabbri [ID23b,23a](#), G. Facini [ID96](#), V. Fadeyev [ID136](#), R.M. Fakhruddinov [ID37](#), S. Falciano [ID75a](#),
 L.F. Falda Ulhoa Coelho [ID36](#), P.J. Falke [ID24](#), J. Faltova [ID133](#), C. Fan [ID162](#), Y. Fan [ID14a](#), Y. Fang [ID14a,14e](#),
 M. Fanti [ID71a,71b](#), M. Faraj [ID69a,69b](#), Z. Farazpay [ID97](#), A. Farbin [ID8](#), A. Farilla [ID77a](#), T. Farooque [ID107](#),
 S.M. Farrington [ID52](#), F. Fassi [ID35e](#), D. Fassouliotis [ID9](#), M. Faucci Giannelli [ID76a,76b](#), W.J. Fawcett [ID32](#),
 L. Fayard [ID66](#), P. Federic [ID133](#), P. Federicova [ID131](#), O.L. Fedin [ID37,a](#), G. Fedotov [ID37](#), M. Feickert [ID170](#),
 L. Feligioni [ID102](#), D.E. Fellers [ID123](#), C. Feng [ID62b](#), M. Feng [ID14b](#), Z. Feng [ID114](#), M.J. Fenton [ID160](#),
 A.B. Fenyuk [ID37](#), L. Ferencz [ID48](#), R.A.M. Ferguson [ID91](#), S.I. Fernandez Luengo [ID137f](#), M.J.V. Fernoux [ID102](#),
 J. Ferrando [ID48](#), A. Ferrari [ID161](#), P. Ferrari [ID114,113](#), R. Ferrari [ID73a](#), D. Ferrere [ID56](#), C. Ferretti [ID106](#),
 F. Fiedler [ID100](#), A. Filipčič [ID93](#), E.K. Filmer [ID1](#), F. Filthaut [ID113](#), M.C.N. Fiolhais [ID130a,130c,d](#),
 L. Fiorini [ID163](#), W.C. Fisher [ID107](#), T. Fitschen [ID101](#), P.M. Fitzhugh [ID135](#), I. Fleck [ID141](#), P. Fleischmann [ID106](#),
 T. Flick [ID171](#), M. Flores [ID33d,an](#), L.R. Flores Castillo [ID64a](#), L. Flores Sanz De Acedo [ID36](#),
 F.M. Follega [ID78a,78b](#), N. Fomin [ID16](#), J.H. Foo [ID155](#), B.C. Forland [ID68](#), A. Formica [ID135](#), A.C. Forti [ID101](#),
 E. Fortin [ID36](#), A.W. Fortman [ID61](#), M.G. Foti [ID17a](#), L. Fountas [ID9,1](#), D. Fournier [ID66](#), H. Fox [ID91](#),
 P. Francavilla [ID74a,74b](#), S. Francescato [ID61](#), S. Franchellucci [ID56](#), M. Franchini [ID23b,23a](#),
 S. Franchino [ID63a](#), D. Francis [ID36](#), L. Franco [ID113](#), L. Franconi [ID48](#), M. Franklin [ID61](#), G. Frattari [ID26](#),
 A.C. Freegard [ID94](#), W.S. Freund [ID83b](#), Y.Y. Frid [ID151](#), J. Friend [ID59](#), N. Fritzsche [ID50](#), A. Froch [ID54](#),
 D. Froidevaux [ID36](#), J.A. Frost [ID126](#), Y. Fu [ID62a](#), M. Fujimoto [ID118,ao](#), E. Fullana Torregrosa [ID163,*](#),
 K.Y. Fung [ID64a](#), E. Furtado De Simas Filho [ID83b](#), M. Furukawa [ID153](#), J. Fuster [ID163](#), A. Gabrielli [ID23b,23a](#),
 A. Gabrielli [ID155](#), P. Gadow [ID36](#), G. Gagliardi [ID57b,57a](#), L.G. Gagnon [ID17a](#), E.J. Gallas [ID126](#),
 B.J. Gallop [ID134](#), K.K. Gan [ID119](#), S. Ganguly [ID153](#), J. Gao [ID62a](#), Y. Gao [ID52](#), F.M. Garay Walls [ID137a,137b](#),
 B. Garcia [ID29,aw](#), C. García [ID163](#), A. Garcia Alonso [ID114](#), A.G. Garcia Caffaro [ID172](#),
 J.E. García Navarro [ID163](#), M. Garcia-Sciveres [ID17a](#), G.L. Gardner [ID128](#), R.W. Gardner [ID39](#),
 N. Garelli [ID158](#), D. Garg [ID80](#), R.B. Garg [ID143,u](#), J.M. Gargan [ID52](#), C.A. Garner [ID155](#), S.J. Gasiorowski [ID138](#),
 P. Gaspar [ID83b](#), G. Gaudio [ID73a](#), V. Gautam [ID13](#), P. Gauzzi [ID75a,75b](#), I.L. Gavrilenko [ID37](#), A. Gavrilyuk [ID37](#),
 C. Gay [ID164](#), G. Gaycken [ID48](#), E.N. Gazis [ID10](#), A.A. Geanta [ID27b](#), C.M. Gee [ID136](#), C. Gemme [ID57b](#),
 M.H. Genest [ID60](#), S. Gentile [ID75a,75b](#), A.D. Gentry [ID112](#), S. George [ID95](#), W.F. George [ID20](#), T. Gerialis [ID46](#),
 P. Gessinger-Befurt [ID36](#), M.E. Geyik [ID171](#), M. Ghani [ID167](#), M. Ghneimat [ID141](#), K. Ghorbanian [ID94](#),
 A. Ghosal [ID141](#), A. Ghosh [ID160](#), A. Ghosh [ID7](#), B. Giacobbe [ID23b](#), S. Giagu [ID75a,75b](#), T. Giani [ID114](#),
 P. Giannetti [ID74a](#), A. Giannini [ID62a](#), S.M. Gibson [ID95](#), M. Gignac [ID136](#), D.T. Gil [ID86b](#), A.K. Gilbert [ID86a](#),
 B.J. Gilbert [ID41](#), D. Gillberg [ID34](#), G. Gilles [ID114](#), N.E.K. Gillwald [ID48](#), L. Ginabat [ID127](#),
 D.M. Gingrich [ID2,au](#), M.P. Giordani [ID69a,69c](#), P.F. Giraud [ID135](#), G. Giugliarelli [ID69a,69c](#), D. Giugni [ID71a](#),
 F. Giuli [ID36](#), I. Gkialas [ID9,1](#), L.K. Gladilin [ID37](#), C. Glasman [ID99](#), G.R. Gledhill [ID123](#), G. Glemža [ID48](#),
 M. Glisic [ID123](#), I. Gnesi [ID43b,g](#), Y. Go [ID29,aw](#), M. Goblirsch-Kolb [ID36](#), B. Gocke [ID49](#), D. Godin [ID108](#),
 B. Gokturk [ID21a](#), S. Goldfarb [ID105](#), T. Golling [ID56](#), M.G.D. Gololo [ID33g](#), D. Golubkov [ID37](#),
 J.P. Gombas [ID107](#), A. Gomes [ID130a,130b](#), G. Gomes Da Silva [ID141](#), A.J. Gomez Delegido [ID163](#),
 R. Gonçalves [ID130a,130c](#), G. Gonella [ID123](#), L. Gonella [ID20](#), A. Gongadze [ID149c](#), F. Gonnella [ID20](#),
 J.L. Gonski [ID41](#), R.Y. González Andana [ID52](#), S. González de la Hoz [ID163](#), S. Gonzalez Fernandez [ID13](#),
 R. Gonzalez Lopez [ID92](#), C. Gonzalez Renteria [ID17a](#), M.V. Gonzalez Rodrigues [ID48](#),
 R. Gonzalez Suarez [ID161](#), S. Gonzalez-Sevilla [ID56](#), G.R. Gonzalvo Rodriguez [ID163](#), L. Goossens [ID36](#),
 B. Gorini [ID36](#), E. Gorini [ID70a,70b](#), A. Gorišek [ID93](#), T.C. Gosart [ID128](#), A.T. Goshaw [ID51](#), M.I. Gostkin [ID38](#),
 S. Goswami [ID121](#), C.A. Gottardo [ID36](#), S.A. Gotz [ID109](#), M. Gouighri [ID35b](#), V. Goumarre [ID48](#),
 A.G. Goussiou [ID138](#), N. Govender [ID33c](#), I. Grabowska-Bold [ID86a](#), K. Graham [ID34](#), E. Gramstad [ID125](#),
 S. Grancagnolo [ID70a,70b](#), M. Grandi [ID146](#), C.M. Grant [ID1,135](#), P.M. Gravila [ID27f](#), F.G. Gravili [ID70a,70b](#),
 H.M. Gray [ID17a](#), M. Greco [ID70a,70b](#), C. Grefe [ID24](#), I.M. Gregor [ID48](#), P. Grenier [ID143](#), C. Grieco [ID13](#),
 A.A. Grillo [ID136](#), K. Grimm [ID31](#), S. Grinstein [ID13,ac](#), J.-F. Grivaz [ID66](#), E. Gross [ID169](#),

J. Grosse-Knetter ⁵⁵, C. Grud ¹⁰⁶, J.C. Grundy ¹²⁶, L. Guan ¹⁰⁶, W. Guan ¹⁷⁰, C. Gubbels ¹⁶⁴,
 J.G.R. Guerrero Rojas ¹⁶³, G. Guerrieri ^{69a,69c}, F. Guescini ¹¹⁰, D. Guest ¹⁸, R. Gugel ¹⁰⁰,
 J.A.M. Guhit ¹⁰⁶, A. Guida ¹⁸, T. Guillemain ⁴, E. Guilloton ^{167,134}, S. Guindon ³⁶,
 F. Guo ^{14a,14e}, J. Guo ^{62c}, L. Guo ⁴⁸, Y. Guo ¹⁰⁶, R. Gupta ⁴⁸, S. Gurbuz ²⁴, S.S. Gurdasani ⁵⁴,
 G. Gustavino ³⁶, M. Guth ⁵⁶, P. Gutierrez ¹²⁰, L.F. Gutierrez Zagazeta ¹²⁸, C. Gutschow ⁹⁶,
 C. Gwenlan ¹²⁶, C.B. Gwilliam ⁹², E.S. Haaland ¹²⁵, A. Haas ¹¹⁷, M. Habedank ⁴⁸,
 C. Haber ^{17a}, H.K. Hadavand ⁸, A. Hadeef ¹⁰⁰, S. Hadzic ¹¹⁰, J.J. Hahn ¹⁴¹, E.H. Haines ⁹⁶,
 M. Haleem ¹⁶⁶, J. Haley ¹²¹, J.J. Hall ¹³⁹, G.D. Hallowell ¹⁰², L. Halser ¹⁹, K. Hamano ¹⁶⁵,
 M. Hamer ²⁴, G.N. Hamity ⁵², E.J. Hampshire ⁹⁵, J. Han ^{62b}, K. Han ^{62a}, L. Han ^{14c},
 L. Han ^{62a}, S. Han ^{17a}, Y.F. Han ¹⁵⁵, K. Hanagaki ⁸⁴, M. Hance ¹³⁶, D.A. Hangal ^{41,am},
 H. Hanif ¹⁴², M.D. Hank ¹²⁸, R. Hankache ¹⁰¹, J.B. Hansen ⁴², J.D. Hansen ⁴², P.H. Hansen ⁴²,
 K. Hara ¹⁵⁷, D. Harada ⁵⁶, T. Harenberg ¹⁷¹, S. Harkusha ³⁷, M.L. Harris ¹⁰³, Y.T. Harris ¹²⁶,
 J. Harrison ¹³, N.M. Harrison ¹¹⁹, P.F. Harrison ¹⁶⁷, N.M. Hartman ¹⁴³, N.M. Hartmann ¹⁰⁹,
 Y. Hasegawa ¹⁴⁰, A. Hasib ⁵², S. Haug ¹⁹, R. Hauser ¹⁰⁷, C.M. Hawkes ²⁰, R.J. Hawkins ³⁶,
 Y. Hayashi ¹⁵³, S. Hayashida ¹¹¹, D. Hayden ¹⁰⁷, C. Hayes ¹⁰⁶, R.L. Hayes ¹¹⁴, C.P. Hays ¹²⁶,
 J.M. Hays ⁹⁴, H.S. Hayward ⁹², F. He ^{62a}, M. He ^{14a,14e}, Y. He ¹⁵⁴, Y. He ⁴⁸, N.B. Heatley ⁹⁴,
 V. Hedberg ⁹⁸, A.L. Heggelund ¹²⁵, N.D. Hehir ⁹⁴, C. Heidegger ⁵⁴, K.K. Heidegger ⁵⁴,
 W.D. Heidorn ⁸¹, J. Heilman ³⁴, S. Heim ⁴⁸, T. Heim ^{17a}, J.G. Heinlein ¹²⁸, J.J. Heinrich ¹²³,
 L. Heinrich ^{110,as}, J. Hejbal ¹³¹, L. Helary ⁴⁸, A. Held ¹⁷⁰, S. Hellesund ¹⁶, C.M. Helling ¹⁶⁴,
 S. Hellman ^{47a,47b}, R.C.W. Henderson ⁹¹, L. Henkelmann ³², A.M. Henriques Correia ³⁶, H. Herde ⁹⁸,
 Y. Hernández Jiménez ¹⁴⁵, L.M. Herrmann ²⁴, T. Herrmann ⁵⁰, G. Herten ⁵⁴, R. Hertenberger ¹⁰⁹,
 L. Hervas ³⁶, M.E. Hespings ¹⁰⁰, N.P. Hessey ^{156a}, H. Hibi ⁸⁵, S.J. Hillier ²⁰, J.R. Hinds ¹⁰⁷,
 F. Hinterkeuser ²⁴, M. Hirose ¹²⁴, S. Hirose ¹⁵⁷, D. Hirschbuehl ¹⁷¹, T.G. Hitchings ¹⁰¹,
 B. Hiti ⁹³, J. Hobbs ¹⁴⁵, R. Hobincu ^{27e}, N. Hod ¹⁶⁹, M.C. Hodgkinson ¹³⁹, B.H. Hodgkinson ³²,
 A. Hoecker ³⁶, J. Hofer ⁴⁸, T. Holm ²⁴, M. Holzbock ¹¹⁰, L.B.A.H. Hommels ³²,
 B.P. Honan ¹⁰¹, J. Hong ^{62c}, T.M. Hong ¹²⁹, B.H. Hooberman ¹⁶², W.H. Hopkins ⁶,
 Y. Horii ¹¹¹, S. Hou ¹⁴⁸, A.S. Howard ⁹³, J. Howarth ⁵⁹, J. Hoya ⁶, M. Hrabovsky ¹²²,
 A. Hrynevich ⁴⁸, T. Hryn'ova ⁴, P.J. Hsu ⁶⁵, S.-C. Hsu ¹³⁸, Q. Hu ^{62a}, Y.F. Hu ^{14a,14e},
 S. Huang ^{64b}, X. Huang ^{14c}, Y. Huang ^{139,n}, Y. Huang ^{14a}, Z. Huang ¹⁰¹, Z. Hubacek ¹³²,
 M. Huebner ²⁴, F. Huegging ²⁴, T.B. Huffman ¹²⁶, C.A. Hugli ⁴⁸, M. Huhtinen ³⁶,
 S.K. Huiberts ¹⁶, R. Hulsken ¹⁰⁴, N. Huseynov ^{12,a}, J. Huston ¹⁰⁷, J. Huth ⁶¹, R. Hyneman ¹⁴³,
 G. Iacobucci ⁵⁶, G. Iakovidis ²⁹, I. Ibragimov ¹⁴¹, L. Iconomidou-Fayard ⁶⁶, P. Iengo ^{72a,72b},
 R. Iguchi ¹⁵³, T. Iizawa ^{126,s}, Y. Ikegami ⁸⁴, N. Ilic ¹⁵⁵, H. Imam ^{35a}, M. Ince Lezki ⁵⁶,
 T. Ingebretsen Carlson ^{47a,47b}, G. Introzzi ^{73a,73b}, M. Iodice ^{77a}, V. Ippolito ^{75a,75b}, R.K. Irwin ⁹²,
 M. Ishino ¹⁵³, W. Islam ¹⁷⁰, C. Issever ^{18,48}, S. Istin ^{21a,ay}, H. Ito ¹⁶⁸, J.M. Iturbe Ponce ^{64a},
 R. Iuppa ^{78a,78b}, A. Ivina ¹⁶⁹, J.M. Izen ⁴⁵, V. Izzo ^{72a}, P. Jacka ^{131,132}, P. Jackson ¹,
 R.M. Jacobs ⁴⁸, B.P. Jaeger ¹⁴², C.S. Jagfeld ¹⁰⁹, G. Jain ^{156a}, P. Jain ⁵⁴, G. Jäkel ¹⁷¹,
 K. Jakobs ⁵⁴, T. Jakoubek ¹⁶⁹, J. Jamieson ⁵⁹, K.W. Janas ^{86a}, M. Javurkova ¹⁰³, F. Jeanneau ¹³⁵,
 L. Jeanty ¹²³, J. Jejelava ^{149a,aj}, P. Jenni ^{54,i}, C.E. Jessiman ³⁴, S. Jézéquel ⁴, C. Jia ^{62b}, J. Jia ¹⁴⁵,
 X. Jia ⁶¹, X. Jia ^{14a,14e}, Z. Jia ^{14c}, Y. Jiang ^{62a}, S. Jiggins ⁴⁸, J. Jimenez Pena ¹³, S. Jin ^{14c},
 A. Jinaru ^{27b}, O. Jinnouchi ¹⁵⁴, P. Johansson ¹³⁹, K.A. Johns ⁷, J.W. Johnson ¹³⁶, D.M. Jones ³²,
 E. Jones ⁴⁸, P. Jones ³², R.W.L. Jones ⁹¹, T.J. Jones ⁹², H.L. Joos ^{55,36}, R. Joshi ¹¹⁹,
 J. Jovicevic ¹⁵, X. Ju ^{17a}, J.J. Junggeburth ^{103,w}, T. Junkermann ^{63a}, A. Juste Rozas ^{13,ac},
 M.K. Juzek ⁸⁷, S. Kabana ^{137e}, A. Kaczmarska ⁸⁷, M. Kado ¹¹⁰, H. Kagan ¹¹⁹, M. Kagan ¹⁴³,
 A. Kahn ⁴¹, A. Kahn ¹²⁸, C. Kahra ¹⁰⁰, T. Kaji ¹⁵³, E. Kajomovitz ¹⁵⁰, N. Kakati ¹⁶⁹,
 I. Kalaitzidou ⁵⁴, C.W. Kalderon ²⁹, A. Kamenshchikov ¹⁵⁵, N.J. Kang ¹³⁶, D. Kar ^{33g},
 K. Karava ¹²⁶, M.J. Kareem ^{156b}, E. Karentzos ⁵⁴, I. Karkanias ¹⁵², O. Karkout ¹¹⁴,

S.N. Karpov ³⁸, Z.M. Karpova ³⁸, V. Kartvelishvili ⁹¹, A.N. Karyukhin ³⁷, E. Kasimi ¹⁵², J. Katzy ⁴⁸, S. Kaur ³⁴, K. Kawade ¹⁴⁰, M.P. Kawale ¹²⁰, T. Kawamoto ¹³⁵, E.F. Kay ³⁶, F.I. Kaya ¹⁵⁸, S. Kazakos ¹⁰⁷, V.F. Kazanin ³⁷, Y. Ke ¹⁴⁵, J.M. Keaveney ^{33a}, R. Keeler ¹⁶⁵, G.V. Kehris ⁶¹, J.S. Keller ³⁴, A.S. Kelly ⁹⁶, J.J. Kempster ¹⁴⁶, K.E. Kennedy ⁴¹, P.D. Kennedy ¹⁰⁰, O. Kepka ¹³¹, B.P. Kerridge ¹⁶⁷, S. Kersten ¹⁷¹, B.P. Kerševan ⁹³, S. Keshri ⁶⁶, L. Keszeghova ^{28a}, S. Ketabchi Haghghat ¹⁵⁵, M. Khandoga ¹²⁷, A. Khanov ¹²¹, A.G. Kharlamov ³⁷, T. Kharlamova ³⁷, E.E. Khoda ¹³⁸, T.J. Khoo ¹⁸, G. Khoriauli ¹⁶⁶, J. Khubua ^{149b}, Y.A.R. Khwaira ⁶⁶, A. Kilgallon ¹²³, D.W. Kim ^{47a,47b}, Y.K. Kim ³⁹, N. Kimura ⁹⁶, M.K. Kingston ⁵⁵, A. Kirchhoff ⁵⁵, C. Kirfel ²⁴, F. Kirfel ²⁴, J. Kirk ¹³⁴, A.E. Kiryunin ¹¹⁰, C. Kitsaki ¹⁰, O. Kivernyk ²⁴, M. Klassen ^{63a}, C. Klein ³⁴, L. Klein ¹⁶⁶, M.H. Klein ¹⁰⁶, M. Klein ⁹², S.B. Klein ⁵⁶, U. Klein ⁹², P. Klimek ³⁶, A. Klimentov ²⁹, T. Klioutchnikova ³⁶, P. Kluit ¹¹⁴, S. Kluth ¹¹⁰, E. Kneringer ⁷⁹, T.M. Knight ¹⁵⁵, A. Knue ⁴⁹, R. Kobayashi ⁸⁸, D. Kobylanskii ¹⁶⁹, S.F. Koch ¹²⁶, M. Kocian ¹⁴³, P. Kodyš ¹³³, D.M. Koeck ¹²³, P.T. Koenig ²⁴, T. Koffas ³⁴, M. Kolb ¹³⁵, I. Koletsou ⁴, T. Komarek ¹²², K. Köneke ⁵⁴, A.X.Y. Kong ¹, T. Kono ¹¹⁸, N. Konstantinidis ⁹⁶, B. Konya ⁹⁸, R. Kopeliansky ⁶⁸, S. Koperny ^{86a}, K. Korcyl ⁸⁷, K. Kordas ^{152,f}, G. Koren ¹⁵¹, A. Korn ⁹⁶, S. Korn ⁵⁵, I. Korolkov ¹³, N. Korotkova ³⁷, B. Kortman ¹¹⁴, O. Kortner ¹¹⁰, S. Kortner ¹¹⁰, W.H. Kostecka ¹¹⁵, V.V. Kostyukhin ¹⁴¹, A. Kotsokechagia ¹³⁵, A. Kotwal ⁵¹, A. Koulouris ³⁶, A. Kourkoumeli-Charalampidi ^{73a,73b}, C. Kourkoumelis ⁹, E. Kourlitis ^{110,as}, O. Kovanda ¹⁴⁶, R. Kowalewski ¹⁶⁵, W. Kozanecki ¹³⁵, A.S. Kozhin ³⁷, V.A. Kramarenko ³⁷, G. Kramberger ⁹³, P. Kramer ¹⁰⁰, M.W. Krasny ¹²⁷, A. Krasznahorkay ³⁶, J.W. Kraus ¹⁷¹, J.A. Kremer ¹⁰⁰, T. Kresse ⁵⁰, J. Kretschmar ⁹², K. Kreul ¹⁸, P. Krieger ¹⁵⁵, S. Krishnamurthy ¹⁰³, M. Krivos ¹³³, K. Krizka ²⁰, K. Kroeninger ⁴⁹, H. Kroha ¹¹⁰, J. Kroll ¹³¹, J. Kroll ¹²⁸, K.S. Krowpman ¹⁰⁷, U. Kruchonak ³⁸, H. Krüger ²⁴, N. Krumnack ⁸¹, M.C. Kruse ⁵¹, J.A. Krzysiak ⁸⁷, O. Kuchinskaia ³⁷, S. Kuday ^{3a}, S. Kuehn ³⁶, R. Kuesters ⁵⁴, T. Kuhl ⁴⁸, V. Kukhtin ³⁸, Y. Kulchitsky ^{37,a}, S. Kuleshov ^{137d,137b}, M. Kumar ^{33g}, N. Kumari ⁴⁸, A. Kupco ¹³¹, T. Kupfer ⁴⁹, A. Kupich ³⁷, O. Kuprash ⁵⁴, H. Kurashige ⁸⁵, L.L. Kurchaninov ^{156a}, O. Kurdysh ⁶⁶, Y.A. Kurochkin ³⁷, A. Kurova ³⁷, M. Kuze ¹⁵⁴, A.K. Kvam ¹⁰³, J. Kvita ¹²², T. Kwan ¹⁰⁴, N.G. Kyriacou ¹⁰⁶, L.A.O. Laatu ¹⁰², C. Lacasta ¹⁶³, F. Lacava ^{75a,75b}, H. Lacker ¹⁸, D. Lacour ¹²⁷, N.N. Lad ⁹⁶, E. Ladygin ³⁸, B. Laforge ¹²⁷, T. Lagouri ^{137e}, F.Z. Lahbabi ^{35a}, S. Lai ⁵⁵, I.K. Lakomic ^{86a}, N. Lalloue ⁶⁰, J.E. Lambert ^{165,o}, S. Lammers ⁶⁸, W. Lampl ⁷, C. Lampoudis ^{152,f}, A.N. Lancaster ¹¹⁵, E. Lançon ²⁹, U. Landgraf ⁵⁴, M.P.J. Landon ⁹⁴, V.S. Lang ⁵⁴, R.J. Langenberg ¹⁰³, O.K.B. Langrekken ¹²⁵, A.J. Lankford ¹⁶⁰, F. Lanni ³⁶, K. Lantzsch ²⁴, A. Lanza ^{73a}, A. Lapertosa ^{57b,57a}, J.F. Laporte ¹³⁵, T. Lari ^{71a}, F. Lasagni Manghi ^{23b}, M. Lassnig ³⁶, V. Latonova ¹³¹, A. Laudrain ¹⁰⁰, A. Laurier ¹⁵⁰, S.D. Lawlor ⁹⁵, Z. Lawrence ¹⁰¹, M. Lazzaroni ^{71a,71b}, B. Le ¹⁰¹, E.M. Le Boulicaut ⁵¹, B. Leban ⁹³, A. Lebedev ⁸¹, M. LeBlanc ^{101,aq}, F. Ledroit-Guillon ⁶⁰, A.C.A. Lee ⁹⁶, S.C. Lee ¹⁴⁸, S. Lee ^{47a,47b}, T.F. Lee ⁹², L.L. Leeuw ^{33c}, H.P. Lefebvre ⁹⁵, M. Lefebvre ¹⁶⁵, C. Leggett ^{17a}, G. Lehmann Miotto ³⁶, M. Leigh ⁵⁶, W.A. Leight ¹⁰³, W. Leinonen ¹¹³, A. Leisos ^{152,ab}, M.A.L. Leite ^{83c}, C.E. Leitgeb ⁴⁸, R. Leitner ¹³³, K.J.C. Leney ⁴⁴, T. Lenz ²⁴, S. Leone ^{74a}, C. Leonidopoulos ⁵², A. Leopold ¹⁴⁴, C. Leroy ¹⁰⁸, R. Les ¹⁰⁷, C.G. Lester ³², M. Levchenko ³⁷, J. Levêque ⁴, D. Levin ¹⁰⁶, L.J. Levinson ¹⁶⁹, M.P. Lewicki ⁸⁷, D.J. Lewis ⁴, A. Li ⁵, B. Li ^{62b}, C. Li ^{62a}, C-Q. Li ^{62c}, H. Li ^{62a}, H. Li ^{62b}, H. Li ^{14c}, H. Li ^{14b}, H. Li ^{62b}, K. Li ¹³⁸, L. Li ^{62c}, M. Li ^{14a,14e}, Q.Y. Li ^{62a}, S. Li ^{14a,14e}, S. Li ^{62d,62c,e}, T. Li ^{5,c}, X. Li ¹⁰⁴, Z. Li ¹²⁶, Z. Li ¹⁰⁴, Z. Li ⁹², Z. Li ^{14a,14e}, S. Liang ^{14a,14e}, Z. Liang ^{14a}, M. Liberatore ^{135,ak}, B. Liberti ^{76a}, K. Lie ^{64c}, J. Lieber Marin ^{83b}, H. Lien ⁶⁸, K. Lin ¹⁰⁷, R.E. Lindley ⁷, J.H. Lindon ², E. Lipeles ¹²⁸, A. Lipniacka ¹⁶, A. Lister ¹⁶⁴, J.D. Little ⁴, B. Liu ^{14a}, B.X. Liu ¹⁴²,

D. Liu ^{62d,62c}, J.B. Liu ^{62a}, J.K.K. Liu ³², K. Liu ^{62d,62c}, M. Liu ^{62a}, M.Y. Liu ^{62a}, P. Liu ^{14a},
 Q. Liu ^{62d,138,62c}, X. Liu ^{62a}, Y. Liu ^{14d,14e}, Y.L. Liu ^{62b}, Y.W. Liu ^{62a}, J. Llorente Merino ¹⁴²,
 S.L. Lloyd ⁹⁴, E.M. Lobodzinska ⁴⁸, P. Loch ⁷, S. Loffredo ^{76a,76b}, T. Lohse ¹⁸,
 K. Lohwasser ¹³⁹, E. Loiacono ⁴⁸, M. Lokajicek ^{131,*}, J.D. Lomas ²⁰, J.D. Long ¹⁶²,
 I. Longarini ¹⁶⁰, L. Longo ^{70a,70b}, R. Longo ¹⁶², I. Lopez Paz ⁶⁷, A. Lopez Solis ⁴⁸,
 J. Lorenz ¹⁰⁹, N. Lorenzo Martinez ⁴, A.M. Lory ¹⁰⁹, O. Loseva ³⁷, X. Lou ^{47a,47b},
 X. Lou ^{14a,14e}, A. Lounis ⁶⁶, J. Love ⁶, P.A. Love ⁹¹, G. Lu ^{14a,14e}, M. Lu ⁸⁰, S. Lu ¹²⁸,
 Y.J. Lu ⁶⁵, H.J. Lubatti ¹³⁸, C. Luci ^{75a,75b}, F.L. Lucio Alves ^{14c}, A. Lucotte ⁶⁰, F. Luehring ⁶⁸,
 I. Luise ¹⁴⁵, O. Lukianchuk ⁶⁶, O. Lundberg ¹⁴⁴, B. Lund-Jensen ¹⁴⁴, N.A. Luongo ¹²³,
 M.S. Lutz ¹⁵¹, D. Lynn ²⁹, H. Lyons ⁹², R. Lysak ¹³¹, E. Lytken ⁹⁸, V. Lyubushkin ³⁸,
 T. Lyubushkina ³⁸, M.M. Lyukova ¹⁴⁵, H. Ma ²⁹, K. Ma ^{62a}, L.L. Ma ^{62b}, Y. Ma ¹²¹,
 D.M. Mac Donell ¹⁶⁵, G. Maccarrone ⁵³, J.C. MacDonald ¹⁰⁰, P.C. Machado De Abreu Farias ^{83b},
 R. Madar ⁴⁰, W.F. Mader ⁵⁰, T. Madula ⁹⁶, J. Maeda ⁸⁵, T. Maeno ²⁹, M. Maerker ⁵⁰,
 H. Maguire ¹³⁹, V. Maiboroda ¹³⁵, A. Maio ^{130a,130b,130d}, K. Maj ^{86a}, O. Majersky ⁴⁸,
 S. Majewski ¹²³, N. Makovec ⁶⁶, V. Maksimovic ¹⁵, B. Malaescu ¹²⁷, Pa. Malecki ⁸⁷,
 V.P. Maleev ³⁷, F. Malek ⁶⁰, M. Mali ⁹³, D. Malito ^{95,t}, U. Mallik ⁸⁰, S. Maltezos ¹⁰,
 S. Malyukov ³⁸, J. Mamuzic ¹³, G. Mancini ⁵³, G. Manco ^{73a,73b}, J.P. Mandalia ⁹⁴, I. Mandić ⁹³,
 L. Manhaes de Andrade Filho ^{83a}, I.M. Maniatis ¹⁶⁹, J. Manjarres Ramos ^{102,al}, D.C. Mankad ¹⁶⁹,
 A. Mann ¹⁰⁹, B. Mansoulie ¹³⁵, S. Manzoni ³⁶, A. Marantis ^{152,ab}, G. Marchiori ⁵,
 M. Marcisovsky ¹³¹, C. Marcon ^{71a,71b}, M. Marinescu ²⁰, M. Marjanovic ¹²⁰, E.J. Marshall ⁹¹,
 Z. Marshall ^{17a}, S. Marti-Garcia ¹⁶³, T.A. Martin ¹⁶⁷, V.J. Martin ⁵², B. Martin dit Latour ¹⁶,
 L. Martinelli ^{75a,75b}, M. Martinez ^{13,ac}, P. Martinez Agullo ¹⁶³, V.I. Martinez Outschoorn ¹⁰³,
 P. Martinez Suarez ¹³, S. Martin-Haugh ¹³⁴, V.S. Martoiu ^{27b}, A.C. Martyniuk ⁹⁶, A. Marzin ³⁶,
 D. Mascione ^{78a,78b}, L. Masetti ¹⁰⁰, T. Mashimo ¹⁵³, J. Masik ¹⁰¹, A.L. Maslennikov ³⁷,
 L. Massa ^{23b}, P. Massarotti ^{72a,72b}, P. Mastrandrea ^{74a,74b}, A. Mastroberardino ^{43b,43a},
 T. Masubuchi ¹⁵³, T. Mathisen ¹⁶¹, J. Matousek ¹³³, N. Matsuzawa ¹⁵³, J. Maurer ^{27b}, B. Maček ⁹³,
 D.A. Maximov ³⁷, R. Mazini ¹⁴⁸, I. Maznas ¹⁵², M. Mazza ¹⁰⁷, S.M. Mazza ¹³⁶,
 E. Mazzeo ^{71a,71b}, C. Mc Ginn ²⁹, J.P. Mc Gowan ¹⁰⁴, S.P. Mc Kee ¹⁰⁶, E.F. McDonald ¹⁰⁵,
 A.E. McDougall ¹¹⁴, J.A. Mcfayden ¹⁴⁶, R.P. McGovern ¹²⁸, G. Mchedlidze ^{149b},
 R.P. Mckenzie ^{33g}, T.C. Mclachlan ⁴⁸, D.J. Mclaughlin ⁹⁶, K.D. McLean ¹⁶⁵, S.J. McMahon ¹³⁴,
 P.C. McNamara ¹⁰⁵, C.M. Mccpartland ⁹², R.A. McPherson ^{165,ag}, S. Mehlhase ¹⁰⁹, A. Mehta ⁹²,
 D. Melini ¹⁵⁰, B.R. Mellado Garcia ^{33g}, A.H. Melo ⁵⁵, F. Meloni ⁴⁸,
 A.M. Mendes Jacques Da Costa ¹⁰¹, H.Y. Meng ¹⁵⁵, L. Meng ⁹¹, S. Menke ¹¹⁰, M. Mentink ³⁶,
 E. Meoni ^{43b,43a}, C. Merlassino ¹²⁶, L. Merola ^{72a,72b}, C. Meroni ^{71a}, G. Merz ¹⁰⁶, O. Meshkov ³⁷,
 J. Metcalfe ⁶, A.S. Mete ⁶, C. Meyer ⁶⁸, J-P. Meyer ¹³⁵, R.P. Middleton ¹³⁴, L. Mijović ⁵²,
 G. Mikenberg ¹⁶⁹, M. Mikestikova ¹³¹, M. Mikuš ⁹³, H. Mildner ¹⁰⁰, A. Milic ³⁶, C.D. Milke ⁴⁴,
 D.W. Miller ³⁹, L.S. Miller ³⁴, A. Milov ¹⁶⁹, D.A. Milstead ^{47a,47b}, T. Min ^{14c}, A.A. Minaenko ³⁷,
 I.A. Minashvili ^{149b}, L. Mince ⁵⁹, A.I. Mincer ¹¹⁷, B. Mindur ^{86a}, M. Mineev ³⁸, Y. Mino ⁸⁸,
 L.M. Mir ¹³, M. Miralles Lopez ¹⁶³, M. Mironova ^{17a}, A. Mishima ¹⁵³, M.C. Missio ¹¹³,
 A. Mitra ¹⁶⁷, V.A. Mitsou ¹⁶³, Y. Mitsumori ¹¹¹, O. Miu ¹⁵⁵, P.S. Miyagawa ⁹⁴,
 T. Mkrtchyan ^{63a}, M. Mlinarevic ⁹⁶, T. Mlinarevic ⁹⁶, M. Mlynarikova ³⁶, S. Mobius ¹⁹,
 P. Moder ⁴⁸, P. Mogg ¹⁰⁹, A.F. Mohammed ^{14a,14e}, S. Mohapatra ⁴¹, G. Mokgatitswane ^{33g},
 L. Moleri ¹⁶⁹, B. Mondal ¹⁴¹, S. Mondal ¹³², G. Monig ¹⁴⁶, K. Mönig ⁴⁸, E. Monnier ¹⁰²,
 L. Monsonis Romero ¹⁶³, J. Montejo Berlingen ¹³, M. Montella ¹¹⁹, F. Montekali ^{77a,77b},
 F. Monticelli ⁹⁰, S. Monzani ^{69a,69c}, N. Morange ⁶⁶, A.L. Moreira De Carvalho ^{130a},
 M. Moreno Llácer ¹⁶³, C. Moreno Martinez ⁵⁶, P. Moretini ^{57b}, S. Morgenstern ³⁶, M. Morii ⁶¹,
 M. Morinaga ¹⁵³, A.K. Morley ³⁶, F. Morodei ^{75a,75b}, L. Morvaj ³⁶, P. Moschovakos ³⁶,

B. Moser ³⁶, M. Mosidze^{149b}, T. Moskalets ⁵⁴, P. Moskvitina ¹¹³, J. Moss ^{31,q}, E.J.W. Moyses ¹⁰³,
 O. Mtintsilana ^{33g}, S. Muanza ¹⁰², J. Mueller ¹²⁹, D. Muenstermann ⁹¹, R. Müller ¹⁹,
 G.A. Mullier ¹⁶¹, A.J. Mullin³², J.J. Mullin¹²⁸, D.P. Mungo ¹⁵⁵, D. Munoz Perez ¹⁶³,
 F.J. Munoz Sanchez ¹⁰¹, M. Murin ¹⁰¹, W.J. Murray ^{167,134}, A. Murrone ^{71a,71b}, J.M. Muse ¹²⁰,
 M. Muškinja ^{17a}, C. Mwewa ²⁹, A.G. Myagkov ^{37,a}, A.J. Myers ⁸, A.A. Myers¹²⁹, G. Myers ⁶⁸,
 M. Myska ¹³², B.P. Nachman ^{17a}, O. Nackenhorst ⁴⁹, A. Nag ⁵⁰, K. Nagai ¹²⁶, K. Nagano ⁸⁴,
 J.L. Nagle ^{29,aw}, E. Nagy ¹⁰², A.M. Nairz ³⁶, Y. Nakahama ⁸⁴, K. Nakamura ⁸⁴, K. Nakkalil ⁵,
 H. Nanjo ¹²⁴, R. Narayan ⁴⁴, E.A. Narayanan ¹¹², I. Naryshkin ³⁷, M. Naseri ³⁴, S. Nasri ¹⁵⁹,
 C. Nass ²⁴, G. Navarro ^{22a}, J. Navarro-Gonzalez ¹⁶³, R. Nayak ¹⁵¹, A. Nayaz ¹⁸,
 P.Y. Nechaeva ³⁷, F. Nechansky ⁴⁸, L. Nedic ¹²⁶, T.J. Neep ²⁰, A. Negri ^{73a,73b}, M. Negrini ^{23b},
 C. Nellist ¹¹⁴, C. Nelson ¹⁰⁴, K. Nelson ¹⁰⁶, S. Nemecek ¹³¹, M. Nessi ^{36,j}, M.S. Neubauer ¹⁶²,
 F. Neuhaus ¹⁰⁰, J. Neundorf ⁴⁸, R. Newhouse ¹⁶⁴, P.R. Newman ²⁰, C.W. Ng ¹²⁹, Y.W.Y. Ng ⁴⁸,
 B. Ngair ^{35e}, H.D.N. Nguyen ¹⁰⁸, R.B. Nickerson ¹²⁶, R. Nicolaidou ¹³⁵, J. Nielsen ¹³⁶,
 M. Niemeyer ⁵⁵, J. Niermann ^{55,36}, N. Nikiforou ³⁶, V. Nikolaenko ^{37,a}, I. Nikolic-Audit ¹²⁷,
 K. Nikolopoulos ²⁰, P. Nilsson ²⁹, I. Ninca ⁴⁸, H.R. Nindhito ⁵⁶, G. Ninio ¹⁵¹, A. Nisati ^{75a},
 N. Nishu ², R. Nisius ¹¹⁰, J-E. Nitschke ⁵⁰, E.K. Nkadimeng ^{33g}, T. Nobe ¹⁵³, D.L. Noel ³²,
 T. Nommensen ¹⁴⁷, M.B. Norfolk ¹³⁹, R.R.B. Norisam ⁹⁶, B.J. Norman ³⁴, J. Novak ⁹³,
 T. Novak ⁴⁸, L. Novotny ¹³², R. Novotny ¹¹², L. Nozka ¹²², K. Ntekas ¹⁶⁰,
 N.M.J. Nunes De Moura Junior ^{83b}, E. Nurse⁹⁶, J. Ocariz ¹²⁷, A. Ochi ⁸⁵, I. Ochoa ^{130a},
 S. Oerdek ^{48,z}, J.T. Offermann ³⁹, A. Ogrodnik ¹³³, A. Oh ¹⁰¹, C.C. Ohm ¹⁴⁴, H. Oide ⁸⁴,
 R. Oishi ¹⁵³, M.L. Ojeda ⁴⁸, M.W. O'Keefe⁹², Y. Okumura ¹⁵³, L.F. Oleiro Seabra ^{130a},
 S.A. Olivares Pino ^{137d}, D. Oliveira Damazio ²⁹, D. Oliveira Goncalves ^{83a}, J.L. Oliver ¹⁶⁰,
 A. Olszewski ⁸⁷, Ö.O. Öncel ⁵⁴, A.P. O'Neill ¹⁹, A. Onofre ^{130a,130e}, P.U.E. Onyisi ¹¹,
 M.J. Oreglia ³⁹, G.E. Orellana ⁹⁰, D. Orestano ^{77a,77b}, N. Orlando ¹³, R.S. Orr ¹⁵⁵,
 V. O'Shea ⁵⁹, L.M. Osojnak ¹²⁸, R. Ospanov ^{62a}, G. Otero y Garzon ³⁰, H. Otono ⁸⁹,
 P.S. Ott ^{63a}, G.J. Ottino ^{17a}, M. Ouchrif ^{35d}, J. Ouellette ²⁹, F. Ould-Saada ¹²⁵, M. Owen ⁵⁹,
 R.E. Owen ¹³⁴, K.Y. Oyulmaz ^{21a}, V.E. Ozcan ^{21a}, N. Ozturk ⁸, S. Ozturk ⁸², H.A. Pacey ¹²⁶,
 A. Pacheco Pages ¹³, C. Padilla Aranda ¹³, G. Padovano ^{75a,75b}, S. Pagan Griso ^{17a},
 G. Palacino ⁶⁸, A. Palazzo ^{70a,70b}, S. Palestini ³⁶, J. Pan ¹⁷², T. Pan ^{64a}, D.K. Panchal ¹¹,
 C.E. Pandini ¹¹⁴, J.G. Panduro Vazquez ⁹⁵, H.D. Pandya ¹, H. Pang ^{14b}, P. Pani ⁴⁸,
 G. Panizzo ^{69a,69c}, L. Paolozzi ⁵⁶, C. Papadatos ¹⁰⁸, S. Parajuli ⁴⁴, A. Paramonov ⁶,
 C. Paraskevopoulos ¹⁰, D. Paredes Hernandez ^{64b}, T.H. Park ¹⁵⁵, M.A. Parker ³², F. Parodi ^{57b,57a},
 E.W. Parrish ¹¹⁵, V.A. Parrish ⁵², J.A. Parsons ⁴¹, U. Parzefall ⁵⁴, B. Pascual Dias ¹⁰⁸,
 L. Pascual Dominguez ¹⁵¹, E. Pasqualucci ^{75a}, S. Passaggio ^{57b}, F. Pastore ⁹⁵, P. Pasuwan ^{47a,47b},
 P. Patel ⁸⁷, U.M. Patel ⁵¹, J.R. Pater ¹⁰¹, T. Pauly ³⁶, J. Parkes ¹⁴³, M. Pedersen ¹²⁵,
 R. Pedro ^{130a}, S.V. Peleganchuk ³⁷, O. Penc ³⁶, E.A. Pender ⁵², H. Peng ^{62a}, K.E. Pensi ¹⁰⁹,
 M. Penzin ³⁷, B.S. Peralva ^{83d}, A.P. Pereira Peixoto ⁶⁰, L. Pereira Sanchez ^{47a,47b},
 D.V. Perepelitsa ^{29,aw}, E. Perez Codina ^{156a}, M. Perganti ¹⁰, L. Perini ^{71a,71b,*}, H. Pernegger ³⁶,
 O. Perrin ⁴⁰, K. Peters ⁴⁸, R.F.Y. Peters ¹⁰¹, B.A. Petersen ³⁶, T.C. Petersen ⁴², E. Petit ¹⁰²,
 V. Petousis ¹³², C. Petridou ^{152,f}, A. Petrukhin ¹⁴¹, M. Pettee ^{17a}, N.E. Pettersson ³⁶,
 A. Petukhov ³⁷, K. Petukhova ¹³³, R. Pezoa ^{137f}, L. Pezzotti ³⁶, G. Pezzullo ¹⁷², T.M. Pham ¹⁷⁰,
 T. Pham ¹⁰⁵, P.W. Phillips ¹³⁴, G. Piacquadio ¹⁴⁵, E. Pianori ^{17a}, F. Piazza ^{71a,71b}, R. Piegai ³⁰,
 D. Pietreanu ^{27b}, A.D. Pilkington ¹⁰¹, M. Pinamonti ^{69a,69c}, J.L. Pinfeld ²,
 B.C. Pinheiro Pereira ^{130a}, A.E. Pinto Pinoargote ^{100,135}, L. Pintucci ^{69a,69c}, K.M. Piper ¹⁴⁶,
 A. Pirttikoski ⁵⁶, D.A. Pizzi ³⁴, L. Pizzimento ^{64b}, A. Pizzini ¹¹⁴, M.-A. Pleier ²⁹, V. Plesanovs⁵⁴,
 V. Pleskot ¹³³, E. Plotnikova³⁸, G. Poddar ⁴, R. Poettgen ⁹⁸, L. Poggioli ¹²⁷, I. Pokharel ⁵⁵,
 S. Polacek ¹³³, G. Polesello ^{73a}, A. Poley ^{142,156a}, R. Polifka ¹³², A. Polini ^{23b}, C.S. Pollard ¹⁶⁷,

Z.B. Pollock [id119](#), V. Polychronakos [id29](#), E. Pompa Pacchi [id75a,75b](#), D. Ponomarenko [id113](#), L. Pontecorvo [id36](#), S. Popa [id27a](#), G.A. Popeneciu [id27d](#), A. Poreba [id36](#), D.M. Portillo Quintero [id156a](#), S. Pospisil [id132](#), M.A. Postill [id139](#), P. Postolache [id27c](#), K. Potamianos [id167](#), P.A. Potepa [id86a](#), I.N. Potrap [id38](#), C.J. Potter [id32](#), H. Potti [id1](#), T. Poulsen [id48](#), J. Poveda [id163](#), M.E. Pozo Astigarraga [id36](#), A. Prades Ibanez [id163](#), J. Pretel [id54](#), D. Price [id101](#), M. Primavera [id70a](#), M.A. Principe Martin [id99](#), R. Privara [id122](#), T. Procter [id59](#), M.L. Proffitt [id138](#), N. Proklova [id128](#), K. Prokofiev [id64c](#), G. Proto [id110](#), S. Protopopescu [id29](#), J. Proudfoot [id6](#), M. Przybycien [id86a](#), W.W. Przygoda [id86b](#), J.E. Puddefoot [id139](#), D. Pudzha [id37](#), D. Pyatiizbyantseva [id37](#), J. Qian [id106](#), D. Qichen [id101](#), Y. Qin [id101](#), T. Qiu [id52](#), A. Quadt [id55](#), M. Queitsch-Maitland [id101](#), G. Quetant [id56](#), R.P. Quinn [id164](#), G. Rabanal Bolanos [id61](#), D. Rafanoharana [id54](#), F. Ragusa [id71a,71b](#), J.L. Rainbolt [id39](#), J.A. Raine [id56](#), S. Rajagopalan [id29](#), E. Ramakoti [id37](#), K. Ran [id48,14e](#), N.P. Rapheeha [id33g](#), H. Rasheed [id27b](#), V. Raskina [id127](#), D.F. Rassloff [id63a](#), S. Rave [id100](#), B. Ravina [id55](#), I. Ravinovich [id169](#), M. Raymond [id36](#), A.L. Read [id125](#), N.P. Readioff [id139](#), D.M. Rebuzzi [id73a,73b](#), G. Redlinger [id29](#), A.S. Reed [id110](#), K. Reeves [id26](#), J.A. Reidelsturz [id171,aa](#), D. Reikher [id151](#), A. Rej [id141](#), C. Rembser [id36](#), A. Renardi [id48](#), M. Renda [id27b](#), M.B. Rendel [id110](#), F. Renner [id48](#), A.G. Rennie [id160](#), A.L. Rescia [id48](#), S. Resconi [id71a](#), M. Ressegotti [id57b,57a](#), S. Rettie [id36](#), J.G. Reyes Rivera [id107](#), E. Reynolds [id17a](#), O.L. Rezanova [id37](#), P. Reznicek [id133](#), N. Ribaric [id91](#), E. Ricci [id78a,78b](#), R. Richter [id110](#), S. Richter [id47a,47b](#), E. Richter-Was [id86b](#), M. Ridel [id127](#), S. Ridouani [id35d](#), P. Rieck [id117](#), P. Riedler [id36](#), E.M. Riefel [id47a,47b](#), M. Rijssenbeek [id145](#), A. Rimoldi [id73a,73b](#), M. Rimoldi [id48](#), L. Rinaldi [id23b,23a](#), T.T. Rinn [id29](#), M.P. Rinnagel [id109](#), G. Ripellino [id161](#), I. Riu [id13](#), P. Rivadeneira [id48](#), J.C. Rivera Vergara [id165](#), F. Rizatdinova [id121](#), E. Rizvi [id94](#), B.A. Roberts [id167](#), B.R. Roberts [id17a](#), S.H. Robertson [id104,ag](#), D. Robinson [id32](#), C.M. Robles Gajardo [id137f](#), M. Robles Manzano [id100](#), A. Robson [id59](#), A. Rocchi [id76a,76b](#), C. Roda [id74a,74b](#), S. Rodriguez Bosca [id63a](#), Y. Rodriguez Garcia [id22a](#), A. Rodriguez Rodriguez [id54](#), A.M. Rodríguez Vera [id156b](#), S. Roe [id36](#), J.T. Roemer [id160](#), A.R. Roepe-Gier [id136](#), J. Roggel [id171](#), O. Røhne [id125](#), R.A. Rojas [id103](#), C.P.A. Roland [id68](#), J. Roloff [id29](#), A. Romaniouk [id37](#), E. Romano [id73a,73b](#), M. Romano [id23b](#), A.C. Romero Hernandez [id162](#), N. Rompotis [id92](#), L. Roos [id127](#), S. Rosati [id75a](#), B.J. Rosser [id39](#), E. Rossi [id126](#), E. Rossi [id72a,72b](#), L.P. Rossi [id57b](#), L. Rossini [id54](#), R. Rosten [id119](#), M. Rotaru [id27b](#), B. Rottler [id54](#), C. Rougier [id102,al](#), D. Rousseau [id66](#), D. Rousso [id32](#), A. Roy [id162](#), S. Roy-Garand [id155](#), A. Rozanov [id102](#), Y. Rozen [id150](#), X. Ruan [id33g](#), A. Rubio Jimenez [id163](#), A.J. Ruby [id92](#), V.H. Ruelas Rivera [id18](#), T.A. Ruggeri [id1](#), A. Ruggiero [id126](#), A. Ruiz-Martinez [id163](#), A. Rummler [id36](#), Z. Rurikova [id54](#), N.A. Rusakovich [id38](#), H.L. Russell [id165](#), G. Russo [id75a,75b](#), J.P. Rutherford [id7](#), S. Rutherford Colmenares [id32](#), K. Rybacki [id91](#), M. Rybar [id133](#), E.B. Rye [id125](#), A. Ryzhov [id44](#), J.A. Sabater Iglesias [id56](#), P. Sabatini [id163](#), L. Sabetta [id75a,75b](#), H.F-W. Sadrozinski [id136](#), F. Safai Tehrani [id75a](#), B. Safarzadeh Samani [id146](#), M. Safdari [id143](#), S. Saha [id165](#), M. Sahinsoy [id110](#), M. Saimpert [id135](#), M. Saito [id153](#), T. Saito [id153](#), D. Salamani [id36](#), A. Salnikov [id143](#), J. Salt [id163](#), A. Salvador Salas [id13](#), D. Salvatore [id43b,43a](#), F. Salvatore [id146](#), A. Salzburger [id36](#), D. Sammel [id54](#), D. Sampsonidis [id152,f](#), D. Sampsonidou [id123](#), J. Sánchez [id163](#), A. Sanchez Pineda [id4](#), V. Sanchez Sebastian [id163](#), H. Sandaker [id125](#), C.O. Sander [id48](#), J.A. Sandesara [id103](#), M. Sandhoff [id171](#), C. Sandoval [id22b](#), D.P.C. Sankey [id134](#), T. Sano [id88](#), A. Sansoni [id53](#), L. Santi [id75a,75b](#), C. Santoni [id40](#), H. Santos [id130a,130b](#), S.N. Santpur [id17a](#), A. Santra [id169](#), K.A. Saoucha [id116b](#), J.G. Saraiva [id130a,130d](#), J. Sardain [id7](#), O. Sasaki [id84](#), K. Sato [id157](#), C. Sauer [id63b](#), F. Sauerburger [id54](#), E. Sauvan [id4](#), P. Savard [id155,au](#), R. Sawada [id153](#), C. Sawyer [id134](#), L. Sawyer [id97](#), I. Sayago Galvan [id163](#), C. Sbarra [id23b](#), A. Sbrizzi [id23b,23a](#), T. Scanlon [id96](#), J. Schaarschmidt [id138](#), P. Schacht [id110](#), D. Schaefer [id39](#), U. Schäfer [id100](#), A.C. Schaffer [id66,44](#), D. Schaile [id109](#), R.D. Schamberger [id145](#), C. Scharf [id18](#), M.M. Schefer [id19](#), V.A. Schegelsky [id37](#), D. Scheirich [id133](#), F. Schenck [id18](#), M. Schernau [id160](#), C. Scheulen [id55](#), C. Schiavi [id57b,57a](#), E.J. Schioppa [id70a,70b](#), M. Schioppa [id43b,43a](#), B. Schlag [id143,u](#), K.E. Schleicher [id54](#), S. Schlenker [id36](#), J. Schmeing [id171](#),

M.A. Schmidt [ID171](#), K. Schmieden [ID100](#), C. Schmitt [ID100](#), S. Schmitt [ID48](#), L. Schoeffel [ID135](#),
A. Schoening [ID63b](#), P.G. Scholer [ID54](#), E. Schopf [ID126](#), M. Schott [ID100](#), J. Schovancova [ID36](#),
S. Schramm [ID56](#), F. Schroeder [ID171](#), T. Schroer [ID56](#), H-C. Schultz-Coulon [ID63a](#), M. Schumacher [ID54](#),
B.A. Schumm [ID136](#), Ph. Schune [ID135](#), A.J. Schuy [ID138](#), H.R. Schwartz [ID136](#), A. Schwartzman [ID143](#),
T.A. Schwarz [ID106](#), Ph. Schwemling [ID135](#), R. Schwienhorst [ID107](#), A. Sciandra [ID136](#), G. Sciolla [ID26](#),
F. Scuri [ID74a](#), C.D. Sebastiani [ID92](#), K. Sedlaczek [ID115](#), P. Seema [ID18](#), S.C. Seidel [ID112](#), A. Seiden [ID136](#),
B.D. Seidlitz [ID41](#), C. Seitz [ID48](#), J.M. Seixas [ID83b](#), G. Sekhniaidze [ID72a](#), S.J. Sekula [ID44](#), L. Selem [ID60](#),
N. Semprini-Cesari [ID23b,23a](#), D. Sengupta [ID56](#), V. Senthilkumar [ID163](#), L. Serin [ID66](#), L. Serkin [ID69a,69b](#),
M. Sessa [ID76a,76b](#), H. Severini [ID120](#), F. Sforza [ID57b,57a](#), A. Sfyrta [ID56](#), E. Shabalina [ID55](#), R. Shaheen [ID144](#),
J.D. Shahinian [ID128](#), D. Shaked Renous [ID169](#), L.Y. Shan [ID14a](#), M. Shapiro [ID17a](#), A. Sharma [ID36](#),
A.S. Sharma [ID164](#), P. Sharma [ID80](#), S. Sharma [ID48](#), P.B. Shatalov [ID37](#), K. Shaw [ID146](#), S.M. Shaw [ID101](#),
A. Shcherbakova [ID37](#), Q. Shen [ID62c,5](#), P. Sherwood [ID96](#), L. Shi [ID96](#), X. Shi [ID14a](#), C.O. Shimmin [ID172](#),
J.D. Shinner [ID95](#), I.P.J. Shipsey [ID126](#), S. Shirabe [ID56,j](#), M. Shiyakova [ID38,ae](#), J. Shlomi [ID169](#),
M.J. Shochet [ID39](#), J. Shojaii [ID105](#), D.R. Shope [ID125](#), B. Shrestha [ID120](#), S. Shrestha [ID119,ax](#),
E.M. Shrif [ID33g](#), M.J. Shroff [ID165](#), P. Sicho [ID131](#), A.M. Sickles [ID162](#), E. Sideras Haddad [ID33g](#),
A. Sidoti [ID23b](#), F. Siegert [ID50](#), Dj. Sijacki [ID15](#), R. Sikora [ID86a](#), F. Sili [ID90](#), J.M. Silva [ID20](#),
M.V. Silva Oliveira [ID29](#), S.B. Silverstein [ID47a](#), S. Simion [ID66](#), R. Simoniello [ID36](#), E.L. Simpson [ID59](#),
H. Simpson [ID146](#), L.R. Simpson [ID106](#), N.D. Simpson [ID98](#), S. Simsek [ID82](#), S. Sindhu [ID55](#), P. Sinervo [ID155](#),
S. Singh [ID155](#), S. Sinha [ID48](#), S. Sinha [ID101](#), M. Sioli [ID23b,23a](#), I. Siral [ID36](#), E. Sitnikova [ID48](#),
S.Yu. Sivoklov [ID37,*](#), J. Sjölin [ID47a,47b](#), A. Skaf [ID55](#), E. Skorda [ID20,ap](#), P. Skubic [ID120](#),
M. Slawinska [ID87](#), V. Smakhtin [ID169](#), B.H. Smart [ID134](#), J. Smiesko [ID36](#), S.Yu. Smirnov [ID37](#), Y. Smirnov [ID37](#),
L.N. Smirnova [ID37,a](#), O. Smirnova [ID98](#), A.C. Smith [ID41](#), E.A. Smith [ID39](#), H.A. Smith [ID126](#),
J.L. Smith [ID92](#), R. Smith [ID143](#), M. Smizanska [ID91](#), K. Smolek [ID132](#), A.A. Snesarev [ID37](#), S.R. Snider [ID155](#),
H.L. Snoek [ID114](#), S. Snyder [ID29](#), R. Sobie [ID165,ag](#), A. Soffer [ID151](#), C.A. Solans Sanchez [ID36](#),
E.Yu. Soldatov [ID37](#), U. Soldevila [ID163](#), A.A. Solodkov [ID37](#), S. Solomon [ID26](#), A. Soloshenko [ID38](#),
K. Solovieva [ID54](#), O.V. Solovyanov [ID40](#), V. Solovyev [ID37](#), P. Sommer [ID36](#), A. Sonay [ID13](#),
W.Y. Song [ID156b](#), J.M. Sonneveld [ID114](#), A. Sopczak [ID132](#), A.L. Sopio [ID96](#), F. Sopkova [ID28b](#),
V. Sothilingam [ID63a](#), S. Sottocornola [ID68](#), R. Soualah [ID116b](#), Z. Soumami [ID35e](#), D. South [ID48](#),
N. Soybelman [ID169](#), S. Spagnolo [ID70a,70b](#), M. Spalla [ID110](#), D. Sperlich [ID54](#), G. Spigo [ID36](#), S. Spinali [ID91](#),
D.P. Spiteri [ID59](#), M. Spousta [ID133](#), E.J. Staats [ID34](#), A. Stabile [ID71a,71b](#), R. Stamen [ID63a](#), A. Stampekis [ID20](#),
M. Standke [ID24](#), E. Stanecka [ID87](#), M.V. Stange [ID50](#), B. Stanislaus [ID17a](#), M.M. Stanitzki [ID48](#), B. Stapf [ID48](#),
E.A. Starchenko [ID37](#), G.H. Stark [ID136](#), J. Stark [ID102,al](#), D.M. Starke [ID156b](#), P. Staroba [ID131](#),
P. Starovoitov [ID63a](#), S. Stärz [ID104](#), R. Staszewski [ID87](#), G. Stavropoulos [ID46](#), J. Steentoft [ID161](#),
P. Steinberg [ID29](#), B. Stelzer [ID142,156a](#), H.J. Stelzer [ID129](#), O. Stelzer-Chilton [ID156a](#), H. Stenzel [ID58](#),
T.J. Stevenson [ID146](#), G.A. Stewart [ID36](#), J.R. Stewart [ID121](#), M.C. Stockton [ID36](#), G. Stoicea [ID27b](#),
M. Stolarski [ID130a](#), S. Stonjek [ID110](#), A. Straessner [ID50](#), J. Strandberg [ID144](#), S. Strandberg [ID47a,47b](#),
M. Stratmann [ID171](#), M. Strauss [ID120](#), T. Strebler [ID102](#), P. Strizenec [ID28b](#), R. Ströhmer [ID166](#),
D.M. Strom [ID123](#), L.R. Strom [ID48](#), R. Stroynowski [ID44](#), A. Strubig [ID47a,47b](#), S.A. Stucci [ID29](#),
B. Stugu [ID16](#), J. Stupak [ID120](#), N.A. Styles [ID48](#), D. Su [ID143](#), S. Su [ID62a](#), W. Su [ID62d](#), X. Su [ID62a,66](#),
K. Sugizaki [ID153](#), V.V. Sulin [ID37](#), M.J. Sullivan [ID92](#), D.M.S. Sultan [ID78a,78b](#), L. Sultanaliev [ID37](#),
S. Sultansoy [ID3b](#), T. Sumida [ID88](#), S. Sun [ID106](#), S. Sun [ID170](#), O. Sunneborn Gudnadottir [ID161](#), N. Sur [ID102](#),
M.R. Sutton [ID146](#), H. Suzuki [ID157](#), M. Svatos [ID131](#), M. Swiatlowski [ID156a](#), T. Swirski [ID166](#),
I. Sykora [ID28a](#), M. Sykora [ID133](#), T. Sykora [ID133](#), D. Ta [ID100](#), K. Tackmann [ID48,ad](#), A. Taffard [ID160](#),
R. Tafirout [ID156a](#), J.S. Tafoya Vargas [ID66](#), E.P. Takeva [ID52](#), Y. Takubo [ID84](#), M. Talby [ID102](#),
A.A. Talyshev [ID37](#), K.C. Tam [ID64b](#), N.M. Tamir [ID151](#), A. Tanaka [ID153](#), J. Tanaka [ID153](#), R. Tanaka [ID66](#),
M. Tanasini [ID57b,57a](#), Z. Tao [ID164](#), S. Tapia Araya [ID137f](#), S. Tapprogge [ID100](#),
A. Tarek Abouelfadl Mohamed [ID107](#), S. Tarem [ID150](#), K. Tariq [ID14a](#), G. Tarna [ID102,27b](#), G.F. Tartarelli [ID71a](#),

P. Tas ¹³³, M. Tasevsky ¹³¹, E. Tassi ^{43b,43a}, A.C. Tate ¹⁶², G. Tateno ¹⁵³, Y. Tayalati ^{35e,af},
 G.N. Taylor ¹⁰⁵, W. Taylor ^{156b}, H. Teagle ⁹², A.S. Tee ¹⁷⁰, R. Teixeira De Lima ¹⁴³,
 P. Teixeira-Dias ⁹⁵, J.J. Teoh ¹⁵⁵, K. Terashi ¹⁵³, J. Terron ⁹⁹, S. Terzo ¹³, M. Testa ⁵³,
 R.J. Teuscher ^{155,ag}, A. Thaler ⁷⁹, O. Theiner ⁵⁶, N. Themistokleous ⁵², T. Theveneaux-Pelzer ¹⁰²,
 O. Thielmann ¹⁷¹, D.W. Thomas ⁹⁵, J.P. Thomas ²⁰, E.A. Thompson ^{17a}, P.D. Thompson ²⁰,
 E. Thomson ¹²⁸, Y. Tian ⁵⁵, V. Tikhomirov ^{37,a}, Yu.A. Tikhonov ³⁷, S. Timoshenko ³⁷,
 D. Timoshyn ¹³³, E.X.L. Ting ¹, P. Tipton ¹⁷², S.H. Tlou ^{33g}, A. Tnourji ⁴⁰, K. Todome ¹⁵⁴,
 S. Todorova-Nova ¹³³, S. Todt ⁵⁰, M. Togawa ⁸⁴, J. Tojo ⁸⁹, S. Tokár ^{28a}, K. Tokushuku ⁸⁴,
 O. Toldaiev ⁶⁸, R. Tombs ³², M. Tomoto ^{84,111}, L. Tompkins ^{143,u}, K.W. Topolnicki ^{86b},
 E. Torrence ¹²³, H. Torres ^{102,al}, E. Torró Pastor ¹⁶³, M. Toscani ³⁰, C. Toscirì ³⁹, M. Tost ¹¹,
 D.R. Tovey ¹³⁹, A. Traeet ¹⁶, I.S. Trandafir ^{27b}, T. Trefzger ¹⁶⁶, A. Tricoli ²⁹, I.M. Trigger ^{156a},
 S. Trincaz-Duvoid ¹²⁷, D.A. Trischuk ²⁶, B. Trocmé ⁶⁰, C. Troncon ^{71a}, L. Truong ^{33c},
 M. Trzebinski ⁸⁷, A. Trzupiek ⁸⁷, F. Tsai ¹⁴⁵, M. Tsai ¹⁰⁶, A. Tsiamis ^{152,f}, P.V. Tsiareshka ³⁷,
 S. Tsigaridas ^{156a}, A. Tsirigotis ^{152,ab}, V. Tsiskaridze ¹⁵⁵, E.G. Tskhadadze ^{149a}, M. Tsopoulou ^{152,f},
 Y. Tsujikawa ⁸⁸, I.I. Tsukerman ³⁷, V. Tsulaia ^{17a}, S. Tsuno ⁸⁴, O. Tsur ¹⁵⁰, K. Tsurì ¹¹⁸,
 D. Tsybychev ¹⁴⁵, Y. Tu ^{64b}, A. Tudorache ^{27b}, V. Tudorache ^{27b}, A.N. Tuna ³⁶,
 S. Turchikhin ^{57b,57a}, I. Turk Cakir ^{3a}, R. Turra ^{71a}, T. Turtuvshin ^{38,ah}, P.M. Tuts ⁴¹,
 S. Tzamarias ^{152,f}, P. Tzani ¹⁰, E. Tzovara ¹⁰⁰, F. Ukegawa ¹⁵⁷, P.A. Ulloa Poblete ^{137c,137b},
 E.N. Umaka ²⁹, G. Unal ³⁶, M. Unal ¹¹, A. Undrus ²⁹, G. Unel ¹⁶⁰, J. Urban ^{28b},
 P. Urquijo ¹⁰⁵, G. Usai ⁸, R. Ushioda ¹⁵⁴, M. Usman ¹⁰⁸, Z. Uysal ^{21b}, L. Vacavant ¹⁰²,
 V. Vacek ¹³², B. Vachon ¹⁰⁴, K.O.H. Vadla ¹²⁵, T. Vafeiadis ³⁶, A. Vaitkus ⁹⁶, C. Valderanis ¹⁰⁹,
 E. Valdes Santurio ^{47a,47b}, M. Valente ^{156a}, S. Valentinetti ^{23b,23a}, A. Valero ¹⁶³,
 E. Valiente Moreno ¹⁶³, A. Vallier ^{102,al}, J.A. Valls Ferrer ¹⁶³, D.R. Van Arneman ¹¹⁴,
 T.R. Van Daalen ¹³⁸, A. Van Der Graaf ⁴⁹, P. Van Gemmeren ⁶, M. Van Rijnbach ^{125,36},
 S. Van Stroud ⁹⁶, I. Van Vulpen ¹¹⁴, M. Vanadia ^{76a,76b}, W. Vandelli ³⁶, M. Vandenbroucke ¹³⁵,
 E.R. Vandewall ¹²¹, D. Vannicola ¹⁵¹, L. Vannoli ^{57b,57a}, R. Vari ^{75a}, E.W. Varnes ⁷,
 C. Varni ^{17b}, T. Varol ¹⁴⁸, D. Varouchas ⁶⁶, L. Varriale ¹⁶³, K.E. Varvell ¹⁴⁷, M.E. Vasile ^{27b},
 L. Vaslin ⁴⁰, G.A. Vasquez ¹⁶⁵, A. Vasyukov ³⁸, F. Vazeille ⁴⁰, T. Vazquez Schroeder ³⁶,
 J. Veatch ³¹, V. Vecchio ¹⁰¹, M.J. Veen ¹⁰³, I. Veliscek ¹²⁶, L.M. Veloce ¹⁵⁵, F. Veloso ^{130a,130c},
 S. Veneziano ^{75a}, A. Ventura ^{70a,70b}, S. Ventura Gonzalez ¹³⁵, A. Verbytskyi ¹¹⁰,
 M. Verducci ^{74a,74b}, C. Vergis ²⁴, M. Verissimo De Araujo ^{83b}, W. Verkerke ¹¹⁴,
 J.C. Vermeulen ¹¹⁴, C. Vernieri ¹⁴³, M. Vessella ¹⁰³, M.C. Vetterli ^{142,au}, A. Vgenopoulos ^{152,f},
 N. Viaux Maira ^{137f}, T. Vickey ¹³⁹, O.E. Vickey Boeriu ¹³⁹, G.H.A. Viehhauser ¹²⁶, L. Viganì ^{63b},
 M. Villa ^{23b,23a}, M. Villaplana Perez ¹⁶³, E.M. Villhauer ⁵², E. Vilucchi ⁵³, M.G. Vincter ³⁴,
 G.S. Virdee ²⁰, A. Vishwakarma ⁵², A. Visibile ¹¹⁴, C. Vittori ³⁶, I. Vivarelli ¹⁴⁶, V. Vladimirov ¹⁶⁷,
 E. Voevodina ¹¹⁰, F. Vogel ¹⁰⁹, P. Vokac ¹³², Yu. Volkotrub ^{86a}, J. Von Ahnen ⁴⁸,
 E. Von Toerne ²⁴, B. Vormwald ³⁶, V. Vorobel ¹³³, K. Vorobev ³⁷, M. Vos ¹⁶³, K. Voss ¹⁴¹,
 J.H. Vossebeld ⁹², M. Vozak ¹¹⁴, L. Vozdecky ⁹⁴, N. Vranjes ¹⁵, M. Vranjes Milosavljevic ¹⁵,
 M. Vreeswijk ¹¹⁴, R. Vuillermet ³⁶, O. Vujanovic ¹⁰⁰, I. Vukotic ³⁹, S. Wada ¹⁵⁷, C. Wagner ¹⁰³,
 J.M. Wagner ^{17a}, W. Wagner ¹⁷¹, S. Wahdan ¹⁷¹, H. Wahlberg ⁹⁰, M. Wakida ¹¹¹, J. Walder ¹³⁴,
 R. Walker ¹⁰⁹, W. Walkowiak ¹⁴¹, A. Wall ¹²⁸, T. Wamorkar ⁶, A.Z. Wang ¹⁷⁰, C. Wang ¹⁰⁰,
 C. Wang ^{62c}, H. Wang ^{17a}, J. Wang ^{64a}, R.-J. Wang ¹⁰⁰, R. Wang ⁶¹, R. Wang ⁶,
 S.M. Wang ¹⁴⁸, S. Wang ^{62b}, T. Wang ^{62a}, W.T. Wang ⁸⁰, W. Wang ^{14a}, X. Wang ^{14c},
 X. Wang ¹⁶², X. Wang ^{62c}, Y. Wang ^{62d}, Y. Wang ^{14c}, Z. Wang ¹⁰⁶, Z. Wang ^{62d,51,62c},
 Z. Wang ¹⁰⁶, A. Warburton ¹⁰⁴, R.J. Ward ²⁰, N. Warrack ⁵⁹, A.T. Watson ²⁰, H. Watson ⁵⁹,
 M.F. Watson ²⁰, E. Watton ^{59,134}, G. Watts ¹³⁸, B.M. Waugh ⁹⁶, C. Weber ²⁹, H.A. Weber ¹⁸,
 M.S. Weber ¹⁹, S.M. Weber ^{63a}, C. Wei ^{62a}, Y. Wei ¹²⁶, A.R. Weidberg ¹²⁶, E.J. Weik ¹¹⁷,

J. Weingarten ⁴⁹, M. Weirich ¹⁰⁰, C. Weiser ⁵⁴, C.J. Wells ⁴⁸, T. Wenaus ²⁹, B. Wendland ⁴⁹, T. Wengler ³⁶, N.S. Wenke ¹¹⁰, N. Wermes ²⁴, M. Wessels ^{63a}, A.M. Wharton ⁹¹, A.S. White ⁶¹, A. White ⁸, M.J. White ¹, D. Whiteson ¹⁶⁰, L. Wickremasinghe ¹²⁴, W. Wiedenmann ¹⁷⁰, C. Wiel ⁵⁰, M. Wielers ¹³⁴, C. Wiglesworth ⁴², D.J. Wilbern ¹²⁰, H.G. Wilkens ³⁶, D.M. Williams ⁴¹, H.H. Williams ¹²⁸, S. Williams ³², S. Willocq ¹⁰³, B.J. Wilson ¹⁰¹, P.J. Windischhofer ³⁹, F.I. Winkel ³⁰, F. Winklmeier ¹²³, B.T. Winter ⁵⁴, J.K. Winter ¹⁰¹, M. Wittgen ¹⁴³, M. Wobisch ⁹⁷, Z. Wolfs ¹¹⁴, J. Wollrath ¹⁶⁰, M.W. Wolter ⁸⁷, H. Wolters ^{130a,130c}, A.F. Wongel ⁴⁸, S.D. Worm ⁴⁸, B.K. Wosiek ⁸⁷, K.W. Woźniak ⁸⁷, S. Wozniwski ⁵⁵, K. Wraight ⁵⁹, C. Wu ²⁰, J. Wu ^{14a,14e}, M. Wu ^{64a}, M. Wu ¹¹³, S.L. Wu ¹⁷⁰, X. Wu ⁵⁶, Y. Wu ^{62a}, Z. Wu ¹³⁵, J. Wuerzinger ^{110,as}, T.R. Wyatt ¹⁰¹, B.M. Wynne ⁵², S. Xella ⁴², L. Xia ^{14c}, M. Xia ^{14b}, J. Xiang ^{64c}, M. Xie ^{62a}, X. Xie ^{62a}, S. Xin ^{14a,14e}, J. Xiong ^{17a}, D. Xu ^{14a}, H. Xu ^{62a}, L. Xu ^{62a}, R. Xu ¹²⁸, T. Xu ¹⁰⁶, Y. Xu ^{14b}, Z. Xu ⁵², Z. Xu ^{14a}, B. Yabsley ¹⁴⁷, S. Yacoub ^{33a}, Y. Yamaguchi ¹⁵⁴, E. Yamashita ¹⁵³, H. Yamauchi ¹⁵⁷, T. Yamazaki ^{17a}, Y. Yamazaki ⁸⁵, J. Yan ^{62c}, S. Yan ¹²⁶, Z. Yan ²⁵, H.J. Yang ^{62c,62d}, H.T. Yang ^{62a}, S. Yang ^{62a}, T. Yang ^{64c}, X. Yang ^{62a}, X. Yang ^{14a}, Y. Yang ⁴⁴, Y. Yang ^{62a}, Z. Yang ^{62a}, W.-M. Yao ^{17a}, Y.C. Yap ⁴⁸, H. Ye ^{14c}, H. Ye ⁵⁵, J. Ye ^{14a}, S. Ye ²⁹, X. Ye ^{62a}, Y. Yeh ⁹⁶, I. Yeletsikh ³⁸, B.K. Yeo ^{17b}, M.R. Yexley ⁹⁶, P. Yin ⁴¹, K. Yorita ¹⁶⁸, S. Younas ^{27b}, C.J.S. Young ³⁶, C. Young ¹⁴³, C. Yu ^{14a,14e}, Y. Yu ^{62a}, M. Yuan ¹⁰⁶, R. Yuan ^{62b,m}, L. Yue ⁹⁶, M. Zaazoua ^{62a}, B. Zabinski ⁸⁷, E. Zaid ⁵², T. Zakareishvili ^{149b}, N. Zakharchuk ³⁴, S. Zambito ⁵⁶, J.A. Zamora Saa ^{137d,137b}, J. Zang ¹⁵³, D. Zanzi ⁵⁴, O. Zaplatilek ¹³², C. Zeitnitz ¹⁷¹, H. Zeng ^{14a}, J.C. Zeng ¹⁶², D.T. Zenger Jr ²⁶, O. Zenin ³⁷, T. Ženiš ^{28a}, S. Zenz ⁹⁴, S. Zerradi ^{35a}, D. Zerwas ⁶⁶, M. Zhai ^{14a,14e}, B. Zhang ^{14c}, D.F. Zhang ¹³⁹, J. Zhang ^{62b}, J. Zhang ⁶, K. Zhang ^{14a,14e}, L. Zhang ^{14c}, P. Zhang ^{14a,14e}, R. Zhang ¹⁷⁰, S. Zhang ¹⁰⁶, T. Zhang ¹⁵³, X. Zhang ^{62c}, X. Zhang ^{62b}, Y. Zhang ^{62c,5}, Y. Zhang ⁹⁶, Z. Zhang ^{17a}, Z. Zhang ⁶⁶, H. Zhao ¹³⁸, P. Zhao ⁵¹, T. Zhao ^{62b}, Y. Zhao ¹³⁶, Z. Zhao ^{62a}, A. Zhemchugov ³⁸, J. Zheng ^{14c}, K. Zheng ¹⁶², X. Zheng ^{62a}, Z. Zheng ¹⁴³, D. Zhong ¹⁶², B. Zhou ¹⁰⁶, H. Zhou ⁷, N. Zhou ^{62c}, Y. Zhou ⁷, C.G. Zhu ^{62b}, J. Zhu ¹⁰⁶, Y. Zhu ^{62c}, Y. Zhu ^{62a}, X. Zhuang ^{14a}, K. Zhukov ³⁷, V. Zhulanov ³⁷, N.I. Zimine ³⁸, J. Zinsser ^{63b}, M. Ziolkowski ¹⁴¹, L. Živković ¹⁵, A. Zoccoli ^{23b,23a}, K. Zoch ⁵⁶, T.G. Zorbas ¹³⁹, O. Zormpa ⁴⁶, W. Zou ⁴¹, L. Zwalinski ³⁶.

¹Department of Physics, University of Adelaide, Adelaide; Australia.

²Department of Physics, University of Alberta, Edmonton AB; Canada.

³(^a)Department of Physics, Ankara University, Ankara; (^b)Division of Physics, TOBB University of Economics and Technology, Ankara; Türkiye.

⁴LAPP, Université Savoie Mont Blanc, CNRS/IN2P3, Annecy; France.

⁵APC, Université Paris Cité, CNRS/IN2P3, Paris; France.

⁶High Energy Physics Division, Argonne National Laboratory, Argonne IL; United States of America.

⁷Department of Physics, University of Arizona, Tucson AZ; United States of America.

⁸Department of Physics, University of Texas at Arlington, Arlington TX; United States of America.

⁹Physics Department, National and Kapodistrian University of Athens, Athens; Greece.

¹⁰Physics Department, National Technical University of Athens, Zografou; Greece.

¹¹Department of Physics, University of Texas at Austin, Austin TX; United States of America.

¹²Institute of Physics, Azerbaijan Academy of Sciences, Baku; Azerbaijan.

¹³Institut de Física d'Altes Energies (IFAE), Barcelona Institute of Science and Technology, Barcelona; Spain.

¹⁴(^a)Institute of High Energy Physics, Chinese Academy of Sciences, Beijing; (^b)Physics Department,

Tsinghua University, Beijing;^(c)Department of Physics, Nanjing University, Nanjing;^(d)School of Science, Shenzhen Campus of Sun Yat-sen University;^(e)University of Chinese Academy of Science (UCAS), Beijing; China.

¹⁵Institute of Physics, University of Belgrade, Belgrade; Serbia.

¹⁶Department for Physics and Technology, University of Bergen, Bergen; Norway.

¹⁷(^a)Physics Division, Lawrence Berkeley National Laboratory, Berkeley CA;^(b)University of California, Berkeley CA; United States of America.

¹⁸Institut für Physik, Humboldt Universität zu Berlin, Berlin; Germany.

¹⁹Albert Einstein Center for Fundamental Physics and Laboratory for High Energy Physics, University of Bern, Bern; Switzerland.

²⁰School of Physics and Astronomy, University of Birmingham, Birmingham; United Kingdom.

²¹(^a)Department of Physics, Bogazici University, Istanbul;^(b)Department of Physics Engineering, Gaziantep University, Gaziantep;^(c)Department of Physics, Istanbul University, Istanbul; Türkiye.

²²(^a)Facultad de Ciencias y Centro de Investigaciones, Universidad Antonio Nariño, Bogotá;^(b)Departamento de Física, Universidad Nacional de Colombia, Bogotá;^(c)Pontificia Universidad Javeriana, Bogota; Colombia.

²³(^a)Dipartimento di Fisica e Astronomia A. Righi, Università di Bologna, Bologna;^(b)INFN Sezione di Bologna; Italy.

²⁴Physikalisches Institut, Universität Bonn, Bonn; Germany.

²⁵Department of Physics, Boston University, Boston MA; United States of America.

²⁶Department of Physics, Brandeis University, Waltham MA; United States of America.

²⁷(^a)Transilvania University of Brasov, Brasov;^(b)Horia Hulubei National Institute of Physics and Nuclear Engineering, Bucharest;^(c)Department of Physics, Alexandru Ioan Cuza University of Iasi, Iasi;^(d)National Institute for Research and Development of Isotopic and Molecular Technologies, Physics Department, Cluj-Napoca;^(e)University Politehnica Bucharest, Bucharest;^(f)West University in Timisoara, Timisoara;^(g)Faculty of Physics, University of Bucharest, Bucharest; Romania.

²⁸(^a)Faculty of Mathematics, Physics and Informatics, Comenius University, Bratislava;^(b)Department of Subnuclear Physics, Institute of Experimental Physics of the Slovak Academy of Sciences, Kosice; Slovak Republic.

²⁹Physics Department, Brookhaven National Laboratory, Upton NY; United States of America.

³⁰Universidad de Buenos Aires, Facultad de Ciencias Exactas y Naturales, Departamento de Física, y CONICET, Instituto de Física de Buenos Aires (IFIBA), Buenos Aires; Argentina.

³¹California State University, CA; United States of America.

³²Cavendish Laboratory, University of Cambridge, Cambridge; United Kingdom.

³³(^a)Department of Physics, University of Cape Town, Cape Town;^(b)iThemba Labs, Western Cape;^(c)Department of Mechanical Engineering Science, University of Johannesburg, Johannesburg;

^(d)National Institute of Physics, University of the Philippines Diliman (Philippines);^(e)University of South Africa, Department of Physics, Pretoria;^(f)University of Zululand, KwaDlangezwa;^(g)School of Physics, University of the Witwatersrand, Johannesburg; South Africa.

³⁴Department of Physics, Carleton University, Ottawa ON; Canada.

³⁵(^a)Faculté des Sciences Ain Chock, Réseau Universitaire de Physique des Hautes Energies - Université Hassan II, Casablanca;^(b)Faculté des Sciences, Université Ibn-Tofail, Kénitra;^(c)Faculté des Sciences Semlalia, Université Cadi Ayyad, LPHEA-Marrakech;^(d)LPMR, Faculté des Sciences, Université Mohamed Premier, Oujda;^(e)Faculté des sciences, Université Mohammed V, Rabat;^(f)Institute of Applied Physics, Mohammed VI Polytechnic University, Ben Guerir; Morocco.

³⁶CERN, Geneva; Switzerland.

³⁷Affiliated with an institute covered by a cooperation agreement with CERN.

- ³⁸Affiliated with an international laboratory covered by a cooperation agreement with CERN.
- ³⁹Enrico Fermi Institute, University of Chicago, Chicago IL; United States of America.
- ⁴⁰LPC, Université Clermont Auvergne, CNRS/IN2P3, Clermont-Ferrand; France.
- ⁴¹Nevis Laboratory, Columbia University, Irvington NY; United States of America.
- ⁴²Niels Bohr Institute, University of Copenhagen, Copenhagen; Denmark.
- ⁴³(^a)Dipartimento di Fisica, Università della Calabria, Rende; (^b)INFN Gruppo Collegato di Cosenza, Laboratori Nazionali di Frascati; Italy.
- ⁴⁴Physics Department, Southern Methodist University, Dallas TX; United States of America.
- ⁴⁵Physics Department, University of Texas at Dallas, Richardson TX; United States of America.
- ⁴⁶National Centre for Scientific Research "Demokritos", Agia Paraskevi; Greece.
- ⁴⁷(^a)Department of Physics, Stockholm University; (^b)Oskar Klein Centre, Stockholm; Sweden.
- ⁴⁸Deutsches Elektronen-Synchrotron DESY, Hamburg and Zeuthen; Germany.
- ⁴⁹Fakultät Physik, Technische Universität Dortmund, Dortmund; Germany.
- ⁵⁰Institut für Kern- und Teilchenphysik, Technische Universität Dresden, Dresden; Germany.
- ⁵¹Department of Physics, Duke University, Durham NC; United States of America.
- ⁵²SUPA - School of Physics and Astronomy, University of Edinburgh, Edinburgh; United Kingdom.
- ⁵³INFN e Laboratori Nazionali di Frascati, Frascati; Italy.
- ⁵⁴Physikalisches Institut, Albert-Ludwigs-Universität Freiburg, Freiburg; Germany.
- ⁵⁵II. Physikalisches Institut, Georg-August-Universität Göttingen, Göttingen; Germany.
- ⁵⁶Département de Physique Nucléaire et Corpusculaire, Université de Genève, Genève; Switzerland.
- ⁵⁷(^a)Dipartimento di Fisica, Università di Genova, Genova; (^b)INFN Sezione di Genova; Italy.
- ⁵⁸II. Physikalisches Institut, Justus-Liebig-Universität Giessen, Giessen; Germany.
- ⁵⁹SUPA - School of Physics and Astronomy, University of Glasgow, Glasgow; United Kingdom.
- ⁶⁰LPSC, Université Grenoble Alpes, CNRS/IN2P3, Grenoble INP, Grenoble; France.
- ⁶¹Laboratory for Particle Physics and Cosmology, Harvard University, Cambridge MA; United States of America.
- ⁶²(^a)Department of Modern Physics and State Key Laboratory of Particle Detection and Electronics, University of Science and Technology of China, Hefei; (^b)Institute of Frontier and Interdisciplinary Science and Key Laboratory of Particle Physics and Particle Irradiation (MOE), Shandong University, Qingdao; (^c)School of Physics and Astronomy, Shanghai Jiao Tong University, Key Laboratory for Particle Astrophysics and Cosmology (MOE), SKLPPC, Shanghai; (^d)Tsung-Dao Lee Institute, Shanghai; China.
- ⁶³(^a)Kirchhoff-Institut für Physik, Ruprecht-Karls-Universität Heidelberg, Heidelberg; (^b)Physikalisches Institut, Ruprecht-Karls-Universität Heidelberg, Heidelberg; Germany.
- ⁶⁴(^a)Department of Physics, Chinese University of Hong Kong, Shatin, N.T., Hong Kong; (^b)Department of Physics, University of Hong Kong, Hong Kong; (^c)Department of Physics and Institute for Advanced Study, Hong Kong University of Science and Technology, Clear Water Bay, Kowloon, Hong Kong; China.
- ⁶⁵Department of Physics, National Tsing Hua University, Hsinchu; Taiwan.
- ⁶⁶IJCLab, Université Paris-Saclay, CNRS/IN2P3, 91405, Orsay; France.
- ⁶⁷Centro Nacional de Microelectrónica (IMB-CNM-CSIC), Barcelona; Spain.
- ⁶⁸Department of Physics, Indiana University, Bloomington IN; United States of America.
- ⁶⁹(^a)INFN Gruppo Collegato di Udine, Sezione di Trieste, Udine; (^b)ICTP, Trieste; (^c)Dipartimento Politecnico di Ingegneria e Architettura, Università di Udine, Udine; Italy.
- ⁷⁰(^a)INFN Sezione di Lecce; (^b)Dipartimento di Matematica e Fisica, Università del Salento, Lecce; Italy.
- ⁷¹(^a)INFN Sezione di Milano; (^b)Dipartimento di Fisica, Università di Milano, Milano; Italy.
- ⁷²(^a)INFN Sezione di Napoli; (^b)Dipartimento di Fisica, Università di Napoli, Napoli; Italy.
- ⁷³(^a)INFN Sezione di Pavia; (^b)Dipartimento di Fisica, Università di Pavia, Pavia; Italy.
- ⁷⁴(^a)INFN Sezione di Pisa; (^b)Dipartimento di Fisica E. Fermi, Università di Pisa, Pisa; Italy.

- ^{75(a)}INFN Sezione di Roma;^(b)Dipartimento di Fisica, Sapienza Università di Roma, Roma; Italy.
- ^{76(a)}INFN Sezione di Roma Tor Vergata;^(b)Dipartimento di Fisica, Università di Roma Tor Vergata, Roma; Italy.
- ^{77(a)}INFN Sezione di Roma Tre;^(b)Dipartimento di Matematica e Fisica, Università Roma Tre, Roma; Italy.
- ^{78(a)}INFN-TIFPA;^(b)Università degli Studi di Trento, Trento; Italy.
- ⁷⁹Universität Innsbruck, Department of Astro and Particle Physics, Innsbruck; Austria.
- ⁸⁰University of Iowa, Iowa City IA; United States of America.
- ⁸¹Department of Physics and Astronomy, Iowa State University, Ames IA; United States of America.
- ⁸²Istinye University, Sariyer, Istanbul; Türkiye.
- ^{83(a)}Departamento de Engenharia Elétrica, Universidade Federal de Juiz de Fora (UFJF), Juiz de Fora;^(b)Universidade Federal do Rio De Janeiro COPPE/EE/IF, Rio de Janeiro;^(c)Instituto de Física, Universidade de São Paulo, São Paulo;^(d)Rio de Janeiro State University, Rio de Janeiro; Brazil.
- ⁸⁴KEK, High Energy Accelerator Research Organization, Tsukuba; Japan.
- ⁸⁵Graduate School of Science, Kobe University, Kobe; Japan.
- ^{86(a)}AGH University of Krakow, Faculty of Physics and Applied Computer Science, Krakow;^(b)Marian Smoluchowski Institute of Physics, Jagiellonian University, Krakow; Poland.
- ⁸⁷Institute of Nuclear Physics Polish Academy of Sciences, Krakow; Poland.
- ⁸⁸Faculty of Science, Kyoto University, Kyoto; Japan.
- ⁸⁹Research Center for Advanced Particle Physics and Department of Physics, Kyushu University, Fukuoka ; Japan.
- ⁹⁰Instituto de Física La Plata, Universidad Nacional de La Plata and CONICET, La Plata; Argentina.
- ⁹¹Physics Department, Lancaster University, Lancaster; United Kingdom.
- ⁹²Oliver Lodge Laboratory, University of Liverpool, Liverpool; United Kingdom.
- ⁹³Department of Experimental Particle Physics, Jožef Stefan Institute and Department of Physics, University of Ljubljana, Ljubljana; Slovenia.
- ⁹⁴School of Physics and Astronomy, Queen Mary University of London, London; United Kingdom.
- ⁹⁵Department of Physics, Royal Holloway University of London, Egham; United Kingdom.
- ⁹⁶Department of Physics and Astronomy, University College London, London; United Kingdom.
- ⁹⁷Louisiana Tech University, Ruston LA; United States of America.
- ⁹⁸Fysiska institutionen, Lunds universitet, Lund; Sweden.
- ⁹⁹Departamento de Física Teórica C-15 and CIAFF, Universidad Autónoma de Madrid, Madrid; Spain.
- ¹⁰⁰Institut für Physik, Universität Mainz, Mainz; Germany.
- ¹⁰¹School of Physics and Astronomy, University of Manchester, Manchester; United Kingdom.
- ¹⁰²CPPM, Aix-Marseille Université, CNRS/IN2P3, Marseille; France.
- ¹⁰³Department of Physics, University of Massachusetts, Amherst MA; United States of America.
- ¹⁰⁴Department of Physics, McGill University, Montreal QC; Canada.
- ¹⁰⁵School of Physics, University of Melbourne, Victoria; Australia.
- ¹⁰⁶Department of Physics, University of Michigan, Ann Arbor MI; United States of America.
- ¹⁰⁷Department of Physics and Astronomy, Michigan State University, East Lansing MI; United States of America.
- ¹⁰⁸Group of Particle Physics, University of Montreal, Montreal QC; Canada.
- ¹⁰⁹Fakultät für Physik, Ludwig-Maximilians-Universität München, München; Germany.
- ¹¹⁰Max-Planck-Institut für Physik (Werner-Heisenberg-Institut), München; Germany.
- ¹¹¹Graduate School of Science and Kobayashi-Maskawa Institute, Nagoya University, Nagoya; Japan.
- ¹¹²Department of Physics and Astronomy, University of New Mexico, Albuquerque NM; United States of America.

- ¹¹³Institute for Mathematics, Astrophysics and Particle Physics, Radboud University/Nikhef, Nijmegen; Netherlands.
- ¹¹⁴Nikhef National Institute for Subatomic Physics and University of Amsterdam, Amsterdam; Netherlands.
- ¹¹⁵Department of Physics, Northern Illinois University, DeKalb IL; United States of America.
- ¹¹⁶^(a)New York University Abu Dhabi, Abu Dhabi;^(b)University of Sharjah, Sharjah; United Arab Emirates.
- ¹¹⁷Department of Physics, New York University, New York NY; United States of America.
- ¹¹⁸Ochanomizu University, Otsuka, Bunkyo-ku, Tokyo; Japan.
- ¹¹⁹Ohio State University, Columbus OH; United States of America.
- ¹²⁰Homer L. Dodge Department of Physics and Astronomy, University of Oklahoma, Norman OK; United States of America.
- ¹²¹Department of Physics, Oklahoma State University, Stillwater OK; United States of America.
- ¹²²Palacký University, Joint Laboratory of Optics, Olomouc; Czech Republic.
- ¹²³Institute for Fundamental Science, University of Oregon, Eugene, OR; United States of America.
- ¹²⁴Graduate School of Science, Osaka University, Osaka; Japan.
- ¹²⁵Department of Physics, University of Oslo, Oslo; Norway.
- ¹²⁶Department of Physics, Oxford University, Oxford; United Kingdom.
- ¹²⁷LPNHE, Sorbonne Université, Université Paris Cité, CNRS/IN2P3, Paris; France.
- ¹²⁸Department of Physics, University of Pennsylvania, Philadelphia PA; United States of America.
- ¹²⁹Department of Physics and Astronomy, University of Pittsburgh, Pittsburgh PA; United States of America.
- ¹³⁰^(a)Laboratório de Instrumentação e Física Experimental de Partículas - LIP, Lisboa;^(b)Departamento de Física, Faculdade de Ciências, Universidade de Lisboa, Lisboa;^(c)Departamento de Física, Universidade de Coimbra, Coimbra;^(d)Centro de Física Nuclear da Universidade de Lisboa, Lisboa;^(e)Departamento de Física, Universidade do Minho, Braga;^(f)Departamento de Física Teórica y del Cosmos, Universidad de Granada, Granada (Spain);^(g)Departamento de Física, Instituto Superior Técnico, Universidade de Lisboa, Lisboa; Portugal.
- ¹³¹Institute of Physics of the Czech Academy of Sciences, Prague; Czech Republic.
- ¹³²Czech Technical University in Prague, Prague; Czech Republic.
- ¹³³Charles University, Faculty of Mathematics and Physics, Prague; Czech Republic.
- ¹³⁴Particle Physics Department, Rutherford Appleton Laboratory, Didcot; United Kingdom.
- ¹³⁵IRFU, CEA, Université Paris-Saclay, Gif-sur-Yvette; France.
- ¹³⁶Santa Cruz Institute for Particle Physics, University of California Santa Cruz, Santa Cruz CA; United States of America.
- ¹³⁷^(a)Departamento de Física, Pontificia Universidad Católica de Chile, Santiago;^(b)Millennium Institute for Subatomic physics at high energy frontier (SAPHIR), Santiago;^(c)Instituto de Investigación Multidisciplinario en Ciencia y Tecnología, y Departamento de Física, Universidad de La Serena;^(d)Universidad Andres Bello, Department of Physics, Santiago;^(e)Instituto de Alta Investigación, Universidad de Tarapacá, Arica;^(f)Departamento de Física, Universidad Técnica Federico Santa María, Valparaíso; Chile.
- ¹³⁸Department of Physics, University of Washington, Seattle WA; United States of America.
- ¹³⁹Department of Physics and Astronomy, University of Sheffield, Sheffield; United Kingdom.
- ¹⁴⁰Department of Physics, Shinshu University, Nagano; Japan.
- ¹⁴¹Department Physik, Universität Siegen, Siegen; Germany.
- ¹⁴²Department of Physics, Simon Fraser University, Burnaby BC; Canada.
- ¹⁴³SLAC National Accelerator Laboratory, Stanford CA; United States of America.

- ¹⁴⁴Department of Physics, Royal Institute of Technology, Stockholm; Sweden.
- ¹⁴⁵Departments of Physics and Astronomy, Stony Brook University, Stony Brook NY; United States of America.
- ¹⁴⁶Department of Physics and Astronomy, University of Sussex, Brighton; United Kingdom.
- ¹⁴⁷School of Physics, University of Sydney, Sydney; Australia.
- ¹⁴⁸Institute of Physics, Academia Sinica, Taipei; Taiwan.
- ¹⁴⁹^(a)E. Andronikashvili Institute of Physics, Iv. Javakhishvili Tbilisi State University, Tbilisi;^(b)High Energy Physics Institute, Tbilisi State University, Tbilisi;^(c)University of Georgia, Tbilisi; Georgia.
- ¹⁵⁰Department of Physics, Technion, Israel Institute of Technology, Haifa; Israel.
- ¹⁵¹Raymond and Beverly Sackler School of Physics and Astronomy, Tel Aviv University, Tel Aviv; Israel.
- ¹⁵²Department of Physics, Aristotle University of Thessaloniki, Thessaloniki; Greece.
- ¹⁵³International Center for Elementary Particle Physics and Department of Physics, University of Tokyo, Tokyo; Japan.
- ¹⁵⁴Department of Physics, Tokyo Institute of Technology, Tokyo; Japan.
- ¹⁵⁵Department of Physics, University of Toronto, Toronto ON; Canada.
- ¹⁵⁶^(a)TRIUMF, Vancouver BC;^(b)Department of Physics and Astronomy, York University, Toronto ON; Canada.
- ¹⁵⁷Division of Physics and Tomonaga Center for the History of the Universe, Faculty of Pure and Applied Sciences, University of Tsukuba, Tsukuba; Japan.
- ¹⁵⁸Department of Physics and Astronomy, Tufts University, Medford MA; United States of America.
- ¹⁵⁹United Arab Emirates University, Al Ain; United Arab Emirates.
- ¹⁶⁰Department of Physics and Astronomy, University of California Irvine, Irvine CA; United States of America.
- ¹⁶¹Department of Physics and Astronomy, University of Uppsala, Uppsala; Sweden.
- ¹⁶²Department of Physics, University of Illinois, Urbana IL; United States of America.
- ¹⁶³Instituto de Física Corpuscular (IFIC), Centro Mixto Universidad de Valencia - CSIC, Valencia; Spain.
- ¹⁶⁴Department of Physics, University of British Columbia, Vancouver BC; Canada.
- ¹⁶⁵Department of Physics and Astronomy, University of Victoria, Victoria BC; Canada.
- ¹⁶⁶Fakultät für Physik und Astronomie, Julius-Maximilians-Universität Würzburg, Würzburg; Germany.
- ¹⁶⁷Department of Physics, University of Warwick, Coventry; United Kingdom.
- ¹⁶⁸Waseda University, Tokyo; Japan.
- ¹⁶⁹Department of Particle Physics and Astrophysics, Weizmann Institute of Science, Rehovot; Israel.
- ¹⁷⁰Department of Physics, University of Wisconsin, Madison WI; United States of America.
- ¹⁷¹Fakultät für Mathematik und Naturwissenschaften, Fachgruppe Physik, Bergische Universität Wuppertal, Wuppertal; Germany.
- ¹⁷²Department of Physics, Yale University, New Haven CT; United States of America.
- ^a Also Affiliated with an institute covered by a cooperation agreement with CERN.
- ^b Also at An-Najah National University, Nablus; Palestine.
- ^c Also at APC, Université Paris Cité, CNRS/IN2P3, Paris; France.
- ^d Also at Borough of Manhattan Community College, City University of New York, New York NY; United States of America.
- ^e Also at Center for High Energy Physics, Peking University; China.
- ^f Also at Center for Interdisciplinary Research and Innovation (CIRI-AUTH), Thessaloniki ; Greece.
- ^g Also at Centro Studi e Ricerche Enrico Fermi; Italy.
- ^h Also at CERN Tier-0; Switzerland.
- ⁱ Also at CERN, Geneva; Switzerland.
- ^j Also at Département de Physique Nucléaire et Corpusculaire, Université de Genève, Genève;

Switzerland.

^k Also at Departament de Física de la Universitat Autònoma de Barcelona, Barcelona; Spain.

^l Also at Department of Financial and Management Engineering, University of the Aegean, Chios; Greece.

^m Also at Department of Physics and Astronomy, Michigan State University, East Lansing MI; United States of America.

ⁿ Also at Department of Physics and Astronomy, University of Sheffield, Sheffield; United Kingdom.

^o Also at Department of Physics and Astronomy, University of Victoria, Victoria BC; Canada.

^p Also at Department of Physics, Ben Gurion University of the Negev, Beer Sheva; Israel.

^q Also at Department of Physics, California State University, Sacramento; United States of America.

^r Also at Department of Physics, King's College London, London; United Kingdom.

^s Also at Department of Physics, Oxford University, Oxford; United Kingdom.

^t Also at Department of Physics, Royal Holloway University of London, Egham; United Kingdom.

^u Also at Department of Physics, Stanford University, Stanford CA; United States of America.

^v Also at Department of Physics, University of Fribourg, Fribourg; Switzerland.

^w Also at Department of Physics, University of Massachusetts, Amherst MA; United States of America.

^x Also at Department of Physics, University of Thessaly; Greece.

^y Also at Department of Physics, Westmont College, Santa Barbara; United States of America.

^z Also at Deutsches Elektronen-Synchrotron DESY, Hamburg and Zeuthen; Germany.

^{aa} Also at Fakultät für Mathematik und Naturwissenschaften, Fachgruppe Physik, Bergische Universität Wuppertal, Wuppertal; Germany.

^{ab} Also at Hellenic Open University, Patras; Greece.

^{ac} Also at Institutio Catalana de Recerca i Estudis Avancats, ICREA, Barcelona; Spain.

^{ad} Also at Institut für Experimentalphysik, Universität Hamburg, Hamburg; Germany.

^{ae} Also at Institute for Nuclear Research and Nuclear Energy (INRNE) of the Bulgarian Academy of Sciences, Sofia; Bulgaria.

^{af} Also at Institute of Applied Physics, Mohammed VI Polytechnic University, Ben Guerir; Morocco.

^{ag} Also at Institute of Particle Physics (IPP); Canada.

^{ah} Also at Institute of Physics and Technology, Ulaanbaatar; Mongolia.

^{ai} Also at Institute of Physics, Azerbaijan Academy of Sciences, Baku; Azerbaijan.

^{aj} Also at Institute of Theoretical Physics, Iliia State University, Tbilisi; Georgia.

^{ak} Also at IRFU, CEA, Université Paris-Saclay, Gif-sur-Yvette; France.

^{al} Also at L2IT, Université de Toulouse, CNRS/IN2P3, UPS, Toulouse; France.

^{am} Also at Lawrence Livermore National Laboratory, Livermore; United States of America.

^{an} Also at National Institute of Physics, University of the Philippines Diliman (Philippines); Philippines.

^{ao} Also at Ochanomizu University, Otsuka, Bunkyo-ku, Tokyo; Japan.

^{ap} Also at School of Physics and Astronomy, University of Birmingham, Birmingham; United Kingdom.

^{aq} Also at School of Physics and Astronomy, University of Manchester, Manchester; United Kingdom.

^{ar} Also at SUPA - School of Physics and Astronomy, University of Glasgow, Glasgow; United Kingdom.

^{as} Also at Technical University of Munich, Munich; Germany.

^{at} Also at The Collaborative Innovation Center of Quantum Matter (CICQM), Beijing; China.

^{au} Also at TRIUMF, Vancouver BC; Canada.

^{av} Also at Università di Napoli Parthenope, Napoli; Italy.

^{aw} Also at University of Colorado Boulder, Department of Physics, Colorado; United States of America.

^{ax} Also at Washington College, Chestertown, MD; United States of America.

^{ay} Also at Yeditepe University, Physics Department, Istanbul; Türkiye.

* Deceased