

OPEN ACCESS

The HERSCHEL detector: high-rapidity shower counters for LHCb

To cite this article: K. Carvalho Akiba *et al* 2018 *JINST* **13** P04017

View the [article online](#) for updates and enhancements.

Related content

- [The beam and detector of the NA62 experiment at CERN](#)
E. Cortina Gil, E. Martín Albarrán, E. Minucci *et al.*
- [Performance of the LHCb Vertex Locator](#)
R Aaij, A Affolder, K Akiba *et al.*
- [Precision luminosity measurements at LHCb](#)
The LHCb collaboration

The HERSCHEL detector: high-rapidity shower counters for LHCb

K. Carvalho Akiba,^a F. Alessio,^b N. Bondar,^{b,c} W. Byczynski,^b V. Coco,^b P. Collins,^b R. Dumps,^b R. Dzhelyadin,^d P. Gandini,^e B.R. Gruber Cazon,^e R. Jacobsson,^b D. Johnson,^{b,1} J. Manthey,^b J. Mauricio,^f R. McNulty,^g S. Monteil,^h B. Rachwal,ⁱ M. Ravonel Salzgeber,^b L. Roy,^b H. Schindler,^b S. Stevenson^e and G. Wilkinson^e on behalf of the LHCb collaboration

^aUniversidade Federal do Rio de Janeiro (UFRJ), Rio de Janeiro, Brazil

^bEuropean Organization for Nuclear Research (CERN), Geneva, Switzerland

^cPetersburg Nuclear Physics Institute (PNPI), Gatchina, Russia

^dInstitute for High Energy Physics (IHEP), Protvino, Russia

^eDepartment of Physics, University of Oxford, Oxford, United Kingdom

^fFQA, ICC, Universitat de Barcelona, Avinguda Diagonal 647, Barcelona, Spain

^gSchool of Physics, University College Dublin, Dublin, Ireland

^hClermont Université, Université Blaise Pascal, CNRS/IN2P3, LPC, Clermont-Ferrand, France

ⁱAGH - University of Science and Technology, Faculty of Physics and Applied Computer Science, Kraków, Poland

E-mail: daniel.johnson@cern.ch

ABSTRACT: The HERSCHEL detector consists of a set of scintillating counters, designed to increase the coverage of the LHCb experiment in the high-rapidity regions on either side of the main spectrometer. The new detector improves the capabilities of LHCb for studies of diffractive interactions, most notably Central Exclusive Production. In this paper the construction, installation, commissioning, and performance of HERSCHEL are presented.

KEYWORDS: Detector design and construction technologies and materials; Performance of High Energy Physics Detectors

ARXIV EPRINT: [1801.04281](https://arxiv.org/abs/1801.04281)

¹Corresponding author.

Contents

1	Introduction	1
2	Physics motivation: CEP studies at LHCb	2
3	Description of the detector	3
3.1	Layout	3
3.2	Acceptance	4
3.3	Scintillators and photodetectors	4
3.4	Mechanics	6
3.5	Readout and data acquisition	6
4	Detector sensitivity	9
4.1	Response to incident charged particles	9
4.2	Noise	10
4.3	Correlation with other LHCb sub-detectors	11
4.4	Empty-detector signal characterisation	12
5	Impact on physics studies	12
5.1	Efficiency of <code>HERSCHEL</code> in selecting empty events	13
5.2	Study of the performance on continuum-dimuon production	14
5.3	Study of the performance on J/ψ photoproduction	16
6	Employing <code>HERSCHEL</code> in the LHCb trigger	17
7	Conclusion and outlook	17

1 Introduction

`HERSCHEL` (High Rapidity Shower Counters for LHCb) is a system of Forward Shower Counters (FSCs) located in the LHC tunnel on both sides of the LHCb interaction point. It was installed for Run 2 of the LHC, which began in 2015, with the aim of enhancing LHCb's capabilities in diffractive physics, in particular Central Exclusive Production (CEP) analyses [1].

Each FSC comprises a quadrant of scintillator planes equipped with PMTs, which are read out synchronously with the sub-detectors of the LHCb spectrometer. The planes are situated close to the beampipe and detect showers induced by very forward particles interacting in the beampipe or other machine elements [2, 3]. In this manner `HERSCHEL` provides sensitivity to activity at higher rapidities than is available from the other sub-detectors of the experiment. This increased acceptance will be valuable in the classification of different production processes in LHC collisions, for example the isolation of CEP candidates.

This paper is organised as follows. The physics motivation for HERSCHEL is elaborated in section 2. The apparatus is described in section 3, and the calibration procedure and detector sensitivity are discussed in section 4. The improved performance that HERSCHEL brings to CEP analyses is assessed in section 5. The role of HERSCHEL in the LHCb trigger is explained in section 6. Conclusions are drawn in section 7.

2 Physics motivation: CEP studies at LHCb

LHCb is a forward spectrometer with tracking, particle identification and calorimetry extending to a pseudorapidity of $\eta \sim 5$ [4]. The upstream stations of the silicon-strip vertex detector (VELO) provide sensitivity to charged particles down to $\eta \sim -3.5$ in the backward hemisphere. Although the design of LHCb was optimised for studies of heavy-flavour hadron decays, its operating conditions and sensitivity to low transverse-momentum (p_T) particles make it ideally suited to measurements of CEP processes.

In CEP interactions at the LHC a central system of one or more particles is formed as the result of pomeron or photon exchange. The beam protons survive the collision intact, remaining undetected inside the beampipe. As an example, the Feynman diagram for the CEP formation of a J/ψ meson is shown in figure 1. The low multiplicity of the final state and the absence of activity, or large ‘rapidity gap’, either side of the central system provides a distinctive signature of the CEP process. In practice, this signature can only be exploited by the current LHCb trigger in beam crossings where there are no additional interactions. The fraction of single interaction events within the acceptance of the LHCb spectrometer is relatively large during normal operation, being approximately 37% in 2015. Contamination to the signal selection arises, however, from inelastic interactions in which one or both protons disassociate, or gluon radiation accompanies the pomeron or photon exchange, processes that are also displayed in figure 1. In these cases additional hadrons are produced at high rapidities, which generally means that they fall outside the acceptance of the sub-detectors of the spectrometer.

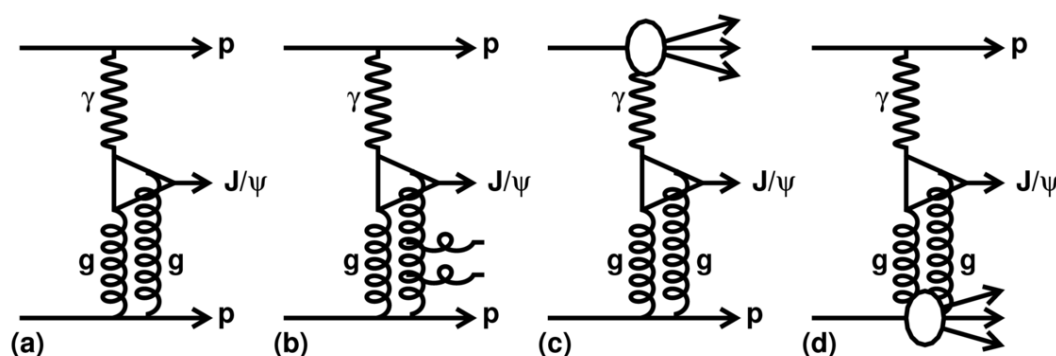


Figure 1. Feynman diagrams of diffractive-production mechanisms of J/ψ mesons at the LHC, where the double gluon system being emitted from the beam proton constitutes the pomeron. (a) is the pure CEP process, (b) has additional gluon radiation, and (c) and (d) involve proton dissociation. Reproduced from [5]. © IOP Publishing Ltd. CC BY 3.0.

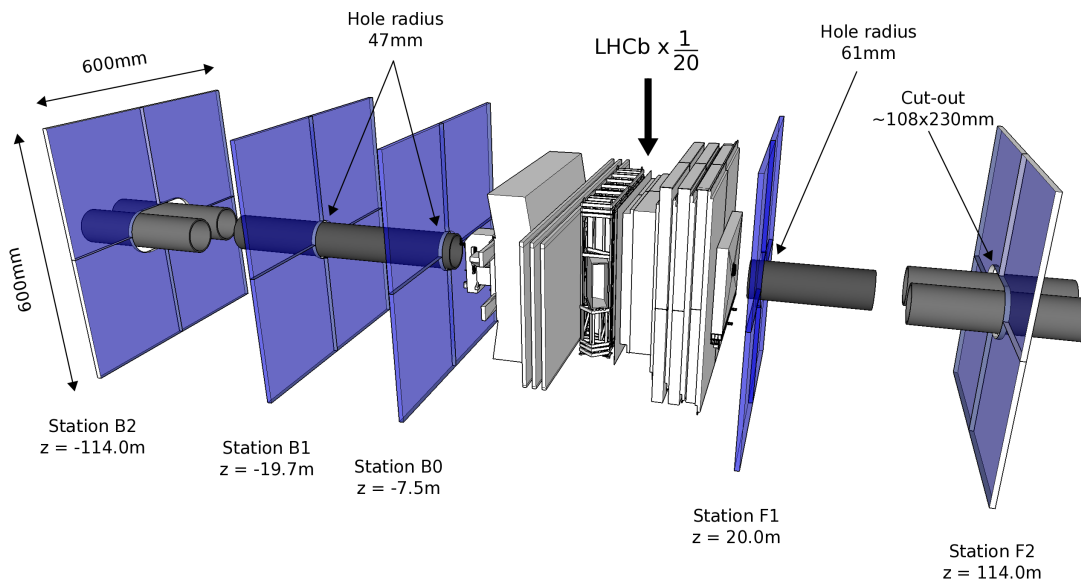


Figure 2. Layout of the active areas of the HERSCHEL stations around the LHCb interaction point (IP8), where for illustration the HERSCHEL stations have been magnified by a factor of 20 with respect to the rest of the LHCb detector. z -axis not to scale.

LHCb has published studies of exclusive J/ψ , $\psi(2S)$ [5–7] and Υ [8] production based on the Run-1 data set. The background from inelastic events in which high rapidity particles were undetected in the spectrometer was estimated by fits to the p_T^2 spectra of the candidates. The expected distribution of CEP signal peaks at $p_T^2 \sim 0$, although the exact distributions of signal and non-exclusive background depend on model-based assumptions. Using this approach, the typical purity of the selection was determined to be 50–60%.

The sensitivity that HERSCHEL provides for high-rapidity particles will enable the contamination from inelastic events in the CEP selection to be suppressed. Information from HERSCHEL will typically be deployed in a veto mode. The absence of any significant activity in the FSCs will be used to confirm the existence of a rapidity gap extending beyond the spectrometer acceptance, and to add confidence to the central-exclusive hypothesis of CEP candidates. In this manner the purity of the CEP selection will be improved, and the systematic uncertainties associated with the modelling of the residual background can be reduced.

The information provided by HERSCHEL will be beneficial for other analyses in which rapidity gaps are an important signature, for example the study of single-diffractive events. It can also be used as a counter of general inelastic activity, which has applications in the luminosity determination.

3 Description of the detector

3.1 Layout

In the LHCb coordinate system the z -axis points from the LHCb interaction point (IP8) towards the muon chambers and is collinear with the nominal beam line. As shown schematically in figure 2, the HERSCHEL system comprises three stations at negative z , known as ‘backward’ or ‘B’ stations, and two stations at positive z , known as ‘forward’ or ‘F’ stations.

The station closest to the interaction point, named ‘B0’, is located at $z \sim -7.5$ m, next to the MBXWH compensator dipole. The next closest stations are ‘B1’ and ‘F1’, located at $z \sim -19.5$ m and $z \sim 20$ m, respectively, in the proximity of the MBXWS corrector dipoles. The most distant stations, ‘B2’ and ‘F2’, are located at $z \sim \pm 114$ m, close to the point at which the vacuum chamber splits into two separate chambers, one for each beam.

The active element of each station is a plastic scintillator plane with outer dimensions of $600 \text{ mm} \times 600 \text{ mm}$, centred around the beam line. The shape and dimensions of the inner opening depend on the local vacuum chamber layout. Stations B0, B1, and F1 have circular holes with radii of 47 mm (B0, B1) and 61 mm (F1), respectively. For stations B2 and F2, the inner opening has a half-width of 115 mm in the horizontal direction (to encompass the two vacuum chambers), and a half-width of 54 mm in the vertical direction.

3.2 Acceptance

Stations B0, B1, and F1 are intended to register the showers produced by high-rapidity collision products crossing the beam pipe inside or close to the MBXWH and MBXWS magnets (which constitute local aperture restrictions). Stations B2 and F2 are intended to detect showers from high-rapidity neutral particles interacting with the copper absorber block of the LHC collision rate monitors (BRAN [9]), which are located close to and in front of these HERSCHEL stations.

In order to validate the detector concept and to determine the acceptance, the expected activity in the HERSCHEL stations was simulated using the GAUSS simulation framework [10], generating minimum bias events using PYTHIA 8 [11] and transporting the emerging final-state particles through the detector and tunnel geometry using GEANT4 [12, 13].

The simulations confirm that the signal in the HERSCHEL stations is dominated by energy deposits from low-energy electrons and positrons produced in the showers induced by high-rapidity particles interacting with machine elements close to the scintillators. Figure 3 illustrates the angular coverage, showing the pseudorapidity of the particles produced in pp collisions where the contribution from each particle is weighted by the corresponding energy deposit in the scintillators. The asymmetry between the distributions for B1 and F1 is a consequence of the asymmetric beam pipe layout on the two sides of the LHCb interaction point, leading also to the different hole radii for the B1 and F1 counters shown in figure 2. The HERSCHEL stations are seen to add detector acceptance from five up to nearly ten pseudorapidity units.

3.3 Scintillators and photodetectors

Each station is segmented into four quadrants, i.e. four scintillator plates read out by separate PMTs. The scintillator plates are 20 mm thick and are manufactured from EJ-200¹ plastic scintillator material, with a rise time of 0.9 ns and a decay time of 2.1 ns. Plexiglass light guides of fishtail type are glued to one side of the scintillator plates, providing a transition between the rectangular cross-section of the scintillators and the circular cross-section of the PMT (figure 4, left). For safety reasons² and to prevent external light leaking in, the scintillators and light guides are covered by thin aluminium sheets.

¹Eljen Technology, Sweetwater, Texas, United States (<http://www.eljentechnology.com>).

²Polyvinyltoluene emits dense black smoke when burning without sufficient oxygen.

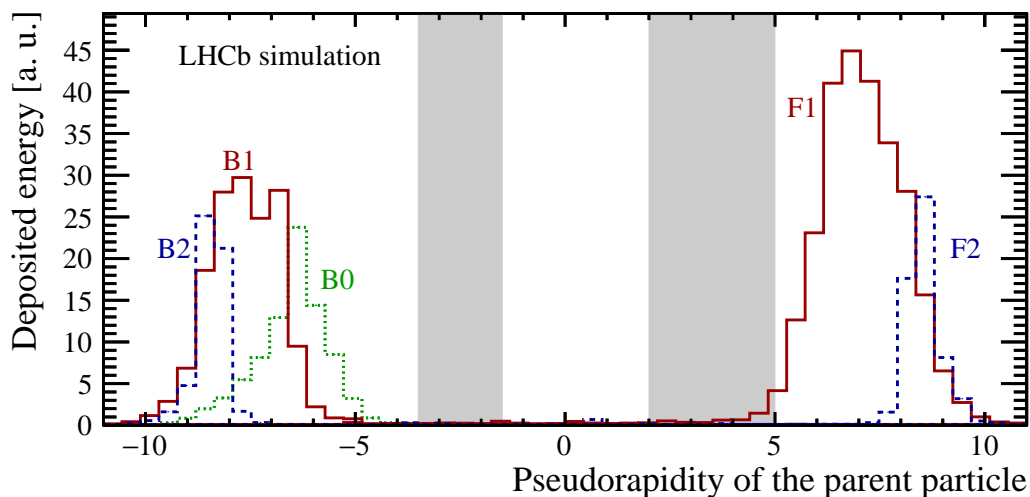


Figure 3. Energy deposit in the scintillators as a function of the pseudorapidity of the parent particle that caused the shower. The grey areas indicate the nominal pseudorapidity coverage of LHCb.



Figure 4. Schematic design of the scintillator and light guide of a single quadrant of B0/B1-type (47 mm inner radius), accompanied by a photograph of a B2/F2-type quadrant with the PMT and ‘clipping cable’ attached.

Each light guide is coupled to a Hamamatsu³ R1828-01 2'' PMT. This PMT is a suitable choice because of its relatively fast rise time of 1.3 ns and its large range of gain adjustment.

A general requirement for the stable operation of a PMT is that the resistive divider current exceed the average anode current by a factor of at least 10–20. The R1828-01 PMT is rated for a maximum average anode current of 200 μA , and the voltage divider should thus drain about 2–4 mA at the relatively low gain ($\sim 10^3$ – 10^4) used in operation. This is achieved by a custom-made divider that provides an extra bias current to the last set of dynodes, allowing the initial current through the

³Hamamatsu Photonics K. K., Hamamatsu City, Japan (www.hamamatsu.com).

divider to be restricted, while ensuring that there is enough current provided in the vicinity of the anode during nominal operation.

The use of Zener diodes for some of the stages allows a stable voltage to be maintained for the last dynodes at a high current drain. The two voltages for each PMT (bias and high voltage) are supplied from CAEN⁴ A1535 and A1538D modules located on the accessible side of the LHCb cavern.

A short coaxial cable terminated with a resistor-capacitor chain is connected in parallel to the signal cable at the output of the PMT to ‘clip’ the tail of the signal and thus ensure that the pulse width is less than 25 ns. A complete assembly of scintillator, light guide and PMT is shown in figure 4 (right).

The PMT signals are transmitted to the readout electronics located in the LHCb cavern using low-loss coaxial cables (C-50-11-1). The length of these cables ranges between 137 m (for station B2), corresponding to a signal attenuation of 15%, and 15.4 m (for station B0), corresponding to an attenuation of 5%.

3.4 Mechanics

Each photodetector is mounted in a steel housing, including a shielding tube that provides protection against magnetic fields up to approximately 0.1 T. The detectors are mounted on mechanical supports manufactured from standard aluminium Bosch profiles. The stations are equipped with a remote-controlled, pneumatic motion system, illustrated in figure 5, which allows the scintillators to be retracted from the high-fluence region close to the vacuum chamber whenever they are not required for data-taking for an extended period of time. Figures 6 and 7 show photographs of the shower counter stations as installed in the LHC tunnel.

3.5 Readout and data acquisition

In order to minimise the development cost and to ease the integration with the LHCb data acquisition and trigger system, HERSCHEL makes use of the electronics of the LHCb preshower system [14], comprised of a very-front end (VFE) board, a front-end board (FEB), and a calorimeter readout card (CROC). The FEB and CROC are housed in a front-end crate (VME 9U card cage with a W-IE-NE-R⁵ MARATON power supply and a backplane specific to the LHCb calorimeter system). Two front-end crates are installed in the LHCb cavern, one for each side. Figure 8 gives an overview of the readout chain components and connections.

The multi-anode photomultipliers of the preshower system are connected directly to the VFE board, whereas in HERSCHEL the signals are transmitted over long coaxial cables. A dedicated adapter board was therefore developed for HERSCHEL which receives the signal from the PMTs and adapts it to the input requirements of the VFE board. Each channel of the VFE board has two multiplexed differential integrators running at 20 MHz allowing the VFE channel reading even-numbered bunch crossings an empty, relaxation period while the other channel reads out, and vice-versa. The integrated analogue signal is sent to the FEB which digitises it with a 10-bit ADC and distributes it to the data acquisition and trigger paths. The digitised data are stored in looping

⁴CAEN S. p. A., Viareggio, Italy (<http://www.caen.it/>).

⁵W-IE-NE-R, Plein & Baus, Burscheid, Germany (www.wiener-d.com).

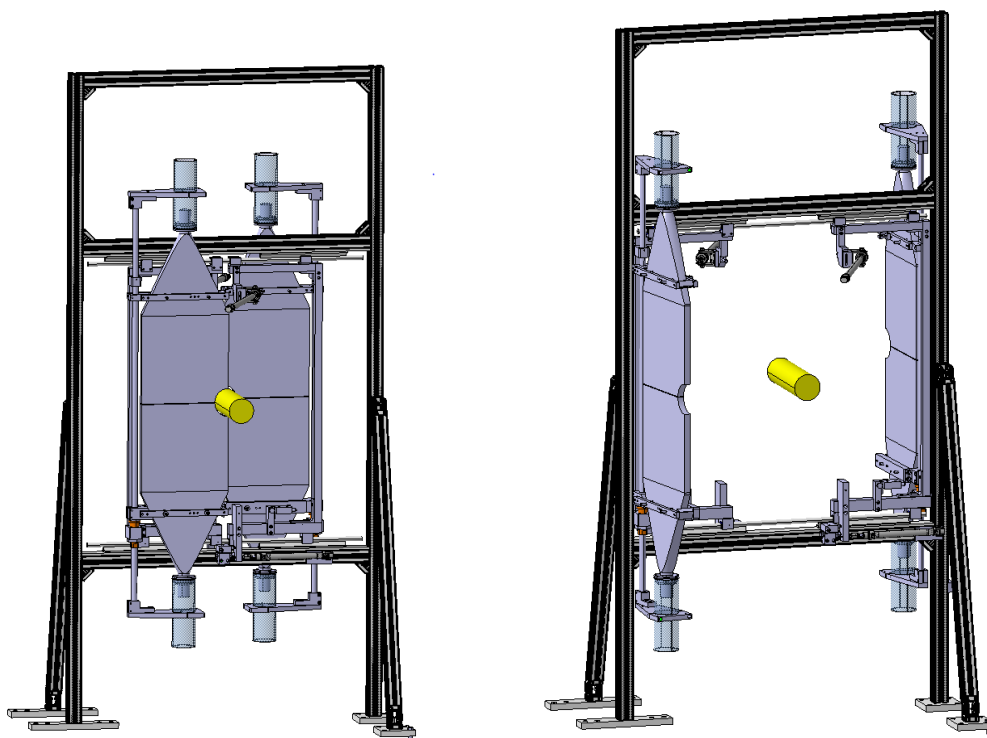


Figure 5. Visualisation of a HERSCHEL station in its nominal data-taking position and in its parking position, when the detectors are retracted and rotated.



Figure 6. Photographs of the backward HERSCHEL stations B0, B1, and B2, respectively.

RAMs with a depth of 256 cycles, in groups of four channels. The fine delay of the integration and sampling clock can be adjusted in steps of 0.78 ns in order to maximise the signal and minimise the contamination from signal in pp crossings preceding and following the one of interest.

On a positive decision from the global LHCb hardware trigger (L0), the data from each station are sent from the corresponding RAM depth. This allows for the data from the different stations,

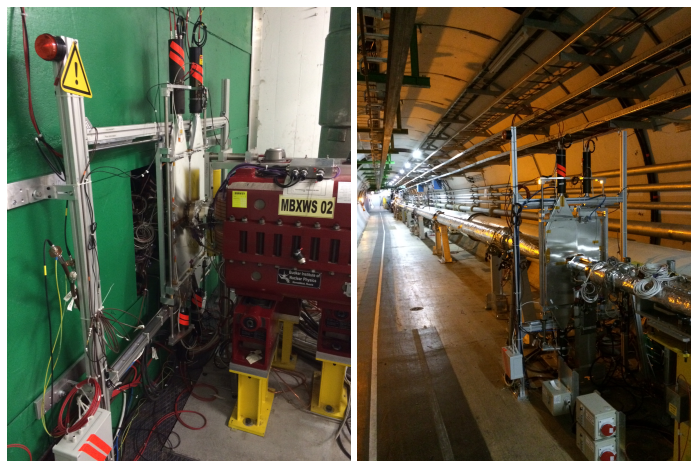


Figure 7. Photographs of the forward HERSCHEL stations F1 and F2, respectively.

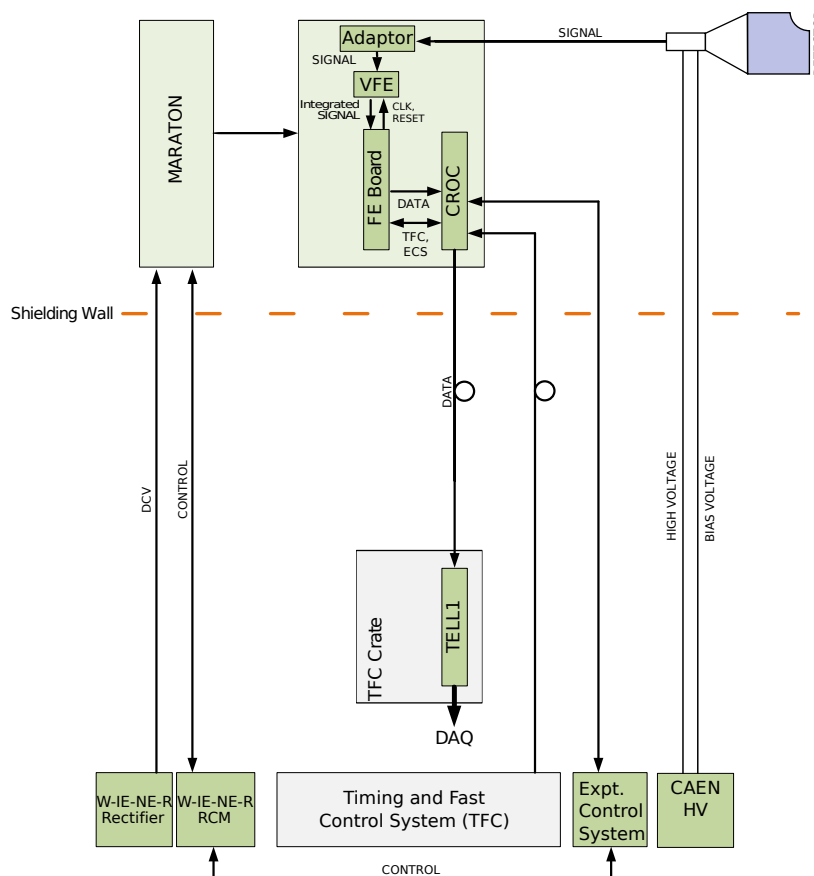


Figure 8. Block diagram of the readout, powering, and control of the FSC detectors. The diagram shows only one quadrant and one of the two front-end crates.

which acquire up to 750 ns relative delays due to the different station positions, to be synchronised with the global LHCb bunch counter. The digitised signals are sent to the CROC via the crate backplane. The CROC plays a dual role. Firstly, it is responsible for the control and monitoring of

the front-end crate. It receives the timing and fast control (TFC) information and distributes it on the backplane to the FEB. The interface to the Experiment Control System (ECS) is based on the SPECS protocol [15]. The ECS control and monitoring of the FEBs is communicated through the backplane. Secondly, the CROC gathers the front-end data and sends them to the acquisition board (TELL1 [16]) via optical fibres.

4 Detector sensitivity

In the case of a single CEP interaction, the produced central system may be reconstructed inside the standard LHCb acceptance and will be accompanied by no other activity within the main detector. For this signal no activity is expected in the HERSCHEL system. In the case of non-exclusive processes additional particles are produced together with the CEP candidate. These particles lead to activity being registered in HERSCHEL. In this section the sensitivity of HERSCHEL to charged-particle activity is considered. Steps taken to minimise noise in order to maximise sensitivity are described. Finally the characteristic response of the detector in the absence of additional particle activity is presented. This ‘empty detector’ signal is the expected response in the case of a single CEP interaction in a pp bunch crossing.

4.1 Response to incident charged particles

The detector response to charged particles has been calibrated in the laboratory, prior to installation, using cosmic muons. To achieve sensitivity to single incident particles, the voltage applied to the PMT was set to 1.1 kV. Later, the PMT gain as a function of the applied high voltage has been measured using LED light pulses. Using these measurements the signal per charged particle is determined as a function of the applied high voltage. This is shown in figure 9(a) for one quadrant of station B0.

Figure 9(b) shows the response (analogue pulse shape) of one of the quadrants of station B0, recorded using a digital oscilloscope during LHC injection tests in November 2014. In these tests, proton beams were extracted from the Super Proton Synchrotron (SPS) and dumped on an absorber (named TED) located approximately 340 m away from the LHCb interaction point, generating a shower of secondary particles at small angles with respect to the beam line.

At the beginning of the 2015 data-taking period, the high-voltage settings were configured such that an energy deposit in the scintillator corresponding to one minimum ionising particle (MIP) resulted in a digitised signal between two and five ADC counts. These settings were kept throughout 2015.

Irradiation leads to a reduction in attenuation length of scintillators and light guides and consequently to a loss of signal. In order to quantify the average signal, the tail of the ADC spectrum above the pedestal (see, for example, figure 13) is fitted with an exponential distribution, and the mean of the fitted function is used as a metric of the average signal. The ageing process is illustrated in figure 10 which shows the average signal per pp collision in the quadrants of station B0 as a function of the integrated luminosity in LHCb. The PMTs of this station were operated at a high voltage of 830–850 V, depending on the quadrant. The average signal corresponded to the equivalent of ~ 72 –95 MIPs at the beginning of the data-taking period and degraded to the equivalent of ~ 35 –40 MIPs at the end of 2015.

In 2016 and 2017, the high-voltage settings were updated regularly to compensate for the increasing loss of photoelectrons due to radiation damage. For example, the high voltages of station B0 were set to $\sim 830 - 860$ V at the beginning of the 2016 data-taking period and were raised gradually up to $\sim 880 - 920$ V at the end of 2016. The increase in high voltage did not lead to a significant change of the dark count rate.

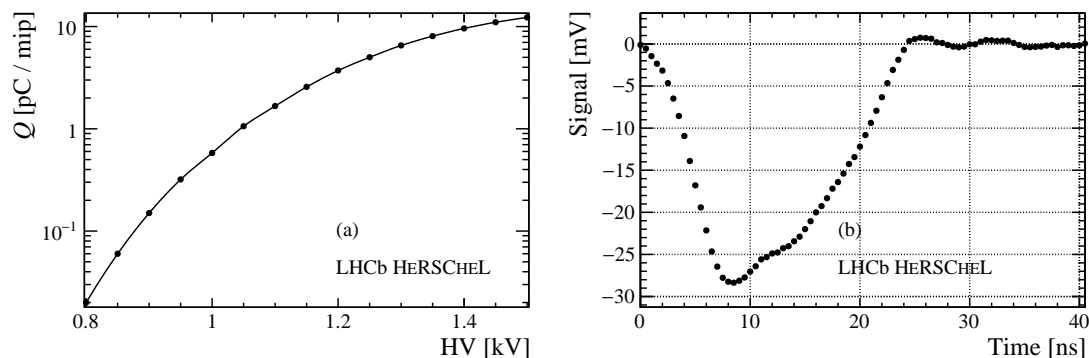


Figure 9. (a) shows the signal per particle as a function of PMT high voltage for one of the quadrants of station B0. The absolute scale is determined using measurements with cosmic muons, and the evolution with high voltage using a pulsed LED setup. The analogue signal of one quadrant of station B0, recorded during injection tests (‘TED shots’) in November 2014, is shown in (b).

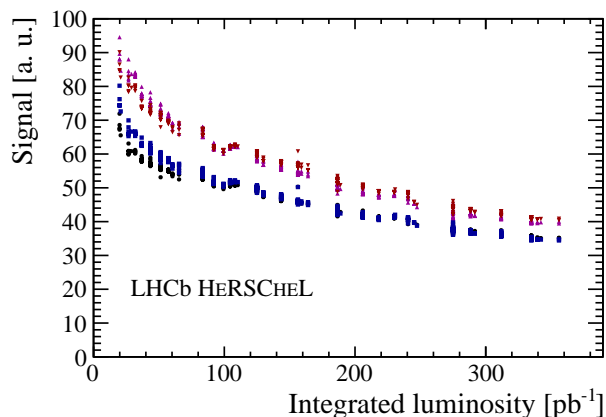


Figure 10. Average signal in pp collisions as a function of integrated luminosity in 2015, for the four quadrants of station B0. The high-voltage settings were kept the same throughout the entire 2015 data-taking period.

4.2 Noise

For data collected during 2015 a significant common-noise component was found between the detector channels within each station, arising either from interference induced in the cables passing along the tunnel, or in the front-end electronics. This common noise has been studied by considering the correlation between the signal from each input channel and one spare cable for each station,

placed next to the signal cables in the tunnel and connected to the readout electronics but left unconnected at the detector end.

The correlation between the signal and spare cables has been studied using data collected during special calibration runs at the end of each fill, once the beams have been dumped. An example of the observed correlation is shown for one channel in figure 11. The common noise is then subtracted offline according to the correlations observed in each fill, and the ADC distribution is shifted to be centred at zero.

The adaptor board was replaced at the end of 2015 operation to employ a less noisy input-matching mechanism. Although data taken during 2016 have not been studied in depth yet, the uncorrected pedestal is seen to be much narrower than that observed in 2015, and no offline noise subtraction is required. The RMS for each channel in end-of-fill data is shown in figure 11, comparing the raw 2015 signal with that after the calibration has been applied, as well as demonstrating the much less noisy raw signal from 2016.

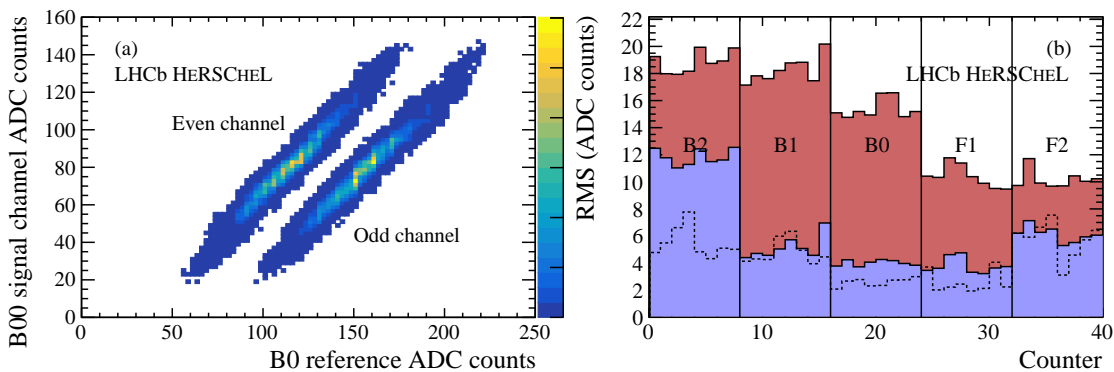


Figure 11. Subtraction of common noise. (a) illustrates the correlated noise for the two integrator channels reading out one detector quadrant on station B0 in 2015 end-of-fill data, with respect to the signal in the spare cable (B0 reference), not connected at the detector end. (b) compares the raw signal in end-of-fill data taken during 2015 (red/darker filled histograms) with that after common-noise subtraction (blue filled histogram) and the raw signal RMS with the new adaptor board in 2016 (dashed histogram). Each station houses four PMTs, read out via the dual-channel VFE board, and there are therefore eight channels to consider for each station. The relatively large contribution of uncorrelated noise to the signal in the B2 station was the result of imperfect grounding; this was resolved at the end of 2015.

4.3 Correlation with other LHCb sub-detectors

An important confirmation of the detector’s successful operation is the observation of correspondence between activity registered in other LHCb sub-detectors and that in the HERSCHEL scintillators. In figure 12 the sum of the ADC counts from all the stations on each side is shown in the two cases that there are small or large numbers of tracks reconstructed on the corresponding side of the interaction point. For comparison with the B-side HERSCHEL response, only ‘backward’ tracks, leaving deposits in the VELO modules behind the interaction point and therefore reconstructed using only that sub-detector, are considered. To compare with the F-side HERSCHEL response, only ‘long tracks’ are employed, where these tracks are reconstructed using deposits in the VELO

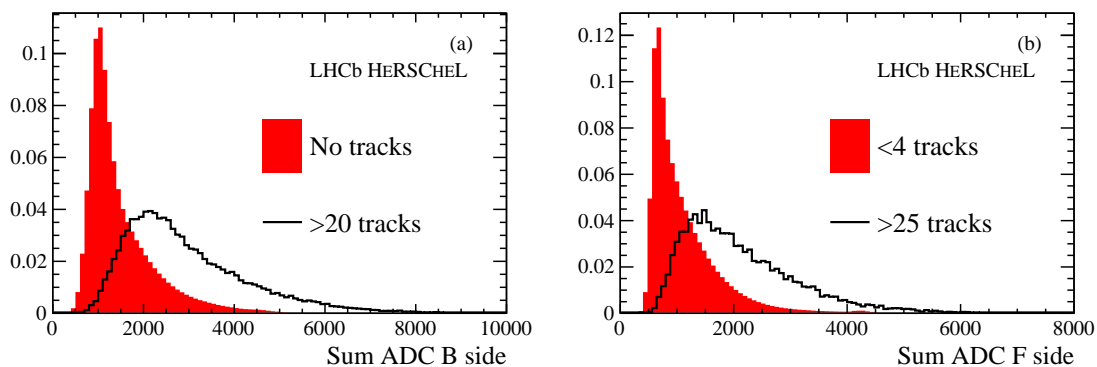


Figure 12. Correlation between sum of raw HERSCHEL ADC counts on (a) the B side and (b) the F side of the interaction point, with reconstructed tracks on the same side.

modules around the interaction point and the tracking stations further downstream. As expected, more activity is seen in the HERSCHEL counters when more tracks are reconstructed.

4.4 Empty-detector signal characterisation

In this section the expected response of the detector is presented in the case that a single CEP interaction occurs during a pp crossing. For illustration figure 13 shows the signal recorded in one counter at each of the five HERSCHEL detector stations, for an arbitrary sample of pp collision events selected by the LHCb trigger. The two principal features of the distribution are the large portion of events around zero ADC counts in each counter, corresponding to an absence of activity, and a long tail to higher numbers of ADC counts, corresponding to significant activity in the counters.

Protons circulating in the LHC are distributed in bunches, separated from one another by 25 ns. Bunches are collected into ‘trains’ by virtue of the injection procedure, separated by gaps. A 25 ns window within which proton bunches cross in LHCb is referred to as a ‘bunch crossing’. Whilst the dominant contribution to the HERSCHEL empty-detector signal is electronic noise, secondary contributions arise as the result of activity in nearby crossings which spill into the 25 ns time interval of the triggered crossing. The largest of these secondary contributions is the residual impact on detector electronics of successive large signals in the detector, during a train of proton-proton crossings in the LHC. It is found that the signal recorded in the counters in the window immediately after such a train, where no particle activity can be present, provides a good description of the empty-detector region of the ADC response, as in the case of a CEP interaction. This ADC response for each of the example counters is also shown in figure 13.

5 Impact on physics studies

In the case of a single CEP interaction in a pp crossing, no activity is expected in the HERSCHEL detector other than that described in section 4.4. In this section a metric is presented, employing information from all counters in the HERSCHEL detector, that can be used to discriminate between the empty-detector signal and the increased activity associated with background processes. The efficiency of this metric in selecting CEP signal is measured using CEP production of continuum-

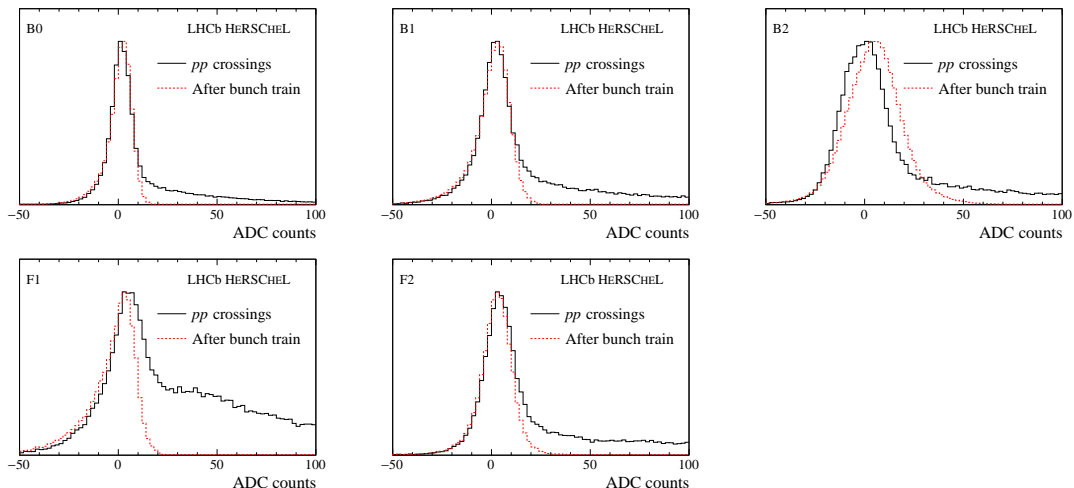


Figure 13. Activity registered, after calibration, in one integrator attached to one counter for each HERSCHEL detector station during beam-beam crossings in the solid histogram, showing only the range up to 100 ADC counts. The empty-detector signal recorded after a bunch train is represented by the dotted histogram.

dimuon pairs, an abundant process that can be rather easily identified without HERSCHEL information. The effectiveness of the same metric in suppressing non-CEP background is determined. Finally the impact of using HERSCHEL information in the measurement of exclusive photoproduction of J/ψ mesons, that can be considered a benchmark for other CEP processes, is considered.

5.1 Efficiency of HERSCHEL in selecting empty events

In order to construct a quantity that combines the responses of all twenty counters comprising the HERSCHEL detector effectively, it is beneficial to account for the characteristic distribution of the empty-detector signal in each counter. Examples of this empty detector signal have been discussed in section 4.4. The most natural way to combine the activity in all the HERSCHEL detectors is to construct a χ^2 quantity, ξ_{HRC} , such that values of ξ_{HRC} close to zero correspond to events with little or no activity in all the HERSCHEL counters, as expected in the case of a single CEP interaction, and high values of ξ_{HRC} correspond to events where the counter activity is elevated, as expected for non-CEP background. In order to construct such a χ^2 it is necessary to account for two effects. Firstly the non-Gaussian distribution of the empty detector HERSCHEL signals, as displayed in figure 13, must be accounted for. Secondly it is required to consider the correlation in the activities recorded in the different quadrants of the HERSCHEL stations, even between the different stations on each side, given the overlap in acceptance shown in figure 3. Both these effects have been studied in events recorded immediately after a series of pp bunch crossings in the LHC. A single χ^2 quantity, ξ_{HRC} , is constructed to quantify the activity above the noise in all the counters, taking account of correlations between the counters.

The distribution of the HERSCHEL metric, $\ln(\xi_{\text{HRC}})$, is shown in figure 14 for the sample of events immediately after a bunch train discussed in the previous section. Since these events represent the activity expected in HERSCHEL for CEP processes, the efficiency for these events to survive an upper limit on $\ln(\xi_{\text{HRC}})$ is also indicated.

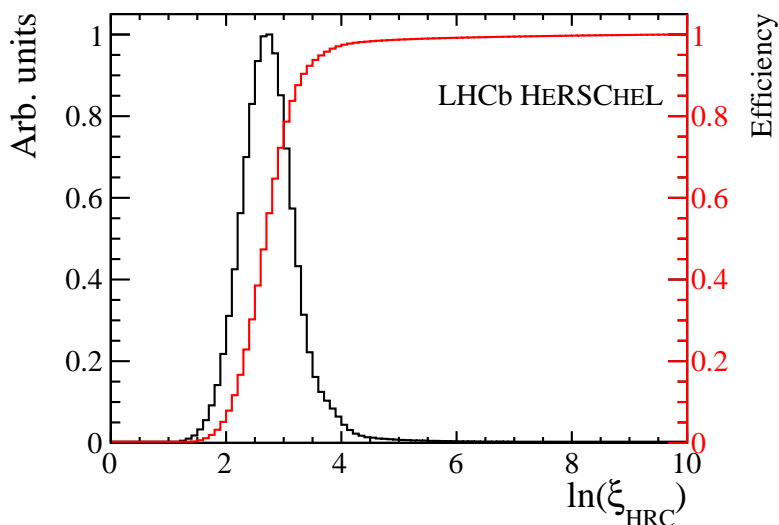


Figure 14. Distribution of HERSCHEL metric for events immediately following a bunch train (black line), representative of the response of the detector to CEP signal. The efficiency for an upper limit on the metric for retention of these events is also shown (red line).

5.2 Study of the performance on continuum-dimuon production

In order to enhance the CEP candidates in an event sample, an upper limit on ξ_{HRC} should be chosen. Continuum-dimuon production, an abundant CEP process with a comparatively clear experimental signature, is used to assess the efficiency of such a limit. This process takes place by two-photon exchange between the protons, and results in a very soft spectrum in p_{T}^2 for the dimuon system. By analysing the p_{T}^2 spectrum of the dimuon candidates the CEP component may be reliably isolated.

A sample of dimuon candidates is selected in data collected during 2015. The fraction of single-interaction CEP candidates within this sample, originating from an event where only a single pp interaction is detected, is enhanced by making standard trigger requirements and imposing limits on the activity in the other LHCb sub-detectors. Specifically only events with exactly two tracks, satisfying standard LHCb muon-identification requirements, are allowed in this two-track sample. The invariant mass of the candidate, shown in figure 15(a), is chosen to exclude regions of resonant production, which proceeds by a different CEP mechanism and does not have the same p_{T}^2 distribution. The p_{T}^2 distribution of the sample is shown in figure 15(b). On figure 15(b) a second distribution has been superimposed corresponding to the p_{T}^2 distribution for dimuon candidates selected in the same way, but where one additional VELO track is required. This category of events is unlikely to be CEP and thus in the case that an additional VELO track is detected, this provides a representation of the background distribution. This distribution is normalised such that the number of background candidates above $0.75 \text{ GeV}^2/c^2$ matches the number for the same range in the two-track sample. The very low p_{T}^2 region, where continuum-dimuon CEP is expected to be concentrated, is magnified in the inset histogram.

These samples are used to obtain the response of the HERSCHEL metric to exclusive continuum-dimuon production. The distribution of the natural logarithm of ξ_{HRC} in the background sample is represented by the dashed line in figure 16(a). To visualise the $\ln(\xi_{\text{HRC}})$ response for CEP signal, the

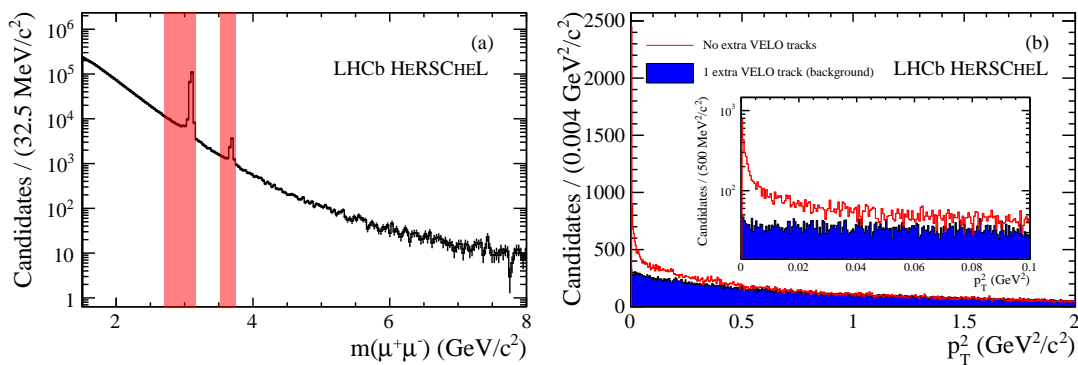


Figure 15. Selected continuum-dimuon sample. In (a) is shown the invariant mass distribution of dimuon candidates. The shaded regions of resonant production are excluded. In (b) is shown the full p_T^2 distribution of the selected dimuon candidates. Since the signal is expected to be concentrated chiefly below $0.1 \text{ GeV}^2/c^2$, the candidates below this threshold are shown in the inset histogram. For both regions, an additional histogram is superimposed, corresponding to the distribution of candidates in a background sample.

distribution is first obtained for dimuon candidates with p_T^2 below $0.1 \text{ GeV}^2/c^2$ in the signal sample. The background shape can be subtracted from this distribution according to the number of events in the background sample, again normalised in the high- p_T^2 region. The signal response is shown as the solid line in figure 16(a). It is interesting to note that the background sample has a peak at low values of $\ln(\xi_{\text{HRC}})$, a feature which can be explained by the presence of background where all additional activity associated with, for example, proton dissociation lies outside the HERSCHEL acceptance. The significant tail in HERSCHEL activity seen even for ‘CEP signal’ appears because, although the activity in the LHCb spectrometer is consistent with only one visible pp interaction there, a second pile-up interaction may still occur producing activity only in the geometrical acceptance covered by the HERSCHEL detector.

In order to obtain the signal efficiency of a given limit on activity in the HERSCHEL detector, the continuum-dimuon sample can again be used. This time a fit is performed to the p_T^2 distribution of signal candidates. A template is taken from simulated samples to represent the signal component. Studies of the three-track background sample and other, associated, data sets give confidence that the background component can be well-modelled using a probability density function (PDF) consisting of two exponential shapes. To obtain the efficiency of the HERSCHEL activity limit on the continuum-dimuon CEP signal, the p_T^2 distribution is fit with a PDF containing the signal template and the background model, where the slope parameters of the background exponentials are free to vary along with their relative fraction. One such fit is shown, for illustration, in figure 16(b). The effect on the exclusive-signal yield of changing the HERSCHEL veto is determined and shown in figure 16(c), where the uncertainty is systematically dominated.

It is of interest to consider the effect of the HERSCHEL activity limit on the background component, although it should be noted that the kinematic properties and likely HERSCHEL response to the background are rather specific to the production mode under consideration. The effect of the HERSCHEL activity limit in suppressing the background in this specific sample is also shown in figure 16(c), where the uncertainty receives comparable contributions from statistical and systematic sources.

An illustrative veto on activity in HERSCHEL is chosen, consisting of an upper limit on $\ln(\xi_{\text{HRC}})$ at 4.9. The signal efficiency for continuum-dimuon production at this working point is 84% according to figure 16(c) and, as seen in the same study, 65% of the background is rejected. It is clear from figure 14 that the intrinsic HERSCHEL efficiency for selection of empty events at this working point is nearly 100%. The difference between the empty-event selection efficiency and the measured efficiency for selection of CEP continuum-dimuon candidates arises because a limit on activity in the HERSCHEL detector also suppresses events where additional, pile-up pp interactions take place. Such additional pile-up pp interactions, if the resulting particle production escapes the standard spectrometer acceptance but enters the HERSCHEL detector, would be likely to produce a background-like signature in some fraction of events also containing a genuine CEP candidate.

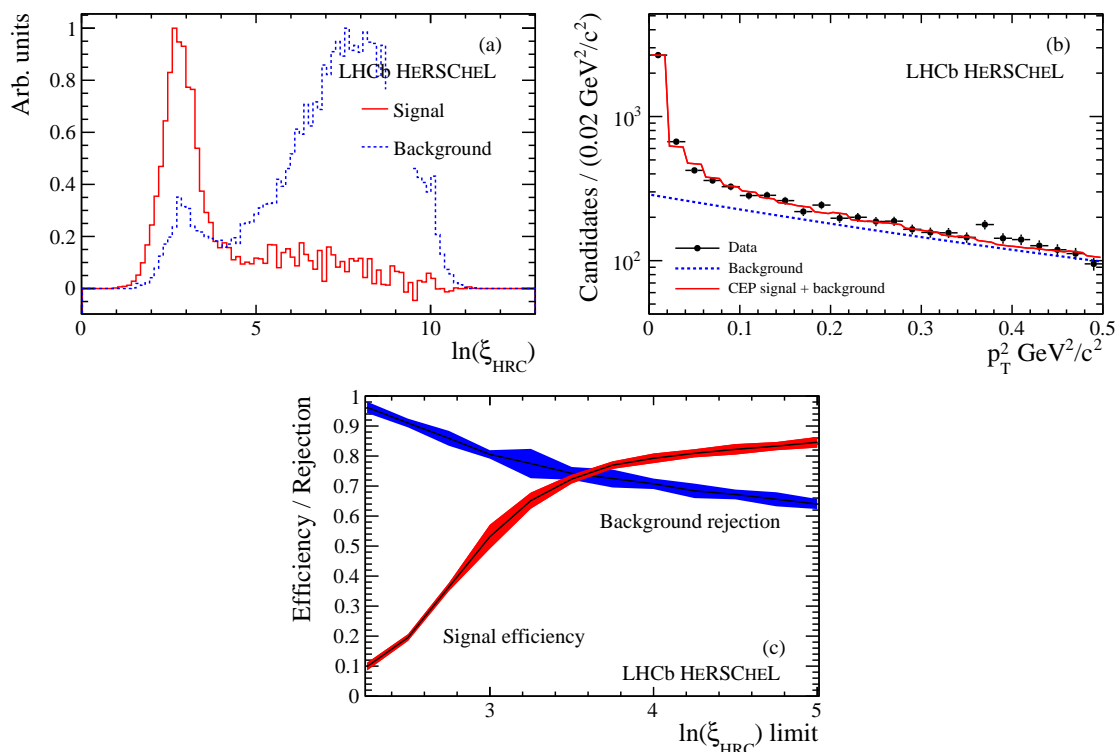


Figure 16. In (a) the distribution of $\ln(\xi_{\text{HRC}})$ is shown for CEP (solid line) and non-CEP (dashed line) continuum-dimuon candidates. In (b) an example fit to the continuum-dimuon p_T^2 distribution is shown, with the CEP signal template and double-exponential background indicated. In (c) the CEP signal efficiency and, for this process, background rejection are shown as a function of the limit chosen on $\ln(\xi_{\text{HRC}})$.

5.3 Study of the performance on J/ψ photoproduction

The effect of the limit placed on ξ_{HRC} can be considered for the case of resonant dimuon production, near the J/ψ mass indicated by the first shaded region in figure 15(a). In this case, the production mechanism is predominantly photoproduction, neglecting a very small contamination from continuum-dimuon production in this region, and the exclusive J/ψ candidate p_T^2 distribution extends to higher values, even up to $1 \text{ GeV}^2/c^2$. The effect of placing a limit on $\ln(\xi_{\text{HRC}})$ of 4.9, chosen to have a signal efficiency of approximately 84% according to the continuum-dimuon studies,

is shown for the distribution of J/ψ candidate p_T^2 in figure 17. The background yield, determined by the number of candidates in the high p_T^2 region above $1 \text{ GeV}^2/c^2$, where little J/ψ CEP signal is expected, is reduced to less than a third of its original value. A similar suppression is expected in the background component at lower p_T^2 , and a corresponding improvement in the signal purity. The background rejection that is achieved at a particular HERSCHEL working point depends on the production process for that background, hence for this process the HERSCHEL cut is more effective in suppressing background than in the continuum-dimuon study.

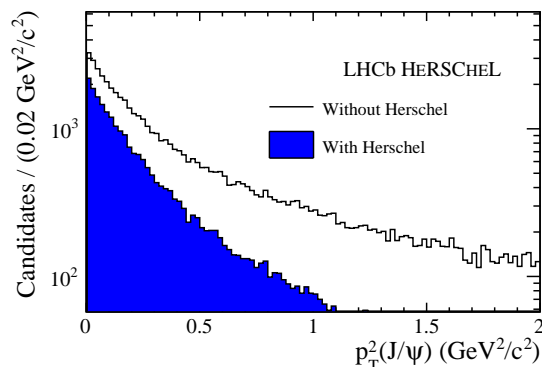


Figure 17. Effect on the p_T^2 distribution of J/ψ CEP candidates of applying a limit of 4.9 on $\ln(\xi_{\text{HRC}})$. This cut is expected to retain close to 100% of CEP signal which have no additional tracks due to pile-up or single diffractive events in the combined LHCb and HERSCHEL geometrical acceptance. This corresponds to about 84% of the events which would be accepted if only the LHCb geometrical acceptance was used. At this working point, the yield of non-CEP J/ψ candidates falls to nearly a third of the original value.

6 Employing HERSCHEL in the LHCb trigger

The LHCb trigger is divided into a low-level hardware trigger and a higher-level software trigger. In 2016 HERSCHEL information was introduced into the software trigger. Specifically, a loose limit is placed on the sum of ADC counts for the counters in each station. The distributions of the sum of ADC counts from each station are shown in figure 18 for events which pass the hardware trigger relevant for hadronic CEP. The portion of the distribution rejected is indicated. This conservative limit, far above the empty-detector portion of the distribution, allows for the trigger rate to be reduced by nearly a factor of two, allowing for other constraints to be relaxed in order to select hadronic CEP signals more efficiently. Work is ongoing to include HERSCHEL information in the hardware trigger.

7 Conclusion and outlook

A new sub-detector has been constructed, installed and commissioned in the LHC tunnel in order to extend the rapidity coverage of the LHCb experiment in the high-rapidity regions either side of the interaction point during Run 2 of the LHC. Five stations have been installed up to a maximum distance of approximately 114 m from the interaction point. The HERSCHEL detector extends the LHCb forward coverage up to a pseudorapidity of around 10.

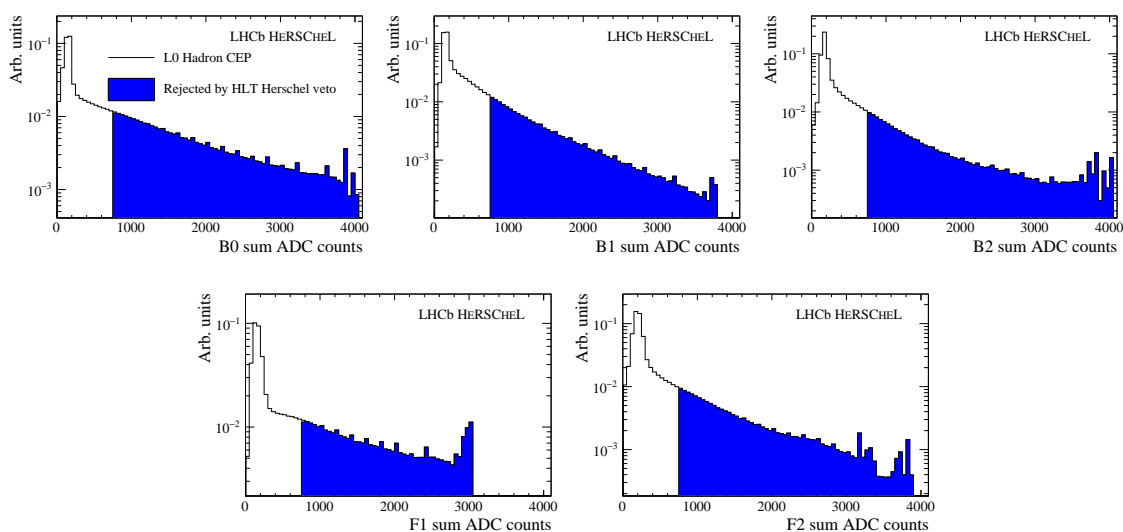


Figure 18. HeRSChEL in the LHCb software trigger. Distributions of the sum of ADC counts recorded by the four counters in each station. The portion of events rejected by the limit in each station is indicated by the filled region.

The physics impact of the new detector has been described; in particular HeRSChEL allows for significant improvement in the suppression of the most problematic backgrounds in studies of Central Exclusive Production at LHCb, whilst maintaining high signal efficiency. The new detector is already in use in the LHCb software trigger for CEP processes, and will be integrated at the hardware level in the L0 trigger chain in the near future.

Acknowledgments

We thank all our LHCb collaborators who have contributed to the design, construction, commissioning, and operation of HeRSChEL, in particular J. Buytaert, P. Dziurdzia, C. Gaspar, A. Granik, Yu. Guz, C. Joram, F. Machefert, P. Robbe, and B. Schmidt. Furthermore we are grateful to J. Bernhard from the COMPASS collaboration who provided us with the PMT housings. We express our gratitude to our colleagues in the CERN accelerator departments for the excellent performance of the LHC. We thank the technical and administrative staff at the authors' institutes. We acknowledge support from CERN and from the national agencies: CAPES, CNPq, FAPERJ and FINEP (Brazil); CNRS/IN2P3 (France); MNiSW and NCN (Poland); MinES and FASO (Russia); MinECo (Spain); STFC (United Kingdom). We acknowledge the computing resources that are provided by CERN, IN2P3 (France), KIT and DESY (Germany), INFN (Italy), SURF (The Netherlands), PIC (Spain), GridPP (United Kingdom), RRCKI and Yandex LLC (Russia), CSCS (Switzerland), IFIN-HH (Romania), CBPF (Brazil), PL-GRID (Poland) and OSC (U.S.A.). We are indebted to the communities behind the multiple open-source software packages on which we depend.

References

- [1] M.G. Albrow, T.D. Coughlin and J.R. Forshaw, *Central Exclusive Particle Production at High Energy Hadron Colliders*, *Prog. Part. Nucl. Phys.* **65** (2010) 149 [[arXiv:1006.1289](#)].
- [2] M.G. Albrow, *Central Exclusive Production at the Tevatron*, *Int. J. Mod. Phys. A* **29** (2014) 1446009 [[arXiv:1409.0462](#)].
- [3] M. Albrow, P. Collins and A. Penzo, *Forward shower counters for diffractive physics at the LHC*, *Int. J. Mod. Phys. A* **29** (2014) 1446018.
- [4] LHCb collaboration, *LHCb detector performance*, *Int. J. Mod. Phys. A* **30** (2015) 1530022 [[arXiv:1412.6352](#)].
- [5] LHCb collaboration, *Exclusive J/ψ and $\psi(2S)$ production in pp collisions at $\sqrt{s} = 7$ TeV*, *J. Phys. G* **40** (2013) 045001 [CERN-PH-EP-2013-005, LHCb-PAPER-2012-044, [arXiv:1301.7084](#)].
- [6] LHCb collaboration, *Observation of charmonium pairs produced exclusively in pp collisions*, *J. Phys. G* **41** (2014) 115002 [CERN-PH-EP-2014-174, LHCb-PAPER-2014-027, [arXiv:1407.5973](#)].
- [7] LHCb collaboration, *Updated measurements of exclusive J/ψ and $\psi(2S)$ production cross-sections in pp collisions at $\sqrt{s} = 7$ TeV*, *J. Phys. G* **41** (2014) 055002 [CERN-PH-EP-2013-233, LHCb-PAPER-2013-059, [arXiv:1401.3288](#)].
- [8] LHCb collaboration, *Measurement of the exclusive $\Upsilon(nS)$ production cross-section in pp collisions at $\sqrt{s} = 7$ TeV and 8 TeV*, *JHEP* **09** (2015) 084 [LHCb-PAPER-2015-011, CERN-PH-EP-2015-123, [arXiv:1505.08139](#)].
- [9] H.S. Matis, M. Placidi, A. Ratti, W.C. Turner, E. Bravin and R. Miyamoto, *The BRAN luminosity detectors for the LHC*, [arXiv:1612.01238](#).
- [10] M. Clemencic et al., *The LHCb simulation application, Gauss: Design, evolution and experience*, *J. Phys. Conf. Ser.* **331** (2011) 032023.
- [11] T. Sjöstrand, S. Mrenna and P. Skands, *A brief introduction to PYTHIA 8.1*, *Comput. Phys. Commun.* **178** (2008) 852 [[arXiv:0710.3820](#)].
- [12] GEANT4 collaboration, S. Agostinelli et al., *Geant4: A simulation toolkit*, *Nucl. Instrum. Meth. A* **506** (2003) 250.
- [13] GEANT4 collaboration, J. Allison et al., *Geant4 developments and applications*, *IEEE Trans. Nucl. Sci.* **53** (2006) 270.
- [14] C. Beigbeder-Beau, D. Breton, O. Callot, D. Charlet, O. Duarte, J. Lefrançois et al., *The LHCb calorimeter front-end crate*.
- [15] D. Breton and D. Charlet, *SPECS: the Serial Protocol for the Experiment Control System of LHCb*.
- [16] G. Haefeli, A. Bay, A. Gong, H. Gong, M. Muecke, N. Neufeld et al., *The LHCb DAQ interface board TELL1*, *Nucl. Instrum. Meth. A* **560** (2006) 494.